

Remsa [KITS]

Section		Page	
INDUSTRIAL	ATLAS	KITS	1
	HYDRO-LINE	KITS	19
	MILLER FLUID POWER	KITS	39
	PARKER	KITS	71
MOBILE	ATLAS COPCO	KITS	114
	BARKO	KITS	115
	BROKK	KITS	116
	CATERPILLAR	KITS	117
	CHAMPION	KITS	305
	CHARLYNN	KITS	305
	CLARK	KITS	306
	COMMERCIAL INTERTECH	KITS	308
	CROSS	KITS	310
	CUSTOM HOIST	KITS	311
	DEMAG	KITS	315
	DENHARCO	KITS	316
	DRILTECH	KITS	317
	DROTT	KITS	317
	EATON YALE - TIMBERJACK	KITS	317
	EIMCO JARVIS CLARK	KITS	318
	ELPHINSTONE	KITS	319
	ESCO	KITS	319
	EUCLID TRUCKS	KITS	319
	GROVE CRANE	KITS	321
	HANNA	KITS	325
	HEIL	KITS	325
	HIAB	KITS	330
	HITACHI	KITS	333
	HYCO	KITS	374
	HYSTER	KITS	387
	HYUNDAI	KITS	388
	HYVA	KITS	389
	INGERSOLL-RAND	KITS	389
	INTERNATIONAL HARVESTER	KITS	390
	JCB	KITS	391
	J.I.CASE	KITS	403
JOHN DEERE	KITS	443	
KATO	KITS	489	

All manufacturer's names, part numbers and descriptions are used for reference purposes only. We do not imply that any part shown is the product of these manufacturers.

Section		Page
MOBILE	KAWASAKI	KITS 490
	KOBELCO	KITS 490
	KOEHRING	KITS 501
	KOMATSU	KITS 502
	KRESS	KITS 550
	LEACH	KITS 550
	LETOURNEAU	KITS 551
	LIEBHERR	KITS 553
	LINK BELT	KITS 555
	LOGMAX	KITS 555
	mitsubishi	KITS 557
	PEABODY GALION	KITS 561
	PERFECTION-COBEY	KITS 562
	PIERCE PACIFIC	KITS 563
	P&H	KITS 563
	PRENTICE	KITS 564
	RAYGO WAGNER	KITS 571
	SAMSUNG	KITS 572
	SHEFFER	KITS 573
	TAMROK	KITS 573
	TAKEUCHI	KITS 574
	TEREX	KITS 576
	TIMBERJACK	KITS 578
	TOMPKINS-JOHNSON	KITS 581
	TOYOTA	KITS 582
	UNIT RIG	KITS 584
	VICKERS	KITS 584
	VOLVO-MICHIGAN-EUCLID	KITS 585
WARD	KITS 608	
YUTANI	KITS 609	
YOUNG	KITS 611	

All manufacturer's names, part numbers and descriptions are used for reference purposes only. We do not imply that any part shown is the product of these manufacturers.

INDEX BY INDUSTRY

INDUSTRIAL SEAL KITS

MOBILE SEAL KITS

INDEX

CONSTRUCTION EQUIPMENT		REFUSE EQUIPMENT	
CATERPILLAR	KITS 117	HEIL	KITS 325
CHAMPION	KITS 305	LEACH	KITS 550
CLARK	KITS 306	PEABODY-GALLION	KITS 561
DRILTECH	KITS 317		
DROTT	KITS 317	INDUSTRIAL CYLINDERS	
EIMCO JARVIS CLARK	KITS 318	ATLAS	KITS 1
ELPHINSTONE	KITS 319	HYDRO-LINE	KITS 19
EUCLID TRUCKS	KITS 319	MILLER FLUID POWER	KITS 39
GROVE CRANE	KITS 321	PARKER	KITS 71
HITACHI	KITS 333	VICKERS	KITS 584
HYUNDAI	KITS 388		
INGERSOLL-RAND	KITS 389	TELESCOPIC CYLINDERS	
INTERNATIONAL HARVESTER	KITS 390	COMMERCIAL INTERTECH	KITS 308
J.I. CASE	KITS 403	CUSTOM HOIST	KITS 311
JOHN DEERE	KITS 443	HEIL	KITS 325
KATO	KITS 489	HYCO	KITS 374
KOBELCO	KITS 490	PEABODY-GALION	KITS 561
KOEHRING	KITS 501	PERFECTION COBEY	KITS 562
KOMATSU	KITS 502	WARD	KITS 608
LETOURNEAU	KITS 551		
LIEBHERR	KITS 553	MISCELLANEOUS	
LINK BELT	KITS 555	CROSS	KITS 310
MITSUBISHI	KITS 557	HYSTER	KITS 387
P&H	KITS 563	TAMROK	KITS 573
PIERCE PACIFIC	KITS 563	UNIT RIG	KITS 584
SAMSUNG	KITS 572		
TEREX	KITS 576	PUMP & MOTOR PARTS	
VOLVO-MICHIGAN-EUCLID	KITS 585	CHARLYNN	KITS 305
YOUNG	KITS 611	COMMERCIAL INTERTECH	KITS 308
YUTANI	KITS 609	UNIT RIG	KITS 584
LOGGING EQUIPMENT		MINING EQUIPMENT	
BARKO	KITS 115	CATERPILLAR	KITS 117
CATERPILLAR	KITS 117	DEMAG	KITS 315
EATON YALE-TIMBERJACK	KITS 317	DRILTECH	KITS 317
ESCO	KITS 319	EIMCO JARVIS CLARK	KITS 318
J.I. CASE	KITS 403	ELPHINSTONE	KITS 319
JOHN DEERE	KITS 443	EUCLID TRUCKS	KITS 319
PRENTICE	KITS 564	HITACHI	KITS 333
RAYGO WAGNER	KITS 571	INGERSOLL-RAND	KITS 389
TIMBERJACK	KITS 578	INTERNATIONAL HARVESTER	KITS 390
		KATO	KITS 489
PUMP & MOTOR PARTS		KOBELCO	KITS 490
CHARLYNN	KITS 305	KOEHRING	KITS 501
COMMERCIAL INTERTECH	KITS 308	KOMATSU	KITS 502
		LETOURNEAU	KITS 551
CRANES, LOADERS, & PERSONNEL LIFTS		LIEBHERR	KITS 553
BARKO	KITS 115	LINK BELT	KITS 555
GROVE CRANE	KITS 321	P & H	KITS 563
HIAB	KITS 330	TAMROCK	KITS 573
HYUNDAI	KITS 388	TEREX	KITS 576
PRENTICE	KITS 564	UNIT RIG	KITS 584

All manufacturer's names, part numbers and descriptions are used for reference purposes only. We do not imply that any part shown is the product of these manufacturers.

PRODUCT RANGE

Cylinder Type	Duty	Series	Pressure rating	Specification
AIR CYLINDERS	LIGHT DUTY	APM CD CDM	150 PSI/10 BAR 250 PSI/17 BAR 250 PSI/17 BAR	ISO - METRIC
	HEAVY DUTY	A	250 PSI/17 BAR	JIC / NFPA INTERCHANGEABLE
HYDRAULIC CYLINDERS	MEDIUM DUTY	L	1000 PSI/70 BAR	JIC / NFPA INTERCHANGEABLE
	HEAVY DUTY	AHM	3000 PSI/200 BAR	ISO - METRIC

INDUSTRIAL
SEAL KITS

MOBILE
SEAL KITS

INDEX

Cylinder Type	Duty	Series	Page
AIR CYLINDERS	LIGHT DUTY	APM	KITS 4
		CD/CDM	KITS 6
	HEAVY DUTY	A	KITS 8
HYDRAULIC CYLINDERS	MEDIUM DUTY	L	KITS 10
	HEAVY DUTY	AHM	KITS 12

ATLAS

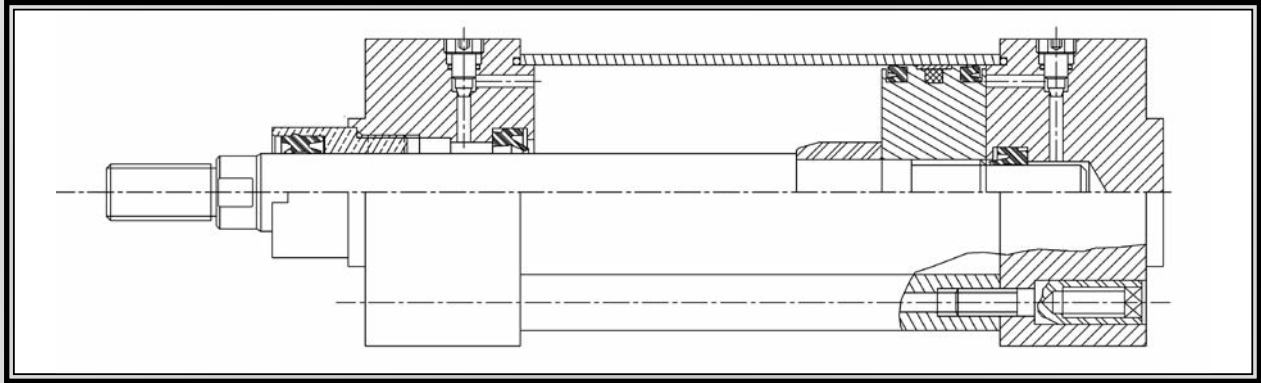
All manufacturer's names, part numbers and descriptions are used for reference purposes only. We do not imply that any part shown is the product of these manufacturers.

CYLINDERS

ATLAS

AIR CYLINDER - LIGHT DUTY

SERIES - "APM"

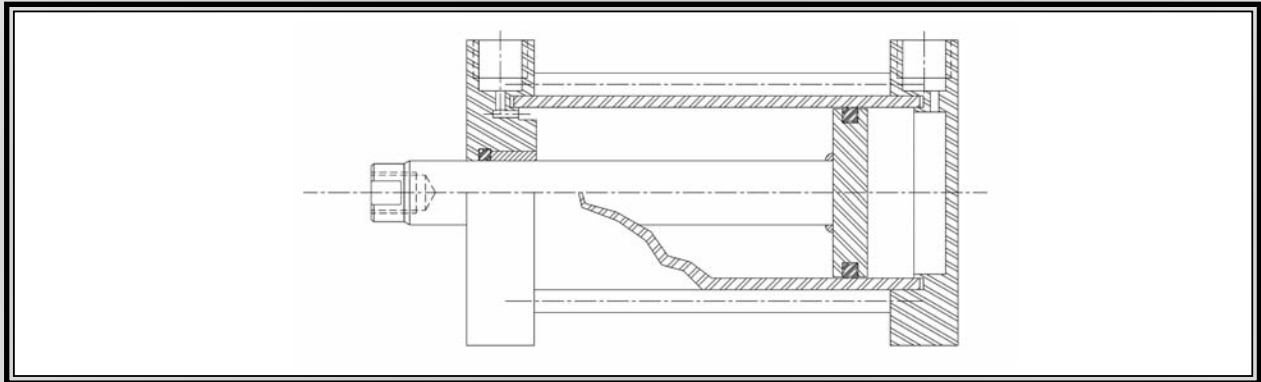


Temperature: **NBR -40/250F [-40/121C]**
FPM -5/400F [-21/204C]

Pressure: **150 PSI [10 BAR]**

AIR CYLINDER - LIGHT DUTY

SERIES - "CD/CDM"

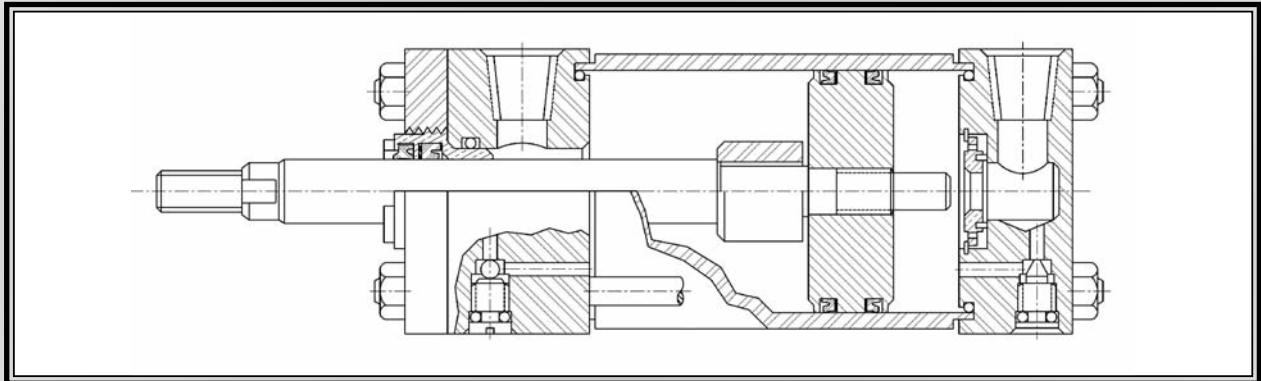


Temperature: **NBR -40/250F [-40/121C]**
FPM -5/400F [-21/204C]

Pressure: **250 PSI [17 BAR]**

AIR CYLINDER - HEAVY DUTY

SERIES - "A"



Temperature: **NBR -40/250F [-40/121C]**
FPM -5/400F [-21/204C]

Pressure: **150 PSI [10 BAR]**

All manufacturer's names, part numbers and descriptions are used for reference purposes only. We do not imply that any part shown is the product of these manufacturers.

INDUSTRIAL
SEAL KITS

MOBILE
SEAL KITS

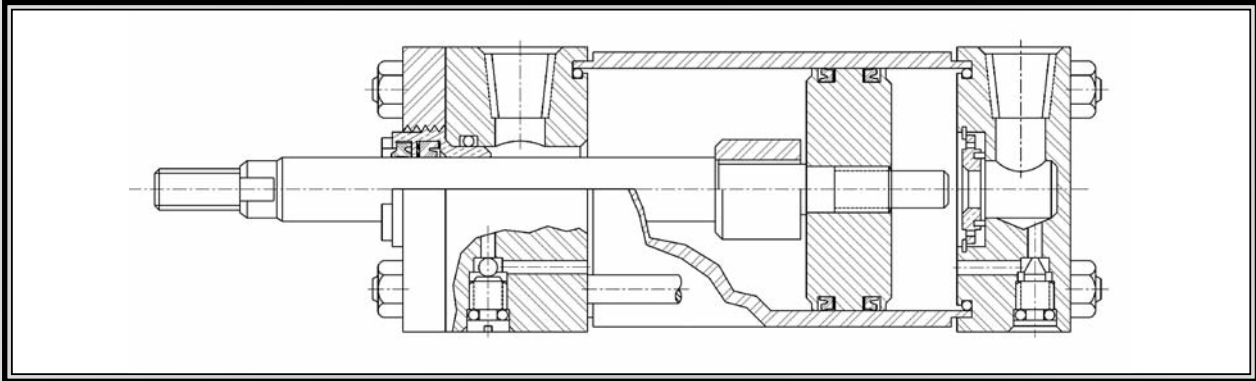
ATLAS

ATLAS

CYLINDERS

HYDRAULIC CYLINDER - MEDIUM DUTY

SERIES - "L"

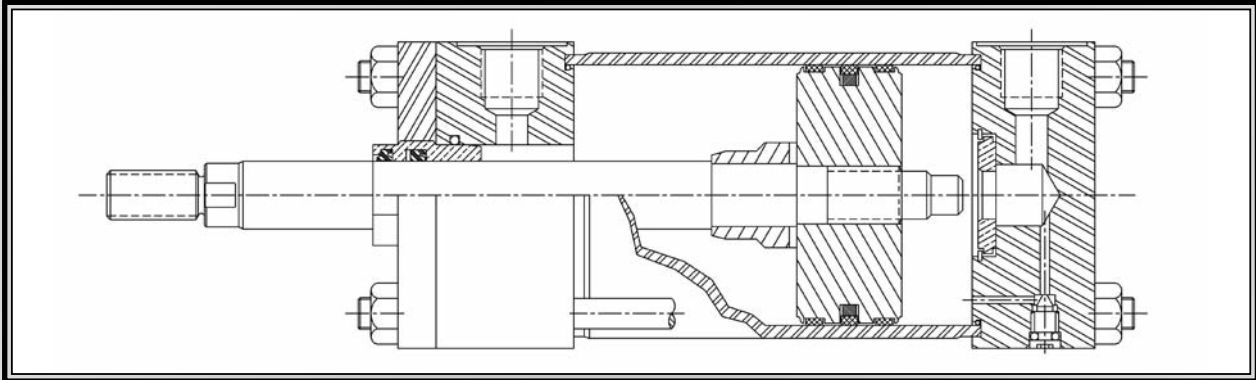


Temperature: **NBR -40/250F [-40/121C]**
FPM -5/400F [-21/204C]

Pressure: **1000 PSI [70 BAR]**

HYDRAULIC CYLINDER - HEAVY DUTY

SERIES - "AHM"



Temperature: **NBR -40/250F [-40/121C]**
FPM -5/400F [-21/204C]

Pressure: **3000 PSI [200 BAR]**

INDUSTRIAL
SEAL KITS

MOBILE
SEAL KITS

ATLAS

All manufacturer's names, part numbers and descriptions are used for reference purposes only. We do not imply that any part shown is the product of these manufacturers.

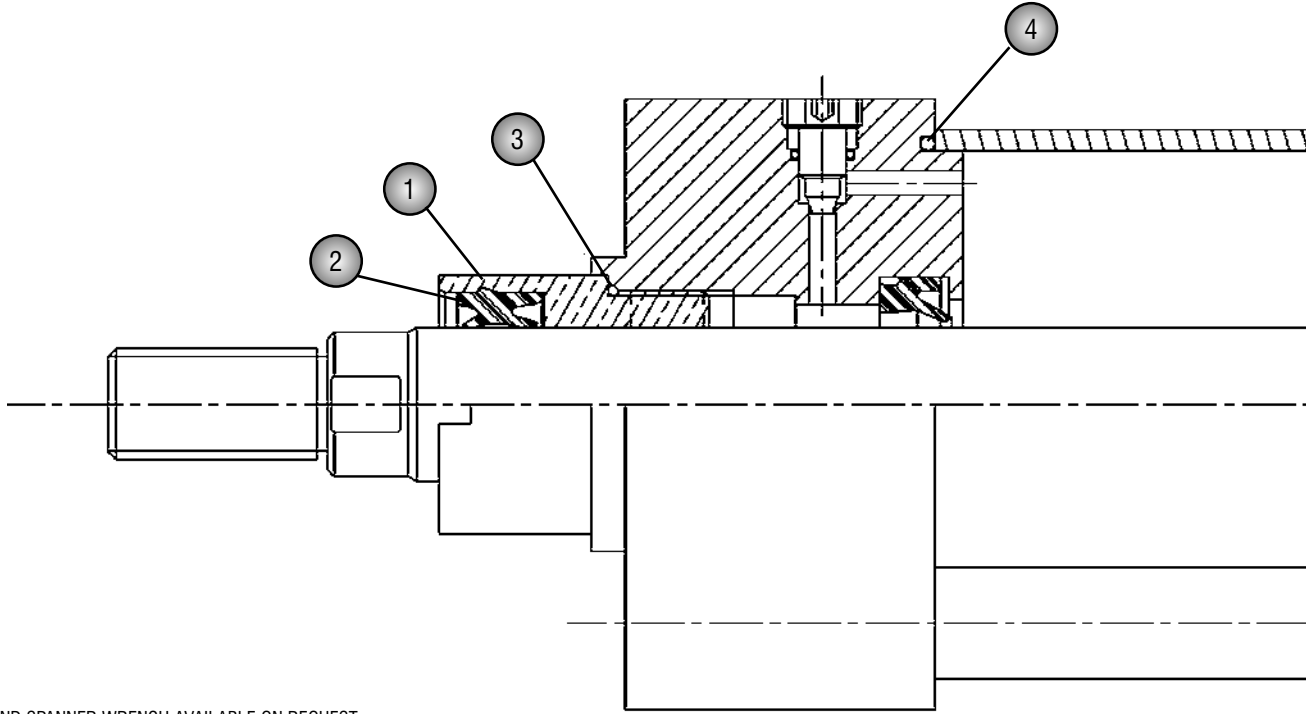
Remsa [KITS]

APM
SERIES

**AIR CYLINDER
LIGHT DUTY**

**INDUSTRIAL
SEAL KITS**

**MOBILE
SEAL KITS**



* GLAND WRENCH AND SPANNER WRENCH AVAILABLE ON REQUEST

GLAND CARTRIDGE KITS - NBR (1-2-3)*

Rod	Bore	Ref. Number	\$
12.00		RATL-RGOMP00121	37.11
16.00		RATL-RGOMP00161	42.25
20.00		RATL-RGOMP00201	57.77
25.00		RATL-RGOMP00251	109.86
32.00		RATL-RGOMP00321	114.55
40.00		RATL-RGOMP00401	131.46

ROD SEAL KITS - NBR (2-3)*

Rod	Bore	Ref. Number	\$
12.00		RATL-RKOMP00121	20.21
16.00		RATL-RKOMP00161	21.60
20.00		RATL-RKOMP00201	23.47
25.00		RATL-RKOMP00251	65.73
32.00		RATL-RKOMP00321	71.85
40.00		RATL-RKOMP00401	78.10

GLAND CARTRIDGE KITS - FPM (1-2-3)*

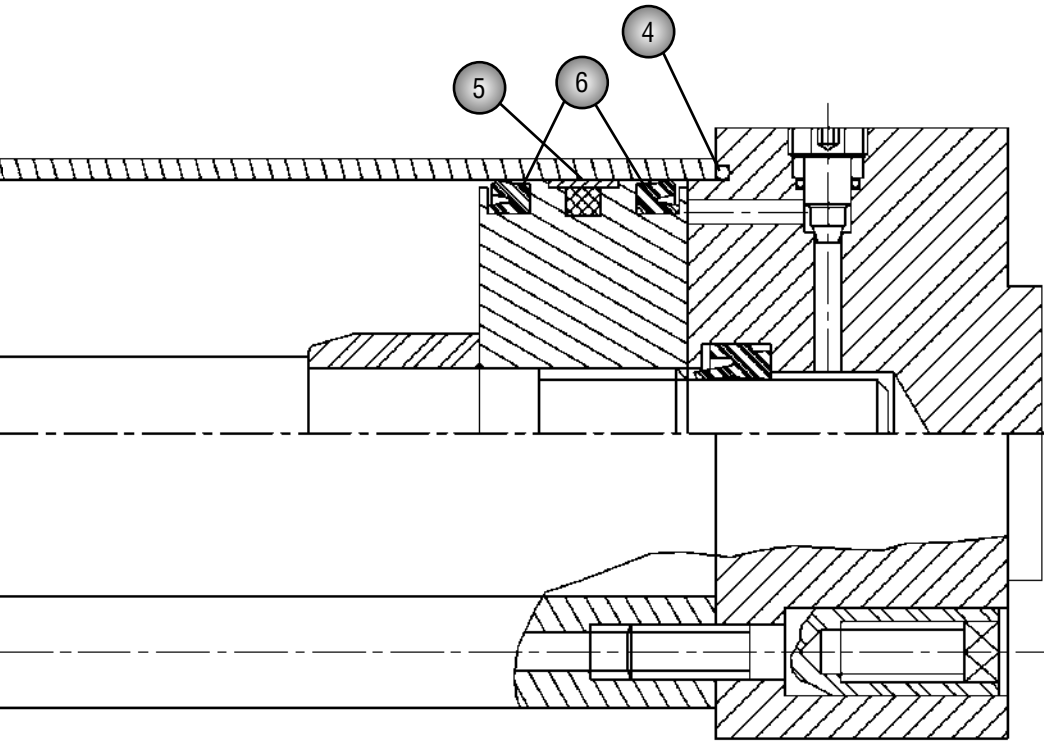
Rod	Bore	Ref. Number	\$
12.00		RATL-RGOMP00125	71.36
16.00		RATL-RGOMP00165	79.36
20.00		RATL-RGOMP00205	95.78
25.00		RATL-RGOMP00255	145.54
32.00		RATL-RGOMP00325	157.01
40.00		RATL-RGOMP00405	186.86

ROD SEAL KITS - FPM (2-3)*

Rod	Bore	Ref. Number	\$
12.00		RATL-RKOMP00125	27.72
16.00		RATL-RKOMP00165	28.66
20.00		RATL-RKOMP00205	36.17
25.00		RATL-RKOMP00255	91.57
32.00		RATL-RKOMP00325	92.02
40.00		RATL-RKOMP00405	117.37

All manufacturer's names, part numbers and descriptions are used for reference purposes only. We do not imply that any part shown is the product of these manufacturers.

ATLAS



COMPONENTS

- 1-GLAND CARTRIDGE
- 2-ROD SEAL / WIPER
- 3-O-RING
- 4-BODY END - O-RING
- 5-GUIDING ELEMENT
- 6-PISTON SEALS

** MAGNETIC RING AVAILABLE ON REQUEST

PISTON SEAL KITS - NBR (4-5-6)**

Rod	Bore	Ref. Number	\$
	32.00	RATL-PK032MP001	26.29
	40.00	RATL-PK040MP001	26.78
	50.00	RATL-PK050MP001	27.72
	63.00	RATL-PK063MP001	29.11
	80.00	RATL-PK080MP001	34.74
	100.00	RATL-PK100MP001	46.01
	125.00	RATL-PK125MP001	55.89
	160.00	RATL-PK160MP001	62.91
	200.00	RATL-PK200MP001	76.55

CYLINDER BODY END KITS - NBR (4)

Rod	Bore	Ref. Number	\$
	32.00	RATL-CB032MP001	5.51
	40.00	RATL-CB040MP001	5.63
	50.00	RATL-CB050MP001	5.76
	63.00	RATL-CB063MP001	6.33
	80.00	RATL-CB080MP001	6.94
	100.00	RATL-CB100MP001	7.55
	125.00	RATL-CB125MP001	8.98
	160.00	RATL-CB160MP001	12.04
	200.00	RATL-CB200MP001	14.90

PISTON SEAL KITS - FPM (4-5-6)**

Rod	Bore	Ref. Number	\$
	32.00	RATL-PK032MP005	52.58
	40.00	RATL-PK040MP005	62.46
	50.00	RATL-PK050MP005	70.42
	63.00	RATL-PK063MP005	81.69
	80.00	RATL-PK080MP005	106.96
	100.00	RATL-PK100MP005	116.43
	125.00	RATL-PK125MP005	144.60
	160.00	RATL-PK160MP005	171.83
	200.00	RATL-PK200MP005	246.95

CYLINDER BODY END KITS - FPM (4)

Rod	Bore	Ref. Number	\$
	32.00	RATL-CB032MP005	6.33
	40.00	RATL-CB040MP005	6.57
	50.00	RATL-CB050MP005	7.14
	63.00	RATL-CB063MP005	7.55
	80.00	RATL-CB080MP005	8.78
	100.00	RATL-CB100MP005	9.59
	125.00	RATL-CB125MP005	15.11
	160.00	RATL-CB160MP005	15.92
	200.00	RATL-CB200MP005	22.25

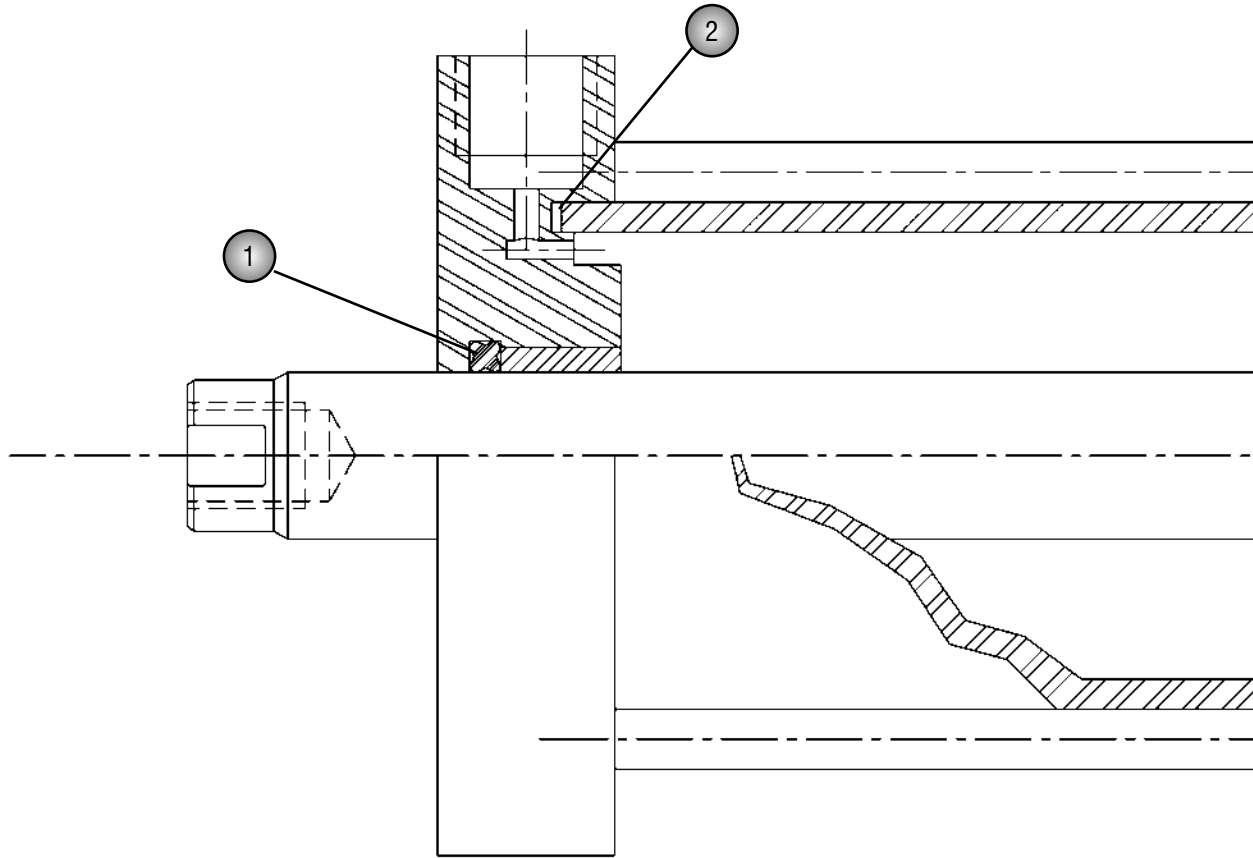
All manufacturer's names, part numbers and descriptions are used for reference purposes only. We do not imply that any part shown is the product of these manufacturers.

CD/CDM S E R I E S

AIR CYLINDER LIGHT DUTY

INDUSTRIAL
SEAL KITS

MOBILE
SEAL KITS



* SINGLE ROD SEAL KITS CONTAIN SEALS TO REPAIR SINGLE AND DOUBLE ROD CYLINDERS.
WHEN REPAIRING A SINGLE ROD CYLINDER, ONE ROD SEAL WILL NOT BE USED.

“CD” COMPLETE SEAL KITS - NBR (1-2-3)*

Rod	Bore	Ref. Number	\$
0.250	0.562	RATL-SKS05CD251	8.57
0.312	0.750	RATL-SKS07CD311	8.94
0.500	1.125	RATL-SKS12CD501	9.10
0.625	1.500	RATL-SKS15CD621	10.04
0.750	2.000	RATL-SKS20CD751	11.27
0.750	2.500	RATL-SKS25CD751	12.21
0.875	3.000	RATL-SKS30CD781	21.15
1.000	4.000	RATL-SKS40CD101	25.84

“CD” COMPLETE SEAL KITS - FPM (1-2-3)*

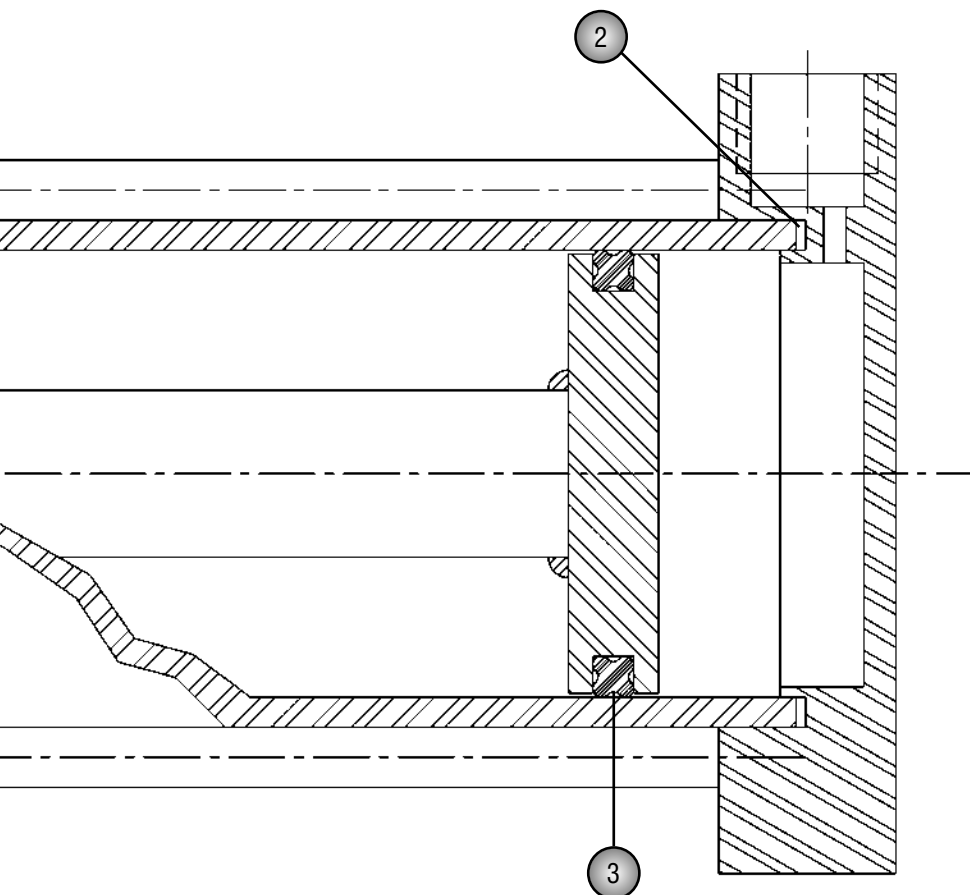
Rod	Bore	Ref. Number	\$
0.250	0.562	RATL-SKS05CD255	19.27
0.312	0.750	RATL-SKS07CD315	21.15
0.500	1.125	RATL-SKS12CD505	22.54
0.625	1.500	RATL-SKS15CD625	27.72
0.750	2.000	RATL-SKS20CD755	29.11
0.750	2.500	RATL-SKS25CD755	38.50
0.875	3.000	RATL-SKS30CD785	70.91
1.000	4.000	RATL-SKS40CD105	83.12

All manufacturer's names, part numbers and descriptions are used for reference purposes only. We do not imply that any part shown is the product of these manufacturers.

ATLAS

COMPONENTS

- 1-ROD SEAL
- 2-TUBE END SEAL
- 3-PISTON SEAL



**INDUSTRIAL
SEAL KITS**

**MOBILE
SEAL KITS**

ATLAS

“CDM” COMPLETE SEAL KITS - NBR (1-2-3)*

Rod	Bore	Ref. Number	\$
0.250	0.562	RATL-KS05CDL251	26.29
0.312	0.750	RATL-KS07CDL311	26.78
0.500	1.125	RATL-KS12CDL501	29.60
0.625	1.500	RATL-KS15CDL621	30.99
0.750	2.000	RATL-KS20CDL751	32.86
0.750	2.500	RATL-KS25CDL751	26.78
0.875	3.000	RATL-KS30CDL781	38.99
1.000	4.000	RATL-KS40CDL101	42.74

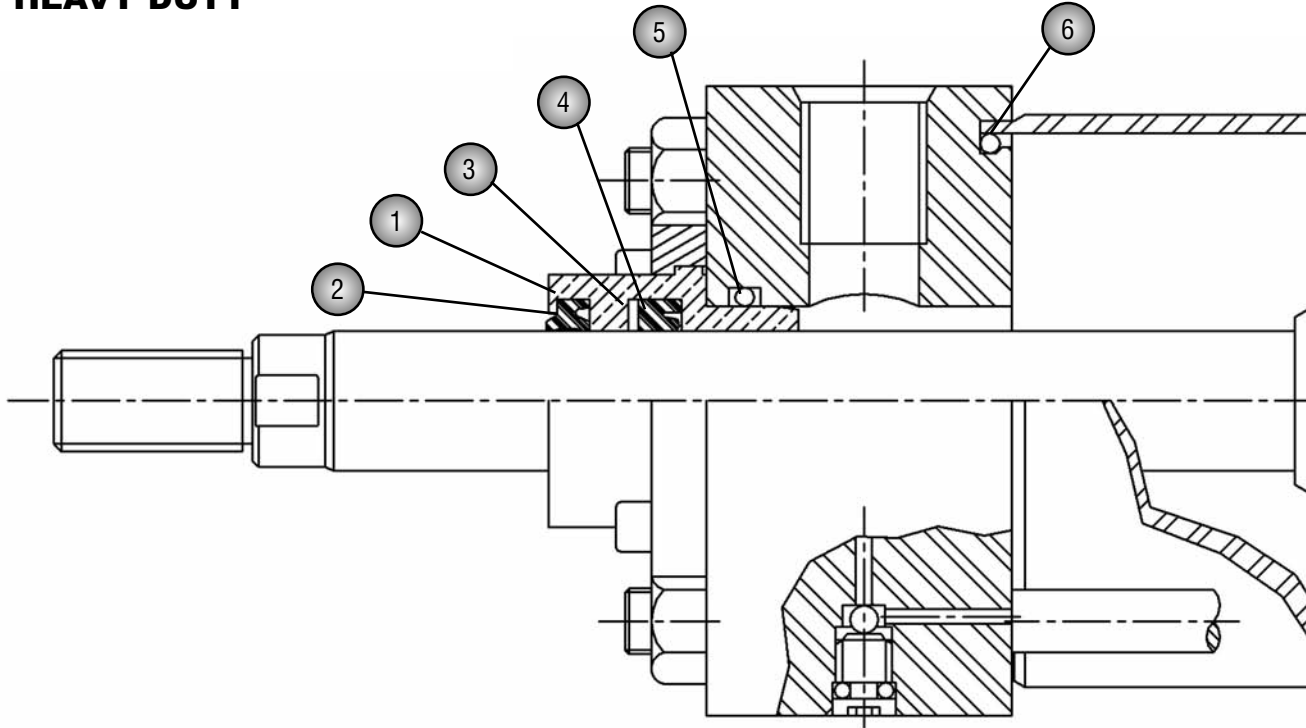
“CDM” COMPLETE SEAL KITS - FPM (1-2-3)*

Rod	Bore	Ref. Number	\$
0.250	0.562	RATL-KS05CDL255	54.95
0.312	0.750	RATL-KS07CDL315	56.83
0.500	1.125	RATL-KS12CDL505	60.09
0.625	1.500	RATL-KS15CDL625	76.55
0.750	2.000	RATL-KS20CDL755	95.78
0.750	2.500	RATL-KS25CDL755	107.04
0.875	3.000	RATL-KS30CDL785	169.02
1.000	4.000	RATL-KS40CDL105	188.73

All manufacturer's names, part numbers and descriptions are used for reference purposes only. We do not imply that any part shown is the product of these manufacturers.

Remsa [KITS]

AIR CYLINDER HEAVY DUTY SERIES



GLAND CARTRIDGE KITS - NBR (1-2-3-4-5)

Rod	Bore	Ref. Number	\$
0.625		RATL-5A06R000S	O/R
1.000		RATL-5A10R000S	O/R
1.375		RATL-5A13R000S	137.42
1.750		RATL-5A17R000S	170.25
2.000		RATL-5A20R000S	O/R
2.500		RATL-5A25R000S	O/R
3.000		RATL-5A30R000S	O/R
3.500		RATL-5A35R000S	O/R
4.000		RATL-5A40R000S	O/R
4.500		RATL-5A45R000S	O/R
5.000		RATL-5A50R000S	O/R
5.500		RATL-5A55R000S	O/R

ROD SEAL KITS - NBR (2-3-4-5)

Rod	Bore	Ref. Number	\$
0.625		RATL-5A06S000S	7.96
1.000		RATL-5A10S000S	8.37
1.375		RATL-5A13S000S	8.98
1.750		RATL-5A17S000S	11.43
2.000		RATL-5A20S000S	13.06
2.500		RATL-5A25S000S	17.15
3.000		RATL-5A30S000S	30.82
3.500		RATL-5A35S000S	46.54
4.000		RATL-5A40S000S	54.50
4.500		RATL-5A45S000S	61.65
5.000		RATL-5A50S000S	76.34
5.500		RATL-5A55S000S	81.24

GLAND CARTRIDGE KITS - FPM (1-2-3-4-5)

Rod	Bore	Ref. Number	\$
0.625		RATL-5A06R000V	O/R
1.000		RATL-5A10R000V	O/R
1.375		RATL-5A13R000V	205.15
1.750		RATL-5A17R000V	O/R
2.000		RATL-5A20R000V	O/R
2.500		RATL-5A25R000V	O/R
3.000		RATL-5A30R000V	O/R
3.500		RATL-5A35R000V	O/R
4.000		RATL-5A40R000V	O/R
4.500		RATL-5A45R000V	O/R
5.000		RATL-5A50R000V	O/R
5.500		RATL-5A55R000V	O/R

ROD SEAL KITS - FPM (2-3-4-5)

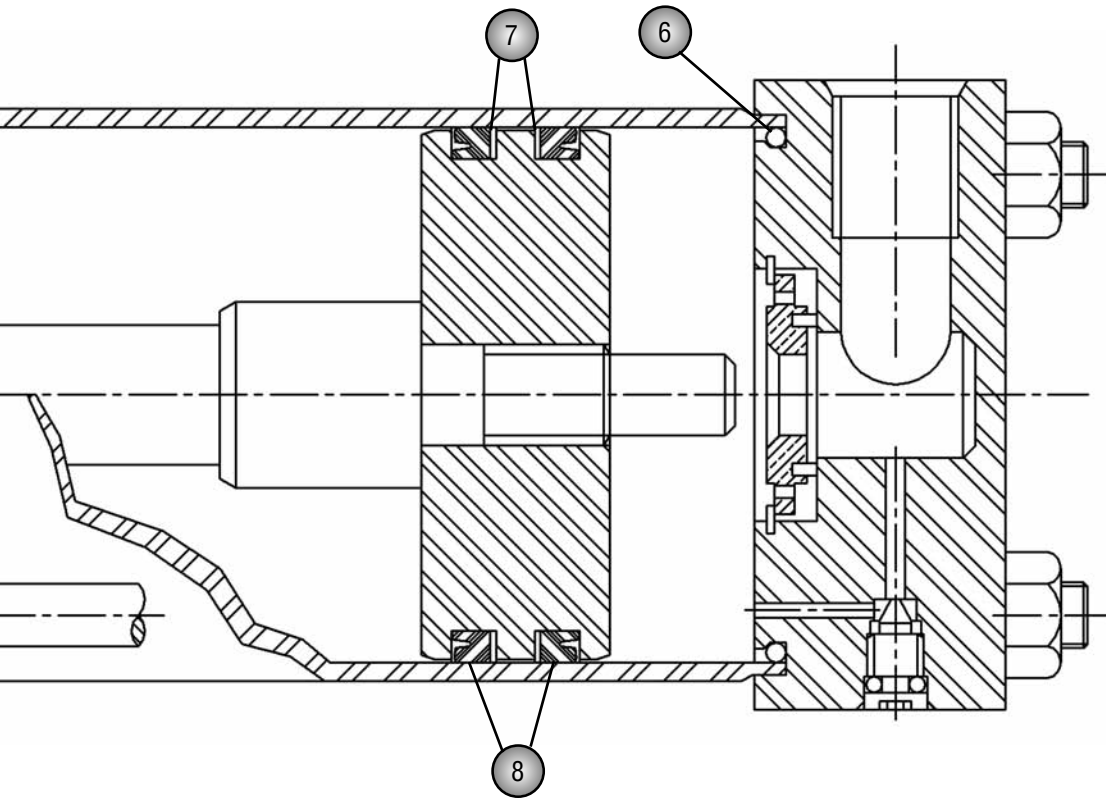
Rod	Bore	Ref. Number	\$
0.625		RATL-5A06S000V	28.50
1.000		RATL-5A10S000V	28.58
1.375		RATL-5A13S000V	29.72
1.750		RATL-5A17S000V	31.48
2.000		RATL-5A20S000V	33.97
2.500		RATL-5A25S000V	40.34
3.000		RATL-5A30S000V	47.52
3.500		RATL-5A35S000V	61.89
4.000		RATL-5A40S000V	90.35
4.500		RATL-5A45S000V	111.13
5.000		RATL-5A50S000V	143.46
5.500		RATL-5A55S000V	178.98

All manufacturer's names, part numbers and descriptions are used for reference purposes only. We do not imply that any part shown is the product of these manufacturers.

INDUSTRIAL
SEAL KITS

MOBILE
SEAL KITS

ATLAS



COMPONENTS

- 1-GLAND CARTRIDGE
- 2-ROD WIPER
- 3-BACK-UP RING
- 4-ROD SEAL
- 5-O-RING
- 6-BODY END - O-RING
- 7-BACK-UP RING
- 8-PISTON SEALS

PISTON LIPSEAL KITS - NBR (6-7-8)

Rod	Bore	Ref. Number	\$
	1.500	RATL-5B00S015S	7.19
	2.000	RATL-5B00S020S	8.45
	2.500	RATL-5B00S025S	9.76
	3.250	RATL-5B00S032S	12.13
	4.000	RATL-5B00S040S	15.92
	5.000	RATL-5B00S050S	18.58
	6.000	RATL-5B00S060S	24.17
	7.000	RATL-5B00S070S	60.18
	8.000	RATL-5B00S080S	70.06
	10.000	RATL-5B00S100S	103.78
	12.000	RATL-5B00S120S	140.97
	14.000	RATL-5B00S140S	218.05

CYLINDER BODY END KITS - NBR (6)

Rod	Bore	Ref. Number	\$
	1.500	RATL-5E00S015S	4.49
	2.000	RATL-5E00S020S	4.74
	2.500	RATL-5E00S025S	4.98
	3.250	RATL-5E00S032S	5.23
	4.000	RATL-5E00S040S	5.43
	5.000	RATL-5E00S050S	6.29
	6.000	RATL-5E00S060S	7.47
	7.000	RATL-5E00S070S	8.04
	8.000	RATL-5E00S080S	9.10
	10.000	RATL-5E00S100S	11.10
	12.000	RATL-5E00S120S	12.49
	14.000	RATL-5E00S140S	14.29

PISTON LIPSEAL KITS - FPM (6-7-8)

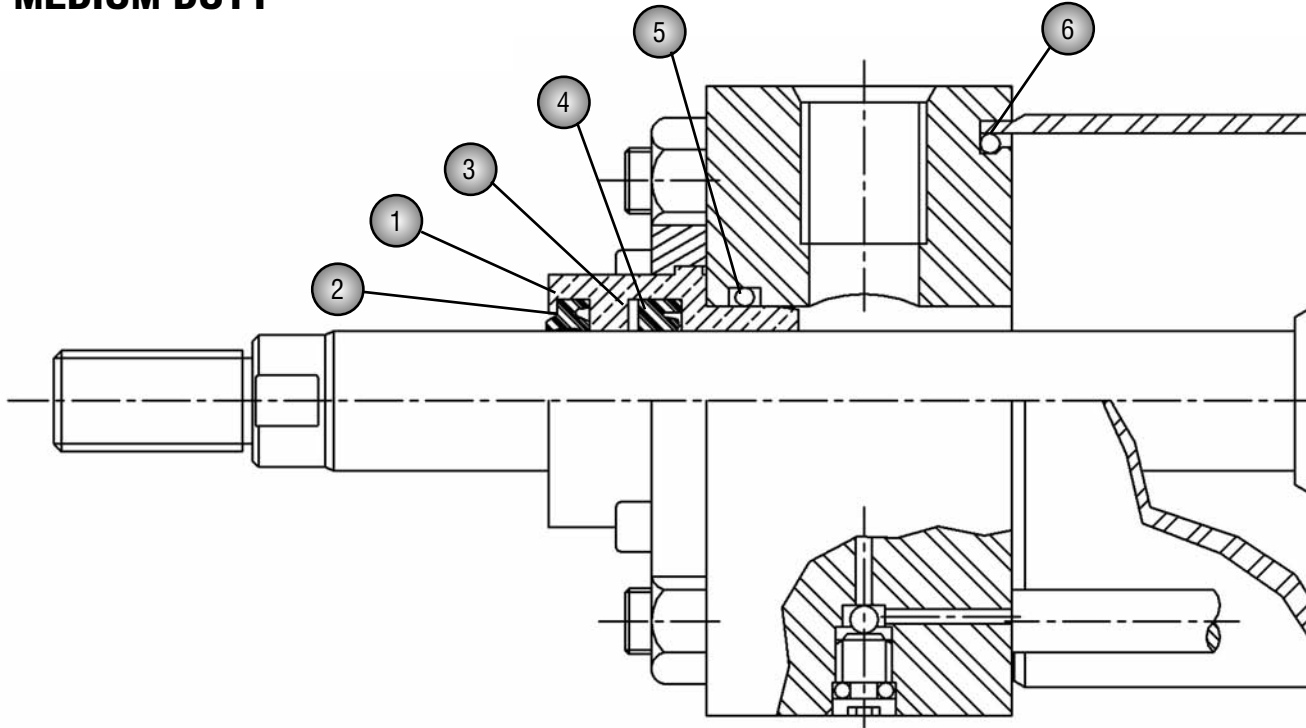
Rod	Bore	Ref. Number	\$
	1.500	RATL-5B00S015V	32.58
	2.000	RATL-5B00S020V	37.19
	2.500	RATL-5B00S025V	52.17
	3.250	RATL-5B00S032V	60.87
	4.000	RATL-5B00S040V	65.61
	5.000	RATL-5B00S050V	83.24
	6.000	RATL-5B00S060V	110.64
	7.000	RATL-5B00S070V	175.38
	8.000	RATL-5B00S080V	239.81
	10.000	RATL-5B00S100V	304.39
	12.000	RATL-5B00S120V	467.57
	14.000	RATL-5B00S140V	763.92

CYLINDER BODY END KITS - FPM (6)

Rod	Bore	Ref. Number	\$
	1.500	RATL-5E00S015V	7.10
	2.000	RATL-5E00S020V	10.53
	2.500	RATL-5E00S025V	13.23
	3.250	RATL-5E00S032V	15.96
	4.000	RATL-5E00S040V	19.96
	5.000	RATL-5E00S050V	28.82
	6.000	RATL-5E00S060V	30.13
	7.000	RATL-5E00S070V	43.23
	8.000	RATL-5E00S080V	44.01
	10.000	RATL-5E00S100V	48.75
	12.000	RATL-5E00S120V	54.95
	14.000	RATL-5E00S140V	62.05

All manufacturer's names, part numbers and descriptions are used for reference purposes only. We do not imply that any part shown is the product of these manufacturers.

L SERIES HYDRAULIC CYLINDER MEDIUM DUTY



GLAND CARTRIDGE KITS - NBR (1-2-3-4-5)

Rod	Bore	Ref. Number	\$
0.625		RATL-4A06R000S	76.22
1.000		RATL-4A10R000S	89.69
1.375		RATL-4A13R000S	107.43
1.750		RATL-4A17R000S	126.65
2.000		RATL-4A20R000S	148.58
2.500		RATL-4A25R000S	169.01
3.000		RATL-4A30R000S	208.75
3.500		RATL-4A35R000S	0.00
4.000		RATL-4A40R000S	0.00
4.500		RATL-4A45R000S	0.00
5.000		RATL-4A50R000S	0.00
5.500		RATL-4A55R000S	0.00

ROD SEAL KITS - NBR (2-3-4-5)

Rod	Bore	Ref. Number	\$
0.625		RATL-4A06S000S	8.69
1.000		RATL-4A10S000S	8.70
1.375		RATL-4A13S000S	8.91
1.750		RATL-4A17S000S	11.23
2.000		RATL-4A20S000S	12.55
2.500		RATL-4A25S000S	17.08
3.000		RATL-4A30S000S	24.39
3.500		RATL-4A35S000S	26.69
4.000		RATL-4A40S000S	28.65
4.500		RATL-4A45S000S	34.98
5.000		RATL-4A50S000S	40.78
5.500		RATL-4A55S000S	81.24

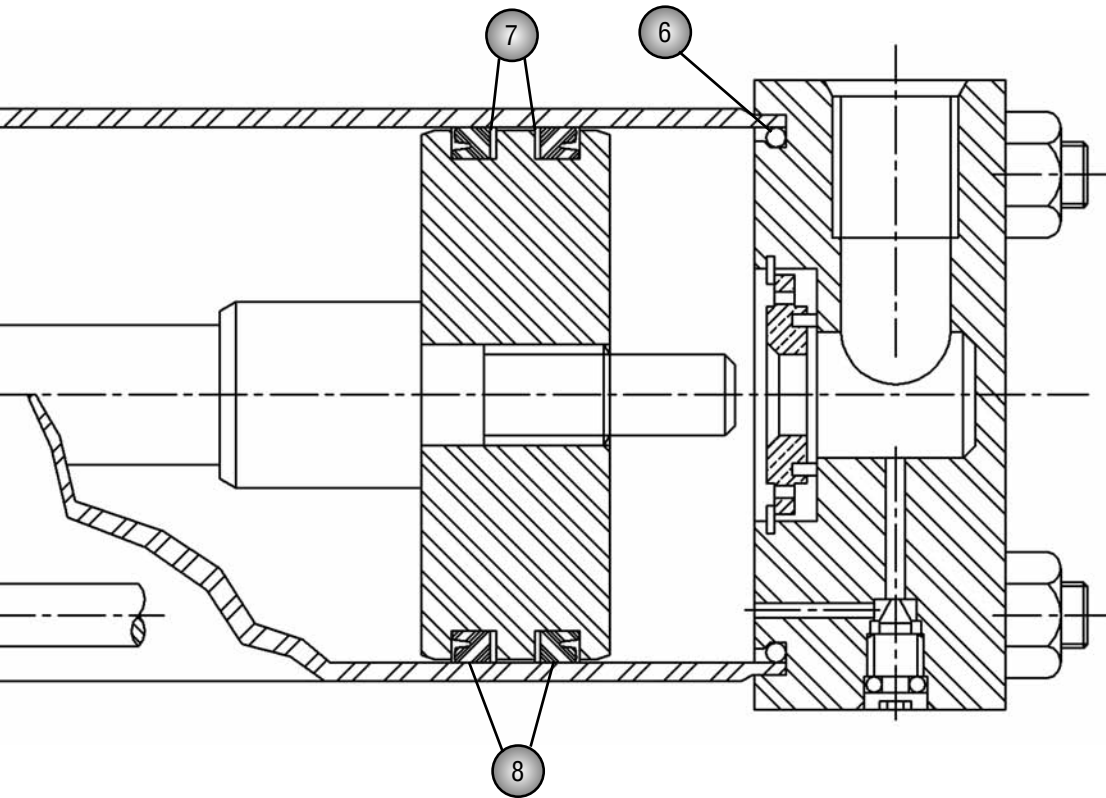
GLAND CARTRIDGE KITS - FPM (1-2-3-4-5)

Rod	Bore	Ref. Number	\$
0.625		RATL-4A06R000V	101.21
1.000		RATL-4A10R000V	118.92
1.375		RATL-4A13R000V	122.74
1.750		RATL-4A17R000V	145.98
2.000		RATL-4A20R000V	170.85
2.500		RATL-4A25R000V	203.31
3.000		RATL-4A30R000V	246.16
3.500		RATL-4A35R000V	0.00
4.000		RATL-4A40R000V	0.00
4.500		RATL-4A45R000V	0.00
5.000		RATL-4A50R000V	0.00
5.500		RATL-4A55R000V	0.00

ROD SEAL KITS - FPM (2-3-4-5)

Rod	Bore	Ref. Number	\$
0.625		RATL-4A06S000V	24.13
1.000		RATL-4A10S000V	24.87
1.375		RATL-4A13S000V	26.17
1.750		RATL-4A17S000V	29.33
2.000		RATL-4A20S000V	30.54
2.500		RATL-4A25S000V	38.62
3.000		RATL-4A30S000V	45.35
3.500		RATL-4A35S000V	56.38
4.000		RATL-4A40S000V	86.29
4.500		RATL-4A45S000V	97.31
5.000		RATL-4A50S000V	130.87
5.500		RATL-4A55S000V	178.98

All manufacturer's names, part numbers and descriptions are used for reference purposes only. We do not imply that any part shown is the product of these manufacturers.



- COMPONENTS**
- 1-GLAND CARTRIDGE
 - 2-ROD WIPER
 - 3-BACK-UP RING
 - 4-ROD SEAL
 - 5-O-RING
 - 6-BODY END - O-RING
 - 7-BACK-UP RING
 - 8-PISTON SEALS

**INDUSTRIAL
SEAL KITS**

**MOBILE
SEAL KITS**

PISTON LIPSEAL KITS - NBR (6-7-8)

Rod	Bore	Ref. Number	\$
	1.500	RATL-4B00S015S	7.00
	2.000	RATL-4B00S020S	8.35
	2.500	RATL-4B00S025S	9.56
	3.250	RATL-4B00S032S	11.59
	4.000	RATL-4B00S040S	14.78
	5.000	RATL-4B00S050S	17.89
	6.000	RATL-4B00S060S	23.24
	7.000	RATL-4B00S070S	64.81
	8.000	RATL-4B00S080S	73.52
	10.000	RATL-4B00S100S	104.67
	12.000	RATL-4B00S120S	141.65
	14.000	RATL-4B00S140S	219.31

CYLINDER BODY END KITS - NBR (6)

Rod	Bore	Ref. Number	\$
	1.500	RATL-4E00S015S	4.06
	2.000	RATL-4E00S020S	4.31
	2.500	RATL-4E00S025S	4.81
	3.250	RATL-4E00S032S	4.88
	4.000	RATL-4E00S040S	5.12
	5.000	RATL-4E00S050S	5.98
	6.000	RATL-4E00S060S	7.40
	7.000	RATL-4E00S070S	7.50
	8.000	RATL-4E00S080S	9.14
	10.000	RATL-4E00S100S	10.59
	12.000	RATL-4E00S120S	12.22
	14.000	RATL-4E00S140S	61.82

PISTON LIPSEAL KITS - FPM (6-7-8)

Rod	Bore	Ref. Number	\$
	1.500	RATL-4B00S015V	32.15
	2.000	RATL-4B00S020V	36.76
	2.500	RATL-4B00S025V	50.93
	3.250	RATL-4B00S032V	54.69
	4.000	RATL-4B00S040V	64.85
	5.000	RATL-4B00S050V	80.43
	6.000	RATL-4B00S060V	110.60
	7.000	RATL-4B00S070V	199.99
	8.000	RATL-4B00S080V	241.11
	10.000	RATL-4B00S100V	334.14
	12.000	RATL-4B00S120V	518.64
	14.000	RATL-4B00S140V	764.55

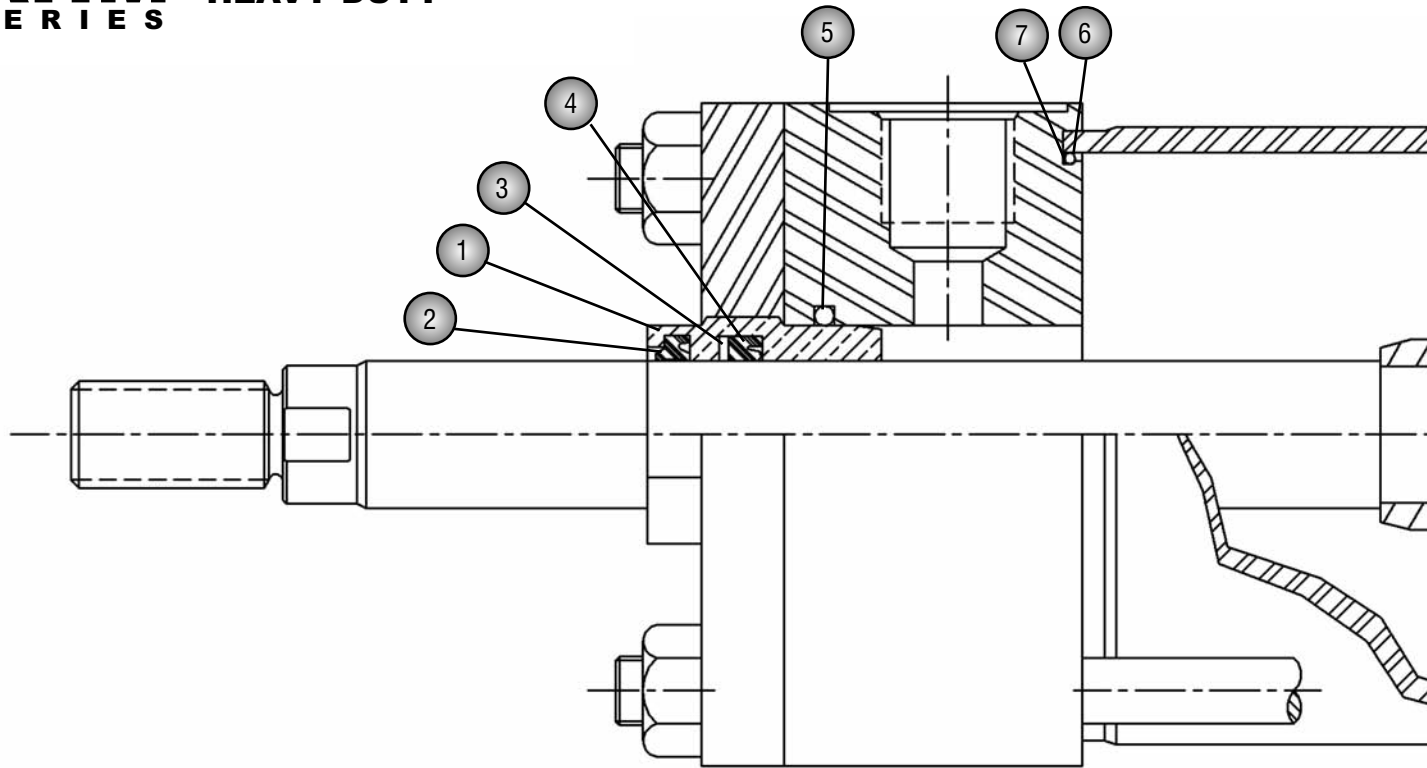
CYLINDER BODY END KITS - FPM (6)

Rod	Bore	Ref. Number	\$
	1.500	RATL-4E00S015V	5.83
	2.000	RATL-4E00S020V	9.92
	2.500	RATL-4E00S025V	13.00
	3.250	RATL-4E00S032V	15.17
	4.000	RATL-4E00S040V	19.54
	5.000	RATL-4E00S050V	27.50
	6.000	RATL-4E00S060V	29.01
	7.000	RATL-4E00S070V	41.00
	8.000	RATL-4E00S080V	41.12
	10.000	RATL-4E00S100V	45.80
	12.000	RATL-4E00S120V	55.22
	14.000	RATL-4E00S140V	110.87

All manufacturer's names, part numbers and descriptions are used for reference purposes only. We do not imply that any part shown is the product of these manufacturers.

ATLAS

AHM SERIES HYDRAULIC CYLINDER HEAVY DUTY



GLAND CARTRIDGE KITS - NBR (1-2-3-4-5)

Rod	Bore	Ref. Number	\$
12.00		RATL-B732/944	126.76
14.00		RATL-B732/945	127.37
18.00		RATL-B732/946	127.70
22.00		RATL-B732/947	135.01
28.00		RATL-B732/948	143.66
36.00		RATL-B732/949	169.02
45.00		RATL-B732/950	211.27
56.00		RATL-B732/951	239.44
70.00		RATL-B732/952	265.73
90.00		RATL-B732/953	313.62
110.00		RATL-B732/954	650.71
140.00		RATL-B732/955	706.11

ROD SEAL KITS - NBR (2-3-4-5)

Rod	Bore	Ref. Number	\$
12.00		RATL-B732/966	49.77
14.00		RATL-B732/967	51.40
18.00		RATL-B732/968	51.89
22.00		RATL-B732/969	53.52
28.00		RATL-B732/970	54.91
36.00		RATL-B732/971	58.67
45.00		RATL-B732/972	61.52
56.00		RATL-B732/973	62.91
70.00		RATL-B732/974	77.00
90.00		RATL-B732/975	103.29
110.00		RATL-B732/976	117.37
140.00		RATL-B732/977	141.79

GLAND CARTRIDGE KITS - FPM (1-2-3-4-5)

Rod	Bore	Ref. Number	\$
12.00		RATL-B732/1100	134.27
14.00		RATL-B732/1101	138.03
18.00		RATL-B732/1102	142.72
22.00		RATL-B732/1103	145.54
28.00		RATL-B732/1104	215.96
36.00		RATL-B732/1105	241.32
45.00		RATL-B732/1106	342.73
56.00		RATL-B732/1107	416.90
70.00		RATL-B732/1108	418.78
90.00		RATL-B732/1109	433.81
110.00		RATL-B732/1110	787.80
140.00		RATL-B732/1111	868.55

ROD SEAL KITS - FPM (2-3-4-5)

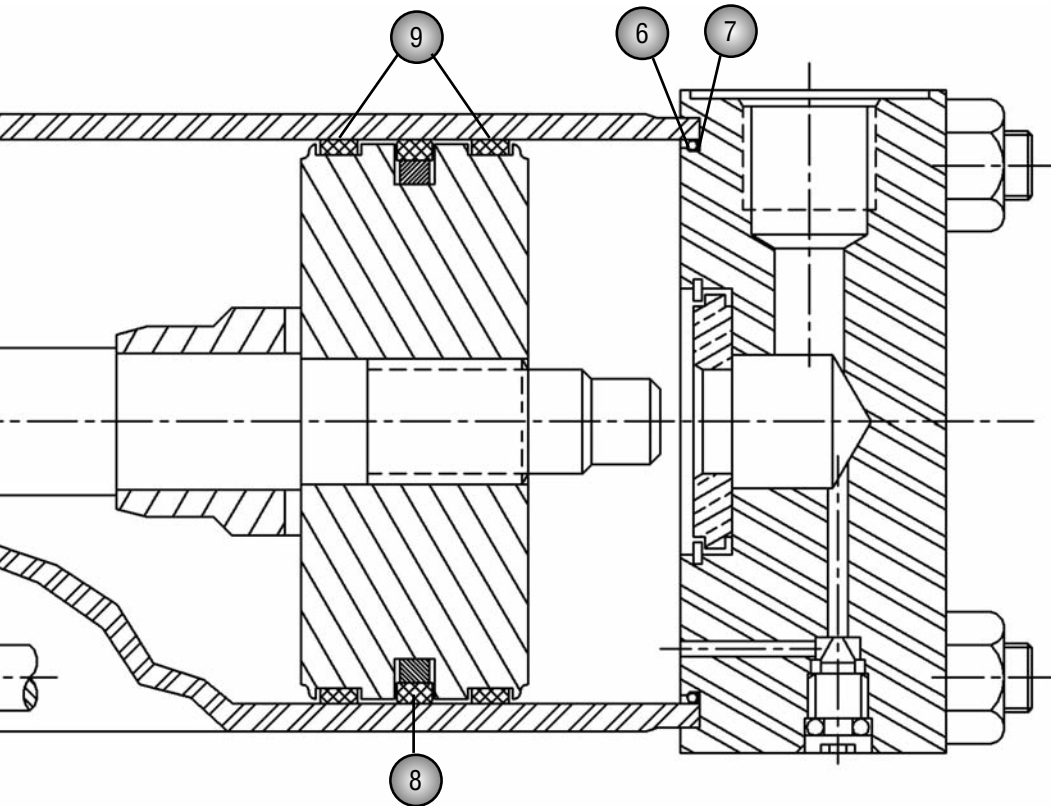
Rod	Bore	Ref. Number	\$
12.00		RATL-B732/1112	85.45
14.00		RATL-B732/1113	89.20
18.00		RATL-B732/1114	102.35
22.00		RATL-B732/1115	107.98
28.00		RATL-B732/1116	153.99
36.00		RATL-B732/1117	171.83
45.00		RATL-B732/1118	236.62
56.00		RATL-B732/1119	245.07
70.00		RATL-B732/1120	253.52
90.00		RATL-B732/1121	281.69
110.00		RATL-B732/1122	333.34
140.00		RATL-B732/1123	399.06

All manufacturer's names, part numbers and descriptions are used for reference purposes only. We do not imply that any part shown is the product of these manufacturers.

INDUSTRIAL SEAL KITS

MOBILE SEAL KITS

ATLAS



COMPONENTS

- 1-GLAND CARTRIDGE
- 2-ROD WIPER
- 3-BACK-UP RING
- 4-ROD SEAL
- 5-O-RING
- 6-BODY END - O-RING
- 7-BACK-UP RING*
- 8-2 PCS.PISTON SEAL
- 9-GUIDING ELEMENT

*NO B.UP RING FOR 25-50 MM. BORE

HI-LOAD PISTON SEAL KITS - NBR (6-7-8-9)*

Rod	Bore	Ref. Number	\$
	25.00	RATL-B732/978	34.74
	32.00	RATL-B732/979	40.38
	40.00	RATL-B732/980	44.58
	50.00	RATL-B732/981	58.71
	63.00	RATL-B732/982	73.69
	80.00	RATL-B732/983	99.53
	100.00	RATL-B732/984	144.60
	125.00	RATL-B732/985	185.92
	160.00	RATL-B732/986	196.25
	200.00	RATL-B732/987	236.62

CYLINDER BODY END KITS - NBR (6-7)*

Rod	Bore	Ref. Number	\$
	25.00	RATL-B732/956	9.39
	32.00	RATL-B732/957	9.59
	40.00	RATL-B732/958	9.80
	50.00	RATL-B732/959	10.82
	63.00	RATL-B732/960	11.84
	80.00	RATL-B732/961	16.53
	100.00	RATL-B732/962	22.45
	125.00	RATL-B732/963	23.88
	160.00	RATL-B732/964	26.13
	200.00	RATL-B732/965	27.56

HI-LOAD PISTON SEAL KITS - FPM (6-7-8-9)*

Rod	Bore	Ref. Number	\$
	25.00	RATL-B732/1134	65.73
	32.00	RATL-B732/1135	75.12
	40.00	RATL-B732/1136	221.60
	50.00	RATL-B732/1137	290.14
	63.00	RATL-B732/1138	367.14
	80.00	RATL-B732/1139	487.33
	100.00	RATL-B732/1140	555.87
	125.00	RATL-B732/1141	626.30
	160.00	RATL-B732/1142	665.73
	200.00	RATL-B732/1143	798.13

CYLINDER BODY END KITS - FPM (6-7)*

Rod	Bore	Ref. Number	\$
	25.00	RATL-B732/1124	17.96
	32.00	RATL-B732/1125	18.98
	40.00	RATL-B732/1126	19.60
	50.00	RATL-B732/1127	20.62
	63.00	RATL-B732/1128	22.86
	80.00	RATL-B732/1129	26.94
	100.00	RATL-B732/1130	38.38
	125.00	RATL-B732/1131	42.46
	160.00	RATL-B732/1132	46.54
	200.00	RATL-B732/1133	50.62

All manufacturer's names, part numbers and descriptions are used for reference purposes only. We do not imply that any part shown is the product of these manufacturers.

Remsa [KITS]

**INDUSTRIAL
SEAL KITS**

**MOBILE
SEAL KITS**

ATLAS

Rod	Bore	Ref. Number	\$	Rod	Bore	Ref. Number	\$
	1.500	RATL-1B00S015S	14.57	1.750		RATL-4A17R000V	145.98
	1.500	RATL-1B00S015V	44.13	1.750		RATL-4A17S000S	11.23
	2.000	RATL-1B00S020S	16.97	1.750		RATL-4A17S000V	29.33
	2.000	RATL-1B00S020V	49.11	2.000		RATL-4A20R000S	148.58
	2.500	RATL-1B00S025S	18.12	2.000		RATL-4A20R000V	170.85
	2.500	RATL-1B00S025V	52.13	2.000		RATL-4A20S000S	12.55
	3.250	RATL-1B00S032S	27.89	2.000		RATL-4A20S000V	30.54
	3.250	RATL-1B00S032V	74.47	2.500		RATL-4A25R000S	169.01
	4.000	RATL-1B00S040S	35.78	2.500		RATL-4A25R000V	203.31
	4.000	RATL-1B00S040V	107.32	2.500		RATL-4A25S000S	17.08
	5.000	RATL-1B00S050S	75.20	2.500		RATL-4A25S000V	38.62
	5.000	RATL-1B00S050V	161.59	3.000		RATL-4A30R000S	208.75
	6.000	RATL-1B00S060S	128.85	3.000		RATL-4A30R000V	246.16
	6.000	RATL-1B00S060V	219.33	3.000		RATL-4A30S000S	24.39
	7.000	RATL-1B00S070S	168.34	3.000		RATL-4A30S000V	45.35
	7.000	RATL-1B00S070V	336.83	3.500		RATL-4A35R000S	
	8.000	RATL-1B00S080S	178.69	3.500		RATL-4A35R000V	
	8.000	RATL-1B00S080V	353.66	3.500		RATL-4A35S000S	26.69
	10.000	RATL-1B00S100S	233.60	3.500		RATL-4A35S000V	56.38
	10.000	RATL-1B00S100V	468.69	4.000		RATL-4A40R000S	
	12.000	RATL-1B00S120S	296.83	4.000		RATL-4A40R000V	
	12.000	RATL-1B00S120V	575.56	4.000		RATL-4A40S000S	28.65
	1.500	RATL-1E00S015S	3.55	4.000		RATL-4A40S000V	86.29
	1.500	RATL-1E00S015V	5.27	4.500		RATL-4A45R000S	
	2.000	RATL-1E00S020S	4.55	4.500		RATL-4A45R000V	
	2.000	RATL-1E00S020V	6.28	4.500		RATL-4A45S000S	34.98
	2.500	RATL-1E00S025S	6.09	4.500		RATL-4A45S000V	97.31
	2.500	RATL-1E00S025V	7.54	5.000		RATL-4A50R000S	
	3.250	RATL-1E00S032S	11.38	5.000		RATL-4A50R000V	
	3.250	RATL-1E00S032V	14.89	5.000		RATL-4A50S000S	40.78
	4.000	RATL-1E00S040S	13.77	5.000		RATL-4A50S000V	130.87
	4.000	RATL-1E00S040V	16.11	5.500		RATL-4A55R000S	
	5.000	RATL-1E00S050S	16.51	5.500		RATL-4A55R000V	
	5.000	RATL-1E00S050V	25.05	5.500		RATL-4A55S000S	81.24
	6.000	RATL-1E00S060S	25.91	5.500		RATL-4A55S000V	178.98
	6.000	RATL-1E00S060V	27.06		1.500	RATL-4B00S015S	7.00
	7.000	RATL-1E00S070S	54.86		1.500	RATL-4B00S015V	32.15
	7.000	RATL-1E00S070V	63.79		2.000	RATL-4B00S020S	8.35
	8.000	RATL-1E00S080S	58.35		2.000	RATL-4B00S020V	36.76
	8.000	RATL-1E00S080V	74.44		2.500	RATL-4B00S025S	9.56
	10.000	RATL-1E00S100S	106.11		2.500	RATL-4B00S025V	50.93
	10.000	RATL-1E00S100V	119.52		3.250	RATL-4B00S032S	11.59
	12.000	RATL-1E00S120S	120.60		3.250	RATL-4B00S032V	54.69
	12.000	RATL-1E00S120V	137.58		4.000	RATL-4B00S040S	14.78
0.625		RATL-4A06R000S	76.22		4.000	RATL-4B00S040V	64.85
0.625		RATL-4A06R000V	101.21		5.000	RATL-4B00S050S	17.89
0.625		RATL-4A06S000S	8.69		5.000	RATL-4B00S050V	80.43
0.625		RATL-4A06S000V	24.13		6.000	RATL-4B00S060S	23.24
	0.750	RATL-4A07S000S	11.71		6.000	RATL-4B00S060V	110.60
	0.750	RATL-4A07S000V	34.62		7.000	RATL-4B00S070S	64.81
1.000		RATL-4A10R000S	89.69		7.000	RATL-4B00S070V	199.99
1.000		RATL-4A10R000V	118.92		8.000	RATL-4B00S080S	73.52
1.000		RATL-4A10S000S	8.70		8.000	RATL-4B00S080V	241.11
1.000		RATL-4A10S000V	24.87		10.000	RATL-4B00S100S	104.67
1.375		RATL-4A13R000S	107.43		10.000	RATL-4B00S100V	334.14
1.375		RATL-4A13R000V	122.74		12.000	RATL-4B00S120S	141.65
1.375		RATL-4A13S000S	8.91		12.000	RATL-4B00S120V	518.64
1.375		RATL-4A13S000V	26.17		14.000	RATL-4B00S140S	219.31
1.750		RATL-4A17R000S	126.65		14.000	RATL-4B00S140V	764.55

All manufacturer's names, part numbers and descriptions are used for reference purposes only. We do not imply that any part shown is the product of these manufacturers.

Remsa [KITS]

**INDUSTRIAL
SEAL KITS**

**MOBILE
SEAL KITS**

ATLAS

Rod	Bore	Ref. Number	\$	Rod	Bore	Ref. Number	\$
	1.500	RATL-4E00S015S	4.06	4.000		RATL-5A40S000V	90.35
	1.500	RATL-4E00S015V	5.83	4.500		RATL-5A45R000S	0/R
	2.000	RATL-4E00S020S	4.31	4.500		RATL-5A45R000V	0/R
	2.000	RATL-4E00S020V	9.92	4.500		RATL-5A45S000S	61.65
	2.500	RATL-4E00S025S	4.81	4.500		RATL-5A45S000V	111.13
	2.500	RATL-4E00S025V	13.00	5.000		RATL-5A50R000S	0/R
	3.250	RATL-4E00S032S	4.88	5.000		RATL-5A50R000V	0/R
	3.250	RATL-4E00S032V	15.17	5.000		RATL-5A50S000S	76.34
	4.000	RATL-4E00S040S	5.12	5.000		RATL-5A50S000V	143.46
	4.000	RATL-4E00S040V	19.54	5.500		RATL-5A55R000S	0/R
	5.000	RATL-4E00S050S	5.98	5.500		RATL-5A55R000V	0/R
	5.000	RATL-4E00S050V	27.50	5.500		RATL-5A55S000S	81.24
	6.000	RATL-4E00S060S	7.40	5.500		RATL-5A55S000V	178.98
	6.000	RATL-4E00S060V	29.01		1.500	RATL-5B00S015S	7.19
	7.000	RATL-4E00S070S	7.50		1.500	RATL-5B00S015V	32.58
	7.000	RATL-4E00S070V	41.00		2.000	RATL-5B00S020S	8.45
	8.000	RATL-4E00S080S	9.14		2.000	RATL-5B00S020V	37.19
	8.000	RATL-4E00S080V	41.12		2.500	RATL-5B00S025S	9.76
	10.000	RATL-4E00S100S	10.59		2.500	RATL-5B00S025V	52.17
	10.000	RATL-4E00S100V	45.80		3.250	RATL-5B00S032S	12.13
	12.000	RATL-4E00S120S	12.22		3.250	RATL-5B00S032V	60.87
	12.000	RATL-4E00S120V	55.22		4.000	RATL-5B00S040S	15.92
	14.000	RATL-4E00S140S	61.82		4.000	RATL-5B00S040V	65.61
	14.000	RATL-4E00S140V	110.87		5.000	RATL-5B00S050S	18.58
0.625		RATL-5A06R000S	0/R	5.000		RATL-5B00S050V	83.24
0.625		RATL-5A06R000V	0/R	6.000		RATL-5B00S060S	24.17
0.625		RATL-5A06S000S	7.96	6.000		RATL-5B00S060V	110.64
0.625		RATL-5A06S000V	28.50	7.000		RATL-5B00S070S	60.18
1.000		RATL-5A10R000S	0/R	7.000		RATL-5B00S070V	175.38
1.000		RATL-5A10R000V	0/R	8.000		RATL-5B00S080S	70.06
1.000		RATL-5A10S000S	8.37	8.000		RATL-5B00S080V	239.81
1.000		RATL-5A10S000V	28.58	10.000		RATL-5B00S100S	103.78
1.375		RATL-5A13R000S	137.42	10.000		RATL-5B00S100V	304.39
1.375		RATL-5A13R000V	205.15	12.000		RATL-5B00S120S	140.97
1.375		RATL-5A13S000S	8.98	12.000		RATL-5B00S120V	467.57
1.375		RATL-5A13S000V	29.72		14.000	RATL-5B00S140S	218.05
1.750		RATL-5A17R000S	170.25		14.000	RATL-5B00S140V	763.92
1.750		RATL-5A17R000V	0/R		1.500	RATL-5E00S015S	4.49
1.750		RATL-5A17S000S	11.43		1.500	RATL-5E00S015V	7.10
1.750		RATL-5A17S000V	31.48		2.000	RATL-5E00S020S	4.74
2.000		RATL-5A20R000S	0/R		2.000	RATL-5E00S020V	10.53
2.000		RATL-5A20R000V	0/R		2.500	RATL-5E00S025S	4.98
2.000		RATL-5A20S000S	13.06		2.500	RATL-5E00S025V	13.23
2.000		RATL-5A20S000V	33.97		3.250	RATL-5E00S032S	5.23
2.500		RATL-5A25R000S	0/R		3.250	RATL-5E00S032V	15.96
2.500		RATL-5A25R000V	0/R		4.000	RATL-5E00S040S	5.43
2.500		RATL-5A25S000S	17.15		4.000	RATL-5E00S040V	19.96
2.500		RATL-5A25S000V	40.34		5.000	RATL-5E00S050S	6.29
3.000		RATL-5A30R000S	0/R		5.000	RATL-5E00S050V	28.82
3.000		RATL-5A30R000V	0/R		6.000	RATL-5E00S060S	7.47
3.000		RATL-5A30S000S	30.82		6.000	RATL-5E00S060V	30.13
3.000		RATL-5A30S000V	47.52		7.000	RATL-5E00S070S	8.04
3.500		RATL-5A35R000S	0/R		7.000	RATL-5E00S070V	43.23
3.500		RATL-5A35R000V	0/R		8.000	RATL-5E00S080S	9.10
3.500		RATL-5A35S000S	46.54		8.000	RATL-5E00S080V	44.01
3.500		RATL-5A35S000V	61.89		10.000	RATL-5E00S100S	11.10
4.000		RATL-5A40R000S	0/R		10.000	RATL-5E00S100V	48.75
4.000		RATL-5A40R000V	0/R		12.000	RATL-5E00S120S	12.49
4.000		RATL-5A40S000S	54.50		12.000	RATL-5E00S120V	54.95

All manufacturer's names, part numbers and descriptions are used for reference purposes only. We do not imply that any part shown is the product of these manufacturers.

Remsa [KITS]

**INDUSTRIAL
SEAL KITS**

**MOBILE
SEAL KITS**

ATLAS

Rod	Bore	Ref. Number	\$	Rod	Bore	Ref. Number	\$
	14.000	RATL-5E00S140S	14.29	18.00		RATL-B732/946	127.70
	14.000	RATL-5E00S140V	62.05	22.00		RATL-B732/947	135.01
	1.750	RATL-90030340-69	10.93	28.00		RATL-B732/948	143.66
	1.375	RATL-90030340-79	12.22	36.00		RATL-B732/949	169.02
	1.750	RATL-90030370-69	10.83	45.00		RATL-B732/950	211.27
	1.375	RATL-90030370-79	10.02	56.00		RATL-B732/951	239.44
	10.000	RATL-APK100-000	96.14	70.00		RATL-B732/952	265.73
	2.000	RATL-APK20-000	11.40	90.00		RATL-B732/953	313.62
	2.500	RATL-APK25-000	12.05	110.00		RATL-B732/954	650.71
	4.000	RATL-APK40-000	27.11	140.00		RATL-B732/955	706.11
	5.000	RATL-APK50-000	33.42		25.00	RATL-B732/956	9.39
	6.000	RATL-APK60-000	39.40		32.00	RATL-B732/957	9.59
	8.000	RATL-APK80-000	53.18		40.00	RATL-B732/958	9.80
12.00		RATL-B732/1100	134.27		50.00	RATL-B732/959	10.82
14.00		RATL-B732/1101	138.03		63.00	RATL-B732/960	11.84
18.00		RATL-B732/1102	142.72		80.00	RATL-B732/961	16.53
22.00		RATL-B732/1103	145.54		100.00	RATL-B732/962	22.45
28.00		RATL-B732/1104	215.96		125.00	RATL-B732/963	23.88
36.00		RATL-B732/1105	241.32		160.00	RATL-B732/964	26.13
45.00		RATL-B732/1106	342.73		200.00	RATL-B732/965	27.56
56.00		RATL-B732/1107	416.90	12.00		RATL-B732/966	49.77
70.00		RATL-B732/1108	418.78	14.00		RATL-B732/967	51.40
90.00		RATL-B732/1109	433.81	18.00		RATL-B732/968	51.89
110.00		RATL-B732/1110	787.80	22.00		RATL-B732/969	53.52
140.00		RATL-B732/1111	868.55	28.00		RATL-B732/970	54.91
12.00		RATL-B732/1112	85.45	36.00		RATL-B732/971	58.67
14.00		RATL-B732/1113	89.20	45.00		RATL-B732/972	61.52
18.00		RATL-B732/1114	102.35	56.00		RATL-B732/973	62.91
22.00		RATL-B732/1115	107.98	70.00		RATL-B732/974	77.00
28.00		RATL-B732/1116	153.99	90.00		RATL-B732/975	103.29
36.00		RATL-B732/1117	171.83	110.00		RATL-B732/976	117.37
45.00		RATL-B732/1118	236.62	140.00		RATL-B732/977	141.79
56.00		RATL-B732/1119	245.07		25.00	RATL-B732/978	34.74
70.00		RATL-B732/1120	253.52		32.00	RATL-B732/979	40.38
90.00		RATL-B732/1121	281.69		40.00	RATL-B732/980	44.58
110.00		RATL-B732/1122	333.34		50.00	RATL-B732/981	58.71
140.00		RATL-B732/1123	399.06		63.00	RATL-B732/982	73.69
	25.00	RATL-B732/1124	17.96		80.00	RATL-B732/983	99.53
	32.00	RATL-B732/1125	18.98		100.00	RATL-B732/984	144.60
	40.00	RATL-B732/1126	19.60		125.00	RATL-B732/985	185.92
	50.00	RATL-B732/1127	20.62		160.00	RATL-B732/986	196.25
	63.00	RATL-B732/1128	22.86		200.00	RATL-B732/987	236.62
	80.00	RATL-B732/1129	26.94		32.00	RATL-CB032MP001	5.51
	100.00	RATL-B732/1130	38.38		32.00	RATL-CB032MP005	6.33
	125.00	RATL-B732/1131	42.46		40.00	RATL-CB040MP001	5.63
	160.00	RATL-B732/1132	46.54		40.00	RATL-CB040MP005	6.57
	200.00	RATL-B732/1133	50.62		50.00	RATL-CB050MP001	5.76
	25.00	RATL-B732/1134	65.73		50.00	RATL-CB050MP005	7.14
	32.00	RATL-B732/1135	75.12		63.00	RATL-CB063MP001	6.33
	40.00	RATL-B732/1136	221.60		63.00	RATL-CB063MP005	7.55
	50.00	RATL-B732/1137	290.14		80.00	RATL-CB080MP001	6.94
	63.00	RATL-B732/1138	367.14		80.00	RATL-CB080MP005	8.78
	80.00	RATL-B732/1139	487.33		100.00	RATL-CB100MP001	7.55
	100.00	RATL-B732/1140	555.87		100.00	RATL-CB100MP005	9.59
	125.00	RATL-B732/1141	626.30		125.00	RATL-CB125MP001	8.98
	160.00	RATL-B732/1142	665.73		125.00	RATL-CB125MP005	15.11
	200.00	RATL-B732/1143	798.13		160.00	RATL-CB160MP001	12.04
12.00		RATL-B732/944	126.76		160.00	RATL-CB160MP005	15.92
14.00		RATL-B732/945	127.37		200.00	RATL-CB200MP001	14.90

All manufacturer's names, part numbers and descriptions are used for reference purposes only. We do not imply that any part shown is the product of these manufacturers.

Rod	Bore	Ref. Number	\$	Rod	Bore	Ref. Number	\$
	200.00	RATL-CB200MP005	22.25		2.000	RATL-PH00LH020	11.88
	0.625	RATL-EA06R000S	79.38		2.500	RATL-PH00LH025	14.13
	0.625	RATL-EA06S000S	7.31		3.250	RATL-PH00LH032	25.83
	1.000	RATL-EA10R000S	88.78		4.000	RATL-PH00LH040	30.74
	1.000	RATL-EA10S000S	7.88		5.000	RATL-PH00LH050	45.16
	1.375	RATL-EA13R000S	102.04		6.000	RATL-PH00LH060	67.58
	1.375	RATL-EA13S000S	8.40		0.625	RATL-PH06SH000	7.86
	1.750	RATL-EA17R000S	120.50		1.000	RATL-PH10SH000	8.49
	1.750	RATL-EA17S000S	9.83		1.375	RATL-PH13SH000	11.41
	2.000	RATL-EA20R000S	147.85		1.750	RATL-PH17SH000	11.51
	2.000	RATL-EA20S000S	12.67		2.000	RATL-PH20SH000	15.75
	2.500	RATL-EA25R000S	166.16		2.500	RATL-PH25SH000	19.64
	2.500	RATL-EA25S000S	14.49		3.000	RATL-PH30SH000	20.85
	3.000	RATL-EA30R000S	221.27		4.000	RATL-PH35SH000	40.33
	3.000	RATL-EA30S000S	29.37		32.00	RATL-PK032MP001	26.29
	3.500	RATL-EA35S000S	42.52		32.00	RATL-PK032MP005	52.58
	4.000	RATL-EA40S000S	47.38		40.00	RATL-PK040MP001	26.78
	4.500	RATL-EA45S000S	52.69		40.00	RATL-PK040MP005	62.46
	5.000	RATL-EA50S000S	57.15		50.00	RATL-PK050MP001	27.72
	1.500	RATL-EB00S015S	7.00		50.00	RATL-PK050MP005	70.42
	2.000	RATL-EB00S020S	8.35		63.00	RATL-PK063MP001	29.11
	2.500	RATL-EB00S025S	9.56		63.00	RATL-PK063MP005	81.69
	3.250	RATL-EB00S032S	11.59		80.00	RATL-PK080MP001	34.74
	4.000	RATL-EB00S040S	14.78		80.00	RATL-PK080MP005	106.96
	5.000	RATL-EB00S050S	17.89		100.00	RATL-PK100MP001	46.01
	6.000	RATL-EB00S060S	23.24		100.00	RATL-PK100MP005	116.43
	8.000	RATL-EB00S080S	73.52		125.00	RATL-PK125MP001	55.89
	1.500	RATL-HPK15-000	13.36		125.00	RATL-PK125MP005	144.60
	2.000	RATL-HPK20-000	14.98		160.00	RATL-PK160MP001	62.91
	2.500	RATL-HPK25-000	16.26		160.00	RATL-PK160MP005	171.83
	3.250	RATL-HPK35-000	24.36		200.00	RATL-PK200MP001	76.55
	4.000	RATL-HPK40-000	29.38		200.00	RATL-PK200MP005	246.95
	5.000	RATL-HPK50-000	36.50	12.00		RATL-RG0MP00121	37.11
	6.000	RATL-HPK60-000	43.62	12.00		RATL-RG0MP00125	71.36
	8.000	RATL-HPK80-000	88.77	16.00		RATL-RG0MP00161	42.25
	1.000	RATL-HRK100	9.03	16.00		RATL-RG0MP00165	79.36
	1.375	RATL-HRK137	10.48	20.00		RATL-RG0MP00201	57.77
	1.750	RATL-HRK175	11.57	20.00		RATL-RG0MP00205	95.78
	2.000	RATL-HRK200	12.40	25.00		RATL-RG0MP00251	109.86
	0.625	RATL-HRK62	7.54	25.00		RATL-RG0MP00255	145.54
0.250	0.562	RATL-KS05CDL251	26.29	32.00		RATL-RG0MP00321	114.55
0.250	0.562	RATL-KS05CDL255	54.95	32.00		RATL-RG0MP00325	157.01
0.312	0.750	RATL-KS07CDL311	26.78	40.00		RATL-RG0MP00401	131.46
0.312	0.750	RATL-KS07CDL315	56.83	40.00		RATL-RG0MP00405	186.86
0.500	1.125	RATL-KS12CDL501	29.60		0.625	RATL-RGAL-06	65.28
0.500	1.125	RATL-KS12CDL505	60.09		1.000	RATL-RGAL-10	73.31
0.625	1.500	RATL-KS15CDL621	30.99		1.375	RATL-RGAL-13	85.94
0.625	1.500	RATL-KS15CDL625	76.55		1.750	RATL-RGAL-17	100.35
0.750	2.000	RATL-KS20CDL751	32.86		2.000	RATL-RGAL-20	121.73
0.750	2.000	RATL-KS20CDL755	95.78		2.500	RATL-RGAL-25	137.45
0.750	2.500	RATL-KS25CDL751	26.78		3.000	RATL-RGAL-30	171.04
0.750	2.500	RATL-KS25CDL755	107.04	12.00		RATL-RKOMP00121	20.21
0.875	3.000	RATL-KS30CDL781	38.99	12.00		RATL-RKOMP00125	27.72
0.875	3.000	RATL-KS30CDL785	169.02	16.00		RATL-RKOMP00161	21.60
1.000	4.000	RATL-KS40CDL101	42.74	16.00		RATL-RKOMP00165	28.66
1.000	4.000	RATL-KS40CDL105	188.73	20.00		RATL-RKOMP00201	23.47
	7.000	RATL-PH00KH070	272.18	20.00		RATL-RKOMP00205	36.17
	8.000	RATL-PH00KH080	330.83	25.00		RATL-RKOMP00251	65.73
	1.500	RATL-PH00LH015	11.24	25.00		RATL-RKOMP00255	91.57

All manufacturer's names, part numbers and descriptions are used for reference purposes only. We do not imply that any part shown is the product of these manufacturers.

Remsa [KITS]

**INDUSTRIAL
SEAL KITS**

**MOBILE
SEAL KITS**

Rod	Bore	Ref. Number	\$	Rod	Bore	Ref. Number	\$
32.00		RATL-RKOMP00321	71.85	1.000	4.000	RATL-SKS40CD105	83.12
32.00		RATL-RKOMP00325	92.02		7.000	RATL-VH00KH070	275.33
40.00		RATL-RKOMP00401	78.10		8.000	RATL-VH00KH080	339.71
40.00		RATL-RKOMP00405	117.37		1.500	RATL-VH00LH015	39.54
0.250	0.562	RATL-SKS05CD251	8.57		2.000	RATL-VH00LH020	56.97
0.250	0.562	RATL-SKS05CD255	19.27		2.500	RATL-VH00LH025	65.60
0.312	0.750	RATL-SKS07CD311	8.94		3.250	RATL-VH00LH032	75.78
0.312	0.750	RATL-SKS07CD315	21.15		4.000	RATL-VH00LH040	173.29
0.500	1.125	RATL-SKS12CD501	9.10		5.000	RATL-VH00LH050	260.33
0.500	1.125	RATL-SKS12CD505	22.54		6.000	RATL-VH00LH060	306.07
0.625	1.500	RATL-SKS15CD621	10.04		0.625	RATL-VH06SH000	24.01
0.625	1.500	RATL-SKS15CD625	27.72		1.000	RATL-VH10SH000	33.89
0.750	2.000	RATL-SKS20CD751	11.27		1.375	RATL-VH13SH000	35.34
0.750	2.000	RATL-SKS20CD755	29.11		1.750	RATL-VH17SH000	41.92
0.750	2.500	RATL-SKS25CD751	12.21		2.000	RATL-VH20SH000	48.00
0.750	2.500	RATL-SKS25CD755	38.50		2.500	RATL-VH25SH000	77.58
0.875	3.000	RATL-SKS30CD781	21.15		3.000	RATL-VH30SH000	89.40
0.875	3.000	RATL-SKS30CD785	70.91		4.000	RATL-VH35SH000	124.26
1.000	4.000	RATL-SKS40CD101	25.84				



All manufacturer's names, part numbers and descriptions are used for reference purposes only. We do not imply that any part shown is the product of these manufacturers.

ATLAS

HYDRO-LINE

CYLINDERS PRODUCT RANGE

INDUSTRIAL
SEAL KITS

MOBILE
SEAL KITS

Cylinder Type	Duty	Series	Pressure rating	Specification
AIR CYLINDERS	LIGHT DUTY	A5 AN5 R5	250 PSI/17 BAR 250 PSI/17 BAR 250 PSI/17 BAR	NFPA INTERCHANGEABLE NFPA INTERCHANGEABLE NFPA INTERCHANGEABLE
HYDRAULIC CYLINDERS	LIGHT DUTY MEDIUM DUTY HEAVY DUDY	HA5 HR5 N5	400 PSI/27 BAR 1500 PSI/100 BAR 3000 PSI/200 BAR	NFPA INTERCHANGEABLE NFPA INTERCHANGEABLE ISO - METRIC

INDEX

Cylinder Type	Duty	Series	Page
AIR CYLINDERS	LIGHT DUTY	A5 AN5 R5	KITS 22 KITS 24 KITS 26
HYDRAULIC CYLINDERS	LIGHT DUTY MEDIUM DUTY HEAVY	HA5 HR5 N5	KITS 28 KITS 30 KITS 32

HYDRO-LINE

All manufacturer's names, part numbers and descriptions are used for reference purposes only. We do not imply that any part shown is the product of these manufacturers.

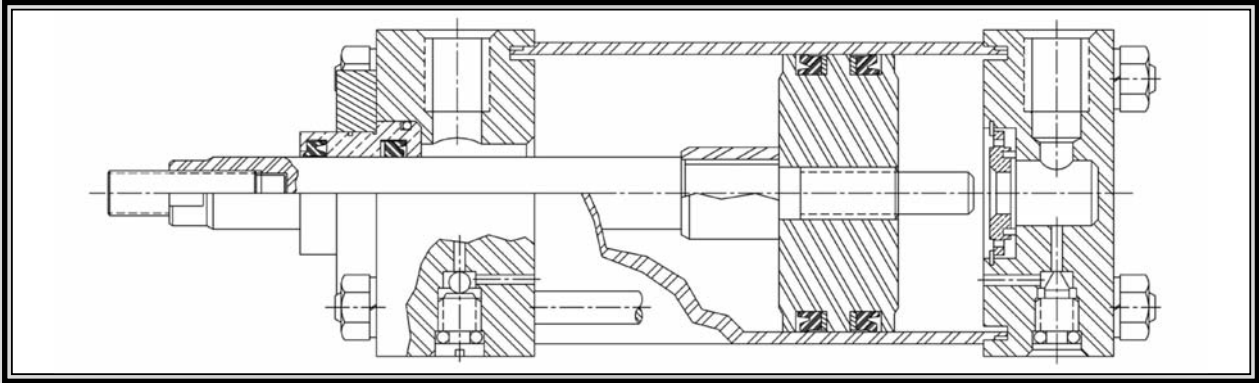
Remsa [KITS]

CYLINDERS

HYDRO-LINE

AIR CYLINDER

SERIES - "A5"

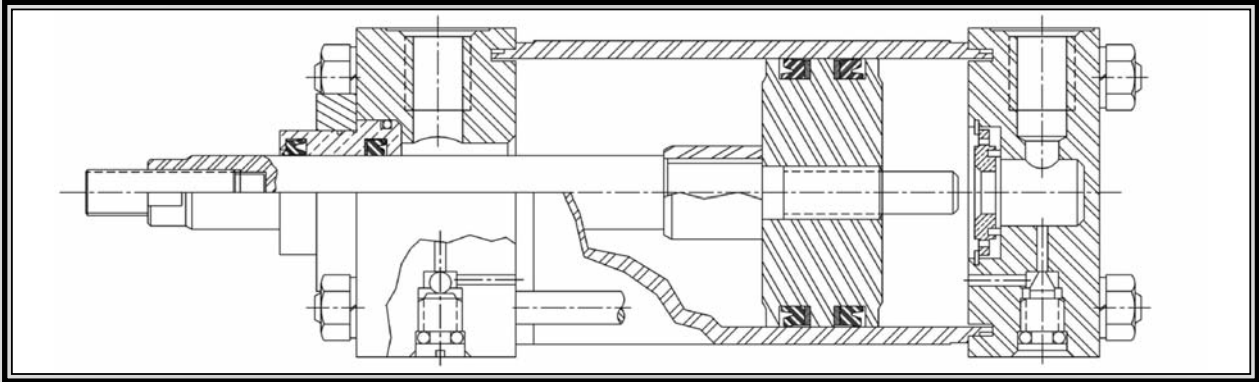


Temperature: **NBR -40/250F [-40/121C]**
FPM -5/400F [-21/204C]

Pressure: **250 PSI [17 BAR]**

AIR CYLINDER

SERIES - "AN5"

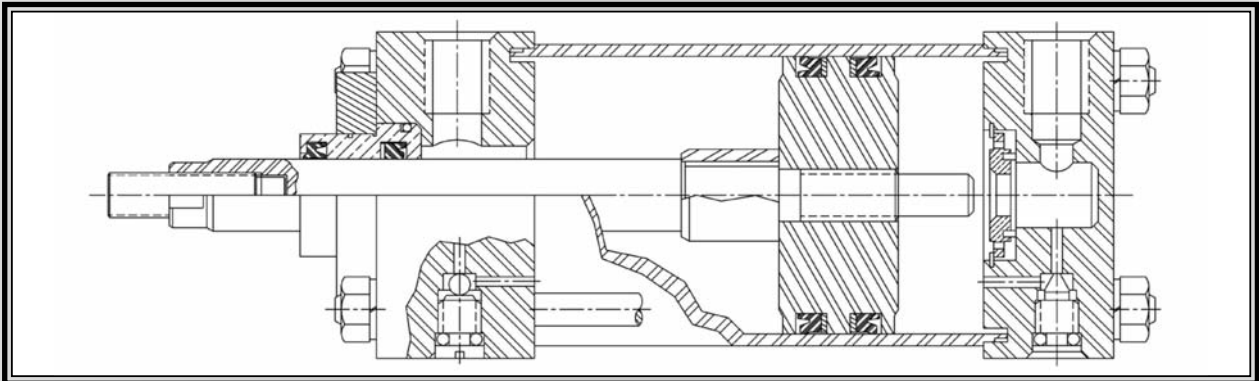


Temperature: **NBR -40/250F [-40/121C]**
FPM -5/400F [-21/204C]

Pressure: **250 PSI [17 BAR]**

AIR CYLINDER

SERIES - "R5"



Temperature: **NBR -40/250F [-40/121C]**
FPM -5/400F [-21/204C]

Pressure: **250 PSI [17 BAR]**

All manufacturer's names, part numbers and descriptions are used for reference purposes only. We do not imply that any part shown is the product of these manufacturers.

INDUSTRIAL
SEAL KITS

MOBILE
SEAL KITS

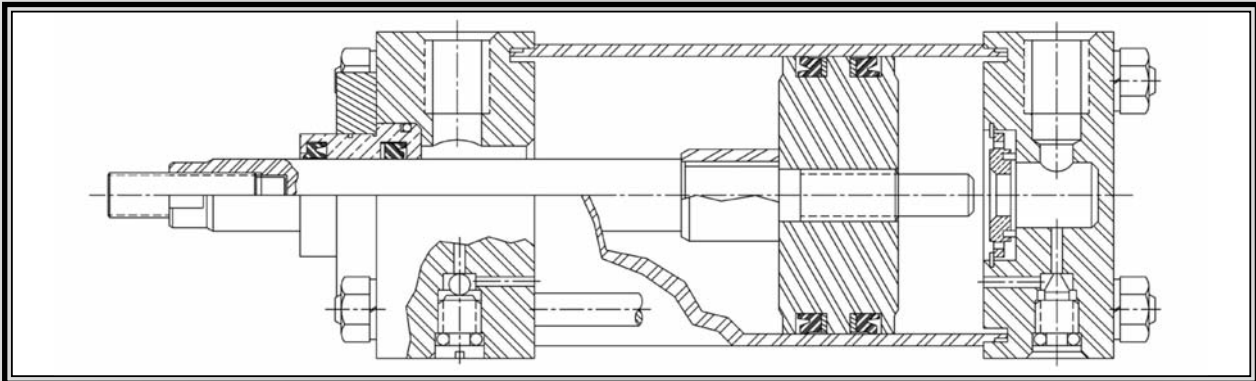
HYDRO-LINE

HYDRO-LINE

CYLINDERS

HYDRAULIC CYLINDER

SERIES - "HA5"

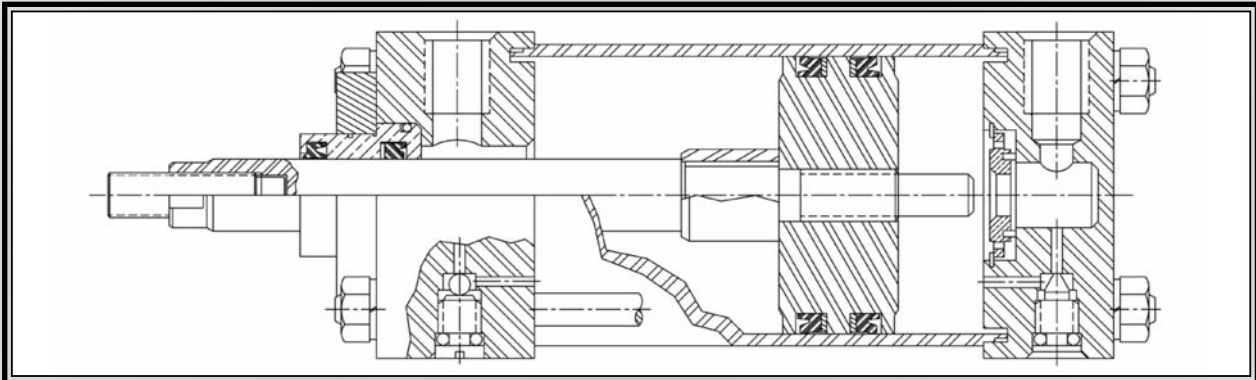


Temperature: **NBR -40/250F [-40/121C]**
FPM -5/400F [-21/204C]

Pressure: **400 PSI [27 BAR]**

HYDRAULIC CYLINDER

SERIES - "HR5"

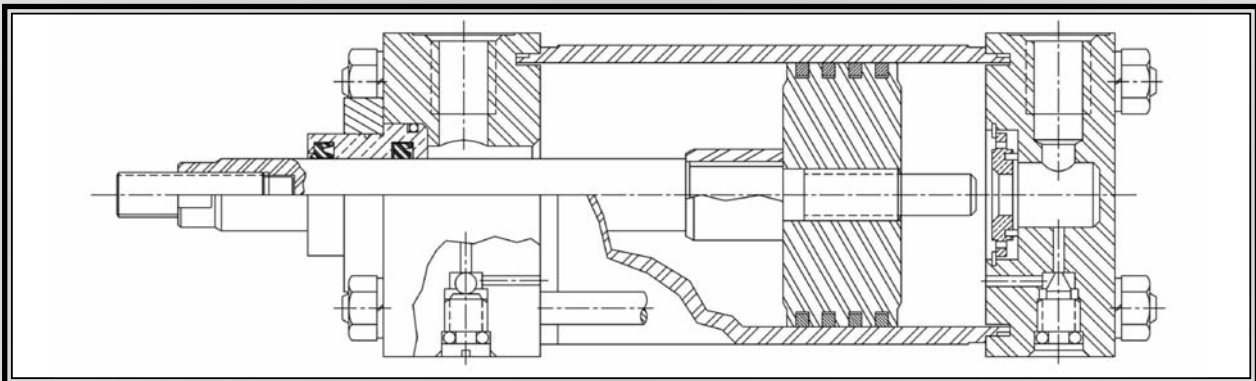


Temperature: **NBR -40/250F [-40/121C]**
FPM -5/400F [-21/204C]

Pressure: **1500 PSI [100 BAR]**

HYDRAULIC CYLINDER

SERIES - "N5"



Temperature: **NBR -40/250F [-40/121C]**
FPM -5/400F [-21/204C]

Pressure: **3000 PSI [200 BAR]**

INDUSTRIAL
SEAL KITS

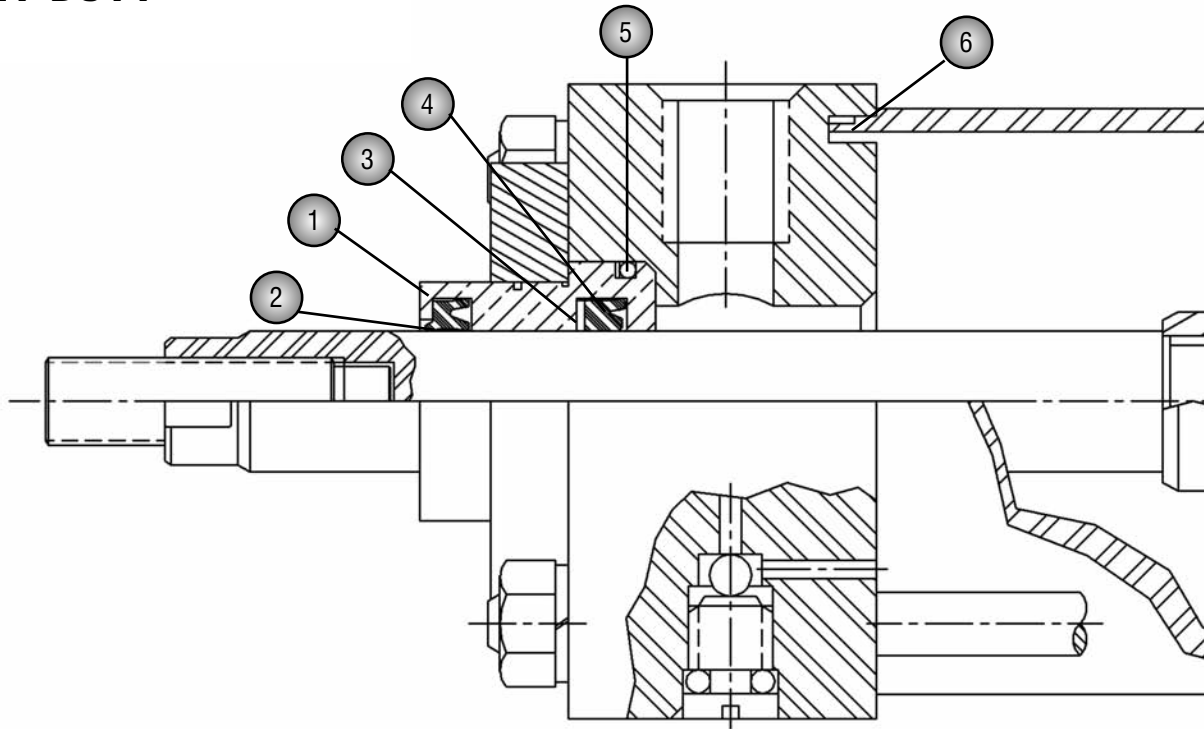
MOBILE
SEAL KITS

HYDRO-LINE

All manufacturer's names, part numbers and descriptions are used for reference purposes only. We do not imply that any part shown is the product of these manufacturers.

A5 SERIES

AIR CYLINDER LIGHT DUTY



GLAND CARTRIDGE KIT - NBR (1-2-3-4-5)

Rod	Bore	Ref. Number	\$
0.625		RHYD-N5/665/05	111.45
1.000		RHYD-N5/665/08	138.34
1.375		RHYD-N5/665/11	148.00

ROD SEAL KIT - NBR (2-3-4-5)

Rod	Bore	Ref. Number	\$
0.625		RHYD-SKN5/660/05	8.29
1.000		RHYD-SKN5/660/08	8.43
1.375		RHYD-SKN5/660/11	10.57

GLAND CARTRIDGE KIT - FPM (1-2-3-4-5)

Rod	Bore	Ref. Number	\$
0.625		RHYD-N5/665/05/V	127.04
1.000		RHYD-N5/665/08/V	155.25
1.375		RHYD-N5/665/11/V	169.72

ROD SEAL KIT - FPM (2-3-4-5)

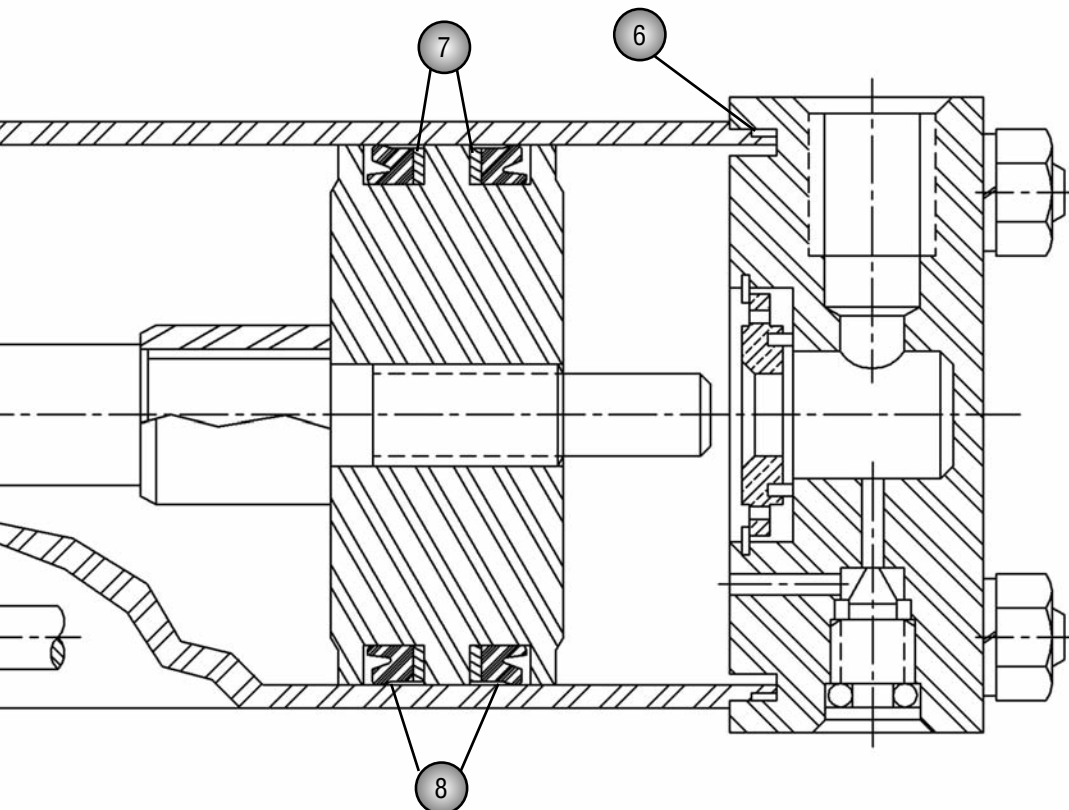
Rod	Bore	Ref. Number	\$
0.625		RHYD-SKN5/660/05/V	29.76
1.000		RHYD-SKN5/660/08/V	31.28
1.375		RHYD-SKN5/660/11/V	40.88

All manufacturer's names, part numbers and descriptions are used for reference purposes only. We do not imply that any part shown is the product of these manufacturers.

INDUSTRIAL
SEAL KITS

MOBILE
SEAL KITS

HYDRO-LINE



COMPONENTS

- 1-GLAND CARTRIDGE
- 2-ROD WIPER
- 3-BACK UP RING
- 4-ROD SEAL
- 5-O'RING & B.UP RING
- 6-TUBE END SEAL
- 7-BACK UP RING
- 8-PISTON SEAL

PISTON LIPEAL KIT - NBR (6-7-8)

Rod	Bore	Ref. Number	\$
	1.500	RHYD-SKA5/512/03	21.81
	2.000	RHYD-SKA5/512/04	23.24
	2.500	RHYD-SKA5/512/05	25.04
	3.250	RHYD-SKA5/512/065	27.01
	4.000	RHYD-SKA5/512/08	31.43
	5.000	RHYD-SKA5/512/10	39.29
	6.000	RHYD-SKA5/512/12	46.26

TUBE END SEAL - (6)

Rod	Bore	Ref. Number	\$
	1.500	RHYD-C221/03	5.88
	2.000	RHYD-C221/04	6.40
	2.500	RHYD-C221/05	7.07
	3.250	RHYD-C221/065	7.62
	4.000	RHYD-C221/08	8.61
	5.000	RHYD-C221/10	11.64
	6.000	RHYD-C221/12	15.00

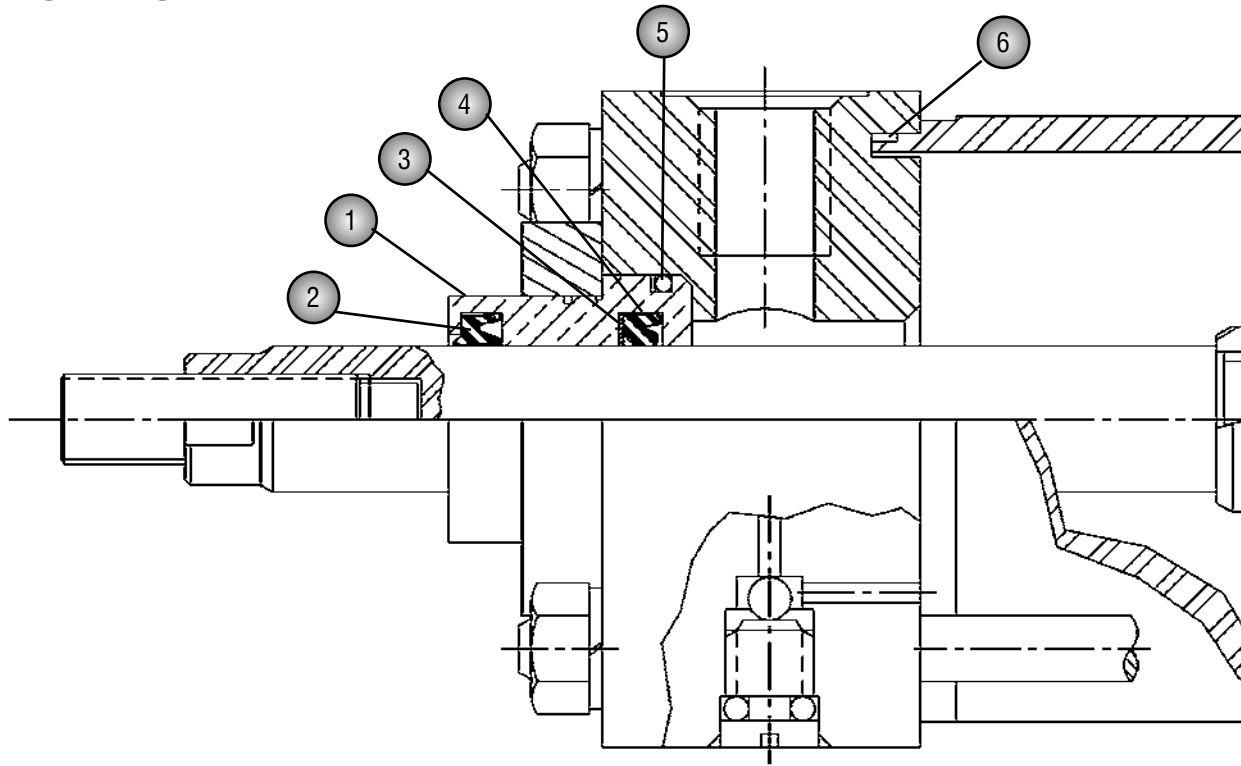
PISTON LIPEAL KIT - FPM (6-7-8)

Rod	Bore	Ref. Number	\$
	1.500	RHYD-SKA5/512/03/V	44.13
	2.000	RHYD-SKA5/512/04/V	45.73
	2.500	RHYD-SKA5/512/05/V	53.93
	3.250	RHYD-SKA5/512/065/V	60.81
	4.000	RHYD-SKA5/512/08/V	66.10
	5.000	RHYD-SKA5/512/10/V	77.52
	6.000	RHYD-SKA5/512/12/V	126.85

All manufacturer's names, part numbers and descriptions are used for reference purposes only. We do not imply that any part shown is the product of these manufacturers.

AN5 SERIES

AIR CYLINDER LIGHT DUTY



GLAND CARTRIDGE KIT - NBR (1-2-3-4-5)

Rod	Bore	Ref. Number	\$
0.625		RHYD-N5/665/05	111.45
1.000		RHYD-N5/665/08	138.34
1.375		RHYD-N5/665/11	148.00
1.750		RHYD-N5/665/14	172.08
2.000		RHYD-N5/665/16	179.17
2.500		RHYD-N5/665/20	194.44
3.000		RHYD-N5/665/24	292.92
3.500		RHYD-N5/665/28	342.94
4.000		RHYD-N5/665/32	380.09
4.500		RHYD-N5/665/36	537.99
5.000		RHYD-N5/665/40	647.35
5.500		RHYD-N5/665/44	644.50

ROD SEAL KIT - NBR (2-3-4-5)

Rod	Bore	Ref. Number	\$
0.625		RHYD-SKN5/660/05	8.29
1.000		RHYD-SKN5/660/08	8.43
1.375		RHYD-SKN5/660/11	10.57
1.750		RHYD-SKN5/660/14	13.33
2.000		RHYD-SKN5/660/16	14.93
2.500		RHYD-SKN5/660/20	16.42
3.000		RHYD-SKN5/660/24	17.07
3.500		RHYD-SKN5/660/28	18.73
4.000		RHYD-SKN5/660/32	23.50
4.500		RHYD-SKN5/660/36	25.32
5.000		RHYD-SKN5/660/40	37.47
5.500		RHYD-SKN5/660/44	51.09

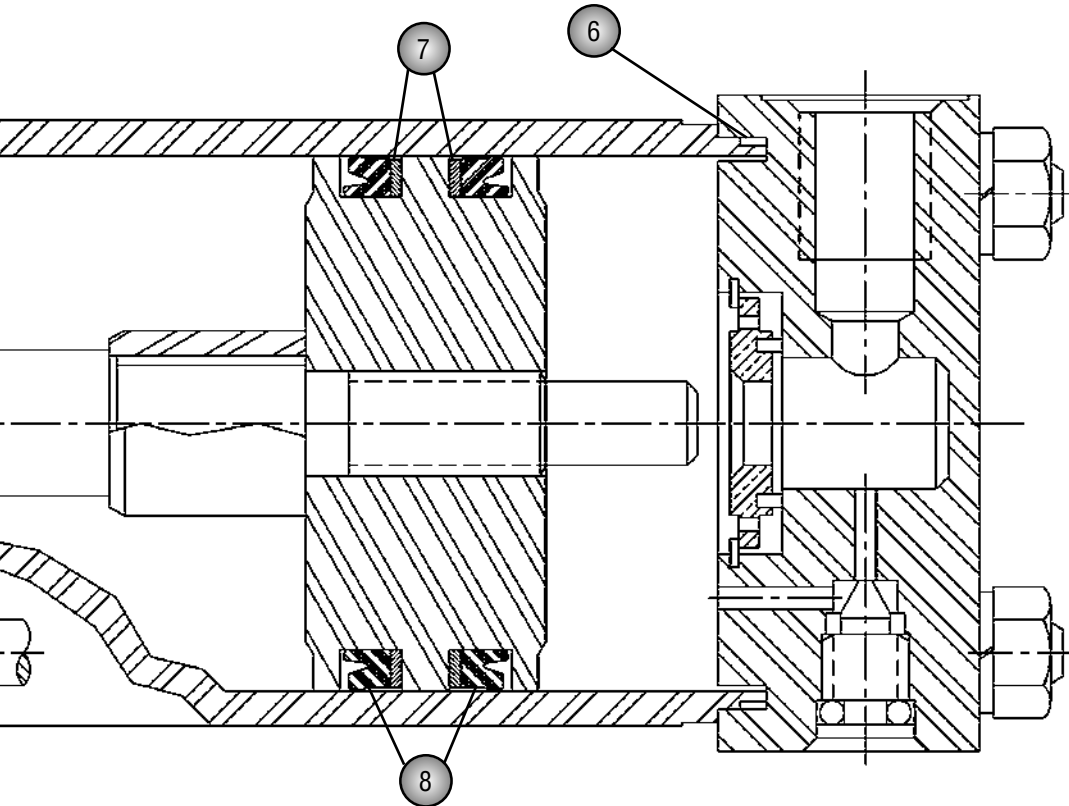
GLAND CARTRIDGE KIT - FPM (1-2-3-4-5)

Rod	Bore	Ref. Number	\$
0.625		RHYD-N5/665/05/V	127.04
1.000		RHYD-N5/665/08/V	155.25
1.375		RHYD-N5/665/11/V	169.72
1.750		RHYD-N5/665/14/V	194.02
2.000		RHYD-N5/665/16/V	204.95
2.500		RHYD-N5/665/20/V	222.59
3.000		RHYD-N5/665/24/V	341.66
3.500		RHYD-N5/665/28/V	386.65
4.000		RHYD-N5/665/32/V	439.73
4.500		RHYD-N5/665/36/V	601.15
5.000		RHYD-N5/665/40/V	727.59
5.500		RHYD-N5/665/44/V	806.86

ROD SEAL KIT - FPM (2-3-4-5)

Rod	Bore	Ref. Number	\$
0.625		RHYD-SKN5/660/05/V	29.76
1.000		RHYD-SKN5/660/08/V	31.28
1.375		RHYD-SKN5/660/11/V	40.88
1.750		RHYD-SKN5/660/14/V	42.38
2.000		RHYD-SKN5/660/16/V	45.16
2.500		RHYD-SKN5/660/20/V	50.96
3.000		RHYD-SKN5/660/24/V	66.46
3.500		RHYD-SKN5/660/28/V	77.64
4.000		RHYD-SKN5/660/32/V	81.14
4.500		RHYD-SKN5/660/36/V	85.64
5.000		RHYD-SKN5/660/40/V	102.96
5.500		RHYD-SKN5/660/44/V	116.28

All manufacturer's names, part numbers and descriptions are used for reference purposes only. We do not imply that any part shown is the product of these manufacturers.



- COMPONENTS**
- 1-GLAND CARTRIDGE
 - 2-ROD WIPER
 - 3-BACK UP RING
 - 4-ROD SEAL
 - 5-O'RING & B.UP RING
 - 6-TUBE END SEAL
 - 7-BACK UP RING
 - 8-PISTON SEAL

PISTON LIPSEAL KIT - NBR (6-7-8)

Rod	Bore	Ref. Number	\$
	1.500	RHYD-SKN5/512/03	21.65
	2.000	RHYD-SKN5/512/04	29.76
	2.500	RHYD-SKN5/512/05	31.84
	3.250	RHYD-SKN5/512/065	35.01
	4.000	RHYD-SKN5/512/08	41.97
	5.000	RHYD-SKN5/512/10	51.19
	6.000	RHYD-SKN5/512/12	53.26
	7.000	RHYD-SKN5/512/14	100.74
	8.000	RHYD-SKN5/512/16	141.30
	10.000	RHYD-SKN5/512/20	121.18
	12.000	RHYD-SKN5/512/24	190.47

TUBE END SEAL - (6)

Rod	Bore	Ref. Number	\$
	1.000	RHYD-C255/02	7.14
	1.500	RHYD-C255/03	7.77
	2.000	RHYD-C255/04	8.98
	2.500	RHYD-C255/05	9.47
	3.250	RHYD-C255/065	9.76
	4.000	RHYD-C255/08	11.07
	5.000	RHYD-C255/10	11.80
	6.000	RHYD-C255/12	12.31
	8.000	RHYD-C255/16	14.99
	10.000	RHYD-C255/20-STRIP	25.91
	12.000	RHYD-C255/24-STRIP	30.96

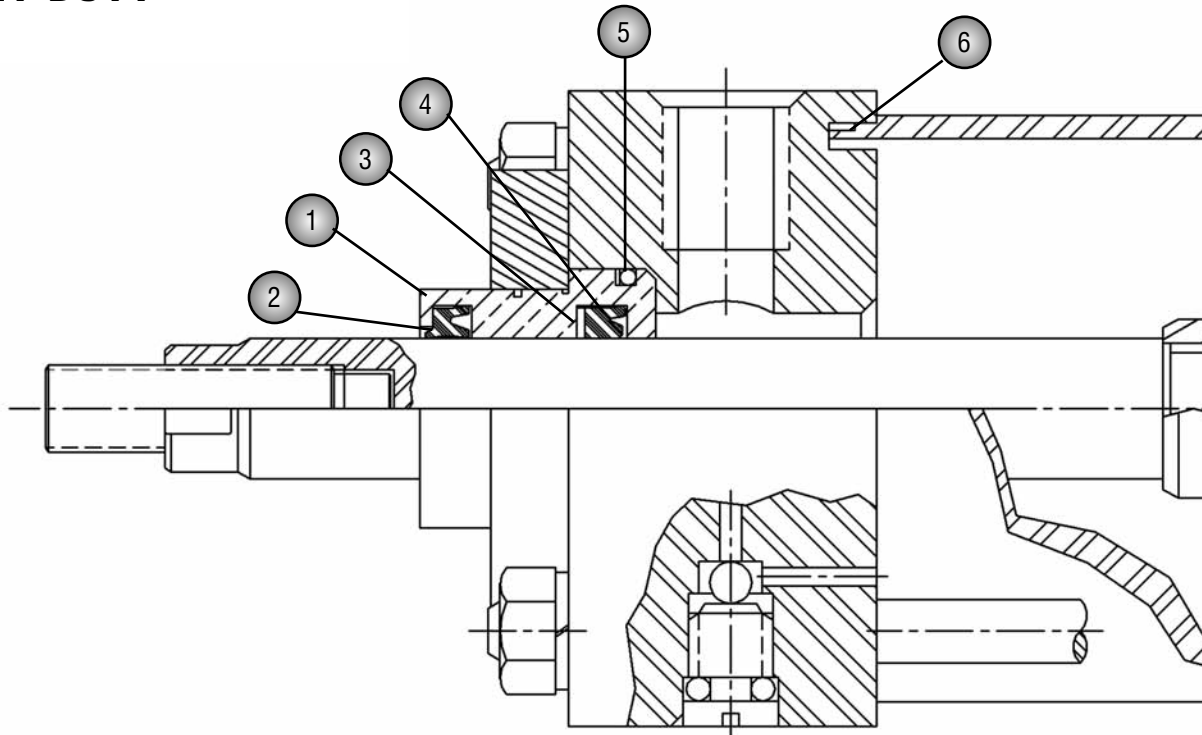
PISTON LIPSEAL KIT - FPM (6-7-8)

Rod	Bore	Ref. Number	\$
	1.500	RHYD-SKN5/512/03/V	53.74
	2.000	RHYD-SKN5/512/04/V	74.39
	2.500	RHYD-SKN5/512/05/V	75.64
	3.250	RHYD-SKN5/512/065/V	79.00
	4.000	RHYD-SKN5/512/08/V	102.26
	5.000	RHYD-SKN5/512/10/V	120.08
	6.000	RHYD-SKN5/512/12/V	142.17
	7.000	RHYD-SKN5/512/14/V	202.91
	8.000	RHYD-SKN5/512/16/V	228.46
	10.000	RHYD-SKN5/512/20/V	415.57
	12.000	RHYD-SKN5/512/24/V	616.15

All manufacturer's names, part numbers and descriptions are used for reference purposes only. We do not imply that any part shown is the product of these manufacturers.

R5 SERIES

AIR CYLINDER LIGHT DUTY



GLAND CARTRIDGE KIT - NBR (1-2-3-4-5)

Rod	Bore	Ref. Number	\$
0.625		RHYD-N5/665/05	111.45
1.000		RHYD-N5/665/08	138.34
1.375		RHYD-N5/665/11	148.00
1.750		RHYD-N5/665/14	172.08
2.000		RHYD-N5/665/16	179.17
2.500		RHYD-N5/665/20	194.44
3.000		RHYD-N5/665/24	292.92
3.500		RHYD-N5/665/28	342.94
4.000		RHYD-N5/665/32	380.09
4.500		RHYD-N5/665/36	537.99
5.000		RHYD-N5/665/40	647.35
5.500		RHYD-N5/665/44	644.50

ROD SEAL KIT - NBR (2-3-4-5)

Rod	Bore	Ref. Number	\$
0.625		RHYD-SKN5/660/05	8.29
1.000		RHYD-SKN5/660/08	8.43
1.375		RHYD-SKN5/660/11	10.57
1.750		RHYD-SKN5/660/14	13.33
2.000		RHYD-SKN5/660/16	14.93
2.500		RHYD-SKN5/660/20	16.42
3.000		RHYD-SKN5/660/24	17.07
3.500		RHYD-SKN5/660/28	18.73
4.000		RHYD-SKN5/660/32	23.50
4.500		RHYD-SKN5/660/36	25.32
5.000		RHYD-SKN5/660/40	37.47
5.500		RHYD-SKN5/660/44	51.09

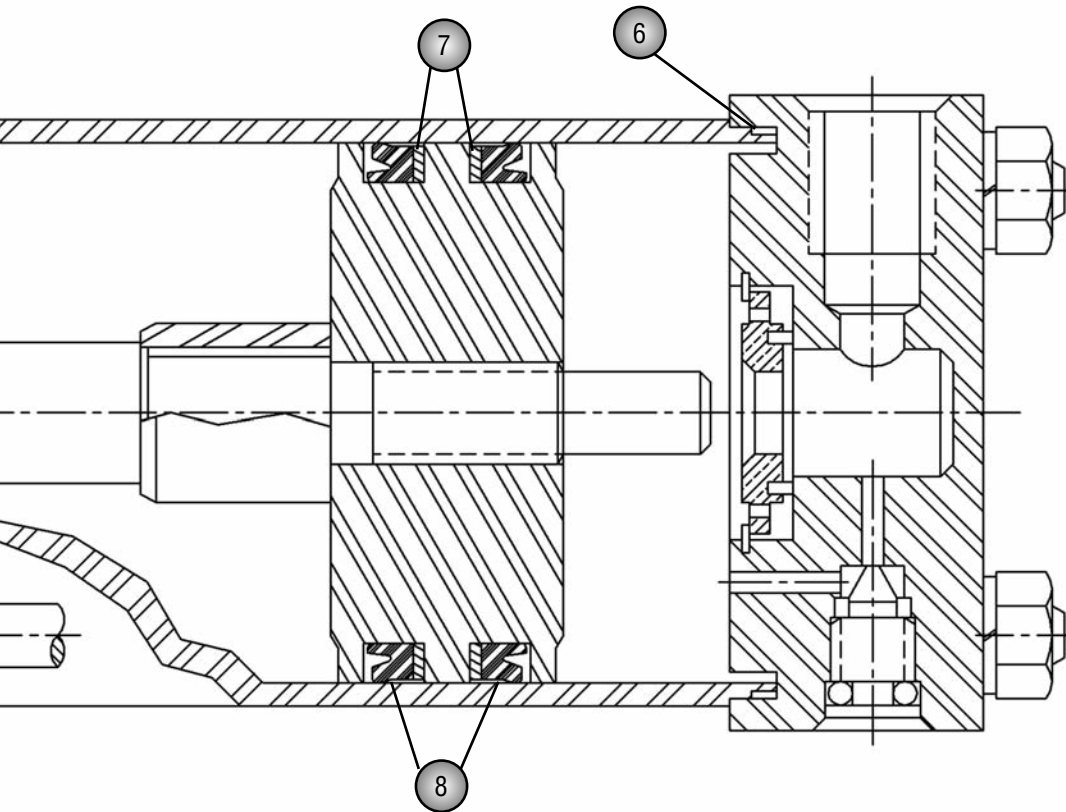
GLAND CARTRIDGE KIT - FPM (1-2-3-4-5)

Rod	Bore	Ref. Number	\$
0.625		RHYD-N5/665/05/V	127.04
1.000		RHYD-N5/665/08/V	155.25
1.375		RHYD-N5/665/11/V	169.72
1.750		RHYD-N5/665/14/V	194.02
2.000		RHYD-N5/665/16/V	204.95
2.500		RHYD-N5/665/20/V	222.59
3.000		RHYD-N5/665/24/V	341.66
3.500		RHYD-N5/665/28/V	386.65
4.000		RHYD-N5/665/32/V	439.73
4.500		RHYD-N5/665/36/V	601.15
5.000		RHYD-N5/665/40/V	727.59
5.500		RHYD-N5/665/44/V	806.86

ROD SEAL KIT - FPM (2-3-4-5)

Rod	Bore	Ref. Number	\$
0.625		RHYD-SKN5/660/05/V	29.76
1.000		RHYD-SKN5/660/08/V	31.28
1.375		RHYD-SKN5/660/11/V	40.88
1.750		RHYD-SKN5/660/14/V	42.38
2.000		RHYD-SKN5/660/16/V	45.16
2.500		RHYD-SKN5/660/20/V	50.96
3.000		RHYD-SKN5/660/24/V	66.46
3.500		RHYD-SKN5/660/28/V	77.64
4.000		RHYD-SKN5/660/32/V	81.14
4.500		RHYD-SKN5/660/36/V	85.64
5.000		RHYD-SKN5/660/40/V	102.96
5.500		RHYD-SKN5/660/44/V	116.28

All manufacturer's names, part numbers and descriptions are used for reference purposes only. We do not imply that any part shown is the product of these manufacturers.



- COMPONENTS**
- 1-GLAND CARTRIDGE
 - 2-ROD WIPER
 - 3-BACK UP RING
 - 4-ROD SEAL
 - 5-O'RING & B.UP RING
 - 6-TUBE END SEAL
 - 7-BACK UP RING
 - 8-PISTON SEAL

PISTON LIPSEAL KIT - NBR (6-7-8)

Rod	Bore	Ref. Number	\$
	1.000	RHYD-SKR5/512/02	22.33
	1.500	RHYD-SKR5/512/03	23.59
	2.000	RHYD-SKR5/512/04	25.81
	2.500	RHYD-SKR5/512/05	28.19
	3.250	RHYD-SKR5/512/065	31.28
	4.000	RHYD-SKR5/512/08	36.68
	5.000	RHYD-SKR5/512/10	46.46
	6.000	RHYD-SKR5/512/12	51.84
	8.000	RHYD-SKR5/512/16	134.85
	10.000	RHYD-SKR5/512/20	132.07
	12.000	RHYD-SKR5/512/24	207.61
	14.000	RHYD-SKR5/512/28	298.64

TUBE END SEAL - (6)

Rod	Bore	Ref. Number	\$
	1.000	RHYD-C221/02	5.48
	1.500	RHYD-C221/03	5.88
	2.000	RHYD-C221/04	6.40
	2.500	RHYD-C221/05	7.07
	3.250	RHYD-C221/065	7.62
	4.000	RHYD-C221/08	8.61
	5.000	RHYD-C221/10	11.64
	6.000	RHYD-C221/12	15.00
	8.000	RHYD-C221/16-STRIP	17.92
	10.000	RHYD-C221/20-STRIP	19.85
	12.000	RHYD-C221/24-STRIP	23.77
	14.000	RHYD-C221/28-STRIP	27.78

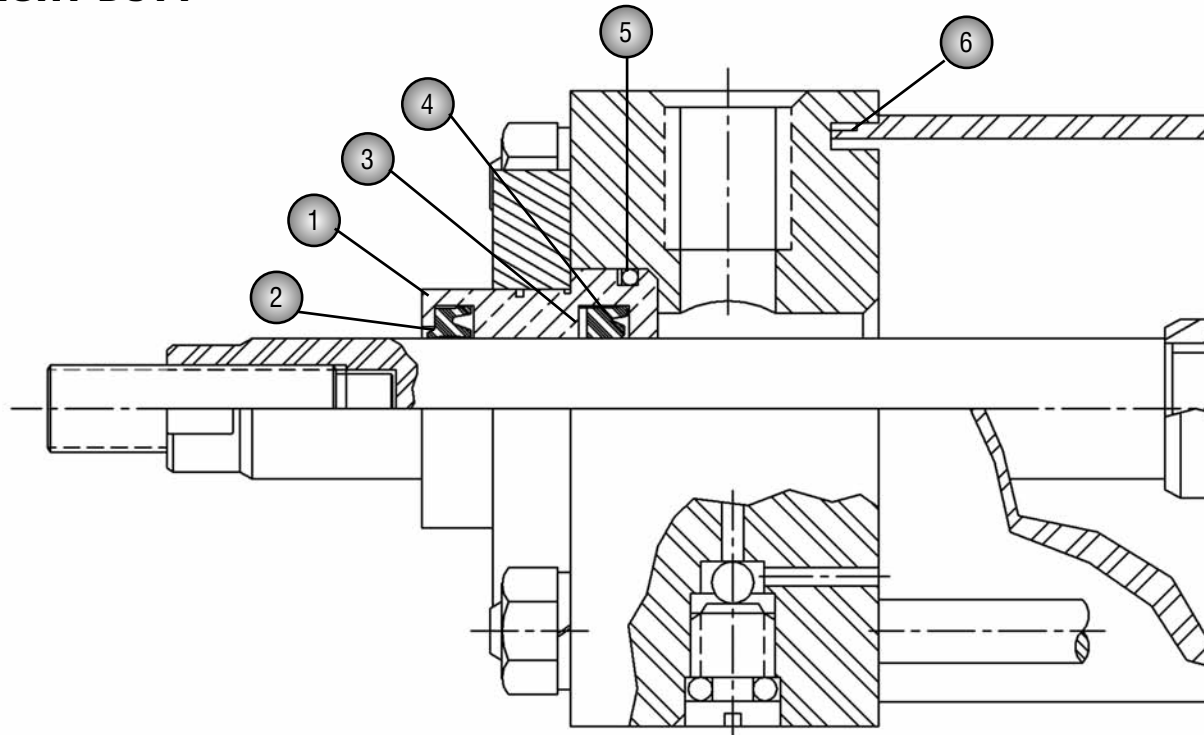
PISTON LIPSEAL KIT - FPM (6-7-8)

Rod	Bore	Ref. Number	\$
	1.000	RHYD-SKR5/512/02/V	47.69
	1.500	RHYD-SKR5/512/03/V	49.92
	2.000	RHYD-SKR5/512/04/V	70.42
	2.500	RHYD-SKR5/512/05/V	71.99
	3.250	RHYD-SKR5/512/065/V	75.33
	4.000	RHYD-SKR5/512/08/V	96.85
	5.000	RHYD-SKR5/512/10/V	107.87
	6.000	RHYD-SKR5/512/12/V	140.76
	8.000	RHYD-SKR5/512/16/V	267.21
	10.000	RHYD-SKR5/512/20/V	452.95
	12.000	RHYD-SKR5/512/24/V	671.58
	14.000	RHYD-SKR5/512/28/V	732.72

All manufacturer's names, part numbers and descriptions are used for reference purposes only. We do not imply that any part shown is the product of these manufacturers.

HA5 SERIES

HYDRAULIC CYLINDER LIGHT DUTY



GLAND CARTRIDGE KIT - NBR (1-2-4-5)

Rod	Bore	Ref. Number	\$
0.625		RHYD-N5/681/05	109.90
1.000		RHYD-N5/681/08	140.33
1.375		RHYD-N5/681/11	157.42

ROD SEAL KIT - NBR (2-4-5)

Rod	Bore	Ref. Number	\$
0.625		RHYD-SKN5/681/05	13.96
1.000		RHYD-SKN5/681/08	15.33
1.375		RHYD-SKN5/681/11	17.07

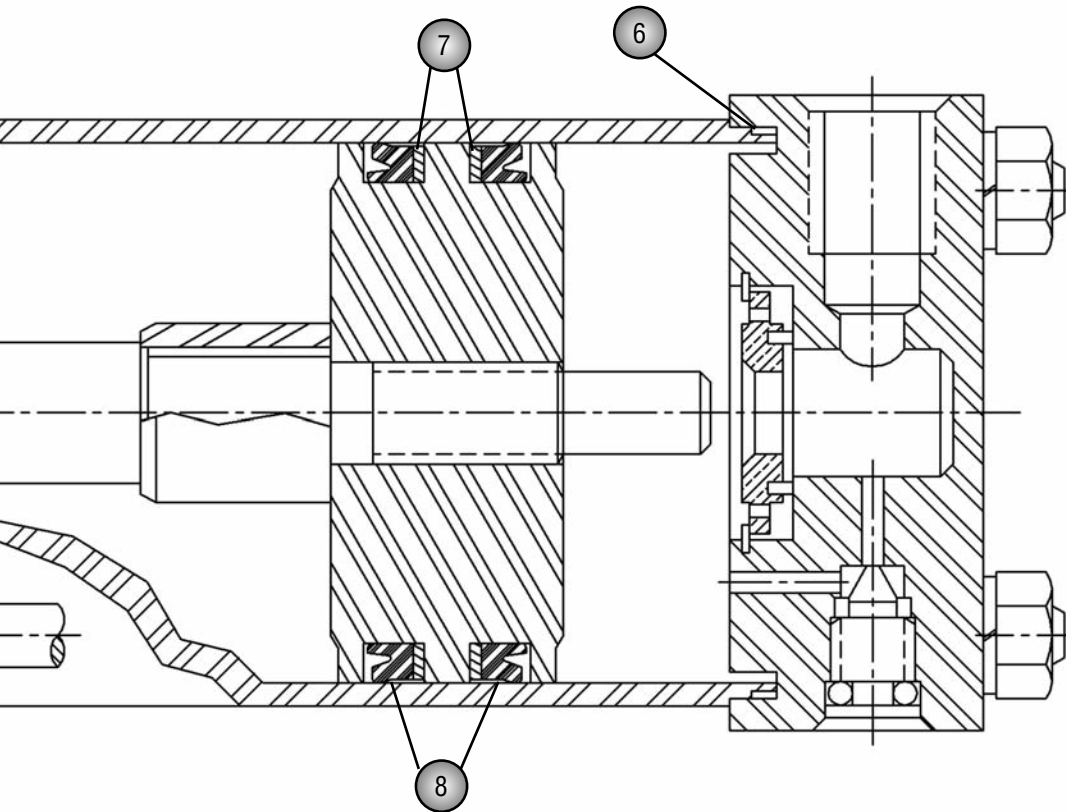
GLAND CARTRIDGE KIT - FPM (1-2-3-4-5)

Rod	Bore	Ref. Number	\$
0.625		RHYD-N5/660/P/05/V	146.78
1.000		RHYD-N5/660/P/08/V	179.02
1.375		RHYD-N5/660/P/11/V	199.21

ROD SEAL KIT - FPM (2-3-4-5)

Rod	Bore	Ref. Number	\$
0.625		RHYD-SKN5/660/P/05/V	50.08
1.000		RHYD-SKN5/660/P/08/V	56.84
1.375		RHYD-SKN5/660/P/11/V	69.64

All manufacturer's names, part numbers and descriptions are used for reference purposes only. We do not imply that any part shown is the product of these manufacturers.



COMPONENTS

- 1-GLAND CARTRIDGE
- 2-ROD WIPER
- 3-BACK UP RING
- 4-ROD SEAL
- 5-O'RING & B.UP RING
- 6-TUBE END SEAL
- 7-BACK UP RING
- 8-PISTON SEAL

PISTON LIPEAL KIT - NBR (6-7-8)

Rod	Bore	Ref. Number	\$
	1.500	RHYD-SKA5/512/03	21.81
	2.000	RHYD-SKA5/512/04	23.24
	2.500	RHYD-SKA5/512/05	25.04
	3.250	RHYD-SKA5/512/065	27.01
	4.000	RHYD-SKA5/512/08	31.43
	5.000	RHYD-SKA5/512/10	39.29
	6.000	RHYD-SKA5/512/12	46.26

TUBE END SEAL - (6)

Rod	Bore	Ref. Number	\$
	1.500	RHYD-C221/03	5.88
	2.000	RHYD-C221/04	6.40
	2.500	RHYD-C221/05	7.07
	3.250	RHYD-C221/065	7.62
	4.000	RHYD-C221/08	8.61
	5.000	RHYD-C221/10	11.64
	6.000	RHYD-C221/12	15.00

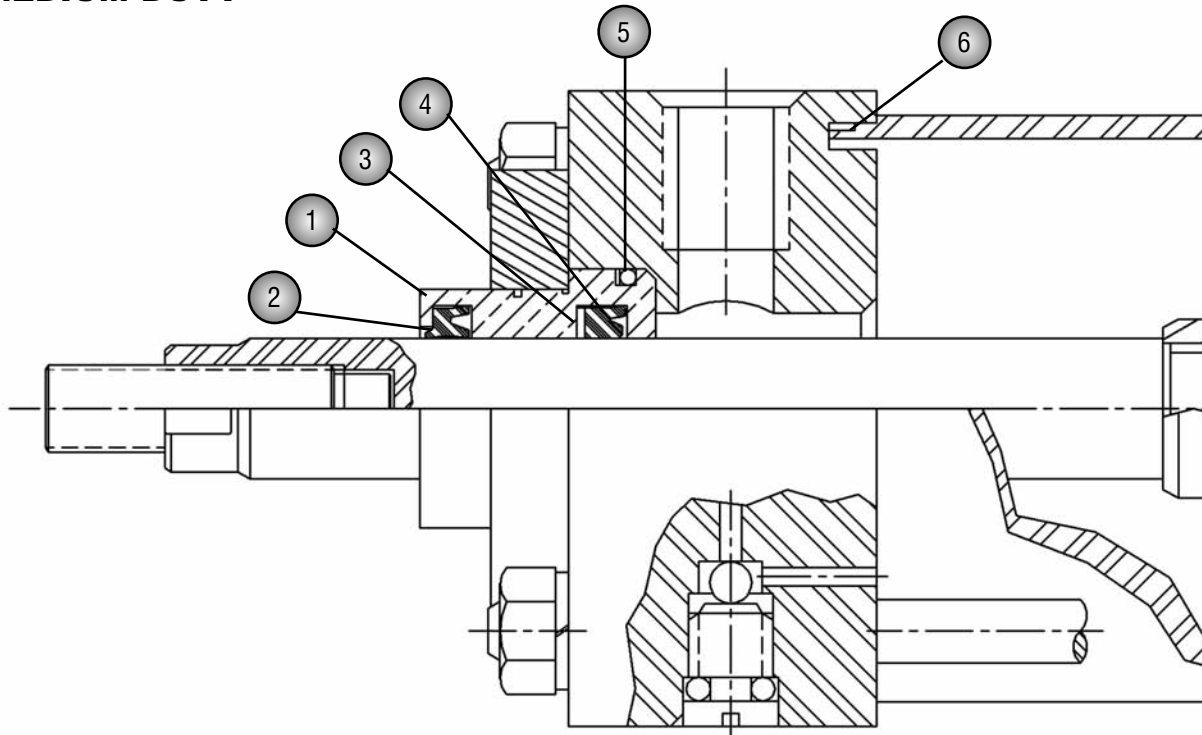
PISTON LIPEAL KIT - FPM (6-7-8)

Rod	Bore	Ref. Number	\$
	1.500	RHYD-SKA5/512/03/V	44.13
	2.000	RHYD-SKA5/512/04/V	45.73
	2.500	RHYD-SKA5/512/05/V	53.93
	3.250	RHYD-SKA5/512/065/V	60.81
	4.000	RHYD-SKA5/512/08/V	66.10
	5.000	RHYD-SKA5/512/10/V	77.52
	6.000	RHYD-SKA5/512/12/V	126.85

All manufacturer's names, part numbers and descriptions are used for reference purposes only. We do not imply that any part shown is the product of these manufacturers.

HR5 SERIES

HYDRAULIC CYLINDER MEDIUM DUTY



GLAND CARTRIDGE KIT - NBR (1-2-3-4-5)

Rod	Bore	Ref. Number	\$
0.625		RHYD-N5/681/05	106.78
1.000		RHYD-N5/681/08	134.44
1.375		RHYD-N5/681/11	143.91
1.750		RHYD-N5/681/14	164.70
2.000		RHYD-N5/681/16	176.31
2.500		RHYD-N5/681/20	196.87
3.000		RHYD-N5/681/24	281.22
3.500		RHYD-N5/681/28	326.96
4.000		RHYD-N5/681/32	361.52
4.500		RHYD-N5/681/36	509.61
5.000		RHYD-N5/681/40	611.66
5.500		RHYD-N5/681/44	665.22

ROD SEAL KIT - NBR (2-3-4-5)

Rod	Bore	Ref. Number	\$
0.625		RHYD-SKN5/681/05	13.96
1.000		RHYD-SKN5/681/08	15.33
1.375		RHYD-SKN5/681/11	17.07
1.750		RHYD-SKN5/681/14	18.26
2.000		RHYD-SKN5/681/16	23.77
2.500		RHYD-SKN5/681/20	33.48
3.000		RHYD-SKN5/681/24	36.50
3.500		RHYD-SKN5/681/28	39.98
4.000		RHYD-SKN5/681/32	46.89
4.500		RHYD-SKN5/681/36	61.59
5.000		RHYD-SKN5/681/40	64.51
5.500		RHYD-SKN5/681/44	70.43

GLAND CARTRIDGE KIT - FPM (1-2-3-4-5)

Rod	Bore	Ref. Number	\$
0.625		RHYD-N5/660/P05/V	140.70
1.000		RHYD-N5/660/P08/V	171.61
1.375		RHYD-N5/660/P11/V	190.96
1.750		RHYD-N5/660/P14/V	217.00
2.000		RHYD-N5/660/P16/V	226.57
2.500		RHYD-N5/660/P20/V	271.18
3.000		RHYD-N5/660/P24/V	368.66
3.500		RHYD-N5/660/P28/V	425.26
4.000		RHYD-N5/660/P32/V	481.53
4.500		RHYD-N5/660/P36/V	628.18
5.000		RHYD-N5/660/P40/V	731.96
5.500		RHYD-N5/660/P44/V	778.57

ROD SEAL KIT - FPM (2-3-4-5)

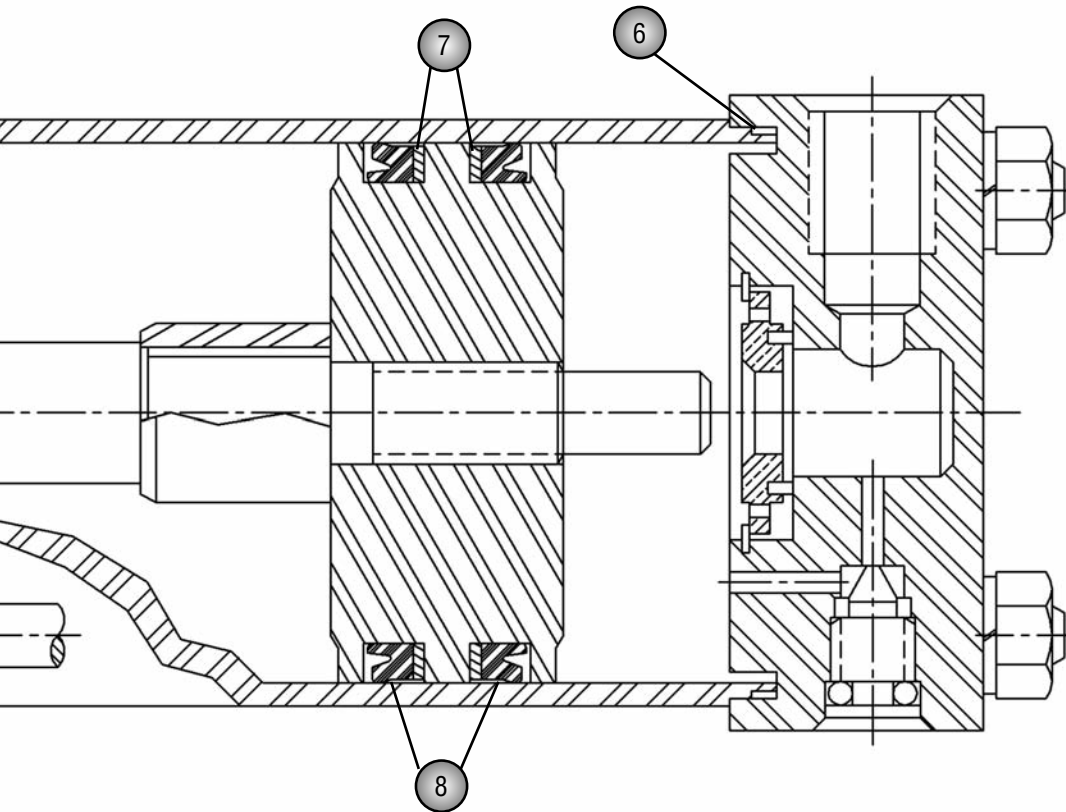
Rod	Bore	Ref. Number	\$
0.625		RHYD-SKN5/660/P05/V	45.94
1.000		RHYD-SKN5/660/P08/V	52.15
1.375		RHYD-SKN5/660/P11/V	63.89
1.750		RHYD-SKN5/660/P14/V	70.41
2.000		RHYD-SKN5/660/P16/V	73.32
2.500		RHYD-SKN5/660/P20/V	106.92
3.000		RHYD-SKN5/660/P24/V	123.14
3.500		RHYD-SKN5/660/P28/V	137.50
4.000		RHYD-SKN5/660/P32/V	166.06
4.500		RHYD-SKN5/660/P36/V	178.10
5.000		RHYD-SKN5/660/P40/V	182.57
5.500		RHYD-SKN5/660/P44/V	186.67

All manufacturer's names, part numbers and descriptions are used for reference purposes only. We do not imply that any part shown is the product of these manufacturers.

INDUSTRIAL
SEAL KITS

MOBILE
SEAL KITS

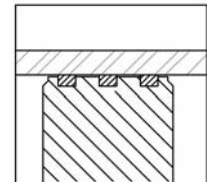
HYDRO-LINE



- COMPONENTS**
- 1-GLAND CARTRIDGE
 - 2-ROD WIPER
 - 3-BACK UP RING
 - 4-ROD SEAL
 - 5-O'RING & B.UP RING
 - 6-TUBE END SEAL
 - 7-BACK UP RING
 - 8-PISTON SEAL

OPTIONS

Piston Ring



PISTON LIPEAL KIT - NBR (6-7-8)

Rod	Bore	Ref. Number	\$
	1.000	RHYD-SKR5/512/02	22.33
	1.500	RHYD-SKR5/512/03	23.59
	2.000	RHYD-SKR5/512/04	25.81
	2.500	RHYD-SKR5/512/05	28.19
	3.250	RHYD-SKR5/512/065	31.28
	4.000	RHYD-SKR5/512/08	36.68
	5.000	RHYD-SKR5/512/10	46.46
	6.000	RHYD-SKR5/512/12	51.84
	8.000	RHYD-SKR5/512/16	134.85
	10.000	RHYD-SKR5/512/20	132.07
	12.000	RHYD-SKR5/512/24	207.61
	14.000	RHYD-SKR5/512/28	298.64

PISTON RING KIT - (OPTIONAL)

Rod	Bore	Ref. Number	\$
	1.000	RHYD-SKR5/511/02	74.41
	1.500	RHYD-SKR5/511/03	49.92
	2.000	RHYD-SKR5/511/04	51.41
	2.500	RHYD-SKR5/511/05	52.25
	3.250	RHYD-SKR5/511/065	60.49
	4.000	RHYD-SKR5/511/08	68.18
	5.000	RHYD-SKR5/511/10	88.18
	6.000	RHYD-SKR5/511/12	97.72
	8.000	RHYD-SKR5/511/16	115.04
	10.000	RHYD-SKR5/511/20	327.68
	12.000	RHYD-SKR5/511/24	455.90
	14.000	RHYD-SKR5/511/28	0.00

PISTON LIPEAL KIT - FPM (6-7-8)

Rod	Bore	Ref. Number	\$
	1.000	RHYD-SKR5/512/02/V	47.69
	1.500	RHYD-SKR5/512/03/V	49.92
	2.000	RHYD-SKR5/512/04/V	70.42
	2.500	RHYD-SKR5/512/05/V	71.99
	3.250	RHYD-SKR5/512/065/V	75.33
	4.000	RHYD-SKR5/512/08/V	96.85
	5.000	RHYD-SKR5/512/10/V	107.87
	6.000	RHYD-SKR5/512/12/V	140.76
	8.000	RHYD-SKR5/512/16/V	267.21
	10.000	RHYD-SKR5/512/20/V	452.95
	12.000	RHYD-SKR5/512/24/V	671.58
	14.000	RHYD-SKR5/512/28/V	732.72

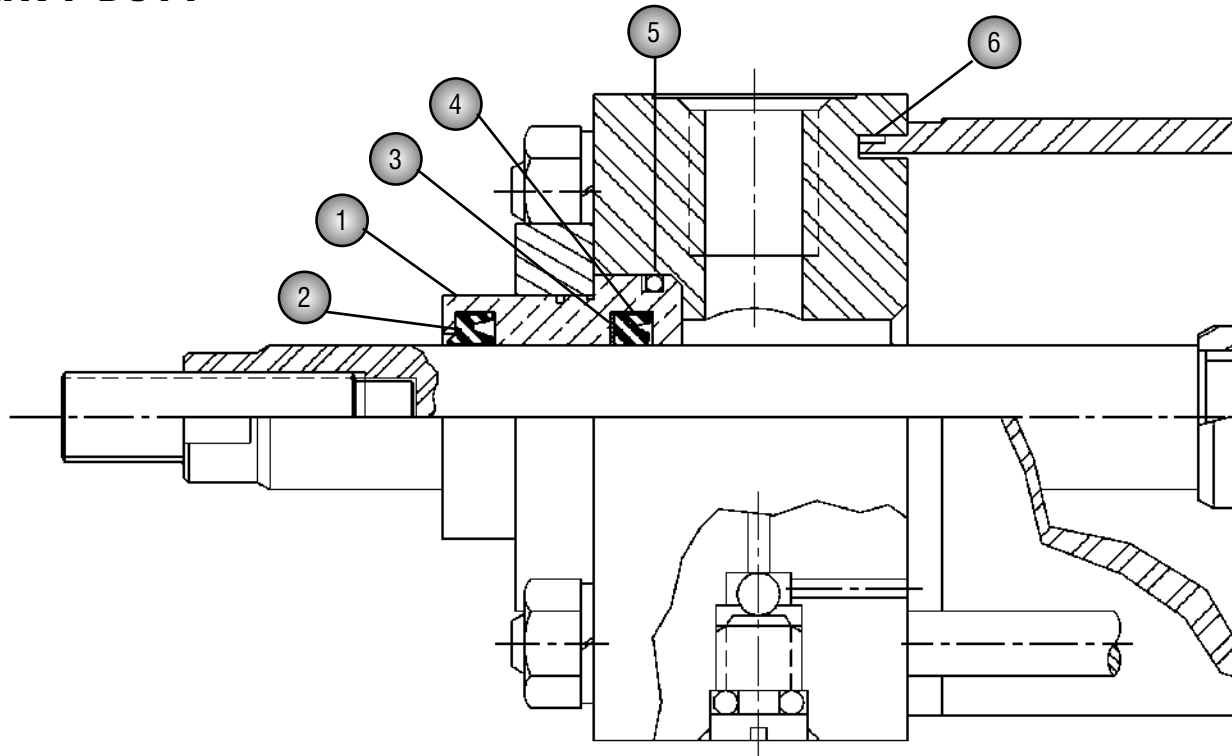
TUBE END SEAL - (6)

Rod	Bore	Ref. Number	\$
	1.000	RHYD-C221/02	5.48
	1.500	RHYD-C221/03	5.88
	2.000	RHYD-C221/04	6.40
	2.500	RHYD-C221/05	7.07
	3.250	RHYD-C221/065	7.62
	4.000	RHYD-C221/08	8.61
	5.000	RHYD-C221/10	11.64
	6.000	RHYD-C221/12	15.00
	8.000	RHYD-C221/16-STRIP	17.92
	10.000	RHYD-C221/20-STRIP	19.85
	12.000	RHYD-C221/24-STRIP	23.77
	14.000	RHYD-C221/28-STRIP	27.78

All manufacturer's names, part numbers and descriptions are used for reference purposes only. We do not imply that any part shown is the product of these manufacturers.

N5 SERIES

HYDRAULIC CYLINDER HEAVY DUTY



GLAND CARTRIDGE KIT - NBR (1-2-4-5)

Rod	Bore	Ref. Number	\$
0.625		RHYD-N5/681/05	109.90
1.000		RHYD-N5/681/08	140.33
1.375		RHYD-N5/681/11	157.42
1.750		RHYD-N5/681/14	171.74
2.000		RHYD-N5/681/16	179.24
2.500		RHYD-N5/681/20	217.06
3.000		RHYD-N5/681/24	333.26
3.500		RHYD-N5/681/28	379.30
4.000		RHYD-N5/681/32	449.87
4.500		RHYD-N5/681/36	655.49
5.000		RHYD-N5/681/40	776.25
5.500		RHYD-N5/681/44	931.50

ROD SEAL KIT - NBR (2-4-5)

Rod	Bore	Ref. Number	\$
0.625		RHYD-SKN5/681/05	13.96
1.000		RHYD-SKN5/681/08	15.33
1.375		RHYD-SKN5/681/11	17.07
1.750		RHYD-SKN5/681/14	18.26
2.000		RHYD-SKN5/681/16	23.77
2.500		RHYD-SKN5/681/20	33.48
3.000		RHYD-SKN5/681/24	36.50
3.500		RHYD-SKN5/681/28	39.98
4.000		RHYD-SKN5/681/32	46.89
4.500		RHYD-SKN5/681/36	61.59
5.000		RHYD-SKN5/681/40	64.51
5.500		RHYD-SKN5/681/44	76.77

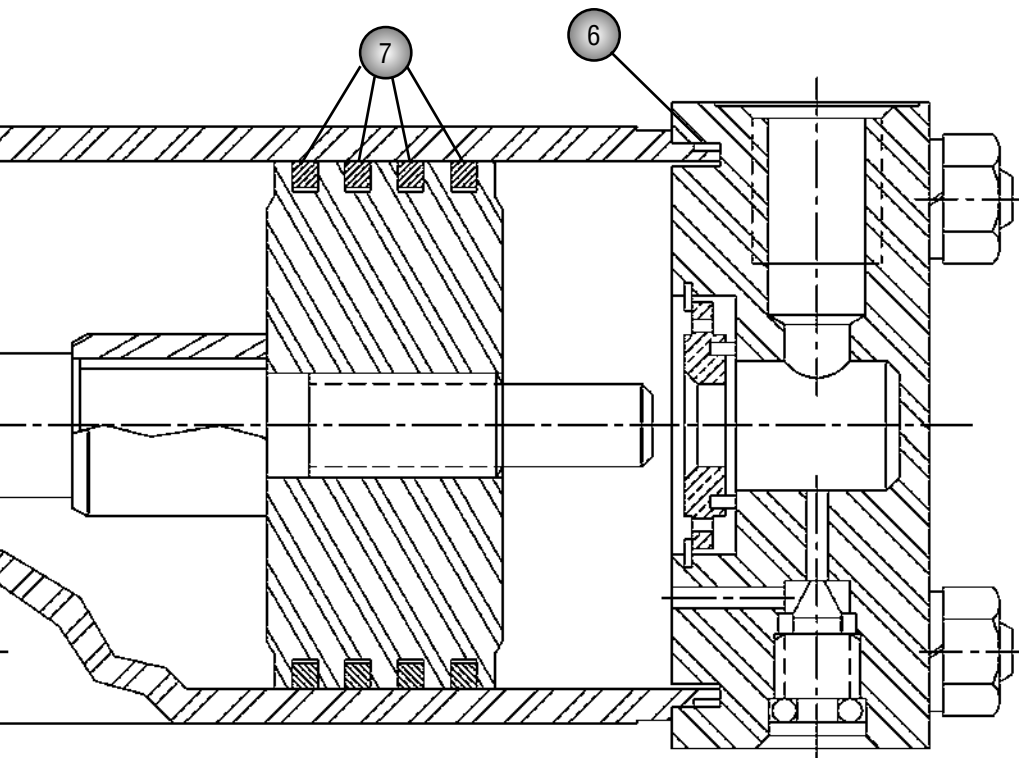
GLAND CARTRIDGE KIT - FPM (1-2-3-4-5)

Rod	Bore	Ref. Number	\$
0.625		RHYD-N5/660/P05/V	140.70
1.000		RHYD-N5/660/P08/V	171.61
1.375		RHYD-N5/660/P11/V	190.96
1.750		RHYD-N5/660/P14/V	217.00
2.000		RHYD-N5/660/P16/V	226.57
2.500		RHYD-N5/660/P20/V	271.18
3.000		RHYD-N5/660/P24/V	368.66
3.500		RHYD-N5/660/P28/V	425.26
4.000		RHYD-N5/660/P32/V	481.53
4.500		RHYD-N5/660/P36/V	628.18
5.000		RHYD-N5/660/P40/V	731.96
5.500		RHYD-N5/660/P44/V	778.57

ROD SEAL KIT - FPM (2-3-4-5)

Rod	Bore	Ref. Number	\$
0.625		RHYD-SKN5/660/P/05/V	50.08
1.000		RHYD-SKN5/660/P/08/V	56.84
1.375		RHYD-SKN5/660/P/11/V	69.64
1.750		RHYD-SKN5/660/P/14/V	76.74
2.000		RHYD-SKN5/660/P/16/V	79.92
2.500		RHYD-SKN5/660/P/20/V	116.54
3.000		RHYD-SKN5/660/P/24/V	134.23
3.500		RHYD-SKN5/660/P/28/V	149.88
4.000		RHYD-SKN5/660/P/32/V	181.01
4.500		RHYD-SKN5/660/P/36/V	194.12
5.000		RHYD-SKN5/660/P/40/V	199.00
5.500		RHYD-SKN5/660/P/44/V	203.45

All manufacturer's names, part numbers and descriptions are used for reference purposes only. We do not imply that any part shown is the product of these manufacturers.



COMPONENTS

- 1-GLAND CARTRIDGE
- 2-ROD WIPER
- 3-BACK UP RING
- 4-ROD SEAL
- 5-O'RING & B.UP RING
- 6-TUBE END SEAL
- 7-PISTON RING

PISTON RING KIT - NBR (6-7)

Rod	Bore	Ref. Number	\$
	1.500	RHYD-SKN5/511/03	68.68
	2.000	RHYD-SKN5/511/04	74.86
	2.500	RHYD-SKN5/511/05	75.47
	3.250	RHYD-SKN5/511/065	77.79
	4.000	RHYD-SKN5/511/08	89.14
	5.000	RHYD-SKN5/511/10	108.51
	6.000	RHYD-SKN5/511/12	122.33
	7.000	RHYD-SKN5/511/14	144.56
	8.000	RHYD-SKN5/511/16	183.45
	10.000	RHYD-SKN5/511/20	322.79
	12.000	RHYD-SKN5/511/24	436.63

TUBE END SEAL - (6)

Rod	Bore	Ref. Number	\$
	1.000	RHYD-C255/02	7.83
	1.500	RHYD-C255/03	7.77
	2.000	RHYD-C255/04	8.98
	2.500	RHYD-C255/05	9.47
	3.250	RHYD-C255/065	9.76
	4.000	RHYD-C255/08	11.07
	5.000	RHYD-C255/10	11.80
	6.000	RHYD-C255/12	12.31
	8.000	RHYD-C255/16-STRIP	14.57
	10.000	RHYD-C255/20-STRIP	25.91
	12.000	RHYD-C255/24-STRIP	30.96

All manufacturer's names, part numbers and descriptions are used for reference purposes only. We do not imply that any part shown is the product of these manufacturers.

Remsa [KITS]

**INDUSTRIAL
SEAL KITS**

**MOBILE
SEAL KITS**

HYDRO-LINE

Rod	Bore	Ref. Number	\$	Rod	Bore	Ref. Number	\$
	1.000	RHYD-C221/02	5.48	1.750		RHYD-N5/665/14/V	194.02
	1.500	RHYD-C221/03	5.88	2.000		RHYD-N5/665/16	179.17
	2.000	RHYD-C221/04	6.40	2.000		RHYD-N5/665/16/V	204.95
	2.500	RHYD-C221/05	7.07	2.500		RHYD-N5/665/20	194.44
	3.250	RHYD-C221/065	7.62	2.500		RHYD-N5/665/20/V	222.59
	4.000	RHYD-C221/08	8.61	3.000		RHYD-N5/665/24	292.92
	5.000	RHYD-C221/10	11.64	3.000		RHYD-N5/665/24/V	341.66
	6.000	RHYD-C221/12	15.00	3.500		RHYD-N5/665/28	342.94
	8.000	RHYD-C221/16-STRIP	17.92	3.500		RHYD-N5/665/28/V	386.65
	10.000	RHYD-C221/20-STRIP	19.85	4.000		RHYD-N5/665/32	380.09
	12.000	RHYD-C221/24-STRIP	23.77	4.000		RHYD-N5/665/32/V	439.73
	14.000	RHYD-C221/28-STRIP	27.78	4.500		RHYD-N5/665/36	537.99
	1.000	RHYD-C255/02	7.14	4.500		RHYD-N5/665/36/V	601.15
	1.500	RHYD-C255/03	7.77	4.500		RHYD-N5/665/36A	537.99
	2.000	RHYD-C255/04	8.98	4.500		RHYD-N5/665/36A/V	601.15
	2.500	RHYD-C255/05	9.47	5.000		RHYD-N5/665/40	647.35
	3.250	RHYD-C255/065	9.76	5.000		RHYD-N5/665/40/V	727.59
	4.000	RHYD-C255/08	11.07	5.500		RHYD-N5/665/44	702.48
	5.000	RHYD-C255/10	11.80	5.500		RHYD-N5/665/44	644.50
	6.000	RHYD-C255/12	12.31	5.500		RHYD-N5/665/44/V	806.86
	8.000	RHYD-C255/16	14.99	5.500		RHYD-N5/665/44/V	806.86
	8.000	RHYD-C255/16-STRIP	14.57	0.625		RHYD-N5/681/05	109.90
	10.000	RHYD-C255/20-STRIP	25.91	1.000		RHYD-N5/681/08	140.33
	12.000	RHYD-C255/24-STRIP	30.96	1.375		RHYD-N5/681/11	157.42
0.625		RHYD-N5/655/05	107.42	1.750		RHYD-N5/681/14	164.70
1.000		RHYD-N5/655/08	135.21	2.000		RHYD-N5/681/16	176.31
1.375		RHYD-N5/655/11	144.05	2.500		RHYD-N5/681/20	196.87
1.750		RHYD-N5/655/14	166.13	3.000		RHYD-N5/681/24	281.22
2.000		RHYD-N5/655/16	173.66	3.500		RHYD-N5/681/28	326.96
2.500		RHYD-N5/655/20	186.95	4.000		RHYD-N5/681/32	361.52
3.000		RHYD-N5/655/24	278.38	4.500		RHYD-N5/681/36	509.61
3.500		RHYD-N5/655/28	326.11	5.000		RHYD-N5/681/40	611.66
4.000		RHYD-N5/655/32	357.91	5.500		RHYD-N5/681/44	665.22
4.500		RHYD-N5/655/36	509.05	0.625		RHYD-N5/B/650/05	105.04
4.500		RHYD-N5/655/36A	509.05	1.000		RHYD-N5/B/650/08	112.54
5.000		RHYD-N5/655/40	620.38	1.375		RHYD-N5/B/650/11	132.49
5.500		RHYD-N5/655/44	668.12	1.750		RHYD-N5/B/650/14	152.87
0.625		RHYD-N5/660/P/05/V	146.78	2.000		RHYD-N5/B/650/16	158.08
1.000		RHYD-N5/660/P/08/V	179.02	2.500		RHYD-N5/B/650/20	199.14
1.375		RHYD-N5/660/P/11/V	199.21	3.000		RHYD-N5/B/650/24	212.16
0.625		RHYD-N5/660/P05/V	140.70	3.500		RHYD-N5/B/650/28	376.49
1.000		RHYD-N5/660/P08/V	171.61	4.000		RHYD-N5/B/650/32	404.67
1.375		RHYD-N5/660/P11/V	190.96	4.500		RHYD-N5/B/650/36	557.55
1.750		RHYD-N5/660/P14/V	217.00	4.500		RHYD-N5/B/650/36A	438.66
2.000		RHYD-N5/660/P16/V	226.57	5.000		RHYD-N5/B/650/40	612.59
2.500		RHYD-N5/660/P20/V	271.18	5.500		RHYD-N5/B/650/44	639.51
3.000		RHYD-N5/660/P24/V	368.66		1.500	RHYD-SKA5/512/03	21.81
3.500		RHYD-N5/660/P28/V	425.26		1.500	RHYD-SKA5/512/03/V	44.13
4.000		RHYD-N5/660/P32/V	481.53		2.000	RHYD-SKA5/512/04	23.24
4.500		RHYD-N5/660/P36/V	628.18		2.000	RHYD-SKA5/512/04/V	45.73
5.000		RHYD-N5/660/P40/V	731.96		2.500	RHYD-SKA5/512/05	25.04
5.500		RHYD-N5/660/P44/V	778.57		2.500	RHYD-SKA5/512/05/V	53.93
0.625		RHYD-N5/665/05	111.45		3.250	RHYD-SKA5/512/065	27.01
0.625		RHYD-N5/665/05/V	127.04		3.250	RHYD-SKA5/512/065/V	60.81
1.000		RHYD-N5/665/08	138.34		4.000	RHYD-SKA5/512/08	31.43
1.000		RHYD-N5/665/08/V	155.25		4.000	RHYD-SKA5/512/08/V	66.10
1.375		RHYD-N5/665/11	148.00		5.000	RHYD-SKA5/512/10	39.29
1.375		RHYD-N5/665/11/V	169.72		5.000	RHYD-SKA5/512/10/V	77.52
1.750		RHYD-N5/665/14	172.08		6.000	RHYD-SKA5/512/12	46.26

All manufacturer's names, part numbers and descriptions are used for reference purposes only. We do not imply that any part shown is the product of these manufacturers.

Rod	Bore	Ref. Number	\$	Rod	Bore	Ref. Number	\$
	6.000	RHYD-SKA5/512/12/V	126.85		6.000	RHYD-SKN25/511/12	156.62
	1.500	RHYD-SKE2/512/03	15.02		7.000	RHYD-SKN25/511/14	156.47
	2.000	RHYD-SKE2/512/04	22.14		8.000	RHYD-SKN25/511/16	190.52
	3.250	RHYD-SKE2/512/065	21.27		1.500	RHYD-SKN25/512/03	32.73
	4.000	RHYD-SKE2/512/08	37.12		1.500	RHYD-SKN25/512/03/V	64.44
0.625		RHYD-SKE2/660/05	3.68		2.000	RHYD-SKN25/512/04	36.72
1.000		RHYD-SKE2/660/08	4.10		2.000	RHYD-SKN25/512/04/V	93.60
1.375		RHYD-SKE2/660/11	4.55		2.500	RHYD-SKN25/512/05	38.30
	1.500	RHYD-SKN2/511/03	69.14		2.500	RHYD-SKN25/512/05/V	100.89
	2.000	RHYD-SKN2/511/04	78.83		3.250	RHYD-SKN25/512/065	50.01
	2.500	RHYD-SKN2/511/05	80.10		3.250	RHYD-SKN25/512/065/V	107.26
	3.250	RHYD-SKN2/511/065	84.55		4.000	RHYD-SKN25/512/08	58.87
	4.000	RHYD-SKN2/511/08	95.18		4.000	RHYD-SKN25/512/08/V	132.42
	5.000	RHYD-SKN2/511/10	115.83		5.000	RHYD-SKN25/512/10	77.12
	6.000	RHYD-SKN2/511/12	122.33		5.000	RHYD-SKN25/512/10/V	145.82
	7.000	RHYD-SKN2/511/14	137.02		6.000	RHYD-SKN25/512/12	87.57
	8.000	RHYD-SKN2/511/16	168.47		6.000	RHYD-SKN25/512/12/V	216.17
	10.000	RHYD-SKN2/511/20	351.83		7.000	RHYD-SKN25/512/14	103.76
	12.000	RHYD-SKN2/511/24	475.91		7.000	RHYD-SKN25/512/14/V	259.58
	1.500	RHYD-SKN2/512/03	27.85		8.000	RHYD-SKN25/512/16	146.61
	1.500	RHYD-SKN2/512/03/V	54.20	0.625	8.000	RHYD-SKN25/512/16/V	215.10
	2.000	RHYD-SKN2/512/04	33.74	0.625		RHYD-SKN25/665/05	9.61
	2.000	RHYD-SKN2/512/04/V	71.17	1.000		RHYD-SKN25/665/05/V	33.34
	2.500	RHYD-SKN2/512/05	36.44	1.000		RHYD-SKN25/665/08	10.00
	2.500	RHYD-SKN2/512/05/V	75.64	1.000		RHYD-SKN25/665/08/V	34.69
	3.250	RHYD-SKN2/512/065	35.01	1.375		RHYD-SKN25/665/11	12.77
	3.250	RHYD-SKN2/512/065/V	85.99	1.375		RHYD-SKN25/665/11/V	44.05
	4.000	RHYD-SKN2/512/08	42.07	1.750		RHYD-SKN25/665/14	16.13
	4.000	RHYD-SKN2/512/08/V	101.71	1.750		RHYD-SKN25/665/14/V	49.45
	5.000	RHYD-SKN2/512/10	54.05	2.000		RHYD-SKN25/665/16	18.02
	5.000	RHYD-SKN2/512/10/V	112.63	2.000		RHYD-SKN25/665/16/V	52.40
	6.000	RHYD-SKN2/512/12	60.74	2.500		RHYD-SKN25/665/20	21.55
	6.000	RHYD-SKN2/512/12/V	149.63	2.500		RHYD-SKN25/665/20/V	59.62
	7.000	RHYD-SKN2/512/14	92.74	1.500		RHYD-SKN5/511/03	68.68
	7.000	RHYD-SKN2/512/14/V	220.41	2.000		RHYD-SKN5/511/04	74.86
	8.000	RHYD-SKN2/512/16	117.46	2.500		RHYD-SKN5/511/05	75.47
	8.000	RHYD-SKN2/512/16/V	243.48	3.250		RHYD-SKN5/511/065	77.79
	10.000	RHYD-SKN2/512/20	132.07	4.000		RHYD-SKN5/511/08	89.14
	10.000	RHYD-SKN2/512/20/V	452.95	5.000		RHYD-SKN5/511/10	108.51
	12.000	RHYD-SKN2/512/24	207.61	6.000		RHYD-SKN5/511/12	122.33
	12.000	RHYD-SKN2/512/24/V	671.58	7.000		RHYD-SKN5/511/14	144.56
0.625		RHYD-SKN2/661/05	8.32	8.000		RHYD-SKN5/511/16	183.45
0.625		RHYD-SKN2/661/05/V	30.81	10.000		RHYD-SKN5/511/20	322.79
1.000		RHYD-SKN2/661/08	8.26	12.000		RHYD-SKN5/511/24	436.63
1.000		RHYD-SKN2/661/08/V	32.70	1.500		RHYD-SKN5/512/03	21.65
1.375		RHYD-SKN2/661/11	10.08	1.500		RHYD-SKN5/512/03/V	53.74
1.375		RHYD-SKN2/661/11/V	36.44	2.000		RHYD-SKN5/512/04	29.76
1.750		RHYD-SKN2/661/14	11.84	2.000		RHYD-SKN5/512/04/V	74.39
1.750		RHYD-SKN2/661/14/V	42.71	2.500		RHYD-SKN5/512/05	31.84
2.000		RHYD-SKN2/661/16	13.11	2.500		RHYD-SKN5/512/05/V	75.64
2.000		RHYD-SKN2/661/16/V	45.10	3.250		RHYD-SKN5/512/065	35.01
2.500		RHYD-SKN2/661/20	17.47	3.250		RHYD-SKN5/512/065/V	79.00
2.500		RHYD-SKN2/661/20/V	50.34	4.000		RHYD-SKN5/512/08	41.97
	1.500	RHYD-SKN25/511/03	88.34	4.000		RHYD-SKN5/512/08/V	102.26
	2.000	RHYD-SKN25/511/04	98.85	5.000		RHYD-SKN5/512/10	51.19
	2.500	RHYD-SKN25/511/05	100.74	5.000		RHYD-SKN5/512/10/V	120.08
	3.250	RHYD-SKN25/511/065	105.84	6.000		RHYD-SKN5/512/12	53.26
	4.000	RHYD-SKN25/511/08	119.31	6.000		RHYD-SKN5/512/12/V	142.17
	5.000	RHYD-SKN25/511/10	141.72	7.000		RHYD-SKN5/512/14	100.74

All manufacturer's names, part numbers and descriptions are used for reference purposes only. We do not imply that any part shown is the product of these manufacturers.

Remsa [KITS]

**INDUSTRIAL
SEAL KITS**

**MOBILE
SEAL KITS**

HYDRO-LINE

Rod	Bore	Ref. Number	\$	Rod	Bore	Ref. Number	\$
	7.000	RHYD-SKN5/512/14/V	202.91	2.500		RHYD-SKN5/660/P20/V	106.92
	8.000	RHYD-SKN5/512/16	141.30	3.000		RHYD-SKN5/660/P24/V	123.14
	8.000	RHYD-SKN5/512/16/V	228.46	3.500		RHYD-SKN5/660/P28/V	137.50
	10.000	RHYD-SKN5/512/20	121.18	4.000		RHYD-SKN5/660/P32/V	166.06
	10.000	RHYD-SKN5/512/20/V	415.57	4.500		RHYD-SKN5/660/P36/V	178.10
	12.000	RHYD-SKN5/512/24	190.47	5.000		RHYD-SKN5/660/P40/V	182.57
	12.000	RHYD-SKN5/512/24/V	616.15	5.500		RHYD-SKN5/660/P44/V	186.67
	2.500	RHYD-SKN5/512/P/05	36.26	0.625		RHYD-SKN5/681/05	13.96
	8.000	RHYD-SKN5/512/P/16	181.55	0.625		RHYD-SKN5/681/05A	12.19
0.500		RHYD-SKN5/660/04	6.77	1.000		RHYD-SKN5/681/08	15.33
0.500		RHYD-SKN5/660/04/V	24.94	1.375		RHYD-SKN5/681/11	17.07
0.625		RHYD-SKN5/660/05	8.29	1.750		RHYD-SKN5/681/14	18.26
0.625		RHYD-SKN5/660/05/V	29.76	2.000		RHYD-SKN5/681/16	23.77
1.000		RHYD-SKN5/660/08	8.43	2.500		RHYD-SKN5/681/20	33.48
1.000		RHYD-SKN5/660/08/V	31.28	3.000		RHYD-SKN5/681/24	36.50
1.375		RHYD-SKN5/660/11	10.57	3.500		RHYD-SKN5/681/28	39.98
1.375		RHYD-SKN5/660/11/V	40.88	4.000		RHYD-SKN5/681/32	46.89
1.750		RHYD-SKN5/660/14	13.33	4.500		RHYD-SKN5/681/36	61.59
1.750		RHYD-SKN5/660/14/V	42.38	5.000		RHYD-SKN5/681/40	64.51
2.000		RHYD-SKN5/660/16	14.93	5.500		RHYD-SKN5/681/44	76.77
2.000		RHYD-SKN5/660/16/V	45.16	5.500		RHYD-SKN5/681/44	70.43
2.500		RHYD-SKN5/660/20	16.42	0.625	1.000	RHYD-SKR2/662/05A	7.29
2.500		RHYD-SKN5/660/20/V	50.96	0.625	1.000	RHYD-SKR2/662/05A/V	30.73
3.000		RHYD-SKN5/660/24	17.07	1.000	1.500, 2.000, 2.500	RHYD-SKR2/662/08	7.95
3.000		RHYD-SKN5/660/24/V	66.46	1.000	1.500, 2.000, 2.500	RHYD-SKR2/662/08/V	31.36
3.500		RHYD-SKN5/660/28	18.73	1.375	2.000, 2.500	RHYD-SKR2/662/11	9.68
3.500		RHYD-SKN5/660/28/V	77.64	1.375	2.000, 2.500	RHYD-SKR2/662/11/V	40.41
4.000		RHYD-SKN5/660/32	23.50	1.750	2.500	RHYD-SKR2/662/14	11.90
4.000		RHYD-SKN5/660/32/V	81.14	1.750	2.500	RHYD-SKR2/662/14/V	41.53
4.500		RHYD-SKN5/660/36	25.32	0.625	1.000	RHYD-SKR2/662/P/05A/V	47.41
4.500		RHYD-SKN5/660/36/V	85.64	1.000	1.500, 2.000, 2.500	RHYD-SKR2/662/P/08/V	57.31
5.000		RHYD-SKN5/660/40	37.47	1.375	2.000, 2.500	RHYD-SKR2/662/P/11/V	68.80
5.000		RHYD-SKN5/660/40/V	102.96	1.750	2.500	RHYD-SKR2/662/P/14/V	77.03
5.500		RHYD-SKN5/660/44	51.09	0.625	1.000	RHYD-SKR2/681/05A	12.19
5.500		RHYD-SKN5/660/44/V	116.28	1.000	1.500, 2.000, 2.500	RHYD-SKR2/681/08	15.13
0.500		RHYD-SKN5/660/P/04	11.75	1.375	2.000, 2.500	RHYD-SKR2/681/11	15.33
0.500		RHYD-SKN5/660/P/04/V	47.11	1.750	2.500	RHYD-SKR2/681/14	16.00
0.625		RHYD-SKN5/660/P/05/V	50.08		1.000	RHYD-SKR5/511/02	74.41
0.625		RHYD-SKN5/660/P/05A/V	47.42		1.500	RHYD-SKR5/511/03	49.92
1.000		RHYD-SKN5/660/P/08	13.05		2.000	RHYD-SKR5/511/04	51.41
1.000		RHYD-SKN5/660/P/08/V	56.84		2.500	RHYD-SKR5/511/05	52.25
1.375		RHYD-SKN5/660/P/11/V	69.64		3.250	RHYD-SKR5/511/065	60.49
1.750		RHYD-SKN5/660/P/14	16.19		4.000	RHYD-SKR5/511/08	68.18
1.750		RHYD-SKN5/660/P/14/V	76.74		5.000	RHYD-SKR5/511/10	88.18
2.000		RHYD-SKN5/660/P/16/V	79.92		6.000	RHYD-SKR5/511/12	97.72
2.500		RHYD-SKN5/660/P/20	24.38		8.000	RHYD-SKR5/511/16	115.04
2.500		RHYD-SKN5/660/P/20/V	116.54		10.000	RHYD-SKR5/511/20	327.68
3.000		RHYD-SKN5/660/P/24/V	134.23		12.000	RHYD-SKR5/511/24	455.90
3.500		RHYD-SKN5/660/P/28	29.98		14.000	RHYD-SKR5/511/28	0/R
3.500		RHYD-SKN5/660/P/28/V	149.88		1.000	RHYD-SKR5/512/02	22.33
4.000		RHYD-SKN5/660/P/32/V	181.01		1.000	RHYD-SKR5/512/02/V	47.69
4.500		RHYD-SKN5/660/P/36/V	194.12		1.500	RHYD-SKR5/512/03	23.59
5.000		RHYD-SKN5/660/P/40/V	199.00		1.500	RHYD-SKR5/512/03/V	49.92
5.500		RHYD-SKN5/660/P/44/V	203.45		2.000	RHYD-SKR5/512/04	25.81
0.625		RHYD-SKN5/660/P05/V	45.94		2.000	RHYD-SKR5/512/04/V	70.42
1.000		RHYD-SKN5/660/P08/V	52.15		2.500	RHYD-SKR5/512/05	28.19
1.375		RHYD-SKN5/660/P11/V	63.89		2.500	RHYD-SKR5/512/05/V	71.99
1.750		RHYD-SKN5/660/P14/V	70.41		3.250	RHYD-SKR5/512/065	31.28
2.000		RHYD-SKN5/660/P16/V	73.32		3.250	RHYD-SKR5/512/065/V	75.33

All manufacturer's names, part numbers and descriptions are used for reference purposes only. We do not imply that any part shown is the product of these manufacturers.

Remsa [KITS]

Rod	Bore	Ref. Number	\$	Rod	Bore	Ref. Number	\$
	4.000	RHYD-SKR5/512/08	36.68		8.000	RHYD-SKR5/512/16/V	267.21
	4.000	RHYD-SKR5/512/08/V	96.85		10.000	RHYD-SKR5/512/20	132.07
	5.000	RHYD-SKR5/512/10	46.46		10.000	RHYD-SKR5/512/20/V	452.95
	5.000	RHYD-SKR5/512/10/V	107.87		12.000	RHYD-SKR5/512/24	207.61
	6.000	RHYD-SKR5/512/12	51.84		12.000	RHYD-SKR5/512/24/V	671.58
	6.000	RHYD-SKR5/512/12/V	140.76		14.000	RHYD-SKR5/512/28	298.64
	8.000	RHYD-SKR5/512/16	134.85		14.000	RHYD-SKR5/512/28/V	732.72

**INDUSTRIAL
SEAL KITS**

**MOBILE
SEAL KITS**

HYDRO-LINE

All manufacturer's names, part numbers and descriptions are used for reference purposes only. We do not imply that any part shown is the product of these manufacturers.

INDUSTRIAL
SEAL KITS

MOBILE
SEAL KITS

HYDRO-LINE



All manufacturer's names, part numbers and descriptions are used for reference purposes only. We do not imply that any part shown is the product of these manufacturers.

MILLER

CYLINDERS PRODUCT RANGE

INDUSTRIAL
SEAL KITS

MOBILE
SEAL KITS

Cylinder Type	Duty	Series	Pressure rating	Specification
AIR CYLINDERS		A	250 PSI/17 BAR	NFPA INTERCHANGEABLE
		B	250 PSI/17 BAR	NFPA INTERCHANGEABLE
HYDRAULIC CYLINDERS	MEDIUM DUTY	JV	1000 PSI/70 BAR	NFPA INTERCHANGEABLE
		J	2300 PSI/ 160 BAR	NFPA INTERCHANGEABLE
	HEAVY DUTY	HV2	3000 PSI/200 BAR	NFPA INTERCHANGEABLE
		HV2 LARGE BORE	3000 PSI/200 BAR	NFPA INTERCHANGEABLE
H	5000 PSI/340 BAR	NFPA INTERCHANGEABLE		

INDEX

Cylinder Type	Duty	Series	Page
AIR CYLINDERS		A	KITS 42
		B	KITS 44
HYDRAULIC CYLINDERS	MEDIUM DUTY	JV	KITS 46
		J	KITS 50
	HEAVY DUTY	HV2	KITS 52
		HV2 - Large Bore	KITS 56
		H	KITS 58
INDIVIDUAL PARTS		KITS 60	

MILLER

All manufacturer's names, part numbers and descriptions are used for reference purposes only. We do not imply that any part shown is the product of these manufacturers.

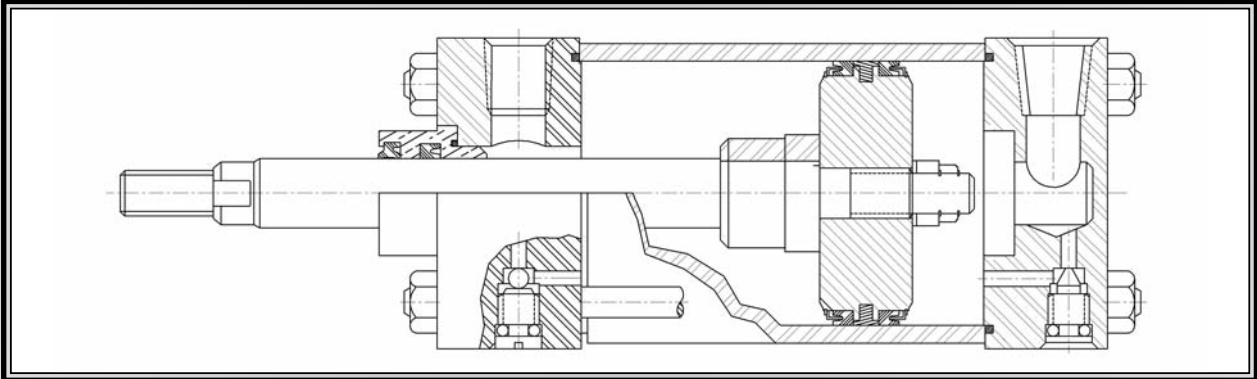
Remsa [KITS]

CYLINDERS

MILLER

AIR CYLINDER - LIGHT DUTY
HYDRAULIC CYLINDER - MEDIUM DUTY

SERIES - "A"
SERIES - "J"

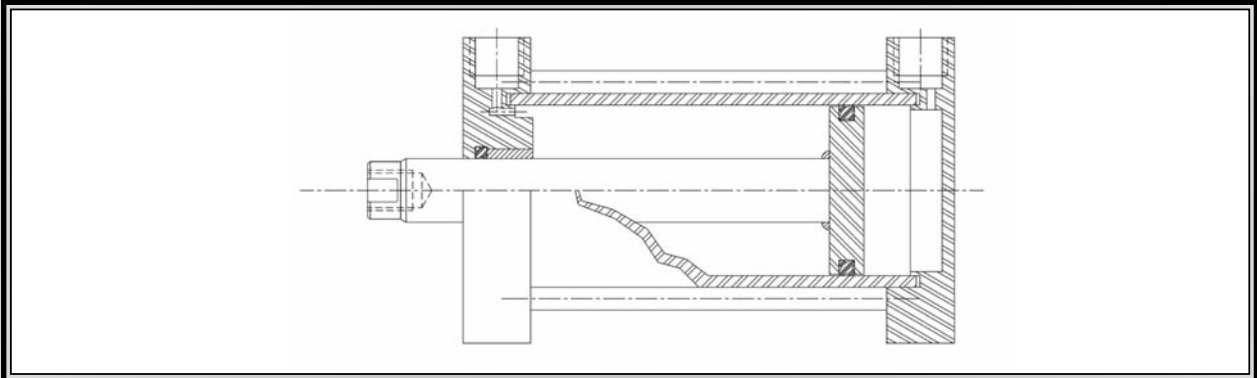


Temperature: **NBR -40/250F [-40/121C]**
FPM -5/400F [-21/204C]

"A" Pressure: 250 PSI [17 BAR]
"J" Pressure: 2300 PSI [160 BAR]

AIR CYLINDER - LIGHT DUTY

SERIES - "B-Flat/B-Flat-M"

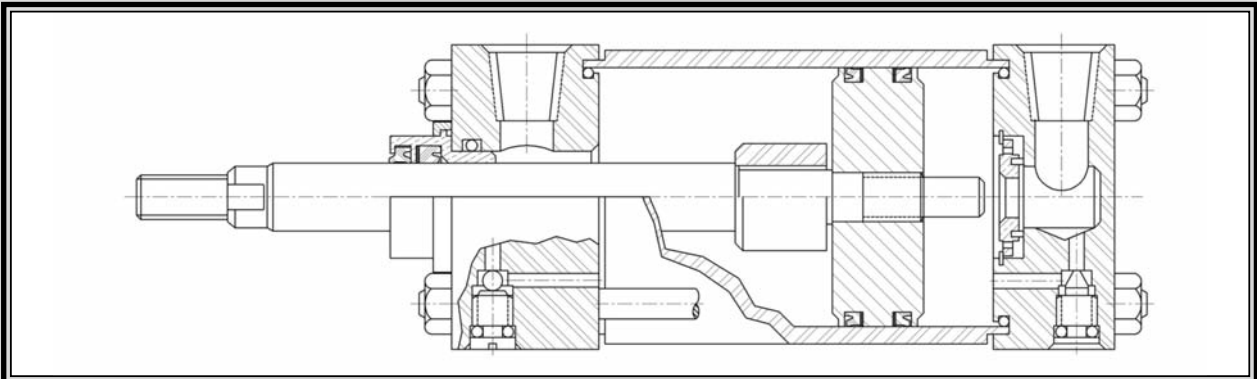


Temperature: **NBR -40/250F [-40/121C]**
FPM -5/400F [-21/204C]

Pressure: 250 PSI [17 BAR]

HYDRAULIC CYLINDER - MEDIUM DUTY

SERIES - "JV"



Temperature: **NBR -40/250F [-40/121C]**
FPM -5/400F [-21/204C]

Pressure: 1000 PSI [70 BAR]

All manufacturer's names, part numbers and descriptions are used for reference purposes only. We do not imply that any part shown is the product of these manufacturers.

INDUSTRIAL
SEAL KITS

MOBILE
SEAL KITS

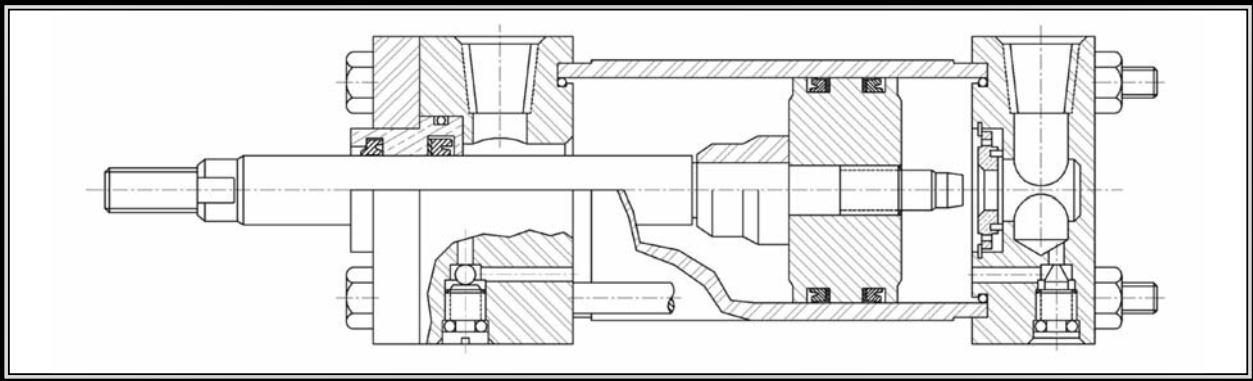
MILLER

MILLER

CYLINDERS

HYDRAULIC CYLINDER - HEAVY DUTY

SERIES - "HV2"

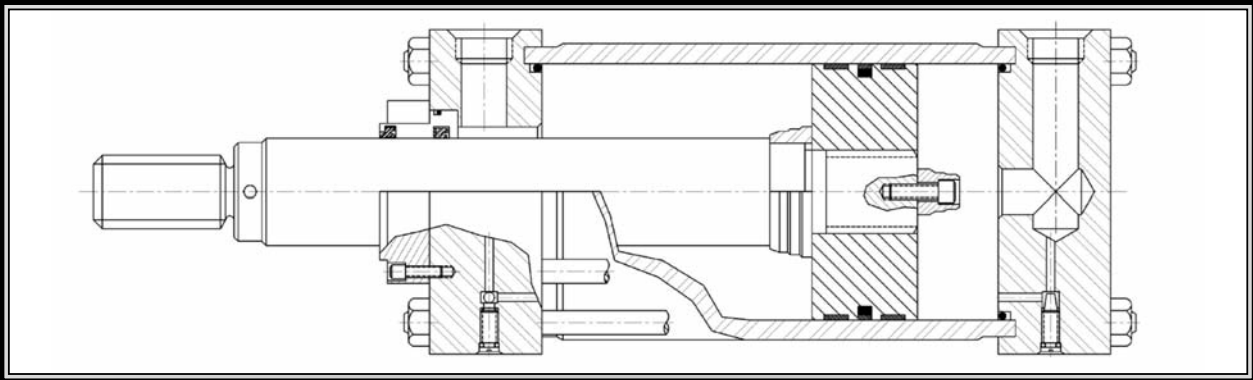


Temperature: NBR -40/250F [-40/121C]
FPM -5/400F [-21/204C]

Pressure: 3000 PSI [200 BAR]

HYDRAULIC CYLINDER - HEAVY DUTY

SERIES - "HV2-LARGE BORE"

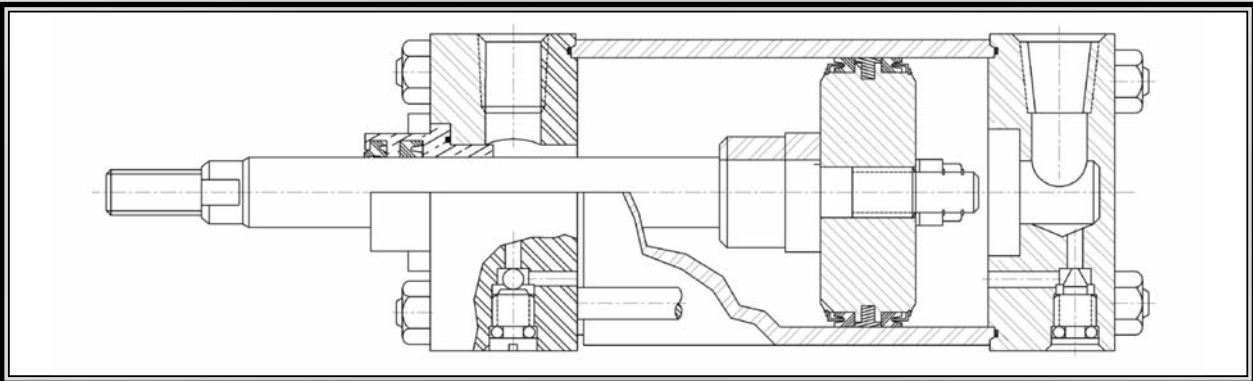


Temperature: NBR -40/250F [-40/121C]
FPM -5/400F [-21/204C]

Pressure: 3000 PSI [200 BAR]

HYDRAULIC CYLINDER - HEAVY DUTY

SERIES - "H"



Temperature: NBR -40/250F [-40/121C]
FPM -5/400F [-21/204C]

Pressure: 5000 PSI [340 BAR]

All manufacturer's names, part numbers and descriptions are used for reference purposes only. We do not imply that any part shown is the product of these manufacturers.

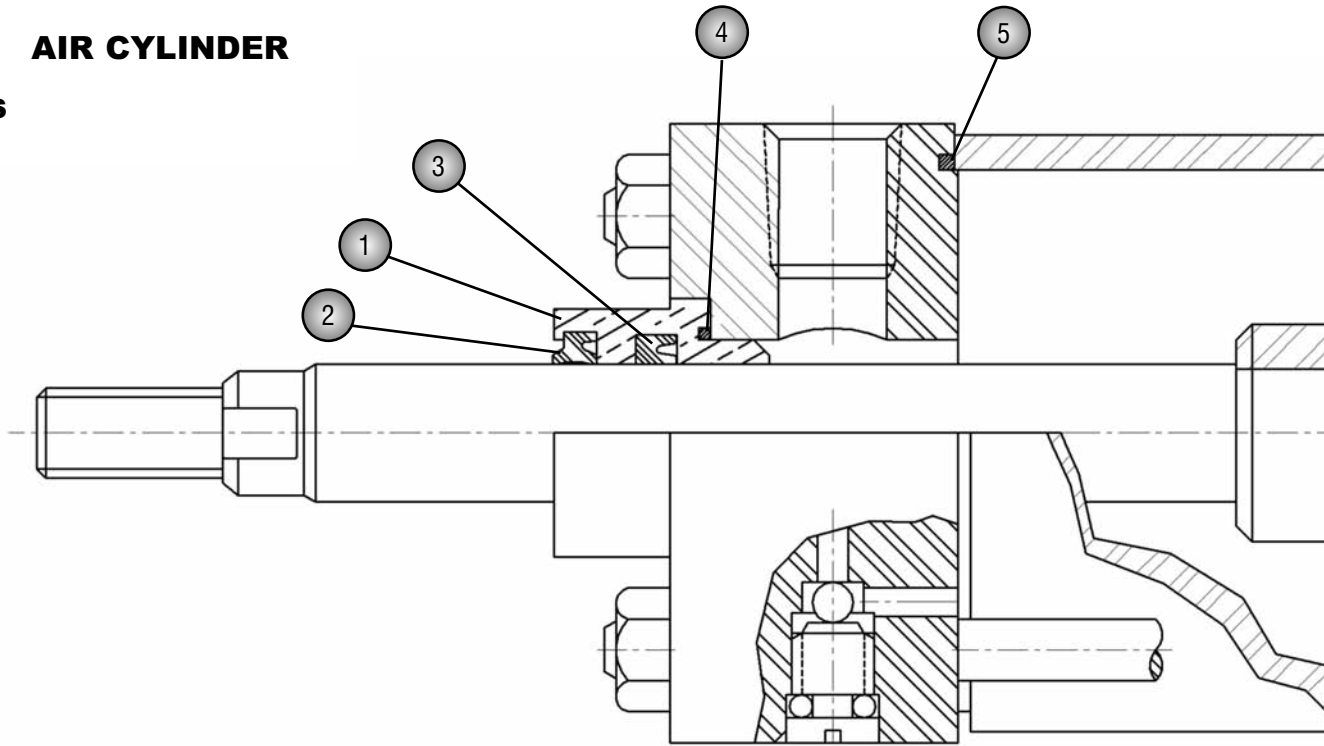
INDUSTRIAL
SEAL KITS

MOBILE
SEAL KITS

MILLER

Remsa [KITS]

AIR CYLINDER SERIES



GLAND CARTRIDGE KIT -BOLTED BUSHING "STAR" SYSTEM (1-2-3-4)

Rod	Bore	Ref. Number	\$
0.625		RMFP-051/KR075/063	183.86
1.000		RMFP-051/KR075/100	221.74
1.375		RMFP-051/KR075/138	259.92
1.750		RMFP-051/KR075/175	281.67
2.000		RMFP-051/KR075/200	331.77
2.500		RMFP-051/KR075/250	455.54
3.000		RMFP-051/KR075/300	583.52
3.500		RMFP-051/KR075/350	782.61
4.000		RMFP-051/KR075/400	841.43
4.500		RMFP-051/KR075/450	905.60
5.000		RMFP-051/KR075/500	1205.35
5.500		RMFP-051/KR075/550	1686.46

GLAND CARTRIDGE KIT -BOLTED BUSHING (1-2-3)

Rod	Bore	Ref. Number	\$
0.625		RMFP-051/KR011/063	102.15
1.000		RMFP-051/KR011/100	118.18
1.375		RMFP-051/KR011/138	127.92
1.750		RMFP-051/KR011/175	190.21
2.000		RMFP-051/KR011/200	227.89
2.500		RMFP-051/KR011/250	293.05
3.000		RMFP-051/KR011/300	351.69

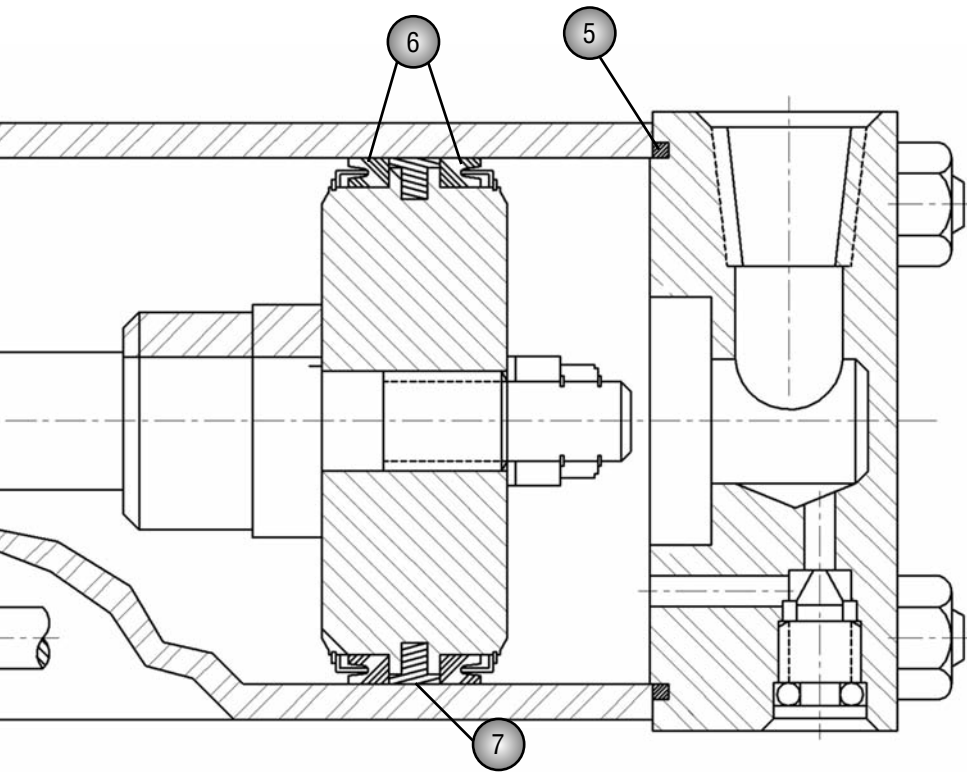
GLAND CARTRIDGE KIT -RETAINER HELD "STAR" SYSTEM (1-2-3-4)

Rod	Bore	Ref. Number	\$
0.625		RMFP-051/KR074/063	136.87
1.000		RMFP-051/KR074/100	170.30
1.375		RMFP-051/KR074/138	200.77
1.750		RMFP-051/KR074/175	O/R
2.000		RMFP-051/KR074/200	O/R
2.500		RMFP-051/KR074/250	O/R
3.000		RMFP-051/KR074/300	O/R
3.500		RMFP-051/KR074/350	O/R
4.000		RMFP-051/KR074/400	O/R
4.500		RMFP-051/KR074/450	O/R
5.000		RMFP-051/KR074/500	O/R
5.500		RMFP-051/KR074/550	O/R

GLAND CARTRIDGE KIT -RETAINER HELD (1-2-3)

Rod	Bore	Ref. Number	\$
0.625		RMFP-051/KR010/063	60.15
1.000		RMFP-051/KR010/100	80.94
1.375		RMFP-051/KR010/138	91.96
1.750		RMFP-051/KR010/175	135.07
2.000		RMFP-051/KR010/200	157.99
2.500		RMFP-051/KR010/250	227.33
3.000		RMFP-051/KR010/300	296.70

All manufacturer's names, part numbers and descriptions are used for reference purposes only. We do not imply that any part shown is the product of these manufacturers.



COMPONENTS

- 1-GLAND CARTRIDGE
- 2-ROD WIPER
- 3-ROD SEAL
- 4-O'RING
- 5-TUBE END SEAL
- 6-PISTON SEAL
- 7-GUIDING ELEMENT

INDUSTRIAL
SEAL KITS

MOBILE
SEAL KITS

ROD SEAL KIT -BOLTED BUSHING "STAR" SYSTEM (2-3-4)

Rod	Bore	Ref. Number	\$
0.625		RMFP-051/KR080/063	16.26
1.000		RMFP-051/KR080/100	28.73
1.375		RMFP-051/KR080/138	38.18
1.750		RMFP-051/KR080/175	47.32
2.000		RMFP-051/KR080/200	53.12
2.500		RMFP-051/KR080/250	63.42
3.000		RMFP-051/KR080/300	114.23
3.500		RMFP-051/KR080/350	122.40
4.000		RMFP-051/KR080/400	137.49
4.500		RMFP-051/KR080/450	155.42
5.000		RMFP-051/KR080/500	166.15
5.500		RMFP-051/KR080/550	259.65

ROD SEAL KIT - (2-3)

Rod	Bore	Ref. Number	\$
0.625		RMFP-051/KR009/063	10.00
1.000		RMFP-051/KR009/100	12.53
1.375		RMFP-051/KR009/138	15.64
1.750		RMFP-051/KR009/175	19.43
2.000		RMFP-051/KR009/200	23.19
2.500		RMFP-051/KR009/250	34.66
3.000		RMFP-051/KR009/300	38.46

* PISTON SEAL KITS AND TUBE END SEAL AVAILABLE ON REQUEST UP TO 20" DIAMETER.

PISTON SEAL KIT - (5-6-7)*

Rod	Bore	Ref. Number	\$
	1.500	RMFP-090/KB001/150	64.20
	2.000	RMFP-090/KB001/200	82.27
	2.500	RMFP-090/KB001/250	89.24
	3.250	RMFP-090/KB001/325	101.15
	4.000	RMFP-090/KB001/400	116.99
	5.000	RMFP-090/KB001/500	124.31
	6.000	RMFP-090/KB001/600	149.72
	7.000	RMFP-090/KB001/700	158.54
	8.000	RMFP-090/KB001/800	163.00
	10.000	RMFP-090/KB001/1000	182.85
	12.000	RMFP-090/KB001/1200	209.53
	14.000	RMFP-090/KB001/1400	O/R
	16.000	RMFP-090/KB001/1600	O/R
	18.000	RMFP-090/KB001/1800	O/R
	20.000	RMFP-090/KB001/2000	O/R

TUBE EN SEAL - SOLID (5)* (ALSO AVAILABLE AS A STRIP)

Rod	Bore	Ref. Number	\$
	1.500	RMFP-090/ES009/150	6.84
	2.000	RMFP-090/ES009/200	12.48
	2.500	RMFP-090/ES009/250	12.53
	3.250	RMFP-090/ES009/325	12.64
	4.000	RMFP-090/ES009/400	18.70
	5.000	RMFP-090/ES009/500	23.55
	6.000	RMFP-090/ES009/600	29.34
	7.000	RMFP-090/ES009/700	36.83
	8.000	RMFP-090/ES009/800	45.84
	10.000	RMFP-090/ES009/1000	54.68
	12.000	RMFP-090/ES009/1200	60.86
	14.000	RMFP-090/ES009/1400	60.41
	16.000	RMFP-090/ES009/1600	O/R
	18.000	RMFP-090/ES009/1800	O/R
	20.000	RMFP-090/ES009/2000	O/R

All manufacturer's names, part numbers and descriptions are used for reference purposes only. We do not imply that any part shown is the product of these manufacturers.

MILLER

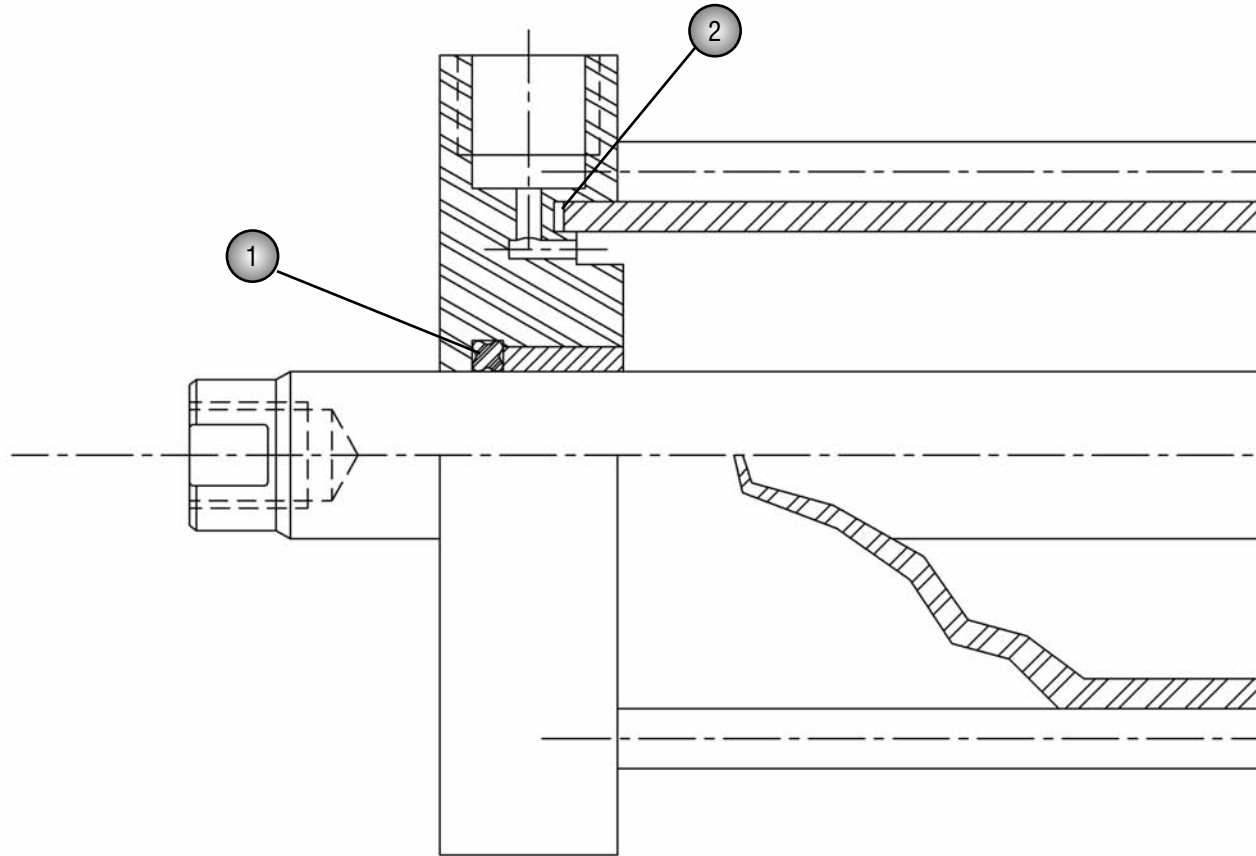
B-Flat/B-Flat-M

S E R I E S

AIR CYLINDER
LIGHT DUTY

INDUSTRIAL
SEAL KITS

MOBILE
SEAL KITS



* SINGLE ROD SEAL KITS CONTAIN SEALS TO REPAIR SINGLE AND DOUBLE ROD CYLINDERS.
WHEN REPAIRING A SINGLE ROD CYLINDER, ONE ROD SEAL WILL NOT BE USED.

“B-FLAT” COMPLETE SEAL KIT - NBR (1-2-3)*

Rod	Bore	Ref. Number	\$
0.250	0.562	RMFP-030/CRK01/056	8.57
0.312	0.750	RMFP-030/CRK01/075	8.94
0.500	1.125	RMFP-030/CRK01/113	9.10
0.625	1.500	RMFP-030/CRK01/150	10.04
0.750	2.000	RMFP-030/CRK01/200	11.27
0.750	2.500	RMFP-030/CRK01/250	12.21
0.875	3.000	RMFP-030/CRK01/300	21.15
1.000	4.000	RMFP-030/CRK01/400	25.84

“B-FLAT” COMPLETE SEAL KIT - FPM (1-2-3)*

Rod	Bore	Ref. Number	\$
0.250	0.562	RMFP-030/CRK02/056	19.27
0.312	0.750	RMFP-030/CRK02/075	21.15
0.500	1.125	RMFP-030/CRK02/113	22.54
0.625	1.500	RMFP-030/CRK02/150	27.72
0.750	2.000	RMFP-030/CRK02/200	29.11
0.750	2.500	RMFP-030/CRK02/250	38.50
0.875	3.000	RMFP-030/CRK02/300	70.91
1.000	4.000	RMFP-030/CRK02/400	83.12

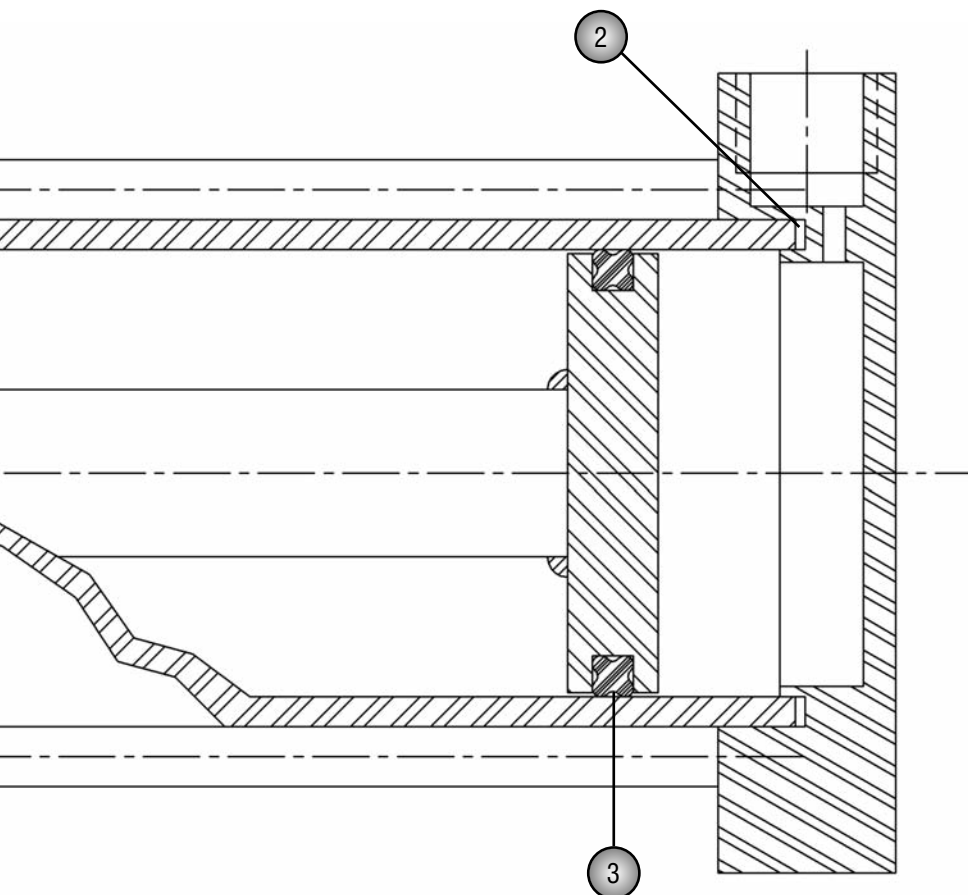
All manufacturer's names, part numbers and descriptions are used for reference purposes only. We do not imply that any part shown is the product of these manufacturers.

MILLER

B-Flat/B-Flat-M S E R I E S

COMPONENTS

- 1-ROD SEAL
- 2-TUBE END SEAL
- 3-PISTON SEAL



**INDUSTRIAL
SEAL KITS**

**MOBILE
SEAL KITS**

MILLER

“B-FLAT-M” COMPLETE SEAL KIT - NBR (1-2-3)*

Rod	Bore	Ref. Number	\$
0.250	0.562	RMFP-030/CRK03/056	26.29
0.312	0.750	RMFP-030/CRK03/075	26.78
0.500	1.125	RMFP-030/CRK01/113	29.60
0.625	1.500	RMFP-030/CRK03/150	30.99
0.750	2.000	RMFP-030/CRK03/200	32.86
0.750	2.500	RMFP-030/CRK03/250	26.78
0.875	3.000	RMFP-030/CRK03/300	38.99
1.000	4.000	RMFP-030/CRK03/400	42.74

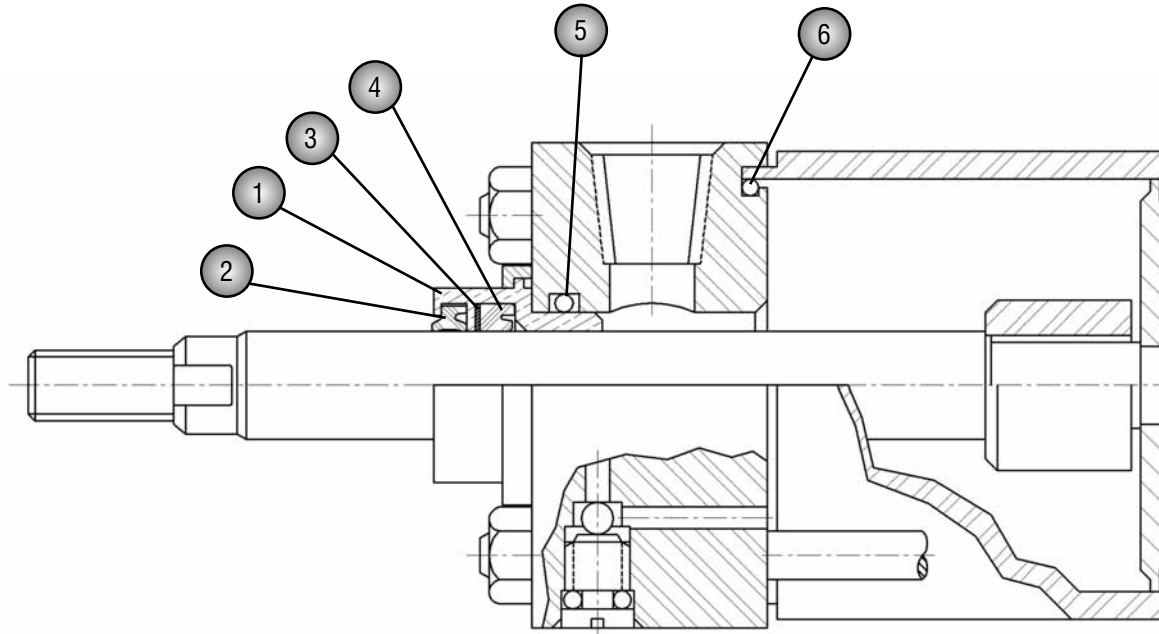
“B-FLAT-M” COMPLETE SEAL KIT - FPM (1-2-3)*

Rod	Bore	Ref. Number	\$
0.250	0.562	RMFP-030/CRK04/056	54.95
0.312	0.750	RMFP-030/CRK04/075	56.83
0.500	1.125	RMFP-030/CRK01/113	60.09
0.625	1.500	RMFP-030/CRK04/150	76.55
0.750	2.000	RMFP-030/CRK04/200	95.78
0.750	2.500	RMFP-030/CRK04/250	107.04
0.875	3.000	RMFP-030/CRK04/300	169.02
1.000	4.000	RMFP-030/CRK04/400	188.73

All manufacturer's names, part numbers and descriptions are used for reference purposes only. We do not imply that any part shown is the product of these manufacturers.

Remsa [KITS]

JV SERIES AIR CYLINDER MEDIUM DUTY



GLAND CARTRIDGE KIT - NBR (1-2-4-5)

Rod	Bore	Ref. Number	\$
0.500		RMFP-JV/KR100/050	O/R
0.625		RMFP-JV/KR100/063	O/R
1.000		RMFP-JV/KR100/100	O/R
1.375		RMFP-JV/KR100/138	O/R
1.750		RMFP-JV/KR100/175	O/R
2.000		RMFP-JV/KR100/200	O/R
2.500		RMFP-JV/KR100/250	O/R
3.000		RMFP-JV/KR100/300	O/R
3.500		RMFP-JV/KR100/350	O/R
4.000		RMFP-JV/KR100/400	O/R
4.500		RMFP-JV/KR100/450	O/R
5.000		RMFP-JV/KR100/500	O/R
5.500		RMFP-JV/KR100/550	O/R

ROD SEAL KIT - NBR (2-4-5)

Rod	Bore	Ref. Number	\$
0.500		RMFP-JV/KR300/050	19.56
0.625		RMFP-JV/KR300/063	19.88
1.000		RMFP-JV/KR300/100	20.82
1.375		RMFP-JV/KR300/138	21.35
1.750		RMFP-JV/KR300/175	25.60
2.000		RMFP-JV/KR300/200	29.97
2.500		RMFP-JV/KR300/250	32.25
3.000		RMFP-JV/KR300/300	42.74
3.500		RMFP-JV/KR300/350	47.97
4.000		RMFP-JV/KR300/400	56.79
4.500		RMFP-JV/KR300/450	61.12
5.000		RMFP-JV/KR300/500	67.93
5.500		RMFP-JV/KR300/550	71.97

GLAND CARTRIDGE KIT - FPM (1-2-3-4-5)

Rod	Bore	Ref. Number	\$
0.500		RMFP-JV/KR200/050	O/R
0.625		RMFP-JV/KR200/063	O/R
1.000		RMFP-JV/KR200/100	O/R
1.375		RMFP-JV/KR200/138	O/R
1.750		RMFP-JV/KR200/175	O/R
2.000		RMFP-JV/KR200/200	O/R
2.500		RMFP-JV/KR200/250	O/R
3.000		RMFP-JV/KR200/300	O/R
3.500		RMFP-JV/KR200/350	O/R
4.000		RMFP-JV/KR200/400	O/R
4.500		RMFP-JV/KR200/450	O/R
5.000		RMFP-JV/KR200/500	O/R
5.500		RMFP-JV/KR200/550	O/R

ROD SEAL KIT - FPM (2-3-4-5)

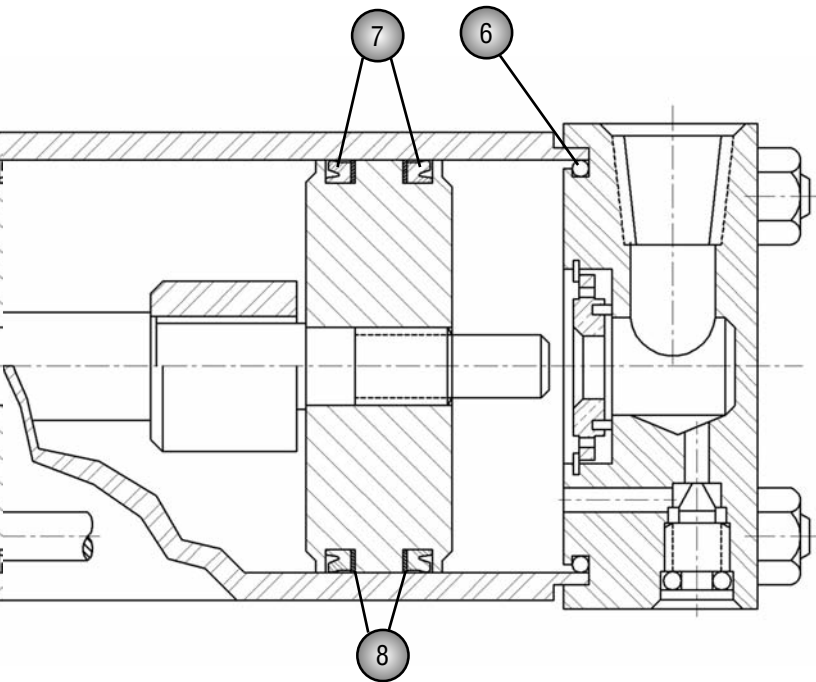
Rod	Bore	Ref. Number	\$
0.500		RMFP-JV/KR400/050	25.11
0.625		RMFP-JV/KR400/063	28.50
1.000		RMFP-JV/KR400/100	28.58
1.375		RMFP-JV/KR400/138	29.72
1.750		RMFP-JV/KR400/175	31.48
2.000		RMFP-JV/KR400/200	33.97
2.500		RMFP-JV/KR400/250	40.34
3.000		RMFP-JV/KR400/300	47.52
3.500		RMFP-JV/KR400/350	61.89
4.000		RMFP-JV/KR400/400	90.35
4.500		RMFP-JV/KR400/450	111.13
5.000		RMFP-JV/KR400/500	143.46
5.500		RMFP-JV/KR400/550	178.98

All manufacturer's names, part numbers and descriptions are used for reference purposes only. We do not imply that any part shown is the product of these manufacturers.

INDUSTRIAL SEAL KITS

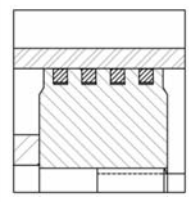
MOBILE SEAL KITS

MILLER



OPTIONS

Piston Ring



- COMPONENTS**
- 1-GLAND CARTRIDGE
 - 2-ROD WIPER
 - 3-BACK UP RING
 - 4-ROD SEAL
 - 5-O'RING
 - 6-O'RING - END SEAL
 - 7-PISTON SEAL
 - 8-BACK UP RING

PISTON SEAL KIT - NBR (6-7-8)

Rod	Bore	Ref. Number	\$
	1.000	RMFP-JV/KB100/100	6.08
	1.500	RMFP-JV/KB100/150	7.19
	2.000	RMFP-JV/KB100/200	8.45
	2.500	RMFP-JV/KB100/250	9.76
	3.250	RMFP-JV/KB100/325	12.13
	4.000	RMFP-JV/KB100/400	15.92
	5.000	RMFP-JV/KB100/500	18.58
	6.000	RMFP-JV/KB100/600	24.17
	8.000	RMFP-JV/KB100/800	70.06

PISTON RING KIT - NBR (OPTIONAL)

Rod	Bore	Ref. Number	\$
	1.000	RMFP-JV/KB300/100	53.44
	1.500	RMFP-JV/KB300/150	29.88
	2.000	RMFP-JV/KB300/200	31.88
	2.500	RMFP-JV/KB300/250	32.25
	3.250	RMFP-JV/KB300/325	34.86
	4.000	RMFP-JV/KB300/400	35.89
	5.000	RMFP-JV/KB300/500	47.28
	6.000	RMFP-JV/KB300/600	71.08
	8.000	RMFP-JV/KB300/800	121.37

PISTON SEAL KIT - FPM (6-7-8)

Rod	Bore	Ref. Number	\$
	1.000	RMFP-JV/KB200/100	23.11
	1.500	RMFP-JV/KB200/150	32.58
	2.000	RMFP-JV/KB200/200	37.19
	2.500	RMFP-JV/KB200/250	52.17
	3.250	RMFP-JV/KB200/325	60.87
	4.000	RMFP-JV/KB200/400	65.61
	5.000	RMFP-JV/KB200/500	83.24
	6.000	RMFP-JV/KB200/600	110.64
	8.000	RMFP-JV/KB200/800	239.81

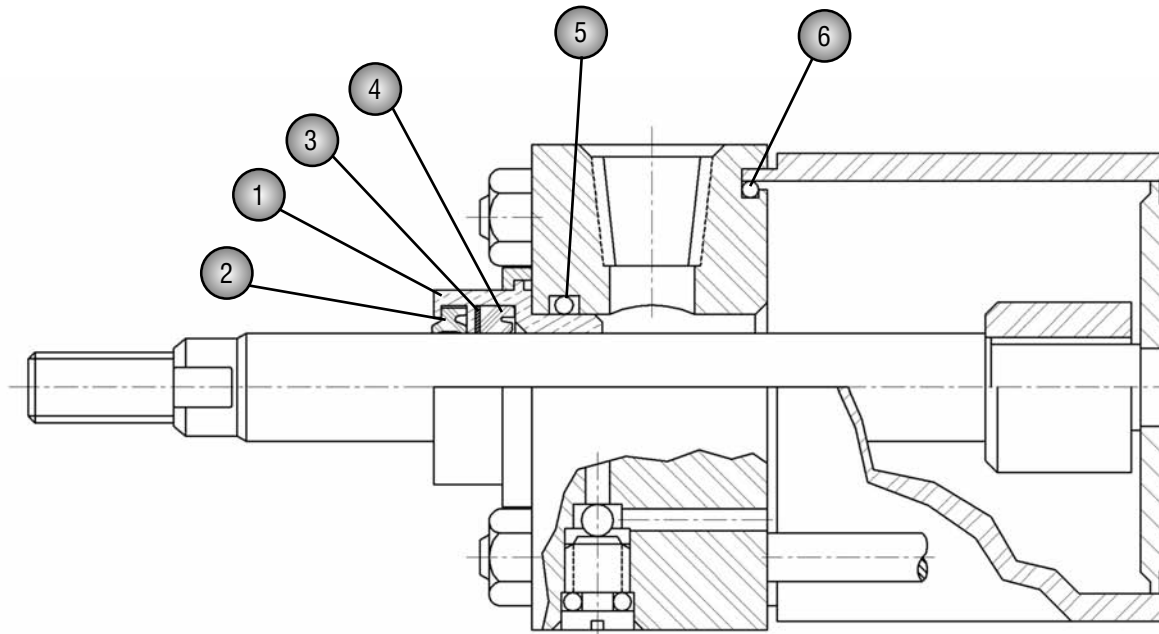
PISTON RING KIT - FPM (OPTIONAL)

Rod	Bore	Ref. Number	\$
	1.000	RMFP-JV/KB400/100	54.30
	1.500	RMFP-JV/KB400/150	34.62
	2.000	RMFP-JV/KB400/200	35.89
	2.500	RMFP-JV/KB400/250	36.38
	3.250	RMFP-JV/KB400/325	43.36
	4.000	RMFP-JV/KB400/400	44.17
	5.000	RMFP-JV/KB400/500	62.63
	6.000	RMFP-JV/KB400/600	75.81
	8.000	RMFP-JV/KB400/800	129.50

All manufacturer's names, part numbers and descriptions are used for reference purposes only. We do not imply that any part shown is the product of these manufacturers.

Remsa [KITS]

JV AIR CYLINDER SERIES MEDIUM DUTY



CYLINDER BODY END KIT - NBR (6)

Rod	Bore	Ref. Number	\$
	1.000	RMFP-JV/ES100/100	4.41
	1.500	RMFP-JV/ES100/150	4.49
	2.000	RMFP-JV/ES100/200	4.74
	2.500	RMFP-JV/ES100/250	4.98
	3.250	RMFP-JV/ES100/325	5.23
	4.000	RMFP-JV/ES100/400	5.43
	5.000	RMFP-JV/ES100/500	6.29
	6.000	RMFP-JV/ES100/600	7.47
	8.000	RMFP-JV/ES100/800	9.10

CYLINDER BODY END KIT - FPM (6)

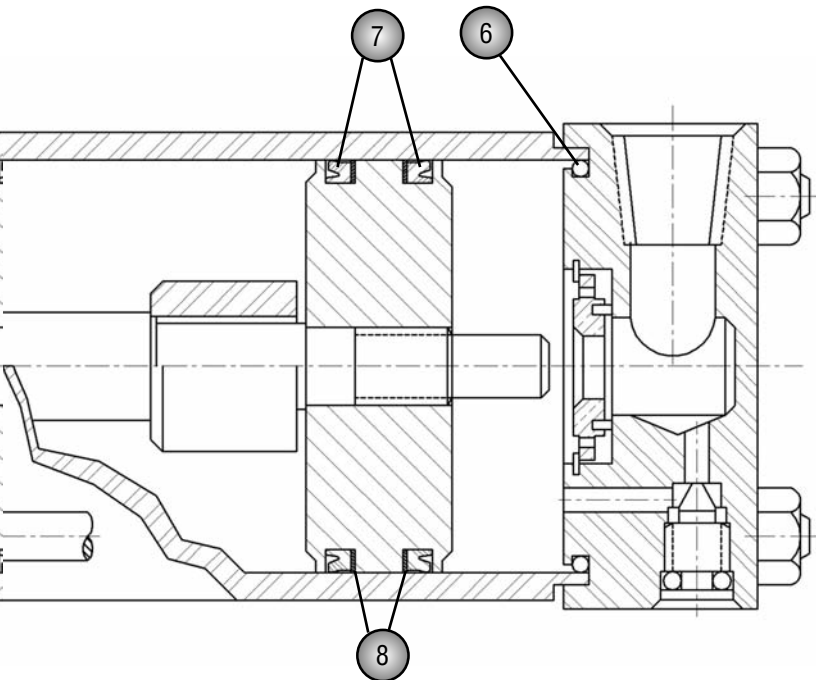
Rod	Bore	Ref. Number	\$
	1.000	RMFP-JV/ES200/100	6.16
	1.500	RMFP-JV/ES200/150	7.10
	2.000	RMFP-JV/ES200/200	10.53
	2.500	RMFP-JV/ES200/250	13.23
	3.250	RMFP-JV/ES200/325	15.96
	4.000	RMFP-JV/ES200/400	19.96
	5.000	RMFP-JV/ES200/500	28.82
	6.000	RMFP-JV/ES200/600	30.13
	8.000	RMFP-JV/ES200/800	52.17

All manufacturer's names, part numbers and descriptions are used for reference purposes only. We do not imply that any part shown is the product of these manufacturers.

INDUSTRIAL
SEAL KITS

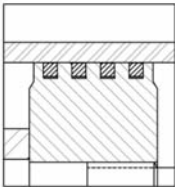
MOBILE
SEAL KITS

MILLER



OPTIONS

Piston Ring



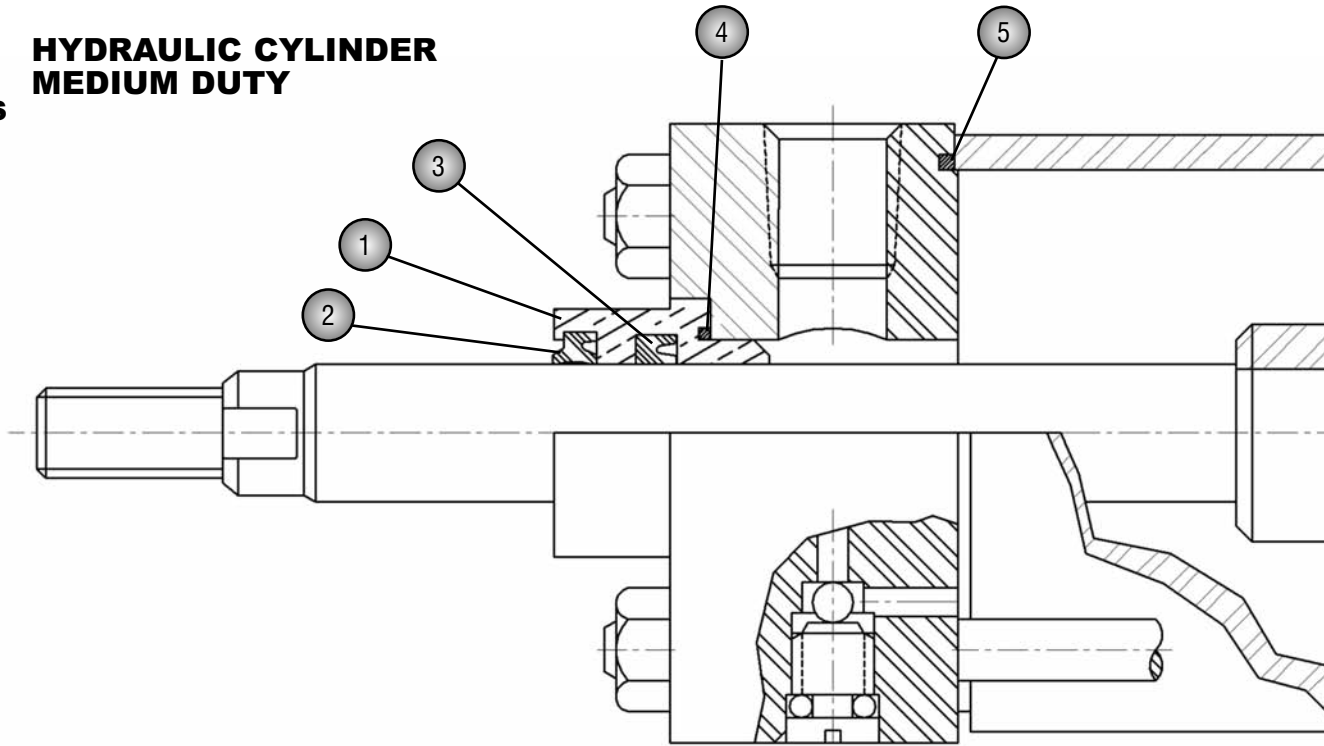
- COMPONENTS**
- 1-GLAND CARTRIDGE
 - 2-ROD WIPER
 - 3-BACK UP RING
 - 4-ROD SEAL
 - 5-O-RING
 - 6-O-RING - END SEAL
 - 7-PISTON SEAL
 - 8-BACK UP RING

**MILLER INDIVIDUAL PARTS
ARE LISTED ON
PAGES 60 TO 63**

All manufacturer's names, part numbers and descriptions are used for reference purposes only. We do not imply that any part shown is the product of these manufacturers.

Remsa [KITS]

J SERIES HYDRAULIC CYLINDER MEDIUM DUTY



GLAND CARTRIDGE KIT -BOLTED BUSHING "STAR" SYSTEM (1-2-3-4)

Rod	Bore	Ref. Number	\$
0.625		RMFP-051/KR075/063	183.86
1.000		RMFP-051/KR075/100	221.74
1.375		RMFP-051/KR075/138	259.92
1.750		RMFP-051/KR075/175	281.67
2.000		RMFP-051/KR075/200	331.77
2.500		RMFP-051/KR075/250	455.54
3.000		RMFP-051/KR075/300	583.52
3.500		RMFP-051/KR075/350	782.61
4.000		RMFP-051/KR075/400	841.43
4.500		RMFP-051/KR075/450	905.60
5.000		RMFP-051/KR075/500	1205.35
5.500		RMFP-051/KR075/550	1686.46

GLAND CARTRIDGE KIT -BOLTED BUSHING

Rod	Bore	Ref. Number	\$
0.625		RMFP-051/KR015/063	133.19
1.000		RMFP-051/KR015/100	160.33
1.375		RMFP-051/KR015/138	198.52
1.750		RMFP-051/KR015/175	252.66
2.000		RMFP-051/KR015/200	297.03
2.500		RMFP-051/KR015/250	384.06
3.000		RMFP-051/KR015/300	479.62
3.500		RMFP-051/KR015/350	710.60

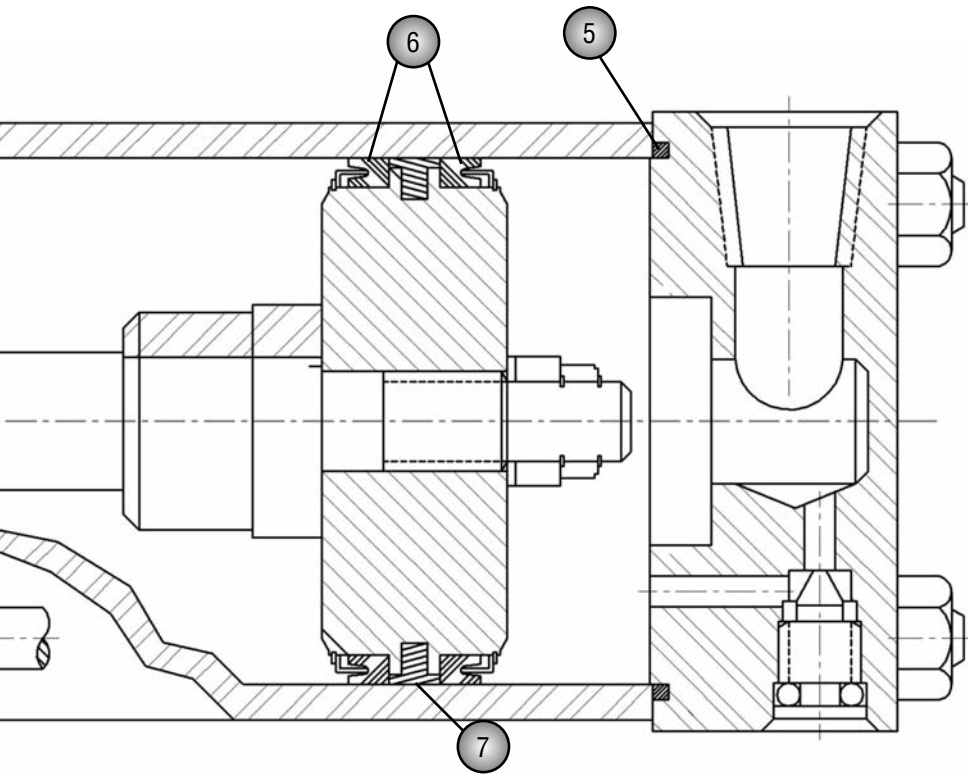
GLAND CARTRIDGE KIT -RETAINER HELD "STAR" SYSTEM (1-2-3-4)

Rod	Bore	Ref. Number	\$
0.625		RMFP-051/KR074/063	136.87
1.000		RMFP-051/KR074/100	170.30
1.375		RMFP-051/KR074/138	200.77
1.750		RMFP-051/KR074/175	O/R
2.000		RMFP-051/KR074/200	O/R
2.500		RMFP-051/KR074/250	O/R
3.000		RMFP-051/KR074/300	O/R
3.500		RMFP-051/KR074/350	O/R
4.000		RMFP-051/KR074/400	O/R
4.500		RMFP-051/KR074/450	O/R
5.000		RMFP-051/KR074/500	O/R
5.500		RMFP-051/KR074/550	O/R

GLAND CARTRIDGE KIT -RETAINER HELD

Rod	Bore	Ref. Number	\$
0.625		RMFP-051/KR014/063	107.76
1.000		RMFP-051/KR014/100	132.81
1.375		RMFP-051/KR014/138	163.26
1.750		RMFP-051/KR014/175	221.18
2.000		RMFP-051/KR014/200	266.90
2.500		RMFP-051/KR014/250	328.89
3.000		RMFP-051/KR014/300	434.44

All manufacturer's names, part numbers and descriptions are used for reference purposes only. We do not imply that any part shown is the product of these manufacturers.



COMPONENTS

- 1-GLAND CARTRIDGE
- 2-ROD WIPER
- 3-ROD SEAL
- 4-O'RING
- 5-TUBE END SEAL
- 6-PISTON SEAL
- 7-GUIDING ELEMENT

INDUSTRIAL
SEAL KITS

MOBILE
SEAL KITS

ROD SEAL KIT -BOLTED BUSHING "STAR" SYSTEM (2-3-4)

Rod	Bore	Ref. Number	\$
0.625		RMFP-051/KR080/063	16.26
1.000		RMFP-051/KR080/100	28.73
1.375		RMFP-051/KR080/138	38.18
1.750		RMFP-051/KR080/175	47.32
2.000		RMFP-051/KR080/200	53.12
2.500		RMFP-051/KR080/250	63.42
3.000		RMFP-051/KR080/300	114.23
3.500		RMFP-051/KR080/350	122.40
4.000		RMFP-051/KR080/400	137.49
4.500		RMFP-051/KR080/450	155.42
5.000		RMFP-051/KR080/500	166.15
5.500		RMFP-051/KR080/550	259.65

ROD SEAL KIT - BOLTED & RETAINER HELD BUSHING

Rod	Bore	Ref. Number	\$
0.625		RMFP-051/KR012/063	60.65
1.000		RMFP-051/KR012/100	72.61
1.375		RMFP-051/KR012/138	89.91
1.750		RMFP-051/KR012/175	109.20
2.000		RMFP-051/KR012/200	127.50
2.500		RMFP-051/KR012/250	158.73
3.000		RMFP-051/KR012/300	212.53

* PISTON SEAL KITS AND TUBE END SEAL AVAILABLE ON REQUEST UP TO 20" DIAMETER.

PISTON SEAL KIT - (5-6-7)*

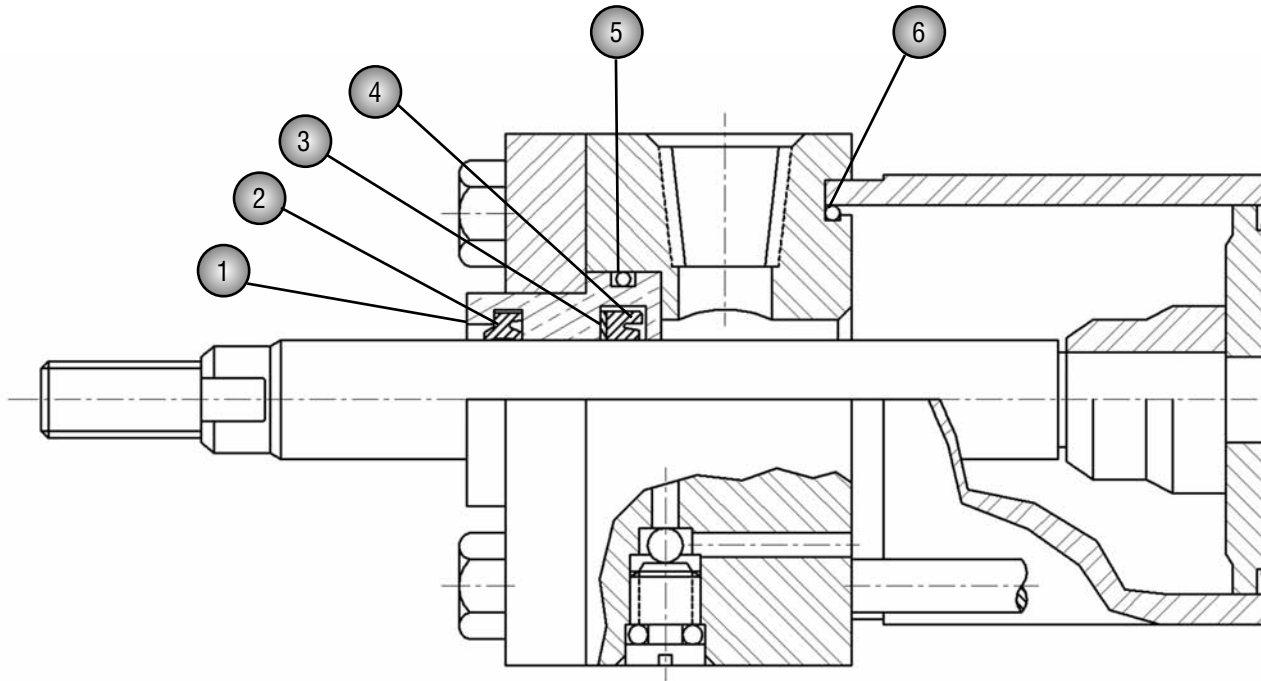
Rod	Bore	Ref. Number	\$
	1.500	RMFP-091/KB001/150	73.91
	2.000	RMFP-091/KB001/200	74.32
	2.500	RMFP-091/KB001/250	86.55
	3.250	RMFP-091/KB001/325	113.53
	4.000	RMFP-091/KB001/400	124.91
	5.000	RMFP-091/KB001/500	175.75
	6.000	RMFP-091/KB001/600	187.80
	7.000	RMFP-091/KB001/700	193.51
	8.000	RMFP-091/KB001/800	208.45
	10.000	RMFP-091/KB001/1000	232.55
	12.000	RMFP-091/KB001/1200	292.68
	14.000	RMFP-091/KB001/1400	O/R
	16.000	RMFP-091/KB001/1600	O/R
	18.000	RMFP-091/KB001/1800	O/R
	20.000	RMFP-091/KB001/2000	O/R

TUBE END SEAL - SOLID (5)* (ALSO AVAILABLE AS A STRIP)

Rod	Bore	Ref. Number	\$
	1.500	RMFP-090/ES009/150	6.84
	2.000	RMFP-090/ES009/200	12.48
	2.500	RMFP-090/ES009/250	12.53
	3.250	RMFP-090/ES009/325	12.64
	4.000	RMFP-090/ES009/400	18.70
	5.000	RMFP-090/ES009/500	23.55
	6.000	RMFP-090/ES009/600	29.34
	7.000	RMFP-090/ES009/700	36.83
	8.000	RMFP-090/ES009/800	45.84
	10.000	RMFP-090/ES009/1000	54.68
	12.000	RMFP-090/ES009/1200	60.86
	14.000	RMFP-090/ES009/1400	60.41
	16.000	RMFP-090/ES009/1600	O/R
	18.000	RMFP-090/ES009/1800	O/R
	20.000	RMFP-090/ES009/2000	O/R

All manufacturer's names, part numbers and descriptions are used for reference purposes only. We do not imply that any part shown is the product of these manufacturers.

HV2 HYDRAULIC CYLINDER SERIES HEAVY DUTY



GLAND CARTRIDGE KIT - NBR (1-2-3-4-5)

Rod	Bore	Ref. Number	\$
0.625		RMFP-HV2/KR100/063	O/R
1.000		RMFP-HV2/KR100/100	O/R
1.375		RMFP-HV2/KR100/138	O/R
1.750		RMFP-HV2/KR100/175	O/R
2.000		RMFP-HV2/KR100/200	O/R
2.500		RMFP-HV2/KR100/250	O/R
3.000		RMFP-HV2/KR100/300	O/R
3.500		RMFP-HV2/KR100/350	O/R
4.000		RMFP-HV2/KR100/400	O/R

ROD SEAL KIT - NBR (2-4-5)

Rod	Bore	Ref. Number	\$
0.625		RMFP-HV2/KR300/063	20.70
1.000		RMFP-HV2/KR300/100	21.64
1.375		RMFP-HV2/KR300/138	22.17
1.750		RMFP-HV2/KR300/175	26.41
2.000		RMFP-HV2/KR300/200	30.78
2.500		RMFP-HV2/KR300/250	33.07
3.000		RMFP-HV2/KR300/300	43.56
3.500		RMFP-HV2/KR300/350	48.79
4.000		RMFP-HV2/KR300/400	57.60

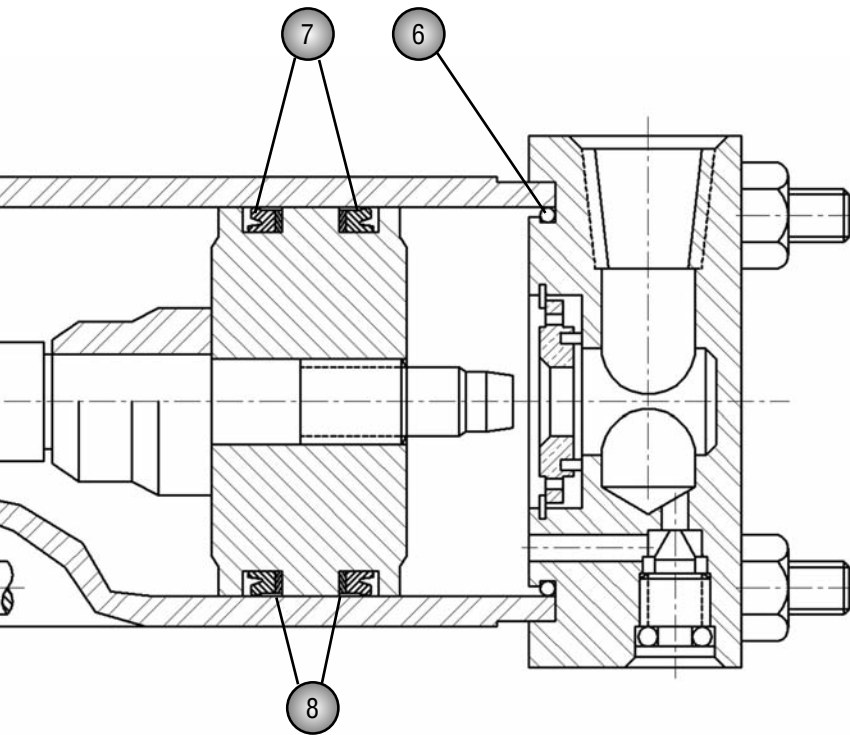
GLAND CARTRIDGE KIT - FPM (1-2-4-5)

Rod	Bore	Ref. Number	\$
0.625		RMFP-HV2/KR200/063	O/R
1.000		RMFP-HV2/KR200/100	O/R
1.375		RMFP-HV2/KR200/138	O/R
1.750		RMFP-HV2/KR200/175	O/R
2.000		RMFP-HV2/KR200/200	O/R
2.500		RMFP-HV2/KR200/250	O/R
3.000		RMFP-HV2/KR200/300	O/R
3.500		RMFP-HV2/KR200/350	O/R
4.000		RMFP-HV2/KR200/400	O/R

ROD SEAL KIT - FPM (2-3-4-5)

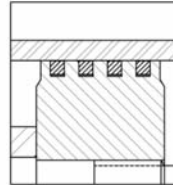
Rod	Bore	Ref. Number	\$
0.625		RMFP-HV2/KR400/063	28.50
1.000		RMFP-HV2/KR400/100	30.21
1.375		RMFP-HV2/KR400/138	31.35
1.750		RMFP-HV2/KR400/175	33.11
2.000		RMFP-HV2/KR400/200	35.60
2.500		RMFP-HV2/KR400/250	41.97
3.000		RMFP-HV2/KR400/300	49.15
3.500		RMFP-HV2/KR400/350	63.52
4.000		RMFP-HV2/KR400/400	91.98

All manufacturer's names, part numbers and descriptions are used for reference purposes only. We do not imply that any part shown is the product of these manufacturers.



OPTIONS

Piston Ring



COMPONENTS

- 1-GLAND CARTRIDGE
- 2-ROD WIPER
- 3-BACK UP RING
- 4-ROD SEAL
- 5-O'RING & B.UP RING
- 6-O'RING - END SEAL
- 7-PISTON SEAL
- 8-BACK UP RING

PISTON SEAL KIT - NBR (6-7-8)

Rod	Bore	Ref. Number	\$
	1.500	RMFP-HV2/KB100/150	7.19
	2.000	RMFP-HV2/KB100/200	8.45
	2.500	RMFP-HV2/KB100/250	9.76
	3.250	RMFP-HV2/KB100/325	12.13
	4.000	RMFP-HV2/KB100/400	15.92
	5.000	RMFP-HV2/KB100/500	18.58
	6.000	RMFP-HV2/KB100/600	24.17

PISTON RING KIT - NBR (OPTIONAL)

Rod	Bore	Ref. Number	\$
	1.500	RMFP-HV2/KB300/150	29.88
	2.000	RMFP-HV2/KB300/200	31.88
	2.500	RMFP-HV2/KB300/250	32.25
	3.250	RMFP-HV2/KB300/325	34.86
	4.000	RMFP-HV2/KB300/400	35.89
	5.000	RMFP-HV2/KB300/500	47.28
	6.000	RMFP-HV2/KB300/600	71.08

PISTON SEAL KIT - FPM (6-7-8)

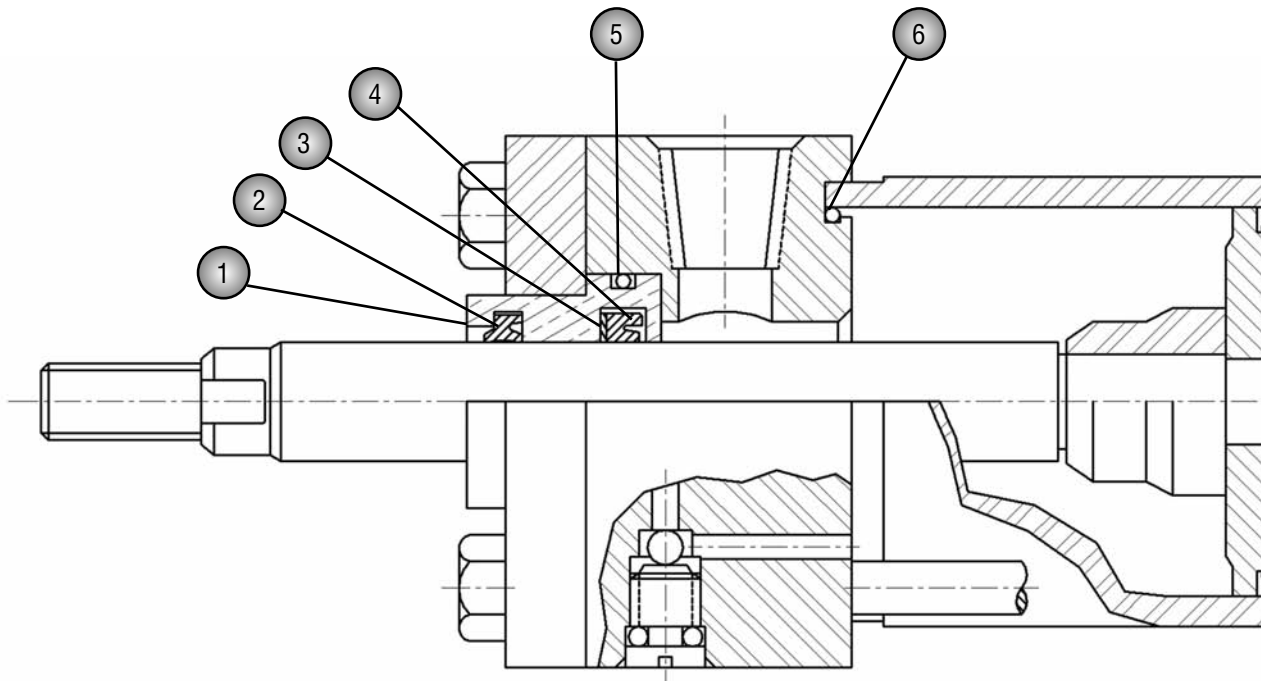
Rod	Bore	Ref. Number	\$
	1.500	RMFP-HV2/KB200/150	32.58
	2.000	RMFP-HV2/KB200/200	37.19
	2.500	RMFP-HV2/KB200/250	52.17
	3.250	RMFP-HV2/KB200/325	60.87
	4.000	RMFP-HV2/KB200/400	65.61
	5.000	RMFP-HV2/KB200/500	83.24
	6.000	RMFP-HV2/KB200/600	110.64
	8.000	RMFP-HV2/KB200/800	239.81

PISTON RING KIT - FPM (OPTIONAL)

Rod	Bore	Ref. Number	\$
	1.500	RMFP-HV2/KB400/150	34.62
	2.000	RMFP-HV2/KB400/200	35.89
	2.500	RMFP-HV2/KB400/250	36.38
	3.250	RMFP-HV2/KB400/325	43.36
	4.000	RMFP-HV2/KB400/400	44.17
	5.000	RMFP-HV2/KB400/500	62.63
	6.000	RMFP-HV2/KB400/600	75.81

All manufacturer's names, part numbers and descriptions are used for reference purposes only. We do not imply that any part shown is the product of these manufacturers.

HV2 HYDRAULIC CYLINDER SERIES HEAVY DUTY



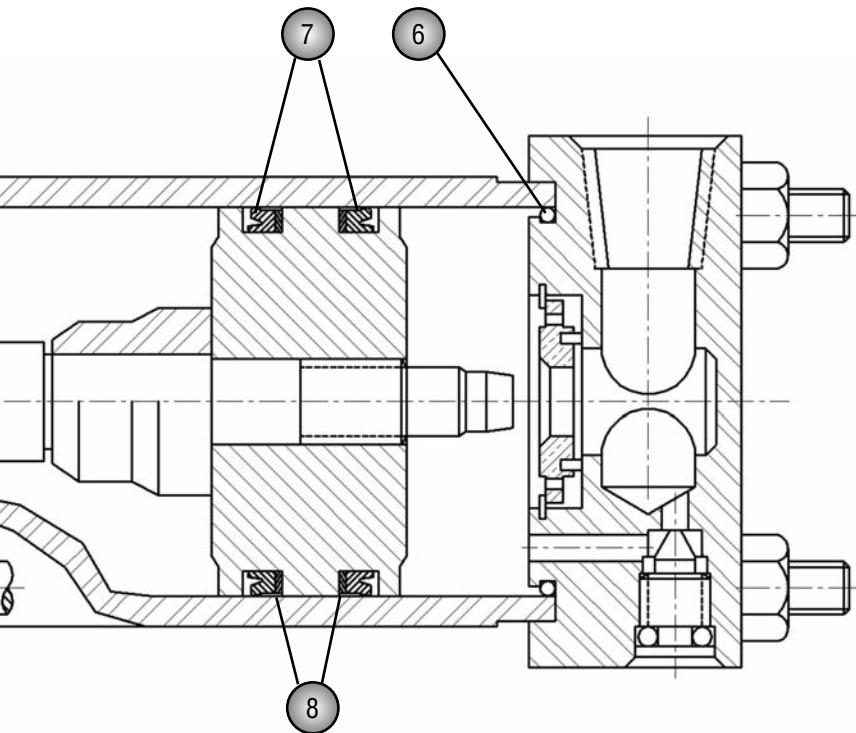
CYLINDER BODY END KIT - NBR (6)

Rod	Bore	Ref. Number	\$
	1.500	RMFP-HV2/ES100/150	4.49
	2.000	RMFP-HV2/ES100/200	4.74
	2.500	RMFP-HV2/ES100/250	4.98
	3.250	RMFP-HV2/ES100/325	5.23
	4.000	RMFP-HV2/ES100/400	5.43
	5.000	RMFP-HV2/ES100/500	6.29
	6.000	RMFP-HV2/ES100/600	7.47

CYLINDER BODY END KIT - FPM (6)

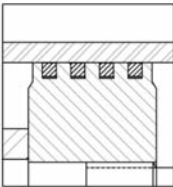
Rod	Bore	Ref. Number	\$
	1.500	RMFP-HV2/ES200/150	7.10
	2.000	RMFP-HV2/ES200/200	10.53
	2.500	RMFP-HV2/ES200/250	13.23
	3.250	RMFP-HV2/ES200/325	15.96
	4.000	RMFP-HV2/ES200/400	19.96
	5.000	RMFP-HV2/ES200/500	28.82
	6.000	RMFP-HV2/ES200/600	30.13

All manufacturer's names, part numbers and descriptions are used for reference purposes only. We do not imply that any part shown is the product of these manufacturers.



OPTIONS

Piston Ring

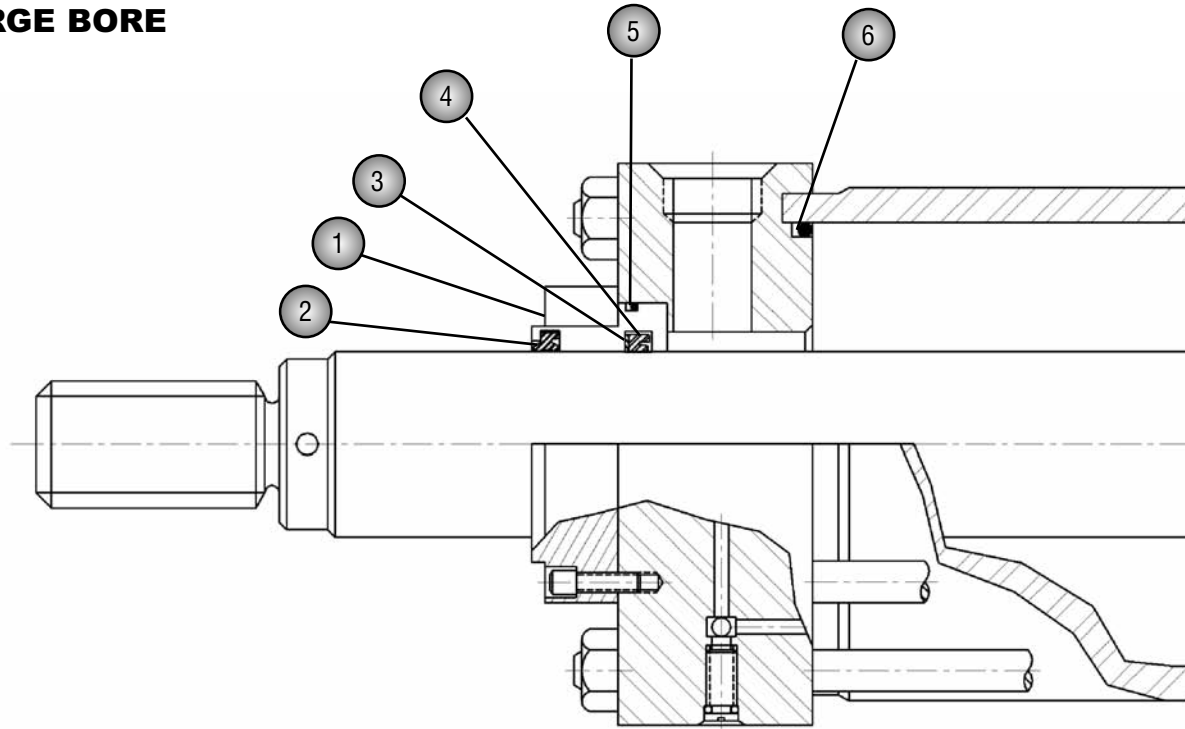


- COMPONENTS**
- 1-GLAND CARTRIDGE
 - 2-ROD WIPER
 - 3-BACK UP RING
 - 4-ROD SEAL
 - 5-O'RING & B.UP RING
 - 6-O'RING - END SEAL
 - 7-PISTON SEAL
 - 8-BACK UP RING

**MILLER INDIVIDUAL PARTS
ARE LISTED ON
PAGES 60 TO 63**

All manufacturer's names, part numbers and descriptions are used for reference purposes only. We do not imply that any part shown is the product of these manufacturers.

HV2 HYDRAULIC CYLINDER SERIES HEAVY DUTY LARGE BORE



GLAND CARTRIDGE KIT - NBR (1-2-4-5)

Rod	Bore	Ref. Number	\$
3.000		RMFP-HV2/KR108/300	O/R
3.500		RMFP-HV2/KR108/350	O/R
4.000		RMFP-HV2/KR108/400	O/R
5.000		RMFP-HV2/KR108/500	O/R
5.500		RMFP-HV2/KR108/550	O/R

ROD SEAL KIT - NBR (2-4-5)

Rod	Bore	Ref. Number	\$
3.000		RMFP-HV2/KR308/300	43.56
3.500		RMFP-HV2/KR308/350	48.79
4.000		RMFP-HV2/KR308/400	57.60
5.000		RMFP-HV2/KR308/500	68.75
5.500		RMFP-HV2/KR308/550	72.79

GLAND CARTRIDGE KIT - FPM (1-2-3-4-5)

Rod	Bore	Ref. Number	\$
3.000		RMFP-HV2/KR208/300	O/R
3.500		RMFP-HV2/KR208/350	O/R
4.000		RMFP-HV2/KR208/400	O/R
5.000		RMFP-HV2/KR208/500	O/R
5.500		RMFP-HV2/KR208/550	O/R

ROD SEAL KIT - FPM (2-3-4-5)

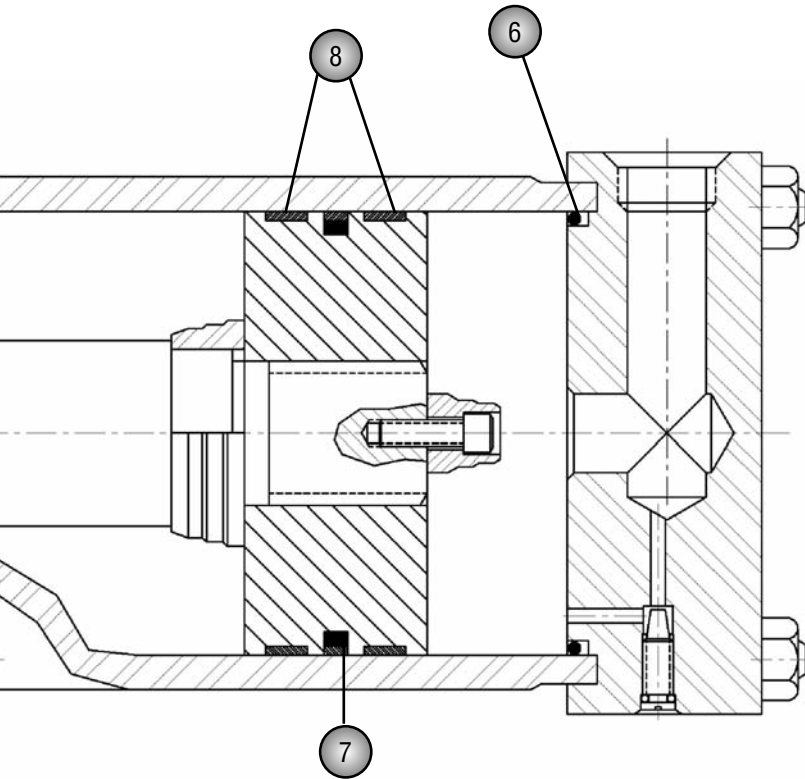
Rod	Bore	Ref. Number	\$
3.000		RMFP-HV2/KR408/300	49.15
3.500		RMFP-HV2/KR408/350	63.52
4.000		RMFP-HV2/KR408/400	91.98
5.000		RMFP-HV2/KR408/500	145.09
5.500		RMFP-HV2/KR408/550	180.61

All manufacturer's names, part numbers and descriptions are used for reference purposes only. We do not imply that any part shown is the product of these manufacturers.

INDUSTRIAL SEAL KITS

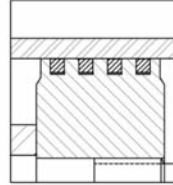
MOBILE SEAL KITS

MILLER



OPTIONS

Piston Ring



COMPONENTS

- 1-GLAND CARTRIDGE
- 2-ROD WIPER
- 3-BACK UP RING
- 4-ROD SEAL
- 5-O'RING & B.UP RING
- 6-O'RING & B.UP RING
- 7-PISTON SEAL
- 8-GUIDING ELEMENT

HI-LOAD PISTON SEAL KIT - NBR (6-7-8)

Rod	Bore	Ref. Number	\$
	7.000	RMFP-HV2/KB100/700	364.36
	8.000	RMFP-HV2/KB100/800	393.14

PISTON RING KIT - FPM (OPTIONAL)

Rod	Bore	Ref. Number	\$
	7.000	RMFP-HV2/KB400/700	131.70
	8.000	RMFP-HV2/KB400/800	186.77

HI-LOAD PISTON SEAL KIT - FPM (6-7-8)

Rod	Bore	Ref. Number	\$
	7.000	RMFP-HV2/KB200/700	395.59
	8.000	RMFP-HV2/KB200/800	473.98

CYLINDER BODY END KIT - NBR (6)

Rod	Bore	Ref. Number	\$
	7.000	RMFP-HV2/ES100/700	8.86
	8.000	RMFP-HV2/ES100/800	9.92

PISTON RING KIT - NBR (OPTIONAL)

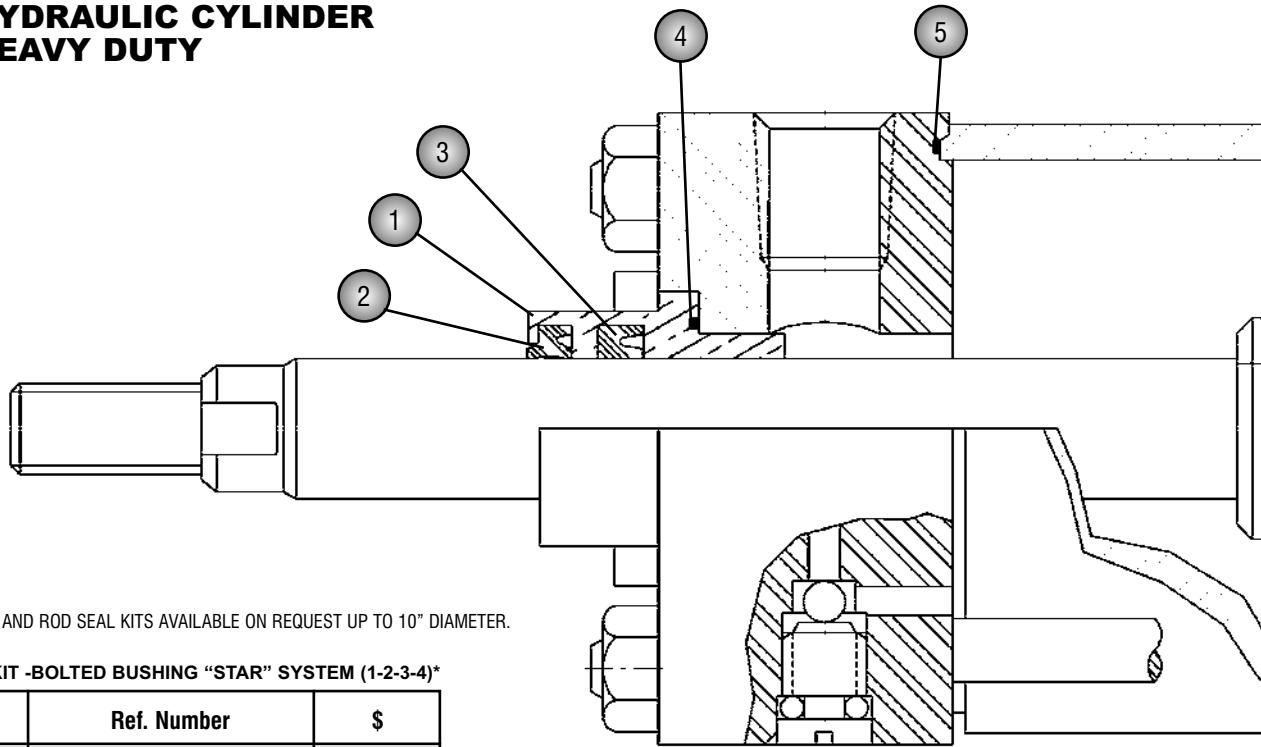
Rod	Bore	Ref. Number	\$
	7.000	RMFP-HV2/KB300/700	114.51
	8.000	RMFP-HV2/KB300/800	162.40

CYLINDER BODY END KIT - FPM (6)

Rod	Bore	Ref. Number	\$
	7.000	RMFP-HV2/ES200/700	44.87
	8.000	RMFP-HV2/ES200/800	45.64

All manufacturer's names, part numbers and descriptions are used for reference purposes only. We do not imply that any part shown is the product of these manufacturers.

H SERIES HYDRAULIC CYLINDER HEAVY DUTY



* GLAND CARTRIDGE KITS AND ROD SEAL KITS AVAILABLE ON REQUEST UP TO 10" DIAMETER.

GLAND CARTRIDGE KIT -BOLTED BUSHING "STAR" SYSTEM (1-2-3-4)*

Rod	Bore	Ref. Number	\$
0.625		RMFP-051/KR075/063	183.86
1.000		RMFP-051/KR075/100	221.74
1.375		RMFP-051/KR075/138	259.92
1.750		RMFP-051/KR075/175	281.67
2.000		RMFP-051/KR075/200	331.77
2.500		RMFP-051/KR075/250	455.54
3.000		RMFP-051/KR075/300	583.52
3.500		RMFP-051/KR075/350	782.61
4.000		RMFP-051/KR075/400	841.43
4.500		RMFP-051/KR075/450	905.60
5.000		RMFP-051/KR075/500	1205.35
5.500		RMFP-051/KR075/550	1686.46
7.000		RMFP-051/KR075/700	O/R
8.000		RMFP-051/KR075/800	O/R
9.000		RMFP-051/KR075/900	O/R
10.000		RMFP-051/KR075/1000	O/R

GLAND CARTRIDGE KIT -RETAINER HELD "STAR" SYSTEM (1-2-3-4)

Rod	Bore	Ref. Number	\$
0.625		RMFP-051/KR074/063	136.87
1.000		RMFP-051/KR074/100	170.30
1.375		RMFP-051/KR074/138	200.77
1.750		RMFP-051/KR074/175	O/R
2.000		RMFP-051/KR074/200	O/R
2.500		RMFP-051/KR074/250	O/R
3.000		RMFP-051/KR074/300	O/R
3.500		RMFP-051/KR074/350	O/R
4.000		RMFP-051/KR074/400	O/R
4.500		RMFP-051/KR074/450	O/R
5.000		RMFP-051/KR074/500	O/R
5.500		RMFP-051/KR074/550	O/R

ROD SEAL KIT -BOLTED BUSHING "STAR" SYSTEM (2-3-4)*

Rod	Bore	Ref. Number	\$
0.625		RMFP-051/KR080/063	16.26
1.000		RMFP-051/KR080/100	28.73
1.375		RMFP-051/KR080/138	38.18
1.750		RMFP-051/KR080/175	47.32
2.000		RMFP-051/KR080/200	53.12
2.500		RMFP-051/KR080/250	63.42
3.000		RMFP-051/KR080/300	114.23
3.500		RMFP-051/KR080/350	122.40
4.000		RMFP-051/KR080/400	137.49
4.500		RMFP-051/KR080/450	155.42
5.000		RMFP-051/KR080/500	166.15
5.500		RMFP-051/KR080/550	259.65
7.000		RMFP-051/KR080/700	O/R
8.000		RMFP-051/KR080/800	O/R
9.000		RMFP-051/KR080/900	O/R
10.000		RMFP-051/KR080/1000	O/R

PISTON SEAL KIT -(5-6-7)**

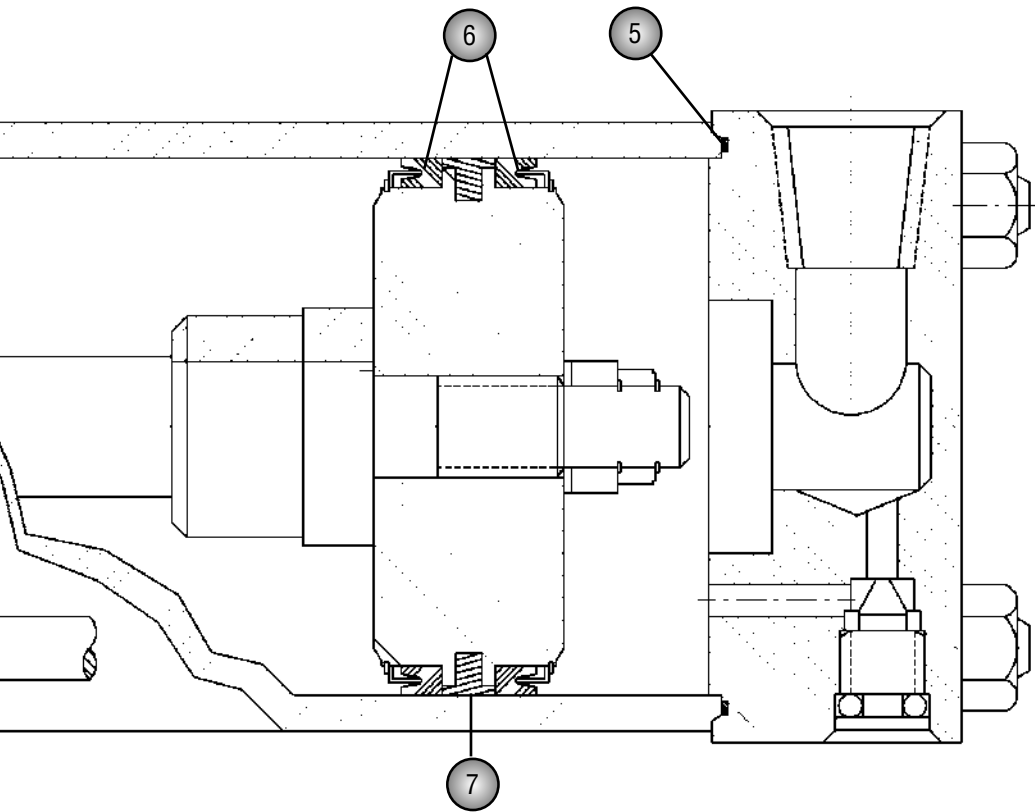
Rod	Bore	Ref. Number	\$
	1.500	RMFP-171/KB001/150	101.27
	2.000	RMFP-171/KB001/200	117.32
	2.500	RMFP-171/KB001/250	141.02
	3.250	RMFP-171/KB001/325	167.69
	4.000	RMFP-171/KB001/400	231.53
	5.000	RMFP-171/KB001/500	268.94
	6.000	RMFP-171/KB001/600	299.32
	7.000	RMFP-171/KB001/700	421.82
	8.000	RMFP-171/KB001/800	526.63
	10.000	RMFP-171/KB001/1000	617.09
	12.000	RMFP-171/KB001/1200	698.49
	14.000	RMFP-171/KB001/1400	O/R
	16.000	RMFP-171/KB001/1600	O/R
	18.000	RMFP-171/KB001/1800	O/R
	20.000	RMFP-171/KB001/2000	O/R

All manufacturer's names, part numbers and descriptions are used for reference purposes only. We do not imply that any part shown is the product of these manufacturers.

INDUSTRIAL SEAL KITS

MOBILE SEAL KITS

MILLER



COMPONENTS

- 1-GLAND CARTRIDGE
- 2-ROD WIPER
- 3-ROD SEAL
- 4-O'RING
- 5-TUBE END SEAL
- 6-PISTON SEAL
- 7-GUIDING ELEMENT

** PISTON SEAL KITS AND TUBE END SEAL AVAILABLE ON REQUEST UP TO 20" DIAMETER.

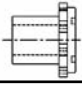
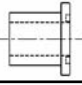
TUBE END SEAL - SOLID (5)** (ALSO AVAILABLE AS A STRIP)

Rod	Bore	Ref. Number	\$
	1.500	RMFP-170/ES010/150	10.51
	2.000	RMFP-170/ES010/200	14.88
	2.500	RMFP-170/ES010/250	19.31
	3.250	RMFP-170/ES010/325	20.12
	4.000	RMFP-170/ES010/400	24.08
	5.000	RMFP-170/ES010/500	28.85
	6.000	RMFP-170/ES010/600	33.38
	7.000	RMFP-170/ES010/700	37.90
	8.000	RMFP-170/ES010/800	47.46
	10.000	RMFP-170/ES010/1000	55.10
	12.000	RMFP-170/ES010/1200	61.40
	14.000	RMFP-170/ES010/1400	O/R
	16.000	RMFP-170/ES010/1600	O/R
	18.000	RMFP-170/ES010/1800	O/R
	20.000	RMFP-170/ES010/2000	O/R

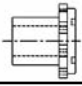
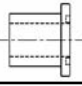
All manufacturer's names, part numbers and descriptions are used for reference purposes only. We do not imply that any part shown is the product of these manufacturers.

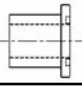
Remsa [KITS]

"STAR" BUSHINGS - SERIES A, J & H

BUSHING - BOLTED - IRON 				BUSHING - RETAINER HELD - IRON 			
Rod	Bore	Ref. Number	\$	Rod	Bore	Ref. Number	\$
0.625		RMFP-050/BU101/063	124.85	0.625		RMFP-050/BU013/063	48.75
1.000		RMFP-050/BU101/100	151.50	1.000		RMFP-050/BU013/100	53.44
1.375		RMFP-050/BU101/138	179.81	1.375		RMFP-050/BU013/138	69.04
1.750		RMFP-050/BU101/175	160.08	1.750		RMFP-050/BU013/175	97.78
2.000		RMFP-050/BU101/200	223.51	2.000		RMFP-050/BU013/200	O/R
2.500		RMFP-050/BU101/250	313.06	2.500		RMFP-050/BU013/250	O/R
3.000		RMFP-050/BU101/300	347.60	3.000		RMFP-050/BU013/300	O/R
3.500		RMFP-050/BU101/350	410.54	3.500		RMFP-050/BU013/350	O/R
4.000		RMFP-050/BU101/400	601.72	4.000		RMFP-050/BU013/400	O/R
4.500		RMFP-050/BU101/450	651.10	4.500		RMFP-050/BU013/450	O/R
5.000		RMFP-050/BU101/500	739.83	5.000		RMFP-050/BU013/500	O/R
5.500		RMFP-050/BU101/550	810.76	5.500		RMFP-050/BU013/550	O/R

BUSHINGS - SERIES A, J & H

BUSHING - BOLTED - IRON 				RETAINER HELD - IRON 			
Rod	Bore	Ref. Number	\$	Rod	Bore	Ref. Number	\$
0.625		RMFP-050/BU024/063	113.04	0.625		RMFP-050/BU022/063	51.49
1.000		RMFP-050/BU024/100	136.17	1.000		RMFP-050/BU022/100	64.55
1.375		RMFP-050/BU024/138	175.22	1.375		RMFP-050/BU022/138	78.34
1.750		RMFP-050/BU024/175	177.21	1.750		RMFP-050/BU022/175	112.18
2.000		RMFP-050/BU024/200	198.90	2.000		RMFP-050/BU022/200	139.67
2.500		RMFP-050/BU024/250	229.55	2.500		RMFP-050/BU022/250	225.27
3.000		RMFP-050/BU024/300	272.33	3.000		RMFP-050/BU022/300	226.62
3.500		RMFP-050/BU024/350	264.55	3.500		RMFP-050/BU022/350	211.64
4.000		RMFP-050/BU024/400	297.61				
4.500		RMFP-050/BU024/450	317.46				
5.000		RMFP-050/BU024/500	396.82				
5.500		RMFP-050/BU024/550	529.09				


RETAINER - IRON 			
Rod	Bore	Ref. Number	\$
0.625		RMFP-050/RT005/063	32.50
1.000		RMFP-050/RT005/100	36.24
1.375		RMFP-050/RT005/138	46.30
1.750		RMFP-050/RT005/175	O/R
2.000		RMFP-050/RT005/200	O/R
2.500		RMFP-050/RT005/250	O/R
3.000		RMFP-050/RT005/300	O/R
3.500		RMFP-050/RT005/350	O/R


All manufacturer's names, part numbers and descriptions are used for reference purposes only. We do not imply that any part shown is the product of these manufacturers.


INDUSTRIAL
SEAL KITS


MOBILE
SEAL KITS


MILLER


ROD WIPERS - AIR & HYDRAULIC SERVICE 			
Rod	Bore	Ref. Number	\$
0.625		RMFP-051/WP001/063	5.68
1.000		RMFP-051/WP001/100	6.74
1.375		RMFP-051/WP001/138	8.51
1.750		RMFP-051/WP001/175	10.34
2.000		RMFP-051/WP001/200	11.80
2.500		RMFP-051/WP001/250	20.53
3.000		RMFP-051/WP001/300	22.92
3.500		RMFP-051/WP001/350	25.90
4.000		RMFP-051/WP001/400	29.42
4.500		RMFP-051/WP001/450	38.50
5.000		RMFP-051/WP001/500	41.48
5.500		RMFP-051/WP001/550	42.19
7.000		RMFP-051/WP001/700	41.23
8.000		RMFP-051/WP001/800	52.78
10.000		RMFP-051/WP001/1000	68.56

ROD SEALS - HYDRAULIC SERVICE 			
Rod	Bore	Ref. Number	\$
0.625		RMFP-051/RS007/063	7.88
1.000		RMFP-051/RS007/100	10.13
1.375		RMFP-051/RS007/138	11.92
1.750		RMFP-051/RS007/175	12.57
2.000		RMFP-051/RS007/200	13.00
2.500		RMFP-051/RS007/250	16.65
3.000		RMFP-051/RS007/300	23.19
3.500		RMFP-051/RS007/350	29.56
4.000		RMFP-051/RS007/400	31.80
4.500		RMFP-051/RS007/450	37.03
5.000		RMFP-051/RS007/500	39.83
5.500		RMFP-051/RS007/550	46.77
7.000		RMFP-051/RS007/700	54.94
8.000		RMFP-051/RS007/800	64.69
10.000		RMFP-051/RS007/1000	86.43

ROD SEALS - AIR SERVICE 			
Rod	Bore	Ref. Number	\$
0.625		RMFP-051/RS014/063	9.94
1.000		RMFP-051/RS014/100	16.24
1.375		RMFP-051/RS014/138	10.13
1.750		RMFP-051/RS014/175	12.79
2.000		RMFP-051/RS014/200	15.81
2.500		RMFP-051/RS014/250	20.78
3.000		RMFP-051/RS014/300	22.90
3.500		RMFP-051/RS014/350	32.86
4.000		RMFP-051/RS014/400	39.08
4.500		RMFP-051/RS014/450	45.10
5.000		RMFP-051/RS014/500	51.23
5.500		RMFP-051/RS014/550	57.26

ROD SEAL CAGE - HYDRAULIC SERVICE 			
Rod	Bore	Ref. Number	\$
0.625		RMFP-051/CG001/063	16.88
1.000		RMFP-051/CG001/100	20.02
1.375		RMFP-051/CG001/138	22.42
1.750		RMFP-051/CG001/175	23.67
2.000		RMFP-051/CG001/200	25.95
2.500		RMFP-051/CG001/250	29.37
3.000		RMFP-051/CG001/300	40.94
3.500		RMFP-051/CG001/350	42.34
4.000		RMFP-051/CG001/400	52.91
4.500		RMFP-051/CG001/450	59.52
5.000		RMFP-051/CG001/500	66.14
5.500		RMFP-051/CG001/550	79.36

ROD SEAL WAVE SPRING - HYDRAULIC SERVICE 			
Rod	Bore	Ref. Number	\$
0.625		RMFP-051/WS004/063	14.67
1.000		RMFP-051/WS004/100	14.67
1.375		RMFP-051/WS004/138	14.67
1.750		RMFP-051/WS004/175	14.67
2.000		RMFP-051/WS003/200	17.85
2.500		RMFP-051/WS003/250	18.79
3.000		RMFP-051/WS003/300	22.51
3.500		RMFP-051/WS003/350	22.25
4.000		RMFP-051/WS003/400	26.94
4.500		RMFP-051/WS003/450	37.72
5.000		RMFP-051/WS003/500	43.11
5.500		RMFP-051/WS003/550	53.89

BRONZE PRESSURE RING - HYDRAULIC SERVICE 			
Rod	Bore	Ref. Number	\$
0.625		RMFP-051/PG001/063	20.07
1.000		RMFP-051/PG001/100	25.07
1.375		RMFP-051/PG001/138	37.24
1.750		RMFP-051/PG001/175	50.56
2.000		RMFP-051/PG001/200	59.12
2.500		RMFP-051/PG001/250	73.69
3.000		RMFP-051/PG001/300	103.20
3.500		RMFP-051/PG001/350	96.02
4.000		RMFP-051/PG001/400	102.88
4.500		RMFP-051/PG001/450	109.74
5.000		RMFP-051/PG001/500	123.45
5.500		RMFP-051/PG001/550	134.31


All manufacturer's names, part numbers and descriptions are used for reference purposes only. We do not imply that any part shown is the product of these manufacturers.


Remsa [KITS]


**INDUSTRIAL
SEAL KITS**


**MOBILE
SEAL KITS**


MILLER


PISTON LIPSEALS - AIR SERVICE - NBR 			
Rod	Bore	Ref. Number	\$
	1.500	RMFP-052/PS025/150	9.09
	2.000	RMFP-052/PS025/200	10.30
	2.500	RMFP-052/PS025/250	10.96
	3.250	RMFP-052/PS025/325	12.96
	4.000	RMFP-052/PS025/400	18.12
	5.000	RMFP-052/PS025/500	21.57
	6.000	RMFP-052/PS025/600	27.63
	10.000	RMFP-052/PS025/1000	63.86

PISTON LIPSEALS - HYDRAULIC SERVICE - PTFE 			
Rod	Bore	Ref. Number	\$
	1.500	RMFP-052/PS017/150	12.96
	2.000	RMFP-052/PS017/200	13.05
	2.500	RMFP-052/PS017/250	15.40
	3.250	RMFP-052/PS017/325	20.09
	4.000	RMFP-052/PS017/400	26.65
	5.000	RMFP-052/PS017/500	39.97
	6.000	RMFP-052/PS017/600	45.70
	7.000	RMFP-052/PS017/700	55.53
	8.000	RMFP-052/PS017/800	64.67
	10.000	RMFP-052/PS017/1000	102.13
	12.000	RMFP-052/PS017/1200	136.97
	14.000	RMFP-052/PS017/1400	203.00

PISTON CUPS - AIR SERVICE - NBR 			
Rod	Bore	Ref. Number	\$
	1.500	RMFP-052/PS001/150	10.30
	2.000	RMFP-052/PS001/200	11.02
	2.500	RMFP-052/PS001/250	15.05
	3.250	RMFP-052/PS001/325	23.50
	4.000	RMFP-052/PS001/400	27.41
	5.000	RMFP-052/PS001/500	35.51
	6.000	RMFP-052/PS001/600	40.37
	8.000	RMFP-052/PS001/800	46.14
	10.000	RMFP-052/PS001/1000	55.13
	12.000	RMFP-052/PS001/1200	168.00
	14.000	RMFP-052/PS001/1400	189.27

PISTON CUPS - HYDRAULIC SERVICE - LEATHER 			
Rod	Bore	Ref. Number	\$
	1.500	RMFP-052/PS003/150	16.51
	2.000	RMFP-052/PS003/200	20.24
	2.500	RMFP-052/PS003/250	27.12
	3.250	RMFP-052/PS003/325	42.59
	4.000	RMFP-052/PS003/400	52.45
	5.000	RMFP-052/PS003/500	72.95
	6.000	RMFP-052/PS003/600	98.88
	7.000	RMFP-052/PS003/700	127.37
	8.000	RMFP-052/PS003/800	154.48
	10.000	RMFP-052/PS003/1000	366.20
	12.000	RMFP-052/PS003/1200	510.80

PISTON CUPS - HYDRAULIC SERVICE - PTFE 			
Rod	Bore	Ref. Number	\$
	1.500	RMFP-052/PS006/150	17.97
	2.000	RMFP-052/PS006/200	24.63
	2.500	RMFP-052/PS006/250	26.73
	3.250	RMFP-052/PS006/325	34.65
	4.000	RMFP-052/PS006/400	42.79
	5.000	RMFP-052/PS006/500	64.09
	6.000	RMFP-052/PS006/600	77.44
	7.000	RMFP-052/PS006/700	186.19
	8.000	RMFP-052/PS006/800	104.79
	10.000	RMFP-052/PS006/1000	135.19
	12.000	RMFP-052/PS006/1200	180.32

PISTON RINGS - HYDRAULIC SERVICE - CAST IRON 			
Rod	Bore	Ref. Number	\$
	1.500	RMFP-052/PS027/150	20.34
	2.000	RMFP-052/PS027/200	19.33
	2.500	RMFP-052/PS027/250	19.33
	3.250	RMFP-052/PS027/325	21.15
	4.000	RMFP-052/PS027/400	21.35
	5.000	RMFP-052/PS027/500	22.70
	6.000	RMFP-052/PS027/600	27.69
	7.000	RMFP-052/PS027/700	29.71
	8.000	RMFP-052/PS027/800	33.82


All manufacturer's names, part numbers and descriptions are used for reference purposes only. We do not imply that any part shown is the product of these manufacturers.


Remsa [KITS]


INDUSTRIAL
SEAL KITS


MOBILE
SEAL KITS

MILLER

PISTON WEAR RING - AIR SERVICE - PTFE 			
Rod	Bore	Ref. Number	\$
	3.250	RMFP-052/WR005/325/25	30.71
	4.000	RMFP-052/WR005/400/25	38.33
	5.000	RMFP-052/WR005/500/25	48.10
	6.000	RMFP-052/WR005/600/25	57.51
	8.000	RMFP-052/WR005/800/38	57.89
	10.000	RMFP-052/WR005/1000/38	61.30

PISTON WEAR RINGS - HYDRAULIC SERVICE - POLYACETAL 			
Rod	Bore	Ref. Number	\$
	1.500	RMFP-052/WR009/150/25	19.78
	2.000	RMFP-052/WR009/200/25	22.78
	2.000	RMFP-052/WR009/200/31	23.13
	2.500	RMFP-052/WR009/250/25	28.03
	2.500	RMFP-052/WR009/250/38	29.76
	3.250	RMFP-052/WR009/325/25	38.36
	3.250	RMFP-052/WR009/325/50	42.56
	4.000	RMFP-052/WR009/400/25	44.51
	4.000	RMFP-052/WR009/400/63	60.17
	5.000	RMFP-052/WR009/500/75	119.63
	6.000	RMFP-052/WR009/600/75	154.95
	7.000	RMFP-052/WR009/800/75	141.17

PISTON WEAR RING - HYDRAULIC SERVICE - BRONZE 			
Rod	Bore	Ref. Number	\$
	7.000	RMFP-052/WR008/700/75	161.77
	8.000	RMFP-052/WR008/800/1250	235.46
	10.000	RMFP-052/WR008/1000/125	252.69
	12.000	RMFP-052/WR008/1200/125	276.63

PISTON FOLLOWER SEALS - PTFE 			
Rod	Bore	Ref. Number	\$
0.625		RMFP-052/FS001/044	4.39
1.000		RMFP-052/FS001/075	5.98
1.375		RMFP-052/FS001/100	11.02
1.750		RMFP-052/FS001/125	12.24
2.000		RMFP-052/FS001/150	15.47
2.500		RMFP-052/FS001/188	17.27
3.250		RMFP-052/FS001/250	17.85

All manufacturer's names, part numbers and descriptions are used for reference purposes only. We do not imply that any part shown is the product of these manufacturers.

Remsa [KITS]

**INDUSTRIAL
SEAL KITS**

**MOBILE
SEAL KITS**

MILLER

Rod	Bore	Ref. Number	\$	Rod	Bore	Ref. Number	\$
0.250	0.562	RMFP-008/SH001/30	72.98	4.000		RMFP-050/BU024/400	297.61
0.312	0.750	RMFP-030/CRK01/056	8.57	4.500		RMFP-050/BU024/450	317.46
0.625	1.500	RMFP-030/CRK01/075	8.94	5.000		RMFP-050/BU024/500	396.82
0.750	2.000	RMFP-030/CRK01/150	10.04	5.500		RMFP-050/BU024/550	529.09
0.750	2.500	RMFP-030/CRK01/200	11.27	0.625		RMFP-050/BU100/063	64.76
0.875	3.000	RMFP-030/CRK01/250	12.21	1.000		RMFP-050/BU100/100	110.42
1.000	4.000	RMFP-030/CRK01/300	21.15	1.375		RMFP-050/BU100/138	119.77
0.250	0.562	RMFP-030/CRK01/400	25.84	0.625		RMFP-050/BU101/063	124.85
0.312	0.750	RMFP-030/CRK02/056	19.27	1.000		RMFP-050/BU101/100	151.50
0.625	1.500	RMFP-030/CRK02/075	21.15	1.375		RMFP-050/BU101/138	179.81
0.750	2.000	RMFP-030/CRK02/150	27.72	1.750		RMFP-050/BU101/175	160.08
0.750	2.500	RMFP-030/CRK02/200	29.11	2.000		RMFP-050/BU101/200	223.51
0.875	3.000	RMFP-030/CRK02/250	38.50	2.500		RMFP-050/BU101/250	313.06
1.000	4.000	RMFP-030/CRK02/300	70.91	3.000		RMFP-050/BU101/300	347.60
0.250	0.562	RMFP-030/CRK02/400	83.12	3.500		RMFP-050/BU101/350	410.54
0.312	0.750	RMFP-030/CRK03/056	26.29	4.000		RMFP-050/BU101/400	601.72
0.625	1.500	RMFP-030/CRK03/075	26.78	4.500		RMFP-050/BU101/450	651.10
0.750	2.000	RMFP-030/CRK03/150	30.99	5.000		RMFP-050/BU101/500	739.83
0.750	2.500	RMFP-030/CRK03/200	32.86	5.500		RMFP-050/BU101/550	810.76
0.875	3.000	RMFP-030/CRK03/250	26.78	0.625		RMFP-050/RT005/063	32.50
1.000	4.000	RMFP-030/CRK03/300	38.99	1.000		RMFP-050/RT005/100	36.24
0.250	0.562	RMFP-030/CRK03/400	42.74	1.375		RMFP-050/RT005/138	46.30
0.312	0.750	RMFP-030/CRK04/056	54.95	1.750		RMFP-050/RT005/175	O/R
0.625	1.500	RMFP-030/CRK04/075	56.83	2.000		RMFP-050/RT005/200	O/R
0.750	2.000	RMFP-030/CRK04/150	76.55	2.500		RMFP-050/RT005/250	O/R
0.750	2.500	RMFP-030/CRK04/200	95.78	3.000		RMFP-050/RT005/300	O/R
0.875	3.000	RMFP-030/CRK04/250	107.04	3.500		RMFP-050/RT005/350	O/R
1.000	4.000	RMFP-030/CRK04/300	169.02	0.625		RMFP-051/CG001/063	16.88
0.500	1.125	RMFP-030/CRK04/400	188.73	1.000		RMFP-051/CG001/100	20.02
0.500	1.125	RMFP-030/CRK01/113	9.10	1.375		RMFP-051/CG001/138	22.42
0.625		RMFP-030/CRK02/113	22.54	1.750		RMFP-051/CG001/175	23.67
1.000		RMFP-050/BU013/063	48.75	2.000		RMFP-051/CG001/200	25.95
1.375		RMFP-050/BU013/100	53.44	2.500		RMFP-051/CG001/250	29.37
1.750		RMFP-050/BU013/138	69.04	3.000		RMFP-051/CG001/300	40.94
2.000		RMFP-050/BU013/175	97.78	3.500		RMFP-051/CG001/350	42.34
2.500		RMFP-050/BU013/200	O/R	4.000		RMFP-051/CG001/400	52.91
3.000		RMFP-050/BU013/250	O/R	4.500		RMFP-051/CG001/450	59.52
3.500		RMFP-050/BU013/300	O/R	5.000		RMFP-051/CG001/500	66.14
4.000		RMFP-050/BU013/350	O/R	5.500		RMFP-051/CG001/550	79.36
4.500		RMFP-050/BU013/400	O/R	0.625		RMFP-051/KR009/063	10.00
5.000		RMFP-050/BU013/450	O/R	1.000		RMFP-051/KR009/100	12.53
5.500		RMFP-050/BU013/500	O/R	1.375		RMFP-051/KR009/138	15.64
0.625		RMFP-050/BU013/550	O/R	1.750		RMFP-051/KR009/175	19.43
1.000		RMFP-050/BU022/063	51.49	2.000		RMFP-051/KR009/200	23.19
1.375		RMFP-050/BU022/100	64.55	2.500		RMFP-051/KR009/250	34.66
1.750		RMFP-050/BU022/138	78.34	3.000		RMFP-051/KR009/300	38.46
2.000		RMFP-050/BU022/175	112.18	0.625		RMFP-051/KR010/063	60.15
2.500		RMFP-050/BU022/200	139.67	1.000		RMFP-051/KR010/100	80.94
3.000		RMFP-050/BU022/250	225.27	1.375		RMFP-051/KR010/138	91.96
3.500		RMFP-050/BU022/300	226.62	1.750		RMFP-051/KR010/175	135.07
0.625		RMFP-050/BU022/350	211.64	2.000		RMFP-051/KR010/200	157.99
1.000		RMFP-050/BU024/063	113.04	2.500		RMFP-051/KR010/250	227.33
1.375		RMFP-050/BU024/100	136.17	3.000		RMFP-051/KR010/300	296.70
1.750		RMFP-050/BU024/138	175.22	0.625		RMFP-051/KR011/063	102.15
2.000		RMFP-050/BU024/175	177.21	1.000		RMFP-051/KR011/100	118.18
2.500		RMFP-050/BU024/200	198.90	1.375		RMFP-051/KR011/138	127.92
3.000		RMFP-050/BU024/250	229.55	1.750		RMFP-051/KR011/175	190.21
3.500		RMFP-050/BU024/300	272.33	2.000		RMFP-051/KR011/200	227.89
		RMFP-050/BU024/350	264.55	2.500		RMFP-051/KR011/250	293.05

All manufacturer's names, part numbers and descriptions are used for reference purposes only. We do not imply that any part shown is the product of these manufacturers.

Remsa [KITS]

**INDUSTRIAL
SEAL KITS**

**MOBILE
SEAL KITS**

MILLER

Rod	Bore	Ref. Number	\$	Rod	Bore	Ref. Number	\$
3.000		RMFP-051/KR011/300	351.69	1.000		RMFP-051/KR080/100	28.73
0.625		RMFP-051/KR012/063	60.65	10.000		RMFP-051/KR080/1000	0/R
1.000		RMFP-051/KR012/100	72.61	1.375		RMFP-051/KR080/138	38.18
1.375		RMFP-051/KR012/138	89.91	1.750		RMFP-051/KR080/175	47.32
1.750		RMFP-051/KR012/175	109.20	2.000		RMFP-051/KR080/200	53.12
2.000		RMFP-051/KR012/200	127.50	2.500		RMFP-051/KR080/250	63.42
2.500		RMFP-051/KR012/250	158.73	3.000		RMFP-051/KR080/300	114.23
3.000		RMFP-051/KR012/300	212.53	3.500		RMFP-051/KR080/350	122.40
0.625		RMFP-051/KR014/063	107.76	4.000		RMFP-051/KR080/400	137.49
1.000		RMFP-051/KR014/100	132.81	4.500		RMFP-051/KR080/450	155.42
1.375		RMFP-051/KR014/138	163.26	5.000		RMFP-051/KR080/500	166.15
1.750		RMFP-051/KR014/175	221.18	5.500		RMFP-051/KR080/550	259.65
2.000		RMFP-051/KR014/200	266.90	7.000		RMFP-051/KR080/700	0/R
2.500		RMFP-051/KR014/250	328.89	8.000		RMFP-051/KR080/800	0/R
3.000		RMFP-051/KR014/300	434.44	9.000		RMFP-051/KR080/900	0/R
0.625		RMFP-051/KR015/063	133.19	0.625		RMFP-051/PG001/063	20.07
1.000		RMFP-051/KR015/100	160.33	1.000		RMFP-051/PG001/100	25.07
1.375		RMFP-051/KR015/138	198.52	1.375		RMFP-051/PG001/138	37.24
1.750		RMFP-051/KR015/175	252.66	1.750		RMFP-051/PG001/175	50.56
2.000		RMFP-051/KR015/200	297.03	2.000		RMFP-051/PG001/200	59.12
2.500		RMFP-051/KR015/250	384.06	2.500		RMFP-051/PG001/250	73.69
3.000		RMFP-051/KR015/300	479.62	3.000		RMFP-051/PG001/300	103.20
3.500		RMFP-051/KR015/350	710.60	3.500		RMFP-051/PG001/350	96.02
0.625		RMFP-051/KR024/063	54.99	4.000		RMFP-051/PG001/400	102.88
1.000		RMFP-051/KR024/100	65.89	4.500		RMFP-051/PG001/450	109.74
1.375		RMFP-051/KR024/138	81.44	5.000		RMFP-051/PG001/500	123.45
1.750		RMFP-051/KR024/175	98.89	5.500		RMFP-051/PG001/550	134.31
2.000		RMFP-051/KR024/200	115.72	0.625		RMFP-051/RS007/063	7.88
2.500		RMFP-051/KR024/250	138.25	1.000		RMFP-051/RS007/100	10.13
3.000		RMFP-051/KR024/300	189.64	10.000		RMFP-051/RS007/1000	86.43
0.625		RMFP-051/KR074/063	136.87	1.375		RMFP-051/RS007/138	11.92
1.000		RMFP-051/KR074/100	170.30	1.750		RMFP-051/RS007/175	12.57
1.375		RMFP-051/KR074/138	200.77	2.000		RMFP-051/RS007/200	13.00
1.750		RMFP-051/KR074/175	0/R	2.500		RMFP-051/RS007/250	16.65
2.000		RMFP-051/KR074/200	0/R	3.000		RMFP-051/RS007/300	23.19
2.500		RMFP-051/KR074/250	0/R	3.500		RMFP-051/RS007/350	29.56
3.000		RMFP-051/KR074/300	0/R	4.000		RMFP-051/RS007/400	31.80
3.500		RMFP-051/KR074/350	0/R	4.500		RMFP-051/RS007/450	37.03
4.000		RMFP-051/KR074/400	0/R	5.000		RMFP-051/RS007/500	39.83
4.500		RMFP-051/KR074/450	0/R	5.500		RMFP-051/RS007/550	46.77
5.000		RMFP-051/KR074/500	0/R	7.000		RMFP-051/RS007/700	54.94
5.500		RMFP-051/KR074/550	0/R	8.000		RMFP-051/RS007/800	64.69
0.625		RMFP-051/KR075/063	183.86	9.000		RMFP-051/RS007/900	64.74
1.000		RMFP-051/KR075/100	221.74	0.625		RMFP-051/RS014/063	9.94
10.000		RMFP-051/KR075/1000	0/R	1.000		RMFP-051/RS014/100	16.24
1.375		RMFP-051/KR075/138	259.92	1.375		RMFP-051/RS014/138	10.13
1.750		RMFP-051/KR075/175	281.67	1.750		RMFP-051/RS014/175	12.79
2.000		RMFP-051/KR075/200	331.77	2.000		RMFP-051/RS014/200	15.81
2.500		RMFP-051/KR075/250	455.54	2.500		RMFP-051/RS014/250	20.78
3.000		RMFP-051/KR075/300	583.52	3.000		RMFP-051/RS014/300	22.90
3.500		RMFP-051/KR075/350	782.61	3.500		RMFP-051/RS014/350	32.86
4.000		RMFP-051/KR075/400	841.43	4.000		RMFP-051/RS014/400	39.08
4.500		RMFP-051/KR075/450	905.60	4.500		RMFP-051/RS014/450	45.10
5.000		RMFP-051/KR075/500	1,205.35	5.000		RMFP-051/RS014/500	51.23
5.500		RMFP-051/KR075/550	1,686.46	5.500		RMFP-051/RS014/550	57.26
7.000		RMFP-051/KR075/700	0/R	0.625		RMFP-051/WP001/063	5.68
8.000		RMFP-051/KR075/800	0/R	1.000		RMFP-051/WP001/100	6.74
9.000		RMFP-051/KR075/900	0/R	10.000		RMFP-051/WP001/1000	68.56
0.625		RMFP-051/KR080/063	16.26	1.375		RMFP-051/WP001/138	8.51

All manufacturer's names, part numbers and descriptions are used for reference purposes only. We do not imply that any part shown is the product of these manufacturers.

Remsa [KITS]

**INDUSTRIAL
SEAL KITS**

**MOBILE
SEAL KITS**

MILLER

Rod	Bore	Ref. Number	\$	Rod	Bore	Ref. Number	\$
1.750		RMFP-051/WP001/175	10.34		4.000	RMFP-052/PS006/400	42.79
2.000		RMFP-051/WP001/200	11.80		5.000	RMFP-052/PS006/500	64.09
2.500		RMFP-051/WP001/250	20.53		6.000	RMFP-052/PS006/600	77.44
3.000		RMFP-051/WP001/300	22.92		7.000	RMFP-052/PS006/700	186.19
3.500		RMFP-051/WP001/350	25.90		8.000	RMFP-052/PS006/800	104.79
4.000		RMFP-051/WP001/400	29.42		12.000	RMFP-052/PS016/1200	52.53
4.500		RMFP-051/WP001/450	38.50		8.000	RMFP-052/PS016/800	22.16
5.000		RMFP-051/WP001/500	41.48		10.000	RMFP-052/PS017/1000	102.13
5.500		RMFP-051/WP001/550	42.19		12.000	RMFP-052/PS017/1200	136.97
7.000		RMFP-051/WP001/700	41.23		14.000	RMFP-052/PS017/1400	203.00
8.000		RMFP-051/WP001/800	52.78		1.500	RMFP-052/PS017/150	12.96
9.000		RMFP-051/WP001/900	66.94		16.000	RMFP-052/PS017/1600	210.90
2.000		RMFP-051/WS003/200	17.85		18.000	RMFP-052/PS017/1800	259.29
2.500		RMFP-051/WS003/250	18.79		2.000	RMFP-052/PS017/200	13.05
3.000		RMFP-051/WS003/300	22.51		20.000	RMFP-052/PS017/2000	692.71
3.500		RMFP-051/WS003/350	22.25		2.500	RMFP-052/PS017/250	15.40
4.000		RMFP-051/WS003/400	26.94		3.250	RMFP-052/PS017/325	20.09
4.500		RMFP-051/WS003/450	37.72		4.000	RMFP-052/PS017/400	26.65
5.000		RMFP-051/WS003/500	43.11		5.000	RMFP-052/PS017/500	39.97
5.500		RMFP-051/WS003/550	53.89		6.000	RMFP-052/PS017/600	45.70
0.625		RMFP-051/WS004/063	14.67		7.000	RMFP-052/PS017/700	55.53
1.000		RMFP-051/WS004/100	14.67		8.000	RMFP-052/PS017/800	64.67
1.375		RMFP-051/WS004/138	14.67		10.000	RMFP-052/PS025/1000	63.86
1.750		RMFP-051/WS004/175	14.67		14.000	RMFP-052/PS025/1400	123.99
0.437		RMFP-052/FS001/044	7.44		1.500	RMFP-052/PS025/150	9.09
0.750		RMFP-052/FS001/075	7.11		16.000	RMFP-052/PS025/1600	275.13
1.000		RMFP-052/FS001/100	11.02		2.000	RMFP-052/PS025/200	10.30
1.250		RMFP-052/FS001/125	12.24		2.500	RMFP-052/PS025/250	10.96
1.500		RMFP-052/FS001/150	15.47		3.250	RMFP-052/PS025/325	12.96
1.875		RMFP-052/FS001/188	17.27		4.000	RMFP-052/PS025/400	18.12
2.500		RMFP-052/FS001/250	17.85		5.000	RMFP-052/PS025/500	21.57
	10.000	RMFP-052/PS001/1000	55.13		6.000	RMFP-052/PS025/600	27.63
	12.000	RMFP-052/PS001/1200	168.00		7.000	RMFP-052/PS025/700	17.89
	14.000	RMFP-052/PS001/1400	189.27		1.500	RMFP-052/PS027/150	20.34
	1.500	RMFP-052/PS001/150	10.30		2.000	RMFP-052/PS027/200	19.33
	2.000	RMFP-052/PS001/200	11.02		2.500	RMFP-052/PS027/250	19.33
	2.500	RMFP-052/PS001/250	15.05		3.250	RMFP-052/PS027/325	21.15
	3.250	RMFP-052/PS001/325	23.50		4.000	RMFP-052/PS027/400	21.35
	4.000	RMFP-052/PS001/400	27.41		5.000	RMFP-052/PS027/500	22.70
	5.000	RMFP-052/PS001/500	35.51		6.000	RMFP-052/PS027/600	27.69
	6.000	RMFP-052/PS001/600	40.37		7.000	RMFP-052/PS027/700	29.71
	8.000	RMFP-052/PS001/800	46.14		8.000	RMFP-052/PS027/800	33.82
	10.000	RMFP-052/PS003/1000	366.20		10.000	RMFP-052/WR005/1000/38	61.30
	12.000	RMFP-052/PS003/1200	510.80		12.000	RMFP-052/WR005/1200/38	77.19
	1.500	RMFP-052/PS003/150	16.51		1.500	RMFP-052/WR005/150/25	21.69
	2.000	RMFP-052/PS003/200	20.24		16.000	RMFP-052/WR005/1600/50	120.21
	2.500	RMFP-052/PS003/250	27.12		18.000	RMFP-052/WR005/1800/50	124.35
	3.250	RMFP-052/PS003/325	42.59		2.000	RMFP-052/WR005/200/25	22.83
	4.000	RMFP-052/PS003/400	52.45		20.000	RMFP-052/WR005/2000/50	144.25
	5.000	RMFP-052/PS003/500	72.95		2.500	RMFP-052/WR005/250/25	24.10
	6.000	RMFP-052/PS003/600	98.88		3.250	RMFP-052/WR005/325/25	30.71
	7.000	RMFP-052/PS003/700	127.37		4.000	RMFP-052/WR005/400/25	38.33
	8.000	RMFP-052/PS003/800	154.48		5.000	RMFP-052/WR005/500/25	48.10
	10.000	RMFP-052/PS006/1000	135.19		6.000	RMFP-052/WR005/600/25	57.51
	12.000	RMFP-052/PS006/1200	180.32		7.000	RMFP-052/WR005/700/38	40.85
	1.500	RMFP-052/PS006/150	17.97		8.000	RMFP-052/WR005/800/38	57.89
	2.000	RMFP-052/PS006/200	24.63		10.000	RMFP-052/WR008/1000/125	252.69
	2.500	RMFP-052/PS006/250	26.73		12.000	RMFP-052/WR008/1200/125	276.63
	3.250	RMFP-052/PS006/325	34.65		7.000	RMFP-052/WR008/700/75	161.77

All manufacturer's names, part numbers and descriptions are used for reference purposes only. We do not imply that any part shown is the product of these manufacturers.

Remsa [KITS]

**INDUSTRIAL
SEAL KITS**

**MOBILE
SEAL KITS**

MILLER

Rod	Bore	Ref. Number	\$	Rod	Bore	Ref. Number	\$
	8.000	RMFP-052/WR008/800/125	216.59		1.500	RMFP-091/KB001/150	73.91
	8.000	RMFP-052/WR008/800/1250	235.46		16.000	RMFP-091/KB001/1600	0/R
	1.500	RMFP-052/WR009/150/25	19.78		18.000	RMFP-091/KB001/1800	0/R
	2.000	RMFP-052/WR009/200/25	22.78		2.000	RMFP-091/KB001/200	74.32
	2.000	RMFP-052/WR009/200/31	23.13		20.000	RMFP-091/KB001/2000	0/R
	2.500	RMFP-052/WR009/250/25	28.03		2.500	RMFP-091/KB001/250	86.55
	2.500	RMFP-052/WR009/250/38	29.76		3.250	RMFP-091/KB001/325	113.53
	3.250	RMFP-052/WR009/325/25	38.36		4.000	RMFP-091/KB001/400	124.91
	3.250	RMFP-052/WR009/325/50	42.56		5.000	RMFP-091/KB001/500	175.75
	4.000	RMFP-052/WR009/400/25	44.51		6.000	RMFP-091/KB001/600	187.80
	4.000	RMFP-052/WR009/400/63	60.17		7.000	RMFP-091/KB001/700	193.51
	5.000	RMFP-052/WR009/500/75	119.63		8.000	RMFP-091/KB001/800	208.45
	6.000	RMFP-052/WR009/600/75	154.95		3.250	RMFP-150/KB001/325	183.96
	7.000	RMFP-052/WR009/800/75	141.17		5.000	RMFP-150/KB001/500	309.44
	10.000	RMFP-090/ES006/1000	28.39		10.000	RMFP-170/ES006/1000	28.39
	12.000	RMFP-090/ES006/1200	33.12		12.000	RMFP-170/ES006/1200	33.12
	14.000	RMFP-090/ES006/1400	37.86		14.000	RMFP-170/ES006/1400	37.86
	1.500	RMFP-090/ES006/150	5.52		1.500	RMFP-170/ES006/150	5.42
	2.000	RMFP-090/ES006/200	10.00		18.000	RMFP-170/ES006/1800	47.33
	2.500	RMFP-090/ES006/250	10.11		2.000	RMFP-170/ES006/200	9.88
	3.250	RMFP-090/ES006/325	11.70		2.500	RMFP-170/ES006/250	10.00
	4.000	RMFP-090/ES006/400	14.49		3.250	RMFP-170/ES006/325	10.33
	5.000	RMFP-090/ES006/500	15.53		4.000	RMFP-170/ES006/400	14.71
	6.000	RMFP-090/ES006/600	19.19		5.000	RMFP-170/ES006/500	15.49
	7.000	RMFP-090/ES006/700	18.92		6.000	RMFP-170/ES006/600	18.33
	8.000	RMFP-090/ES006/800	23.65		7.000	RMFP-170/ES006/700	18.92
	10.000	RMFP-090/ES009/1000	54.68		8.000	RMFP-170/ES006/800	23.65
	12.000	RMFP-090/ES009/1200	60.86		10.000	RMFP-170/ES010/1000	55.10
	14.000	RMFP-090/ES009/1400	60.41		12.000	RMFP-170/ES010/1200	61.40
	1.500	RMFP-090/ES009/150	6.84		14.000	RMFP-170/ES010/1400	0/R
	16.000	RMFP-090/ES009/1600	0/R		1.500	RMFP-170/ES010/150	10.51
	18.000	RMFP-090/ES009/1800	0/R		16.000	RMFP-170/ES010/1600	0/R
	2.000	RMFP-090/ES009/200	12.48		18.000	RMFP-170/ES010/1800	0/R
	20.000	RMFP-090/ES009/2000	0/R		2.000	RMFP-170/ES010/200	14.88
	2.500	RMFP-090/ES009/250	12.53		20.000	RMFP-170/ES010/2000	0/R
	3.250	RMFP-090/ES009/325	12.64		2.500	RMFP-170/ES010/250	19.31
	4.000	RMFP-090/ES009/400	18.70		3.250	RMFP-170/ES010/325	20.12
	5.000	RMFP-090/ES009/500	23.55		4.000	RMFP-170/ES010/400	24.08
	6.000	RMFP-090/ES009/600	29.34		5.000	RMFP-170/ES010/500	28.85
	7.000	RMFP-090/ES009/700	36.83		6.000	RMFP-170/ES010/600	33.38
	8.000	RMFP-090/ES009/800	45.84		7.000	RMFP-170/ES010/700	37.90
	10.000	RMFP-090/KB001/1000	182.85		8.000	RMFP-170/ES010/800	47.46
	12.000	RMFP-090/KB001/1200	209.53		10.000	RMFP-171/KB001/1000	617.09
	14.000	RMFP-090/KB001/1400	0/R		12.000	RMFP-171/KB001/1200	698.49
	1.500	RMFP-090/KB001/150	64.20		14.000	RMFP-171/KB001/1400	0/R
	16.000	RMFP-090/KB001/1600	0/R		1.500	RMFP-171/KB001/150	101.27
	18.000	RMFP-090/KB001/1800	0/R		16.000	RMFP-171/KB001/1600	0/R
	2.000	RMFP-090/KB001/200	82.27		18.000	RMFP-171/KB001/1800	0/R
	20.000	RMFP-090/KB001/2000	0/R		2.000	RMFP-171/KB001/200	117.32
	2.500	RMFP-090/KB001/250	89.24		20.000	RMFP-171/KB001/2000	0/R
	3.250	RMFP-090/KB001/325	101.15		2.500	RMFP-171/KB001/250	141.02
	4.000	RMFP-090/KB001/400	116.99		3.250	RMFP-171/KB001/325	167.69
	5.000	RMFP-090/KB001/500	124.31		4.000	RMFP-171/KB001/400	231.53
	6.000	RMFP-090/KB001/600	149.72		5.000	RMFP-171/KB001/500	268.94
	7.000	RMFP-090/KB001/700	158.54		6.000	RMFP-171/KB001/600	299.32
	8.000	RMFP-090/KB001/800	163.00		7.000	RMFP-171/KB001/700	421.82
	10.000	RMFP-091/KB001/1000	232.55		8.000	RMFP-171/KB001/800	526.63
	12.000	RMFP-091/KB001/1200	292.68		1.500	RMFP-181/KB001/150	44.73
	14.000	RMFP-091/KB001/1400	0/R		2.000	RMFP-181/KB001/200	46.63

All manufacturer's names, part numbers and descriptions are used for reference purposes only. We do not imply that any part shown is the product of these manufacturers.

Remsa [KITS]

**INDUSTRIAL
SEAL KITS**

**MOBILE
SEAL KITS**

MILLER

Rod	Bore	Ref. Number	\$	Rod	Bore	Ref. Number	\$
	2.500	RMFP-181/KB001/250	48.75		7.000	RMFP-HV2/KB400/700	131.70
	3.250	RMFP-181/KB001/325	54.00		8.000	RMFP-HV2/KB400/800	186.77
	4.000	RMFP-181/KB001/400	58.10	0.625		RMFP-HV2/KR100/063	0/R
	5.000	RMFP-181/KB001/500	68.78	1.000		RMFP-HV2/KR100/100	0/R
	6.000	RMFP-181/KB001/600	79.60	1.375		RMFP-HV2/KR100/138	0/R
	7.000	RMFP-181/KB001/700	80.61	1.750		RMFP-HV2/KR100/175	0/R
	8.000	RMFP-181/KB001/800	114.98	2.000		RMFP-HV2/KR100/200	0/R
	1.500	RMFP-HV2/ES100/150	4.49	2.500		RMFP-HV2/KR100/250	0/R
	2.000	RMFP-HV2/ES100/200	4.74	3.000		RMFP-HV2/KR100/300	0/R
	2.500	RMFP-HV2/ES100/250	4.98	3.500		RMFP-HV2/KR100/350	0/R
	3.250	RMFP-HV2/ES100/325	5.23	4.000		RMFP-HV2/KR100/400	0/R
	4.000	RMFP-HV2/ES100/400	5.43	3.000		RMFP-HV2/KR108/300	0/R
	5.000	RMFP-HV2/ES100/500	6.29	3.500		RMFP-HV2/KR108/350	0/R
	6.000	RMFP-HV2/ES100/600	7.47	4.000		RMFP-HV2/KR108/400	0/R
	7.000	RMFP-HV2/ES100/700	8.86	5.000		RMFP-HV2/KR108/500	0/R
	8.000	RMFP-HV2/ES100/800	9.92	5.500		RMFP-HV2/KR108/550	0/R
	1.500	RMFP-HV2/ES200/150	7.10	0.625		RMFP-HV2/KR200/063	0/R
	2.000	RMFP-HV2/ES200/200	10.53	1.000		RMFP-HV2/KR200/100	0/R
	2.500	RMFP-HV2/ES200/250	13.23	1.375		RMFP-HV2/KR200/138	0/R
	3.250	RMFP-HV2/ES200/325	15.96	1.750		RMFP-HV2/KR200/175	0/R
	4.000	RMFP-HV2/ES200/400	19.96	2.000		RMFP-HV2/KR200/200	0/R
	5.000	RMFP-HV2/ES200/500	28.82	2.500		RMFP-HV2/KR200/250	0/R
	6.000	RMFP-HV2/ES200/600	30.13	3.000		RMFP-HV2/KR200/300	0/R
	7.000	RMFP-HV2/ES200/700	44.87	3.500		RMFP-HV2/KR200/350	0/R
	8.000	RMFP-HV2/ES200/800	45.64	4.000		RMFP-HV2/KR200/400	0/R
	1.500	RMFP-HV2/KB100/150	7.19	3.000		RMFP-HV2/KR208/300	0/R
	2.000	RMFP-HV2/KB100/200	8.45	3.500		RMFP-HV2/KR208/350	0/R
	2.500	RMFP-HV2/KB100/250	9.76	4.000		RMFP-HV2/KR208/400	0/R
	3.250	RMFP-HV2/KB100/325	12.13	5.000		RMFP-HV2/KR208/500	0/R
	4.000	RMFP-HV2/KB100/400	15.92	5.500		RMFP-HV2/KR208/550	0/R
	5.000	RMFP-HV2/KB100/500	18.58	0.625		RMFP-HV2/KR300/063	20.70
	6.000	RMFP-HV2/KB100/600	24.17	1.000		RMFP-HV2/KR300/100	21.64
	7.000	RMFP-HV2/KB100/700	364.36	1.375		RMFP-HV2/KR300/138	22.17
	8.000	RMFP-HV2/KB100/800	393.14	1.750		RMFP-HV2/KR300/175	26.41
	1.500	RMFP-HV2/KB200/150	32.58	2.000		RMFP-HV2/KR300/200	30.78
	2.000	RMFP-HV2/KB200/200	37.19	2.500		RMFP-HV2/KR300/250	33.07
	2.500	RMFP-HV2/KB200/250	52.17	3.000		RMFP-HV2/KR300/300	43.56
	3.250	RMFP-HV2/KB200/325	60.87	3.500		RMFP-HV2/KR300/350	48.79
	4.000	RMFP-HV2/KB200/400	65.61	4.000		RMFP-HV2/KR300/400	57.60
	5.000	RMFP-HV2/KB200/500	83.24	3.000		RMFP-HV2/KR308/300	43.56
	6.000	RMFP-HV2/KB200/600	110.64	3.500		RMFP-HV2/KR308/350	48.79
	7.000	RMFP-HV2/KB200/700	395.59	4.000		RMFP-HV2/KR308/400	57.60
	8.000	RMFP-HV2/KB200/800	239.81	5.000		RMFP-HV2/KR308/500	68.75
	1.500	RMFP-HV2/KB300/150	29.88	5.500		RMFP-HV2/KR308/550	72.79
	2.000	RMFP-HV2/KB300/200	31.88	0.625		RMFP-HV2/KR400/063	28.50
	2.500	RMFP-HV2/KB300/250	32.25	1.000		RMFP-HV2/KR400/100	30.21
	3.250	RMFP-HV2/KB300/325	34.86	1.375		RMFP-HV2/KR400/138	31.35
	4.000	RMFP-HV2/KB300/400	35.89	1.750		RMFP-HV2/KR400/175	33.11
	5.000	RMFP-HV2/KB300/500	47.28	2.000		RMFP-HV2/KR400/200	35.60
	6.000	RMFP-HV2/KB300/600	71.08	2.500		RMFP-HV2/KR400/250	41.97
	7.000	RMFP-HV2/KB300/700	114.51	3.000		RMFP-HV2/KR400/300	49.15
	8.000	RMFP-HV2/KB300/800	162.40	3.500		RMFP-HV2/KR400/350	63.52
	1.500	RMFP-HV2/KB400/150	34.62	4.000		RMFP-HV2/KR400/400	91.98
	2.000	RMFP-HV2/KB400/200	35.89	3.000		RMFP-HV2/KR408/300	49.15
	2.500	RMFP-HV2/KB400/250	36.38	3.500		RMFP-HV2/KR408/350	63.52
	3.250	RMFP-HV2/KB400/325	43.36	4.000		RMFP-HV2/KR408/400	91.98
	4.000	RMFP-HV2/KB400/400	44.17	5.000		RMFP-HV2/KR408/500	145.09
	5.000	RMFP-HV2/KB400/500	62.63	5.500		RMFP-HV2/KR408/550	180.61
	6.000	RMFP-HV2/KB400/600	75.81	1.000		RMFP-JV/ES100/100	4.41

All manufacturer's names, part numbers and descriptions are used for reference purposes only. We do not imply that any part shown is the product of these manufacturers.

Remsa [KITS]

**INDUSTRIAL
SEAL KITS**

**MOBILE
SEAL KITS**

MILLER

Rod	Bore	Ref. Number	\$	Rod	Bore	Ref. Number	\$
	1.500	RMFP-JV/ES100/150	4.49	2.500		RMFP-JV/KR100/250	0/R
	2.000	RMFP-JV/ES100/200	4.74	3.000		RMFP-JV/KR100/300	0/R
	2.500	RMFP-JV/ES100/250	4.98	3.500		RMFP-JV/KR100/350	0/R
	3.250	RMFP-JV/ES100/325	5.23	4.000		RMFP-JV/KR100/400	0/R
	4.000	RMFP-JV/ES100/400	5.43	4.500		RMFP-JV/KR100/450	0/R
	5.000	RMFP-JV/ES100/500	6.29	5.000		RMFP-JV/KR100/500	0/R
	6.000	RMFP-JV/ES100/600	7.47	5.500		RMFP-JV/KR100/550	0/R
	8.000	RMFP-JV/ES100/800	9.10	0.500		RMFP-JV/KR200/050	0/R
	1.000	RMFP-JV/ES200/100	6.16	0.625		RMFP-JV/KR200/063	0/R
	1.500	RMFP-JV/ES200/150	7.10	1.000		RMFP-JV/KR200/100	0/R
	2.000	RMFP-JV/ES200/200	10.53	1.375		RMFP-JV/KR200/138	0/R
	2.500	RMFP-JV/ES200/250	13.23	1.750		RMFP-JV/KR200/175	0/R
	3.250	RMFP-JV/ES200/325	15.96	2.000		RMFP-JV/KR200/200	0/R
	4.000	RMFP-JV/ES200/400	19.96	2.500		RMFP-JV/KR200/250	0/R
	5.000	RMFP-JV/ES200/500	28.82	3.000		RMFP-JV/KR200/300	0/R
	6.000	RMFP-JV/ES200/600	30.13	3.500		RMFP-JV/KR200/350	0/R
	8.000	RMFP-JV/ES200/800	52.17	4.000		RMFP-JV/KR200/400	0/R
	1.000	RMFP-JV/KB100/100	6.08	4.500		RMFP-JV/KR200/450	0/R
	1.500	RMFP-JV/KB100/150	7.19	5.000		RMFP-JV/KR200/500	0/R
	2.000	RMFP-JV/KB100/200	8.45	5.500		RMFP-JV/KR200/550	0/R
	2.500	RMFP-JV/KB100/250	9.76	0.500		RMFP-JV/KR300/050	19.56
	3.250	RMFP-JV/KB100/325	12.13	0.625		RMFP-JV/KR300/063	19.88
	4.000	RMFP-JV/KB100/400	15.92	1.000		RMFP-JV/KR300/100	20.82
	5.000	RMFP-JV/KB100/500	18.58	1.375		RMFP-JV/KR300/138	21.35
	6.000	RMFP-JV/KB100/600	24.17	1.750		RMFP-JV/KR300/175	25.60
	8.000	RMFP-JV/KB100/800	70.06	2.000		RMFP-JV/KR300/200	29.97
	1.000	RMFP-JV/KB200/100	23.11	2.500		RMFP-JV/KR300/250	32.25
	1.500	RMFP-JV/KB200/150	32.58	3.000		RMFP-JV/KR300/300	42.74
	2.000	RMFP-JV/KB200/200	37.19	3.500		RMFP-JV/KR300/350	47.97
	2.500	RMFP-JV/KB200/250	52.17	4.000		RMFP-JV/KR300/400	56.79
	3.250	RMFP-JV/KB200/325	60.87	4.500		RMFP-JV/KR300/450	61.12
	4.000	RMFP-JV/KB200/400	65.61	5.000		RMFP-JV/KR300/500	67.93
	5.000	RMFP-JV/KB200/500	83.24	5.500		RMFP-JV/KR300/550	71.97
	6.000	RMFP-JV/KB200/600	110.64	0.500		RMFP-JV/KR400/050	25.11
	8.000	RMFP-JV/KB200/800	239.81	0.625		RMFP-JV/KR400/063	28.50
	1.000	RMFP-JV/KB300/100	53.44	1.000		RMFP-JV/KR400/100	28.58
	1.500	RMFP-JV/KB300/150	29.88	1.375		RMFP-JV/KR400/138	29.72
	2.000	RMFP-JV/KB300/200	31.88	1.750		RMFP-JV/KR400/175	31.48
	2.500	RMFP-JV/KB300/250	32.25	2.000		RMFP-JV/KR400/200	33.97
	3.250	RMFP-JV/KB300/325	34.86	2.500		RMFP-JV/KR400/250	40.34
	4.000	RMFP-JV/KB300/400	35.89	3.000		RMFP-JV/KR400/300	47.52
	5.000	RMFP-JV/KB300/500	47.28	3.500		RMFP-JV/KR400/350	61.89
	6.000	RMFP-JV/KB300/600	71.08	4.000		RMFP-JV/KR400/400	90.35
	8.000	RMFP-JV/KB300/800	121.37	4.500		RMFP-JV/KR400/450	111.13
	1.000	RMFP-JV/KB400/100	54.30	5.000		RMFP-JV/KR400/500	143.46
	1.500	RMFP-JV/KB400/150	34.62	5.500		RMFP-JV/KR400/550	178.98
	2.000	RMFP-JV/KB400/200	35.89			RMFP-SH1/STRIP	5.79
	2.500	RMFP-JV/KB400/250	36.38				
	3.250	RMFP-JV/KB400/325	43.36				
	4.000	RMFP-JV/KB400/400	44.17				
	5.000	RMFP-JV/KB400/500	62.63				
	6.000	RMFP-JV/KB400/600	75.81				
	8.000	RMFP-JV/KB400/800	129.50				
0.500		RMFP-JV/KR100/050	0/R				
0.625		RMFP-JV/KR100/063	0/R				
1.000		RMFP-JV/KR100/100	0/R				
1.375		RMFP-JV/KR100/138	0/R				
1.750		RMFP-JV/KR100/175	0/R				
2.000		RMFP-JV/KR100/200	0/R				

All manufacturer's names, part numbers and descriptions are used for reference purposes only. We do not imply that any part shown is the product of these manufacturers.

Remsa [KITS]

**INDUSTRIAL
SEAL KITS**

**MOBILE
SEAL KITS**

MILLER



All manufacturer's names, part numbers and descriptions are used for reference purposes only. We do not imply that any part shown is the product of these manufacturers.

PARKER

CYLINDERS PRODUCT RANGE

INDUSTRIAL
SEAL KITS

MOBILE
SEAL KITS

Cylinder Type	Duty	Series	Pressure rating	Specification	
AIR CYLINDERS	LIGHT DUTY	MP	150 PSI/10 BAR	ISO - METRIC NFPA - INDUSTRIAL	
		MA	200 PSI/13 BAR		
		LP	250 PSI/17 BAR	NFPA	
		LPM	250 PSI/17 BAR		
		2MA	250 PSI/17 BAR		
	HEAVY DUTY	2A	250 PSI/17 BAR	NFPA	
2AN	250 PSI/17 BAR	NFPA - NON-LUBE			
HYDRAULIC CYLINDERS	MEDIUM DUTY	3L	1000 PSI/70 BAR	NFPA	
		HEAVY DUTY	2H	3000 PSI/200 BAR	NFPA
			3H	3000 PSI/200 BAR	ISO NFPA - AUTOMOTIVE NFPA
	NFPA	HMI	3000 PSI/200 BAR		
		HD	3000 PSI/200 BAR		
		VH	3000 PSI/200 BAR		

INDEX

Cylinder Type	Duty	Series	Page
AIR CYLINDERS	LIGHT DUTY	MP	KITS 76
		MA	KITS 78
		LP/LPM	KITS 80
		2MA	KITS 82
	HEAVY DUTY	2A	KITS 84
		2AN	KITS 86
HYDRAULIC CYLINDERS	MEDIUM DUTY	3L	KITS 88
	HEAVY DUTY	2H/VH	KITS 92
		3H	KITS 96
		HMI	KITS 100
		HD	KITS 102

PARKER

All manufacturer's names, part numbers and descriptions are used for reference purposes only. We do not imply that any part shown is the product of these manufacturers.

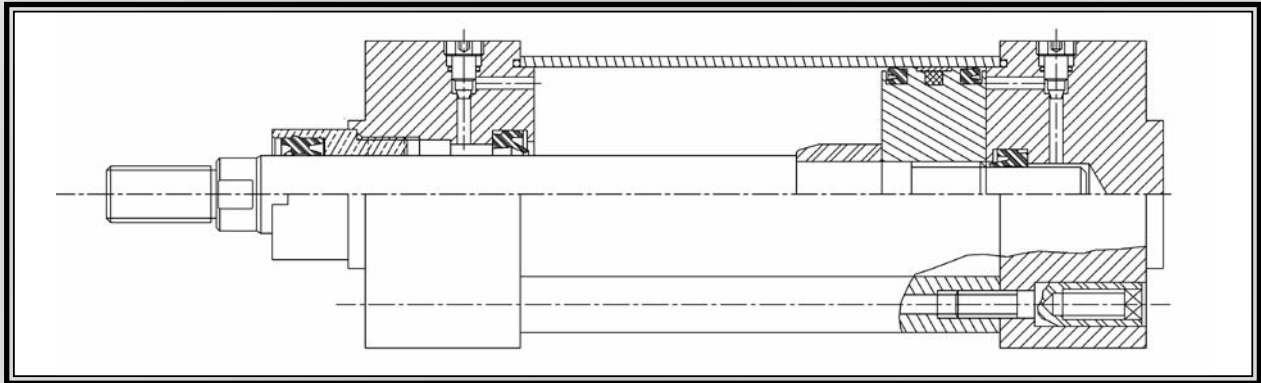
Remsa [KITS]

CYLINDERS

PARKER

AIR CYLINDER - LIGHT DUTY

SERIES - "MP"

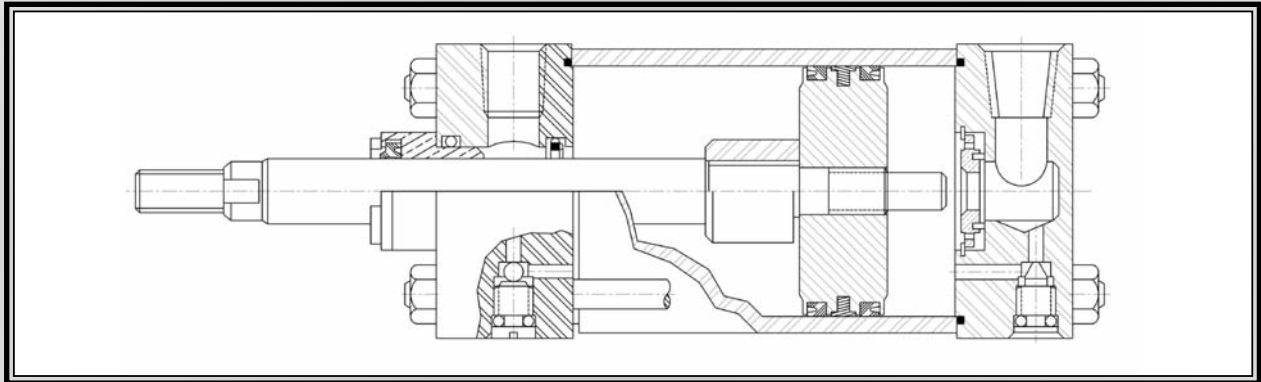


Temperature: **NBR -40/250F [-40/121C]**
FPM -5/400F [-21/204C]

Pressure: **150 PSI [10 BAR]**

AIR CYLINDER - LIGHT DUTY

SERIES - "MA"

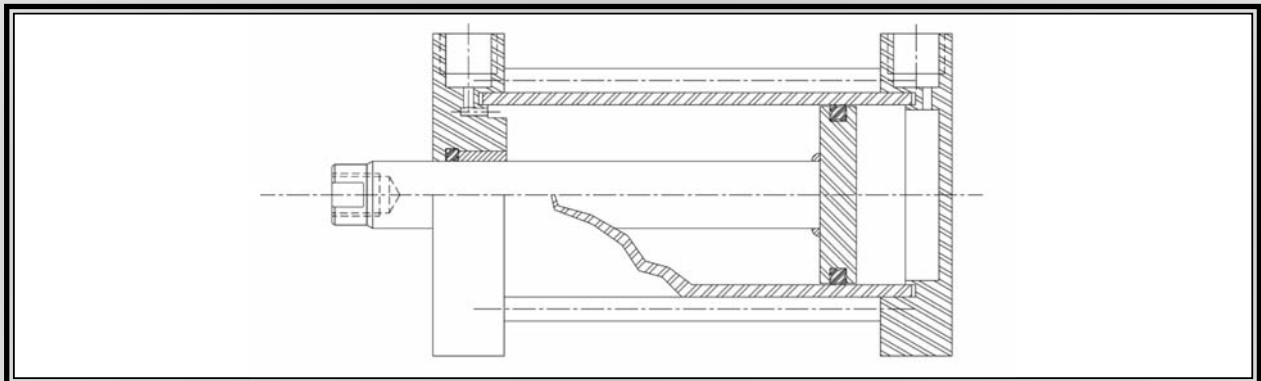


Temperature: **NBR -40/250F [-40/121C]**
FPM -5/400F [-21/204C]

Pressure: **200 PSI [13 BAR]**

AIR CYLINDER - LIGHT DUTY

SERIES - "LP/LPM"



Temperature: **NBR -40/250F [-40/121C]**
FPM -5/400F [-21/204C]

Pressure: **250 PSI [17 BAR]**

All manufacturer's names, part numbers and descriptions are used for reference purposes only. We do not imply that any part shown is the product of these manufacturers.

INDUSTRIAL
SEAL KITS

MOBILE
SEAL KITS

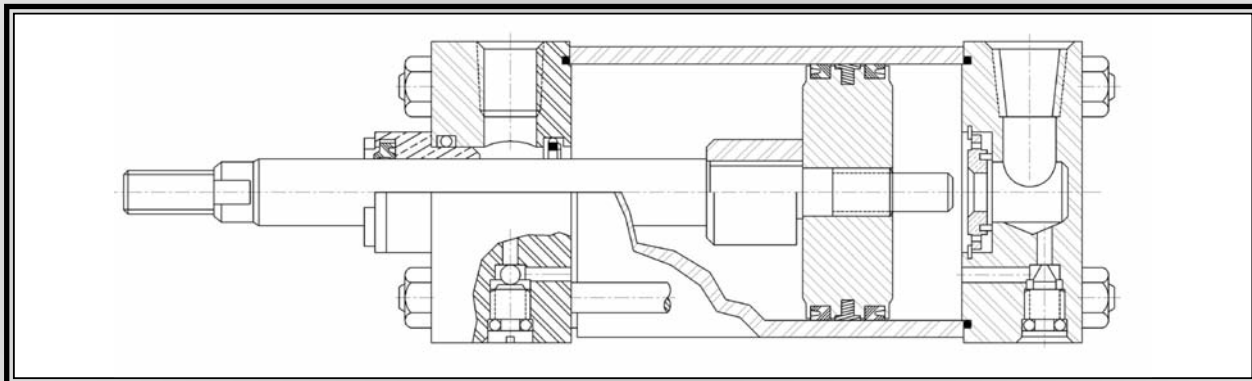
PARKER

PARKER

CYLINDERS

AIR CYLINDER - LIGHT DUTY

SERIES - "2MA"

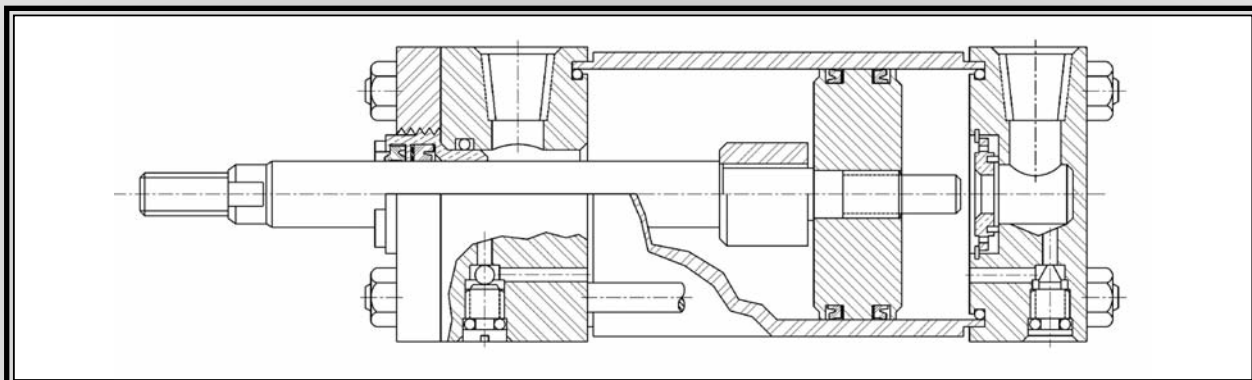


**Temperature: NBR -40/250F [-40/121C]
FPM -5/400F [-21/204C]**

Pressure: 250 PSI [17 BAR]

AIR CYLINDER - HEAVY DUTY

SERIES - "2A"

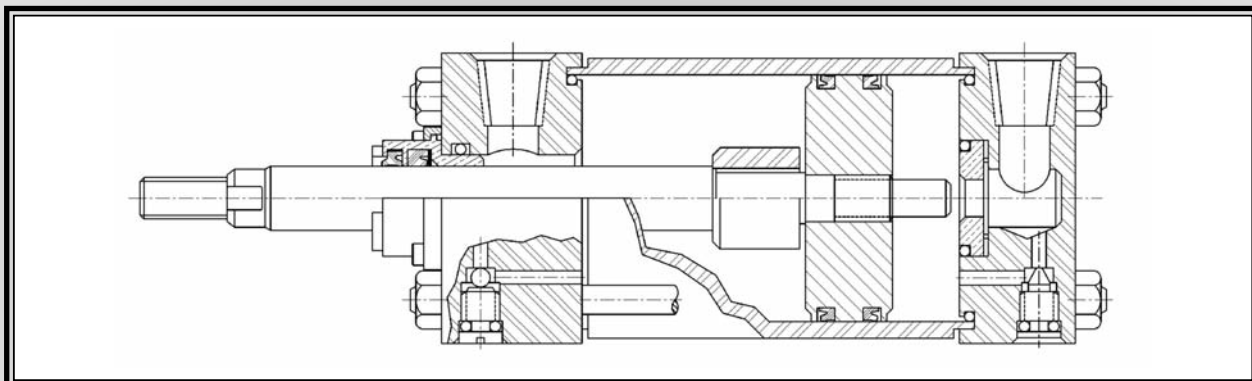


**Temperature: NBR -40/250F [-40/121C]
FPM -5/400F [-21/204C]**

Pressure: 150 PSI [10 BAR]

AIR CYLINDER - HEAVY DUTY

SERIES - "2AN"



Temperature: NBR -40/250F [-40/121C]

Pressure: 250 PSI [17 BAR]

**INDUSTRIAL
SEAL KITS**

**MOBILE
SEAL KITS**

PARKER

All manufacturer's names, part numbers and descriptions are used for reference purposes only. We do not imply that any part shown is the product of these manufacturers.

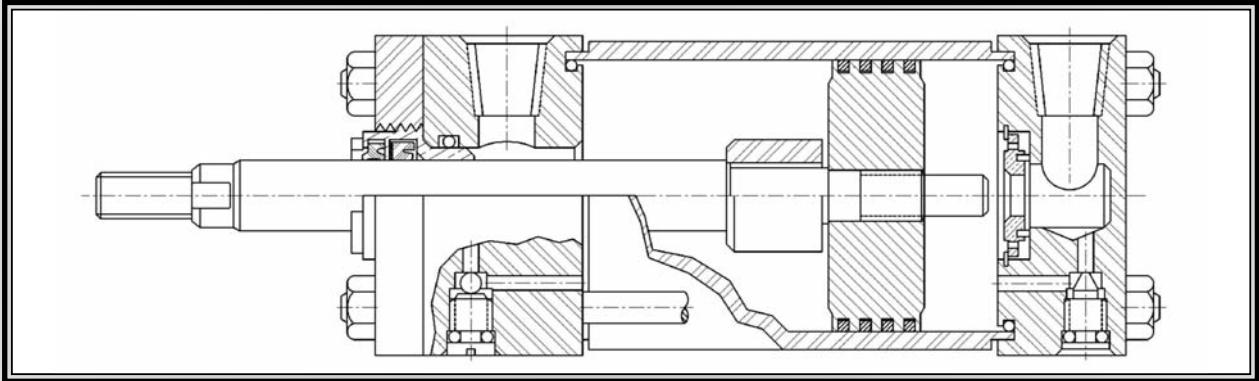
Remsa [KITS]

CYLINDERS

PARKER

HYDRAULIC CYLINDER - MEDIUM DUTY

SERIES - "3L"

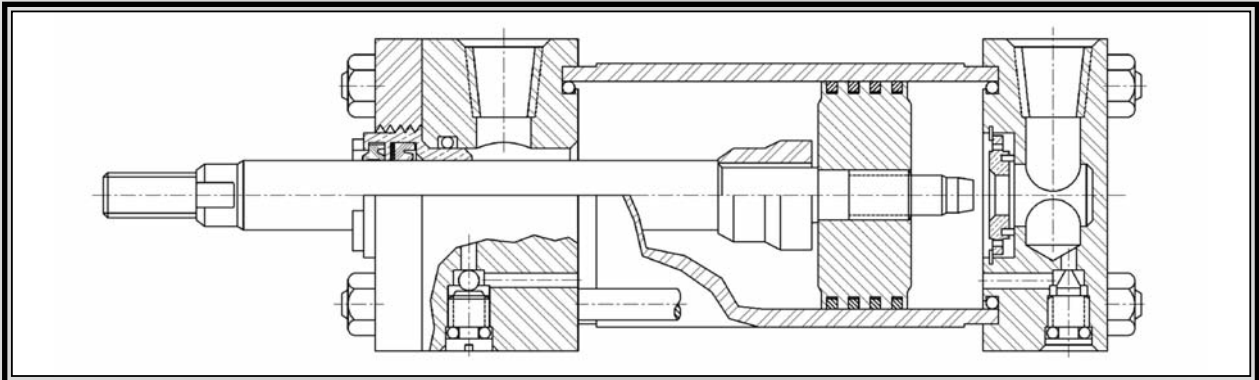


Temperature: NBR -40/250F [-40/121C]
FPM -5/400F [-21/204C]

Pressure: 1000 PSI [70 BAR]

HYDRAULIC CYLINDER - HEAVY DUTY

SERIES - "2H/VH"

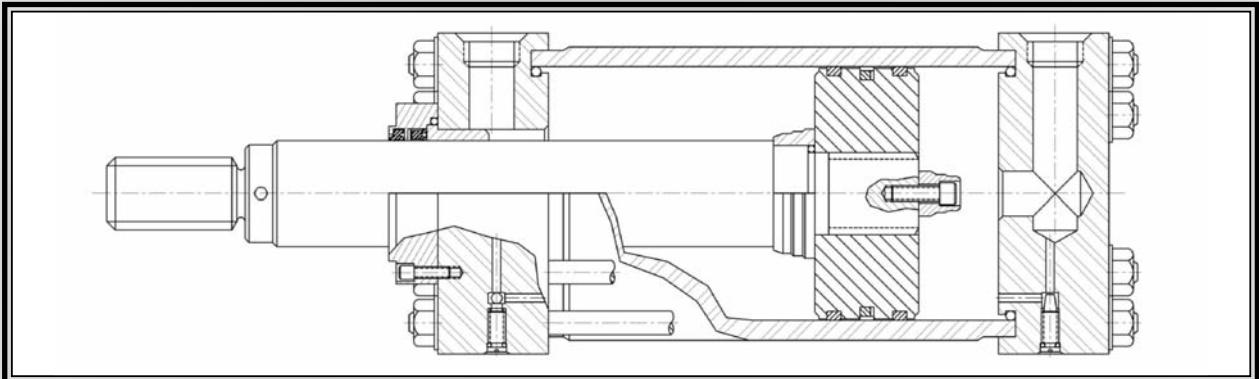


Temperature: NBR -40/250F [-40/121C]
FPM -5/400F [-21/204C]

Pressure: 3000 PSI [200 BAR]

HYDRAULIC CYLINDER - HEAVY DUTY

SERIES - "3H"



Temperature: NBR -40/250F [-40/121C]
FPM -5/400F [-21/204C]

Pressure: 3000 PSI [200 BAR]

All manufacturer's names, part numbers and descriptions are used for reference purposes only. We do not imply that any part shown is the product of these manufacturers.

INDUSTRIAL
SEAL KITS

MOBILE
SEAL KITS

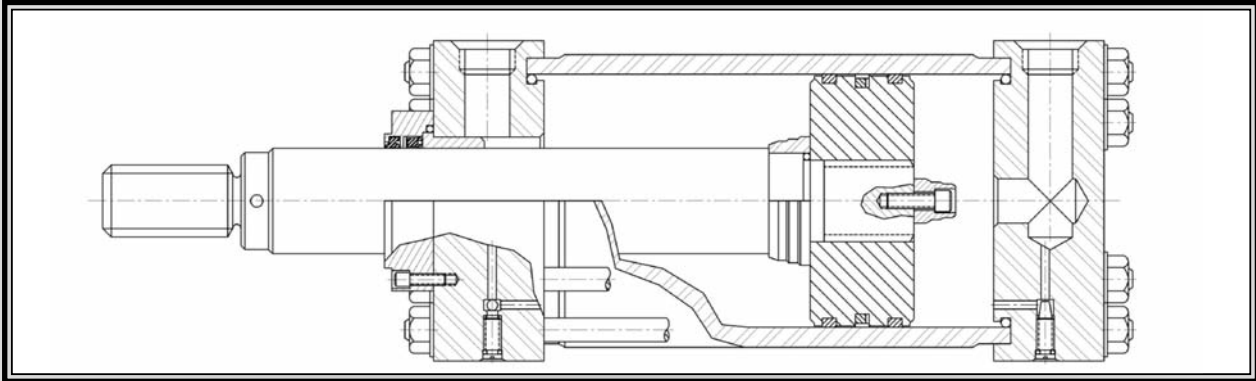
PARKER

PARKER

CYLINDERS

HYDRAULIC CYLINDER - HEAVY DUTY

SERIES - "HMI"

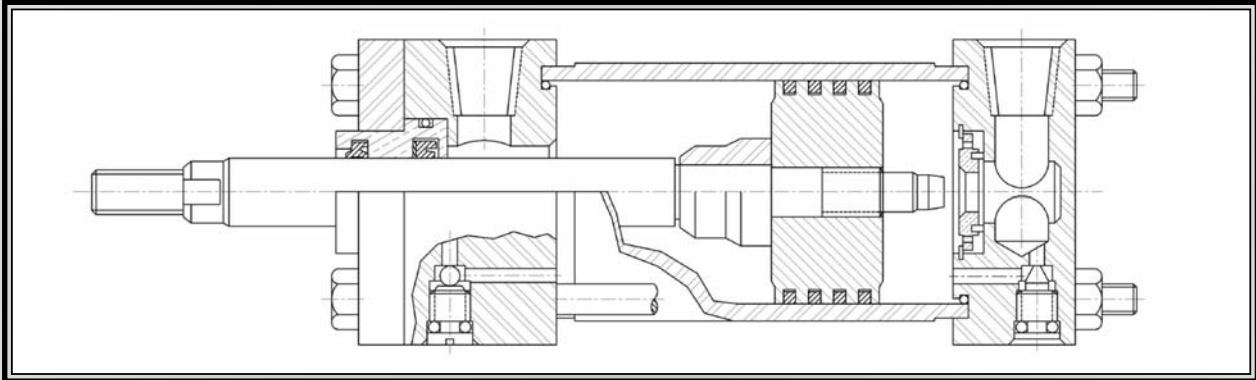


**Temperature: NBR -40/250F [-40/121C]
FPM -5/400F [-21/204C]**

Pressure: 3000 PSI [200 BAR]

HYDRAULIC CYLINDER - HEAVY DUTY

SERIES - "HD"



**Temperature: NBR -40/250F [-40/121C]
FPM -5/400F [-21/204C]**

Pressure: 3000 PSI [200 BAR]

**INDUSTRIAL
SEAL KITS**

**MOBILE
SEAL KITS**

PARKER

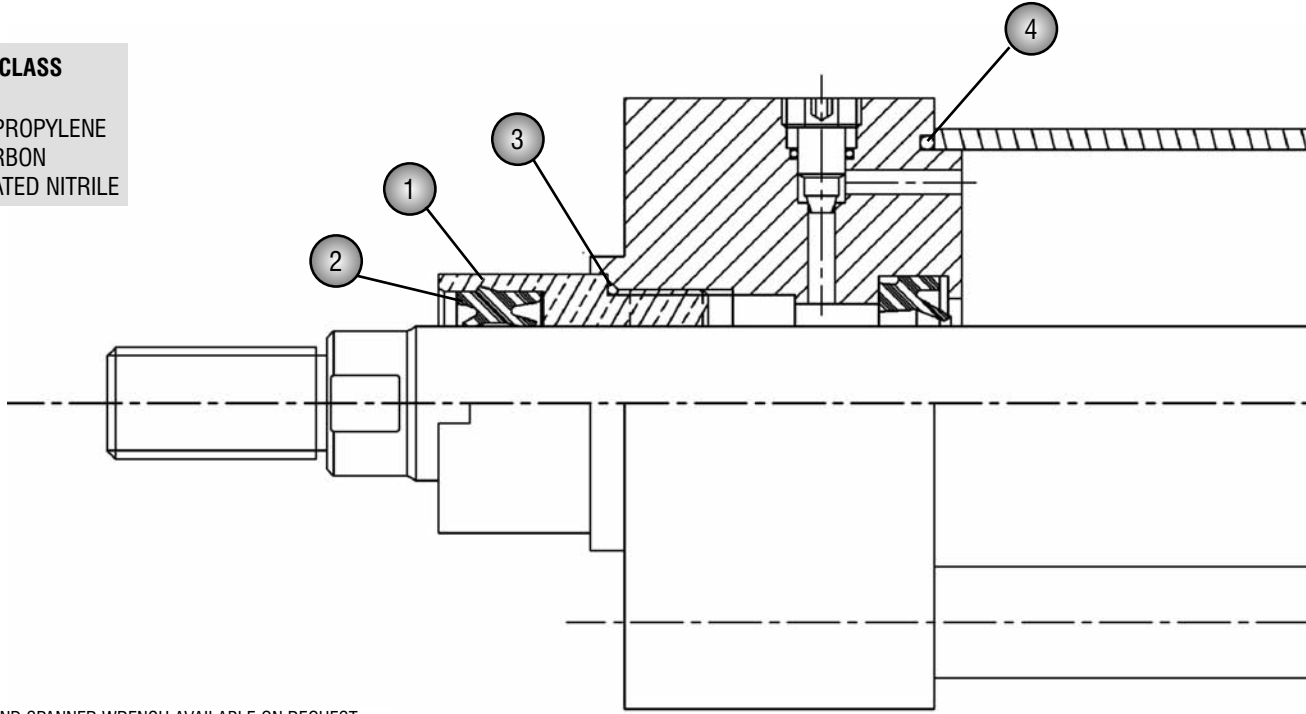
All manufacturer's names, part numbers and descriptions are used for reference purposes only. We do not imply that any part shown is the product of these manufacturers.

MP SERIES

AIR CYLINDER LIGHT DUTY

SERVICE CLASS

- 1- NITRILE
- 3- ETHYLENE PROPYLENE
- 5- FLUOROCARBON
- 6- CARBOXYLATED NITRILE



* GLAND WRENCH AND SPANNER WRENCH AVAILABLE ON REQUEST

GLAND CARTRIDGE KIT - Service Class 1 (1-2-3)*

Rod	Bore	Ref. Number	\$
12.00		RPH-RGOMP00121	37.11
16.00		RPH-RGOMP00161	42.25
20.00		RPH-RGOMP00201	57.77
25.00		RPH-RGOMP00251	109.86
32.00		RPH-RGOMP00321	114.55
40.00		RPH-RGOMP00401	131.46

ROD SEAL KIT - Service Class 1 (2-3)*

Rod	Bore	Ref. Number	\$
12.00		RPH-RKOMP00121	20.21
16.00		RPH-RKOMP00161	21.60
20.00		RPH-RKOMP00201	23.47
25.00		RPH-RKOMP00251	65.73
32.00		RPH-RKOMP00321	71.85
40.00		RPH-RKOMP00401	78.10

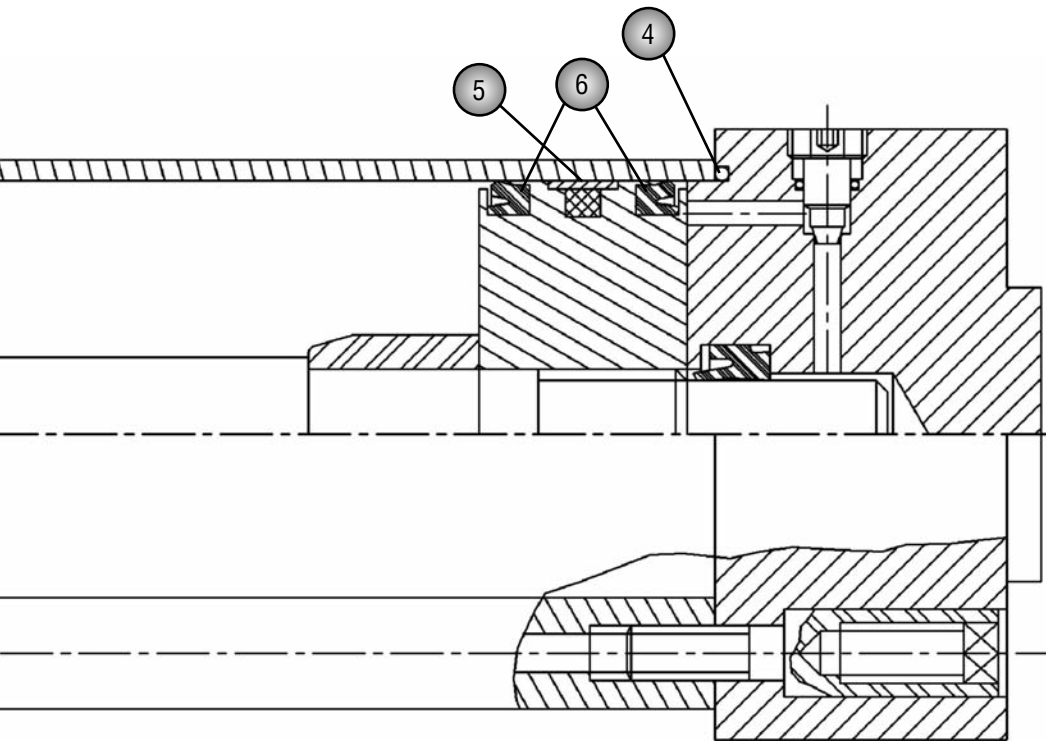
GLAND CARTRIDGE KIT - Service Class 5 (1-2-3)*

Rod	Bore	Ref. Number	\$
12.00		RPH-RGOMP00125	71.36
16.00		RPH-RGOMP00165	79.36
20.00		RPH-RGOMP00205	95.78
25.00		RPH-RGOMP00255	145.54
32.00		RPH-RGOMP00325	157.01
40.00		RPH-RGOMP00405	186.86

ROD SEAL KIT - Service Class 5 (2-3)*

Rod	Bore	Ref. Number	\$
12.00		RPH-RKOMP00125	27.72
16.00		RPH-RKOMP00165	28.66
20.00		RPH-RKOMP00205	36.17
25.00		RPH-RKOMP00255	91.57
32.00		RPH-RKOMP00325	92.02
40.00		RPH-RKOMP00405	117.37

All manufacturer's names, part numbers and descriptions are used for reference purposes only. We do not imply that any part shown is the product of these manufacturers.



COMPONENTS

- 1-GLAND CARTRIDGE
- 2-ROD SEAL / WIPER
- 3-O'RING
- 4-BODY END - O'RING
- 5-GUIDING ELEMENT
- 6-PISTON SEAL

** MAGNETIC RING AVAILABLE ON REQUEST

PISTON SEAL KIT - Service Class 1 (4-5-6)**

Rod	Bore	Ref. Number	\$
	32.00	RPH-PK032MP001	26.29
	40.00	RPH-PK040MP001	26.78
	50.00	RPH-PK050MP001	27.72
	63.00	RPH-PK063MP001	29.11
	80.00	RPH-PK080MP001	34.74
	100.00	RPH-PK100MP001	46.01
	125.00	RPH-PK125MP001	55.89
	160.00	RPH-PK160MP001	62.91
	200.00	RPH-PK200MP001	76.55

CYLINDER BODY END KIT - Service Class 1 (4)

Rod	Bore	Ref. Number	\$
	32.00	RPH-CB032MP001	5.51
	40.00	RPH-CB040MP001	5.63
	50.00	RPH-CB050MP001	5.76
	63.00	RPH-CB063MP001	6.33
	80.00	RPH-CB080MP001	6.94
	100.00	RPH-CB100MP001	7.55
	125.00	RPH-CB125MP001	8.98
	160.00	RPH-CB160MP001	12.04
	200.00	RPH-CB200MP001	14.90

PISTON SEAL KIT - Service Class 5 (4-5-6)**

Rod	Bore	Ref. Number	\$
	32.00	RPH-PK032MP005	52.58
	40.00	RPH-PK040MP005	62.46
	50.00	RPH-PK050MP005	70.42
	63.00	RPH-PK063MP005	81.69
	80.00	RPH-PK080MP005	106.96
	100.00	RPH-PK100MP005	116.43
	125.00	RPH-PK125MP005	144.60
	160.00	RPH-PK160MP005	171.83
	200.00	RPH-PK200MP005	246.95

CYLINDER BODY END KIT - Service Class 5 (4)

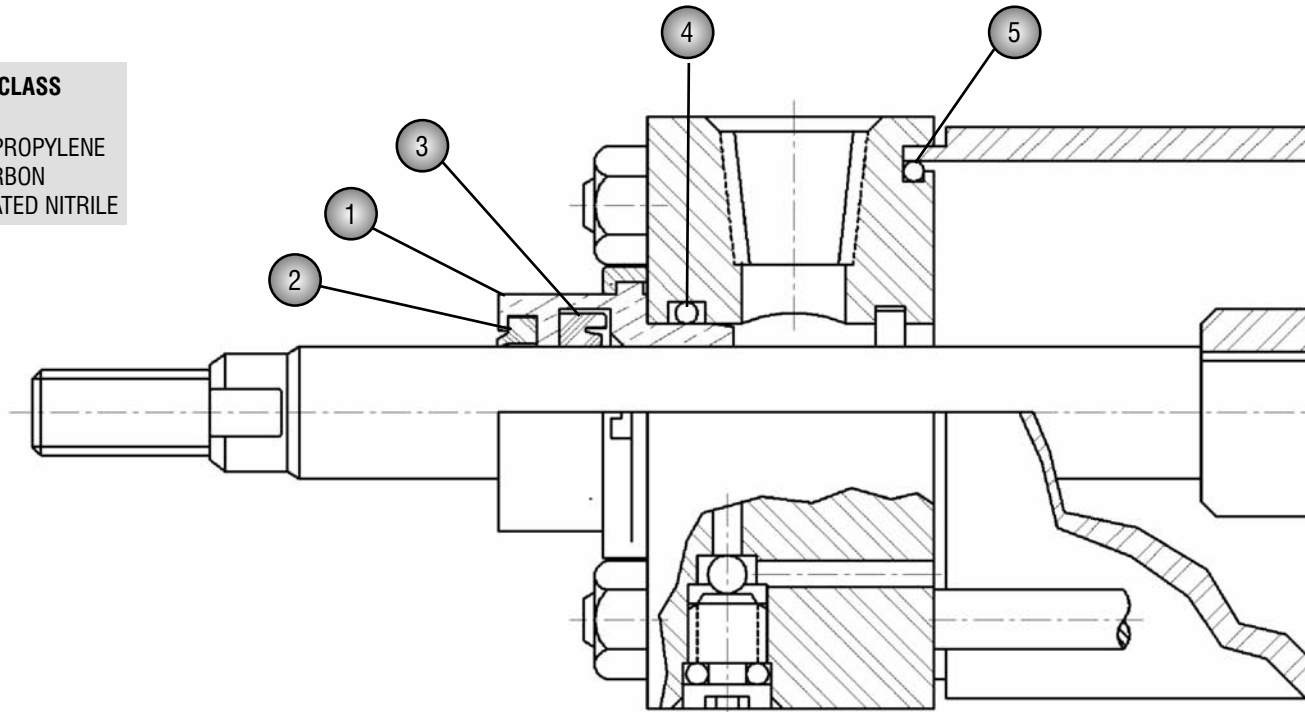
Rod	Bore	Ref. Number	\$
	32.00	RPH-CB032MP005	6.33
	40.00	RPH-CB040MP005	6.57
	50.00	RPH-CB050MP005	7.14
	63.00	RPH-CB063MP005	7.55
	80.00	RPH-CB080MP005	8.78
	100.00	RPH-CB100MP005	9.59
	125.00	RPH-CB125MP005	15.11
	160.00	RPH-CB160MP005	15.92
	200.00	RPH-CB200MP005	22.25

All manufacturer's names, part numbers and descriptions are used for reference purposes only. We do not imply that any part shown is the product of these manufacturers.

MA AIR CYLINDER LIGHT DUTY SERIES

SERVICE CLASS

- 1- NITRILE
- 3- ETHYLENE PROPYLENE
- 5- FLUOROCARBON
- 6- CARBOXYLATED NITRILE



* FOR NONCUSHIONS CYLINDERS

GLAND CARTRIDGE KIT - Service Class 1 (1-2-3-4)

Rod	Bore	Ref. Number	\$
0.625"		RPH-RGL6948MA1	40.11
1.000"		RPH-RGL6949MA1	33.65
1.375"		RPH-RGL6950MA1	39.29

COMPLETE SEAL KIT - Service Class 1 (2-3-4-5-6-7)*

Rod	Bore	Ref. Number	\$
0.625"	1.500"	RPH-SKL7000MA1	17.53
0.625"	2.000"	RPH-SKL7001MA1	17.68
1.000"	2.000"	RPH-SKL7002MA1	17.97
0.625"	2.500"	RPH-SKL7003MA1	23.31
1.000"	2.500"	RPH-SKL7004MA1	19.41
1.000"	3.250"	RPH-SKL7005MA1	20.17
1.375"	3.250"	RPH-SKL7006MA1	22.85
1.000"	4.000"	RPH-SKL7007MA1	23.31
1.375"	4.000"	RPH-SKL7008MA1	25.15
1.000"	5.000"	RPH-SKL7009MA1	28.79
1.375"	5.000"	RPH-SKL7010MA1	31.49
1.375"	6.000"	RPH-SKL7098MA1	33.92

GLAND CARTRIDGE KIT - Service Class 5 (1-2-3-4)

Rod	Bore	Ref. Number	\$
0.625"		RPH-RGL6948MA5	45.49
1.000"		RPH-RGL6949MA5	43.38
1.375"		RPH-RGL6950MA5	53.59

COMPLETE SEAL KIT - Service Class 5 (2-3-4-5-6-7)*

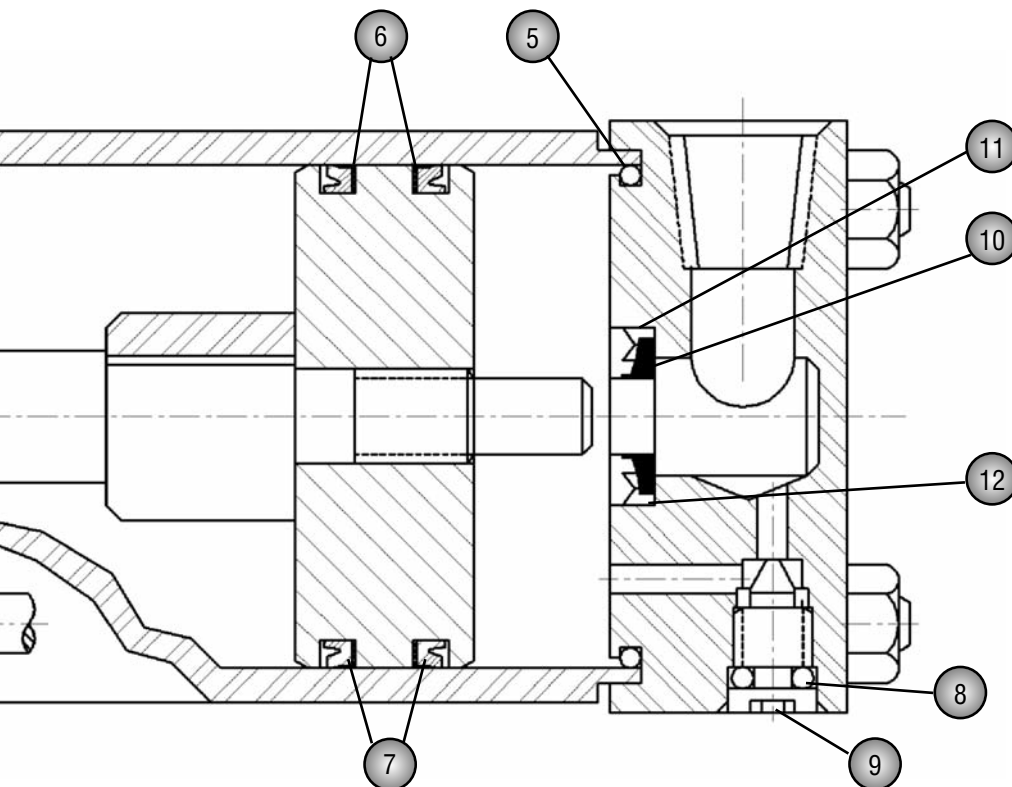
Rod	Bore	Ref. Number	\$
0.625"	1.500"	RPH-SKL7000MA5	49.32
0.625"	2.000"	RPH-SKL7001MA5	51.58
1.000"	2.000"	RPH-SKL7002MA5	53.86
0.625"	2.500"	RPH-SKL7003MA5	63.05
1.000"	2.500"	RPH-SKL7004MA5	65.33
1.000"	3.250"	RPH-SKL7005MA5	69.12
1.375"	3.250"	RPH-SKL7006MA5	78.86
1.000"	4.000"	RPH-SKL7007MA5	81.98
1.375"	4.000"	RPH-SKL7008MA5	91.78
1.000"	5.000"	RPH-SKL7009MA5	99.93
1.375"	5.000"	RPH-SKL7010MA5	109.74
1.375"	6.000"	RPH-SKL7098MA5	135.41

All manufacturer's names, part numbers and descriptions are used for reference purposes only. We do not imply that any part shown is the product of these manufacturers.

INDUSTRIAL
SEAL KITS

MOBILE
SEAL KITS

PARKER



COMPONENTS

- 1-GLAND CARTRIDGE
- 2-ROD WIPER
- 3-ROD SEAL
- 4-O'RING
- 5-BODY END - O'RING
- 6-BACK-UP RING
- 7-PISTON LIP SEAL
- 8-O'RING, CUSH. ADJ.
- 9-NEEDLE, CUSH. ADJ.
- 10-CHECK SEAL, CAP END
- 11-RETAINING RING
- 12-WASHER, SEAL

HEAD END CUSHION KIT - Service Class 1 (8-9-10)

Rod	Bore	Ref. Number	\$
0.625"	1.500"	RPH-CHL7011MA1	0/R
0.625"	2.000"	RPH-CHL7012MA1	0/R
1.000"	2.000"	RPH-CHL7013MA1	0/R
0.625"	2.500"	RPH-CHL7012MA1	0/R
1.000"	2.500"	RPH-CHL7013MA1	0/R
1.000"	3.250"	RPH-CHL7014MA1	0/R
1.375"	3.250"	RPH-CHL7015MA1	0/R
1.000"	4.000"	RPH-CHL7014MA1	0/R
1.375"	4.000"	RPH-CHL7015MA1	0/R
1.000"	5.000"	RPH-CHL7014MA1	0/R
1.375"	5.000"	RPH-CHL7015MA1	0/R
1.375"	6.000"	RPH-CHL7170MA1	0/R

CAP END CUSHION KIT - Service Class 5 (8-9-10-11-12)

Rod	Bore	Ref. Number	\$
0.625"	1.500"	RPH-CCL7016MA1	0/R
0.625"	2.000"	RPH-CCL7016MA1	0/R
1.000"	2.000"	RPH-CCL7016MA1	0/R
0.625"	2.500"	RPH-CCL7016MA1	0/R
1.000"	2.500"	RPH-CCL7016MA1	0/R
1.000"	3.250"	RPH-CCL7017MA1	0/R
1.375"	3.250"	RPH-CCL7017MA1	0/R
1.000"	4.000"	RPH-CCL7017MA1	0/R
1.375"	4.000"	RPH-CCL7017MA1	0/R
1.000"	5.000"	RPH-CCL7017MA1	0/R
1.375"	5.000"	RPH-CCL7017MA1	0/R
1.375"	6.000"	RPH-CCL7017MA1	0/R

All manufacturer's names, part numbers and descriptions are used for reference purposes only. We do not imply that any part shown is the product of these manufacturers.

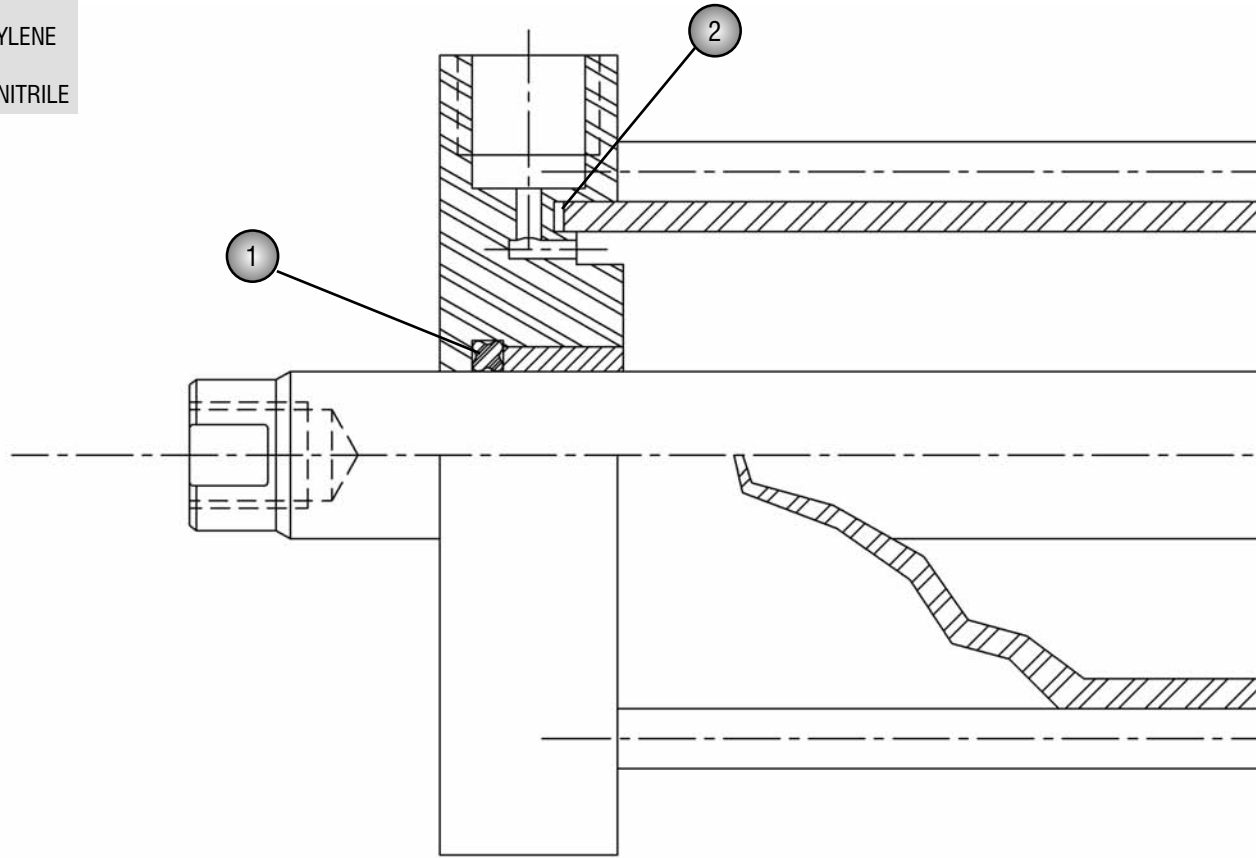
Remsa [KITS]

LP/LPM SERIES

AIR CYLINDER LIGHT DUTY

SERVICE CLASS

- 1- NITRILE
- 3- ETHYLENE PROPYLENE
- 5- FLUOROCARBON
- 6- CARBOXYLATED NITRILE



* SINGLE ROD SEAL KITS CONTAIN SEALS TO REPAIR SINGLE AND DOUBLE ROD CYLINDERS.
WHEN REPAIRING A SINGLE ROD CYLINDER, ONE ROD SEAL WILL NOT BE USED.

“LP” COMPLETE SEAL KIT - Service Class 1 (1-2-3)*

“LP” COMPLETE SEAL KIT - Service Class 5 (1-2-3)*

Rod	Bore	Ref. Number	\$
0.250	0.562	RPH-SKS05LP251	8.57
0.312	0.750	RPH-SKS07LP311	8.94
0.500	1.125	RPH-SKS12LP501	9.10
0.625	1.500	RPH-SKS15LP621	10.04
0.750	2.000	RPH-SKS20LP751	11.27
0.750	2.500	RPH-SKS25LP751	12.21
0.875	3.000	RPH-SKS30LP781	21.15
1.000	4.000	RPH-SKS40LP101	25.84

Rod	Bore	Ref. Number	\$
0.250	0.562	RPH-SKS05LP255	19.27
0.312	0.750	RPH-SKS07LP315	21.15
0.500	1.125	RPH-SKS12LP505	22.54
0.625	1.500	RPH-SKS15LP625	27.72
0.750	2.000	RPH-SKS20LP755	29.11
0.750	2.500	RPH-SKS25LP755	38.50
0.875	3.000	RPH-SKS30LP785	70.91
1.000	4.000	RPH-SKS40LP105	83.12

All manufacturer's names, part numbers and descriptions are used for reference purposes only. We do not imply that any part shown is the product of these manufacturers.

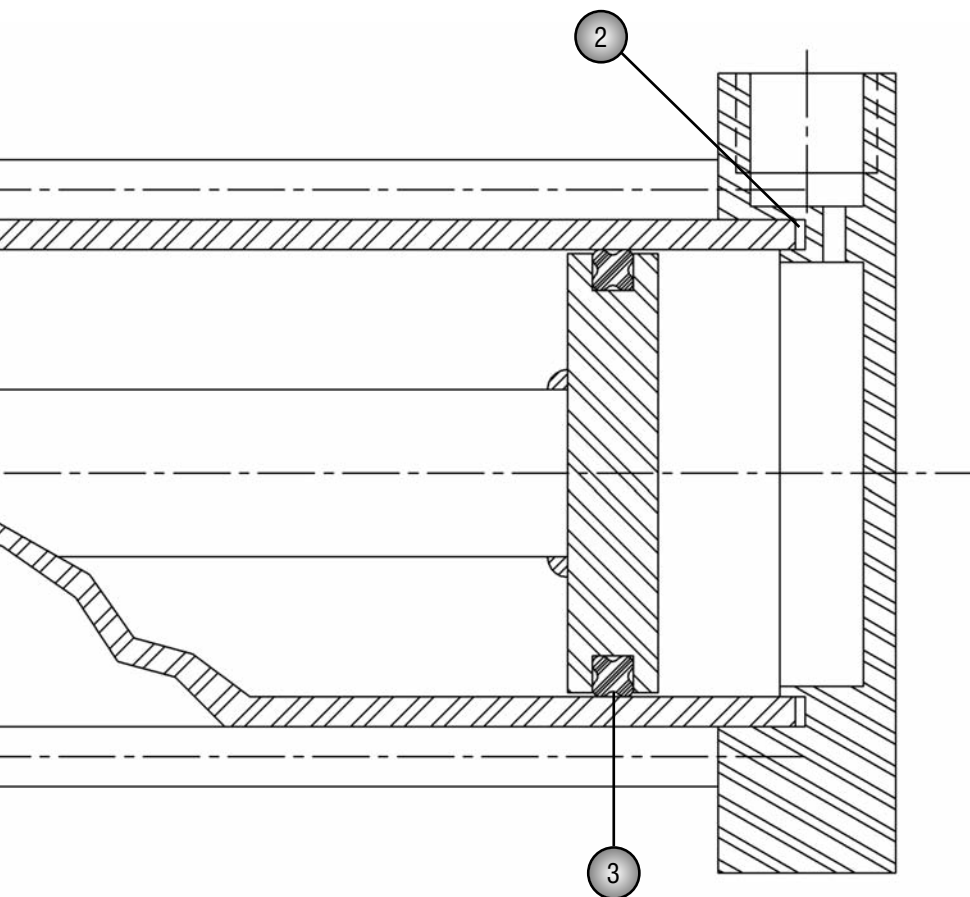
KITS

80

LP/LPM S E R I E S

COMPONENTS

- 1-ROD SEAL
- 2-TUBE END SEAL
- 3-PISTON SEAL



**INDUSTRIAL
SEAL KITS**

**MOBILE
SEAL KITS**

PARKER

“LPM” COMPLETE SEAL KIT - Service Class 1 (1-2-3)*

Rod	Bore	Ref. Number	\$
0.250	0.562	RPH-KS05LPL251	26.29
0.312	0.750	RPH-KS07LPL311	26.78
0.500	1.125	RPH-KS12LPL501	29.60
0.625	1.500	RPH-KS15LPL621	30.99
0.750	2.000	RPH-KS20LPL751	32.86
0.750	2.500	RPH-KS25LPL751	26.78
0.875	3.000	RPH-KS30LPL781	38.99
1.000	4.000	RPH-KS40LPL101	42.74

“LPM” COMPLETE SEAL KIT - Service Class 5 (1-2-3)*

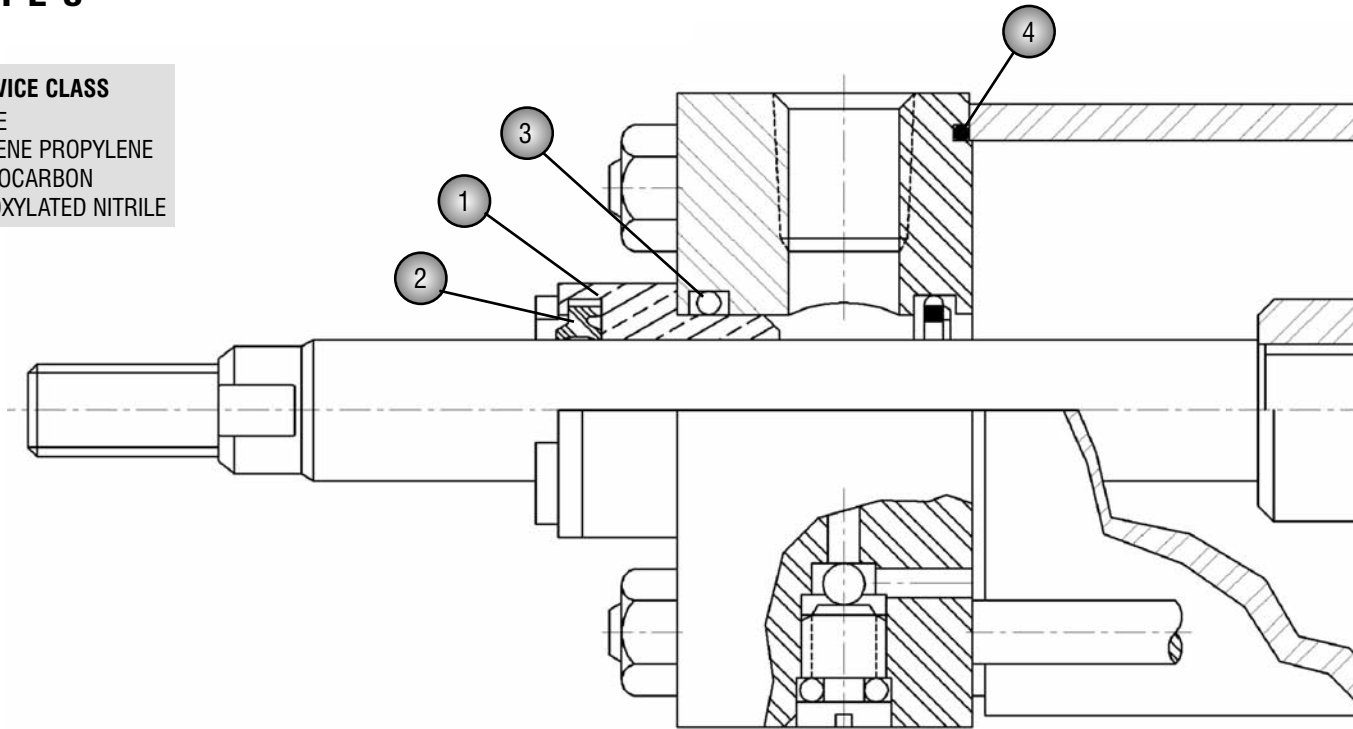
Rod	Bore	Ref. Number	\$
0.250	0.562	RPH-KS05LPL255	54.95
0.312	0.750	RPH-KS07LPL315	56.83
0.500	1.125	RPH-KS12LPL505	60.09
0.625	1.500	RPH-KS15LPL625	76.55
0.750	2.000	RPH-KS20LPL755	95.78
0.750	2.500	RPH-KS25LPL755	107.04
0.875	3.000	RPH-KS30LPL785	169.02
1.000	4.000	RPH-KS40LPL105	188.73

All manufacturer's names, part numbers and descriptions are used for reference purposes only. We do not imply that any part shown is the product of these manufacturers.

2MA AIR CYLINDER LIGHT DUTY SERIES

SERVICE CLASS

- 1- NITRILE
- 3- ETHYLENE PROPYLENE
- 5- FLUOROCARBON
- 6- CARBOXYLATED NITRILE



GLAND CARTRIDGE KIT - Service Class 1 (1-2-3)

Rod	Bore	Ref. Number	\$
0.500"		RPH-RG02MA0051	46.22
0.625"		RPH-RG02MA0061	20.65
1.000"		RPH-RG02MA0101	23.65
1.375"		RPH-RG02MA0131	32.38
1.750"		RPH-RG02MA0171	49.19

ROD SEAL KIT - Service Class 1 (2-3)

Rod	Bore	Ref. Number	\$
0.500"		RPH-RK02MA0051	10.77
0.625"		RPH-RK02MA0061	11.11
1.000"		RPH-RK02MA0101	11.39
1.375"		RPH-RK02MA0131	12.18
1.750"		RPH-RK02MA0171	13.01

GLAND CARTRIDGE KIT - Service Class 5 (1-2-3)

Rod	Bore	Ref. Number	\$
0.500"		RPH-RG02MA0055	47.93
0.625"		RPH-RG02MA0065	35.21
1.000"		RPH-RG02MA0105	39.01
1.375"		RPH-RG02MA0135	56.39
1.750"		RPH-RG02MA0175	86.11

ROD SEAL KIT - Service Class 5 (2-3)

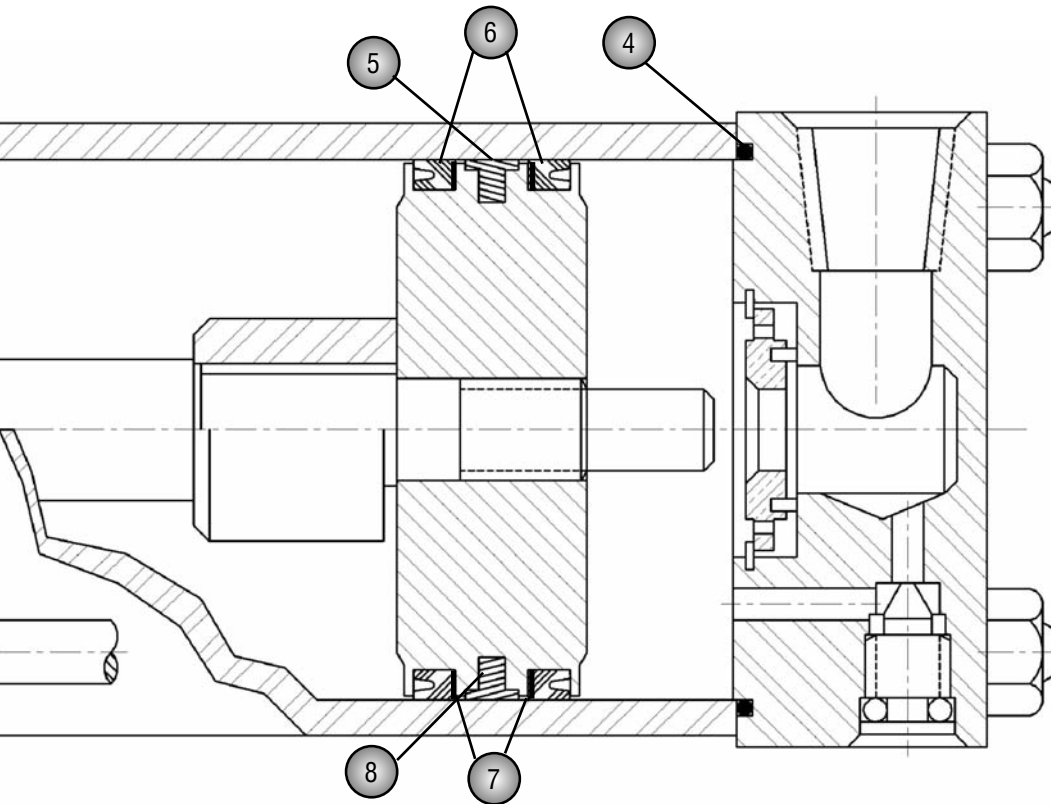
Rod	Bore	Ref. Number	\$
0.500"		RPH-RK02MA0055	16.11
0.625"		RPH-RK02MA0065	16.54
1.000"		RPH-RK02MA0105	17.08
1.375"		RPH-RK02MA0135	21.40
1.750"		RPH-RK02MA0175	26.90

All manufacturer's names, part numbers and descriptions are used for reference purposes only. We do not imply that any part shown is the product of these manufacturers.

INDUSTRIAL
SEAL KITS

MOBILE
SEAL KITS

PARKER



COMPONENTS

- 1-GLAND CARTRIDGE
- 2-ROD WIPER
- 3-O'RING
- 4-BODY END - O'RING
- 5-GUIDING ELEMENT
- 6-PISTON LIP SEAL
- 7-B.UP RING
- 8-MAGNETIC RING

PISTON SEAL KIT - Service Class 1 (4-5-6-7)

Rod	Bore	Ref. Number	\$
	1.250"	RPH-PK1252MA01	19.27
	1.500"	RPH-PK1502MA01	20.08
	2.000"	RPH-PK2002MA01	20.35
	2.500"	RPH-PK2502MA01	21.82
	3.250"	RPH-PK3202MA01	26.23
	4.000"	RPH-PK4002MA01	32.17
	5.000"	RPH-PK5002MA01	41.61
	6.000"	RPH-PK6002MA01	55.64
	8.000"	RPH-PK8002MA01	98.23

CYLINDER BODY END KIT - Service Class 1 (4)

Rod	Bore	Ref. Number	\$
	1.250"	RPH-CB1252MA01	3.83
	1.500"	RPH-CB1502MA01	5.31
	2.000"	RPH-CB2002MA01	5.31
	2.500"	RPH-CB2502MA01	5.45
	3.250"	RPH-CB3202MA01	7.70
	4.000"	RPH-CB4002MA01	11.74
	5.000"	RPH-CB5002MA01	15.38
	6.000"	RPH-CB6002MA01	20.47
	8.000"	RPH-CB8002MA01	25.00

PISTON SEAL KIT - Service Class 5 (4-5-6-7)

Rod	Bore	Ref. Number	\$
	1.250"	RPH-PK1252MA05	40.52
	1.500"	RPH-PK1502MA05	39.13
	2.000"	RPH-PK2002MA05	41.89
	2.500"	RPH-PK2502MA05	55.60
	3.250"	RPH-PK3202MA05	68.73
	4.000"	RPH-PK4002MA05	77.86
	5.000"	RPH-PK5002MA05	117.83
	6.000"	RPH-PK6002MA05	166.89
	8.000"	RPH-PK8002MA05	279.07

CYLINDER BODY END KIT - Service Class 5 (4)

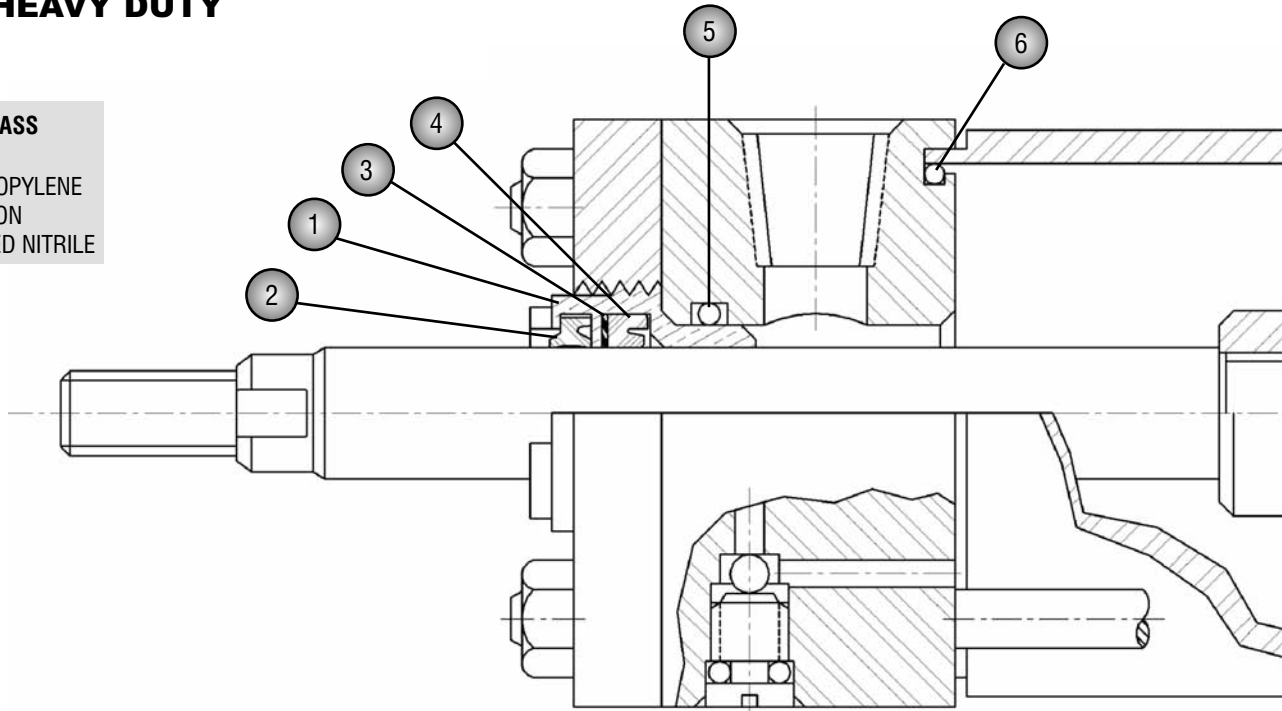
Rod	Bore	Ref. Number	\$
	1.250"	RPH-CB1252MA05	4.49
	1.500"	RPH-CB1502MA05	5.50
	2.000"	RPH-CB2002MA05	9.16
	2.500"	RPH-CB2502MA05	9.16
	3.250"	RPH-CB3202MA05	12.15
	4.000"	RPH-CB4002MA05	13.34
	5.000"	RPH-CB5002MA05	24.62
	6.000"	RPH-CB6002MA05	40.02
	8.000"	RPH-CB8002MA05	41.21

All manufacturer's names, part numbers and descriptions are used for reference purposes only. We do not imply that any part shown is the product of these manufacturers.

2A AIR CYLINDER SERIES HEAVY DUTY

SERVICE CLASS

- 1- NITRILE
- 3- ETHYLENE PROPYLENE
- 5- FLUOROCARBON
- 6- CARBOXYLATED NITRILE



GLAND CARTRIDGE KIT - Service Class 1 (1-2-3-4-5)

Rod	Bore	Ref. Number	\$
0.500"		RPH-RG2AHL0051	53.26
0.625"		RPH-RG2AHL0061	32.17
1.000"		RPH-RG2AHL0101	39.44
1.375"		RPH-RG2AHL0131	48.08
1.750"		RPH-RG2AHL0171	55.68
2.000"		RPH-RG2AHL0201	69.46
2.500"		RPH-RG2AHL0251	89.18
3.000"		RPH-RG2AHL0301	121.64
3.500"		RPH-RG2AHL0351	266.67
4.000"		RPH-RG2AHL0401	324.31
4.500"		RPH-RG2AHL0451	403.51
5.000"		RPH-RG2AHL0501	448.95
5.500"		RPH-RG2AHL0551	463.02

ROD SEAL KIT - Service Class 1 (2-3-4-5)

Rod	Bore	Ref. Number	\$
0.500"		RPH-RK2AHL0051	6.18
0.625"		RPH-RK2AHL0061	10.70
1.000"		RPH-RK2AHL0101	7.72
1.375"		RPH-RK2AHL0131	8.49
1.750"		RPH-RK2AHL0171	9.82
2.000"		RPH-RK2AHL0201	10.85
2.500"		RPH-RK2AHL0251	12.18
3.000"		RPH-RK2AHL0301	15.80
3.500"		RPH-RK2AHL0351	73.91
4.000"		RPH-RK2AHL0401	83.10
4.500"		RPH-RK2AHL0451	107.65
5.000"		RPH-RK2AHL0501	122.54
5.500"		RPH-RK2AHL0551	149.66

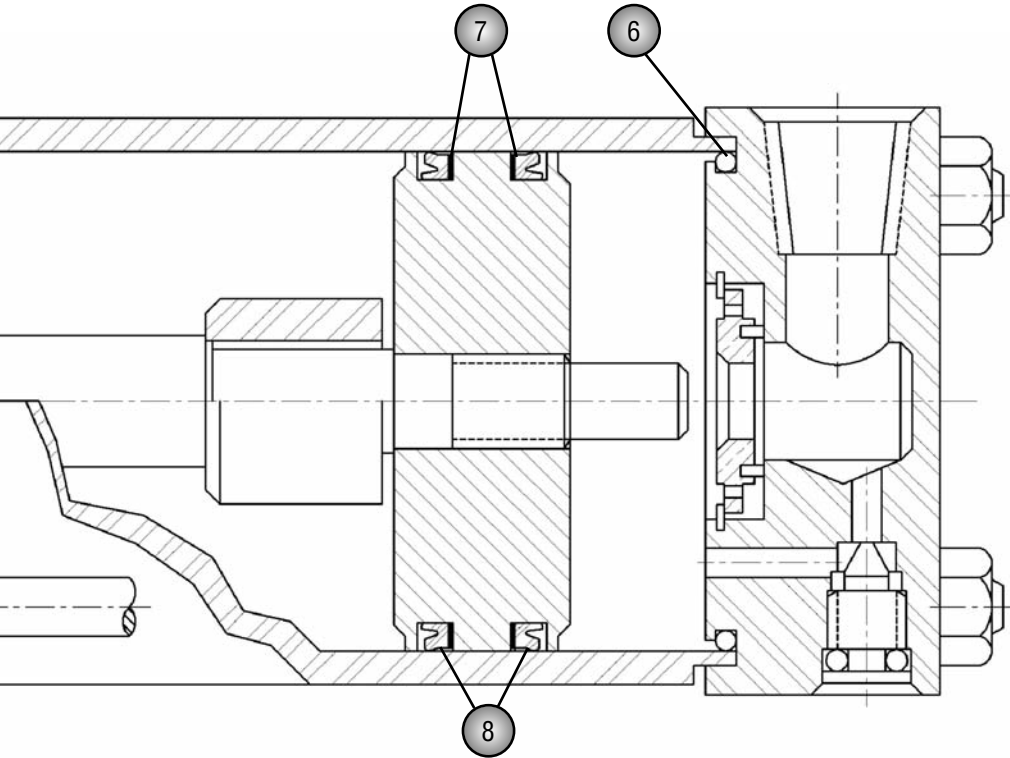
GLAND CARTRIDGE KIT - Service Class 5 (1-2-3-4-5)

Rod	Bore	Ref. Number	\$
0.500"		RPH-RG2AHL0055	68.46
0.625"		RPH-RG2AHL0065	52.47
1.000"		RPH-RG2AHL0105	59.39
1.375"		RPH-RG2AHL0135	74.61
1.750"		RPH-RG2AHL0175	81.47
2.000"		RPH-RG2AHL0205	96.97
2.500"		RPH-RG2AHL0255	118.49
3.000"		RPH-RG2AHL0305	143.16
3.500"		RPH-RG2AHL0355	288.99
4.000"		RPH-RG2AHL0405	340.51
4.500"		RPH-RG2AHL0455	406.84
5.000"		RPH-RG2AHL0505	508.19
5.500"		RPH-RG2AHL0555	554.64

ROD SEAL KIT - Service Class 5 (2-3-4-5)

Rod	Bore	Ref. Number	\$
0.500"		RPH-RK2AHL0055	25.64
0.625"		RPH-RK2AHL0065	28.19
1.000"		RPH-RK2AHL0105	31.67
1.375"		RPH-RK2AHL0135	41.01
1.750"		RPH-RK2AHL0175	42.71
2.000"		RPH-RK2AHL0205	44.52
2.500"		RPH-RK2AHL0255	48.72
3.000"		RPH-RK2AHL0305	58.79
3.500"		RPH-RK2AHL0355	121.96
4.000"		RPH-RK2AHL0405	141.33
4.500"		RPH-RK2AHL0455	176.87
5.000"		RPH-RK2AHL0505	206.66
5.500"		RPH-RK2AHL0555	296.51

All manufacturer's names, part numbers and descriptions are used for reference purposes only. We do not imply that any part shown is the product of these manufacturers.



COMPONENTS

- 1-GLAND CARTRIDGE
- 2-ROD WIPER
- 3-BACK-UP RING
- 4-ROD SEAL
- 5-O'RING
- 6-BODY END - O'RING
- 7-BACK-UP RING
- 8-PISTON SEAL

PISTON SEAL KIT - Service Class 1 (6-7-8)

Rod	Bore	Ref. Number	\$
	1.000"	RPH-PK1002A001	7.65
	1.500"	RPH-PK1502A001	8.99
	2.000"	RPH-PK2002A001	10.58
	2.500"	RPH-PK2502A001	12.28
	3.250"	RPH-PK3202A001	15.22
	4.000"	RPH-PK4002A001	20.00
	5.000"	RPH-PK5002A001	23.34
	6.000"	RPH-PK6002A001	30.32
	7.000"	RPH-PK7002A001	75.62
	8.000"	RPH-PK8002A001	88.05
	10.000"	RPH-PK9002A001	130.40
	12.000"	RPH-PK9202A001	177.16
	14.000"	RPH-PK9402A001	274.01

CYLINDER BODY END KIT - Service Class 1 (6)

Rod	Bore	Ref. Number	\$
	1.000"	RPH-CB102HL001	5.44
	1.500"	RPH-CB152HL001	5.59
	2.000"	RPH-CB202HL001	5.87
	2.500"	RPH-CB252HL001	6.11
	3.250"	RPH-CB322A0001	5.57
	4.000"	RPH-CB402A0001	5.83
	5.000"	RPH-CB502A0001	6.72
	6.000"	RPH-CB602A0001	7.99
	7.000"	RPH-CB702A0001	8.61
	8.000"	RPH-CB802A0001	9.76
	10.000"	RPH-CB902A0001	11.10
	12.000"	RPH-CB922A0001	12.49
	14.000"	RPH-CB942A0001	14.29

PISTON SEAL KIT - Service Class 5 (6-7-8)

Rod	Bore	Ref. Number	\$
	1.000"	RPH-PK1002A005	29.04
	1.500"	RPH-PK1502A005	40.92
	2.000"	RPH-PK2002A005	46.69
	2.500"	RPH-PK2502A005	65.53
	3.250"	RPH-PK3202A005	76.47
	4.000"	RPH-PK4002A005	82.43
	5.000"	RPH-PK5002A005	104.61
	6.000"	RPH-PK6002A005	139.04
	7.000"	RPH-PK7002A005	220.39
	8.000"	RPH-PK8002A005	301.37
	10.000"	RPH-PK9002A005	382.52
	12.000"	RPH-PK9202A005	587.61
	14.000"	RPH-PK9402A005	960.04

CYLINDER BODY END KIT - Service Class 5 (6)

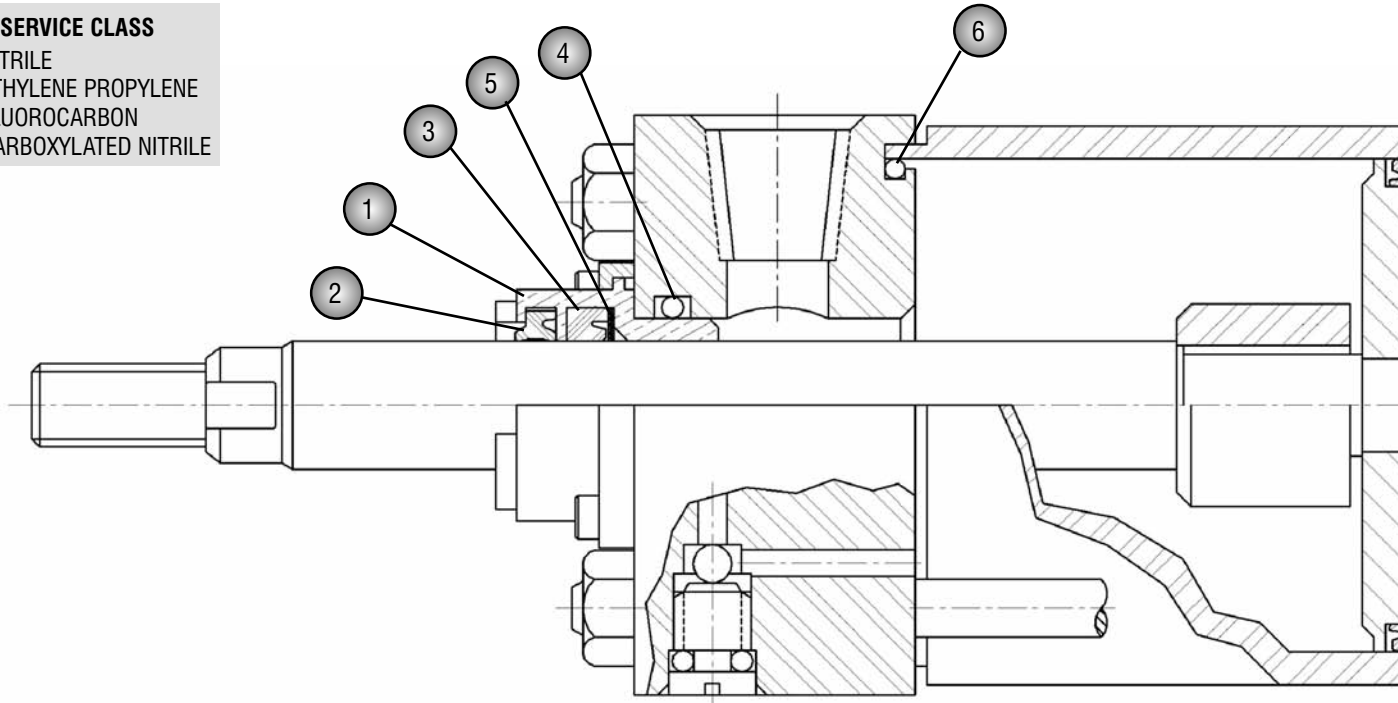
Rod	Bore	Ref. Number	\$
	1.000"	RPH-CB102HL005	7.64
	1.500"	RPH-CB152HL005	8.81
	2.000"	RPH-CB202HL005	13.07
	2.500"	RPH-CB252HL005	16.32
	3.250"	RPH-CB322A0005	17.11
	4.000"	RPH-CB402A0005	21.41
	5.000"	RPH-CB502A0005	30.91
	6.000"	RPH-CB602A0005	32.31
	7.000"	RPH-CB702A0005	46.36
	8.000"	RPH-CB802A0005	47.18
	10.000"	RPH-CB902A0005	48.75
	12.000"	RPH-CB922A0005	54.95
	14.000"	RPH-CB942A0005	62.05

All manufacturer's names, part numbers and descriptions are used for reference purposes only. We do not imply that any part shown is the product of these manufacturers.

2AN AIR CYLINDER HEAVY DUTY SERIES

SERVICE CLASS

- 1- NITRILE
- 3- ETHYLENE PROPYLENE
- 5- FLUOROCARBON
- 6- CARBOXYLATED NITRILE



GLAND CARTRIDGE KIT - Service Class 1 (1-2-3-4-5*)

ROD SEAL KIT - Service Class 1 (2-3-4-5*)

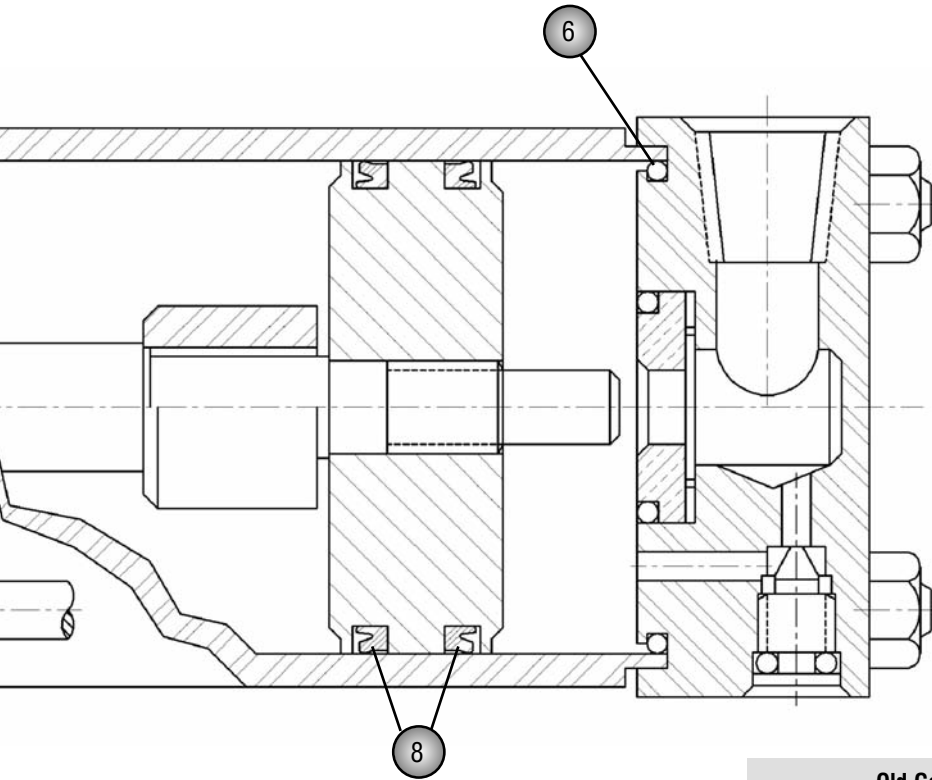
Rod	Bore	Ref. Number	\$	Rod	Bore	Ref. Number	\$
0.500"		RPH-RG2AN00051	51.03	0.500"		RPH-RK2AN00051	22.21
0.625"		RPH-RG2AN00061	53.11	0.625"		RPH-RK2AN00061	23.27
1.000"		RPH-RG2AN00101	59.69	1.000"		RPH-RK2AN00101	26.74
1.375"		RPH-RG2AN00131	63.52	1.375"		RPH-RK2AN00131	29.52
1.750"		RPH-RG2AN00171	79.81	1.750"		RPH-RK2AN00171	34.70
2.000"		RPH-RG2AN00201	97.16	2.000"		RPH-RK2AN00201	40.95
2.500"		RPH-RG2AN00251	158.93	2.500"		RPH-RK2AN00251	59.36
3.000"		RPH-RG2AN00301	241.52	3.000"		RPH-RK2AN00301	97.86
3.500"		RPH-RG2AN00351	343.54	3.500"		RPH-RK2AN00351	154.77
4.000"		RPH-RG2AN00401	460.14	4.000"		RPH-RK2AN00401	187.39
4.500"		RPH-RG2AN00451	570.49	4.500"		RPH-RK2AN00451	205.43
5.000"		RPH-RG2AN00501	680.14	5.000"		RPH-RK2AN00501	224.86
5.500"		RPH-RG2AN00551	762.04	5.500"		RPH-RK2AN00551	268.59

All manufacturer's names, part numbers and descriptions are used for reference purposes only. We do not imply that any part shown is the product of these manufacturers.

INDUSTRIAL
SEAL KITS

MOBILE
SEAL KITS

PARKER

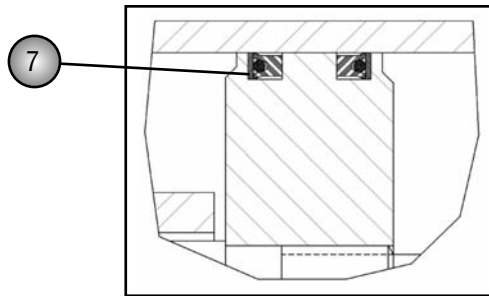


COMPONENTS

- 1-GLAND CARTRIDGE
- 2-ROD WIPER
- 3-ROD SEAL
- 4-O'RING
- 5-WICK & WASHER*
- 6-BODY END - O'RING
- 7-WICK & WASHER**
- 8-PISTON LIP SEAL

* FOR 3.000" TO 5.500" ROD ONLY
 ** FOR 14.000" BORE ONLY

Old Generation



PISTON SEAL KIT - Service Class 1 (6-7**-8)

Rod	Bore	Ref. Number	\$
	1.000"	RPH-PK1002AN01	23.15
	1.500"	RPH-PK1502AN01	25.72
	2.000"	RPH-PK2002AN01	28.74
	2.500"	RPH-PK2502AN01	56.03
	3.250"	RPH-PK3202AN01	36.86
	4.000"	RPH-PK4002AN01	43.07
	5.000"	RPH-PK5002AN01	53.93
	6.000"	RPH-PK6002AN01	80.67
	7.000"	RPH-PK7002AN01	117.90
	8.000"	RPH-PK8002AN01	149.71
	10.000"	RPH-PK9002AN01	218.74
	12.000"	RPH-PK9202AN01	460.75
	14.000"	RPH-PK9402AN01	555.38

CYLINDER BODY END KIT - Service Class 1 (6-7**-8)

Rod	Bore	Ref. Number	\$
	1.000"	RPH-CB102HL001	5.44
	1.500"	RPH-CB152HL001	5.59
	2.000"	RPH-CB202HL001	5.87
	2.500"	RPH-CB252HL001	6.11
	3.250"	RPH-CB322A0001	5.57
	4.000"	RPH-CB402A0001	5.83
	5.000"	RPH-CB502A0001	6.72
	6.000"	RPH-CB602A0001	7.99
	7.000"	RPH-CB702A0001	8.61
	8.000"	RPH-CB802A0001	9.76
	10.000"	RPH-CB902A0001	11.10
	12.000"	RPH-CB922A0001	12.49
	14.000"	RPH-CB942A0001	14.29

All manufacturer's names, part numbers and descriptions are used for reference purposes only. We do not imply that any part shown is the product of these manufacturers.

3L SERIES

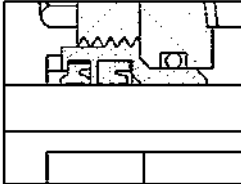
HYDRAULIC CYLINDER MEDIUM DUTY

SERVICE CLASS

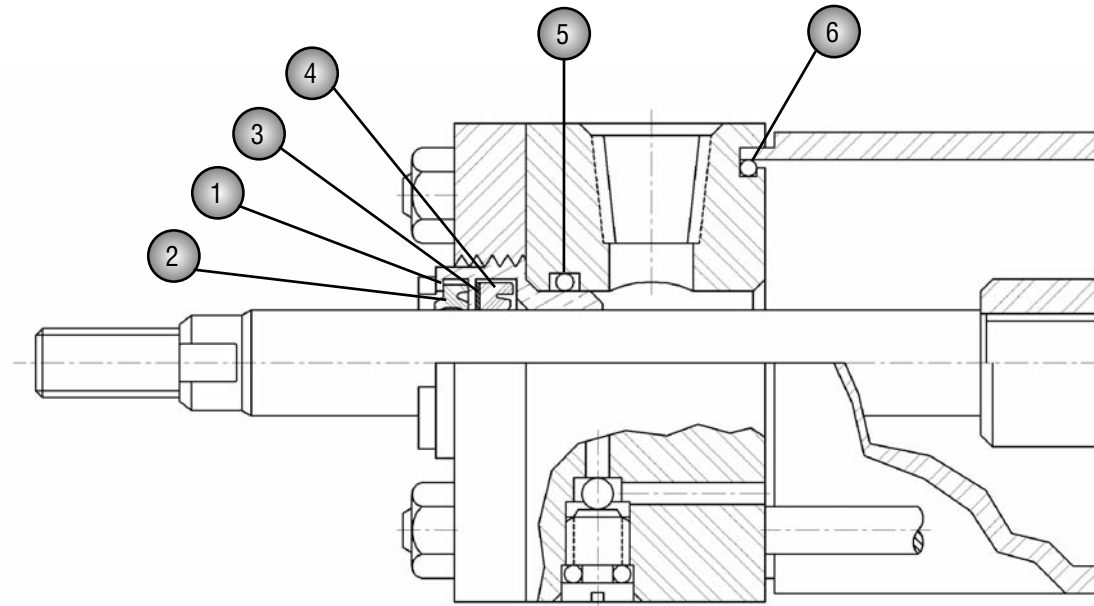
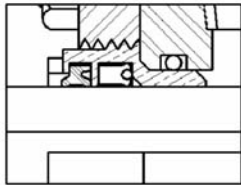
- 1- NITRILE
- 3- ETHYLENE PROPYLENE
- 5- FLUOROCARBON
- 6- CARBOXYLATED NITRILE

OPTIONS

TS Series



Polypak Series



GLAND CARTRIDGE KIT - Service Class 1 (1-2-3-4-5)

ROD SEAL KIT - Service Class 1 (2-3-4-5)

Rod	Bore	Ref. Number	\$
0.500"		RPH-RG2AHL0051	53.26
0.625"		RPH-RG2AHL0061	32.17
1.000"		RPH-RG2AHL0101	39.44
1.375"		RPH-RG2AHL0131	48.08
1.750"		RPH-RG2AHL0171	55.68
2.000"		RPH-RG2AHL0201	69.46
2.500"		RPH-RG2AHL0251	89.18
3.000"		RPH-RG2AHL0301	121.64
3.500"		RPH-RG2AHL0351	266.67
4.000"		RPH-RG2AHL0401	324.31
4.500"		RPH-RG2AHL0451	403.51
5.000"		RPH-RG2AHL0501	448.95
5.500"		RPH-RG2AHL0551	463.02

Rod	Bore	Ref. Number	\$
0.500"		RPH-RK2AHL0051	6.18
0.625"		RPH-RK2AHL0061	10.70
1.000"		RPH-RK2AHL0101	7.72
1.375"		RPH-RK2AHL0131	8.49
1.750"		RPH-RK2AHL0171	9.82
2.000"		RPH-RK2AHL0201	10.85
2.500"		RPH-RK2AHL0251	12.18
3.000"		RPH-RK2AHL0301	15.80
3.500"		RPH-RK2AHL0351	73.91
4.000"		RPH-RK2AHL0401	83.10
4.500"		RPH-RK2AHL0451	107.65
5.000"		RPH-RK2AHL0501	122.54
5.500"		RPH-RK2AHL0551	149.66

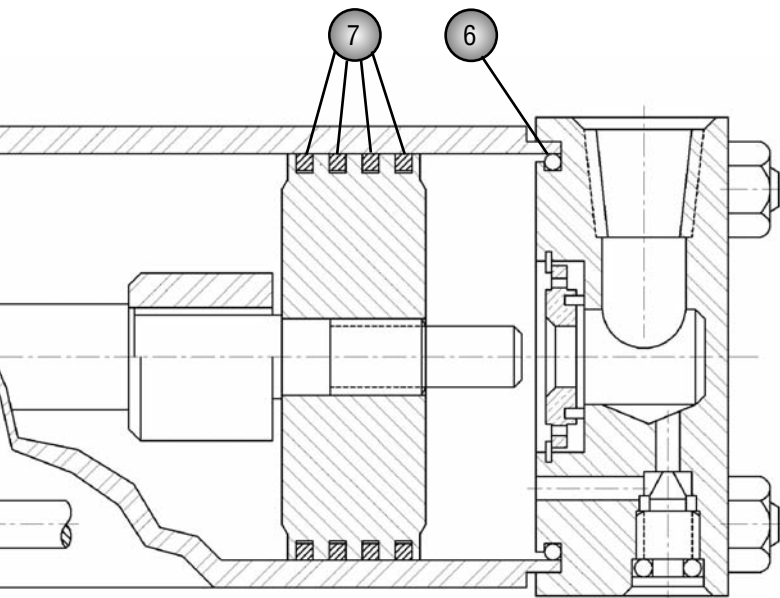
GLAND CARTRIDGE KIT - Service Class 5 (1-2-3-4-5)

ROD SEAL KIT - Service Class 5 (2-3-4-5)

Rod	Bore	Ref. Number	\$
0.500"		RPH-RG2AHL0055	68.46
0.625"		RPH-RG2AHL0065	52.47
1.000"		RPH-RG2AHL0105	59.39
1.375"		RPH-RG2AHL0135	74.61
1.750"		RPH-RG2AHL0175	81.47
2.000"		RPH-RG2AHL0205	96.97
2.500"		RPH-RG2AHL0255	118.49
3.000"		RPH-RG2AHL0305	143.16
3.500"		RPH-RG2AHL0355	288.99
4.000"		RPH-RG2AHL0405	340.51
4.500"		RPH-RG2AHL0455	406.84
5.000"		RPH-RG2AHL0505	508.19
5.500"		RPH-RG2AHL0555	554.64

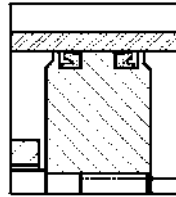
Rod	Bore	Ref. Number	\$
0.500"		RPH-RK2AHL0055	25.64
0.625"		RPH-RK2AHL0065	28.19
1.000"		RPH-RK2AHL0105	31.67
1.375"		RPH-RK2AHL0135	41.01
1.750"		RPH-RK2AHL0175	42.71
2.000"		RPH-RK2AHL0205	44.52
2.500"		RPH-RK2AHL0255	48.72
3.000"		RPH-RK2AHL0305	58.79
3.500"		RPH-RK2AHL0355	121.96
4.000"		RPH-RK2AHL0405	141.33
4.500"		RPH-RK2AHL0455	176.87
5.000"		RPH-RK2AHL0505	206.66
5.500"		RPH-RK2AHL0555	296.51

All manufacturer's names, part numbers and descriptions are used for reference purposes only. We do not imply that any part shown is the product of these manufacturers.



OPTIONS

Piston Lipseal



COMPONENTS

- 1-GLAND CARTRIDGE
- 2-ROD WIPER
- 3-BACK-UP RING
- 4-ROD SEAL
- 5-O'RING
- 6-BODY END - O'RING
- 7-PISTON RING

GLAND CARTRIDGE KIT - Service Class 1 (OPTIONAL)

Rod	Bore	Ref. Number	\$
0.500"		RPH-RG2HLTS051	78.09
0.625"		RPH-RG2HLTS061	59.87
1.000"		RPH-RG2HLTS101	67.94
1.375"		RPH-RG2HLTS131	79.48
1.750"		RPH-RG2HLTS171	85.29
2.000"		RPH-RG2HLTS201	110.92
2.500"		RPH-RG2HLTS251	143.95
3.000"		RPH-RG2HLTS301	178.43
3.500"		RPH-RG2HLTS351	252.48
4.000"		RPH-RG2HLTS401	330.01
4.500"		RPH-RG2HLTS451	358.96
5.000"		RPH-RG2HLTS501	473.89
5.500"		RPH-RG2HLTS551	489.05

GLAND CARTRIDGE KIT - Service Class 1 (OPTIONAL)

Rod	Bore	Ref. Number	\$
0.625"		RPH-RGDHLTS061	74.71
1.000"		RPH-RGDHLTS101	80.02
1.375"		RPH-RGDHLTS131	86.75
1.750"		RPH-RGDHLTS171	108.88
2.000"		RPH-RGDHLTS201	130.64
2.500"		RPH-RGDHLTS251	181.67
3.000"		RPH-RGDHLTS301	239.03
3.500"		RPH-RGDHLTS351	486.31
4.000"		RPH-RGDHLTS401	547.06
4.500"		RPH-RGDHLTS451	673.61
5.000"		RPH-RGDHLTS501	758.53
5.500"		RPH-RGDHLTS551	815.68

ROD SEAL KIT - Service Class 1 (OPTIONAL)

Rod	Bore	Ref. Number	\$
0.500"		RPH-RK2HLTS051	18.41
0.625"		RPH-RK2HLTS061	18.86
1.000"		RPH-RK2HLTS101	22.29
1.375"		RPH-RK2HLTS131	26.33
1.750"		RPH-RK2HLTS171	30.60
2.000"		RPH-RK2HLTS201	35.06
2.500"		RPH-RK2HLTS251	37.51
3.000"		RPH-RK2HLTS301	40.77
3.500"		RPH-RK2HLTS351	48.85
4.000"		RPH-RK2HLTS401	54.58
4.500"		RPH-RK2HLTS451	59.59
5.000"		RPH-RK2HLTS501	64.65
5.500"		RPH-RK2HLTS551	70.98

GLAND CARTRIDGE KIT - Service Class 1 (OPTIONAL)

Rod	Bore	Ref. Number	\$
0.500"		RPH-RGPAHL0051	44.70
0.625"		RPH-RGPAHL0061	45.76
1.000"		RPH-RGPAHL0101	47.11
1.375"		RPH-RGPAHL0131	57.44
1.750"		RPH-RGPAHL0171	66.54
2.000"		RPH-RGPAHL0201	83.00
2.500"		RPH-RGPAHL0251	168.76
3.000"		RPH-RGPAHL0301	125.74
3.500"		RPH-RGPAHL0351	232.13
4.000"		RPH-RGPAHL0401	306.84
4.500"		RPH-RGPAHL0451	323.91
5.000"		RPH-RGPAHL0501	360.08
5.500"		RPH-RGPAHL0551	375.18

All manufacturer's names, part numbers and descriptions are used for reference purposes only. We do not imply that any part shown is the product of these manufacturers.

Remsa [KITS]

3L SERIES

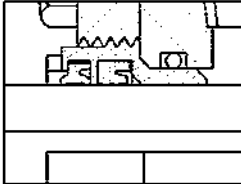
HYDRAULIC CYLINDER MEDIUM DUTY

SERVICE CLASS

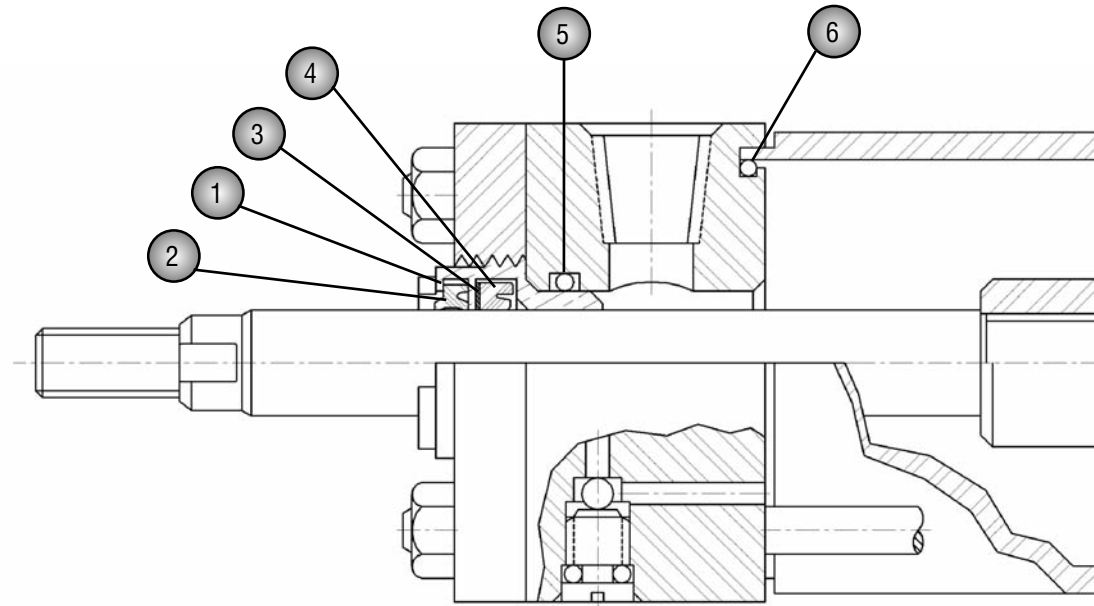
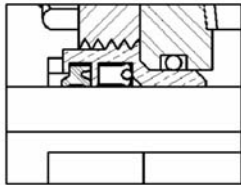
- 1- NITRILE
- 3- ETHYLENE PROPYLENE
- 5- FLUOROCARBON
- 6- CARBOXYLATED NITRILE

OPTIONS

TS Series



Polypak Series



PISTON RING KIT - Service Class 1 (6-7)

Rod	Bore	Ref. Number	\$
	1.000"	RPH-PR102H0001	66.66
	1.500"	RPH-PR152H0001	37.28
	2.000"	RPH-PR202H0001	39.78
	2.500"	RPH-PR252H0001	40.23
	3.250"	RPH-PR322H0001	43.50
	4.000"	RPH-PR402H0001	44.77
	5.000"	RPH-PR502H0001	58.98
	6.000"	RPH-PR602H0001	88.67
	7.000"	RPH-PR702H0001	99.08
	8.000"	RPH-PR802H0001	151.42

PISTON LIPSEAL KIT - Service Class 1 (OPTIONAL)

Rod	Bore	Ref. Number	\$
	1.000"	RPH-PK102HLL01	11.28
	1.500"	RPH-PK152HLL01	8.30
	2.000"	RPH-PK202HLL01	10.58
	2.500"	RPH-PK252HLL01	12.28
	3.250"	RPH-PK322HLL01	15.22
	4.000"	RPH-PK402HLL01	20.00
	5.000"	RPH-PK502HLL01	23.27
	6.000"	RPH-PK602HLL01	30.25
	7.000"	RPH-PK702HLL01	80.39
	8.000"	RPH-PK802HLL01	88.05

PISTON RING KIT - Service Class 5 (6-7)

Rod	Bore	Ref. Number	\$
	1.000"	RPH-PR102H0005	67.07
	1.500"	RPH-PR152H0005	43.19
	2.000"	RPH-PR202H0005	44.75
	2.500"	RPH-PR252H0005	45.39
	3.250"	RPH-PR322H0005	54.07
	4.000"	RPH-PR402H0005	55.11
	5.000"	RPH-PR502H0005	78.14
	6.000"	RPH-PR602H0005	94.56
	7.000"	RPH-PR702H0005	116.42
	8.000"	RPH-PR802H0005	161.52

PISTON LIPSEAL KIT - Service Class 5 (OPTIONAL)

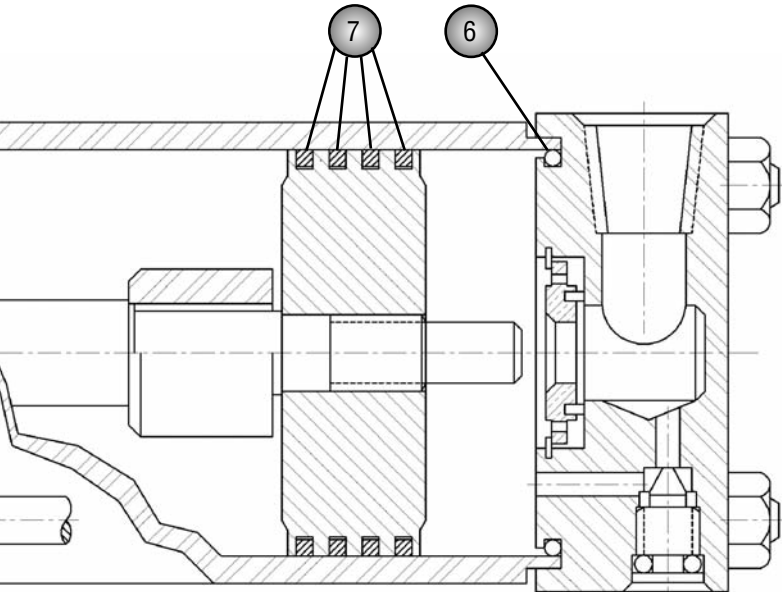
Rod	Bore	Ref. Number	\$
	1.000"	RPH-PK102HLL05	39.40
	1.500"	RPH-PK152HLL05	40.92
	2.000"	RPH-PK202HLL05	63.78
	2.500"	RPH-PK252HLL05	64.62
	3.250"	RPH-PK322HLL05	69.65
	4.000"	RPH-PK402HLL05	86.97
	5.000"	RPH-PK502HLL05	103.93
	6.000"	RPH-PK602HLL05	138.95
	7.000"	RPH-PK702HLL05	220.28
	8.000"	RPH-PK802HLL05	301.37

All manufacturer's names, part numbers and descriptions are used for reference purposes only. We do not imply that any part shown is the product of these manufacturers.

INDUSTRIAL
SEAL KITS

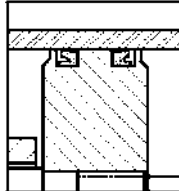
MOBILE
SEAL KITS

PARKER



OPTIONS

Piston Lipseal



- COMPONENTS**
- 1-GLAND CARTRIDGE
 - 2-ROD WIPER
 - 3-BACK-UP RING
 - 4-ROD SEAL
 - 5-O'RING
 - 6-BODY END - O'RING
 - 7-PISTON RING

CYLINDER BODY END - Service Class 1 (6)

Rod	Bore	Ref. Number	\$
	1.000"	RPH-CB102HL001	5.44
	1.500"	RPH-CB152HL001	5.59
	2.000"	RPH-CB202HL001	5.87
	2.500"	RPH-CB252HL001	6.11
	3.250"	RPH-CB322HL001	6.46
	4.000"	RPH-CB402HL001	6.76
	5.000"	RPH-CB502HL001	7.78
	6.000"	RPH-CB602HL001	9.26
	7.000"	RPH-CB702HL001	9.98
	8.000"	RPH-CB802HL001	11.32

CYLINDER BODY END - Service Class 5 (6)

Rod	Bore	Ref. Number	\$
	1.000"	RPH-CB102HL005	7.64
	1.500"	RPH-CB152HL005	8.81
	2.000"	RPH-CB202HL005	13.07
	2.500"	RPH-CB252HL005	16.32
	3.250"	RPH-CB322HL005	19.83
	4.000"	RPH-CB402HL005	24.82
	5.000"	RPH-CB502HL005	35.82
	6.000"	RPH-CB602HL005	37.46
	7.000"	RPH-CB702HL005	53.74
	8.000"	RPH-CB802HL005	54.70

All manufacturer's names, part numbers and descriptions are used for reference purposes only. We do not imply that any part shown is the product of these manufacturers.

2H/VH SERIES

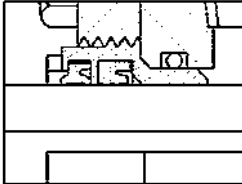
HYDRAULIC CYLINDER HEAVY DUTY

SERVICE CLASS

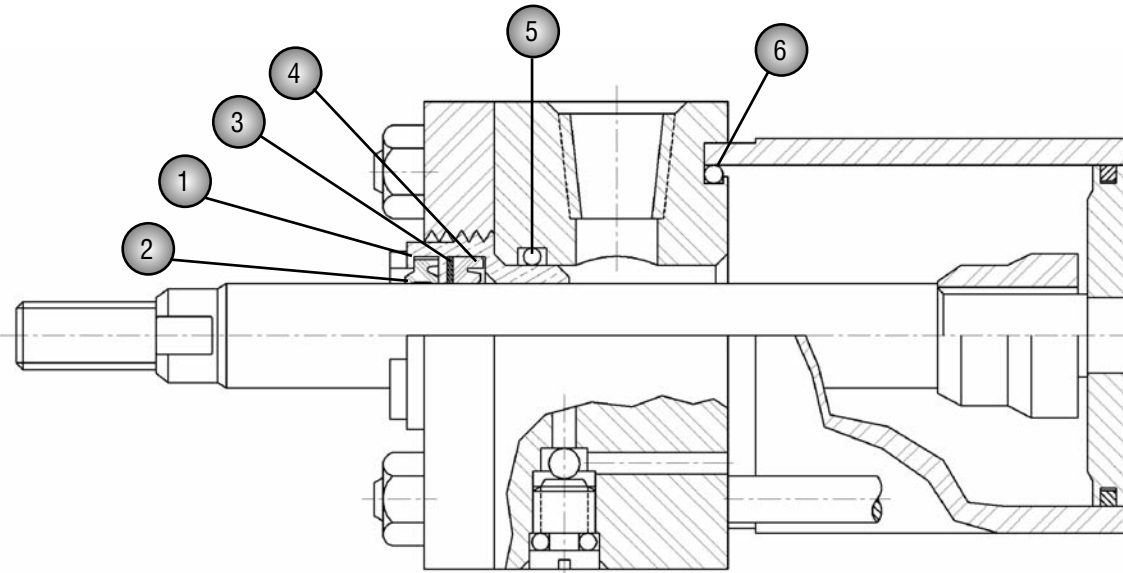
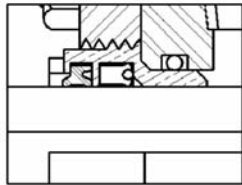
- 1- NITRILE
- 3- ETHYLENE PROPYLENE
- 5- FLUOROCARBON
- 6- CARBOXYLATED NITRILE

OPTIONS

TS Series



Polypak Series



*RG kits listed above are not applicable to 10 and 12" bore series cylinders. Contact us for more information on them.

GLAND CARTRIDGE KIT* - Service Class 1 (1-2-3-4-5)

Rod	Bore	Ref. Number	\$
0.500"		RPH-RG2AHL0051	53.26
0.625"		RPH-RG2AHL0061	32.17
1.000"		RPH-RG2AHL0101	39.44
1.375"		RPH-RG2AHL0131	48.08
1.750"		RPH-RG2AHL0171	55.68
2.000"		RPH-RG2AHL0201	69.46
2.500"		RPH-RG2AHL0251	89.18
3.000"		RPH-RG2AHL0301	121.64
3.500"		RPH-RG2AHL0351	266.67
4.000"		RPH-RG2AHL0401	324.31
4.500"		RPH-RG2AHL0451	403.51
5.000"		RPH-RG2AHL0501	448.95
5.500"		RPH-RG2AHL0551	463.02

ROD SEAL KIT* - Service Class 1 (2-3-4-5)

Rod	Bore	Ref. Number	\$
0.500"		RPH-RK2AHL0051	6.18
0.625"		RPH-RK2AHL0061	10.70
1.000"		RPH-RK2AHL0101	7.72
1.375"		RPH-RK2AHL0131	8.49
1.750"		RPH-RK2AHL0171	9.82
2.000"		RPH-RK2AHL0201	10.85
2.500"		RPH-RK2AHL0251	12.18
3.000"		RPH-RK2AHL0301	15.80
3.500"		RPH-RK2AHL0351	73.91
4.000"		RPH-RK2AHL0401	83.10
4.500"		RPH-RK2AHL0451	107.65
5.000"		RPH-RK2AHL0501	122.54
5.500"		RPH-RK2AHL0551	149.66

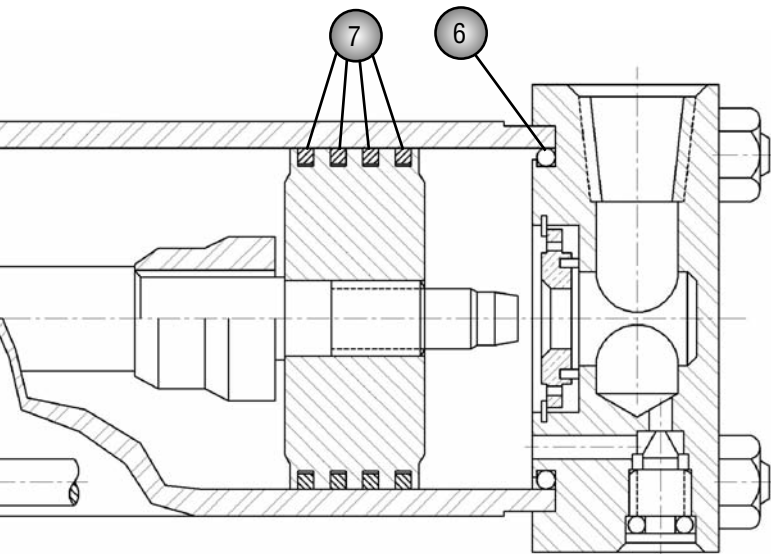
GLAND CARTRIDGE KIT* - Service Class 5 (1-2-3-4-5)

Rod	Bore	Ref. Number	\$
0.500"		RPH-RG2AHL0055	68.46
0.625"		RPH-RG2AHL0065	52.47
1.000"		RPH-RG2AHL0105	59.39
1.375"		RPH-RG2AHL0135	74.61
1.750"		RPH-RG2AHL0175	81.47
2.000"		RPH-RG2AHL0205	96.97
2.500"		RPH-RG2AHL0255	118.49
3.000"		RPH-RG2AHL0305	143.16
3.500"		RPH-RG2AHL0355	288.99
4.000"		RPH-RG2AHL0405	340.51
4.500"		RPH-RG2AHL0455	406.84
5.000"		RPH-RG2AHL0505	508.19
5.500"		RPH-RG2AHL0555	554.64

ROD SEAL KIT* - Service Class 5 (2-3-4-5)

Rod	Bore	Ref. Number	\$
0.500"		RPH-RK2AHL0055	25.64
0.625"		RPH-RK2AHL0065	28.19
1.000"		RPH-RK2AHL0105	31.67
1.375"		RPH-RK2AHL0135	41.01
1.750"		RPH-RK2AHL0175	42.71
2.000"		RPH-RK2AHL0205	44.52
2.500"		RPH-RK2AHL0255	48.72
3.000"		RPH-RK2AHL0305	58.79
3.500"		RPH-RK2AHL0355	121.96
4.000"		RPH-RK2AHL0405	141.33
4.500"		RPH-RK2AHL0455	176.87
5.000"		RPH-RK2AHL0505	206.66
5.500"		RPH-RK2AHL0555	296.51

All manufacturer's names, part numbers and descriptions are used for reference purposes only. We do not imply that any part shown is the product of these manufacturers.

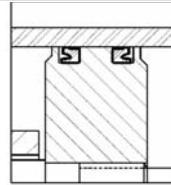


COMPONENTS

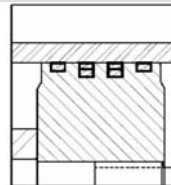
- 1-GLAND CARTRIDGE
- 2-ROD WIPER
- 3-BACK-UP RING
- 4-ROD SEAL
- 5-O'RING
- 6-BODY END - O'RING
- 7-PISTON RING

OPTIONS

Piston Lipseal



Piston Hi-Load



GLAND CARTRIDGE KIT* - Service Class 1 (OPTIONAL)

Rod	Bore	Ref. Number	\$
0.500"		RPH-RG2HLTS051	78.09
0.625"		RPH-RG2HLTS061	59.87
1.000"		RPH-RG2HLTS101	67.94
1.375"		RPH-RG2HLTS131	79.48
1.750"		RPH-RG2HLTS171	85.29
2.000"		RPH-RG2HLTS201	110.92
2.500"		RPH-RG2HLTS251	143.95
3.000"		RPH-RG2HLTS301	178.43
3.500"		RPH-RG2HLTS351	252.48
4.000"		RPH-RG2HLTS401	330.01
4.500"		RPH-RG2HLTS451	358.96
5.000"		RPH-RG2HLTS501	473.89
5.500"		RPH-RG2HLTS551	489.05

GLAND CARTRIDGE KIT* - Service Class 1 (OPTIONAL)

Rod	Bore	Ref. Number	\$
0.625"		RPH-RGDHLTS061	74.71
1.000"		RPH-RGDHLTS101	80.02
1.375"		RPH-RGDHLTS131	86.75
1.750"		RPH-RGDHLTS171	108.88
2.000"		RPH-RGDHLTS201	130.64
2.500"		RPH-RGDHLTS251	181.67
3.000"		RPH-RGDHLTS301	239.03
3.500"		RPH-RGDHLTS351	486.31
4.000"		RPH-RGDHLTS401	547.06
4.500"		RPH-RGDHLTS451	673.61
5.000"		RPH-RGDHLTS501	758.53
5.500"		RPH-RGDHLTS551	815.68

ROD SEAL KIT* - Service Class 1 (OPTIONAL)

Rod	Bore	Ref. Number	\$
0.500"		RPH-RK2HLTS051	18.41
0.625"		RPH-RK2HLTS061	18.86
1.000"		RPH-RK2HLTS101	22.29
1.375"		RPH-RK2HLTS131	26.33
1.750"		RPH-RK2HLTS171	30.60
2.000"		RPH-RK2HLTS201	35.06
2.500"		RPH-RK2HLTS251	37.51
3.000"		RPH-RK2HLTS301	40.77
3.500"		RPH-RK2HLTS351	48.85
4.000"		RPH-RK2HLTS401	54.58
4.500"		RPH-RK2HLTS451	59.59
5.000"		RPH-RK2HLTS501	64.65
5.500"		RPH-RK2HLTS551	70.98

GLAND CARTRIDGE KIT* - Service Class 1 (OPTIONAL)

Rod	Bore	Ref. Number	\$
0.500"		RPH-RGPAHL0051	44.70
0.625"		RPH-RGPAHL0061	45.76
1.000"		RPH-RGPAHL0101	47.11
1.375"		RPH-RGPAHL0131	57.44
1.750"		RPH-RGPAHL0171	66.54
2.000"		RPH-RGPAHL0201	83.00
2.500"		RPH-RGPAHL0251	168.76
3.000"		RPH-RGPAHL0301	125.74
3.500"		RPH-RGPAHL0351	232.13
4.000"		RPH-RGPAHL0401	306.84
4.500"		RPH-RGPAHL0451	323.91
5.000"		RPH-RGPAHL0501	360.08
5.500"		RPH-RGPAHL0551	375.18

All manufacturer's names, part numbers and descriptions are used for reference purposes only. We do not imply that any part shown is the product of these manufacturers.

Remsa [KITS]

2H/VH SERIES

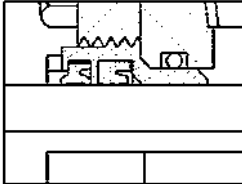
HYDRAULIC CYLINDER HEAVY DUTY

SERVICE CLASS

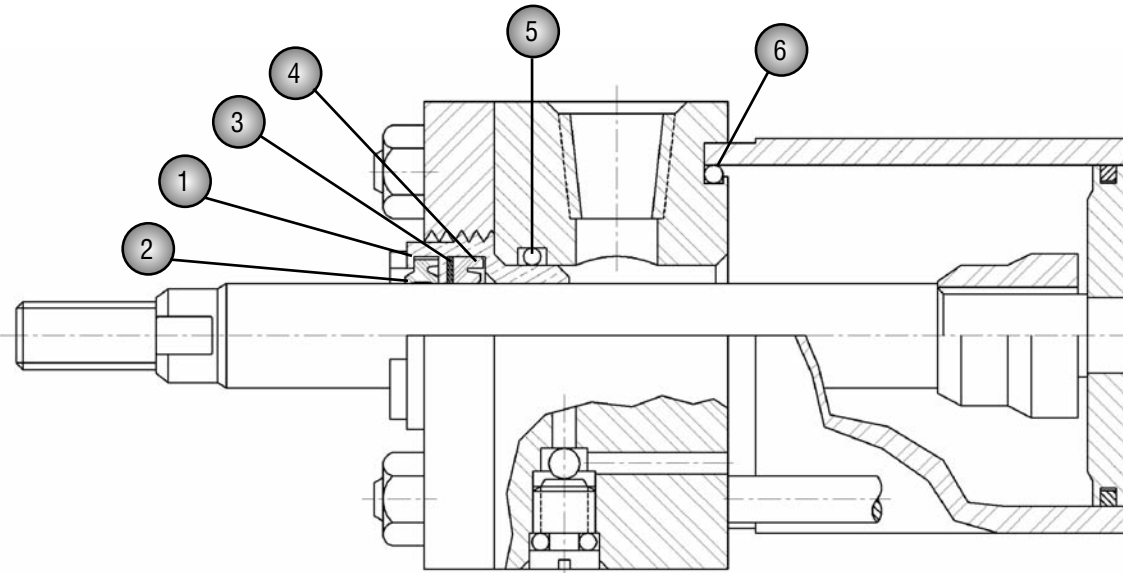
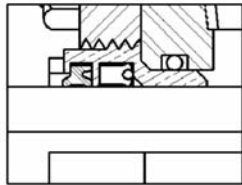
- 1- NITRILE
- 3- ETHYLENE PROPYLENE
- 5- FLUOROCARBON
- 6- CARBOXYLATED NITRILE

OPTIONS

TS Series



Polypak Series



PISTON RING KIT - Service Class 1 (6-7)

Rod	Bore	Ref. Number	\$
	1.000"	RPH-PR102H0001	66.66
	1.500"	RPH-PR152H0001	37.28
	2.000"	RPH-PR202H0001	39.78
	2.500"	RPH-PR252H0001	40.23
	3.250"	RPH-PR322H0001	43.50
	4.000"	RPH-PR402H0001	44.77
	5.000"	RPH-PR502H0001	58.98
	6.000"	RPH-PR602H0001	88.67
	7.000"	RPH-PR702H0001	99.08
	8.000"	RPH-PR802H0001	151.42
	10.000"	RPH-PR902H0001	413.69
	12.000"	RPH-PR922H0001	662.53

PISTON LIPSEAL KIT - Service Class 1 (OPTIONAL)

Rod	Bore	Ref. Number	\$
	1.000"	RPH-PK102HLL01	11.28
	1.500"	RPH-PK152HLL01	8.30
	2.000"	RPH-PK202HLL01	10.58
	2.500"	RPH-PK252HLL01	12.28
	3.250"	RPH-PK322HLL01	15.22
	4.000"	RPH-PK402HLL01	20.00
	5.000"	RPH-PK502HLL01	23.27
	6.000"	RPH-PK602HLL01	30.25
	7.000"	RPH-PK702HLL01	80.39
	8.000"	RPH-PK802HLL01	88.05
	10.000"	RPH-PK902HLL01	156.99
	12.000"	RPH-PK922HLL01	220.48

PISTON RING KIT - Service Class 5 (6-7)

Rod	Bore	Ref. Number	\$
	1.000"	RPH-PR102H0005	67.07
	1.500"	RPH-PR152H0005	43.19
	2.000"	RPH-PR202H0005	44.75
	2.500"	RPH-PR252H0005	45.39
	3.250"	RPH-PR322H0005	54.07
	4.000"	RPH-PR402H0005	55.11
	5.000"	RPH-PR502H0005	78.14
	6.000"	RPH-PR602H0005	94.56
	7.000"	RPH-PR702H0005	116.42
	8.000"	RPH-PR802H0005	161.52
	10.000"	RPH-PR902H0005	462.66
	12.000"	RPH-PR922H0005	773.28

PISTON LIPSEAL KIT - Service Class 5 (OPTIONAL)

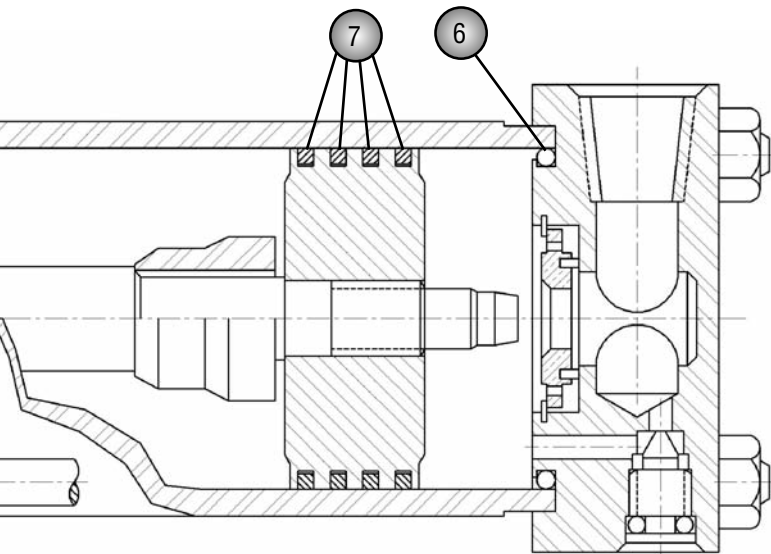
Rod	Bore	Ref. Number	\$
	1.000"	RPH-PK102HLL05	39.40
	1.500"	RPH-PK152HLL05	40.92
	2.000"	RPH-PK202HLL05	63.78
	2.500"	RPH-PK252HLL05	64.62
	3.250"	RPH-PK322HLL05	69.65
	4.000"	RPH-PK402HLL05	86.97
	5.000"	RPH-PK502HLL05	103.93
	6.000"	RPH-PK602HLL05	138.95
	7.000"	RPH-PK702HLL05	220.28
	8.000"	RPH-PK802HLL05	301.37
	10.000"	RPH-PK902HLL05	470.97
	12.000"	RPH-PK922HLL05	587.61

All manufacturer's names, part numbers and descriptions are used for reference purposes only. We do not imply that any part shown is the product of these manufacturers.

INDUSTRIAL
SEAL KITS

MOBILE
SEAL KITS

PARKER

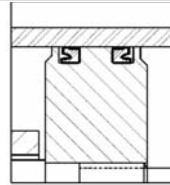


COMPONENTS

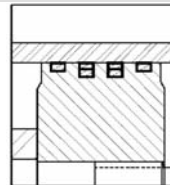
- 1-GLAND CARTRIDGE
- 2-ROD WIPER
- 3-BACK-UP RING
- 4-ROD SEAL
- 5-O'RING
- 6-BODY END - O'RING
- 7-PISTON RING

OPTIONS

Piston Lipseal



Piston Hi-Load



HI-LOAD PISTON SEAL KIT - Service Class 1 (OPTIONAL) CYLINDER BODY END KIT - Service Class 1 (6)

Rod	Bore	Ref. Number	\$
	1.500"	RPH-PK152HK001	20.34
	2.000"	RPH-PK202HK001	26.39
	2.500"	RPH-PK252HK001	25.46
	3.250"	RPH-PK322HK001	33.61
	4.000"	RPH-PK402HK001	29.27
	5.000"	RPH-PK502HK001	32.85
	6.000"	RPH-PK602HK001	60.26
	7.000"	RPH-PK702HK001	132.80
	8.000"	RPH-PK802HK001	142.23
	10.000"	RPH-PK902HK001	266.46
	12.000"	RPH-PK922HK001	545.34

Rod	Bore	Ref. Number	\$
	1.000"	RPH-CB102HL001	5.44
	1.500"	RPH-CB152HL001	5.59
	2.000"	RPH-CB202HL001	5.87
	2.500"	RPH-CB252HL001	6.11
	3.250"	RPH-CB322HL001	6.46
	4.000"	RPH-CB402HL001	6.76
	5.000"	RPH-CB502HL001	7.78
	6.000"	RPH-CB602HL001	9.26
	7.000"	RPH-CB702HL001	9.98
	8.000"	RPH-CB802HL001	11.32
	10.000"	RPH-CB902HL001	13.81
	12.000"	RPH-CB922HL001	12.49

HI-LOAD PISTON SEAL KIT - Service Class 5 (OPTIONAL) CYLINDER BODY END KIT - Service Class 5 (6)

Rod	Bore	Ref. Number	\$
	1.500"	RPH-PK152HK005	28.19
	2.000"	RPH-PK202HK005	39.94
	2.500"	RPH-PK252HK005	42.94
	3.250"	RPH-PK322HK005	94.56
	4.000"	RPH-PK402HK005	104.63
	5.000"	RPH-PK502HK005	115.78
	6.000"	RPH-PK602HK005	180.53
	7.000"	RPH-PK702HK005	267.76
	8.000"	RPH-PK802HK005	393.15
	10.000"	RPH-PK902HK005	546.75
	12.000"	RPH-PK922HK005	936.84

Rod	Bore	Ref. Number	\$
	1.000"	RPH-CB102HL005	7.64
	1.500"	RPH-CB152HL005	8.81
	2.000"	RPH-CB202HL005	13.07
	2.500"	RPH-CB252HL005	16.32
	3.250"	RPH-CB322HL005	19.83
	4.000"	RPH-CB402HL005	24.82
	5.000"	RPH-CB502HL005	35.82
	6.000"	RPH-CB602HL005	37.46
	7.000"	RPH-CB702HL005	53.74
	8.000"	RPH-CB802HL005	54.70
	10.000"	RPH-CB902HL005	60.56
	12.000"	RPH-CB922HL005	54.95

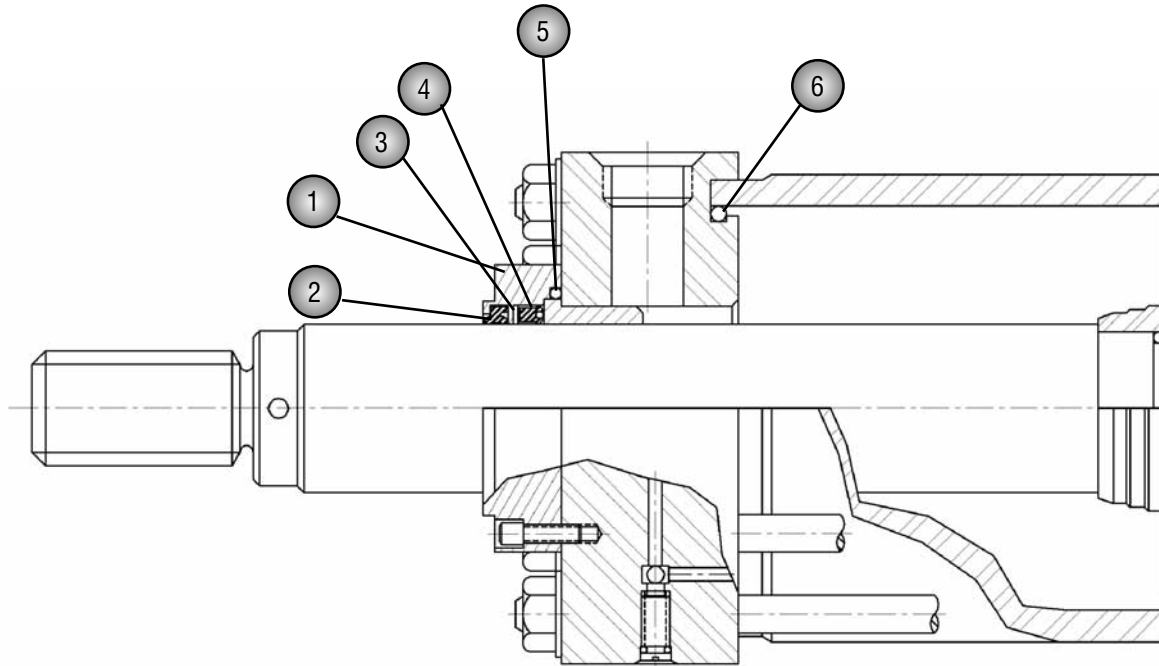
All manufacturer's names, part numbers and descriptions are used for reference purposes only. We do not imply that any part shown is the product of these manufacturers.

3H SERIES

HYDRAULIC CYLINDER HEAVY DUTY LARGE BORE

SERVICE CLASS

- 1- NITRILE
- 3- ETHYLENE PROPYLENE
- 5- FLUOROCARBON
- 6- CARBOXYLATED NITRILE



GLAND CARTRIDGE KIT - Service Class 1 (1-2-3-4-5)

Rod	Bore	Ref. Number	\$
4.500"		RPH-RG3H000451	529.58
5.000"		RPH-RG3H000501	691.58
5.500"		RPH-RG3H000551	820.01
7.000"		RPH-RG3H000701	941.55
8.000"		RPH-RG3H000801	1251.78
9.000"		RPH-RG3H000901	1490.85
10.000"		RPH-RG3H001001	1630.14

ROD SEAL KIT - Service Class 1 (1-2-3-4)

Rod	Bore	Ref. Number	\$
4.500"		RPH-RK3H000451	94.92
5.000"		RPH-RK3H000501	98.59
5.500"		RPH-RK3H000551	112.06
7.000"		RPH-RK3H000701	162.28
8.000"		RPH-RK3H000801	177.59
9.000"		RPH-RK3H000901	236.99
10.000"		RPH-RK3H001001	274.34

GLAND CARTRIDGE KIT - Service Class 5 (1-2-3-4-5)

Rod	Bore	Ref. Number	\$
4.500"		RPH-RG3H000455	729.13
5.000"		RPH-RG3H000505	1081.82
5.500"		RPH-RG3H000555	1340.69
7.000"		RPH-RG3H000705	1538.29
8.000"		RPH-RG3H000805	1932.86
9.000"		RPH-RG3H000905	1962.13
10.000"		RPH-RG3H001005	2354.34

GLAND CARTRIDGE KIT - Service Class 5 (1-2-3-4)

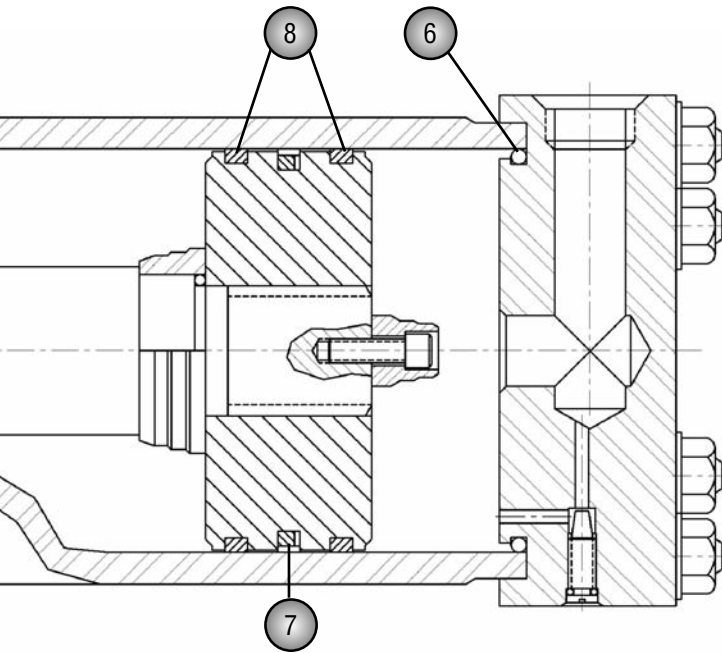
Rod	Bore	Ref. Number	\$
4.500"		RPH-RK3H000455	249.85
5.000"		RPH-RK3H000505	404.17
5.500"		RPH-RK3H000555	545.01
7.000"		RPH-RK3H000705	617.27
8.000"		RPH-RK3H000805	728.73
9.000"		RPH-RK3H000905	766.08
10.000"		RPH-RK3H001005	862.84

All manufacturer's names, part numbers and descriptions are used for reference purposes only. We do not imply that any part shown is the product of these manufacturers.

INDUSTRIAL
SEAL KITS

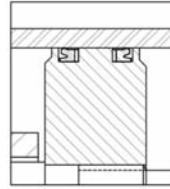
MOBILE
SEAL KITS

PARKER

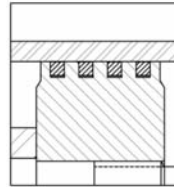


OPTIONS

Piston Lipseal



Piston Ring



COMPONENTS

- 1-GLAND CARTRIDGE
- 2-ROD WIPER
- 3-B.UP RING
- 4-ROD SEAL
- 5-O-RING
- 6-O'RING - END SEAL
- 7-PISTON SEAL
- 8-GUIDING ELEMENT

HI-LOAD PISTON SEAL KIT - Service Class 1 (6-7-8)

Rod	Bore	Ref. Number	\$
	7.000"	RPH-PK703HK001	364.36
	8.000"	RPH-PK803HK001	393.14
	10.000"	RPH-PK903HK001	439.07
	12.000"	RPH-PK923HK001	455.61
	14.000"	RPH-PK943HK001	527.25
	16.000"	RPH-PK963HK001	783.84
	18.000"	RPH-PK983HK001	1245.57
	20.000"	RPH-PK203HK001	1570.13

PISTON LIPSEAL KIT - Service Class 1 (OPTIONAL)

Rod	Bore	Ref. Number	\$
	7.000"	RPH-PK7023H001	155.54
	8.000"	RPH-PK8023H001	198.41
	10.000"	RPH-PK9023H001	211.27
	12.000"	RPH-PK9223H001	416.42
	14.000"	RPH-PK9423H001	448.26

HI-LOAD PISTON SEAL KIT - Service Class 5 (6-7-8)

Rod	Bore	Ref. Number	\$
	7.000"	RPH-PK703HK005	395.59
	8.000"	RPH-PK803HK005	473.98
	10.000"	RPH-PK903HK005	726.89
	12.000"	RPH-PK923HK005	734.24
	14.000"	RPH-PK943HK005	1067.98
	16.000"	RPH-PK963HK005	1111.46
	18.000"	RPH-PK983HK005	1452.55
	20.000"	RPH-PK203HK005	2037.37

PISTON LIPSEAL KIT - Service Class 5 (OPTIONAL)

Rod	Bore	Ref. Number	\$
	7.000"	RPH-PK7023H005	533.38
	8.000"	RPH-PK8023H005	570.73
	10.000"	RPH-PK9023H005	687.70
	12.000"	RPH-PK9223H005	725.66
	14.000"	RPH-PK9423H005	851.81

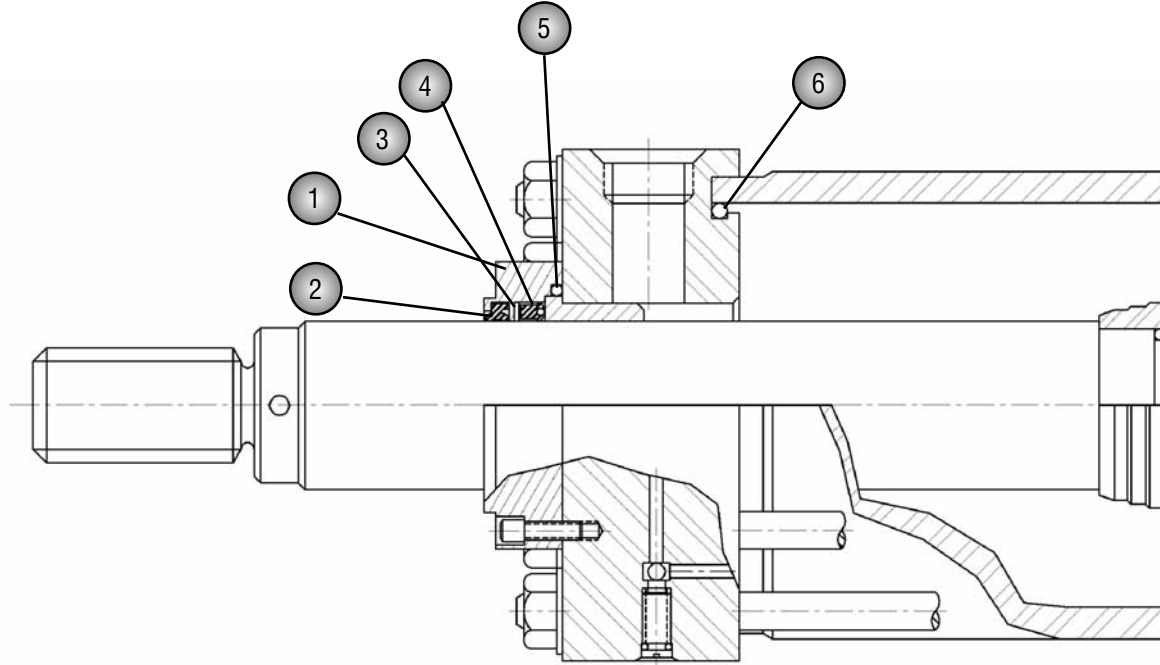
All manufacturer's names, part numbers and descriptions are used for reference purposes only. We do not imply that any part shown is the product of these manufacturers.

3H SERIES

HYDRAULIC CYLINDER HEAVY DUTY LARGE BORE

SERVICE CLASS

- 1- NITRILE
- 3- ETHYLENE PROPYLENE
- 5- FLUOROCARBON
- 6- CARBOXYLATED NITRILE



PISTON RING KIT - Service Class 1 (OPTIONAL)

Rod	Bore	Ref. Number	\$
	7.000"	RPH-PR703H0001	114.51
	8.000"	RPH-PR803H0001	162.40
	10.000"	RPH-PR9023H001	149.22
	12.000"	RPH-PR9223H001	226.95
	14.000"	RPH-PR9423H001	415.72

PISTON RING KIT - Service Class 5 (OPTIONAL)

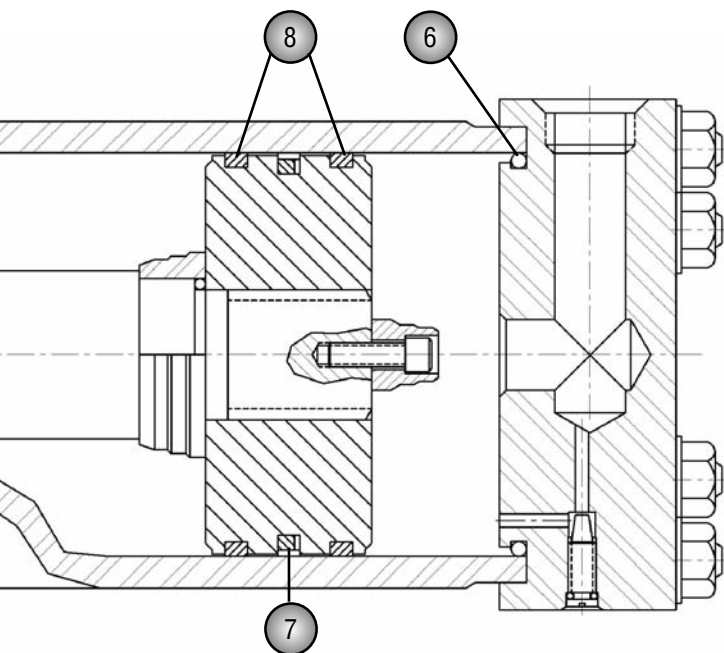
Rod	Bore	Ref. Number	\$
	7.000"	RPH-PR703H0005	131.70
	8.000"	RPH-PR803H0005	186.77
	10.000"	RPH-PR9023H005	171.59
	12.000"	RPH-PR9223H005	260.99
	14.000"	RPH-PR9423H005	478.08

All manufacturer's names, part numbers and descriptions are used for reference purposes only. We do not imply that any part shown is the product of these manufacturers.

INDUSTRIAL
SEAL KITS

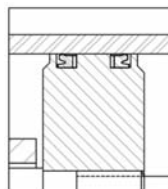
MOBILE
SEAL KITS

PARKER

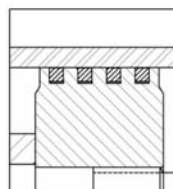


OPTIONS

Piston Lipseal



Piston Ring



COMPONENTS

- 1-GLAND CARTRIDGE
- 2-ROD WIPER
- 3-B.UP RING
- 4-ROD SEAL
- 5-O-RING
- 6-O'RING - END SEAL
- 7-PISTON SEAL
- 8-GUIDING ELEMENT

CYLINDER BODY END KIT - Service Class 1 (6)

Rod	Bore	Ref. Number	\$
	7.000"	RPH-CB703H0001	23.68
	8.000"	RPH-CB803H0001	25.52
	10.000"	RPH-CB9023H001	27.97
	12.000"	RPH-CB9223H001	44.50
	14.000"	RPH-CB9423H001	59.60
	16.000"	RPH-CB9623H001	61.65
	18.000"	RPH-CB9823H001	68.99
	20.000"	RPH-CB2023H001	72.67

CYLINDER BODY END KIT - Service Class 5 (6)

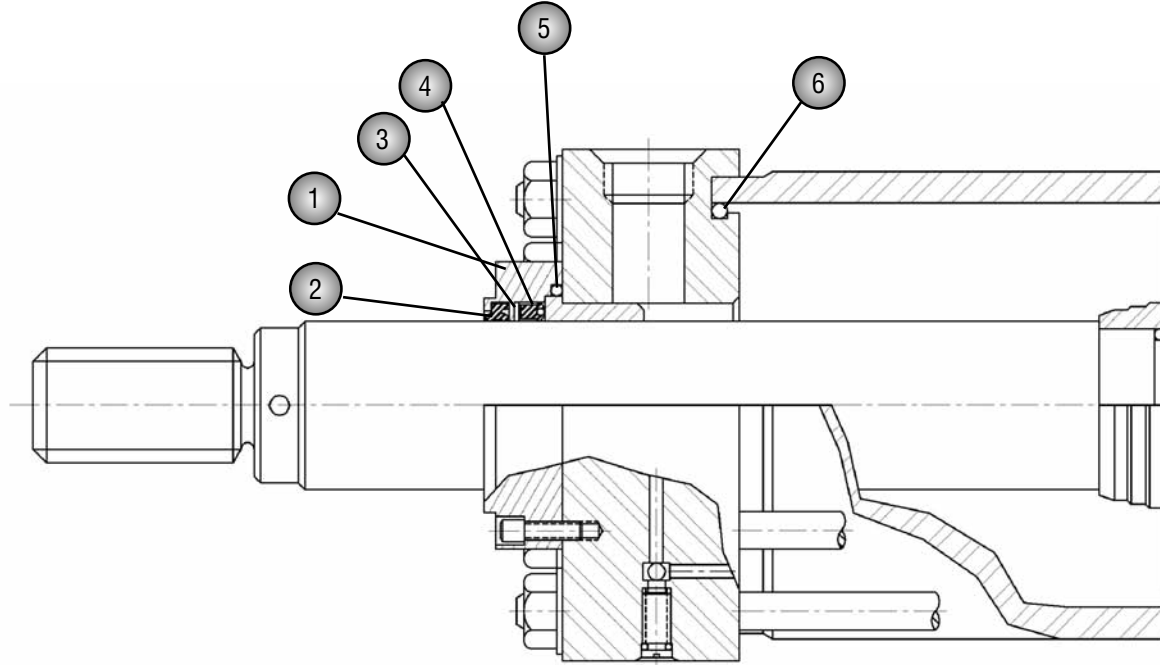
Rod	Bore	Ref. Number	\$
	7.000"	RPH-CB703H0005	44.70
	8.000"	RPH-CB803H0005	72.26
	10.000"	RPH-CB9023H005	199.23
	12.000"	RPH-CB9223H005	240.05
	14.000"	RPH-CB9423H005	263.32
	16.000"	RPH-CB9623H005	283.73
	18.000"	RPH-CB9823H005	286.18
	20.000"	RPH-CB2023H005	359.67

All manufacturer's names, part numbers and descriptions are used for reference purposes only. We do not imply that any part shown is the product of these manufacturers.

HMI SERIES HYDRAULIC CYLINDER HEAVY DUTY LARGE BORE

SERVICE CLASS

- 1- NITRILE
- 3- ETHYLENE PROPYLENE
- 5- FLUOROCARBON
- 6- CARBOXYLATED NITRILE



GLAND CARTRIDGE KIT - Service Class 1 (1-2-3-4-5)

Rod	Bore	Ref. Number	\$
12.00		RPH-RG2HM0121	50.35
14.00		RPH-RG2HM0141	71.62
18.00		RPH-RG2HM0181	69.86
22.00		RPH-RG2HM0221	67.19
28.00		RPH-RG2HM0281	66.21
36.00		RPH-RG2HM0361	70.67
45.00		RPH-RG2HM0451	78.29
56.00		RPH-RG2HM0561	144.70
70.00		RPH-RG2HM0701	212.72
90.00		RPH-RG2HM0901	313.62
110.00		RPH-RG2HM1101	650.71
140.00		RPH-RG2HM1401	706.11

ROD SEAL KIT - Service Class 1 (2-3-4-5)

Rod	Bore	Ref. Number	\$
12.00		RPH-RK2HM0121	22.86
14.00		RPH-RK2HM0141	23.56
18.00		RPH-RK2HM0181	18.23
22.00		RPH-RK2HM0221	25.37
28.00		RPH-RK2HM0281	11.47
36.00		RPH-RK2HM0361	17.42
45.00		RPH-RK2HM0451	27.82
56.00		RPH-RK2HM0561	29.70
70.00		RPH-RK2HM0701	22.81
90.00		RPH-RK2HM0901	42.85
110.00		RPH-RK2HM1101	55.32
140.00		RPH-RK2HM1401	71.80

GLAND CARTRIDGE KIT - Service Class 5 (1-2-3-4-5)

Rod	Bore	Ref. Number	\$
12.00		RPH-RG2HM0125	56.38
14.00		RPH-RG2HM0145	77.54
18.00		RPH-RG2HM0185	82.83
22.00		RPH-RG2HM0225	74.34
28.00		RPH-RG2HM0285	93.86
36.00		RPH-RG2HM0365	93.34
45.00		RPH-RG2HM0455	96.19
56.00		RPH-RG2HM0565	179.31
70.00		RPH-RG2HM0705	260.72
90.00		RPH-RG2HM0905	433.81
110.00		RPH-RG2HM1105	787.80
140.00		RPH-RG2HM1405	868.55

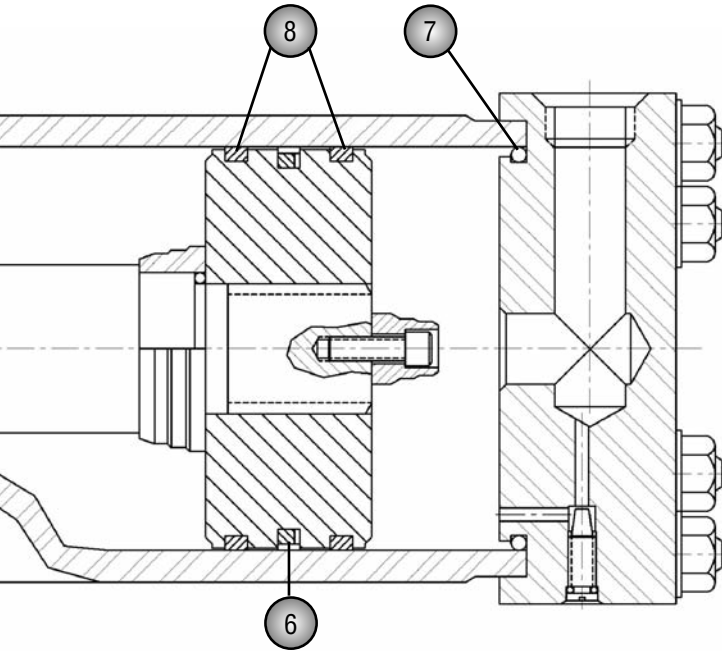
ROD SEAL KIT - Service Class 5 (2-3-4-5)

Rod	Bore	Ref. Number	\$
12.00		RPH-RK2HM0125	28.95
14.00		RPH-RK2HM0145	29.50
18.00		RPH-RK2HM0185	31.20
22.00		RPH-RK2HM0225	32.57
28.00		RPH-RK2HM0285	39.15
36.00		RPH-RK2HM0365	40.09
45.00		RPH-RK2HM0455	45.67
56.00		RPH-RK2HM0565	64.34
70.00		RPH-RK2HM0705	70.79
90.00		RPH-RK2HM0905	230.41
110.00		RPH-RK2HM1105	307.96
140.00		RPH-RK2HM1405	368.75

All manufacturer's names, part numbers and descriptions are used for reference purposes only. We do not imply that any part shown is the product of these manufacturers.

COMPONENTS

- 1-GLAND CARTRIDGE
- 2-ROD WIPER
- 3-B.UP RING
- 4-ROD SEAL
- 5-O-RING
- 6-PISTON SEAL
- 7-O'RING - END SEAL
- 8-GUIDING ELEMENT



HI-LOAD PISTON SEAL KIT - Service Class 1 (6-7-8)

Rod	Bore	Ref. Number	\$
	25.00	RPH-PN025HM001	14.37
	32.00	RPH-PN032HM001	16.87
	40.00	RPH-PN040HM001	24.77
	50.00	RPH-PN050HM001	26.96
	63.00	RPH-PN063HM001	32.29
	80.00	RPH-PN080HM001	35.52
	100.00	RPH-PN100HM001	47.34
	125.00	RPH-PN125HM001	81.86
	160.00	RPH-PN160HM001	137.14
	200.00	RPH-PN200HM001	144.46

CYLINDER BODY END KIT - Service Class 1 (7)

Rod	Bore	Ref. Number	\$
	25.00	RPH-CB025HM001	6.77
	32.00	RPH-CB032HM001	6.97
	40.00	RPH-CB040HM001	7.20
	50.00	RPH-CB050HM001	7.45
	63.00	RPH-CB063HM001	8.93
	80.00	RPH-CB080HM001	9.40
	100.00	RPH-CB100HM001	10.63
	125.00	RPH-CB125HM001	13.83
	160.00	RPH-CB160HM001	18.07
	200.00	RPH-CB200HM001	23.29

HI-LOAD PISTON SEAL KIT - Service Class 5 (6-7-8)

Rod	Bore	Ref. Number	\$
	25.00	RPH-PN025HM005	64.27
	32.00	RPH-PN032HM005	83.01
	40.00	RPH-PN040HM005	106.16
	50.00	RPH-PN050HM005	111.30
	63.00	RPH-PN063HM005	138.98
	80.00	RPH-PN080HM005	164.09
	100.00	RPH-PN100HM005	168.64
	125.00	RPH-PN125HM005	194.39
	160.00	RPH-PN160HM005	298.94
	200.00	RPH-PN200HM005	345.83

CYLINDER BODY END KIT - Service Class 5 (7)

Rod	Bore	Ref. Number	\$
	25.00	RPH-CB025HM005	12.76
	32.00	RPH-CB032HM005	13.12
	40.00	RPH-CB040HM005	13.74
	50.00	RPH-CB050HM005	17.17
	63.00	RPH-CB063HM005	17.37
	80.00	RPH-CB080HM005	17.76
	100.00	RPH-CB100HM005	26.59
	125.00	RPH-CB125HM005	34.83
	160.00	RPH-CB160HM005	60.53
	200.00	RPH-CB200HM005	93.80

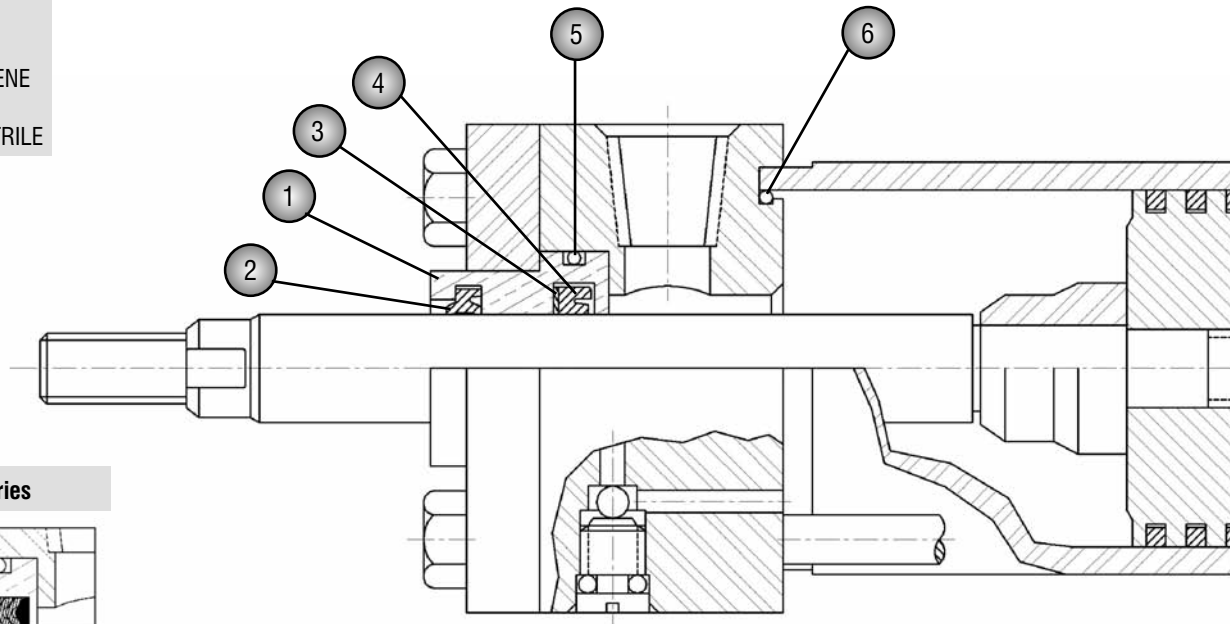
All manufacturer's names, part numbers and descriptions are used for reference purposes only. We do not imply that any part shown is the product of these manufacturers.

HD SERIES

HYDRAULIC CYLINDER HEAVY DUTY

SERVICE CLASS

- 1- NITRILE
- 3- ETHYLENE PROPYLENE
- 5- FLUOROCARBON
- 6- CARBOXYLATED NITRILE



GLAND CARTRIDGE KIT - Service Class 1 (1-2-3-4-5)

Rod	Bore	Ref. Number	\$
0.625		RPH-RG1HDL0061	65.48
1.000		RPH-RG1HDL0101	72.38
1.375		RPH-RG1HDL0131	75.81
1.750		RPH-RG1HDL0171	97.37
2.000		RPH-RG1HDL0201	119.74
2.500		RPH-RG1HDL0251	178.32
3.000		RPH-RG1HDL0301	339.42
3.500		RPH-RG1HDL0351	446.22
4.000		RPH-RG1HDL0401	567.67
5.500		RPH-RG1HDL0551	975.15

ROD SEAL KIT - Service Class 1 (2-3-4-5)

Rod	Bore	Ref. Number	\$
0.625		RPH-RK1HDL0061	18.53
1.000		RPH-RK1HDL0101	19.39
1.375		RPH-RK1HDL0131	22.41
1.750		RPH-RK1HDL0171	27.15
2.000		RPH-RK1HDL0201	30.58
2.500		RPH-RK1HDL0251	40.50
3.000		RPH-RK1HDL0301	76.67
3.500		RPH-RK1HDL0351	110.27
4.000		RPH-RK1HDL0401	130.11
5.500		RPH-RK1HDL0551	188.65

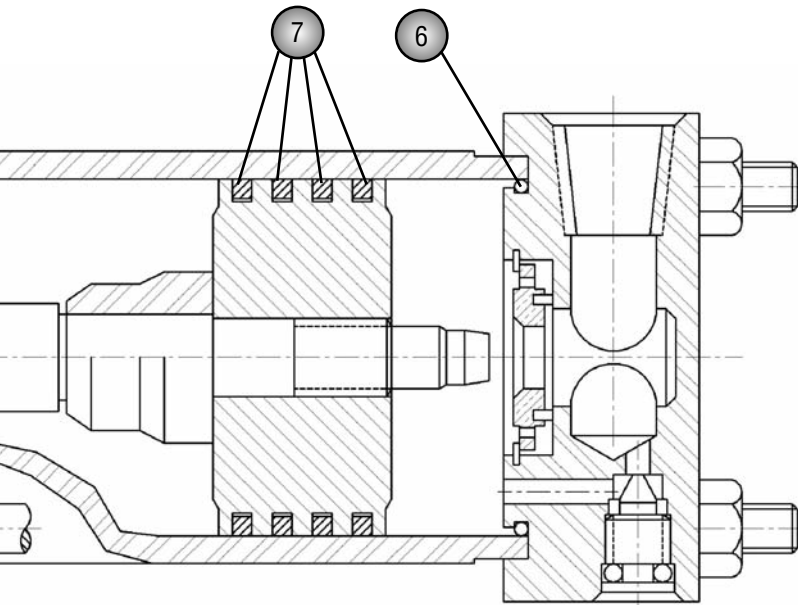
GLAND CARTRIDGE KIT - Service Class 5 (1-2-3-4-5)

Rod	Bore	Ref. Number	\$
0.625		RPH-RG1HDL0065	56.01
1.000		RPH-RG1HDL0105	78.42
1.375		RPH-RG1HDL0135	111.13
1.750		RPH-RG1HDL0175	133.54
2.000		RPH-RG1HDL0205	190.41
2.500		RPH-RG1HDL0255	311.00
3.000		N/A	
3.500		RPH-RG1HDL0355	590.94
4.000		RPH-RG1HDL0405	660.71
5.500		RPH-RG1HDL0555	1156.04

ROD SEAL KIT - Service Class 5 (2-3-4-5)

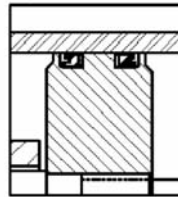
Rod	Bore	Ref. Number	\$
0.625		RPH-RK1HDL0065	30.58
1.000		RPH-RK1HDL0105	42.66
1.375		RPH-RK1HDL0135	65.03
1.750		RPH-RK1HDL0175	74.95
2.000		RPH-RK1HDL0205	111.98
2.500		RPH-RK1HDL0255	183.51
3.000		N/A	
3.500		RPH-RK1HDL0355	288.59
4.000		RPH-RK1HDL0405	331.66
5.500		RPH-RK1HDL0555	513.42

All manufacturer's names, part numbers and descriptions are used for reference purposes only. We do not imply that any part shown is the product of these manufacturers.

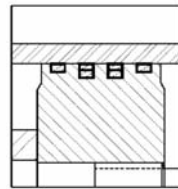


OPTIONS

Piston Lipseal



Piston Hi-Load



COMPONENTS

- 1-GLAND CARTRIDGE
- 2-ROD WIPER
- 3-B.UP RING
- 4-ROD SEAL
- 5-O-RING
- 6-O'RING - END SEAL
- 7-PISTON RING

PISTON RING KIT - Service Class 1 (6-7)

Rod	Bore	Ref. Number	\$
	1.500	RPH-PR152H0001	37.28
	2.000	RPH-PR202H0001	39.78
	2.500	RPH-PR252H0001	40.23
	3.250	RPH-PR322H0001	43.50
	4.000	RPH-PR402H0001	44.77
	5.000	RPH-PR502H0001	58.98
	6.000	RPH-PR602H0001	88.67
	8.000	RPH-PR802H0001	151.42

PISTON LIPSEAL KIT - Service Class 1 (6)

Rod	Bore	Ref. Number	\$
	1.500	RPH-PK152HLL01	8.30
	2.000	RPH-PK202HLL01	10.58
	2.500	RPH-PK252HLL01	12.28
	3.250	RPH-PK322HLL01	15.22
	4.000	RPH-PK402HLL01	20.00
	5.000	RPH-PK502HLL01	23.27
	6.000	RPH-PK602HLL01	30.25
	8.000	RPH-PK802HLL01	88.05

PISTON RING KIT - Service Class 5 (6-7)

Rod	Bore	Ref. Number	\$
	1.500	RPH-PR152H0005	43.19
	2.000	RPH-PR202H0005	44.75
	2.500	RPH-PR252H0005	45.39
	3.250	RPH-PR322H0005	54.07
	4.000	RPH-PR402H0005	55.11
	5.000	RPH-PR502H0005	78.14
	6.000	RPH-PR602H0005	94.56
	8.000	RPH-PR802H0005	161.52

PISTON LIPSEAL KIT - Service Class 5 (6)

Rod	Bore	Ref. Number	\$
	1.500	RPH-PK152HLL05	40.92
	2.000	RPH-PK202HLL05	63.78
	2.500	RPH-PK252HLL05	64.62
	3.250	RPH-PK322HLL05	69.65
	4.000	RPH-PK402HLL05	86.97
	5.000	RPH-PK502HLL05	103.93
	6.000	RPH-PK602HLL05	138.95
	8.000	RPH-PK802HLL05	301.37

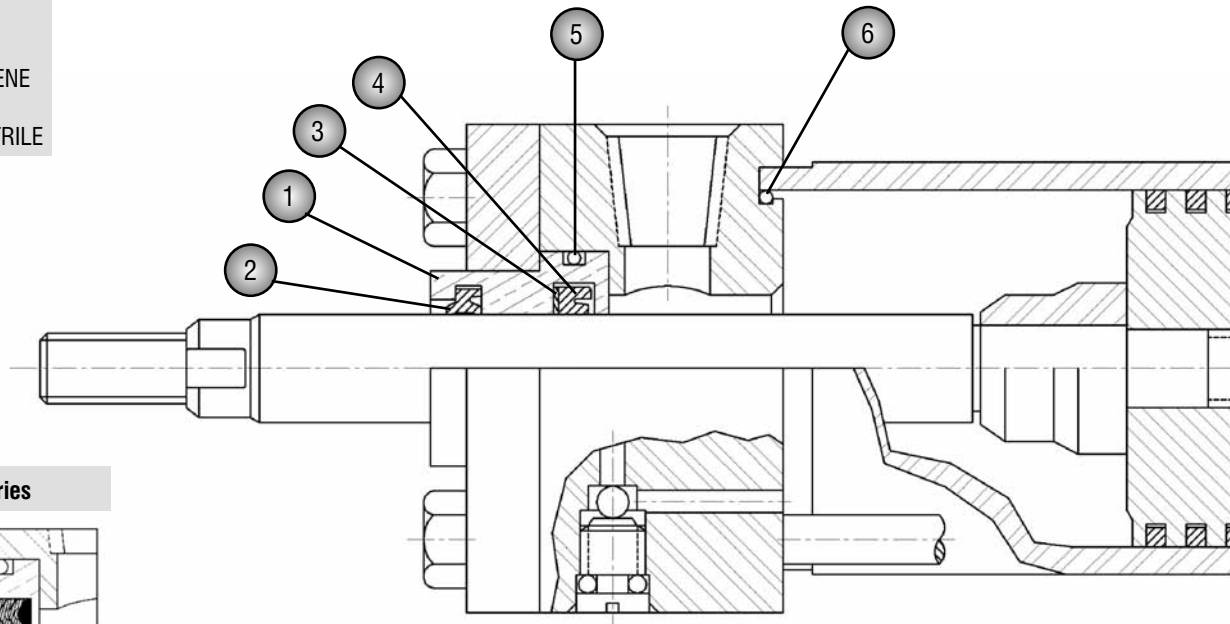
All manufacturer's names, part numbers and descriptions are used for reference purposes only. We do not imply that any part shown is the product of these manufacturers.

HD SERIES

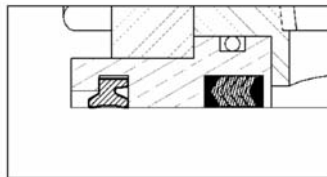
HYDRAULIC CYLINDER HEAVY DUTY

SERVICE CLASS

- 1- NITRILE
- 3- ETHYLENE PROPYLENE
- 5- FLUOROCARBON
- 6- CARBOXYLATED NITRILE



Obsolete HD Series



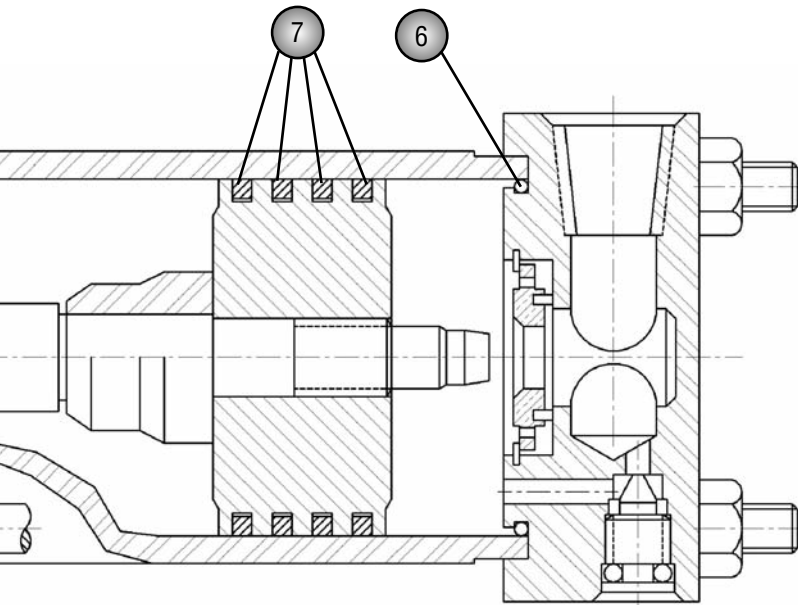
HI-LOAD PISTON SEAL KIT - Service Class 1 (OPTIONAL)

Rod	Bore	Ref. Number	\$
	1.500	RPH-PK152HK001	20.34
	2.000	RPH-PK202HK001	26.39
	2.500	RPH-PK252HK001	25.46
	3.250	RPH-PK322HK001	33.61
	4.000	RPH-PK402HK001	29.27
	5.000	RPH-PK502HK001	32.85
	6.000	RPH-PK602HK001	60.26
	8.000	RPH-PK802HK001	142.23

HI-LOAD PISTON SEAL KIT - Service Class 5 (OPTIONAL)

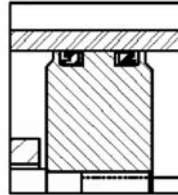
Rod	Bore	Ref. Number	\$
	1.500	RPH-PK152HK005	28.19
	2.000	RPH-PK202HK005	39.94
	2.500	RPH-PK252HK005	42.94
	3.250	RPH-PK322HK005	94.56
	4.000	RPH-PK402HK005	104.63
	5.000	RPH-PK502HK005	115.78
	6.000	RPH-PK602HK005	180.53
	8.000	RPH-PK802HK005	393.15

All manufacturer's names, part numbers and descriptions are used for reference purposes only. We do not imply that any part shown is the product of these manufacturers.

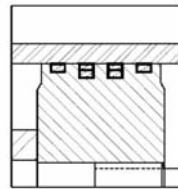


OPTIONS

Piston Lipseal



Piston Hi-Load



COMPONENTS

- 1-GLAND CARTRIDGE
- 2-ROD WIPER
- 3-B.UP RING
- 4-ROD SEAL
- 5-O-RING
- 6-O'RING - END SEAL
- 7-PISTON RING

CYLINDER BODY END KIT - Service Class 1 (6)

Rod	Bore	Ref. Number	\$
	1.500	RPH-CB152HL001	5.59
	2.000	RPH-CB202HL001	5.87
	2.500	RPH-CB252HL001	6.11
	3.250	RPH-CB322HL001	6.46
	4.000	RPH-CB402HL001	6.76
	5.000	RPH-CB502HL001	7.78
	6.000	RPH-CB602HL001	9.26
	8.000	RPH-CB802HL001	11.32

CYLINDER BODY END KIT - Service Class 5 (6)

Rod	Bore	Ref. Number	\$
	1.500	RPH-CB152HL005	8.81
	2.000	RPH-CB202HL005	13.07
	2.500	RPH-CB252HL005	16.32
	3.250	RPH-CB322HL005	19.83
	4.000	RPH-CB402HL005	24.82
	5.000	RPH-CB502HL005	35.82
	6.000	RPH-CB602HL005	37.46
	8.000	RPH-CB802HL005	54.70

All manufacturer's names, part numbers and descriptions are used for reference purposes only. We do not imply that any part shown is the product of these manufacturers.

Remsa [KITS]

**INDUSTRIAL
SEAL KITS**

**MOBILE
SEAL KITS**

PARKER

Rod	Bore	Ref. Number	\$	Rod	Bore	Ref. Number	\$
	25.00	RPH-CB025HM001	6.77		3.250"	RPH-CB322A0005	17.11
	25.00	RPH-CB025HM005	12.76		3.250"	RPH-CB322HL001	6.46
	32.00	RPH-CB032HM001	6.97		3.250"	RPH-CB322HL005	19.83
	32.00	RPH-CB032HM005	13.12		4.000"	RPH-CB4002MA01	11.74
	32.00	RPH-CB032MP001	5.51		4.000"	RPH-CB4002MA05	13.34
	32.00	RPH-CB032MP005	6.33		4.000"	RPH-CB402A0001	5.83
	40.00	RPH-CB040HM001	7.20		4.000"	RPH-CB402A0005	21.41
	40.00	RPH-CB040HM005	13.74		4.000"	RPH-CB402HL001	6.76
	40.00	RPH-CB040MP001	5.63		4.000"	RPH-CB402HL005	24.82
	40.00	RPH-CB040MP005	6.57		5.000"	RPH-CB5002MA01	15.38
	50.00	RPH-CB050HM001	7.45		5.000"	RPH-CB5002MA05	24.62
	50.00	RPH-CB050HM005	17.17		5.000"	RPH-CB502A0001	6.72
	50.00	RPH-CB050MP001	5.76		5.000"	RPH-CB502A0005	30.91
	50.00	RPH-CB050MP005	7.14		5.000"	RPH-CB502HL001	7.78
	63.00	RPH-CB063HM001	8.93		5.000"	RPH-CB502HL005	35.82
	63.00	RPH-CB063HM005	17.37		6.000"	RPH-CB6002MA01	20.47
	63.00	RPH-CB063MP001	6.33		6.000"	RPH-CB6002MA05	40.02
	63.00	RPH-CB063MP005	7.55		6.000"	RPH-CB602A0001	7.99
	80.00	RPH-CB080HM001	9.40		6.000"	RPH-CB602A0005	32.31
	80.00	RPH-CB080HM005	17.76		6.000"	RPH-CB602HL001	9.26
	80.00	RPH-CB080MP001	6.94		6.000"	RPH-CB602HL005	37.46
	80.00	RPH-CB080MP005	8.78		7.000"	RPH-CB702A0001	8.61
	100.00	RPH-CB100HM001	10.63		7.000"	RPH-CB702A0005	46.36
	100.00	RPH-CB100HM005	26.59		7.000"	RPH-CB702HL001	9.98
	100.00	RPH-CB100MP001	7.55		7.000"	RPH-CB702HL005	53.74
	100.00	RPH-CB100MP005	9.59		7.000"	RPH-CB703H0001	23.68
	1.000"	RPH-CB102HL001	5.44		7.000"	RPH-CB703H0005	44.70
	1.000"	RPH-CB102HL005	7.64		8.000"	RPH-CB8002MA01	25.00
	1.250"	RPH-CB1252MA01	3.83		8.000"	RPH-CB8002MA05	41.21
	1.250"	RPH-CB1252MA05	4.49		8.000"	RPH-CB802A0001	9.76
	125.00	RPH-CB125HM001	13.83		8.000"	RPH-CB802A0005	47.18
	125.00	RPH-CB125HM005	34.83		8.000"	RPH-CB802HL001	11.32
	125.00	RPH-CB125MP001	8.98		8.000"	RPH-CB802HL005	54.70
	125.00	RPH-CB125MP005	15.11		8.000"	RPH-CB803H0001	25.52
	1.500"	RPH-CB1502MA01	5.31		8.000"	RPH-CB803H0005	72.26
	1.500"	RPH-CB1502MA05	5.50		10.000"	RPH-CB9023H001	27.97
	1.500"	RPH-CB152HL001	5.59		10.000"	RPH-CB9023H005	199.23
	1.500"	RPH-CB152HL005	8.81		10.000"	RPH-CB902A0001	11.10
	160.00	RPH-CB160HM001	18.07		10.000"	RPH-CB902A0005	48.75
	160.00	RPH-CB160HM005	60.53		10.000"	RPH-CB902HL001	13.81
	160.00	RPH-CB160MP001	12.04		10.000"	RPH-CB902HL005	60.56
	160.00	RPH-CB160MP005	15.92		12.000"	RPH-CB9223H001	44.50
	2.000"	RPH-CB2002MA01	5.31		12.000"	RPH-CB9223H005	240.05
	2.000"	RPH-CB2002MA05	9.16		12.000"	RPH-CB922A0001	12.49
	200.00	RPH-CB200HM001	23.29		12.000"	RPH-CB922A0005	54.95
	200.00	RPH-CB200HM005	93.80		12.000"	RPH-CB922HL001	12.49
	200.00	RPH-CB200MP001	14.90		12.000"	RPH-CB922HL005	54.95
	200.00	RPH-CB200MP005	22.25		14.000"	RPH-CB9423H001	59.60
	20.000"	RPH-CB2023H001	72.67		14.000"	RPH-CB9423H005	263.32
	20.000"	RPH-CB2023H005	359.67		14.000"	RPH-CB942A0001	14.29
	2.000"	RPH-CB202HL001	5.87		14.000"	RPH-CB942A0005	62.05
	2.000"	RPH-CB202HL005	13.07		16.000"	RPH-CB9623H001	61.65
	2.500"	RPH-CB2502MA01	5.45		16.000"	RPH-CB9623H005	283.73
	2.500"	RPH-CB2502MA05	9.16		18.000"	RPH-CB9823H001	68.99
	2.500"	RPH-CB252HL001	6.11		18.000"	RPH-CB9823H005	286.18
	2.500"	RPH-CB252HL005	16.32	0.625"	1.500"	RPH-CCL7016MA1	0/R
	3.250"	RPH-CB3202MA01	7.70	1.000"	3.250"	RPH-CCL7017MA1	0/R
	3.250"	RPH-CB3202MA05	12.15	0.625"	1.500"	RPH-CHL7011MA1	0/R
	3.250"	RPH-CB322A0001	5.57	0.625"	2.000"	RPH-CHL7012MA1	0/R

All manufacturer's names, part numbers and descriptions are used for reference purposes only. We do not imply that any part shown is the product of these manufacturers.

Remsa [KITS]

**INDUSTRIAL
SEAL KITS**

**MOBILE
SEAL KITS**

PARKER

Rod	Bore	Ref. Number	\$	Rod	Bore	Ref. Number	\$
1.000"	2.000"	RPH-CHL7013MA1	0/R		160.00	RPH-PK160MP005	171.83
1.000"	3.250"	RPH-CHL7014MA1	0/R		2.000"	RPH-PK2002A001	10.58
1.375"	3.250"	RPH-CHL7015MA1	0/R		2.000"	RPH-PK2002A005	46.69
1.375"	6.000"	RPH-CHL7170MA1	0/R		2.000"	RPH-PK2002AN01	28.74
0.250	0.562	RPH-KS05LPL251	26.29		2.000"	RPH-PK2002MA01	20.35
0.250	0.562	RPH-KS05LPL255	54.95		2.000"	RPH-PK2002MA05	41.89
0.312	0.750	RPH-KS07LPL311	26.78		2.000"	RPH-PK2002ML01	18.40
0.312	0.750	RPH-KS07LPL315	56.83		200.00	RPH-PK200MP001	76.55
0.500	1.125	RPH-KS12LPL501	29.60		200.00	RPH-PK200MP005	246.95
0.500	1.125	RPH-KS12LPL505	60.09		2.000"	RPH-PK202HK001	26.39
0.625	1.500	RPH-KS15LPL621	30.99		2.000"	RPH-PK202HK005	39.94
0.625	1.500	RPH-KS15LPL625	76.55		2.000"	RPH-PK202HLL01	10.58
0.750	2.000	RPH-KS20LPL751	32.86		2.000"	RPH-PK202HLL05	63.78
0.750	2.000	RPH-KS20LPL755	95.78		2.000"	RPH-PK202HLLP1	17.98
0.750	2.500	RPH-KS25LPL751	26.78		2.000"	RPH-PK202HLLP5	67.34
0.750	2.500	RPH-KS25LPL755	107.04		20.000"	RPH-PK203HK001	1,570.13
0.875	3.000	RPH-KS30LPL781	38.99		20.000"	RPH-PK203HK005	2,037.37
0.875	3.000	RPH-KS30LPL785	169.02		2.500"	RPH-PK2502A001	12.28
1.000	4.000	RPH-KS40LPL101	42.74		2.500"	RPH-PK2502A005	65.53
1.000	4.000	RPH-KS40LPL105	188.73		2.500"	RPH-PK2502AN01	56.03
1.000	6.000"	RPH-KT060VP101	20.23		2.500"	RPH-PK2502MA01	21.82
1.000	7.000"	RPH-KT070VP101	22.46		2.500"	RPH-PK2502MA05	55.60
1.000	8.000"	RPH-KT080VP101	34.20		2.500"	RPH-PK2502ML01	19.27
1.000	10.000"	RPH-KT100VP101	42.49		2.500"	RPH-PK252HK001	25.46
	32.00	RPH-PK032MP001	26.29		2.500"	RPH-PK252HK005	42.94
	32.00	RPH-PK032MP005	52.58		2.500"	RPH-PK252HLL01	12.28
	40.00	RPH-PK040MP001	26.78		2.500"	RPH-PK252HLL05	64.62
	40.00	RPH-PK040MP005	62.46		2.500"	RPH-PK252HLLP1	18.88
	50.00	RPH-PK050MP001	27.72		2.500"	RPH-PK252HLLP5	71.21
	50.00	RPH-PK050MP005	70.42		3.250"	RPH-PK3202A001	15.22
	63.00	RPH-PK063MP001	29.11		3.250"	RPH-PK3202A005	76.47
	63.00	RPH-PK063MP005	81.69		3.250"	RPH-PK3202AN01	36.86
	80.00	RPH-PK080MP001	34.74		3.250"	RPH-PK3202MA01	26.23
	80.00	RPH-PK080MP005	106.96		3.250"	RPH-PK3202MA05	68.73
	1.000"	RPH-PK1002A001	7.65		3.250"	RPH-PK3202ML01	22.94
	1.000"	RPH-PK1002A005	29.04		3.250"	RPH-PK322HK001	33.61
	1.000"	RPH-PK1002AN01	23.15		3.250"	RPH-PK322HK005	94.56
	100.00	RPH-PK100MP001	46.01		3.250"	RPH-PK322HLL01	15.22
	100.00	RPH-PK100MP005	116.43		3.250"	RPH-PK322HLL05	69.65
	1.000"	RPH-PK102HLL01	11.28		3.250"	RPH-PK322HLLP1	25.30
	1.000"	RPH-PK102HLL05	39.40		3.250"	RPH-PK322HLLP5	131.39
	1.000"	RPH-PK102HLLP1	23.04		4.000"	RPH-PK4002A001	20.00
	1.250"	RPH-PK1252MA01	19.27		4.000"	RPH-PK4002A005	82.43
	1.250"	RPH-PK1252MA05	40.52		4.000"	RPH-PK4002AN01	43.07
	125.00	RPH-PK125MP001	55.89		4.000"	RPH-PK4002MA01	32.17
	125.00	RPH-PK125MP005	144.60		4.000"	RPH-PK4002MA05	77.86
	1.500"	RPH-PK1502A001	8.99		4.000"	RPH-PK4002ML01	32.91
	1.500"	RPH-PK1502A005	40.92		4.000"	RPH-PK402HK001	29.27
	1.500"	RPH-PK1502AN01	25.72		4.000"	RPH-PK402HK005	104.63
	1.500"	RPH-PK1502MA01	20.08		4.000"	RPH-PK402HLL01	20.00
	1.500"	RPH-PK1502MA05	39.13		4.000"	RPH-PK402HLL05	86.97
	1.500"	RPH-PK1502ML01	24.32		4.000"	RPH-PK402HLLP1	29.39
	1.500"	RPH-PK152HK001	20.34		4.000"	RPH-PK402HLLP5	154.07
	1.500"	RPH-PK152HK005	28.19		5.000"	RPH-PK5002A001	23.34
	1.500"	RPH-PK152HLL01	8.30		5.000"	RPH-PK5002A005	104.61
	1.500"	RPH-PK152HLL05	40.92		5.000"	RPH-PK5002AN01	53.93
	1.500"	RPH-PK152HLLP1	15.89		5.000"	RPH-PK5002MA01	41.61
	1.500"	RPH-PK152HLLP5	59.39		5.000"	RPH-PK5002MA05	117.83
	160.00	RPH-PK160MP001	62.91		5.000"	RPH-PK5002ML01	54.56

All manufacturer's names, part numbers and descriptions are used for reference purposes only. We do not imply that any part shown is the product of these manufacturers.

Remsa [KITS]

**INDUSTRIAL
SEAL KITS**

**MOBILE
SEAL KITS**

PARKER

Rod	Bore	Ref. Number	\$	Rod	Bore	Ref. Number	\$
	5.000"	RPH-PK502HK001	32.85		12.000"	RPH-PK9223H001	416.42
	5.000"	RPH-PK502HK005	115.78		12.000"	RPH-PK9223H005	725.66
	5.000"	RPH-PK502HLL01	23.27		12.000"	RPH-PK922HK001	545.34
	5.000"	RPH-PK502HLL05	103.93		12.000"	RPH-PK922HK005	936.84
	5.000"	RPH-PK502HLLP1	48.07		12.000"	RPH-PK922HLL01	220.48
	5.000"	RPH-PK502HLLP5	183.19		12.000"	RPH-PK922HLL05	587.61
	6.000"	RPH-PK6002A001	30.32		12.000"	RPH-PK923HK001	455.61
	6.000"	RPH-PK6002A005	139.04		12.000"	RPH-PK923HK005	734.24
	6.000"	RPH-PK6002AN01	80.67		14.000"	RPH-PK9402A001	274.01
	6.000"	RPH-PK6002MA01	55.64		14.000"	RPH-PK9402A005	960.04
	6.000"	RPH-PK6002MA05	166.89		14.000"	RPH-PK9402AN01	555.38
	6.000"	RPH-PK6002ML01	69.79		14.000"	RPH-PK9423H001	448.26
	6.000"	RPH-PK602HK001	60.26		14.000"	RPH-PK9423H005	851.81
	6.000"	RPH-PK602HK005	180.53		14.000"	RPH-PK943HK001	527.25
	6.000"	RPH-PK602HLL01	30.25		14.000"	RPH-PK943HK005	1,067.98
	6.000"	RPH-PK602HLL05	138.95		16.000"	RPH-PK963HK001	783.84
	6.000"	RPH-PK602HLLP1	72.31		16.000"	RPH-PK963HK005	1,111.46
	6.000"	RPH-PK602HLLP5	369.26		18.000"	RPH-PK983HK001	1,245.57
	7.000"	RPH-PK7002A001	75.62		18.000"	RPH-PK983HK005	1,452.55
	7.000"	RPH-PK7002A005	220.39		25.00	RPH-PN025HM001	14.37
	7.000"	RPH-PK7002AN01	117.90		25.00	RPH-PN025HM005	64.27
	7.000"	RPH-PK7023H001	155.54		32.00	RPH-PN032HM001	16.87
	7.000"	RPH-PK7023H005	533.38		32.00	RPH-PN032HM005	83.01
	7.000"	RPH-PK702HK001	132.80		40.00	RPH-PN040HM001	24.77
	7.000"	RPH-PK702HK005	267.76		40.00	RPH-PN040HM005	106.16
	7.000"	RPH-PK702HLL01	80.39		50.00	RPH-PN050HM001	26.96
	7.000"	RPH-PK702HLL05	220.28		50.00	RPH-PN050HM005	111.30
	7.000"	RPH-PK703HK001	364.36		63.00	RPH-PN063HM001	32.29
	7.000"	RPH-PK703HK005	395.59		63.00	RPH-PN063HM005	138.98
	8.000"	RPH-PK8002A001	88.05		80.00	RPH-PN080HM001	35.52
	8.000"	RPH-PK8002A005	301.37		80.00	RPH-PN080HM005	164.09
	8.000"	RPH-PK8002AN01	149.71		100.00	RPH-PN100HM001	47.34
	8.000"	RPH-PK8002MA01	98.23		100.00	RPH-PN100HM005	168.64
	8.000"	RPH-PK8002MA05	279.07		125.00	RPH-PN125HM001	81.86
	8.000"	RPH-PK8002ML01	118.92		125.00	RPH-PN125HM005	194.39
	8.000"	RPH-PK8023H001	198.41		160.00	RPH-PN160HM001	137.14
	8.000"	RPH-PK8023H005	570.73		160.00	RPH-PN160HM005	298.94
	8.000"	RPH-PK802HK001	142.23		200.00	RPH-PN200HM001	144.46
	8.000"	RPH-PK802HK005	393.15		200.00	RPH-PN200HM005	345.83
	8.000"	RPH-PK802HLL01	88.05		1.000"	RPH-PR102H0001	66.66
	8.000"	RPH-PK802HLL05	301.37		1.000"	RPH-PR102H0005	67.07
	8.000"	RPH-PK802HLLP1	88.22		1.500"	RPH-PR152H0001	37.28
	8.000"	RPH-PK802HLLP5	344.63		1.500"	RPH-PR152H0005	43.19
	8.000"	RPH-PK803HK001	393.14		2.000"	RPH-PR202H0001	39.78
	8.000"	RPH-PK803HK005	473.98		2.000"	RPH-PR202H0005	44.75
	10.000"	RPH-PK9002A001	130.40		2.500"	RPH-PR252H0001	40.23
	10.000"	RPH-PK9002A005	382.52		2.500"	RPH-PR252H0005	45.39
	10.000"	RPH-PK9002AN01	218.74		3.250"	RPH-PR322H0001	43.50
	10.000"	RPH-PK9023H001	211.27		3.250"	RPH-PR322H0005	54.07
	10.000"	RPH-PK9023H005	687.70		4.000"	RPH-PR402H0001	44.77
	10.000"	RPH-PK902HK001	266.46		4.000"	RPH-PR402H0005	55.11
	10.000"	RPH-PK902HK005	546.75		5.000"	RPH-PR502H0001	58.98
	10.000"	RPH-PK902HLL01	156.99		5.000"	RPH-PR502H0005	78.14
	10.000"	RPH-PK902HLL05	470.97		6.000"	RPH-PR602H0001	88.67
	10.000"	RPH-PK903HK001	439.07		6.000"	RPH-PR602H0005	94.56
	10.000"	RPH-PK903HK005	726.89		7.000"	RPH-PR702H0001	99.08
	12.000"	RPH-PK9202A001	177.16		7.000"	RPH-PR702H0005	116.42
	12.000"	RPH-PK9202A005	587.61		7.000"	RPH-PR703H0001	114.51
	12.000"	RPH-PK9202AN01	460.75		7.000"	RPH-PR703H0005	131.70

All manufacturer's names, part numbers and descriptions are used for reference purposes only. We do not imply that any part shown is the product of these manufacturers.

Remsa [KITS]

**INDUSTRIAL
SEAL KITS**

**MOBILE
SEAL KITS**

PARKER

Rod	Bore	Ref. Number	\$	Rod	Bore	Ref. Number	\$
	8.000"	RPH-PR802H0001	151.42	1.000"		RPH-RG2AHL0101	39.44
	8.000"	RPH-PR802H0005	161.52	1.000"		RPH-RG2AHL0105	59.39
	8.000"	RPH-PR803H0001	162.40	1.375"		RPH-RG2AHL0131	48.08
	8.000"	RPH-PR803H0005	186.77	1.375"		RPH-RG2AHL0135	74.61
	10.000"	RPH-PR9023H001	149.22	1.750"		RPH-RG2AHL0171	55.68
	10.000"	RPH-PR9023H005	171.59	1.750"		RPH-RG2AHL0175	81.47
	10.000"	RPH-PR902H0001	413.69	2.000"		RPH-RG2AHL0201	69.46
	10.000"	RPH-PR902H0005	462.66	2.000"		RPH-RG2AHL0205	96.97
	12.000"	RPH-PR9223H001	226.95	2.500"		RPH-RG2AHL0251	89.18
	12.000"	RPH-PR9223H005	260.99	2.500"		RPH-RG2AHL0255	118.49
	12.000"	RPH-PR922H0001	662.53	3.000"		RPH-RG2AHL0301	121.64
	12.000"	RPH-PR922H0005	773.28	3.000"		RPH-RG2AHL0305	143.16
	14.000"	RPH-PR9423H001	415.72	3.500"		RPH-RG2AHL0351	266.67
	14.000"	RPH-PR9423H005	478.08	3.500"		RPH-RG2AHL0355	288.99
0.500"		RPH-RG02MA0051	46.22	4.000"		RPH-RG2AHL0401	324.31
0.500"		RPH-RG02MA0055	47.93	4.000"		RPH-RG2AHL0405	340.51
0.625"		RPH-RG02MA0061	20.65	4.500"		RPH-RG2AHL0451	403.51
0.625"		RPH-RG02MA0065	35.21	4.500"		RPH-RG2AHL0455	406.84
1.000"		RPH-RG02MA0101	23.65	5.000"		RPH-RG2AHL0501	448.95
1.000"		RPH-RG02MA0105	39.01	5.000"		RPH-RG2AHL0505	508.19
1.375"		RPH-RG02MA0131	32.38	5.500"		RPH-RG2AHL0551	463.02
1.375"		RPH-RG02MA0135	56.39	5.500"		RPH-RG2AHL0555	554.64
1.750"		RPH-RG02MA0171	49.19	0.500"		RPH-RG2AN00051	51.03
1.750"		RPH-RG02MA0175	86.11	0.625"		RPH-RG2AN00061	53.11
12.00		RPH-RG0MP00121	37.11	1.000"		RPH-RG2AN00101	59.69
12.00		RPH-RG0MP00125	71.36	1.375"		RPH-RG2AN00131	63.52
16.00		RPH-RG0MP00161	42.25	1.750"		RPH-RG2AN00171	79.81
16.00		RPH-RG0MP00165	79.36	2.000"		RPH-RG2AN00201	97.16
20.00		RPH-RG0MP00201	57.77	2.500"		RPH-RG2AN00251	158.93
20.00		RPH-RG0MP00205	95.78	3.000"		RPH-RG2AN00301	241.52
25.00		RPH-RG0MP00251	109.86	3.500"		RPH-RG2AN00351	343.54
25.00		RPH-RG0MP00255	145.54	4.000"		RPH-RG2AN00401	460.14
32.00		RPH-RG0MP00321	114.55	4.500"		RPH-RG2AN00451	570.49
32.00		RPH-RG0MP00325	157.01	5.000"		RPH-RG2AN00501	680.14
40.00		RPH-RG0MP00401	131.46	5.500"		RPH-RG2AN00551	762.04
40.00		RPH-RG0MP00405	186.86	0.500"		RPH-RG2HLTS051	78.09
0.625		RPH-RG1HDL0061	65.48	0.625"		RPH-RG2HLTS061	59.87
0.625		RPH-RG1HDL0065	56.01	1.000"		RPH-RG2HLTS101	67.94
1.000		RPH-RG1HDL0101	72.38	1.375"		RPH-RG2HLTS131	79.48
1.000		RPH-RG1HDL0105	78.42	1.750"		RPH-RG2HLTS171	85.29
1.375		RPH-RG1HDL0131	75.81	2.000"		RPH-RG2HLTS201	110.92
1.375		RPH-RG1HDL0135	111.13	2.500"		RPH-RG2HLTS251	143.95
1.750		RPH-RG1HDL0171	97.37	3.000"		RPH-RG2HLTS301	178.43
1.750		RPH-RG1HDL0175	133.54	3.500"		RPH-RG2HLTS351	252.48
2.000		RPH-RG1HDL0201	119.74	4.000"		RPH-RG2HLTS401	330.01
2.000		RPH-RG1HDL0205	190.41	4.500"		RPH-RG2HLTS451	358.96
2.500		RPH-RG1HDL0251	178.32	5.000"		RPH-RG2HLTS501	473.89
2.500		RPH-RG1HDL0255	311.00	5.500"		RPH-RG2HLTS551	489.05
3.000		RPH-RG1HDL0301	339.42	12.00		RPH-RG2HM0121	50.35
3.500		RPH-RG1HDL0351	446.22	12.00		RPH-RG2HM0125	56.38
3.500		RPH-RG1HDL0355	590.94	14.00		RPH-RG2HM0141	71.62
4.000		RPH-RG1HDL0401	567.67	14.00		RPH-RG2HM0145	77.54
4.000		RPH-RG1HDL0405	660.71	18.00		RPH-RG2HM0181	69.86
5.500		RPH-RG1HDL0551	975.15	18.00		RPH-RG2HM0185	82.83
5.500		RPH-RG1HDL0555	1,156.04	22.00		RPH-RG2HM0221	67.19
0.500"		RPH-RG2AHL0051	53.26	22.00		RPH-RG2HM0225	74.34
0.500"		RPH-RG2AHL0055	68.46	28.00		RPH-RG2HM0281	66.21
0.625"		RPH-RG2AHL0061	32.17	28.00		RPH-RG2HM0285	93.86
0.625"		RPH-RG2AHL0065	52.47	36.00		RPH-RG2HM0361	70.67

All manufacturer's names, part numbers and descriptions are used for reference purposes only. We do not imply that any part shown is the product of these manufacturers.

Remsa [KITS]

**INDUSTRIAL
SEAL KITS**

**MOBILE
SEAL KITS**

PARKER

Rod	Bore	Ref. Number	\$	Rod	Bore	Ref. Number	\$
36.00		RPH-RG2HM0365	93.34	0.500"		RPH-RK02MA0055	16.11
45.00		RPH-RG2HM0451	78.29	0.625"		RPH-RK02MA0061	11.11
45.00		RPH-RG2HM0455	96.19	0.625"		RPH-RK02MA0065	16.54
56.00		RPH-RG2HM0561	144.70	1.000"		RPH-RK02MA0101	11.39
56.00		RPH-RG2HM0565	179.31	1.000"		RPH-RK02MA0105	17.08
70.00		RPH-RG2HM0701	212.72	1.375"		RPH-RK02MA0131	12.18
70.00		RPH-RG2HM0705	260.72	1.375"		RPH-RK02MA0135	21.40
90.00		RPH-RG2HM0901	313.62	1.750"		RPH-RK02MA0171	13.01
90.00		RPH-RG2HM0905	433.81	1.750"		RPH-RK02MA0175	26.90
110.00		RPH-RG2HM1101	650.71	0.625"		RPH-RK02ML0061	14.25
110.00		RPH-RG2HM1105	787.80	1.000"		RPH-RK02ML0101	14.72
140.00		RPH-RG2HM1401	706.11	1.375"		RPH-RK02ML0131	16.71
140.00		RPH-RG2HM1405	868.55	1.750"		RPH-RK02ML0171	19.09
4.500"		RPH-RG3H000451	529.58	12.00		RPH-RKOMP00121	20.21
4.500"		RPH-RG3H000455	729.13	12.00		RPH-RKOMP00125	27.72
5.000"		RPH-RG3H000501	691.58	16.00		RPH-RKOMP00161	21.60
5.000"		RPH-RG3H000505	1,081.82	16.00		RPH-RKOMP00165	28.66
5.500"		RPH-RG3H000551	820.01	20.00		RPH-RKOMP00201	23.47
5.500"		RPH-RG3H000555	1,340.69	20.00		RPH-RKOMP00205	36.17
7.000"		RPH-RG3H000701	941.55	25.00		RPH-RKOMP00251	65.73
7.000"		RPH-RG3H000705	1,538.29	25.00		RPH-RKOMP00255	91.57
8.000"		RPH-RG3H000801	1,251.78	32.00		RPH-RKOMP00321	71.85
8.000"		RPH-RG3H000805	1,932.86	32.00		RPH-RKOMP00325	92.02
9.000"		RPH-RG3H000901	1,490.85	40.00		RPH-RKOMP00401	78.10
9.000"		RPH-RG3H000905	1,962.13	40.00		RPH-RKOMP00405	117.37
10.000"		RPH-RG3H001001	1,630.14	0.625		RPH-RK1HDL0061	18.53
10.000"		RPH-RG3H001005	2,354.34	0.625		RPH-RK1HDL0065	30.58
0.625"		RPH-RGDHLTS061	74.71	1.000		RPH-RK1HDL0101	19.39
1.000"		RPH-RGDHLTS101	80.02	1.000		RPH-RK1HDL0105	42.66
1.375"		RPH-RGDHLTS131	86.75	1.375		RPH-RK1HDL0131	22.41
1.750"		RPH-RGDHLTS171	108.88	1.375		RPH-RK1HDL0135	65.03
2.000"		RPH-RGDHLTS201	130.64	1.750		RPH-RK1HDL0171	27.15
2.500"		RPH-RGDHLTS251	181.67	1.750		RPH-RK1HDL0175	74.95
3.000"		RPH-RGDHLTS301	239.03	2.000		RPH-RK1HDL0201	30.58
3.500"		RPH-RGDHLTS351	486.31	2.000		RPH-RK1HDL0205	111.98
4.000"		RPH-RGDHLTS401	547.06	2.500		RPH-RK1HDL0251	40.50
4.500"		RPH-RGDHLTS451	673.61	2.500		RPH-RK1HDL0255	183.51
5.000"		RPH-RGDHLTS501	758.53	3.000		RPH-RK1HDL0301	76.67
5.500"		RPH-RGDHLTS551	815.68	3.500		RPH-RK1HDL0351	110.27
0.625"		RPH-RGL6948MA1	40.11	3.500		RPH-RK1HDL0355	288.59
0.625"		RPH-RGL6948MA5	45.49	4.000		RPH-RK1HDL0401	130.11
1.000"		RPH-RGL6949MA1	33.65	4.000		RPH-RK1HDL0405	331.66
1.000"		RPH-RGL6949MA5	43.38	5.500		RPH-RK1HDL0551	188.65
1.375"		RPH-RGL6950MA1	39.29	5.500		RPH-RK1HDL0555	513.42
1.375"		RPH-RGL6950MA5	53.59	0.500"		RPH-RK2AHL0051	6.18
0.500"		RPH-RGPAHL0051	44.70	0.500"		RPH-RK2AHL0055	25.64
0.625"		RPH-RGPAHL0061	45.76	0.625"		RPH-RK2AHL0061	10.70
1.000"		RPH-RGPAHL0101	47.11	0.625"		RPH-RK2AHL0065	28.19
1.375"		RPH-RGPAHL0131	57.44	1.000"		RPH-RK2AHL0101	7.72
1.750"		RPH-RGPAHL0171	66.54	1.000"		RPH-RK2AHL0105	31.67
2.000"		RPH-RGPAHL0201	83.00	1.375"		RPH-RK2AHL0131	8.49
2.500"		RPH-RGPAHL0251	168.76	1.375"		RPH-RK2AHL0135	41.01
3.000"		RPH-RGPAHL0301	125.74	1.750"		RPH-RK2AHL0171	9.82
3.500"		RPH-RGPAHL0351	232.13	1.750"		RPH-RK2AHL0175	42.71
4.000"		RPH-RGPAHL0401	306.84	2.000"		RPH-RK2AHL0201	10.85
4.500"		RPH-RGPAHL0451	323.91	2.000"		RPH-RK2AHL0205	44.52
5.000"		RPH-RGPAHL0501	360.08	2.500"		RPH-RK2AHL0251	12.18
5.500"		RPH-RGPAHL0551	375.18	2.500"		RPH-RK2AHL0255	48.72
0.500"		RPH-RK02MA0051	10.77	3.000"		RPH-RK2AHL0301	15.80

All manufacturer's names, part numbers and descriptions are used for reference purposes only. We do not imply that any part shown is the product of these manufacturers.

Remsa [KITS]

**INDUSTRIAL
SEAL KITS**

**MOBILE
SEAL KITS**

PARKER

Rod	Bore	Ref. Number	\$	Rod	Bore	Ref. Number	\$
3.000"		RPH-RK2AHL0305	58.79	140.00		RPH-RK2HM1401	71.80
3.500"		RPH-RK2AHL0351	73.91	140.00		RPH-RK2HM1405	368.75
3.500"		RPH-RK2AHL0355	121.96	4.500"		RPH-RK3H000451	94.92
4.000"		RPH-RK2AHL0401	83.10	4.500"		RPH-RK3H000455	249.85
4.000"		RPH-RK2AHL0405	141.33	5.000"		RPH-RK3H000501	98.59
4.500"		RPH-RK2AHL0451	107.65	5.000"		RPH-RK3H000505	404.17
4.500"		RPH-RK2AHL0455	176.87	5.500"		RPH-RK3H000551	112.06
5.000"		RPH-RK2AHL0501	122.54	5.500"		RPH-RK3H000555	545.01
5.000"		RPH-RK2AHL0505	206.66	7.000"		RPH-RK3H000701	162.28
5.500"		RPH-RK2AHL0551	149.66	7.000"		RPH-RK3H000705	617.27
5.500"		RPH-RK2AHL0555	296.51	8.000"		RPH-RK3H000801	177.59
0.500"		RPH-RK2AN00051	22.21	8.000"		RPH-RK3H000805	728.73
0.625"		RPH-RK2AN00061	23.27	9.000"		RPH-RK3H000901	236.99
1.000"		RPH-RK2AN00101	26.74	9.000"		RPH-RK3H000905	766.08
1.375"		RPH-RK2AN00131	29.52	10.000"		RPH-RK3H001001	274.34
1.750"		RPH-RK2AN00171	34.70	10.000"		RPH-RK3H001005	862.84
2.000"		RPH-RK2AN00201	40.95	0.625"	1.500"	RPH-SKL7000MA1	17.53
2.500"		RPH-RK2AN00251	59.36	0.625"	1.500"	RPH-SKL7000MA5	49.32
3.000"		RPH-RK2AN00301	97.86	0.625"	2.000"	RPH-SKL7001MA1	17.68
3.500"		RPH-RK2AN00351	154.77	0.625"	2.000"	RPH-SKL7001MA5	51.58
4.000"		RPH-RK2AN00401	187.39	1.000"	2.000"	RPH-SKL7002MA1	17.97
4.500"		RPH-RK2AN00451	205.43	1.000"	2.000"	RPH-SKL7002MA5	53.86
5.000"		RPH-RK2AN00501	224.86	0.625"	2.500"	RPH-SKL7003MA1	23.31
5.500"		RPH-RK2AN00551	268.59	0.625"	2.500"	RPH-SKL7003MA5	63.05
0.500"		RPH-RK2HLTS051	18.41	1.000"	2.500"	RPH-SKL7004MA1	19.41
0.625"		RPH-RK2HLTS061	18.86	1.000"	2.500"	RPH-SKL7004MA5	65.33
1.000"		RPH-RK2HLTS101	22.29	1.000"	3.250"	RPH-SKL7005MA1	20.17
1.375"		RPH-RK2HLTS131	26.33	1.000"	3.250"	RPH-SKL7005MA5	69.12
1.750"		RPH-RK2HLTS171	30.60	1.375"	3.250"	RPH-SKL7006MA1	22.85
2.000"		RPH-RK2HLTS201	35.06	1.375"	3.250"	RPH-SKL7006MA5	78.86
2.500"		RPH-RK2HLTS251	37.51	1.000"	4.000"	RPH-SKL7007MA1	23.31
3.000"		RPH-RK2HLTS301	40.77	1.000"	4.000"	RPH-SKL7007MA5	81.98
3.500"		RPH-RK2HLTS351	48.85	1.375"	4.000"	RPH-SKL7008MA1	25.15
4.000"		RPH-RK2HLTS401	54.58	1.375"	4.000"	RPH-SKL7008MA5	91.78
4.500"		RPH-RK2HLTS451	59.59	1.000"	5.000"	RPH-SKL7009MA1	28.79
5.000"		RPH-RK2HLTS501	64.65	1.000"	5.000"	RPH-SKL7009MA5	99.93
5.500"		RPH-RK2HLTS551	70.98	1.375"	5.000"	RPH-SKL7010MA1	31.49
12.00		RPH-RK2HM0121	22.86	1.375"	5.000"	RPH-SKL7010MA5	109.74
12.00		RPH-RK2HM0125	28.95	1.375"	6.000"	RPH-SKL7098MA1	33.92
14.00		RPH-RK2HM0141	23.56	1.375"	6.000"	RPH-SKL7098MA5	135.41
14.00		RPH-RK2HM0145	29.50	0.250	0.562	RPH-SKS05LP251	8.57
18.00		RPH-RK2HM0181	18.23	0.250	0.562	RPH-SKS05LP255	19.27
18.00		RPH-RK2HM0185	31.20	0.312	0.750	RPH-SKS07LP311	8.94
22.00		RPH-RK2HM0221	25.37	0.312	0.750	RPH-SKS07LP315	21.15
22.00		RPH-RK2HM0225	32.57	0.500	1.125	RPH-SKS12LP501	9.10
28.00		RPH-RK2HM0281	11.47	0.500	1.125	RPH-SKS12LP505	22.54
28.00		RPH-RK2HM0285	39.15	0.625	1.500	RPH-SKS15LP621	10.04
36.00		RPH-RK2HM0361	17.42	0.625	1.500	RPH-SKS15LP625	27.72
36.00		RPH-RK2HM0365	40.09	0.750	2.000	RPH-SKS20LP751	11.27
45.00		RPH-RK2HM0451	27.82	0.750	2.000	RPH-SKS20LP755	29.11
45.00		RPH-RK2HM0455	45.67	0.750	2.500	RPH-SKS25LP751	12.21
56.00		RPH-RK2HM0561	29.70	0.750	2.500	RPH-SKS25LP755	38.50
56.00		RPH-RK2HM0565	64.34	0.875	3.000	RPH-SKS30LP781	21.15
70.00		RPH-RK2HM0701	22.81	0.875	3.000	RPH-SKS30LP785	70.91
70.00		RPH-RK2HM0705	70.79	1.000	4.000	RPH-SKS40LP101	25.84
90.00		RPH-RK2HM0901	42.85	1.000	4.000	RPH-SKS40LP105	83.12
90.00		RPH-RK2HM0905	230.41				
110.00		RPH-RK2HM1101	55.32				
110.00		RPH-RK2HM1105	307.96				

All manufacturer's names, part numbers and descriptions are used for reference purposes only. We do not imply that any part shown is the product of these manufacturers.

INDUSTRIAL
SEAL KITS

MOBILE
SEAL KITS

PARKER



All manufacturer's names, part numbers and descriptions are used for reference purposes only. We do not imply that any part shown is the product of these manufacturers.

Section		Page
MOBILE	ATLAS COPCO	KITS 114
	BARKO	KITS 115
	BROKK	KITS 116
	CATERPILLAR	KITS 117
	CHAMPION	KITS 305
	CHARLYNN	KITS 305
	CLARK	KITS 306
	COMMERCIAL INTERTECH	KITS 308
	CROSS	KITS 310
	CUSTOM HOIST	KITS 311
	DEMAG	KITS 315
	DENHARCO	KITS 316
	DRILTECH	KITS 317
	DROTT	KITS 317
	EATON YALE - TIMBERJACK	KITS 317
	EIMCO JARVIS CLARK	KITS 318
	ELPHINSTONE	KITS 319
	ESCO	KITS 319
	EUCLID TRUCKS	KITS 319
	GROVE CRANE	KITS 321
	HANNA	KITS 325
	HEIL	KITS 325
	HIAB	KITS 330
	HITACHI	KITS 333
	HYCO	KITS 374
	HYSTER	KITS 387
	HYUNDAI	KITS 388
	HYVA	KITS 389
	INGERSOLL-RAND	KITS 389
	INTERNATIONAL HARVESTER	KITS 390
	JCB	KITS 391
	J.I.CASE	KITS 403
	JOHN DEERE	KITS 443
	KATO	KITS 489
	KAWASAKI	KITS 490
	KOBELCO	KITS 490
	KOEHRING	KITS 501
	KOMATSU	KITS 502
	KRESS	KITS 550
	LEACH	KITS 550
	LETOURNEAU	KITS 551
	LIEBHERR	KITS 553
	LINK BELT	KITS 555
	LOGMAX	KITS 555
	MITSUBISHI	KITS 557
	PEABODY GALION	KITS 561
	PERFECTION-COBEY	KITS 562
	PIERCE PACIFIC	KITS 563
P&H	KITS 563	
PRENTICE	KITS 564	
RAYGO WAGNER	KITS 571	
SAMSUNG	KITS 572	
SHEFFER	KITS 573	
TAMROK	KITS 573	
TAKEUCHI	KITS 574	
TEREX	KITS 576	
TIMBERJACK	KITS 578	
TOMPKINS-JOHNSON	KITS 581	
TOYOTA	KITS 582	
UNIT RIG	KITS 584	
VICKERS	KITS 584	
VOLVO-MICHIGAN-EUCLID	KITS 585	
WARD	KITS 608	
YUTANI	KITS 609	
YOUNG	KITS 611	

All manufacturer's names, part numbers and descriptions are used for reference purposes only. We do not imply that any part shown is the product of these manufacturers.

Remsa [KITS]

KITS

ATLAS COPCO

Ref. Number	Desc.	\$	Ref. Number	Desc.	\$
RATCO-5541048600	SEAL KIT	19.15	RATCO-5541047400	REPLACEMENT PART	38.90
RATCO-3128259258	SEAL KIT	50.01	RATCO-0665100012	REPLACEMENT PART	3.83
RATCO-9121669650	SEAL KIT	76.18	RATCO-3155084400	REPLACEMENT PART	13.57
RATCO-5580003392	SEAL KIT	89.99	RATCO-0666719001	REPLACEMENT PART	17.93
RATCO-9121591350	SEAL KIT	93.65	RATCO-3115115600	REPLACEMENT PART	9.81
RATCO-5537360600	SEAL KIT	115.34	RATCO-3115169700	REPLACEMENT PART	0.86
RATCO-5580002775	SEAL KIT	225.48	RATCO-3115233300	REPLACEMENT PART	6.10
RATCO-3128307778	SEAL KIT	543.33	RATCO-0667120600	REPLACEMENT PART	13.00
RATCO-5740001181	SEAL KIT	454.81	RATCO-3115097000	REPLACEMENT PART	9.81
RATCO-3115188090	SEAL KIT	78.93	RATCO-0665099921	REPLACEMENT PART	5.96
RATCO-3115915390	SEAL KIT	91.46	RATCO-0666718800	REPLACEMENT PART	22.80
RATCO-3115915091	SEAL KIT	52.80	RATCO-31150327	REPLACEMENT PART	23.60
RATCO-50695733	SEAL KIT	48.00			
RATCO-50428648	SEAL KIT	64.00			



All manufacturer's names, part numbers and descriptions are used for reference purposes only. We do not imply that any part shown is the product of these manufacturers.

INDUSTRIAL
SEAL KITS

MOBILE
SEAL KITS

ATLAS COPCO

BARKO

KITS

INDUSTRIAL
SEAL KITS

MOBILE
SEAL KITS

BARKO

Ref. Number	Desc.	Bore	Rod	\$	Ref. Number	Desc.	Bore	Rod	\$
RBAR-55100150	O RING KIT	N/A	N/A	1.21	RBAR-55600673	O RING KIT	N/A	N/A	3.01
RBAR-55200013	O RING KIT	N/A	N/A	5.86	RBAR-55600708	SEAL KIT	7.000	4.000	83.15
RBAR-55200013P	VALVE KIT	N/A	N/A	10.57	RBAR-55600711	SEAL KIT	3.500	3.000	42.20
RBAR-55200013Q	VALVE KIT	N/A	N/A	1.21	RBAR-55600714	SEAL KIT	7.500	5.000	134.43
RBAR-55200047	O RING KIT	N/A	N/A	0.73	RBAR-55600715	SEAL KIT	7.500	4.500	136.82
RBAR-55200052	SEAL KIT	N/A	N/A	19.40	RBAR-55600717	SEAL KIT	7.000	4.000	55.85
RBAR-55200072	O RING KIT	N/A	N/A	0.61	RBAR-556007177	SEAL KIT	7.000	4.000	109.71
RBAR-55200073	O RING KIT	N/A	N/A	1.54	RBAR-55600718	SEAL KIT	7.000	4.000	91.37
RBAR-55200099	SWIVEL KIT	1.875	N/A	47.81	RBAR-55600719	SEAL KIT	6.000	4.000	58.73
RBAR-55200140	O RING KIT	N/A	N/A	1.21	RBAR-55600720	SEAL KIT	7.000	3.000	53.55
RBAR-55200150	SEAL KIT	N/A	N/A	2.35	RBAR-55600721	SEAL KIT	6.000	3.000	80.57
RBAR-55200211	HOSE COUPLING SEAL	N/A	N/A	1.98	RBAR-556007217	SEAL KIT	6.000	3.000	88.13
RBAR-55200246	O RING KIT	N/A	N/A	2.14	RBAR-55600739	O RING KIT	N/A	N/A	2.51
RBAR-55200276	SWIVEL KIT	7.000	N/A	121.18	RBAR-55600741	SEAL KIT	5.000	3.000	48.32
RBAR-55200277	SEAL KIT	3.500	2.000	27.46	RBAR-55600744	SEAL KIT	7.000	3.000	92.59
RBAR-55200278	SEAL KIT	3.500	2.000	11.34	RBAR-55600745	SEAL KIT	6.000	4.000	58.48
RBAR-55200345	SEAL KIT	5.500	3.500	175.21	RBAR-556007457	SEAL KIT	6.000	4.000	94.93
RBAR-55200346	SEAL KIT	4.000	2.500	28.51	RBAR-55600953	SEAL KIT	6.000	3.500	177.48
RBAR-55200357	TETRA SEAL	N/A	N/A	1.05	RBAR-55900098	O RING KIT	N/A	N/A	0.61
RBAR-55200358	LOADED U-CUP	N/A	N/A	1.67	RBAR-56002506	SEAL KIT	80.00	N/A	106.63
RBAR-55200365	SEAL KIT	7.000	3.000	53.95	RBAR-56300378	SEAL KIT	N/A	N/A	113.85
RBAR-55200418	SEAL KIT	3.500	2.000	34.55	RBAR-565001022	SEAL KIT	4.000	2.500	62.95
RBAR-55200420	SEAL KIT	4.500	2.500	58.83	RBAR-56500242	SWIVEL KIT	7.000	N/A	259.98
RBAR-55200424	SWIVEL KIT	3.500	N/A	26.90	RBAR-565002435	SWIVEL KIT	3.500	N/A	52.22
RBAR-55200492	O RING KIT	N/A	N/A	4.20	RBAR-56500425	O RING KIT	N/A	N/A	0.56
RBAR-55200497	O RING KIT	N/A	N/A	3.63	RBAR-56500435	O RING KIT	N/A	N/A	0.89
RBAR-55200499	SEAL KIT	4.000	2.000	104.76	RBAR-56500489	SWIVEL KIT	6.000	N/A	65.10
RBAR-55200616	SEAL KIT	6.000	2.500	173.49	RBAR-56500490	SEAL KIT	6.000	2.500	38.93
RBAR-55200617	SEAL KIT	7.000	3.000	173.57	RBAR-56500495	SWIVEL KIT	7.000	N/A	23.43
RBAR-55200636	SEAL KIT	7.000	3.000	61.99	RBAR-56500500	SEAL KIT	5.000	1.375	32.33
RBAR-55200637	SEAL KIT	6.000	2.500	68.68	RBAR-56500501	SEAL KIT	5.000	2.000	60.46
RBAR-55200641	SEAL KIT	6.000	3.000	165.41	RBAR-56500512	SEAL KIT	3.500	1.500	21.75
RBAR-55200659	SEAL KIT	6.000	3.000	98.51	RBAR-56500514	SEAL KIT	5.000	2.000	64.27
RBAR-55200660	SEAL KIT	7.000	3.000	117.16	RBAR-56500515	SEAL KIT	6.000	2.500	40.67
RBAR-55200668	SEAL KIT	3.500	2.000	43.67	RBAR-56500523	SEAL KIT	7.000	3.000	99.79
RBAR-55200669	SEAL KIT	N/A	N/A	73.11	RBAR-56500524	SEAL KIT	6.000	2.500	94.30
RBAR-55200689	SEAL KIT	6.000	2.500	105.44	RBAR-56500525	SEAL KIT	5.000	2.000	80.93
RBAR-55200712	O RING KIT	N/A	N/A	0.28	RBAR-56500531	SEAL KIT	3.500	2.000	45.49
RBAR-55200738	MOTOR SEAL KIT	N/A	N/A	78.77	RBAR-56500532	SWIVEL KIT	4.500	N/A	69.55
RBAR-55200795	SEAL KIT	5.000	2.500	40.50	RBAR-56500533	SEAL KIT	3.500	2.000	37.81
RBAR-55200796	SEAL KIT	4.500	2.500	84.78	RBAR-56500536	SEAL KIT	6.000	3.000	102.73
RBAR-55200810	SEAL KIT	4.500	2.500	58.75	RBAR-56500537	SEAL KIT	6.000	3.000	90.16
RBAR-55200811	SWIVEL KIT	7.000	N/A	78.65	RBAR-56500540	SWIVEL KIT	6.000	N/A	50.86
RBAR-55201426	SEAL KIT	N/A	N/A	6.11	RBAR-56500541	SWIVEL KIT	6.000	N/A	105.19
RBAR-55600600	SWIVEL KIT	8.000	N/A	310.67	RBAR-56500546	SEAL KIT	N/A	N/A	426.96
RBAR-55600602	SWIVEL KIT	7.000	N/A	47.92	RBAR-56500574	SEAL KIT	6.000	4.000	119.81
RBAR-55600606	SWIVEL KIT	7.000	N/A	135.84	RBAR-56500575	O RING KIT	N/A	N/A	6.60
RBAR-55600661	O RING KIT	N/A	N/A	1.62	RBAR-56500576	SWIVEL KIT	3.500	N/A	10.89

All manufacturer's names, part numbers and descriptions are used for reference purposes only. We do not imply that any part shown is the product of these manufacturers.

Remsa [KITS]

KITS

BARKO

Ref. Number	Desc.	Bore	Rod	\$	Ref. Number	Desc.	Bore	Rod	\$
RBAR-56500577	SWIVEL KIT	6.000	N/A	80.85	RBAR-65533	SEAL KIT	3.500	3.000	37.81
RBAR-56500578	SWIVEL KIT	6.000	N/A	32.33	RBAR-65536	SEAL KIT	6.000	3.000	102.73
RBAR-56500582	SWIVEL KIT	6.000	N/A	39.57	RBAR-65537	SEAL KIT	6.000	3.000	90.16
RBAR-56500583	SEAL KIT	7.000	4.000	108.93	RBAR-65541	SWIVEL KIT	6.000	N/A	58.64
RBAR-56500586	SEAL KIT	5.000	2.500	63.80	RBAR-65574	SEAL KIT	6.000	4.000	96.28
RBAR-56500588	SWIVEL KIT	5.000	N/A	45.87	RBAR-65575	VALVE SEAL KIT	N/A	N/A	2.71
RBAR-56500600	SWIVEL KIT	8.000	N/A	154.23	RBAR-65576	SEAL KIT	3.500	2.000	10.89
RBAR-56500721	SEAL KIT	6.000	3.000	62.57	RBAR-65578	SEAL KIT	3.500	2.000	32.33
RBAR-56500786	O RING KIT	N/A	N/A	0.56	RBAR-65583	SEAL KIT	7.000	4.000	108.93
RBAR-566001024K	O RING KIT	N/A	N/A	4.05	RBAR-65586	SEAL KIT	5.000	2.500	63.80
RBAR-65487	SEAL KIT	N/A	2.500	32.98	RBAR-65588	SEAL KIT	6.000	2.500	45.87
RBAR-65489	SEAL KIT	6.000	2.500	65.10	RBAR-90000606	SWIVEL KIT	7.000	N/A	135.84
RBAR-65490	SEAL KIT	5.000	1.750	38.93	RBAR-90000717	SEAL KIT	7.000	4.000	55.84
RBAR-65500K	SEAL KIT	5.000	2.000	32.33	RBAR-90000745	SEAL KIT	6.000	4.000	58.48
RBAR-65501	SEAL KIT	3.500	1.500	60.46	RBAR-90005574	SEAL KIT	6.000	4.000	171.29
RBAR-65512	SEAL KIT	5.000	2.000	21.75					
RBAR-65514	SEAL KIT	6.000	2.500	64.27					
RBAR-65515	SEAL KIT	7.000	3.000	40.67					
RBAR-65523	SEAL KIT	7.000	3.000	99.79					
RBAR-65524	SEAL KIT	6.000	2.500	94.30					
RBAR-65525	SEAL KIT	3.500	2.000	80.93					
RBAR-65531	SEAL KIT	3.500	2.000	45.49					
RBAR-65532	SEAL KIT	6.000	3.000	69.55					

KITS

BROKK AB

Ref. Number	Desc.	Bore	Rod	\$	Ref. Number	Desc.	Bore	Rod	\$
RBRO-3136708015	SEAL KIT	80.00	40.00	169.06	RBRO-3136703372	SEAL KIT	125.00	63.00	134.64
RBRO-3136104914	SEAL KIT	125.00	63.00	81.08	RBRO-3136704643	SEAL KIT	80.00	40.00	85.50
RBRO-3136105729	SEAL KIT	63.00	32.00	69.84					

All manufacturer's names, part numbers and descriptions are used for reference purposes only. We do not imply that any part shown is the product of these manufacturers.

INDUSTRIAL
SEAL KITS

MOBILE
SEAL KITS

BARKO - BROKK

CATERPILLAR












INDEX FOR SEAL KITS AND PARTS

INDUSTRIAL
SEAL KITS

MOBILE
SEAL KITS



CATERPILLAR

	AGRICULTURAL TRACTOR						KITS 120	
	35	55	65B	65E	73D	75D	85D	
	45	55B	65C	69D	75	75E	85E	
	45B	65	65D	70C	75C	85C	95E	
	ARTICULATED TRUCK						KITS 122	
	D20D	D30C	D35HPC	D250B	D300B	D350C	D400	
	D25C	D30D	D40D	D250D	D300D	D350D	D400D	
	D25D	D35C	D44B	D250E	D300E	D350E	D400E	
	ASPHALT PAVER				KITS 126			
	AP650B	AP1000	AP1055B	BG240C	BG260C			
	AP800	AP1000B	BG210B	BG245B	BG265B			
	AP800C	AP1050	BG225C	BG245C	BG270B			
	AP900B	AP1050B	BG230	BG260B	BG2455C			
	BACKHOE LOADER					KITS 129		
	416	426	428	436	438	446		
	416B	426B	428B	436B	438B	446B		
	416C	426C	428C	436C	438C			
	COLD PLANER					KITS 139		
	PM465	PM565	PM565B	PR450	PR450C	PR750C		
	EXCAVATOR						KITS 140	
	215	226	236	311	320	345B	E180	
	215B	227	245	311B	320B	350	E200B	
	215C	228	245B	312	320S	365	E240	
	215D	229	245D	312B	321B	365B	E240B	
	216	229D	246	313B	322	375	E300	
	219	231D	248	315	322B	E110	E300B	
	219D	235	301.5	315B	325	E110B	E450	
	225	235B	307	317	325B	E120	E650	
	225B	235C	307B	317B	330	E120B	E70	
	225D	235D	308B	318B	330B	E140	EL180	
	FOREST MACHINE						KITS 159	
	508	517	518C	522C	525B	528	530B	
	515	518	520D	525	527	528B	535B	
	FRONT-SHOVEL EXCAVATOR					KITS 161		
	5080	5110	5130	5130B	5230	5230B		
	INTEGRATED TOOL CARRIER					KITS 163		
	IT12	IT14B	IT14G	IT18F	IT28B	IT38F		
	IT12B	IT14F	IT18	IT24F	IT28F	IT38G		
	IT12F	IT14G	IT18B	IT28	IT28G	IT62G		
	LANDFILL COMPACTOR					KITS 167		
	816	826B	836					
	816B	826C						
	816F	826G						
	MOTOR GRADER						KITS 168	
	12G	14H	16H	120G	135H	140H	160H	
	12H	16	24H	120H	140B	143H	163H	
	14G	16G	120B	130G	140G	160G		

All manufacturer's names, part numbers and descriptions are used for reference purposes only. We do not imply that any part shown is the product of these manufacturers.

Remsa [KITS]

INDEX FOR SEAL KITS AND PARTS

CATERPILLAR

INDUSTRIAL
SEAL KITS

MOBILE
SEAL KITS



CATERPILLAR

	OFF-HIGHWAY TRUCK								KITS 177
	768B	769C	773	775D	777	785	789B	793C	
	768C	769D	773B	776B	777B	785B	789C	797	
	769	771C	773D	776C	777C	785C	793	797B	
	769B	771D	775	776D	777D	789	793B		

	PIPELAYER						KITS 184
	561B	561D	572F	583H	583R	594H	
	561C	572E	580	583K	594		

	PNEUMATIC TIRED COMPACTOR						KITS 185
	PF300	PS300	PS500				

	ROAD RECLAIMER/SOIL STABILIZER						KITS 185
	RM350	RR250	RR250B	SM350	SS250	SS250B	

	SCRAPER							KITS 186
	611	621B	623E	630B	633D	639SC	651SC	666B
	613	621E	623F	631B	633E	641	657	666SC
	613B	621F	623SC	631C	633SC	641B	657B	J621
	613C	621G	623SCG	631D	637	641SC	657E	
	613SC	621R	627	631E	637D	650	657SC	
	615	621S	627B	631G	637E	650SC	660	
	615C	621SC	627E	631SC	637G	651	660B	
	615SC	623	627F	633	637SC	651B	660SC	
	621	623B	627SC	633C	639D	651E	666	

	SOIL COMPACTOR						KITS 200
	815	815B	815F	825B	825C	825G	835

	TELEHANDLER				KITS 201
	TH62	TH63	TH82	TH83	

	TRACK LOADER							KITS 201
	931	933C	939C	943B	953B	955H	963B	977K
	931B	935B	941	951B	953C	955K	963C	977L
	931C	935C	941B	951C	955C	955L	973	983
	933	939	943	953	955E	963	973C	

	TRACK TYPE TRACTOR						KITS 202
	D2	D4H	D5TSKH	D6R	D8L	D10	
	D3	D4TSKH	D6B	D7E	D8N	D10N	
	D3B	D5	D6C	D7F	D8R	D10R	
	D3C	D5B	D6D	D7G	D9G	D11N	
	D4B	D5C	D6E	D7H	D9H	D11R	
	D4C	D5E	D6G	D7R	D9L		
	D4D	D5H	D6H	D8H	D9N		
	D4E	D5M	D6M	D8K	D9R		


	TRACTOR				KITS 224
	772	772B	776	784C	


	VIBRATORY COMPACTOR					KITS 226
	CB214B	CB214C	CB224C	CB534	CS323C	

All manufacturer's names, part numbers and descriptions are used for reference purposes only. We do not imply that any part shown is the product of these manufacturers.

CATERPILLAR

INDEX FOR SEAL KITS AND PARTS

	WHEEL DOZER						KITS 226
	236	814B	824	824C	830M	834B	854G
	814	814F	824B	824G	834	844	

	WHEEL LOADER						KITS 229	
	902	918F	930R	950B	966C	980B	98OG	G910
	906	920	930T	950E	966D	980C	990	G916
	908	924F	936	950F	966E	980F	992	G926
	910	924G	936E	950G	966F	980G	992B	G936
	910E	926	936F	960F	966G	988	992C	
	910F	926E	938F	960G	966R	988B	992D	
	910G	928F	938G	962G	970F	988F	992G	
	914G	928G	944	966A	972G	988G	994	
	916	930	950	966B	980	98OF	994D	

CATERPILLAR KIT LISTING						KITS 244
--------------------------------	--	--	--	--	--	-----------------

CATERPILLAR PARTS				KITS 259
ROD WIPER	KITS	260	RADIAL/SHPERE BEARINGS	KITS 296
ROD SEAL	KITS	267	DUO-CONE	KITS 297
PISTON SEAL	KITS	274	HYD.HOSE COUPLING SEAL	KITS 299
VEE PACKING	KITS	278	METAL BEARING	KITS 300
GUIDING ELEMENT	KITS	279	OVERSIZE HEAD SEAL	KITS 301
O'RING KIT	KITS	287	LOCK NUT	KITS 302
BACK-UPS	KITS	294	RETAINING RING	KITS 303



All manufacturer's names, part numbers and descriptions are used for reference purposes only. We do not imply that any part shown is the product of these manufacturers.



Remsa [KITS]

AGRICULTURAL TRACTORS

CATERPILLAR

Model	Application	Cylinder Group	Engineering Design Change Level	Cylinder Assembly Part No.	Bore	Rod	I	Ref. Number RCAT-	\$
							M		
35	Hitch Lift	1518881	0-up		4.000	1.750	I	1657746	105.10
	Hitch Lift	1518992	0-up		4.500	1.750	I	1657747	110.64
	Hitch Lift	1600158	0-up	1128948	4.000	1.750	I	1711168	56.15
	Hitch Lift	1600159	0-up	1135476	4.500	1.750	I	1711421	147.49
45	Hitch Lift	1518881	0-up		4.000	1.750	I	1657746	105.10
	Hitch Lift	1518992	0-up		4.500	1.750	I	1657747	110.64
	Hitch Lift	1600158	0-up	1128948	4.000	1.750	I	1711168	56.15
	Hitch Lift	1600159	0-up	1135476	4.500	1.750	I	1711421	147.49
45B	Hitch Lift	1518881	0-up		4.000	1.750	I	1657746	105.10
	Hitch Lift	1518992	0-up		4.500	1.750	I	1657747	110.64
55	Hitch Lift	1518881	0-up		4.000	1.750	I	1657746	105.10
	Hitch Lift	1518992	0-up		4.500	1.750	I	1657747	110.64
	Hitch Lift	1600158	0-up	1128948	4.000	1.750	I	1711168	56.15
	Hitch Lift	1600159	0-up	1135476	4.500	1.750	I	1711421	147.49
55B	Hitch Lift	1518881	0-up		4.000	1.750	I	1657746	105.10
	Hitch Lift	1518992	0-up		4.500	1.750	I	1657747	110.64
65	Lift	9T2230	0	9T2476	4.000	2.000	I	2406899	42.77
	Lift	9T2230	1-up	9T2476	4.000	2.000	I	2339205	48.11
	Lift	9T9517	0-up	9T9773	4.000	2.000	I	2339205	48.11
65B	Lift	9T2230	0	9T2476	4.000	2.000	I	2406899	42.77
	Lift	9T2230	1-up	9T2476	4.000	2.000	I	2339205	48.11
65C	Lift	9T9517	0-up	9T9773	4.000	2.000	I	2339205	48.11
	Belt Tensioner	6E1428	0-up	6E1421	9.250	2.750	I	2440970	288.04
	Tensioner	1504382	0-up	1504383	9.250	2.750	I	2440970	288.04
65D	Lift	9T2230	1-up	9T2476	4.000	2.000	I	2339205	48.11
	Lift	9T9517	0-up	9T9773	4.000	2.000	I	2339205	48.11
	Tensioner	1504382	0-up	1504383	9.250	2.750	I	2440970	288.04
65E	Lift	9T9517	0-up	9T9773	4.000	2.000	I	2339205	48.11
	Tensioner	1483031	0-up	6E1421	9.250	2.750	I	2440970	288.04
69D	Brake Release	9T7204	0-up		-	-	I	6E4057	10.32
	Hoist	9J4149	0-up		7.000	4.000	I	8T4772	264.11
	N/A	4T4168	0-up	9J4150	7.000	4.000	I	8T4772	264.11
	Steering	1100532	0-up	1100533	3.000	2.000	I	2384462	51.54
	Steering	9J1287	0-up	9J1301	3.750	2.375	I	2578422	114.70
	Suspension	1162836	0-up	9T6085	8.500	7.000	I	2976848	434.65
	Suspension	1162836	0-up	9T6085	8.500	7.000	I	2976848-G	218.57
	Suspension	1303921	0-up	N/A	8.000	7.000	I	3195647	807.53
	Suspension	1303921	0-up	N/A	8.000	7.000	I	3195647-G	499.43

All manufacturer's names, part numbers and descriptions are used for reference purposes only. We do not imply that any part shown is the product of these manufacturers.

INDUSTRIAL SEAL KITS

MOBILE SEAL KITS



CATERPILLAR

CATERPILLAR

AGRICULTURAL TRACTORS

Model	Application	Cylinder Group	Engineering Design Change Level	Cylinder Assembly Part No.	Bore	Rod	I	Ref. Number RCAT-	\$
							M		
70C	Belt Tensioner	6E1428	0-up	6E1421	9.250	2.750	I	2440970	288.04
	Lift	9T9517	0-up	9T9773	4.000	2.000	I	2339205	48.11
	Tensioner	1504382	0-up	1504383	9.250	2.750	I	2440970	288.04
73D	Brake Release	9T7204	0-up		-	-	I	6E4057	10.32
	Braking	1131824	0-up		-	-	I	1345986	158.95
	Hoist	1455155	0-up	9J2539	8.250	5.000	I	8T9042	382.18
	Hoist	9J2017	3-up	9J2539	8.250	5.000	I	8T9042	382.18
	Hoist	9T3122	0-up	9J2539	8.250	5.000	I	8T9042	382.18
	Steering RH	7J7686	0-up	7J7684	4.000	2.375	I	2418925	65.77
	Suspension	1162837	0-up	9T6081	8.500	7.000	I	2976848	434.65
	Suspension	1162837	0-up	9T6081	8.500	7.000	I	2976848-G	218.57
	Suspension	1163092	0-up		8.000	7.000	I	1137478	665.93
Suspension	1163092	0-up		8.000	7.000	I	1137478-G	641.99	
	Suspension Front	1U4777	8-up	1007415	8.000	7.000	I	1137478	665.93
	Suspension Front	1U4777	8-up	1007415	8.000	7.000	I	1137478-G	641.99
	Suspension Rear	9T6082	0-up	9T6081	8.500	7.000	I	2976848	434.65
	Suspension Rear	9T6082	0-up	9T6081	8.500	7.000	I	2976848-G	218.57
	Lift	9T2230	0	9T2476	4.000	2.000	I	2406899	42.77
	Lift	9T2230	1-up	9T2476	4.000	2.000	I	2339205	48.11
75	Lift	9T9517	0-up	9T9773	4.000	2.000	I	2339205	48.11
	Belt Tensioner	6E1428	0-up	6E1421	9.250	2.750	I	2440970	288.04
	Lift	9T9517	0-up	9T9773	4.000	2.000	I	2339205	48.11
75C	Lift	9T9517	0-up	9T9773	4.000	2.000	I	2339205	48.11
	Tensioner	1504382	0-up	1504383	9.250	2.750	I	2440970	288.04
	Belt Tensioner	6E1428	0-up	6E1421	9.250	2.750	I	2440970	288.04
75D	Lift	9T9517	0-up	9T9773	4.000	2.000	I	2339205	48.11
	Tensioner	1504382	0-up	1504383	9.250	2.750	I	2440970	288.04
	Lift	9T9517	0-up	9T9773	4.000	2.000	I	2339205	48.11
75E	Lift	9T9517	0-up	9T9773	4.000	2.000	I	2339205	48.11
	Tensioner	1483031	0-up	6E1421	9.250	2.750	I	2440970	288.04
85C	Belt Tensioner	6E1428	0-up	6E1421	9.250	2.750	I	2440970	288.04
	Lift	9T9517	0-up	9T9773	4.000	2.000	I	2339205	48.11
85D	Tensioner	1504382	0-up	1504383	9.250	2.750	I	2440970	288.04
	Belt Tensioner	6E1428	0-up	6E1421	9.250	2.750	I	2440970	288.04
	Tensioner	1504382	0-up	1504383	9.250	2.750	I	2440970	288.04
85E	Tensioner	1483031	0-up	6E1421	9.250	2.750	I	2440970	288.04
95E	Tensioner	1483031	0-up	6E1421	9.250	2.750	I	2440970	288.04

All manufacturer's names, part numbers and descriptions are used for reference purposes only. We do not imply that any part shown is the product of these manufacturers.

INDUSTRIAL
SEAL KITS

MOBILE
SEAL KITS



CATERPILLAR

Remsa [KITS]

ARTICULATED TRUCK

CATERPILLAR

Model	Application	Cylinder Group	Engineering Design Change Level	Cylinder Assembly Part No.	Bore	Rod	I	Ref. Number RCAT-	\$
							M		
D20D	Hoist	7U7400	0-up	7U8027	4.500	2.750	I	7U8058	121.36
	Suspension	1340006	0-up		4.500	4.000	I	2463425	195.52
	Suspension	7U7230	10-up	7U8517	4.500	4.000	I	2463425	195.52
D25C	Hoist	5U7777	0-up		5.500	3.500	I	5U7775	270.25
	Steering	7U2910	0-up		4.500	2.000	I	6U9552	98.73
	Suspension Front	6U4161	0-up		4.500	4.000	I	1045008	233.76
	Suspension Rear	7U9508	0-up		4.500	4.000	I	1045008	233.76
D25D	Hoist	5U7777	0-up		5.500	3.500	I	5U7775	270.25
	Steering	1433299	0-up	1433300	4.500	2.000	I	1857699	180.72
	Steering	1453620	0-up	1433300	4.500	2.000	I	2409942	77.83
	Steering	7U2910	0-up		4.500	2.000	I	6U9552	98.73
	Suspension	1049660	0-up	1159519	4.500	3.500	I	1417975	222.63
	Suspension	1511179	0-up	1159519	4.500	3.500	I	2460636	204.76
	Suspension Rear	7U9538	0-up		4.500	2.000	I	1857699	180.72
D30C	Hoist	5U7777	0-up		5.500	3.500	I	5U7775	270.25
	Steering	7U2910	0-up		4.500	2.000	I	6U9552	98.73
	Suspension Front	6U4161	0-up		4.500	4.000	I	1045008	233.76
	Suspension Rear	7U9508	0-up		4.500	4.000	I	1045008	233.76
D30D	Hoist	5U7777	0-up		5.500	3.500	I	5U7775	270.25
	Steering	1433299	0-up	1433300	4.500	2.000	I	1857699	180.72
	Steering	1453620	0-up	1433300	4.500	2.000	I	2409942	77.83
	Steering	7U2910	0-up		4.500	2.000	I	6U9552	98.73
	Suspension	1049660	0-up	1159519	4.500	3.500	I	1417975	222.63
	Suspension	1511179	0-up	1159519	4.500	3.500	I	2460636	204.76
	Suspension	2U9448	0-up		4.500	4.000	I	1045008	233.76
	Suspension Rear	7U9508	0-up		4.500	4.000	I	1045008	233.76
D35C	Suspension Rear	7U9538	0-up		4.500	2.000	I	1857699	180.72
	Hoist	5U7777	0-up		5.500	3.500	I	5U7775	270.25
	Steering	7U2910	0-up		4.500	2.000	I	6U9552	98.73
	Suspension Front	6U4161	0-up		4.500	4.000	I	1045008	233.76
	Suspension Trailer	6U4600	0-up		5.500	3.500	I	6U4788	251.78
D35HPC	Hoist	5U7777	0-up		5.500	3.500	I	5U7775	270.25
	Steering	7U2910	0-up		4.500	2.000	I	6U9552	98.73
	Suspension Front	6U4161	0-up		4.500	4.000	I	1045008	233.76
	Suspension Tractor	6U4385	0-up	5U3564	4.500	3.500	I	5U5413	241.04
	Suspension Trailer	6U4600	0-up		5.500	3.500	I	6U4788	251.78

All manufacturer's names, part numbers and descriptions are used for reference purposes only. We do not imply that any part shown is the product of these manufacturers.

INDUSTRIAL SEAL KITS

MOBILE SEAL KITS



CATERPILLAR

CATERPILLAR

ARTICULATED TRUCK

Model	Application	Cylinder Group	Engineering Design Change Level	Cylinder Assembly Part No.	Bore	Rod	I	Ref. Number RCAT-	\$
							M		
D40D	Hoist	7U3500	0-up	7U4173	5.250	2.000	I	7U5074	278.41
	Steering	1433299	0-up	1433300	4.500	2.000	I	1857699	180.72
	Steering	1453620	0-up	1433300	4.500	2.000	I	2409942	77.83
	Steering	7U2910	0-up		4.500	2.000	I	6U9552	98.73
	Suspension	1049660	0-up	1159519	4.500	3.500	I	1417975	222.63
	Suspension	1511179	0-up	1159519	4.500	3.500	I	2460636	204.76
	Suspension Rear	7U9538	0-up		4.500	2.000	I	1857699	180.72
	Suspension Trailer	6U4600	0-up		5.500	3.500	I	6U4788	251.78
D44B	Steering	5U6870	0-up		5.500	3.500	I	6U4788	251.78
	Suspension Tractor	5U6869	0-up		5.500	3.500	I	6U4788	251.78
	Suspension Trailer	6U4600	0-up		5.500	3.500	I	6U4788	251.78
D250B	Hoist	1434850	1-up	1597616	5.500	3.500	I	2456825	197.04
	Hoist	5U7773	0-up		5.500	3.500	I	5U7775	270.25
	Steering	5U9000	0-up		4.500	2.000	I	6U9552	98.73
	Suspension	6U3250	0-up		4.250	3.500	I	7U6672	130.20
	Tailgate	1512611	0-up		3.000	2.000	I	2384462	51.54
D250D	Hoist	1478507	0-up	1219214	4.000	2.750	I	2440971	132.53
	Suspension	1340006	0-up		4.500	4.000	I	2463425	195.52
	Suspension	7U7230	10-up	7U8517	4.500	4.000	I	2463425	195.52
	Tailgate	1512611	0-up		3.000	2.000	I	2384462	51.54
D250E	Hoist	1218785	0-up	1219214	4.000	2.750	I	1915027	1195.11
	Hoist	1256187	0-up	1269075	4.000	3.000	I	2440976	170.58
	Hoist	1478507	0-up	1219214	4.000	2.750	I	2440971	132.53
	N/A	1447657	0-up	1451027	4.500	4.000	I	2463425	195.52
	Steering	1185432	0-up	1193960	4.000	2.000	I	1857687	125.12
	Steering	1466651	0-up		4.000	2.000	I	1857687	125.12
	Suspension	1340006	0-up		4.500	4.000	I	2463425	195.52
	Suspension	7U7230	10-up	7U8517	4.500	4.000	I	2463425	195.52
	Tailgate	1512611	0-up		3.000	2.000	I	2384462	51.54
	D300B	Hoist	1434850	1-up	1597616	5.500	3.500	I	2456825
Hoist		5U7773	0-up		5.500	3.500	I	5U7775	270.25
	Steering	5U9000	0-up		4.500	2.000	I	6U9552	98.73
	Suspension	6U3250	0-up		4.250	3.500	I	7U6672	130.20
	Tailgate	1512611	0-up		3.000	2.000	I	2384462	51.54
D300D	Hoist	7U8686	0-up	7U8685	5.000	3.500	I	7U8697	158.32
	Steering	7U8331	0-up		4.000	2.000	I	7U8423	116.63
	Tailgate	1512611	0-up		3.000	2.000	I	2384462	51.54

All manufacturer's names, part numbers and descriptions are used for reference purposes only. We do not imply that any part shown is the product of these manufacturers.

INDUSTRIAL
SEAL KITS

MOBILE
SEAL KITS



CATERPILLAR

ARTICULATED TRUCK

CATERPILLAR

Model	Application	Cylinder Group	Engineering Design Change Level	Cylinder Assembly Part No.	Bore	Rod	I	Ref. Number RCAT-	\$	
							M			
D300E	Hoist	1256188	0-up	1264071	4.500	3.500	I	2456840	231.92	
	N/A	1447657	0-up	1451027	4.500	4.000	I	2463425	195.52	
	Steering	1185432	0-up	1193960	4.000	2.000	I	1857687	125.12	
	Steering	1466651	0-up		4.000	2.000	I	1857687	125.12	
	Suspension	1340006	0-up		4.500	4.000	I	2463425	195.52	
	Suspension	7U7230	10-up	7U8517	4.500	4.000	I	2463425	195.52	
	Tailgate	1512611	0-up		3.000	2.000	I	2384462	51.54	
D350C	Hoist	1434850	1-up	1597616	5.500	3.500	I	2456825	197.04	
	Hoist	5U7773	0-up		5.500	3.500	I	5U7775	270.25	
	Steering	7U2910	0-up		4.500	2.000	I	6U9552	98.73	
	Suspension	7U2476	0-up		4.500	4.000	I	7U2486	271.10	
	Suspension Front	6U4161	0-up		4.500	4.000	I	1045008	233.76	
	Tailgate	1512611	0-up		3.000	2.000	I	2384462	51.54	
D350D	Hoist	1434850	1-up	1597616	5.500	3.500	I	2456825	197.04	
	Hoist	5U7773	0-up		5.500	3.500	I	5U7775	270.25	
	Steering	1433299	0-up	1433300	4.500	2.000	I	1857699	180.72	
	Steering	1453620	0-up	1433300	4.500	2.000	I	2409942	77.83	
	Steering	7U2910	0-up		4.500	2.000	I	6U9552	98.73	
	Suspension	1049660	0-up	1159519	4.500	3.500	I	1417975	222.63	
	Suspension	1331584	0-up	1331258	4.500	4.000	I	2463426	148.86	
	Suspension	1511179	0-up	1159519	4.500	3.500	I	2460636	204.76	
	Suspension	2UB060	2-up	1352996	4.500	4.000	I	1045008	233.76	
		Suspension	7U2476	0-up		4.500	4.000	I	7U2486	271.10
	Suspension Rear	7U9538	0-up		4.500	2.000	I	1857699	180.72	
	Tailgate	1512611	0-up		3.000	2.000	I	2384462	51.54	
	Hoist	1434850	1-up	1597616	5.500	3.500	I	2456825	197.04	
D350E	Hoist	5U7773	0-up		5.500	3.500	I	5U7775	270.25	
	Steering	1433299	0-up	1433300	4.500	2.000	I	1857699	180.72	
	Steering	1453620	0-up	1433300	4.500	2.000	I	2409942	77.83	
	Steering	7U2910	0-up		4.500	2.000	I	6U9552	98.73	
	Suspension	1049660	0-up	1159519	4.500	3.500	I	1417975	222.63	
	Suspension	1331584	0-up	1331258	4.500	4.000	I	2463426	148.86	
	Suspension	1511179	0-up	1159519	4.500	3.500	I	2460636	204.76	
		Suspension	2U8060	2-up	1352996	4.500	4.000	I	1045008	233.76
		Suspension	7U2476	0-up		4.500	4.000	I	7U2486	271.10
		Suspension Rear	7U9538	0-up		4.500	2.000	I	1857699	180.72
	Tailgate	1512611	0-up		3.000	2.000	I	2384462	51.54	
D400	Hoist	1434850	1-up	1597616	5.500	3.500	I	2456825	197.04	
	Hoist	5U7773	0-up		5.500	3.500	I	5U7775	270.25	
	Steering	7U2910	0-up		4.500	2.000	I	6U9552	98.73	
	Suspension	7U2476	0-up		4.500	4.000	I	7U2486	271.10	
	Suspension Front	6U4161	0-up		4.500	4.000	I	1045008	233.76	
	Tailgate	1512611	0-up		3.000	2.000	I	2384462	51.54	

All manufacturer's names, part numbers and descriptions are used for reference purposes only. We do not imply that any part shown is the product of these manufacturers.

INDUSTRIAL SEAL KITS

MOBILE SEAL KITS



CATERPILLAR

CATERPILLAR

ARTICULATED TRUCK

INDUSTRIAL
SEAL KITS

MOBILE
SEAL KITS



CATERPILLAR

Model	Application	Cylinder Group	Engineering Design Change Level	Cylinder Assembly Part No.	Bore	Rod	I	Ref. Number RCAT-	\$	
							M			
D400D	Hoist	1434850	1-up	1597616	5.500	3.500	I	2456825	197.04	
	Hoist	5U7773	0-up		5.500	3.500	I	5U7775	270.25	
	Steering	1433299	0-up	1433300	4.500	2.000	I	1857699	180.72	
	Steering	1453620	0-up	1433300	4.500	2.000	I	2409942	77.83	
	Steering	7U2910	0-up		4.500	2.000	I	6U9552	98.73	
	Suspension	1049660	0-up	1159519	4.500	3.500	I	1417975	222.63	
	Suspension	1331584	0-up	1331258	4.500	4.000	I	2463426	148.86	
	Suspension	1511179	0-up	1159519	4.500	3.500	I	2460636	204.76	
	Suspension	2U8060	2-up	1352996	4.500	4.000	I	1045008	233.76	
	Suspension	7U2476	0-up		4.500	4.000	I	7U2486	271.10	
	Suspension Rear	7U9538	0-up		4.500	2.000	I	1857699	180.72	
	Tailgate	1512611	0-up		3.000	2.000	I	2384462	51.54	
	D400E	Hoist	1434850	1-up	1597616	5.500	3.500	I	2456825	197.04
		Hoist	5U7773	0-up		5.500	3.500	I	5U7775	270.25
Steering		1433299	0-up	1433300	4.500	2.000	I	1857699	180.72	
Steering		1453620	0-up	1433300	4.500	2.000	I	2409942	77.83	
Steering		7U2910	0-up		4.500	2.000	I	6U9552	98.73	
Suspension		1049660	0-up	1159519	4.500	3.500	I	1417975	222.63	
Suspension		1331584	0-up	1331258	4.500	4.000	I	2463426	148.86	
Suspension		1511179	0-up	1159519	4.500	3.500	I	2460636	204.76	
Suspension		2U6060	2-up	1352996	4.500	4.000	I	1045008	233.76	
Suspension		7U2476	0-up		4.500	4.000	I	7U2486	271.10	
Suspension Rear		7U9538	0-up		4.500	2.000	I	1857699	180.72	
Tailgate		1512611	0-up		3.000	2.000	I	2384462	51.54	
D550B		Steering	5U6870	0-up		5.500	3.500	I	6U4788	251.78
		Suspension Tractor	5U6869	0-up		5.500	3.500	I	6U4788	251.78

All manufacturer's names, part numbers and descriptions are used for reference purposes only. We do not imply that any part shown is the product of these manufacturers.

Remsa [KITS]

ASPHALT PAVER

CATERPILLAR

Model	Application	Cylinder Group	Engineering Design Change Level	Cylinder Assembly Part No.	Bore	Rod	I	Ref. Number RCAT-	\$
							M		
AP650B	Hitch	1338683	0-up		-	-	I	810653	166.12
	N/A	1330959	0-up		2.875	1.000	I	1130911	122.60
	N/A	1350218	0-up		-	-	I	1350219	91.07
	N/A	1350220	0-up		2.500	-	I	1350221	39.13
	N/A	1359444	0-up		-	-	I	1350219	91.07
	N/A	1359444	1-up		-	-	I	1795934	153.00
AP800	Tilt	1350217	0-up		-	-	I	1350219	91.07
AP800C	Hitch	1338683	0-up		-	-	I	810653	166.12
	Tilt	1070473	0-up		2.875	1.000	I	1130911	122.60
	Tilt	1330959	0-up		2.875	1.000	I	1130911	122.60
	Tilt	1350217	0-up		-	-	I	1350219	91.07
	Tilt	1350218	0-up		-	-	I	1350219	91.07
	Tilt	1350220	0-up		2.500	-	I	1350221	39.13
	Tilt	1359444	0-up		-	-	I	1350219	91.07
	Tilt	1359444	1-up		-	-	I	1795934	153.00
AP900B	Hitch	1338683	0-up		-	-	I	810653	166.12
	Tilt	1330959	0-up		2.875	1.000	I	1130911	122.60
	Tilt	1350217	0-up		-	-	I	1350219	91.07
	Tilt	1350220	0-up		2.500	-	I	1350221	39.13
	Tilt	1359444	0-up		-	-	I	1350219	91.07
	Tilt	1359444	1-up		-	-	I	1795934	153.00
AP1000	Hitch	1338683	0-up		-	-	I	810653	166.12
	N/A	1350217	0-up		-	-	I	1350219	91.07
	Tow Point	0819292	0-up		3.000	-	I	1346083	21.57
AP1000B	Hitch	1338683	0-up		-	-	I	810653	166.12
	N/A	1330959	0-up		2.875	1.000	I	1130911	122.60
	N/A	1350217	0-up		-	-	I	1350219	91.07
	N/A	1350220	0-up		2.500	-	I	1350221	39.13
	N/A	1359444	0-up		-	-	I	1350219	91.07
	N/A	1359444	1-up		-	-	I	1795934	153.00
	Throttle	1139743	0-up		-	-	I	1235251	46.68
AP1050	Hitch	1338683	0-up		-	-	I	810653	166.12
	N/A	1350217	0-up		-	-	I	1350219	91.07
	Tow Point	0819292	0-up		3.000	-	I	1346083	21.57
AP1050B	Hitch	1338683	0-up		-	-	I	810653	166.12
	N/A	1070473	0-up		2.875	1.000	I	1130911	122.60
	N/A	1139743	0-up		-	-	I	1235251	46.68
	N/A	1210412	0-up		3.000	1.500	I	1235933	49.82
	N/A	1330959	0-up		2.875	1.000	I	1130911	122.60
	N/A	1350217	0-up		-	-	I	1350219	91.07
	N/A	1350220	0-up		2.500	-	I	1350221	39.13

All manufacturer's names, part numbers and descriptions are used for reference purposes only. We do not imply that any part shown is the product of these manufacturers.

INDUSTRIAL SEAL KITS

MOBILE SEAL KITS



CATERPILLAR

CATERPILLAR

ASPHALT PAVER

Model	Application	Cylinder Group	Engineering Design Change Level	Cylinder Assembly Part No.	Bore	Rod	I	Ref. Number RCAT-	\$
							M		
AP1055B	N/A	1359444	0-up		-	-	I	1350219	91.07
	N/A	1359444	1-up		-	-	I	1795934	153.00
	Hitch	1338683	0-up		-	-	I	810653	166.12
	N/A	1070473	0-up		2.875	1.000	I	1130911	122.60
	N/A	1089644	0-up		-	-	I	1235733	310.67
	N/A	1139743	0-up		-	-	I	1235251	46.68
	N/A	1210412	0-up		3.000	1.500	I	1235933	49.82
	N/A	1330959	0-up		2.875	1.000	I	1130911	122.60
	N/A	1350217	0-up		-	-	I	1350219	91.07
	N/A	1350220	0-up		2.500	-	I	1350221	39.13
BG210B	Hitch	1338683	0-up		-	-	I	810653	166.12
	Tilt	1350218	0-up		-	-	I	1350219	91.07
BG225C	Hitch	1338683	0-up		-	-	I	810653	166.12
	Tilt	1330959	0-up		2.875	1.000	I	1130911	122.60
	Tilt	1350218	0-up		-	-	I	1350219	91.07
	Tilt	1350220	0-up		2.500	-	I	1350221	39.13
	Tilt	1359444	0-up		-	-	I	1350219	91.07
	Tilt	1359444	1-up		-	-	I	1795934	153.00
BG230	Hitch	1338683	0-up		-	-	I	810653	166.12
	Tilt	1070473	0-up		2.875	1.000	I	1130911	122.60
	Tilt	1330959	0-up		2.875	1.000	I	1130911	122.60
	Tilt	1350217	0-up		-	-	I	1350219	91.07
	Tilt	1350218	0-up		-	-	I	1350219	91.07
	Tilt	1350220	0-up		2.500	-	I	1350221	39.13
	Tilt	1359444	0-up		-	-	I	1350219	91.07
	Tilt	1359444	1-up		-	-	I	1795934	153.00
BG240C	Hitch	1338683	0-up		-	-	I	810653	166.12
	Tilt	1330959	0-up		2.875	1.000	I	1130911	122.60
	Tilt	1350217	0-up		-	-	I	1350219	91.07
	Tilt	1350220	0-up		2.500	-	I	1350221	39.13
	Tilt	1359444	0-up		-	-	I	1350219	91.07
	Tilt	1359444	1-up		-	-	I	1795934	153.00
BG245B	Hitch	1338683	0-up		-	-	I	810653	166.12
	Tilt	1350217	0-up		-	-	I	1350219	91.07
BG245C	Hitch	1338683	0-up		-	-	I	810653	166.12
	Tilt	1070473	0-up		2.875	1.000	I	1130911	122.60
	Tilt	1139743	0-up		-	-	I	1235251	46.68
	Tilt	1210412	0-up		3.000	1.500	I	1235933	49.82
	Tilt	1330959	0-up		2.875	1.000	I	1130911	122.60
	Tilt	1350217	0-up		-	-	I	1350219	91.07
	Tilt	1350220	0-up		2.500	-	I	1350221	39.13

All manufacturer's names, part numbers and descriptions are used for reference purposes only. We do not imply that any part shown is the product of these manufacturers.



Remsa [KITS]

ASPHALT PAVER

CATERPILLAR

Model	Application	Cylinder Group	Engineering Design Change Level	Cylinder Assembly Part No.	Bore	Rod	I	Ref. Number RCAT-	\$
							M		
BG260B	Tilt	1359444	0-up		-	-	I	1350219	91.07
	Tilt	1359444	1-up		-	-	I	1795934	153.00
	Hitch	1338683	0-up		-	-	I	810653	166.12
	Tilt	1350217	0-up		-	-	I	1350219	91.07
BG260C	Hitch	1338683	0-up		-	-	I	810653	166.12
	Tilt	1139743	0-up		-	-	I	1235251	46.68
	Tilt	1330959	0-up		2.875	1.000	I	1130911	122.60
	Tilt	1350217	0-up		-	-	I	1350219	91.07
	Tilt	1350220	0-up		2.500	-	I	1350221	39.13
	Tilt	1359444	0-up		-	-	I	1350219	91.07
	Tilt	1359444	1-up		-	-	I	1795934	153.00
BG265B	Hitch	1338683	0-up		-	-	I	810653	166.12
	Tilt	1350217	0-up		-	-	I	1350219	91.07
BG270B	Hitch	1338683	0-up		-	-	I	810653	166.12
	Tilt	1350217	0-up		-	-	I	1350219	91.07
BG2455C	Hitch	1338683	0-up		-	-	I	810653	166.12
	Tilt	1070473	0-up		2.875	1.000	I	1130911	122.60
	Tilt	1089644	0-up		-	-	I	1235733	310.67
	Tilt	1139743	0-up		-	-	I	1235251	46.68
	Tilt	1210412	0-up		3.000	1.500	I	1235933	49.82
	Tilt	1330959	0-up		2.875	1.000	I	1130911	122.60
	Tilt	1350217	0-up		-	-	I	1350219	91.07
	Tilt	1350220	0-up		2.500	-	I	1350221	39.13

All manufacturer's names, part numbers and descriptions are used for reference purposes only. We do not imply that any part shown is the product of these manufacturers.

INDUSTRIAL SEAL KITS

MOBILE SEAL KITS



CATERPILLAR

CATERPILLAR

BACKHOE LOADER

INDUSTRIAL
SEAL KITS

MOBILE
SEAL KITS



CATERPILLAR

Model	Application	Cylinder Group	Engineering Design Change Level	Cylinder Assembly Part No.	Bore	Rod	I	Ref. Number RCAT-	\$
							M		
416	Backhoe Boom/Bucket	4T5601	1-up	4T5602	3.250	2.000	I	2408525	112.28
	Backhoe Boom/Bucket	6E0091	0-up	6E0092	3.500	2.500	I	1864327	114.44
	Backhoe Boom/Bucket	9T2751	2-up	9T6320	3.250	2.000	I	2408525	112.28
	Backhoe Boom/Bucket	9T7287	0-up	9T6241	3.500	2.500	I	1864327	114.44
	Backhoe Boom/Bucket	9T7894	0-up	9T5800	3.250	2.000	I	2408525	112.28
	Boom	6E0087	0-up	6E0088	3.250	1.875	I	2465926	78.98
	Boom	9T5219	0-up	9T5218	3.250	1.875	I	2465926	78.98
	Bucket MP, Loader	9T4006	0-up		3.000	1.500	I	2350354	82.67
	Extendable Stick	9T4809	0-up	9T4810	3.000	1.500	I	2350354	82.67
	Extendable Stick	9T7893	0-up	9T6320	3.250	2.000	I	2408525	112.28
	Lift	1070624	1-up	9T0665	3.250	1.875	I	2465926	78.98
	Load	6E0103	0-up	6E0104	3.250	1.875	I	2465926	78.98
	Load	9T0415	0-up	9T0665	3.250	1.875	I	2465926	78.98
	Stabilizer	9T7391	0-up	9T7342	4.000	2.125	I	2465929	103.00
Stabilizer	9T7392	0-up	9T7343	4.000	2.125	I	2465929	103.00	
Stabilizer LH	4T9911	0-up	4T9910	4.000	2.125	I	2465929	103.00	
Stabilizer LH	6E0097	0-up	6E0098	4.000	2.125	I	2465929	103.00	
Stabilizer LH	9T7070	0-up	4T9910	4.000	2.125	I	2465929	103.00	
Stabilizer RH	4T6880	0-up	4T6944	4.000	2.125	I	2465929	103.00	
Stabilizer RH	6E0099	0-up	6E0100	4.000	2.125	I	2465929	103.00	
Stabilizer RH	9T7069	0-up	4T6944	4.000	2.125	I	2465929	103.00	
Steering	6E5190	0-up	6E2406	3.000	1.875	I	2465927	246.17	
Steering	9T1493	1-up	9T1728	3.000	1.875	I	2465925	220.00	
Stick	4T6877	0-up	4T6893	4.000	2.125	I	2465929	103.00	
Stick	6E0089	0-up	6E0090	4.250	2.500	I	2422538	86.12	
Stick	9T2215	0-up	9T2214	3.000	1.500	I	2350354	82.67	
Stick	9T5216	0-up	9T5215	4.000	2.125	I	2465929	103.00	
Stick	9T7063	0-up	9T5215	4.000	2.125	I	2465929	103.00	
Stick	9T7291	1-up	9T6977	4.250	2.500	I	2422538	86.12	
Swing	4T6879	0-up	4T7347	4.000	2.125	I	2465929	103.00	
Swing RH	9T0529	0-up	9T0528	4.000	2.125	I	2465929	103.00	
Tilt	1070625	1-up	9T5490	3.250	1.875	I	2465926	78.98	
Tilt	6E0105	0-up	6E0106	3.250	1.875	I	2465926	78.98	
Tilt	9T4005	0-up	9T0775	3.250	1.875	I	2465926	78.98	
Tilt	9T5370	0-up	9T5490	3.250	1.875	I	2465926	78.98	
416B	Boom	6E0274	0-up	6E0273	4.500	2.375	I	2418924	142.39
	Bucket	1268308	0-up	1268309	3.500	2.500	I	1864327	114.44
	Bucket	6E0275	0-up	6E1495	3.500	2.500	I	1864327	114.44
	Bucket	6E1964	0-up	6E2107	3.500	2.500	I	1864327	114.44
	Bucket MP, Loader	9T4006	0-up		3.000	1.500	I	2350354	82.67
	Lift	1070624	1-up	9T0665	3.250	1.875	I	2465926	78.98
	Load	9T0415	0-up	9T0665	3.250	1.875	I	2465926	78.98
	Stabilizer	1052323	0-1	1052325	4.000	2.125	I	2465929	103.00
	Stabilizer	1052323	2-up	1052325	4.000	2.125	I	2465933	151.66
	Stabilizer	1052358	0-up	1052365	4.000	2.125	I	2465929	103.00
Stabilizer LH	1165354	0-2		4.000	2.125	I	2465929	103.00	
Stabilizer LH	1165354	3-up		4.000	2.125	I	2465933	151.66	

All manufacturer's names, part numbers and descriptions are used for reference purposes only. We do not imply that any part shown is the product of these manufacturers.

Remsa [KITS]

BACKHOE LOADER

CATERPILLAR

Model	Application	Cylinder Group	Engineering Design Change Level	Cylinder Assembly Part No.	Bore	Rod	I	Ref. Number RCAT-	\$
							M		
416C	Stabilizer LH	1302364	0-1	1052365	4.000	2.125	I	2465929	103.00
	Stabilizer LH	1302364	2-up	1052365	4.000	2.125	I	2465933	151.66
	Stabilizer LH	6E0097	0-up	6E0098	4.000	2.125	I	2465929	103.00
	Stabilizer RH	1165353	0-2		4.000	2.125	I	2465929	103.00
	Stabilizer RH	1165353	3-up		4.000	2.125	I	2465933	151.66
	Stabilizer RH	1302365	0-1	1052325	4.000	2.125	I	2465929	103.00
	Stabilizer RH	1302365	2-up	1052325	4.000	2.125	I	2465933	151.66
	Stabilizer RH	6E0099	0-up	6E0100	4.000	2.125	I	2465929	103.00
	Steering	6E5190	0-up	6E2406	3.000	1.875	I	2465927	246.17
	Stick	1007021	3-up	6E1506	4.500	2.500	I	2310898	143.32
	Stick	1065694	0-up	1065738	4.500	2.500	I	2435798	129.23
	Stick	1097020	0-3	1065738	4.500	2.500	I	2435798	129.23
	Stick	1097020	4-up	1065738	4.500	2.500	I	2310898	143.32
	Stick	1097021	0-2	6E1506	4.500	2.500	I	2435798	129.23
	Stick	1097021	3-up	6E1506	4.500	2.500	I	2310898	143.32
	Stick	6E0290	0-up	6E1506	4.500	2.500	I	2435798	129.23
	Stick	6E0404	0-up	6E1755	3.000	1.500	I	2350354	82.67
	Swing	1166861	0-up	1166857	4.000	2.000	I	2409538	59.15
Swing	6E0288	0-up	6E1480	4.000	2.000	I	2409538	59.15	
Tilt	1070625	1-up	9T5490	3.250	1.875	I	2465926	78.98	
Tilt	9T5370	0-up	9T5490	3.250	1.875	I	2465926	78.98	
Boom	6E0274	0-up	6E0273	4.500	2.375	I	2418924	142.39	
Bucket	1268308	0-up	1268309	3.500	2.500	I	1864327	114.44	
Bucket	6E1964	0-up	6E2107	3.500	2.500	I	1864327	114.44	
Bucket	9T4006	0-up		3.000	1.500	I	2350354	82.67	
Lift	1070624	1-up	9T0665	3.250	1.875	I	2465926	78.98	
Lift	1235087	0-up		3.500	2.000	I	2281778	82.52	
Stabilizer LH	1311846	0-up	1311850	4.000	2.125	I	2465929	103.00	
Stabilizer LH	1521806	0-up	1311850	4.000	2.125	I	2465929	103.00	
Stabilizer RH	1311647	0-up	1311851	4.000	2.125	I	2465929	103.00	
Stabilizer RH	1521796	0-up	1311851	4.000	2.125	I	2465929	103.00	
Steering	1156437	0	1160733	2.750	1.750	I	2402482	63.41	
Steering	1156437	1-up	1160733	2.500	1.750	I	2405500	115.64	
Stick	1097020	0-3	1065738	4.500	2.500	I	2435798	129.23	
Stick	1097020	4-up	1065738	4.500	2.500	I	2310898	143.32	
Stick	6E0404	0-up	6E1755	3.000	1.500	I	2350354	82.67	
Stick	9T8823	0-up		2.000	1.000	I	9T0418	69.69	
Swing	1166861	0-up	1166857	4.000	2.000	I	2409538	59.15	
Tilt	1070625	1-up	9T5490	3.250	1.875	I	2465926	78.98	
Tilt	1235091	0-up		3.000	2.000	I	2384462	51.54	
426	Backhoe Boom/Bucket	4T5601	1-up	4T5602	3.250	2.000	I	2408525	112.28
Backhoe Boom/Bucket	6E0091	0-up	6E0092	3.500	2.500	I	1864327	114.44	
Backhoe Boom/Bucket	9T2751	2-up	9T6320	3.250	2.000	I	2408525	112.28	
Backhoe Boom/Bucket	9T7287	0-up	9T6241	3.500	2.500	I	1864327	114.44	
Backhoe Boom/Bucket	9T7894	0-up	9T5800	3.250	2.000	I	2408525	112.28	
Boom	4T6969	0-up	4T7300	3.500	2.125	I	1864406	89.53	

All manufacturer's names, part numbers and descriptions are used for reference purposes only. We do not imply that any part shown is the product of these manufacturers.

INDUSTRIAL SEAL KITS

MOBILE SEAL KITS



CATERPILLAR

KITS 130

CATERPILLAR

BACKHOE LOADER

Model	Application	Cylinder Group	Engineering Design Change Level	Cylinder Assembly Part No.	Bore	Rod	I	Ref. Number RCAT-	\$
							M		
	Boom	6E0109	0-up	6E0110	3.500	2.000	I	2281778	82.52
	Boom	9T5222	0-up	9T5221	3.500	2.000	I	2281778	82.52
	Bucket MP, Loader	9T4006	0-up		3.000	1.500	I	2350354	82.67
	Extendable Stick	9T4809	0-up	9T4810	3.000	1.500	I	2350354	82.67
	Extendable Stick	9T7893	0-up	9T6320	3.250	2.000	I	2408525	112.28
	Lift	1070624	1-up	9T0665	3.250	1.875	I	2465926	78.98
	Load	6E0103	0-up	6E0104	3.250	1.875	I	2465926	78.98
	Load	9T0415	0-up	9T0665	3.250	1.875	I	2465926	78.98
	Stabilizer	9T7391	0-up	9T7342	4.000	2.125	I	2465929	103.00
	Stabilizer	9T7392	0-up	9T7343	4.000	2.125	I	2465929	103.00
	Stabilizer LH	4T9911	0-up	4T9910	4.000	2.125	I	2465929	103.00
	Stabilizer LH	6E0097	0-up	6E0098	4.000	2.125	I	2465929	103.00
	Stabilizer LH	9T7070	0-up	4T9910	4.000	2.125	I	2465929	103.00
	Stabilizer RH	4T6880	0-up	4T6944	4.000	2.125	I	2465929	103.00
	Stabilizer RH	6E0099	0-up	6E0100	4.000	2.125	I	2465929	103.00
	Stabilizer RH	9T7069	0-up	4T6944	4.000	2.125	I	2465929	103.00
	Steering	6E5190	0-up	6E2406	3.000	1.875	I	2465927	246.17
	Steering	9T1493	1-up	9T1728	3.000	1.875	I	2465925	220.00
	Stick	4T6968	0-up	4T7416	4.000	2.125	I	2465929	103.00
	Stick	6E0111	0-up	6E0112	4.250	2.500	I	2422538	86.12
	Stick	9T2215	0-up	9T2214	3.000	1.500	I	2350354	82.67
	Stick	9T7066	0-up	9T5217	4.000	2.125	I	2465929	103.00
	Stick	9T7289	1-up	9T6233	4.250	2.500	I	2422538	86.12
	Stick Backhoe	9T5220	0-up	9T5217	4.000	2.125	I	2465929	103.00
	Swing	4T6879	0-up	4T7347	4.000	2.125	I	2465929	103.00
	Swing RH	9T0529	0-up	9T0528	4.000	2.125	I	2465929	103.00
	Tilt	6E0113	0-up	6E0114	3.500	2.000	I	2281778	82.52
	Tilt	9T0735	0-up	9T0770	3.500	2.000	I	2281778	82.52
	Tilt	9T5371	0-up	9T5491	3.500	2.000	I	2281778	82.52
426B	Boom	6E1948	0-4	6E1952	5.000	2.500	I	2430384	153.34
	Boom	6E1948	5-up	6E1952	5.000	2.500	I	2275347	75.28
	Bucket	1268316	0-up	1268317	3.750	2.750	I	1945603	92.91
	Bucket	6E1809	0-up	6E1811	3.750	2.750	I	1945603	92.91
	Bucket	6E3692	0-up	6E3710	3.750	2.750	I	1945603	92.91
	Bucket MP, Loader	9T4006	0-up		3.000	1.500	I	2350354	82.67
	Lift	1070624	1-up	9T0665	3.250	1.875	I	2465926	78.98
	Load	9T0415	0-up	9T0665	3.250	1.875	I	2465926	78.98
	Stabilizer	1052323	0-1	1052325	4.000	2.125	I	2465929	103.00
		1052323	2-up	1052325	4.000	2.125	I	2465933	151.66
	Stabilizer	1052358	0-up	1052365	4.000	2.125	I	2465929	103.00
	Stabilizer LH	1165354	0-2		4.000	2.125	I	2465929	103.00
	Stabilizer LH	1165354	3-up		4.000	2.125	I	2465933	151.66
	Stabilizer LH	1302364	0-1	1052365	4.000	2.125	I	2465929	103.00
	Stabilizer LH	1302364	2-up	1052365	4.000	2.125	I	2465933	151.66
	Stabilizer LH	6E0097	0-up	6E0098	4.000	2.125	I	2465929	103.00
	Stabilizer RH	1165353	0-2		4.000	2.125	I	2465929	103.00
	Stabilizer RH	1165353	3-up		4.000	2.125	I	2465933	151.66

All manufacturer's names, part numbers and descriptions are used for reference purposes only. We do not imply that any part shown is the product of these manufacturers.

BACKHOE LOADER

CATERPILLAR

Model	Application	Cylinder Group	Engineering Design Change Level	Cylinder Assembly Part No.	Bore	Rod	I	Ref. Number RCAT-	\$
							M		
426C	Stabilizer RH	1302365	0-1	1052325	4.000	2.125	I	2465929	103.00
	Stabilizer RH	1302365	2-up	1052325	4.000	2.125	I	2465933	151.66
	Stabilizer RH	6E0099	0-up	6E0100	4.000	2.125	I	2465929	103.00
	Steering	6E5190	0-up	6E2406	3.000	1.875	I	2465927	246.17
	Stick	6E1935	0-up	6E1936	5.000	2.750	I	2440958	145.95
	Stick	6E3662	0-up	6E0102	3.000	1.500	I	2350354	82.67
	Swing	1166861	0-up	1166857	4.000	2.000	I	2409538	59.15
	Swing	6E0288	0-up	6E1480	4.000	2.000	I	2409538	59.15
	Tilt	6E0113	0-up	6E0114	3.500	2.000	I	2281778	82.52
	Boom	6E1948	0-4	6E1952	5.000	2.500	I	2430384	153.34
	Boom	6E1948	5-up	6E1952	5.000	2.500	I	2275347	75.28
	428	Bucket	1268316	0-up	1268317	3.750	2.750	I	1945603
Bucket		6E3692	0-up	6E3710	3.750	2.750	I	1945603	92.91
Bucket		9T4006	0-up		3.000	1.500	I	2350354	82.67
Lift		1108688	0-up	1108689	3.500	2.000	I	2281778	82.52
Lift		1216764	0-up	1216765	3.500	2.000	I	2281778	82.52
Lift		1235087	0-up		3.500	2.000	I	2281778	82.52
Stabilizer LH		1311846	0-up	1311850	4.000	2.125	I	2465929	103.00
Stabilizer LH		1521806	0-up	1311850	4.000	2.125	I	2465929	103.00
Stabilizer RH		1311647	0-up	1311851	4.000	2.125	I	2465929	103.00
Stabilizer RH		1521796	0-up	1311851	4.000	2.125	I	2465929	103.00
Steering		1156437	0	1160733	2.750	1.750	I	2402482	63.41
Steering		1156437	1-up	1160733	2.500	1.750	I	2405500	115.64
428	Stick	1535735	0-up	1545502	3.000	1.500	I	2350354	82.67
	Stick	6E1935	0-up	6E1936	5.000	2.750	I	2440958	145.95
	Stick	6E3662	0-up	6E0102	3.000	1.500	I	2350354	82.67
	Stick	9T8823	0-up		2.000	1.000	I	9T0418	69.69
	Swing	1166861	0-up	1166857	4.000	2.000	I	2409538	59.15
	Tilt	1235091	0-up		3.000	2.000	I	2384462	51.54
	Backhoe Boom/Bucket	4T5601	1-up	4T5602	3.250	2.000	I	2408525	112.28
	Backhoe Boom/Bucket	6E0091	0-up	6E0092	3.500	2.500	I	1864327	114.44
	Backhoe Boom/Bucket	9T2751	2-up	9T6320	3.250	2.000	I	2408525	112.28
	Backhoe Boom/Bucket	9T7287	0-up	9T6241	3.500	2.500	I	1864327	114.44
	Backhoe Boom/Bucket	9T7894	0-up	9T5800	3.250	2.000	I	2408525	112.28
	Boom	6E0087	0-up	6E0088	3.250	1.875	I	2465926	78.98
Boom	9T5219	0-up	9T5218	3.250	1.875	I	2465926	78.98	
Bucket MP, Loader	9T4006	0-up		3.000	1.500	I	2350354	82.67	
Extendable Stick	9T4809	0-up	9T4810	3.000	1.500	I	2350354	82.67	
Extendable Stick	9T7893	0-up	9T6320	3.250	2.000	I	2408525	112.28	
Lift	1070624	1-up	9T0665	3.250	1.875	I	2465926	78.98	
Load	6E0103	0-up	6E0104	3.250	1.875	I	2465926	78.98	
Load	9T0415	0-up	9T0665	3.250	1.875	I	2465926	78.98	
Stabilizer	6E0119	0-2	6E0120	2.750	1.750	I	2402482	63.41	
Stabilizer	6E0119	3-up	6E0120	2.750	1.750	I	2342595	120.82	
Stabilizer	9T0527	0-up	9T0810	2.750	1.750	I	2402482	63.41	
Stabilizer	9T9709	0-up	9T9710	2.750	1.750	I	2402482	63.41	

All manufacturer's names, part numbers and descriptions are used for reference purposes only. We do not imply that any part shown is the product of these manufacturers.

INDUSTRIAL SEAL KITS

MOBILE SEAL KITS



CATERPILLAR

CATERPILLAR

BACKHOE LOADER

INDUSTRIAL
SEAL KITS

MOBILE
SEAL KITS



CATERPILLAR

Model	Application	Cylinder Group	Engineering Design Change Level	Cylinder Assembly Part No.	Bore	Rod	I	Ref. Number RCAT-	\$
							M		
	Steering	9T1493	1-up	9T1728	3.000	1.875	I	2465925	220.00
	Stick	4T6877	0-up	4T6893	4.000	2.125	I	2465929	103.00
	Stick	6E0089	0-up	6E0090	4.250	2.500	I	2422538	86.12
	Stick	9T2215	0-up	9T2214	3.000	1.500	I	2350354	82.67
	Stick	9T5216	0-up	9T5215	4.000	2.125	I	2465929	103.00
	Stick	9T7063	0-up	9T5215	4.000	2.125	I	2465929	103.00
	Stick	9T7291	1-up	9T6977	4.250	2.500	I	2422538	86.12
	Swing LH	9T0421	0-up	9T0512	4.000	2.125	I	2465929	103.00
	Swing RH	9T0420	0-up	9T0511	4.000	2.125	I	2465929	103.00
	Tilt	6E0113	0-up	6E0114	3.500	2.000	I	2281778	82.52
	Tilt	9T0735	0-up	9T0770	3.500	2.000	I	2281778	82.52
	Tilt	9T5371	0-up	9T5491	3.500	2.000	I	2281778	82.52
428B	Boom	6E0274	0-up	6E0273	4.500	2.375	I	2418924	142.39
	Bucket	1268308	0-up	1268309	3.500	2.500	I	1864327	114.44
	Bucket	6E0275	0-up	6E1495	3.500	2.500	I	1864327	114.44
	Bucket	6E1964	0-up	6E2107	3.500	2.500	I	1864327	114.44
	Bucket	6E2421	0-up	6E2496	3.750	2.750	I	1945603	92.91
	Bucket MP, Loader	9T4006	0-up		3.000	1.500	I	2350354	82.67
	Lift	1070624	1-up	9T0665	3.250	1.875	I	2465926	78.98
	Load	9T0415	0-up	9T0665	3.250	1.875	I	2465926	78.98
	Sideshift	1166858	0-up	1166859	4.000	2.000	I	2409538	59.15
	Stabilizer	1266950	0	1266951	2.750	1.750	I	2402482	63.41
Stabilizer	1266950	1-2	1266951	2.750	1.750	I	2342595	120.82	
	Stabilizer	6E3483	0-3	6E3484	2.750	1.750	I	2402482	63.41
	Stabilizer	6E3483	4-up	6E3484	2.750	1.750	I	2342595	120.82
	Steering	6E5190	0-up	6E2406	3.000	1.875	I	2465927	246.17
	Stick	1097021	0-2	6E1506	4.500	2.500	I	2435798	129.23
	Stick	1097021	3-up	6E1506	4.500	2.500	I	2310898	143.32
	Stick	6E0290	0-up	6E1506	4.500	2.500	I	2435798	129.23
	Stick	6E0404	0-up	6E1755	3.000	1.500	I	2350354	82.67
	Swing	1166861	0-up	1166857	4.000	2.000	I	2409538	59.15
	Swing	6E0288	0-up	6E1480	4.000	2.000	I	2409538	59.15
	Swing LH	6E1864	0-up	6E1863	4.000	2.000	I	2409538	59.15
	Tilt	6E0113	0-up	6E0114	3.500	2.000	I	2281778	82.52
428C	Boom	6E0274	0-up	6E0273	4.500	2.375	I	2418924	142.39
	Bucket	1268308	0-up	1268309	3.500	2.500	I	1864327	114.44
	Bucket	1268312	0-up	1268313	4.000	2.750	I	1939270	139.35
	Bucket	6E0275	0-up	6E1495	3.500	2.500	I	1864327	114.44
	Bucket	6E1964	0-up	6E2107	3.500	2.500	I	1864327	114.44
	Bucket	9T4006	0-up		3.000	1.500	I	2350354	82.67
	Lift	1070624	1-up	9T0665	3.250	1.875	I	2465926	78.98
	Lift	1235087	0-up		3.500	2.000	I	2281778	82.52
	Sideshift	1166858	0-up	1166859	4.000	2.000	I	2409538	59.15
	Stabilizer	1266950	0	1266951	2.750	1.750	I	2402482	63.41
	Stabilizer	1266950	1-2	1266951	2.750	1.750	I	2342595	120.82
Steering	1156437	0	1160733	2.750	1.750	I	2402482	63.41	

All manufacturer's names, part numbers and descriptions are used for reference purposes only. We do not imply that any part shown is the product of these manufacturers.

BACKHOE LOADER

CATERPILLAR

Model	Application	Cylinder Group	Engineering Design Change Level	Cylinder Assembly Part No.	Bore	Rod	I	Ref. Number RCAT-	\$
							M		
436	Steering	1156437	1-up	1160733	2.500	1.750	I	2405500	115.64
	Stick	1097021	0-2	6E1506	4.500	2.500	I	2435798	129.23
	Stick	1097021	3-up	6E1506	4.500	2.500	I	2310898	143.32
	Stick	6E0404	0-up	6E1755	3.000	1.500	I	2350354	82.67
	Stick	9T8823	0-up		2.000	1.000	I	9T0418	69.69
	Swing	1166861	0-up	1166857	4.000	2.000	I	2409538	59.15
	Tilt	1235091	0-up		3.000	2.000	I	2384462	51.54
	Boom	6E0109	0-up	6E0110	3.500	2.000	I	2281778	82.52
	Boom	9T5222	0-up	9T5221	3.500	2.000	I	2281778	82.52
	Bucket MP, Loader	9T4006	0-up		3.000	1.500	I	2350354	82.67
Extendable Stick	9T4809	0-up	9T4810	3.000	1.500	I	2350354	82.67	
436B	Lift	1070624	1-up	9T0665	3.250	1.875	I	2465926	78.98
	Load	6E0103	0-up	6E0104	3.250	1.875	I	2465926	78.98
	Load	9T0415	0-up	9T0665	3.250	1.875	I	2465926	78.98
	Stabilizer	9T7391	0-up	9T7342	4.000	2.125	I	2465929	103.00
	Stabilizer	9T7392	0-up	9T7343	4.000	2.125	I	2465929	103.00
	Stabilizer LH	6E0097	0-up	6E0098	4.000	2.125	I	2465929	103.00
	Stabilizer LH	9T7070	0-up	4T9910	4.000	2.125	I	2465929	103.00
	Stabilizer RH	6E0099	0-up	6E0100	4.000	2.125	I	2465929	103.00
	Stabilizer RH	9T7069	0-up	4T6944	4.000	2.125	I	2465929	103.00
	Steering	6E5190	0-up	6E2406	3.000	1.875	I	2465927	246.17
	Steering	9T1493	1-up	9T1728	3.000	1.875	I	2465925	220.00
	Swing	4T6879	0-up	4T7347	4.000	2.125	I	2465929	103.00
	Swing RH	9T0529	0-up	9T0528	4.000	2.125	I	2465929	103.00
Tilt	6E0113	0-up	6E0114	3.500	2.000	I	2281778	82.52	
Tilt	9T5371	0-up	9T5491	3.500	2.000	I	2281778	82.52	
Boom	6E1948	0-4	6E1952	5.000	2.500	I	2430384	153.34	
Boom	6E1948	5-up	6E1952	5.000	2.500	I	2275347	75.28	
Bucket	1268316	0-up	1268317	3.750	2.750	I	1945603	92.91	
Bucket	6E1809	0-up	6E1811	3.750	2.750	I	1945603	92.91	
Bucket	6E3692	0-up	6E3710	3.750	2.750	I	1945603	92.91	
Bucket MP, Loader	9T4006	0-up		3.000	1.500	I	2350354	82.67	
Lift	1070624	1-up	9T0665	3.250	1.875	I	2465926	78.98	
Load	9T0415	0-up	9T0665	3.250	1.875	I	2465926	78.98	
Stabilizer	1052323	0-1	1052325	4.000	2.125	I	2465929	103.00	
Stabilizer	1052323	2-up	1052325	4.000	2.125	I	2465933	151.66	
Stabilizer	1052358	0-up	1052365	4.000	2.125	I	2465929	103.00	
Stabilizer LH	1165354	0-2		4.000	2.125	I	2465929	103.00	
Stabilizer LH	1165354	3-up		4.000	2.125	I	2465933	151.66	
Stabilizer LH	1302364	0-1	1052365	4.000	2.125	I	2465929	103.00	
Stabilizer LH	1302364	2-up	1052365	4.000	2.125	I	2465933	151.66	
Stabilizer LH	6E0097	0-up	6E0098	4.000	2.125	I	2465929	103.00	
Stabilizer RH	1165353	0-2		4.000	2.125	I	2465929	103.00	
Stabilizer RH	1165353	3-up		4.000	2.125	I	2465933	151.66	
Stabilizer RH	1302365	0-1	1052325	4.000	2.125	I	2465929	103.00	
Stabilizer RH	1302365	2-up	1052325	4.000	2.125	I	2465933	151.66	

All manufacturer's names, part numbers and descriptions are used for reference purposes only. We do not imply that any part shown is the product of these manufacturers.

INDUSTRIAL SEAL KITS

MOBILE SEAL KITS



CATERPILLAR

CATERPILLAR

BACKHOE LOADER

Model	Application	Cylinder Group	Engineering Design Change Level	Cylinder Assembly Part No.	Bore	Rod	I	Ref. Number RCAT-	\$
							M		
436C	Stabilizer RH	6E0099	0-up	6E0100	4.000	2.125	I	2465929	103.00
	Steering	6E5190	0-up	6E2406	3.000	1.875	I	2465927	246.17
	Stick	6E1935	0-up	6E1936	5.000	2.750	I	2440958	145.95
	Stick	6E3662	0-up	6E0102	3.000	1.500	I	2350354	82.67
	Swing	1166861	0-up	1166857	4.000	2.000	I	2409538	59.15
	Swing	6E0288	0-up	6E1480	4.000	2.000	I	2409538	59.15
	Tilt	6E0113	0-up	6E0114	3.500	2.000	I	2281778	82.52
	Boom	1118211	0-up	1118212	5.250	2.875	I	2350970	141.71
	Boom	6E1948	0-4	6E1952	5.000	2.500	I	2430384	153.34
	Boom	6E1948	5-up	6E1952	5.000	2.500	I	2275347	75.28
	Bucket	1118217	0-up	1118216	3.750	2.750	I	1945603	92.91
	Bucket	1144828	0-up	1144307	3.750	2.750	I	1945603	92.91
	Bucket	1268316	0-up	1268317	3.750	2.750	I	1945603	92.91
	Bucket	6E3692	0-up	6E3710	3.750	2.750	I	1945603	92.91
Bucket	9T4006	0-up		3.000	1.500	I	2350354	82.67	
Bucket	9T4760	0-up		3.750	2.750	I	1945603	92.91	
Bucket	9T6305	0-up	9T6330	3.750	2.750	I	1945603	92.91	
Extendable Stick	6E5383	0-up	6E5382	3.000	1.750	I	2342594	108.31	
Lift	1108688	0-up	1108689	3.500	2.000	I	2281778	82.52	
Lift	1117712	0-up	1089328	3.750	2.250	I	2350969	127.56	
Lift	1216764	0-up	1216765	3.500	2.000	I	2281778	82.52	
Lift	1235087	0-up		3.500	2.000	I	2281778	82.52	
Lift	1257895	0-up	1257896	3.750	2.250	I	2350969	127.56	
Lift	9T2997	0-up	9T2827	3.750	2.000	I	2409518	83.83	
Stabilizer LH	1311846	0-up	1311850	4.000	2.125	I	2465929	103.00	
Stabilizer LH	1329701	0-1	1329702	4.000	2.125	I	2465929	103.00	
Stabilizer LH	1329701	2-up	1329702	4.000	2.125	I	2465933	151.66	
Stabilizer LH	1521806	0-up	1311850	4.000	2.125	I	2465929	103.00	
Stabilizer LH	9T2994	0-up	9T3178	4.000	2.125	I	2465929	103.00	
Stabilizer RH	1311847	0-up	1311851	4.000	2.125	I	2465929	103.00	
Stabilizer RH	1329700	0-2	1329703	4.000	2.125	I	2465929	103.00	
Stabilizer RH	1329700	3-up	1329703	4.000	2.125	I	2465933	151.66	
Stabilizer RH	1521796	0-up	1311851	4.000	2.125	I	2465929	103.00	
Stabilizer RH	9T2993	0-up	9T3170	4.000	2.125	I	2465929	103.00	
Steering	1156437	0	1160733	2.750	1.750	I	2402482	63.41	
Steering	1156437	1-up	1160733	2.500	1.750	I	2405500	115.64	
Steering	9T1834	0-up	9T2963	3.250	2.250	I	9X2031	206.85	
Stick	1118213	0-up	1118215	5.250	3.000	I	2281776	86.98	
Stick	1239707	0-up	1239708	3.000	1.750	I	2342594	108.31	
Stick	1535735	0-up	1545502	3.000	1.500	I	2350354	82.67	
Stick	6E1935	0-up	6E1936	5.000	2.750	I	2440958	145.95	
Stick	6E3062	0-up	6E2991	5.250	3.000	I	2281776	86.98	
Stick	6E3314	0-up	6E3315	5.250	3.000	I	2281776	86.98	
Stick	6E3662	0-up	6E0102	3.000	1.500	I	2350354	82.67	
Stick	9T8823	0-up		2.000	1.000	I	9T0418	69.69	
Stick	9T9186	0-up	9T3585	5.250	3.000	I	2281776	86.98	
Swing	1121765	0-up	1121766	4.000	2.000	I	2409538	59.15	

All manufacturer's names, part numbers and descriptions are used for reference purposes only. We do not imply that any part shown is the product of these manufacturers.

INDUSTRIAL
SEAL KITS

MOBILE
SEAL KITS



CATERPILLAR

BACKHOE LOADER

CATERPILLAR

Model	Application	Cylinder Group	Engineering Design Change Level	Cylinder Assembly Part No.	Bore	Rod	I	Ref. Number RCAT-	\$
							M		
438	Swing	1166861	0-up	1166857	4.000	2.000	I	2409538	59.15
	Swing	6E5219	0-up	6E5050	4.000	2.000	I	2409538	59.15
	Swing LH	9T1701	0-3	9T3141	4.000	2.125	I	2465929	103.00
	Swing LH	9T1701	4-up	9T3141	4.000	2.125	I	2465931	131.72
	Swing RH	9T1230	0-3	9T2880	4.000	2.125	I	2465929	103.00
	Swing RH	9T1230	4-up	9T2880	4.000	2.125	I	2465931	131.72
	Tilt	1007844	0-up	9T3160	4.000	2.000	I	2339205	48.11
	Tilt	1235091	0-up		3.000	2.000	I	2384462	51.54
	Tilt	9T2995	0-up	9T3160	4.000	2.000	I	2339205	48.11
	Backhoe Boom/Bucket	9T2751	2-up	9T6320	3.250	2.000	I	2408525	112.28
	Boom	6E0087	0-up	6E0088	3.250	1.875	I	2465926	78.98
	Boom	9T5219	0-up	9T5218	3.250	1.875	I	2465926	78.98
	Bucket MP, Loader	9T4006	0-up		3.000	1.500	I	2350354	82.67
	Extendable Stick	9T4809	0-up	9T4810	3.000	1.500	I	2350354	82.67
	Extendable Stick	9T7893	0-up	9T6320	3.250	2.000	I	2408525	112.28
	Lift	1070624	1-up	9T0665	3.250	1.875	I	2465926	78.98
	Load	6E0103	0-up	6E0104	3.250	1.875	I	2465926	78.98
	Load	9T0415	0-up	9T0665	3.250	1.875	I	2465926	78.98
Stabilizer	6E0119	0-2	6E0120	2.750	1.750	I	2402482	63.41	
Stabilizer	6E0119	3-up	6E0120	2.750	1.750	I	2342595	120.82	
Stabilizer	9T0527	0-up	9T0810	2.750	1.750	I	2402482	63.41	
Stabilizer	9T9709	0-up	9T9710	2.750	1.750	I	2402482	63.41	
Steering	9T1493	1-up	9T1728	3.000	1.875	I	2465925	220.00	
438B	Stick	6E0089	0-up	6E0090	4.250	2.500	I	2422538	86.12
	Stick	9T2215	0-up	9T2214	3.000	1.500	I	2350354	82.67
	Stick	9T7291	1-up	9T6977	4.250	2.500	I	2422538	86.12
	Swing LH	9T0421	0-up	9T0512	4.000	2.125	I	2465929	103.00
	Swing RH	9T0420	0-up	9T0511	4.000	2.125	I	2465929	103.00
	Tilt	6E0113	0-up	6E0114	3.500	2.000	I	2281778	82.52
	Tilt	9T5371	0-up	9T5491	3.500	2.000	I	2281778	82.52
	Boom	6E0274	0-up	6E0273	4.500	2.375	I	2418924	142.39
	Bucket	1268308	0-up	1268309	3.500	2.500	I	1864327	114.44
	Bucket	1268312	0-up	1268313	4.000	2.750	I	1939270	139.35
	Bucket	6E0275	0-up	6E1495	3.500	2.500	I	1864327	114.44
	Bucket	6E1964	0-up	6E2107	3.500	2.500	I	1864327	114.44
Bucket	6E2421	0-up	6E2496	3.750	2.750	I	1945603	92.91	
Bucket	6E3693	0-up	6E3705	4.000	2.750	I	1939270	139.35	
Bucket MP, Loader	9T4006	0-up		3.000	1.500	I	2350354	82.67	
Lift	1070624	1-up	9T0665	3.250	1.875	I	2465926	78.98	
Load	9T0415	0-up	9T0665	3.250	1.875	I	2465926	78.98	
Sideshift	1166858	0-up	1166859	4.000	2.000	I	2409538	59.15	
Stabilizer	1266950	0	1266951	2.750	1.750	I	2402482	63.41	
Stabilizer	1266950	1-2	1266951	2.750	1.750	I	2342595	120.82	
Stabilizer	6E3483	0-3	6E3484	2.750	1.750	I	2402482	63.41	
Stabilizer	6E3483	4-up	6E3484	2.750	1.750	I	2342595	120.82	
Stick	1097021	0-2	6E1506	4.500	2.500	I	2435798	129.23	

All manufacturer's names, part numbers and descriptions are used for reference purposes only. We do not imply that any part shown is the product of these manufacturers.

INDUSTRIAL SEAL KITS

MOBILE SEAL KITS



CATERPILLAR

CATERPILLAR

BACKHOE LOADER

Model	Application	Cylinder Group	Engineering Design Change Level	Cylinder Assembly Part No.	Bore	Rod	I	Ref. Number RCAT-	\$	
							M			
	Stick	1097021	3-up	6E1506	4.500	2.500	I	2310898	143.32	
	Stick	6E0290	0-up	6E1506	4.500	2.500	I	2435798	129.23	
	Stick	6E0404	0-up	6E1755	3.000	1.500	I	2350354	82.67	
	Swing	1166861	0-up	1166857	4.000	2.000	I	2409538	59.15	
	Swing	6E0288	0-up	6E1480	4.000	2.000	I	2409538	59.15	
	Swing LH	6E1864	0-up	6E1863	4.000	2.000	I	2409538	59.15	
	Tilt	6E0113	0-up	6E0114	3.500	2.000	I	2281778	82.52	
438C	Boom	6E0274	0-up	6E0273	4.500	2.375	I	2418924	142.39	
	Bucket	1268312	0-up	1268313	4.000	2.750	I	1939270	139.35	
	Bucket	6E1964	0-up	6E2107	3.500	2.500	I	1864327	114.44	
	Bucket	6E2421	0-up	6E2496	3.750	2.750	I	1945603	92.91	
	Bucket	6E3693	0-up	6E3705	4.000	2.750	I	1939270	139.35	
	Bucket	9T4006	0-up		3.000	1.500	I	2350354	82.67	
	Lift	1070624	1-up	9T0665	3.250	1.875	I	2465926	78.98	
	Lift	1235087	0-up		3.500	2.000	I	2281778	82.52	
	Sideshift	1166858	0-up	1166859	4.000	2.000	I	2409538	59.15	
	Stabilizer	1266950	0	1266951	2.750	1.750	I	2402482	63.41	
	Stick	1097021	0-2	6E1506	4.500	2.500	I	2435798	129.23	
	Stick	1097021	3-up	6E1506	4.500	2.500	I	2310898	143.32	
	Stick	6E0404	0-up	6E1755	3.000	1.500	I	2350354	82.67	
	Stick	9T8823	0-up		2.000	1.000	I	9T0418	69.69	
	Swing	1166861	0-up	1166857	4.000	2.000	I	2409538	59.15	
	Tilt	1235091	0-up		3.000	2.000	I	2384462	51.54	
	446	Boom	1118211	0-up	1118212	5.250	2.875	I	2350970	141.71
		Bucket	1144828	0-up	1144307	3.750	2.750	I	1945603	92.91
Bucket		9T4760	0-up		3.750	2.750	I	1945603	92.91	
Extendable Stick		6E5383	0-up	6E5382	3.000	1.750	I	2342594	108.31	
Extendable Stick		9T2107	0-up	9T3103	3.000	1.750	I	2275350	24.93	
Lift		1117712	0-up	1089328	3.750	2.250	I	2350969	127.56	
Lift		1257895	0-up	1257896	3.750	2.250	I	2350969	127.56	
Lift		9T2997	0-up	9T2827	3.750	2.000	I	2409518	83.83	
Stabilizer LH		1329701	0-1	1329702	4.000	2.125	I	2465929	103.00	
Stabilizer LH		1329701	2-up	1329702	4.000	2.125	I	2465933	151.66	
	Stabilizer LH	9T2994	0-up	9T3178	4.000	2.125	I	2465929	103.00	
	Stabilizer RH	1329700	0-2	1329703	4.000	2.125	I	2465929	103.00	
	Stabilizer RH	1329700	3-up	1329703	4.000	2.125	I	2465933	151.66	
	Stabilizer RH	9T2993	0-up	9T3170	4.000	2.125	I	2465929	103.00	
	Steering	9T1834	0-up	9T2963	3.250	2.250	I	9X2031	206.85	
	Stick	1118213	0-up	1118215	5.250	3.000	I	2281776	86.98	
	Stick	6E3062	0-up	6E2991	5.250	3.000	I	2281776	86.98	
	Stick	6E3314	0-up	6E3315	5.250	3.000	I	2281776	86.98	
	Stick	9T9186	0-up	9T3585	5.250	3.000	I	2281776	86.98	
	Swing	1121765	0-up	1121766	4.000	2.000	I	2409538	59.15	
	Swing	6E5219	0-up	6E5050	4.000	2.000	I	2409538	59.15	
	Swing LH	9T1701	0-3	9T3141	4.000	2.125	I	2465929	103.00	
	Swing LH	9T1701	4-up	9T3141	4.000	2.125	I	2465931	131.72	

All manufacturer's names, part numbers and descriptions are used for reference purposes only. We do not imply that any part shown is the product of these manufacturers.

BACKHOE LOADER

CATERPILLAR

Model	Application	Cylinder Group	Engineering Design Change Level	Cylinder Assembly Part No.	Bore	Rod	I	Ref. Number RCAT-	\$
							M		
446B	Swing RH	9T1230	0-3	9T2880	4.000	2.125	I	2465929	103.00
	Swing RH	9T1230	4-up	9T2880	4.000	2.125	I	2465931	131.72
	Tilt	1007844	0-up	9T3160	4.000	2.000	I	2339205	48.11
	Tilt	9T2995	0-up	9T3160	4.000	2.000	I	2339205	48.11
	Boom	1118211	0-up	1118212	5.250	2.875	I	2350970	141.71
	Bucket	1118217	0-up	1118216	3.750	2.750	I	1945603	92.91
	Bucket	1144828	0-up	1144307	3.750	2.750	I	1945603	92.91
	Bucket	9T4760	0-up		3.750	2.750	I	1945603	92.91
	Bucket	9T6305	0-up	9T6330	3.750	2.750	I	1945603	92.91
	Extendable Stick	6E5383	0-up	6E5382	3.000	1.750	I	2342594	108.31
	Lift	1117712	0-up	1089328	3.750	2.250	I	2350969	127.56
	Lift	1257895	0-up	1257896	3.750	2.250	I	2350969	127.56
	Lift	9T2997	0-up	9T2827	3.750	2.000	I	2409518	83.83
	Stabilizer LH	1329701	0-1	1329702	4.000	2.125	I	2465929	103.00
Stabilizer LH	1329701	2-up	1329702	4.000	2.125	I	2465933	151.66	
Stabilizer LH	9T2994	0-up	9T3178	4.000	2.125	I	2465929	103.00	
Stabilizer RH	1329700	0-2	1329703	4.000	2.125	I	2465929	103.00	
Stabilizer RH	1329700	3-up	1329703	4.000	2.125	I	2465933	151.66	
Stabilizer RH	9T2993	0-up	9T3170	4.000	2.125	I	2465929	103.00	
Steering	9T1834	0-up	9T2963	3.250	2.250	I	9X2031	206.85	
Stick	1118213	0-up	1118215	5.250	3.000	I	2281776	86.98	
Stick	1239707	0-up	1239708	3.000	1.750	I	2342594	108.31	
Stick	6E3062	0-up	6E2991	5.250	3.000	I	2281776	86.98	
Stick	6E3314	0-up	6E3315	5.250	3.000	I	2281776	86.98	
Stick	9T9186	0-up	9T3585	5.250	3.000	I	2281776	86.98	
Swing	1121765	0-up	1121766	4.000	2.000	I	2409538	59.15	
Swing	6E5219	0-up	6E5050	4.000	2.000	I	2409538	59.15	
Swing LH	9T1701	0-3	9T3141	4.000	2.125	I	2465929	103.00	
Swing LH	9T1701	4-up	9T3141	4.000	2.125	I	2465931	131.72	
Swing RH	9T1230	0-3	9T2880	4.000	2.125	I	2465929	103.00	
Swing RH	9T1230	4-up	9T2880	4.000	2.125	I	2465931	131.72	
Tilt	1007844	0-up	9T3160	4.000	2.000	I	2339205	48.11	
Tilt	9T2995	0-up	9T3160	4.000	2.000	I	2339205	48.11	

All manufacturer's names, part numbers and descriptions are used for reference purposes only. We do not imply that any part shown is the product of these manufacturers.

INDUSTRIAL SEAL KITS

MOBILE SEAL KITS



CATERPILLAR

CATERPILLAR

COLD PLANER

Model	Application	Cylinder Group	Engineering Design Change Level	Cylinder Assembly Part No.	Bore	Rod	I	Ref. Number RCAT-	\$
							M		
PM465	Tensioner	0869735	0-up		2.500	-	I	1G8863	27.10
PM565	Elevation	1G8277	0-up		4.000	2.250	I	1318161	307.31
	Elevation	1G8278	0-up		4.000	2.250	I	1318161	307.31
	Lift - Engine Enclosure	0869600	0-up		2.000	1.250	I	1013697	56.36
	N/A	1222691	0-up		4.000	2.250	I	1265378	436.44
	N/A	1222692	0-up		4.000	2.250	I	1265378	436.44
	Tensioner	0869735	0-up		2.500	-	I	1G8863	27.10
PM565B	Elevation	1G8277	0-up		4.000	2.250	I	1318161	307.31
	Elevation	1G8278	0-up		4.000	2.250	I	1318161	307.31
	Lift - Engine Enclosure	0869600	0-up		2.000	1.250	I	1013697	56.36
	N/A	1222691	0-up		4.000	2.250	I	1265378	436.44
	N/A	1222692	0-up		4.000	2.250	I	1265378	436.44
	Tensioner	0869735	0-up		2.500	-	I	1G8863	27.10
PR450	Steering	0822836	0-up		4.000	1.500	I	7R6913	77.99
PR450C	Conveyor - Elevation	1G6047	0-up		3.000	1.500	I	5E8597	71.80
	Steering	0822836	0-up		4.000	1.500	I	7R6913	77.99
PR750C	N/A	8C9481	0-up		3.000	1.500	I	5E8597	71.80

All manufacturer's names, part numbers and descriptions are used for reference purposes only. We do not imply that any part shown is the product of these manufacturers.

INDUSTRIAL
SEAL KITS

MOBILE
SEAL KITS



CATERPILLAR

Remsa [KITS]

EXCAVATOR

CATERPILLAR

Model	Application	Cylinder Group	Engineering Design Change Level	Cylinder Assembly Part No.	Bore	Rod	I	Ref. Number RCAT-	\$
							M		
215	Boom	8J8613	1-up	8J8877	4.500	2.750	I	2435808	131.62
	Bucket	8J8612	12-up	8J8873	4.500	2.750	I	2435808	131.62
	Bucket Clamshell	9J5832	1-up	9J5779	6.500	3.250	I	7X2713	112.21
	Stick	8J8611	10-up	8J8765	5.500	3.500	I	2456824	120.49
215B	Boom	8J8613	1-up	8J8877	4.500	2.750	I	2435808	131.62
	Bucket	8J8612	12-up	8J8873	4.500	2.750	I	2435808	131.62
	Stick	8J8611	10-up	8J8765	5.500	3.500	I	2456824	120.49
215C	Boom	8J8613	1-up	8J8877	4.500	2.750	I	2435808	131.62
	Boom	9T6410	0-up	9T6411	4.750	3.000	I	2442070	155.71
	Bucket	8J8612	12-up	8J8873	4.500	2.750	I	2435808	131.62
	Bucket	9T6497	0-1	9T6498	4.750	3.000	I	2442070	155.71
	Bucket	9T6497	2-up	9T6498	4.750	3.000	I	2442071	158.51
	Stick	8J8611	10-up	8J8765	5.500	3.500	I	2456824	120.49
215D	Boom	8J8613	1-up	8J8877	4.500	2.750	I	2435808	131.62
	Boom	9T9278	0-up	9T9279	4.750	3.000	I	2442070	155.71
	Bucket	9T6497	0-1	9T6498	4.750	3.000	I	2442070	155.71
	Bucket	9T6497	2-up	9T6498	4.750	3.000	I	2442071	158.51
	Stick	9T9280	0-up	9T9281	5.500	3.500	I	2456824	120.49
216	Stick	1428955	0-up		-	-	M	1428963	99.70
	Stick	1428956	0-up		-	-	M	1428963	99.70
	Stick	1428960	0-up		-	-	M	1428962	65.79
	Stick	1428961	0-up		-	-	M	1428962	65.79
	Stick	1565512	0-up		-	-	I	1643213	18.17
219	Boom	9T6410	0-up	9T6411	4.750	3.000	I	2442070	155.71
	Bucket	8J8612	12-up	8J8873	4.500	2.750	I	2435808	131.62
	Bucket	9T6497	0-1	9T6498	4.750	3.000	I	2442070	155.71
	Bucket	9T6497	2-up	9T6498	4.750	3.000	I	2442071	158.51
	Stick	8J8611	10-up	8J8765	5.500	3.500	I	2456824	120.49
219D	Boom	9T9278	0-up	9T9279	4.750	3.000	I	2442070	155.71
	Bucket	9T6497	0-1	9T6498	4.750	3.000	I	2442070	155.71
	Bucket	9T6497	2-up	9T6498	4.750	3.000	I	2442071	158.51
	Stick	9T9280	0-up	9T9281	5.500	3.500	I	2456824	120.49
225	Boom	3G2996	0-2	3G2992	5.500	3.250	I	2442080	129.46
	Boom	3G2996	3-up	3G2992	5.500	3.250	I	2550913	292.56
	Boom	3G7384	0-1	8J1697	5.500	3.250	I	2442080	129.46
	Boom	3G7384	2-up	8J1697	5.500	3.250	I	2550913	292.56
	Boom	6E3833	0-up	6E3834	5.500	3.250	I	2550913	292.56
	Boom	6E3836	0-up	6E3837	5.500	3.250	I	2550913	292.56

All manufacturer's names, part numbers and descriptions are used for reference purposes only. We do not imply that any part shown is the product of these manufacturers.

INDUSTRIAL SEAL KITS

MOBILE SEAL KITS



CATERPILLAR

CATERPILLAR

EXCAVATOR

Model	Application	Cylinder Group	Engineering Design Change Level	Cylinder Assembly Part No.	Bore	Rod	I	Ref. Number RCAT-	\$
							M		
	Boom	8J1698	9-11	8J1697	5.500	3.250	I	2442080	129.46
	Boom	8J1698	12-up	8J1697	5.500	3.250	I	2550913	292.56
	Bucket	6E6007	0-up		5.500	3.250	I	2550913	292.56
	Bucket	8J2566	7-10	8J2567	5.500	3.250	I	2442080	129.46
	Bucket	8J2566	11-up	8J2567	5.500	3.250	I	2550913	292.56
	Bucket	9J7006	0-1		5.500	3.250	I	2442079	108.69
	Bucket	9J7006	2-3		5.500	3.250	I	2450579	292.56
	Bucket	9J7006	4-up		5.500	3.250	I	2450601	317.69
	Clamshell	9J5153	0-up	9J5154	8.250	3.500	I	7X2727	289.12
	Stick	9J1755	6-13	9J1754	6.000	3.750	I	2445647	358.81
	Stick	9J1755	14-up	9T6940	6.000	3.750	I	2459835	308.55
225B	Boom	3G2996	0-2	3G2992	5.500	3.250	I	2442080	129.46
	Boom	3G2996	3-up	3G2992	5.500	3.250	I	2550913	292.56
	Boom	6E3833	0-up	6E3834	5.500	3.250	I	2550913	292.56
	Boom	8J1698	9-11	8J1697	5.500	3.250	I	2442080	129.46
	Boom	8J1698	12-up	8J1697	5.500	3.250	I	2550913	292.56
	Boom	9T5230	3-6	9T5229	6.000	3.500	I	2456829	176.51
	Boom	9T5230	7-up	9T5229	6.000	3.500	I	2456828	213.60
	Bucket	6E6007	0-up		5.500	3.250	I	2550913	292.56
	Bucket	9J7006	0-1		5.500	3.250	I	2442079	108.69
	Bucket	9J7006	2-3		5.500	3.250	I	2450579	292.56
	Bucket	9J7006	4-up		5.500	3.250	I	2450601	317.69
	Stick	9J1755	6-13	9J1754	6.000	3.750	I	2445647	358.81
	Stick	9J1755	14-up	9T6940	6.000	3.750	I	2459835	308.55
225D	Boom	9T9747	0-1	9T9748	6.000	3.500	I	2456829	176.51
	Boom	9T9747	2-up	9T9748	6.000	3.500	I	2456828	213.60
	Bucket	6E6007	0-up		5.500	3.250	I	2550913	292.56
	Bucket	9J7006	0-1		5.500	3.250	I	2442079	108.69
	Bucket	9J7006	2-3		5.500	3.250	I	2450579	292.56
	Bucket	9J7006	4-up		5.500	3.250	I	2450601	317.69
	Stick	6E6009	0-up	6E0156	6.000	3.750	I	2459835	308.55
	Stick	9T9744	0-1	9T9745	6.000	3.750	I	2445647	358.81
	Stick	9T9744	2-up	9T9745	6.000	3.750	I	2459835	308.55
	Stick	9T9744	14-up	9T6940	6.000	3.750	I	2459835	308.55
226	Stick	1428955	0-up		-	-	M	1428963	99.70
	Stick	1428956	0-up		-	-	M	1428963	99.70
	Stick	1428960	0-up		-	-	M	1428962	65.79
	Stick	1428961	0-up		-	-	M	1428962	65.79
	Stick	1565512	0-up		-	-	I	1643213	18.17

All manufacturer's names, part numbers and descriptions are used for reference purposes only. We do not imply that any part shown is the product of these manufacturers.

INDUSTRIAL
SEAL KITS

MOBILE
SEAL KITS



CATERPILLAR

Remsa [KITS]

EXCAVATOR

CATERPILLAR

Model	Application	Cylinder Group	Engineering Design Change Level	Cylinder Assembly Part No.	Bore	Rod	I	Ref. Number RCAT-	\$
							M		
227	Boom	3G2996	0-2	3G2992	5.500	3.250	I	2442080	129.46
	Boom	3G2996	3-up	3G2992	5.500	3.250	I	2550913	292.56
	Boom	3G7264	1-2	3G2992	5.500	3.250	I	2442080	129.46
	Boom	3G7264	3-up	3G2992	5.500	3.250	I	2550913	292.56
	Boom	6E3833	0-up	6E3834	5.500	3.250	I	2550913	292.56
	Boom	8J1698	9-11	8J1697	5.500	3.250	I	2442080	129.46
	Boom	8J1698	12-up	8J1697	5.500	3.250	I	2550913	292.56
	Bucket	6E6007	0-up		5.500	3.250	I	2550913	292.56
	Bucket	9J7006	0-1		5.500	3.250	I	2442079	108.69
	Bucket	9J7006	2-3		5.500	3.250	I	2450579	292.56
	Bucket	9J7006	4-up		5.500	3.250	I	2450601	317.69
	Grapple	3G5672	0-up		3.000	1.750	I	2402016	70.99
	Shear	3G2778	2-up	3G2657	6.500	3.250	I	7X2713	112.21
	Stick	1U4732	2-6	1U4731	6.000	3.750	I	2445647	358.81
Stick	1U4732	7-up	1U4731	6.000	3.750	I	2459835	308.55	
Stick	9J1755	6-13	9J1754	6.000	3.750	I	2445647	358.81	
Stick	9J1755	14-up	9T6940	6.000	3.750	I	2459835	308.55	
Tilt	3G9241	2-3	3G9240	4.500	2.500	I	7X2668	142.78	
228	Boom	1428960	0-up		-	-	M	1428962	65.79
	Boom	1428961	0-up		-	-	M	1428962	65.79
	Boom	1565512	0-up		-	-	I	1643213	18.17
229	Boom	3G2996	0-2	3G2992	5.500	3.250	I	2442080	129.46
	Boom	3G2996	3-up	3G2992	5.500	3.250	I	2550913	292.56
	Boom	6E3833	0-up	6E3834	5.500	3.250	I	2550913	292.56
	Boom	8J1698	9-11	8J1697	5.500	3.250	I	2442080	129.46
	Boom	8J1698	12-up	8J1697	5.500	3.250	I	2550913	292.56
	Boom	9T5230	3-6	9T5229	6.000	3.500	I	2456829	176.51
	Boom	9T5230	7-up	9T5229	6.000	3.500	I	2456828	213.60
	Bucket	6E6007	0-up		5.500	3.250	I	2550913	292.56
	Bucket	9J7006	0-1		5.500	3.250	I	2442079	108.69
	Bucket	9J7006	2-3		5.500	3.250	I	2450579	292.56
	Bucket	9J7006	4-up		5.500	3.250	I	2450601	317.69
	Stick	9J1755	6-13	9J1754	6.000	3.750	I	2445647	358.81
	Stick	9J1755	14-up	9T6940	6.000	3.750	I	2459835	308.55

All manufacturer's names, part numbers and descriptions are used for reference purposes only. We do not imply that any part shown is the product of these manufacturers.

INDUSTRIAL SEAL KITS

MOBILE SEAL KITS



CATERPILLAR

CATERPILLAR

EXCAVATOR

INDUSTRIAL
SEAL KITS

MOBILE
SEAL KITS



CATERPILLAR

Model	Application	Cylinder Group	Engineering Design Change Level	Cylinder Assembly Part No.	Bore	Rod	I	Ref. Number RCAT-	\$
							M		
229D	Boom	9T9371	0-up	9T9370	6.000	4.000	I	2460658	227.59
	Bucket	6E6007	0-up		5.500	3.250	I	2550913	292.56
	Bucket	9J7006	0-1		5.500	3.250	I	2442079	108.69
	Bucket	9J7006	2-3		5.500	3.250	I	2450579	292.56
	Bucket	9J7006	4-up		5.500	3.250	I	2450601	317.69
	Stick	6E6009	0-up	6E0156	6.000	3.750	I	2459835	308.55
	Stick	9T9744	0-1	9T9745	6.000	3.750	I	2445647	358.81
	Stick	9T9744	2-up	9T9745	6.000	3.750	I	2459835	308.55
231D	Boom	1052921	0-up	9T9370	6.000	4.000	I	2460658	227.59
	Boom	9T9371	0-up	9T9370	6.000	4.000	I	2460658	227.59
	Bucket	6E5021	0-up	6E5022	6.000	4.000	I	2460658	227.59
235	Bucket	9T9514	1-up	9T9513	6.000	4.000	I	2460658	227.59
	Stick	6E6008	0-up	6E0152	6.500	4.000	I	3E3303	230.50
	Stick	9T9438	0-up	9T9482	6.500	4.000	I	3E3303	230.50
	Boom	1024210	0-up	1024211	6.500	4.250	I	2463429	182.37
	Boom	3G3524	0-3	3G3523	7.250	4.750	I	2481181	265.24
	Boom	3G3524	4-up	3G3523	7.250	4.750	I	2481178	231.58
	Boom	4T1689	2-up	4T1688	6.500	4.250	I	2463429	182.37
	Boom	4T1921	1-up	4T1990	6.500	4.250	I	2463429	182.37
	Boom	6C5856	0-up	4T1990	6.500	4.250	I	2463429	182.37
	Boom	6C5857	0-up	6E4464	6.500	4.250	I	2463429	182.37
Boom	8J4589	4-6	6E4582	6.500	4.250	I	2463430	193.96	
Boom	8J4589	9-up	6E4582	6.500	4.250	I	2463429	182.37	
Boom	9J2153	2-7	9J2152	6.500	4.250	I	2463430	193.96	
Boom	9J2153	10-up	9J2152	6.500	4.250	I	2463429	182.37	
Boom	9T9995	0-up	9T9996	6.500	4.250	I	2463429	182.37	
Bottom Dump	4T0483	0-1	4T0482	7.250	3.000	I	2442056	172.53	
Bottom Dump	4T0483	2-up	4T0482	7.250	3.000	I	2442058	257.72	
Bucket	1024216	0-up	1024217	6.500	4.750	I	2481175	331.14	
Bucket	4T2536	0-1	4T2537	6.500	4.750	I	2481183	235.05	
Bucket	4T2536	2-up	4T2537	6.500	4.750	I	2481175	331.14	
Bucket	4T5883	4-up	4T5882	7.750	5.250	I	2481197	441.47	
Bucket	6E4568	0-1	6E4569	7.780	5.250	I	2481196	461.97	
Bucket	9J4100	0-1	9J4099	6.500	4.750	I	7X7719	223.08	
Bucket	9J4100	2-3	9J4099	6.500	4.750	I	7X7718	210.96	
Bucket	9J4100	4-6	9J4099	6.500	4.750	I	2481183	235.05	
Bucket	9J4100	7-up	9J4099	6.500	4.750	I	2481175	331.14	
Slave	9J4882	0-up		5.000	4.000	I	7X2816	212.31	
Stick	3G5646	0-up	3G5645	7.750	5.000	I	2463434	457.17	
Stick	6E5096	0-up	6E4594	7.750	5.000	I	1945585	383.30	
Stick	9J1755	6-13	9J1754	6.000	3.750	I	2445647	358.81	
Stick	9J1755	14-up	9T6940	6.000	3.750	I	2459835	308.55	
Stick	9T1387	1-up	3G5645	7.750	5.000	I	2463434	457.17	
Stick	9T9354	0-4	9T9272	7.750	5.000	I	2463434	457.17	
Stick	9T9354	5-up	6E4594	7.750	5.000	I	1945585	383.30	

All manufacturer's names, part numbers and descriptions are used for reference purposes only. We do not imply that any part shown is the product of these manufacturers.

EXCAVATOR

CATERPILLAR

Model	Application	Cylinder Group	Engineering Design Change Level	Cylinder Assembly Part No.	Bore	Rod	I	Ref. Number RCAT-	\$
							M		
235B	Boom	1024210	0-up	1024211	6.500	4.250	I	2463429	182.37
	Boom	4T1689	2-up	4T1688	6.500	4.250	I	2463429	182.37
	Boom	4T1921	1-up	4T1990	6.500	4.250	I	2463429	182.37
	Boom	6C5856	0-up	4T1990	6.500	4.250	I	2463429	182.37
	Boom	6C5857	0-up	6E4464	6.500	4.250	I	2463429	182.37
	Boom	9T9995	0-up	9T9996	6.500	4.250	I	2463429	182.37
	Bottom Dump	4T0483	0-1	4T0482	7.250	3.000	I	2442056	172.53
	Bottom Dump	4T0483	2-up	4T0482	7.250	3.000	I	2442058	257.72
	Bucket	1024216	0-up	1024217	6.500	4.750	I	2481175	331.14
	Bucket	4T2536	0-1	4T2537	6.500	4.750	I	2481183	235.05
	Bucket	4T2536	2-up	4T2537	6.500	4.750	I	2481175	331.14
	Bucket	4T5883	4-up	4T5882	7.750	5.250	I	2481197	441.47
	Bucket	6E4568	0-1	6E4569	7.780	5.250	I	2481196	461.97
	Slave	9J4882	0-up		5.000	4.000	I	7X2816	212.31
	Stick	3G5646	0-up	3G5645	7.750	5.000	I	2463434	457.17
	Stick	6E5096	0-up	6E4594	7.750	5.000	I	1945585	383.30
	Stick	9T1387	1-up	3G5645	7.750	5.000	I	2463434	457.17
	Stick	9T9354	0-4	9T9272	7.750	5.000	I	2463434	457.17
	Stick	9T9354	5-up	6E4594	7.750	5.000	I	1945585	383.30
235C	Boom	1024210	0-up	1024211	6.500	4.250	I	2463429	182.37
	Boom	4T1689	2-up	4T1688	6.500	4.250	I	2463429	182.37
	Boom	4T1921	1-up	4T1990	6.500	4.250	I	2463429	182.37
	Boom	6C5856	0-up	4T1990	6.500	4.250	I	2463429	182.37
	Boom	6C5857	0-up	6E4464	6.500	4.250	I	2463429	182.37
	Boom	6E1643	2-up	9T9359	7.000	4.750	I	2481179	334.52
	Boom	9T6615	0-up	9T6616	7.000	4.750	I	2481185	332.27
	Boom	9T9360	2-up	9T9359	7.000	4.750	I	2481179	334.52
	Boom	9T9995	0-up	9T9996	6.500	4.250	I	2463429	182.37
	Bottom Dump	4T0483	0-1	4T0482	7.250	3.000	I	2442056	172.53
	Bottom Dump	4T0483	2-up	4T0482	7.250	3.000	I	2442058	257.72
	Bucket	1024216	0-up	1024217	6.500	4.750	I	2481175	331.14
	Bucket	4T2536	0-1	4T2537	6.500	4.750	I	2481183	235.05
	Bucket	4T2536	2-up	4T2537	6.500	4.750	I	2481175	331.14
	Bucket	4T5883	4-up	4T5882	7.750	5.250	I	2481197	441.47
	Bucket	6E4568	0-1	6E4569	7.780	5.250	I	2481196	461.97
	Slave	9J4882	0-up		5.000	4.000	I	7X2816	212.31
	Stick	3G5646	0-up	3G5645	7.750	5.000	I	2463434	457.17
	Stick	6E5096	0-up	6E4594	7.750	5.000	I	1945585	383.30
	Stick	9T1387	1-up	3G5645	7.750	5.000	I	2463434	457.17
	Stick	9T9354	0-4	9T9272	7.750	5.000	I	2463434	457.17
	Stick	9T9354	5-up	6E4594	7.750	5.000	I	1945585	383.30

All manufacturer's names, part numbers and descriptions are used for reference purposes only. We do not imply that any part shown is the product of these manufacturers.

INDUSTRIAL SEAL KITS

MOBILE SEAL KITS



CATERPILLAR

CATERPILLAR

EXCAVATOR

Model	Application	Cylinder Group	Engineering Design Change Level	Cylinder Assembly Part No.	Bore	Rod	I	Ref. Number RCAT-	\$
							M		
235D	Boom	1024210	0-up	1024211	6.500	4.250	I	2463429	182.37
	Boom	4T1689	2-up	4T1688	6.500	4.250	I	2463429	182.37
	Boom	6C5856	0-up	4T1990	6.500	4.250	I	2463429	182.37
	Boom	6C5857	0-up	6E4464	6.500	4.250	I	2463429	182.37
	Boom	6E1643	2-up	9T9359	7.000	4.750	I	2481179	334.52
	Boom	9T9995	0-up	9T9996	6.500	4.250	I	2463429	182.37
	Bottom Dump	4T0483	0-1	4T0482	7.250	3.000	I	2442056	172.53
Bottom Dump	4T0483	2-up	4T0482	7.250	3.000	I	2442058	257.72	
Bucket	1024216	0-up	1024217	6.500	4.750	I	2481175	331.14	
Bucket	4T2536	0-1	4T2537	6.500	4.750	I	2481183	235.05	
Bucket	4T2536	2-up	4T2537	6.500	4.750	I	2481175	331.14	
Bucket	4T5883	4-up	4T5882	7.750	5.250	I	2481197	441.47	
Bucket	6E4568	0-1	6E4569	7.780	5.250	I	2481196	461.97	
Slave	9J4882	0-up		5.000	4.000	I	7X2816	212.31	
Stick	6E5096	0-up	6E4594	7.750	5.000	I	1945585	383.30	
Stick	9T9354	0-4	9T9272	7.750	5.000	I	2463434	457.17	
Stick	9T9354	5-up	6E4594	7.750	5.000	I	1945585	383.30	
236	Ripper	1429190	0-up		-	-	M	1429192	116.33
	Ripper	1429191	0-up		-	-	M	1429192	116.33
	Ripper	1429195	0-up		-	-	M	1429193	88.42
	Ripper	1429196	0-up		-	-	M	1429193	88.42
	Ripper	1545018	0-up		-	-	I	1643213	18.17
245	Boom	1024212	0-up	1024213	7.000	4.750	I	2481179	334.52
	Boom	3G3524	0-3	3G3523	7.250	4.750	I	2481181	265.24
	Boom	3G3524	4-up	3G3523	7.250	4.750	I	2481178	231.58
	Boom	8J3720	0-10	8J3719	7.000	4.750	I	2481182	291.57
	Boom	8J3720	11-up	8J3719	7.000	4.750	I	2481179	334.52
	Boom	9J5379	0-6	9J7235	7.000	4.750	I	2481182	291.57
	Boom	9J5379	7-up	9J7235	7.000	4.750	I	2481179	334.52
	Boom	9T9358	0-up	9T9357	7.250	4.750	I	2481178	231.58
	Bottom Dump	1U1659	0	1U2632	7.750	3.500	I	9X2644	194.64
	Bucket	1U1646	0-1	1U1647	7.000	4.750	I	2481182	291.57
	Bucket	1U1646	2-up	1U1647	7.000	4.750	I	2481179	334.52
	Bucket	4T5883	4-up	4T5882	7.750	5.250	I	2481197	441.47
	Bucket	6E4568	0-1	6E4569	7.780	5.250	I	2481196	461.97
	Bucket	8J8721	0-up		7.000	4.750	I	2481182	291.57
	Bucket	9J9398	0-1	9J9397	7.000	5.750	I	2463439	192.49
	Lift	8J6167	1-5	8J6159	5.000	2.500	I	2430386	157.63
	Lift	8J6167	6-up	8J6159	5.000	2.500	I	2430387	142.57
Master	3G4615	0-3	3G4612	6.000	5.000	I	8T1909	283.61	
Stick	1011908	0-up	6E4596	8.250	5.750	I	2463440	579.65	
Stick	3G2778	5-up	3G1307	8.250	5.750	I	2463440	579.65	
Stick	6E5093	0-up	6E4596	8.250	5.750	I	2463440	579.65	
Stick	9T1388	0-up	3G1307	8.250	5.750	I	2463440	579.65	
Stick	9T9356	0-up	9T9355	8.250	5.750	I	2463440	579.65	

All manufacturer's names, part numbers and descriptions are used for reference purposes only. We do not imply that any part shown is the product of these manufacturers.

INDUSTRIAL
SEAL KITS

MOBILE
SEAL KITS



CATERPILLAR

EXCAVATOR

CATERPILLAR

Model	Application	Cylinder Group	Engineering Design Change Level	Cylinder Assembly Part No.	Bore	Rod	I	Ref. Number RCAT-	\$	
							M			
245B	Boom	1024212	0-up	1024213	7.000	4.750	I	2481179	334.52	
	Boom	3G3524	0-3	3G3523	7.250	4.750	I	2481181	265.24	
	Boom	3G3524	4-up	3G3523	7.250	4.750	I	2481178	231.58	
	Boom	8J3720	0-10	8J3719	7.000	4.750	I	2481182	291.57	
	Boom	8J3720	11-up	8J3719	7.000	4.750	I	2481179	334.52	
	Boom	9J5379	0-6	9J7235	7.000	4.750	I	2481182	291.57	
	Boom	9J5379	7-up	9J7235	7.000	4.750	I	2481179	334.52	
	Boom	9T9358	0-up	9T9357	7.250	4.750	I	2481178	231.58	
	Bottom Dump	1U1659	0	1U2632	7.750	3.500	I	9X2644	194.64	
	Bucket	1U1646	0-1	1U1647	7.000	4.750	I	2481182	291.57	
	Bucket	1U1646	2-up	1U1647	7.000	4.750	I	2481179	334.52	
	Bucket	4T5883	4-up	4T5882	7.750	5.250	I	2481197	441.47	
	Bucket	6E4568	0-1	6E4569	7.780	5.250	I	2481196	461.97	
	Bucket	8J8721	0-up		7.000	4.750	I	2481182	291.57	
245D	Bucket	9J7755	0-3	9J7756	7.000	5.750	I	2463439	192.49	
	Bucket	9J9397	0-1	9J9397	7.000	5.750	I	2463439	192.49	
	Lift	8J6167	1-5	8J6159	5.000	2.500	I	2430386	157.63	
	Lift	8J6167	6-up	8J6159	5.000	2.500	I	2430387	142.57	
	Master	3G4615	0-3	3G4612	6.000	5.000	I	8T1909	283.61	
	Stick	1011908	0-up	6E4596	8.250	5.750	I	2463440	579.65	
	Stick	3G2778	5-up	3G1307	8.250	5.750	I	2463440	579.65	
	Stick	6E5093	0-up	6E4596	8.250	5.750	I	2463440	579.65	
	Stick	9T1388	0-up	3G1307	8.250	5.750	I	2463440	579.65	
	Stick	9T9356	0-up	9T9355	8.250	5.750	I	2463440	579.65	
	245D	Boom	1024212	0-up	1024213	7.000	4.750	I	2481179	334.52
		Boom	3G3524	0-3	3G3523	7.250	4.750	I	2481181	265.24
		Boom	3G3524	4-up	3G3523	7.250	4.750	I	2481178	231.58
		Boom	8J3720	0-10	8J3719	7.000	4.750	I	2481182	291.57
Boom		8J3720	11-up	8J3719	7.000	4.750	I	2481179	334.52	
Boom		8J3750	3-10	8J3719	7.000	4.750	I	2481182	291.57	
Boom		9J5379	0-6	9J7235	7.000	4.750	I	2481182	291.57	
Boom		9J5379	7-up	9J7235	7.000	4.750	I	2481179	334.52	
Boom		9T9358	0-up	9T9357	7.250	4.750	I	2481178	231.58	
Bottom Dump		1U1659	0	1U2632	7.750	3.500	I	9X2644	194.64	
Bucket		1U1646	0-1	1U1647	7.000	4.750	I	2481182	291.57	
Bucket		1U1646	2-up	1U1647	7.000	4.750	I	2481179	334.52	
Bucket		4T5883	4-up	4T5882	7.750	5.250	I	2481197	441.47	
Bucket		6E4568	0-1	6E4569	7.780	5.250	I	2481196	461.97	
Bucket	8J8721	0-up		7.000	4.750	I	2481182	291.57		
Bucket	9J9398	0-1	9J9397	7.000	5.750	I	2463439	192.49		
Lift	8J6167	1-5	8J6159	5.000	2.500	I	2430386	157.63		
Lift	8J6167	6-up	8J6159	5.000	2.500	I	2430387	142.57		
Master	3G4615	0-3	3G4612	6.000	5.000	I	8T1909	283.61		
Stick	1011908	0-up	6E4596	8.250	5.750	I	2463440	579.65		
Stick	3G2778	5	3G1307	8.250	5.750	I	2463440	579.65		
Stick	3G2798	4-7	3G1307	8.250	5.750	I	2430383	86.70		
Stick	3G2798	8-up	3G1307	8.250	5.750	I	2430395	165.47		

All manufacturer's names, part numbers and descriptions are used for reference purposes only. We do not imply that any part shown is the product of these manufacturers.

INDUSTRIAL SEAL KITS

MOBILE SEAL KITS



CATERPILLAR

CATERPILLAR

EXCAVATOR

Model	Application	Cylinder Group	Engineering Design Change Level	Cylinder Assembly Part No.	Bore	Rod	I	Ref. Number RCAT-	\$
							M		
246	Stick	6E5093	0-up	6E4596	8.250	5.750	I	2463440	579.65
	Stick	9T1388	0-up	3G1307	8.250	5.750	I	2463440	579.65
	Stick	9T9356	0-up	9T9355	8.250	5.750	I	2463440	579.65
	Tilt	1429190	0-up		-	-	M	1429192	116.33
	Tilt	1429191	0-up		-	-	M	1429192	116.33
	Tilt	1429195	0-up		-	-	M	1429193	88.42
	Tilt	1429196	0-up		-	-	M	1429193	88.42
	Tilt	1545018	0-up		-	-	I	1643213	18.17
248	Tilt	1565512	0-up		-	-	I	1643213	18.17
	Tilt	1429195	0-up		-	-	M	1429193	88.42
	Tilt	1429196	0-up		-	-	M	1429193	88.42
	Tilt	1545018	0-up		-	-	I	1643213	18.17
301.5	Tilt	1565512	0-up		-	-	I	1643213	18.17
	Blade	1445992	0-up	1472635	60.00	30.00	M	1608546	56.59
	Boom	1445988	0-up	1470887	60.00	30.00	M	1608546	56.59
	Boom	1445991	0-up	1469015	60.00	30.00	M	1608546	56.59
	Boom	1625851	0-up		60.00	30.00	M	1608546	56.59
	Bucket	1445990	0-up	1474429	55.00	30.00	M	1608548	43.18
	Stick	1445989	0-up	1473122	60.00	35.00	M	1608547	56.35
307	Blade LH	1076377	0-up	1076378	90.00	50.00	M	0933045	0/R
	Blade LH	1148378	0-up	1148380	90.00	50.00	M	0933045	0/R
307B	Blade RH	1076472	0-up	1076473	90.00	50.00	M	0933045	0/R
	Blade RH	1148377	0-up	1148379	90.00	50.00	M	0933045	0/R
	Boom	1038195	0-up	1038196	110.00	75.00	M	1697896	328.26
	Bucket	1057238	0-up	1057239	80.00	55.00	M	1697845	183.88
	Offset	1057468	0-up	1057469	100.00	55.00	M	1057480	177.39
	Offset	1239937	0-up	1239938	100.00	55.00	M	1057480	177.39
	Stick	1038320	0-up	1038321	90.00	60.00	M	1697895	164.97
	Blade	1231627	0-up	1231631	120.00	80.00	M	1697835	181.54
	Blade	1624835	0-up	1624836	120.00	80.00	M	1697835	181.54
	Boom	1336759	0-up	1038196	110.00	75.00	M	1697826	106.77
	Boom	1437980	0-up	1438010	110.00	75.00	M	1697826	106.77
	Boom	1505901	0-up	1239938	100.00	55.00	M	1697829	224.67
	Bucket	1336765	0-up	1057239	80.00	55.00	M	1697828	202.05
	Off set	1239937	0-up	1239938	100.00	55.00	M	1057480	177.39
	Stick	1475903	0-up	1038321	90.00	60.00	M	1697827	269.66
	Stick	1505899	0-up	1251495	90.00	60.00	M	1697827	269.66
	Swing	1437981	0-up	1437985	100.00	65.00	M	1697830	185.67

All manufacturer's names, part numbers and descriptions are used for reference purposes only. We do not imply that any part shown is the product of these manufacturers.

INDUSTRIAL
SEAL KITS

MOBILE
SEAL KITS



CATERPILLAR

Remsa [KITS]

EXCAVATOR

CATERPILLAR

Model	Application	Cylinder Group	Engineering Design Change Level	Cylinder Assembly Part No.	Bore	Rod	I	Ref. Number RCAT-	\$
							M		
308B	Blade	1231627	0-up	1231631	120.00	80.00	M	1697835	181.54
	Blade	1624835	0-up	1624836	120.00	80.00	M	1697835	181.54
	Boom	1231615	0-up	1231619	120.00	75.00	M	1697831	227.91
	Boom	1348799	0	1348800	110.00	75.00	M	1697896	328.26
	Bucket	1057238	0-up	1057239	80.00	55.00	M	1697845	183.88
	Bucket	1602119	0-up	1602120	85.00	60.00	M	1697833	316.94
	Offset	1231635	0-up	1231639	100.00	55.00	M	1697834	180.44
	Stick	1038320	0-up	1038321	90.00	60.00	M	1697895	164.97
	Stick	1231642	0-up	1231646	100.00	70.00	M	1697832	194.08
311	Boom	1251548	0-up	616806	100.00	70.00	M	616858	214.38
	Boom	418841	0-up	616808	100.00	70.00	M	616858	214.38
311B	Bucket	1346987	0-up	1195448	100.00	65.00	M	1764935	185.80
	Stick	1251549	0-up	616815	110.00	75.00	M	418913	244.34
	Stick	418842	0-up	616815	110.00	75.00	M	418913	244.34
311B	Blade LH	1298009	0-up	1298011	120.00	80.00	M	1697835	181.54
	Blade RH	1298010	0-up	1298012	120.00	80.00	M	1697835	181.54
	Boom	1211395	0-up	1211396	100.00	70.00	M	1211405	209.48
	Boom	1438159	0-up	1211396	100.00	70.00	M	1697836	271.32
	Bucket	1438158	0-up	1195448	100.00	65.00	M	1697839	183.93
	Stick	1211406	0-up	1211407	110.00	75.00	M	1195435	248.07
	Stick	1438160	0-up	1211407	110.00	75.00	M	1697837	218.10
	Stick	1438160	0-up	1211407	110.00	75.00	M	1697837	218.10
312	Boom	1251545	0-up	513017	110.00	75.00	M	418913	244.34
	Boom	418838	0-up	513017	110.00	75.00	M	418913	244.34
	Bucket	1346987	0-up	1195448	100.00	65.00	M	1764935	185.80
	Stick	1251546	0-up	513032	120.00	80.00	M	513047	205.60
	Stick	418839	0-up	513032	120.00	80.00	M	513047	205.60
312B	Blade LH	1298009	0-up	1298011	120.00	80.00	M	1697835	181.54
	Blade RH	1298010	0-up	1298012	120.00	80.00	M	1697835	181.54
	Boom	1195425	0-up	1195426	110.00	75.00	M	1195435	248.07
	Boom	1438156	0-up	1195426	110.00	75.00	M	1697837	218.10
	Bucket	1438158	0-up	1195448	100.00	65.00	M	1697839	183.93
	Stick	1195436	0-up	1195437	120.00	80.00	M	1195446	226.33
	Stick	1438157	0-up	1195437	120.00	80.00	M	1697838	227.82
	Stick	1438157	0-up	1195437	120.00	80.00	M	1697838	227.82

All manufacturer's names, part numbers and descriptions are used for reference purposes only. We do not imply that any part shown is the product of these manufacturers.

INDUSTRIAL SEAL KITS

MOBILE SEAL KITS



CATERPILLAR

CATERPILLAR

EXCAVATOR

Model	Application	Cylinder Group	Engineering Design Change Level	Cylinder Assembly Part No.	Bore	Rod	I	Ref. Number RCAT-	\$
							M		
313B	Blade LH	1298009	0-up	1298011	120.00	80.00	M	1697835	181.54
	Blade RH	1298010	0-up	1298012	120.00	80.00	M	1697835	181.54
	Boom	1347819	0-up	1347820	110.00	75.00	M	1697844	216.14
	Boom	1425424	0-up	1148520	110.00	75.00	M	1697840	273.53
	Boom	1624758	0-up	1195426	110.00	75.00	M	1697837	218.10
	Boom LH	1347788	0-up	1251896	110.00	75.00	M	1697844	216.14
	Boom RH	1347790	0-up	1251896	110.00	75.00	M	1697844	216.14
	Bucket	1346987	0-up	1195448	100.00	65.00	M	1764935	185.80
	Bucket	1425430	0-up	1195448	100.00	65.00	M	1697842	246.26
	Bucket	1438158	0-up	1195448	100.00	65.00	M	1697839	183.93
N/A	1425384	0-up	1347820	110.00	75.00	M	1697844	216.14	
Offset	1239906	0-up	1239907	130.00	70.00	M	1697843	246.78	
	Stick	1195436	0-up	1195437	120.00	80.00	M	1195446	226.33
	Stick	1211406	0-up	1211407	110.00	75.00	M	1195435	248.07
	Stick	1425427	0-up	1239944	120.00	80.00	M	1697841	243.91
	Stick	1438157	0-up	1195437	120.00	80.00	M	1697838	227.82
	Stick	1438160	0-up	1211407	110.00	75.00	M	1697837	218.10
315	Boom	1057336	0-up	1057337	110.00	80.00	M	1057359	205.84
	Boom	1276046	0-up	1057337	110.00	80.00	M	1057359	205.84
	Boom	1624671	0-up	1057337	110.00	80.00	M	1624675	227.38
	Bucket	1057381	0-up	1057382	100.00	70.00	M	1057397	170.25
	Bucket	1076640	0-up	1076641	110.00	80.00	M	1057359	205.84
	Bucket	1276056	0-up	1057382	100.00	70.00	M	1057397	170.25
	Bucket	1276060	0-up	1076641	110.00	80.00	M	1057359	205.84
	Bucket	1624673	0-up	1057382	100.00	70.00	M	1624677	208.33
	Bucket	1624674	0-up	1076641	110.00	80.00	M	1624678	227.38
	Stick	1057362	0-1		110.00	80.00	M	1057359	205.84
	Stick	1057362	2-up	1140473	120.00	85.00	M	1057379	217.64
	Stick	1276051	0-up	1140473	120.00	85.00	M	1057379	217.64
	Stick	1624672	0-up	1140473	120.00	85.00	M	1624676	266.39
315B	Boom	1336630	0-up	1336641	110.00	80.00	M	1336646	194.01
	Boom	1556251	0-up	1336641	110.00	80.00	M	1659420	221.43
	Bucket	1336636	0-up	1336672	100.00	70.00	M	1336691	180.62
	Bucket	1336639	0-up	1336707	110.00	80.00	M	1336646	194.01
	Bucket	1559255	0-up	1336672	100.00	70.00	M	1709827	202.73
	N/A	1588923	0-up	1336707	110.00	80.00	M	1659420	221.43
	Stick	1336633	0-up	1336652	120.00	85.00	M	2502487	113.34
317	Boom	1057336	0-up	1057337	110.00	80.00	M	1057359	205.84
	Boom	1624671	0-up	1057337	110.00	80.00	M	1624675	227.38
	Bucket	1057381	0-up	1057382	100.00	70.00	M	1057397	170.25
	Bucket	1076640	0-up	1076641	110.00	80.00	M	1057359	205.84
	Bucket	1276056	0-up	1057382	100.00	70.00	M	1057397	170.25
	Bucket	1276060	0-up	1076641	110.00	80.00	M	1057359	205.84
	Bucket	1624673	0-up	1057382	100.00	70.00	M	1624677	208.33
	Bucket	1624674	0-up	1076641	110.00	80.00	M	1624678	227.38

All manufacturer's names, part numbers and descriptions are used for reference purposes only. We do not imply that any part shown is the product of these manufacturers.

INDUSTRIAL
SEAL KITS

MOBILE
SEAL KITS



CATERPILLAR

Remsa [KITS]

EXCAVATOR

CATERPILLAR

Model	Application	Cylinder Group	Engineering Design Change Level	Cylinder Assembly Part No.	Bore	Rod	I	Ref. Number RCAT-	\$
							M		
317B	Stick	1057362	0-up		120.00	85.00	M	1057379	217.64
	Stick	1276051	0-up	1140473	120.00	85.00	M	1057379	217.64
	Stick	1624672	0-up	1140473	120.00	85.00	M	1624676	266.39
	Boom	1336630	0-up	1336641	110.00	80.00	M	1336646	194.01
	Boom	1556251	0-up	1336641	110.00	80.00	M	1659420	221.43
	Bucket	1336636	0-up	1336672	100.00	70.00	M	1336691	180.62
	Bucket	1336639	0-up	1336707	110.00	80.00	M	1336646	194.01
	Bucket	1559255	0-up	1336672	100.00	70.00	M	1709827	202.73
318B	N/A	1588923	0-up	1336707	110.00	80.00	M	1659420	221.43
	Stick	1336633	0-up	1336652	120.00	85.00	M	2502487	113.34
	Bucket	1184134	0-up	1184142	120.00	85.00	M	2465938	258.68
	Bucket	1475763	0-up	1336707	110.00	80.00	M	1659420	221.43
	N/A	1183967	0-up		120.00	85.00	M	2043627	277.39
	N/A	1475755	0-up		120.00	85.00	M	2043625	191.11
	N/A	1475759	0-up		130.00	95.00	M	2095959	372.77
	N/A	1475762	0-up		110.00	80.00	M	2478995	508.92
320	Stick	1475760	0-up	1475843	130.00	95.00	M	1659419	276.63
	Boom	0874898	0-up		140.00	100.00	M	1597774	415.07
	Boom	0875491	0-1	418865	120.00	85.00	M	2465939	250.85
	Boom	0875496	0-up	0875497	120.00	85.00	M	2502487	113.34
320B	Boom	1069596	0-up	1069594	160.00	95.00	M	2330764	162.75
	Boom VA	6C6085	0-up	6C6086	160.00	95.00	M	2330764	162.75
	Bucket	0875633	0-up	411040	120.00	85.00	M	2465938	258.68
	Bucket	1185931	0-1	418879	120.00	85.00	M	2465935	353.12
	Bucket	1346987	0-up	1195448	100.00	65.00	M	1764935	185.80
	Bucket	417652	0-up	418901	100.00	65.00	M	2222376	163.86
	Bucket	717291	0-up	717292	130.00	85.00	M	1997425	286.26
	Bucket	7Y5100	0-up	411620	130.00	85.00	M	2465937	286.59
	Stick	0875422	0-up	0875423	140.00	100.00	M	1997427	273.81
	Stick	0875493	0-up		140.00	100.00	M	1597774	415.07
	Stick	0876638	0-up	0876639	140.00	100.00	M	1997427	273.81
	Stick	7Y4650	0-up		150.00	105.00	M	2481168	262.09
320B	Boom	1183953	0-up		140.00	100.00	M	2043626	275.44
	Boom	1183955	0-up		140.00	100.00	M	2043626	275.44
	Boom	1184023	0-up		120.00	85.00	M	2043625	191.11
	Boom	1184128	0-up	1184129	120.00	85.00	M	2502487	113.34
	Boom	1232081	0-up	1232119	150.00	105.00	M	1373767	351.69
	Bucket	1183967	0-up		120.00	85.00	M	2043627	277.39
	Bucket	1184134	0-up	1184142	120.00	85.00	M	2465938	258.68
	Bucket	1232044	0-up	1184011	130.00	90.00	M	2470257	275.55
	Bucket	1232084	0-up	1232125	130.00	90.00	M	1373768	369.87
	Bucket	1346987	0-up	1195448	100.00	65.00	M	1764935	185.80
N/A	417652	0-up	418901	100.00	65.00	M	2222376	163.86	
N/A	1336770	0-up	1336824	140.00	100.00	M	2590634	327.67	

All manufacturer's names, part numbers and descriptions are used for reference purposes only. We do not imply that any part shown is the product of these manufacturers.

INDUSTRIAL SEAL KITS

MOBILE SEAL KITS



CATERPILLAR

CATERPILLAR

EXCAVATOR

Model	Application	Cylinder Group	Engineering Design Change Level	Cylinder Assembly Part No.	Bore	Rod	I	Ref. Number RCAT-	\$
							M		
	N/A	1336771	0-up	1336831	150.00	105.00	M	1373767	351.69
	N/A	1336812	0-up	1232125	130.00	90.00	M	1373768	369.87
	N/A	1443127	4-up	1613541	-	-	M	1450715	1294.12
	N/A	1450632	0-up		-	-	M	1450634	1220.87
	N/A	1450713	0-up		-	-	M	1450715	1294.12
	N/A	1540727	0-up	1297771	120.00	85.00	M	1540728	409.55
	N/A	1540734	0-up	1261942	140.00	100.00	M	1540735	336.32
	N/A	1540741	0-up	1261945	140.00	100.00	M	1540735	336.32
	N/A	1540743	0-up	1261948	120.00	85.00	M	1540744	393.86
	N/A	1540772	0-up	1232125	130.00	90.00	M	2590626	396.08
	N/A	1583051	0-up	1604683	-	-	M	1612010	832.94
	N/A	1587793	0-up	1604691	-	-	M	1612011	807.10
	Shear	1453751	0-up	1448032	-	-	M	1456437	897.45
	Stick	1184000	0-up	1184001	150.00	105.00	M	2481168	262.09
	Stick	1184150	0-up	1184151	140.00	100.00	M	2481165	254.70
	Stick	1184156	0-up	1184157	140.00	100.00	M	2481165	254.70
	Tilt	1262119	0-up	1298022	125.00	85.00	M	1347123	727.26
320S	Boom	0875496	0-up	0875497	120.00	85.00	M	2502487	113.34
	Boom	1069596	0-up	1069594	160.00	95.00	M	2330764	162.75
	Bucket	0875633	0-up	4I1040	120.00	85.00	M	2465938	258.68
	Bucket	7Y5100	0-up	4I1620	130.00	85.00	M	2465937	286.59
	N/A	6C6085	0-up	6C6086	160.00	95.00	M	2330764	162.75
	Stick	0875422	0-up	0875423	140.00	100.00	M	1997427	273.81
	Stick	0876638	0-up	0876639	140.00	100.00	M	1997427	273.81
321B	Bucket	1232084	0-up	1232125	130.00	90.00	M	1373768	369.87
	N/A	1183967	0-up		120.00	85.00	M	2043627	277.39
322	Boom	1052571	0-up		130.00	90.00	M	1052585	406.47
	Boom	1052588	0-up		140.00	100.00	M	1597774	415.07
	Boom	6C9407	0-up	6C9416	170.00	100.00	M	2330763	365.82
	Boom	7I1345	0-up	7I1346	130.00	90.00	M	2502486	302.97
	Bucket	0875633	0-up	4I1040	120.00	85.00	M	2465938	258.68
	Bucket	1052597	0-up		130.00	85.00	M	1052601	363.90
	Bucket	1185931	0-1	4I8879	120.00	85.00	M	2465935	353.12
	Bucket	7I7291	0-up	7I7292	130.00	85.00	M	1997425	286.26
	Bucket	7Y5100	0-up	4I1620	130.00	85.00	M	2465937	286.59
	Bucket	7Y5150	0-up	4I1624	150.00	105.00	M	2481168	262.09
	Stick	7I7341	0-up	7I7342	140.00	100.00	M	1997427	273.81

All manufacturer's names, part numbers and descriptions are used for reference purposes only. We do not imply that any part shown is the product of these manufacturers.

INDUSTRIAL
SEAL KITS

MOBILE
SEAL KITS



CATERPILLAR

EXCAVATOR

CATERPILLAR

Model	Application	Cylinder Group	Engineering Design Change Level	Cylinder Assembly Part No.	Bore	Rod	I	Ref. Number RCAT-	\$	
							M			
322B	Boom	1140636	0-up	1140637	140.00	100.00	M	2481163	298.12	
	Boom	1184069	0-up		130.00	90.00	M	2043629	406.26	
	Boom	1184070	0-up		140.00	100.00	M	2043626	275.44	
	Boom	1184166	0-up	1184167	130.00	90.00	M	2470257	275.55	
	Boom	6C9407	0-up	6C9416	170.00	100.00	M	2330763	365.82	
	Bucket	1183921	0-up	1183922	150.00	105.00	M	2481168	262.09	
	Bucket	1184008	0-up	1184185	130.00	90.00	M	2470257	275.55	
	Bucket	1184134	0-up	1184142	120.00	85.00	M	2465938	258.68	
	Bucket	1232044	0-up	1184011	130.00	90.00	M	2470257	275.55	
	Bucket	1232091	0-up	1261888	130.00	90.00	M	2590627	372.61	
	Bucket	1336810	0-up	1183922	150.00	105.00	M	2481168	262.09	
	Bucket	1346987	0-up	1195448	100.00	65.00	M	1764935	185.80	
	N/A		1183967	0-up		120.00	85.00	M	2043627	277.39
	N/A		1540743	0-up	1261948	120.00	85.00	M	1540744	393.86
	N/A		1540747	0-up	1297774	130.00	90.00	M	1540748	241.92
	N/A		1540754	0-up	1261881	140.00	100.00	M	1540735	336.32
N/A		1540756	0-up	1261888	130.00	90.00	M	1540757	376.49	
Stick		1163638	0-up	1163639	170.00	110.00	M	2159990	301.81	
Stick		1184000	0-up	1184001	150.00	105.00	M	2481168	262.09	
Stick		1184176	0-up	1184177	140.00	100.00	M	2481163	298.12	
325	Boom	6C9407	0-up	6C9416	170.00	100.00	M	2330763	365.82	
	Boom	7Y4601	0-up	4I1612	130.00	95.00	M	1764999	192.81	
	Bucket	0875491	0-1	4I8865	120.00	85.00	M	2465939	250.85	
Bucket		0875633	0-up	4I1040	120.00	85.00	M	2465938	258.68	
Bucket		1346987	0-up	1195448	100.00	65.00	M	1764935	185.80	
Bucket		4I7652	0-up	4I8901	100.00	65.00	M	2222376	163.86	
Bucket		7I7291	0-up	7I7292	130.00	85.00	M	1997425	286.26	
Bucket		7Y5100	0-up	4I1620	130.00	85.00	M	2465937	286.59	
Bucket		7Y5150	0-up	4I1624	150.00	105.00	M	2481168	262.09	
Stick		7Y4650	0-up		150.00	105.00	M	2481168	262.09	
325B	Boom	1077040	0-up		140.00	100.00	M	1373766	260.14	
	Boom	1140636	0-up	1140637	140.00	100.00	M	2481163	298.12	
	Boom	1232081	0-up	1232119	150.00	105.00	M	1373767	351.69	
	Boom	6C9407	0-up	6C9416	170.00	100.00	M	2330763	365.82	
	Bucket		1183921	0-up	1183922	150.00	105.00	M	2481168	262.09
	Bucket		1184134	0-up	1184142	120.00	85.00	M	2465938	258.68
	Bucket		1232044	0-up	1184011	130.00	90.00	M	2470257	275.55
	Bucket		1232084	0-up	1232125	130.00	90.00	M	1373768	369.87
	Bucket		1336810	0-up	1183922	150.00	105.00	M	2481168	262.09
	Bucket		1497610	0-up	1497611	130.00	90.00	M	2502486	302.97
	Bucket		4I1726	0-up	4I1727	160.00	110.00	M	2481172	320.68
	Bucket		4I7652	0-up	4I8901	100.00	65.00	M	2222376	163.86
	N/A		1540760	0-up	1438097	140.00	100.00	M	1540761	320.97
	N/A		1540765	0-up	1232119	150.00	105.00	M	1540766	329.53
	N/A		1540772	0-up	1232125	130.00	90.00	M	2590626	396.08
	Stick		1163638	0-up	1163639	170.00	110.00	M	2159990	301.81

All manufacturer's names, part numbers and descriptions are used for reference purposes only. We do not imply that any part shown is the product of these manufacturers.

INDUSTRIAL SEAL KITS

MOBILE SEAL KITS



CATERPILLAR

CATERPILLAR

EXCAVATOR

Model	Application	Cylinder Group	Engineering Design Change Level	Cylinder Assembly Part No.	Bore	Rod	I	Ref. Number RCAT-	\$
							M		
330	Stick	1184000	0-up	1184001	150.00	105.00	M	2481168	262.09
	Stick	1479427	0-up	1479428	150.00	105.00	M	2481168	262.09
	Boom	7Y4906	0-up		150.00	105.00	M	2481168	262.09
	Bucket	0875531	0-up	4I0981	160.00	110.00	M	2481173	311.65
	Bucket	7Y5100	0-up	4I1620	130.00	85.00	M	2465937	286.59
	Bucket	7Y5150	0-up	4I1624	150.00	105.00	M	2481168	262.09
330B	Stick	7Y4926	0-up	4I1524	170.00	110.00	M	2481174	370.84
	Boom	1163578	0-up	1163579	150.00	105.00	M	2481168	262.09
	Boom	1336808	0-up	1163579	150.00	105.00	M	2481168	262.09
	Boom	1376961	0-up	1376962	180.00	105.00	M	2171007	352.66
	Bucket	1183921	0-up	1183922	150.00	105.00	M	2481168	262.09
	Bucket	1183935	0-up	1183936	160.00	110.00	M	2481172	320.68
345B	Bucket	1184134	0-up	1184142	120.00	85.00	M	2465938	258.68
	Bucket	1336810	0-up	1183922	150.00	105.00	M	2481168	262.09
	Bucket	1336811	0-up	1183936	160.00	110.00	M	1289280	323.56
	Bucket	4I1726	0-up	4I1727	160.00	110.00	M	2481172	320.68
	Stick	1163638	0-up	1163639	170.00	110.00	M	2159990	301.81
	Stick	1336809	0-up	1163639	170.00	110.00	M	1289278	333.58
	Boom	1297829	0-up	1297879	160.00	110.00	M	2481172	320.68
	Boom	1553737	0-up	1297879	160.00	110.00	M	2481172	320.68
	Bucket	1183935	0-up	1183936	160.00	110.00	M	2481172	320.68
	Bucket	1184134	0-up	1184142	120.00	85.00	M	2465938	258.68
	Bucket	1232044	0-up	1184011	130.00	90.00	M	2470257	275.55
	Bucket	1297835	0-up	1297866	170.00	110.00	M	2159990	301.81
Counterweight	1231078	0-up	1231079	4.750	3.000	I	2275349	138.15	
Material Handler	1504125	0-up	1504126	170.00	110.00	M	2481174	370.84	
Steering	1151371	0-up	1153595	4.000	2.250	I	2418921	120.80	
350	Stick	1163638	0-up	1163639	170.00	110.00	M	2159990	301.81
	Stick	1297832	0-up	1297893	190.00	130.00	M	2522425	414.97
	Boom	4I1515	0-up	4I1516	170.00	110.00	M	2481174	370.84
	Bucket	1578989	0-up	4I1727	160.00	110.00	M	2481172	320.68
	Bucket	4I1726	0-up	4I1727	160.00	110.00	M	2481172	320.68
	Bucket	4I3792	0-up	4I3793	180.00	130.00	M	2344673	323.84
	Bucket	7Y5100	0-up	4I1620	130.00	85.00	M	2465937	286.59
	Lift	6E3529	0-up	6E3530	4.000	2.500	I	2295538	139.22
	Stick	0875375	0-up	4I1505	180.00	130.00	M	2344673	323.84
Stick	1560674	0-up	4I1505	180.00	130.00	M	2344673	323.84	

All manufacturer's names, part numbers and descriptions are used for reference purposes only. We do not imply that any part shown is the product of these manufacturers.

INDUSTRIAL
SEAL KITS

MOBILE
SEAL KITS



CATERPILLAR

Remsa [KITS]

EXCAVATOR

CATERPILLAR

Model	Application	Cylinder Group	Engineering Design Change Level	Cylinder Assembly Part No.	Bore	Rod	I	Ref. Number RCAT-	\$
							M		
365	Boom	1559177	0-up	1438122	180.00	125.00	M	2159994	333.48
	Bucket	1438004	0-up	1475706	180.00	130.00	M	2159996	322.43
	Bucket	1438007	0-up	1475742	200.00	140.00	M	2159995	595.57
	Counterweight	1505913	0-up	1505914	130.00	90.00	M	2159986	249.70
	Stick	1438001	0-up	1475720	200.00	140.00	M	2159995	595.57
	Stick	1589114	0-up	1589116	200.00	140.00	M	2159995	595.57
365B	Boom	1559177	0-up	1438122	180.00	125.00	M	2159994	333.48
	Bucket	1438004	0-up	1475706	180.00	130.00	M	2159996	322.43
	Bucket	1438007	0-up	1475742	200.00	140.00	M	2159995	595.57
	Counterweight	1505913	0-up	1505914	130.00	90.00	M	2159986	249.70
	Stick	1438001	0-up	1475720	200.00	140.00	M	2159995	595.57
375	Stick	1589114	0-up	1589116	200.00	140.00	M	2159995	595.57
	Boom	1140596	0-up	1140597	200.00	140.00	M	2481187	432.19
	Boom	6E0018	0-up	6E0778	200.00	140.00	M	2481187	432.19
	Bucket	1578989	0-up	411727	160.00	110.00	M	2481172	320.68
	Bucket	411726	0-up	411727	160.00	110.00	M	2481172	320.68
	Bucket	6E0020	2-9	6E0817	220.00	150.00	M	2522427	625.63
	Bucket	6E0020	10-up	6E0817	220.00	150.00	M	2344667	530.66
	Bucket	6E0021	0-up	6E0810	200.00	140.00	M	2481187	432.19
	Lift	6E3529	0-up	6E3530	4.000	2.500	I	2295538	139.22
	Stick	1560664	0-up	1560665	220.00	150.00	M	2344667	530.66
Stick	6E0019	2-9	6E0488	220.00	150.00	M	2522427	625.63	
E110	Stick	6E0019	10-up	6E0488	220.00	150.00	M	2344667	530.66
	Boom	0936151	0-up	419465	110.00	70.00	M	0938385	O/R
	Bucket	0936181	0-up	419379	110.00	65.00	M	0938390	O/R
E110B	Stick	0936167	0-up	419377	120.00	80.00	M	0938387	O/R
	Boom	0995402	0-up	0995404	100.00	70.00	M	0995401	O/R
	Boom	0995403	0-up	0995404	100.00	70.00	M	0995401	O/R
	Stick	0855801	0-up	0995370	160.00	75.00	M	0995310	O/R
	Stick	0856657	0-up	0860175	100.00	75.00	M	0860174	O/R
	Stick	0861937	0-up	0995370	160.00	75.00	M	0995310	O/R
E120	Stick	0995369	0-up	0995374	160.00	75.00	M	0995310	O/R
	Boom LH	0958487	0-up	0967770	100.00	65.00	M	0967786	O/R
	Boom RH	0958486	0-up	0990360	100.00	65.00	M	0967786	O/R
	Bucket	0938997	0-up	0967717	100.00	65.00	M	0967625	O/R
E120B	Stick	0938996	0-up	0967792	120.00	80.00	M	0967799	O/R
	Boom	0990662	0-up	0990664	160.00	75.00	M	0995310	O/R
	Stick	0855740	0-up	0990683	120.00	80.00	M	0995311	O/R
	Stick	0856657	0-up	0860175	100.00	75.00	M	0860174	O/R
	Stick	0861868	0-up	0990683	120.00	80.00	M	0995311	O/R
Stick	0990682	0-up	0990683	120.00	80.00	M	0995311	O/R	

All manufacturer's names, part numbers and descriptions are used for reference purposes only. We do not imply that any part shown is the product of these manufacturers.

INDUSTRIAL SEAL KITS

MOBILE SEAL KITS



CATERPILLAR

CATERPILLAR

EXCAVATOR

Model	Application	Cylinder Group	Engineering Design Change Level	Cylinder Assembly Part No.	Bore	Rod	I	Ref. Number RCAT-	\$
							M		
E140	Boom	0937269	0-up	0937271	110.00	75.00	M	0937931	0/R
	Bucket	0937279	0-up	0937281	110.00	70.00	M	0937935	0/R
	Stick	0937956	0-up	0937958	120.00	80.00	M	0937932	0/R
E180	Boom LH	0941911	0-up	0941921	125.00	85.00	M	2465936	271.39
	Boom RH	0941926	0-up	0941921	125.00	85.00	M	2465936	271.39
	Bucket	0941946	0-up	0941951	125.00	85.00	M	2465936	271.39
E200B	Stick	0941929	0-up	0941944	140.00	90.00	M	2481164	281.47
	Boom LH	0967907	0-up	0966205	120.00	85.00	M	2465935	353.12
	Boom RH	0967908	0-up	0966205	120.00	85.00	M	2465935	353.12
E240	Bucket	0967909	0-up	0966462	115.00	65.00	M	2417617	289.06
	Stick	0967910	0-up	0966213	140.00	100.00	M	2481162	343.90
	Stick Long Reach	0993688	0-up	0994276	130.00	95.00	M	419390	286.90
E240B	Boom LH	0941549	0-up	0941551	140.00	90.00	M	0939941	0/R
	Boom RH	0941550	0-up	0941551	140.00	90.00	M	0939941	0/R
	Bucket	0962391	0-up	0941561	140.00	90.00	M	0939941	0/R
E240B	Stick	0941406	0-up	0941407	150.00	100.00	M	0942697	0/R
	Boom	1R8082	0-up	0994132	140.00	90.00	M	0939941	0/R
	Boom LH	0996240	0-up	0994132	140.00	90.00	M	0939941	0/R
E300	Boom RH	0996941	0-up	0994132	140.00	90.00	M	0939941	0/R
	Bucket	0996233	0-up	0996234	140.00	90.00	M	0939941	0/R
	Bucket	1R5580	0-up	0990702	100.00	65.00	M	0995312	0/R
E300	Stick	0857679	0-up	0854817	150.00	100.00	M	0854847	0/R
	Stick	0996237	0-up	0994128	150.00	100.00	M	0942697	0/R
	Boom LH	0946493	0-up	0942824	150.00	100.00	M	0942697	0/R
E300B	Boom RH	0946494	0-up	0942824	150.00	100.00	M	0942697	0/R
	Bucket	0962932	0-up	0942849	150.00	100.00	M	0942697	0/R
	Stick	0962920	0-up	0946502	160.00	110.00	M	0942698	0/R
E300B	Boom	1R7823	0-up	0998293	140.00	100.00	M	2481162	343.90
	Boom	419297	0-up	0855861	160.00	110.00	M	2481171	293.04
	Boom LH	0995577	0-up	0998293	140.00	100.00	M	2481162	343.90
E450	Boom RH	0995578	0-up	0998293	140.00	100.00	M	2481162	343.90
	Bucket	0995557	0-up	0998275	140.00	95.00	M	2417618	239.19
	Stick	0855554	0-up	0855861	160.00	110.00	M	2481171	293.04
E450	Bucket	0946192	0-up	0965618	170.00	120.00	M	0961766	0/R
	Stick	0946191	0-up	0965578	180.00	130.00	M	2460640	486.76
E650	Boom LH	0945019	0-up	0998423	200.00	140.00	M	0992030	0/R
	Boom RH	0945020	0-up	0998423	200.00	140.00	M	0992030	0/R
	Bucket	0945022	0-up	0878707	200.00	140.00	M	0992030	0/R
	Stick	0945021	0-up	0998445	215.00	160.00	M	0992031	0/R

All manufacturer's names, part numbers and descriptions are used for reference purposes only. We do not imply that any part shown is the product of these manufacturers.

INDUSTRIAL
SEAL KITS

MOBILE
SEAL KITS



CATERPILLAR

Remsa [KITS]

EXCAVATOR

CATERPILLAR

Model	Application	Cylinder Group	Engineering Design Change Level	Cylinder Assembly Part No.	Bore	Rod	I	Ref. Number RCAT-	\$
							M		
E70	Boom	0962312	0-up	0967038	120.00	70.00	M	0962159	O/R
	Bucket	0962314	0-up	0967047	90.00	60.00	M	0935249	O/R
	Stick	0962313	0-up	0967044	100.00	65.00	M	0935250	O/R
	Swing RH	0993023	0-up	0993932	100.00	65.00	M	0935250	O/R
EL180	Boom LH	0941911	0-up	0941921	125.00	85.00	M	2465936	271.39
	Boom RH	0941926	0-up	0941921	125.00	85.00	M	2465936	271.39
	Bucket	0941946	0-up	0941951	125.00	85.00	M	2465936	271.39
	Stick	0941929	0-up	0941944	140.00	90.00	M	2481164	281.47
EL200B	Boom LH	0967907	0-up	0966205	120.00	85.00	M	2465935	353.12
	Boom RH	0967908	0-up	0966205	120.00	85.00	M	2465935	353.12
	Bucket	0967909	0-up	0966462	115.00	65.00	M	2417617	289.06
	Bucket Clamshell	0993752	0-up	0993812	150.00	90.00	M	0856901	O/R
	Stick	0967910	0-up	0941931	140.00	100.00	M	2481162	343.90
	Stick Long Reach	0993688	0-up	0994276	130.00	95.00	M	419390	286.90
EL240	Boom LH	0941549	0-up	0941551	140.00	90.00	M	0939941	O/R
	Boom RH	0941550	0-up	0941551	140.00	90.00	M	0939941	O/R
	Bucket	0962391	0-up	0941561	140.00	90.00	M	0939941	O/R
	Stick	0941406	0-up	0941407	150.00	100.00	M	0942697	O/R
EL240B	Boom	1R8082	0-up	0994132	140.00	90.00	M	0939941	O/R
	Boom LH	0996240	0-up	0994132	140.00	90.00	M	0939941	O/R
	Boom RH	0996241	0-up	0994132	140.00	90.00	M	0939941	O/R
	Bucket	0993713	0-up	0990702	100.00	65.00	M	0995312	O/R
	Bucket	0996233	0-up	0996234	140.00	90.00	M	0939941	O/R
	Bucket	1R5580	0-up	0990702	100.00	65.00	M	0995312	O/R
	Stick	0857679	0-up	0854817	150.00	100.00	M	0854847	O/R
	Stick	0996237	0-up	0994128	150.00	100.00	M	0942697	O/R
	Stick	1R9164	0-up	1R9618	150.00	100.00	M	0854847	O/R
EL300	Boom LH	0946493	0-up	0942824	150.00	100.00	M	0942697	O/R
	Boom RH	0946494	0-up	0942824	150.00	100.00	M	0942697	O/R
	Bucket	0962932	0-up	0942849	150.00	100.00	M	0942697	O/R
	Stick	0962920	0-up	0946502	160.00	110.00	M	0942698	O/R
EL300B	Boom	1R7823	0-up	0998293	140.00	100.00	M	2481162	343.90
	Boom	419297	0-up	0855861	160.00	110.00	M	2481171	293.04
	Boom LH	0995577	0-up	0998293	140.00	100.00	M	2481162	343.90
	Boom RH	0995578	0-up	0998293	140.00	100.00	M	2481162	343.90
	Bucket	0995557	0-up	0998275	140.00	95.00	M	2417618	239.19
	Stick	0855554	0-up	0855861	160.00	110.00	M	2481171	293.04

All manufacturer's names, part numbers and descriptions are used for reference purposes only. We do not imply that any part shown is the product of these manufacturers.

INDUSTRIAL SEAL KITS

MOBILE SEAL KITS



CATERPILLAR

CATERPILLAR

EXCAVATOR

Model	Application	Cylinder Group	Engineering Design Change Level	Cylinder Assembly Part No.	Bore	Rod	I	Ref. Number RCAT-	\$
							M		
M312	Blade	1200409	0-up		-	-	M	1257006	189.74
	Blade	1421625	0-up		-	-	M	1257006	189.74
	Boom	1184979	0-up	1184999	100.00	70.00	M	2860113	261.85
	Boom	1184980	0-up	1184999	100.00	70.00	M	2860113	261.85
	Boom	1206311	0-up	1206300	130.00	70.00	M	2748318	273.86
	Bucket	1206358	0-up	1211993	90.00	65.00	M	2860114	276.79
	Governor	1127593	0-up		-	-	M	1494128	139.34
	Stabilizer	1200434	0-up		-	-	M	1259700	300.50
	Stick	1184978	0-up	1184997	100.00	70.00	M	2860113	261.85
M315	Blade	1200409	0-up		-	-	M	1257006	189.74
	Blade	1421625	0-up		-	-	M	1257006	189.74
	Boom	1134979	0-up	1134981	110.00	80.00	M	2605317	265.19
	Boom	1134989	0-up	1134981	110.00	80.00	M	2605317	265.19
	Boom	1148803	0-up	1148817	140.00	75.00	M	2605319	302.97
	Bucket	1149312	0-up	1149317	100.00	70.00	M	2860113	261.85
	Governor	1127593	0-up		-	-	M	1494128	139.34
	Stabilizer	1200434	0-up		-	-	M	1259700	300.50
	Stick	1141872	0-up	1141877	110.00	80.00	M	2605317	265.19
M318	Blade	1112034	0-up		-	-	M	1183135	239.00
	Blade	1336935	0-up		-	-	M	1357927	251.79
	Boom	1124231	0-up	1126413	120.00	85.00	M	2580501	269.14
	Boom	1124241	0-up	1126413	120.00	85.00	M	2580501	269.14
	Boom	1124243	0-up	1126424	160.00	85.00	M	2580503	305.19
	Bucket	1124245	0-up	1126444	110.00	80.00	M	2605317	265.19
	Governor	1127593	0-up		-	-	M	1494128	139.34
	Material Handler	1233723	0-up	1260948	100.00	70.00	M	2860113	261.85
	Stabilizer	1336936	0-up		130.00	80.00	M	1357941	157.54
	Stick	1124236	0-up	1126434	120.00	85.00	M	2580501	269.14
	Stick	1415981	0-up	1415984	110.00	80.00	M	2605317	265.19
M320	Blade	1336935	0-up		-	-	M	1357927	251.79
	Boom	1279241	0-up	1358521	130.00	95.00	M	2330761	245.40
	Boom	1279243	0-up	1362220	170.00	100.00	M	2567093	336.45
	Boom	1283203	0-up	1358521	130.00	95.00	M	2330761	245.40
	Bucket	0875633	0-up	411040	120.00	85.00	M	2465938	258.68
	Governor	1127593	0-up		-	-	M	1494128	139.34
	Stabilizer	1336936	0-up		130.00	80.00	M	1357941	157.54
	Stick	1279242	0-up	1361530	140.00	100.00	M	2502485	331.05
	Stick	1386696	0-up	1439053	120.00	85.00	M	2502487	113.34

All manufacturer's names, part numbers and descriptions are used for reference purposes only. We do not imply that any part shown is the product of these manufacturers.

INDUSTRIAL
SEAL KITS

MOBILE
SEAL KITS



CATERPILLAR

Remsa [KITS]

FOREST MACHINE

CATERPILLAR

Model	Application	Cylinder Group	Engineering Design Change Level	Cylinder Assembly Part No.	Bore	Rod	I	Ref. Number RCAT-	\$
							M		
508	Boom	4T0863	0-1	4T2020	3.500	1.750	I	2401661	63.68
	Boom	4T0863	2-up	4T2020	3.500	1.750	I	2401881	45.15
	Lift LH	4T9394	0-1	4T9393	3.000	1.500	I	2465922	83.21
	Lift LH	4T9394	2-up	4T9393	3.000	1.500	I	2465913	51.33
	Lift RH	4T0826	0-1	4T2047	3.000	1.500	I	2465922	83.21
	Lift RH	4T0862	0-1	4T2047	3.000	1.500	I	2465922	83.21
	Lift RH	4T0862	2-up	4T2047	3.000	1.500	I	2465913	51.33
	Steering	4T0861	0-1	4T5558	3.250	1.500	I	7X2741	60.87
	Steering LH	4T0861	2-up	4T5558	3.250	1.500	I	2465919	86.57
	Steering RH	4T0860	2-up	4T2087	3.250	1.500	I	2465919	86.57
	Tong	4T0859	0-1	4T2107	4.500	2.250	I	2410897	86.23
	Tong	4T0859	2-up	4T2107	4.500	2.250	I	2417584	120.35
	515	Lift	1117951	0-up	1117952	4.000	2.000	I	2409538
Lift		1397547	0-up	1397548	4.000	2.000	I	2409538	59.15
Steering		1117474	0-3	1117476	3.000	1.750	I	2275350	24.93
Steering		1117474	4-up	1117476	3.000	1.750	I	2405524	104.44
Steering		1117475	0-3	1117477	3.000	1.750	I	2275350	24.93
Steering		1117475	4-6	1117477	3.000	1.750	I	2405524	104.44
Steering		1117475	7-up	1117477	3.000	1.750	I	2275350	24.93
517	Angling	1006174	0-up	1004536	3.500	1.750	I	2401881	45.15
	Lift	6E0365	0-up	9T8422	4.250	2.000	I	2408523	84.24
	Tilt	9T9557	0-up	9T9562	4.250	2.000	I	2409939	108.46
518	Lift	7J8925	0-12	7J8926	4.000	2.000	I	2406899	42.77
	Lift	7J8925	13-up	7J8926	4.000	2.000	I	2339205	48.11
	Lift	9T1773	0	9T2718	5.000	2.500	I	2430386	157.63
	Lift	9T1773	1-up	9T2718	5.000	2.500	I	2430387	142.57
	Steering	7J3349	4-16	7J3347	3.000	1.750	I	2402016	70.99
	Steering	7J3349	17-up	7J3347	3.000	1.750	I	2275350	24.93
	Steering	7J3350	4-17	7J3348	3.000	1.750	I	2402016	70.99
	Steering LH	7J3350	18-up	7J3348	3.000	1.750	I	2275350	24.93
	Steering RH	7J3349	4-16	7J3347	3.000	1.750	I	2402016	70.99
	Steering RH	7J3349	17-up	7J3347	3.000	1.750	I	2275350	24.93
	Tilt LH	9T1777	0	9T2734	4.250	2.250	I	2410898	91.68
	Tilt LH	9T1777	1-up	9T2734	4.250	2.250	I	2417579	117.29
	Tilt RH	9T1772	0	9T2733	4.250	2.250	I	2410898	91.68
Tilt RH	9T1772	1-up	9T2733	4.250	2.250	I	2417579	117.29	
518C	Lift	1117951	0-up	1117952	4.000	2.000	I	2409538	59.15
	Lift	1397547	0-up	1397548	4.000	2.000	I	2409538	59.15
	Lift	7J8925	0-12	7J8926	4.000	2.000	I	2406899	42.77
	Lift	7J8925	13-up	7J8926	4.000	2.000	I	2339205	48.11
	Steering	1117474	0-3	1117476	3.000	1.750	I	2275350	24.93
	Steering	1117474	4-up	1117476	3.000	1.750	I	2405524	104.44
	Steering	1117475	0-3	1117477	3.000	1.750	I	2275350	24.93
	Steering	1117475	4-6	1117477	3.000	1.750	I	2405524	104.44

All manufacturer's names, part numbers and descriptions are used for reference purposes only. We do not imply that any part shown is the product of these manufacturers.

INDUSTRIAL SEAL KITS

MOBILE SEAL KITS



CATERPILLAR

KITS 158

CATERPILLAR

FOREST MACHINE

Model	Application	Cylinder Group	Engineering Design Change Level	Cylinder Assembly Part No.	Bore	Rod	I	Ref. Number RCAT-	\$
							M		
520D	Steering	1117475	7-up	1117477	3.000	1.750	I	2275350	24.93
	Steering	7J3349	4-16	7J3347	3.000	1.750	I	2402016	70.99
	Steering	7J3349	17-up	7J3347	3.000	1.750	I	2275350	24.93
	Steering	7J3350	4-17	7J3348	3.000	1.750	I	2402016	70.99
	Steering LH	7J3350	18-up	7J3348	3.000	1.750	I	2275350	24.93
	Steering RH	7J3349	4-16	7J3347	3.000	1.750	I	2402016	70.99
	Steering RH	7J3349	17-up	7J3347	3.000	1.750	I	2275350	24.93
522C	Lift	1117951	0-up	1117952	4.000	2.000	I	2409538	59.15
	Lift	1397547	0-up	1397548	4.000	2.000	I	2409538	59.15
	Steering	7J3349	4-16	7J3347	3.000	1.750	I	2402016	70.99
	Steering	7J3349	17-up	7J3347	3.000	1.750	I	2275350	24.93
525	Steering	7J3350	4-17	7J3348	3.000	1.750	I	2402016	70.99
	Steering LH	7J3350	18-up	7J3348	3.000	1.750	I	2275350	24.93
	Steering RH	7J3349	4-16	7J3347	3.000	1.750	I	2402016	70.99
	Steering RH	7J3349	17-up	7J3347	3.000	1.750	I	2275350	24.93
	Lift	1117951	0-up	1117952	4.000	2.000	I	2409538	59.15
	Lift	1397547	0-up	1397548	4.000	2.000	I	2409538	59.15
	Steering	7J3349	4-16	7J3347	3.000	1.750	I	2402016	70.99
	Steering	7J3349	17-up	7J3347	3.000	1.750	I	2275350	24.93
525B	Steering	7J3350	4-17	7J3348	3.000	1.750	I	2402016	70.99
	Steering LH	7J3350	18-up	7J3348	3.000	1.750	I	2275350	24.93
	Steering RH	7J3349	4-16	7J3347	3.000	1.750	I	2402016	70.99
	Steering RH	7J3349	17-up	7J3347	3.000	1.750	I	2275350	24.93
	Lift	1117951	0-up	1117952	4.000	2.000	I	2409538	59.15
	Lift	1397547	0-up	1397548	4.000	2.000	I	2409538	59.15
	Steering	1117474	0-3	1117476	3.000	1.750	I	2275350	24.93
527	Steering	1117474	4-up	1117476	3.000	1.750	I	2405524	104.44
	Steering	1117475	0-3	1117477	3.000	1.750	I	2275350	24.93
	Steering	1117475	4-6	1117477	3.000	1.750	I	2405524	104.44
	Steering	1117475	7-up	1117477	3.000	1.750	I	2275350	24.93
527	Lift	1600492	0-up	1493470	4.000	2.250	I	2418921	120.80
	Lift	1418640	0-up	1418641	3.750	2.250	I	2350969	127.56
	Lift	1607610	0-up	1607611	4.750	2.500	I	2285272	146.02
	Lift	6E0366	0-up	4T2099	4.750	2.500	I	2285272	146.02

All manufacturer's names, part numbers and descriptions are used for reference purposes only. We do not imply that any part shown is the product of these manufacturers.



Remsa [KITS]

FOREST MACHINE

CATERPILLAR

Model	Application	Cylinder Group	Engineering Design Change Level	Cylinder Assembly Part No.	Bore	Rod	I	Ref. Number RCAT-	\$
							M		
528	Dozer	7J9902	12-up	7J9901	4.250	2.000	I	2408523	84.24
	Steering	9J5854	0-4		3.750	1.750	I	2402481	77.86
	Steering	9J5854	5-up	9J5853	3.750	1.750	I	1857033	100.07
	Steering	9J5856	0-4		3.750	1.750	I	2402481	77.86
	Steering	9J5856	5-up	9J5855	3.750	1.750	I	1857033	100.07
	Steering LH	7J9234	2-up	7J9236	3.500	1.500	I	2465914	76.45
	Steering RH	7J9233	2-up	7J9235	3.500	1.500	I	2465914	76.45
528B	Dozer	7J9902	12-up	7J9901	4.250	2.000	I	2408523	84.24
	Steering	9J5854	0-4		3.750	1.750	I	2402481	77.86
	Steering	9J5854	5-up	9J5853	3.750	1.750	I	1857033	100.07
	Steering	9J5856	0-4		3.750	1.750	I	2402481	77.86
530B	Steering	9J5856	5-up	9J5855	3.750	1.750	I	1857033	100.07
	Dozer	7J9902	12-up	7J9901	4.250	2.000	I	2408523	84.24
	Steering	9J5854	0-4		3.750	1.750	I	2402481	77.86
	Steering	9J5854	5-up	9J5853	3.750	1.750	I	1857033	100.07
	Steering	9J5856	0-4		3.750	1.750	I	2402481	77.86
535B	Steering	9J5856	5-up	9J5855	3.750	1.750	I	1857033	100.07
	Lift	1600492	0-up	1493470	4.000	2.250	I	2418921	120.80

All manufacturer's names, part numbers and descriptions are used for reference purposes only. We do not imply that any part shown is the product of these manufacturers.

INDUSTRIAL SEAL KITS

MOBILE SEAL KITS



CATERPILLAR

CATERPILLAR

FRONT - SHOVEL EXCAVATOR

INDUSTRIAL
SEAL KITS

MOBILE
SEAL KITS



CATERPILLAR

Model	Application	Cylinder Group	Engineering Design Change Level	Cylinder Assembly Part No.	Bore	Rod	I	Ref. Number RCAT-	\$
							M		
5080	Boom	413915	0-up	413916	180.00	130.00	M	2159996	322.43
	Bottom Dump	1211518	0-up	1211519	160.00	90.00	M	2526101	259.62
	Stick	6E4272	0-2	6E4275	220.00	150.00	M	2522427	625.63
	Stick	6E4272	3-up	6E4275	220.00	150.00	M	2344667	530.66
5110	Bucket	6E0020	2-9	6E0817	220.00	150.00	M	2522427	625.63
	Bucket	6E0020	10-up	6E0817	220.00	150.00	M	2344667	530.66
	Bucket	6E5752	0-up	6E5753	6.000	3.000	I	2442053	234.11
	Bucket LH	1561050	2-up	1594495	7.500	6.000	I	2463445	387.61
	Bucket RH	1561049	1-up	1561051	7.500	6.000	I	2463445	387.61
	N/A	1259656	2-1	1466198	10.000	7.250	I	2481194	651.50
5130	Boom	1064338	1-up	1207608	11.000	7.000	I	2463446	561.14
	Boom	1076228	5-up	1076229	11.000	7.500	I	2395021	562.45
	Boom	1207610	0-up	1207608	11.000	7.000	I	2463446	561.14
	Bucket	1064340	0-up	1044188	7.500	6.000	I	2463443	353.39
	Bucket	1079625	0-5	1079626	8.500	6.500	I	2481190	384.07
	Bucket	1079625	6-up	1079626	8.500	6.500	I	2481192	464.83
	Bucket	1141169	0.4	1079626	8.500	6.500	I	2481190	384.07
	Bucket	1141169	5-up	1079626	8.500	6.500	I	2481192	464.83
	Bucket	6E5752	0-up	6E5753	6.000	3.000	I	2442053	234.11
	Bucket LH	1141169	0-4	1079626	8.500	6.500	I	2481190	384.07
	Bucket LH	1141169	5-up	1079626	8.500	6.500	I	2481192	464.83
	Bucket LH	1224967	0	1122054	7.500	6.000	I	2463443	353.39
	Bucket LH	1224967	1-up	1122054	7.500	6.000	I	2463445	387.61
	Bucket RH	1079625	0-5	1079626	8.500	6.500	I	2481190	384.07
Bucket RH	1079625	6-up	1079626	8.500	6.500	I	2481192	464.83	
Bucket RH	1122053	0-3	1122054	7.500	6.000	I	2463443	353.39	
Bucket RH	1122053	4-up	1122054	7.500	6.000	I	2463445	387.61	
Stick	1036035	4-up	1036038	10.000	7.250	I	2481194	651.50	
Stick	1064339	0-3		7.500	6.000	I	2463443	353.39	
Stick	1064339	4-up	1122050	7.500	6.000	I	2463445	387.61	
Stick	1122049	0-2	1122050	7.500	6.000	I	2463443	353.39	
Stick	1122049	3-up	1122050	7.500	6.000	I	2463445	387.61	
5130B	Boom	1076228	5-up	1076229	11.000	7.500	I	2395021	562.45
	Boom	1207610	0-up	1207608	11.000	7.000	I	2463446	561.14
	Bucket	1079625	0-5	1079626	8.500	6.500	I	2481190	384.07
	Bucket	1079625	6-up	1079626	8.500	6.500	I	2481192	464.83
	Bucket	1141169	0-4	1079626	8.500	6.500	I	2481190	384.07
	Bucket	1141169	5-up	1079626	8.500	6.500	I	2481192	464.83
	Bucket	6E5752	0-up	6E5753	6.000	3.000	I	2442053	234.11
	Bucket LH	1141169	0-4	1079626	8.500	6.500	I	2481190	384.07
	Bucket LH	1141169	5-up	1079626	8.500	6.500	I	2481192	464.83
	Bucket LH	1224967	0	1122054	7.500	6.000	I	2463443	353.39
Bucket LH	1224967	1-up	1122054	7.500	6.000	I	2463445	387.61	
Bucket RH	1079625	0-5	1079626	8.500	6.500	I	2481190	384.07	
Bucket RH	1079625	6-up	1079626	8.500	6.500	I	2481192	464.83	

All manufacturer's names, part numbers and descriptions are used for reference purposes only. We do not imply that any part shown is the product of these manufacturers.

Remsa [KITS]

FRONT - SHOVEL EXCAVATOR

CATERPILLAR

Model	Application	Cylinder Group	Engineering Design Change Level	Cylinder Assembly Part No.	Bore	Rod	I	Ref. Number RCAT-	\$
							M		
5230	Bucket RH	1122053	0-3	1122054	7.500	6.000	I	2463443	353.39
	Bucket RH	1122053	4-up	1122054	7.500	6.000	I	2463445	387.61
	Stick	1036035	4-up	1036038	10.000	7.250	I	2481194	651.50
	Stick	1122049	0-2	1122050	7.500	6.000	I	2463443	353.39
	Stick	1122049	3-up	1122050	7.500	6.000	I	2463445	387.61
	Boom	1131923	0-up	1142856	13.000	8.750	I	2456822	996.58
	Boom	1218909	0-up	1218911	13.500	8.750	I	2456823	1195.11
	Bucket	1082136	2-up	1088011	10.000	7.250	I	2481194	651.50
	Bucket	1160437	0-up	1145499	10.000	7.000	I	2463448	456.73
	Bucket	1160439	0-up	1145499	10.000	7.000	I	2463448	456.73
5230B	Bucket	6E6435	2-up	6E6428	7.250	3.500	I	2456839	237.67
	Bucket LH	1160439	0-up	1145499	10.000	7.000	I	2463448	456.73
	Bucket RH	1160437	0-up	1145499	10.000	7.000	I	2463448	456.73
	Stick	1082135	4-up	1085163	10.000	7.250	I	2481194	651.50
	Stick	1131924	3-up		11.000	7.500	I	2395021	562.45
	Stick	1270865	0-up	1270868	10.000	7.250	I	2481194	651.50
	Boom	1131923	0-up	1142856	13.000	8.750	I	2456822	996.58
	Boom	1218909	0-up	1218911	13.500	8.750	I	2456823	1195.11
	Bucket	1160437	0-up	1145499	10.000	7.000	I	2463448	456.73
	Bucket	1160439	0-up	1145499	10.000	7.000	I	2463448	456.73
	Bucket	6E6435	2-up	6E6428	7.250	3.500	I	2456839	237.67
	Bucket LH	1160439	0-up	1145499	10.000	7.000	I	2463448	456.73
	Bucket RH	1160437	0-up	1145499	10.000	7.000	I	2463448	456.73
	Stick	1131924	3-up		11.000	7.500	I	2395021	562.45
	Stick	1270865	0-up	1270868	10.000	7.250	I	2481194	651.50

All manufacturer's names, part numbers and descriptions are used for reference purposes only. We do not imply that any part shown is the product of these manufacturers.

INDUSTRIAL SEAL KITS

MOBILE SEAL KITS



CATERPILLAR

CATERPILLAR

INTEGRATED TOOL CARRIER

INDUSTRIAL
SEAL KITS

MOBILE
SEAL KITS



CATERPILLAR

Model	Application	Cylinder Group	Engineering Design Change Level	Cylinder Assembly Part No.	Bore	Rod	I	Ref. Number RCAT-	\$	
							M			
IT12	Lift	4T8579	0-up		1.500	-	I	1791715	12.69	
	Lift	4T8580	0-up	4T9333	3.750	2.000	I	2406869	72.38	
	Steering	1U4666	0-3	1U4665	2.750	1.500	I	2465912	43.31	
	Steering	1U4666	4-up	1U4665	2.750	1.500	I	2465909	58.30	
	Steering	9T5729	0-up		1.500	-	I	1791749	4.52	
	Tilt	4T8581	0-up	4T9297	3.250	1.750	I	2401671	51.17	
	Tilt	4T9427	0-up		1.500	-	I	1791749	4.52	
IT12B	Tilt	9T5489	0-up	9T5292	3.250	1.750	I	2401671	51.17	
	Lift	6E6398	0-up	6E6397	3.500	2.250	I	2350355	109.79	
	Lift	9T5152	0-up	9T5295	4.000	2.250	I	2342591	51.76	
	Steering	4T8579	0-up		1.500	-	I	1791715	12.69	
	Steering	9T5729	0-up		1.500	-	I	1791749	4.52	
	Steering	9T7209	0-2	9T7211	2.750	1.500	I	2465909	58.30	
	Steering	9T7209	3-up	9T7211	2.750	1.500	I	2339204	50.19	
	Steering	9T7210	0-2	9T7212	2.750	1.500	I	2465909	58.30	
	Steering	9T7210	3-up	9T7212	2.750	1.500	I	2339204	50.19	
	Steering LH	6E5900	0-2	6E5902	2.750	1.750	I	2402482	63.41	
	Steering LH	6E5900	3-up	6E5902	2.750	1.750	I	2342595	120.82	
	Steering LH	6E5973	0-up	6E5902	2.750	1.500	I	2339204	50.19	
	Steering RH	6E5972	0-1	6E5971	2.750	1.750	I	2402482	63.41	
	Steering RH	6E5972	2-up	6E5971	2.750	1.750	I	2342595	120.82	
	Steering RH	6E5985	0-up	6E5971	2.750	1.500	I	2339204	50.19	
	Tilt	9T5151	0-up	9T4198	3.500	2.000	I	2281778	82.52	
	IT12F	Lift	6E6398	0-up	6E6397	3.500	2.250	I	2350355	109.79
		Lift	9T5152	0-up	9T5295	4.000	2.250	I	2342591	51.76
		Steering	4T8579	0-up		1.500	-	I	1791715	12.69
		Steering	9T5729	0-up		1.500	-	I	1791749	4.52
		Steering	9T7209	0-2	9T7211	2.750	1.500	I	2465909	58.30
		Steering	9T7209	3-up	9T7211	2.750	1.500	I	2339204	50.19
Steering		9T7210	0-2	9T7212	2.750	1.500	I	2465909	58.30	
Steering		9T7210	3-up	9T7212	2.750	1.500	I	2339204	50.19	
Steering LH		6E5900	0-2	6E5902	2.750	1.750	I	2402482	63.41	
Steering LH		6E5900	3-up	6E5902	2.750	1.750	I	2342595	120.82	
Steering LH		6E5973	0-up	6E5902	2.750	1.500	I	2339204	50.19	
Steering RH		6E5972	0-1	6E5971	2.750	1.750	I	2402482	63.41	
Steering RH		6E5972	2-up	6E5971	2.750	1.750	I	2342595	120.82	
Steering RH		6E5985	0-up	6E5971	2.750	1.500	I	2339204	50.19	
Tilt		9T5151	0-up	9T4198	3.500	2.000	I	2281778	82.52	

All manufacturer's names, part numbers and descriptions are used for reference purposes only. We do not imply that any part shown is the product of these manufacturers.

Remsa [KITS]

INTEGRATED TOOL CARRIER

CATERPILLAR

Model	Application	Cylinder Group	Engineering Design Change Level	Cylinder Assembly Part No.	Bore	Rod	I	Ref. Number RCAT-	\$
							M		
IT14B	Lift	9T5152	0-up	9T5295	4.000	2.250	I	2342591	51.76
	Steering	4T8579	0-up		1.500	-	I	1791715	12.69
	Steering	9T5729	0-up		1.500	-	I	1791749	4.52
	Steering	9T7209	0-2	9T7211	2.750	1.500	I	2465909	58.30
	Steering	9T7209	3-up	9T7211	2.750	1.500	I	2339204	50.19
	Steering	9T7210	0-2	9T7212	2.750	1.500	I	2465909	58.30
	Steering	9T7210	3-up	9T7212	2.750	1.500	I	2339204	50.19
	Steering LH	6E5973	0-up	6E5902	2.750	1.500	I	2339204	50.19
	Steering RH	6E5985	0-up	6E5971	2.750	1.500	I	2339204	50.19
	Tilt	9T5151	0-up	9T4198	3.500	2.000	I	2281778	82.52
IT14F	Lift	6E6398	0-up	6E6397	3.500	2.250	I	2350355	109.79
	Steering	4T8579	0-up		1.500	-	I	1791715	12.69
	Steering	9T5729	0-up		1.500	-	I	1791749	4.52
	Steering LH	6E5900	0-2	6E5902	2.750	1.750	I	2402482	63.41
	Steering LH	6E5900	3-up	6E5902	2.750	1.750	I	2342595	120.82
	Steering RH	6E5972	0-1	6E5971	2.750	1.750	I	2402482	63.41
	Steering RH	6E5972	2-up	6E5971	2.750	1.750	I	2342595	120.82
IT14G	FK	1491381	0-up	1491384	3.500	2.000	I	2281778	82.52
	Lift	1116244	0-up	1116246	3.500	2.250	I	2350355	109.79
	Lift RH	1314401	0-up	1314404	3.500	2.250	I	2350355	109.79
	Lift RH	1314402	0-up	1314405	3.500	2.250	I	2350355	109.79
	Steering	1044187	0-up	1089325	2.500	1.500	I	2342592	80.78
IT18	Steering	4T8579	0-up		1.500	-	I	1791715	12.69
	Steering	9T8823	0-up		2.000	1.000	I	9T0418	69.69
	Lift	4T5544	0-up		2.000	1.000	I	9T0418	69.69
	Lift	4T8648	0-2	4T8649	4.250	2.250	I	2410898	91.68
	Lift	4T8648	3-up	9T4304	4.250	2.250	I	2417579	117.29
	Steering	1U3322	3-up	1U3323	3.000	1.500	I	2465913	51.33
	Steering	4T9981	0-up		2.000	1.000	I	9T0418	69.69
	Steering	6E0906	0-up		2.000	1.000	I	9T0418	69.69
	Steering	6E5392	0-up		2.000	1.000	I	9T0418	69.69
	Steering	9T2352	0-up		2.000	1.000	I	9T0418	69.69
Tilt	4T4666	5-up	4T7435	4.000	2.500	I	2422548	133.77	
IT18B	Lift	4T5544	0-up		2.000	1.000	I	9T0418	69.69
	Lift	4T9981	0-up		2.000	1.000	I	9T0418	69.69
	Lift	6E0906	0-up		2.000	1.000	I	9T0418	69.69
	Lift	6E5392	0-up		2.000	1.000	I	9T0418	69.69
	Lift	6E5393	0-up		2.000	1.000	I	9T0418	69.69
	Lift	9T2352	0-up		2.000	1.000	I	9T0418	69.69
	Lift	9T5030	0-up	9T5032	4.750	2.500	I	2285272	146.02
	Steering	1U3322	3-up	1U3323	3.000	1.500	I	2465913	51.33
	Steering	9T8485	0-up		2.000	1.000	I	9T0418	69.69
	Tilt	9T5267	0-up	4T7435	4.000	2.000	I	2339205	48.11

All manufacturer's names, part numbers and descriptions are used for reference purposes only. We do not imply that any part shown is the product of these manufacturers.

INDUSTRIAL SEAL KITS

MOBILE SEAL KITS



CATERPILLAR

CATERPILLAR

INTEGRATED TOOL CARRIER

INDUSTRIAL
SEAL KITS

MOBILE
SEAL KITS



CATERPILLAR

Model	Application	Cylinder Group	Engineering Design Change Level	Cylinder Assembly Part No.	Bore	Rod	I	Ref. Number RCAT-	\$
							M		
IT18F	Lift	1007020	0-2	1007023	4.750	2.500	I	2430398	124.02
	Lift	1007020	3-up	1007023	4.750	2.500	I	2341948	149.11
	Lift	1341379	0-up		4.750	2.500	I	2341948	149.11
	Lift	9T8823	0-up		2.000	1.000	I	9T0418	69.69
	Steering	6E1114	0-up		2.000	1.000	I	9T0418	69.69
	Steering	9T2637	2-up	9T2638	2.750	1.500	I	2339204	50.19
	Tilt	1341380	0-up		4.000	2.000	I	2339205	48.11
IT24F	Tilt	9T7026	0-up	9T7027	4.000	2.000	I	2339205	48.11
	Dozer LH	1262492	0-up	1262493	4.000	2.000	I	2339205	48.11
	Lift	1007020	0-2	1007023	4.750	2.500	I	2430398	124.02
	Lift	1007020	3-up	1007023	4.750	2.500	I	2341948	149.11
	Lift	1067020	0-2	1007023	4.750	2.500	I	2430398	124.02
	Lift	1341379	0-up		4.750	2.500	I	2341948	149.11
	Lift	1342327	0-up	1342328	4.000	2.250	I	2418921	120.80
	Lift	9T3937	4-up	9T3938	4.000	2.250	I	2418921	120.80
	Lift	9T8823	0-up		2.000	1.000	I	9T0418	69.69
	Steering	9T2637	2-up	9T2638	2.750	1.500	I	2339204	50.19
	Tilt	1107845	0-1	1107846	4.500	2.500	I	2435798	129.23
	Tilt	1107845	2-up	1107846	4.500	2.500	I	2310898	143.32
	Tilt	1341380	0-up	1341387	4.000	2.000	I	2339205	48.11
	Tilt	1341381	0-up	1341388	4.000	2.000	I	2339205	48.11
	Tilt	1342671	0-up	1342670	4.500	2.500	I	2310898	143.32
	Tilt	6E1114	0-up		2.000	1.000	I	9T0418	69.69
	IT28	Tilt	6E4651	0-3	6E4652	4.500	2.500	I	2435798
Tilt		6E4651	4-up	6E4652	4.500	2.500	I	2310898	143.32
Tilt		9T7026	0-up	9T7027	4.000	2.000	I	2339205	48.11
Lift		3G2991	4-6	9T4305	4.750	2.500	I	2285271	124.37
Lift		3G2991	7-up	9T4305	4.750	2.500	I	2285272	146.02
Steering		3G3501	0-7	3G3316	3.000	1.500	I	2465922	83.21
Steering		3G3501	8-up	3G3316	3.000	1.500	I	2465913	51.33
Steering		4T9981	0-up		2.000	1.000	I	9T0418	69.69
Steering		6E0906	0-up		2.000	1.000	I	9T0418	69.69
IT28B	Steering	6E5392	0-up		2.000	1.000	I	9T0418	69.69
	Steering	9T2352	0-up		2.000	1.000	I	9T0418	69.69
	Tilt	4T5544	0-up		2.000	1.000	I	9T0418	69.69
	Tilt	4T5545	0-2	4T5788	4.250	2.500	I	2422546	122.86
	Tilt	4T5545	3-up	4T5788	4.250	2.500	I	2430393	121.56
	Lift	3G2991	4-6	9T4305	4.750	2.500	I	2285271	124.37
	Lift	3G2991	7-up	9T4305	4.750	2.500	I	2285272	146.02
	Lift	4T8648	0-2	4T8649	4.250	2.250	I	2410898	91.68
	Lift	4T8648	3-up	9T4304	4.250	2.250	I	2417579	117.29
	Steering	1U3322	3-up	1U3323	3.000	1.500	I	2465913	51.33
	Steering	3G3501	0-7	3G3316	3.000	1.500	I	2465922	83.21
	Steering	3G3501	8-up	3G3316	3.000	1.500	I	2465913	51.33
	Steering	4T9981	0-up		2.000	1.000	I	9T0418	69.69

All manufacturer's names, part numbers and descriptions are used for reference purposes only. We do not imply that any part shown is the product of these manufacturers.

INTEGRATED TOOL CARRIER

CATERPILLAR

Model	Application	Cylinder Group	Engineering Design Change Level	Cylinder Assembly Part No.	Bore	Rod	I	Ref. Number RCAT-	\$
							M		
IT28F	Steering	6E0906	0-up		2.000	1.000	I	9T0418	69.69
	Steering	6E5392	0-up		2.000	1.000	I	9T0418	69.69
	Steering	6E5393	0-up		2.000	1.000	I	9T0418	69.69
	Steering	9T8485	0-up		2.000	1.000	I	9T0418	69.69
	Tilt	3G6571	0-2	3G6570	4.750	2.500	I	2285271	124.37
	Tilt	3G6571	3-up	3G6570	4.750	2.500	I	2285272	146.02
	Tilt	4T5544	0-up		2.000	1.000	I	9T0418	69.69
	Tilt	4T5545	0-2	4T5788	4.250	2.500	I	2422546	122.86
	Tilt	4T5545	3-up	4T5788	4.250	2.500	I	2430393	121.56
	Lift	1341384	0-up	1341391	4.750	2.500	I	2341948	149.11
Lift	9T6788	0-5	1007023	4.750	2.500	I	2430398	124.02	
IT28G	Lift	9T6788	6-up	1007023	4.750	2.500	I	2341948	149.11
	Lift	9T8823	0-up		2.000	1.000	I	9T0418	69.69
	Steering	6E1114	0-up		2.000	1.000	I	9T0418	69.69
	Steering	9T6646	2-up	9T6674	2.750	1.500	I	2339204	50.19
	Tilt	1341385	0-up	1341392	4.000	2.000	I	2339205	48.11
	Tilt	9T6929	0-up	9T6928	4.000	2.000	I	2339205	48.11
	Lift	1191060	1-up	1191062	4.750	2.500	I	2341948	149.11
IT38F	Lift	6E1114	0-up		2.000	1.000	I	9T0418	69.69
	Lift	9T8823	0-up		2.000	1.000	I	9T0418	69.69
	Steering LH	1250374	0-up	1250376	2.750	1.500	I	2339204	50.19
	Steering RH	1250373	0-up	1250375	2.750	1.500	I	2339204	50.19
	Tilt	1191852	0-up	1191853	4.000	2.000	I	2339205	48.11
IT38G	Tilt	1273020	0-up	1273021	4.000	2.000	I	2339205	48.11
	Lift	1148131	1-up	1148132	4.750	3.000	I	2275349	138.15
	Steering	1050094	0-up	1050097	3.000	1.750	I	2275350	24.93
IT62G	Tilt	1156963	0-up	1156964	4.500	2.750	I	2275348	127.12
	Lift	1148131	1-up	1148132	4.750	3.000	I	2275349	138.15
	Steering	1050094	0-up	1050097	3.000	1.750	I	2275350	24.93
	Steering	1393312	0-up	1393313	3.000	1.750	I	2275350	24.93
IT38G	Tilt	1156963	0-up	1156964	4.500	2.750	I	2275348	127.12
	Lift RH	1188296	0-up	1250028	6.000	3.000	I	2281793	116.19
	Lift RH	1250024	0-up	1250028	6.000	3.000	I	2281793	116.19
	Steering	1188288	0-up	1195955	3.500	1.750	I	2401881	45.15
IT62G	Tilt	1349397	0-up	1349399	5.250	3.000	I	2281776	86.98

All manufacturer's names, part numbers and descriptions are used for reference purposes only. We do not imply that any part shown is the product of these manufacturers.

INDUSTRIAL SEAL KITS

MOBILE SEAL KITS



CATERPILLAR

CATERPILLAR

LANDFILL COMPACTOR

INDUSTRIAL
SEAL KITS

MOBILE
SEAL KITS



CATERPILLAR

Model	Application	Cylinder Group	Engineering Design Change Level	Cylinder Assembly Part No.	Bore	Rod	I	Ref. Number RCAT-	\$
							M		
816	Lift	4J9233	0-up	4J9655	4.500	2.000	I	2386882	78.49
	Steering	7J9355	4-5	7J9353	4.000	2.000	I	2378277	109.50
	Steering	7J9356	0-6	7J9354	4.000	2.000	I	2378277	109.50
816B	Dozer	1U2088	0-5	1U2087	4.750	2.500	I	2285271	124.37
	Dozer	1U2088	6-up	1U2087	4.750	2.500	I	2285272	146.02
816F	Steering	4T1574	0-2	4T1580	4.000	2.000	I	2406899	42.77
	Steering	4T1574	3-up	4T1580	4.000	2.000	I	2339205	48.11
	Steering	6E5024	0-up	6E5025	4.000	2.000	I	2409538	59.15
826B	Dozer	1U2088	0-5	1U2087	4.750	2.500	I	2285271	124.37
	Dozer	1U2088	6-up	1U2087	4.750	2.500	I	2285272	146.02
	Steering	4T1574	0-2	4T1580	4.000	2.000	I	2406899	42.77
826C	Steering	4T1574	3-up	4T1580	4.000	2.000	I	2339205	48.11
	Steering	6E5024	0-up	6E5025	4.000	2.000	I	2409538	59.15
	Lift	7K9401	0-up		5.000	2.250	I	2410895	130.11
826G	Lift	8J2650	0-up	8J3508	5.000	2.000	I	2386718	71.07
	Steering	7J9718	0-up	7J9717	5.000	2.250	I	2410895	130.11
	Dozer	9T3855	0-up		1.500	-	I	9T4918	144.69
826H	Dozer	9T3856	0-up		1.500	-	I	1791746	144.69
	Lift	9J7111	3-4	3G2898	5.500	2.500	I	2430381	74.84
	Lift	9J7111	5-up	3G2898	5.500	2.500	I	2422539	130.19
836	Steering	9J7086	3-7	9J7088	5.000	2.250	I	2410895	130.11
	Steering	9J7086	8-up	9J7088	5.000	2.250	I	2417578	128.23
	Steering	9J7087	3-7	9J7088	5.000	2.250	I	2410895	130.11
	Steering	9J7087	8-up	9J7088	5.000	2.250	I	2417578	128.23
836B	Dozer	1164842	1-up	1164839	4.750	3.000	I	2275349	138.15
	Steering	1175151	0-up	1174566	4.500	2.500	I	2435806	149.99
836C	Dozer	1326835	0-up	1326836	6.500	3.250	I	2450597	230.71
	Lift	6J1272	0-3	6J1271	6.500	2.500	I	2422554	87.68
	Lift	6J1272	4-up	6J1271	6.500	2.500	I	2435803	142.45
	Steering	9J8156	4-up	8J8166	5.000	2.250	I	2417578	128.23
836D	Steering	9J8165	0-3	8J8166	5.000	2.250	I	2410895	130.11
	Steering	9J8165	4-up	8J8166	5.000	2.250	I	2417578	128.23

All manufacturer's names, part numbers and descriptions are used for reference purposes only. We do not imply that any part shown is the product of these manufacturers.

MOTOR GRADER

CATERPILLAR

Model	Application	Cylinder Group	Engineering Design Change Level	Cylinder Assembly Part No.	Bore	Rod	I	Ref. Number RCAT-	\$
							M		
12G	Articulation	8J0546	0-up		3.000	1.750	I	2402016	70.99
	Articulation	9T2453	0-up	9T2452	3.000	1.750	I	2275350	24.93
	Articulation	9T8784	0-up	9T2452	3.000	1.750	I	2275350	24.93
	Backhoe Stick/Blade Shift	8J0028	0-up		3.000	1.750	I	2402016	70.99
	Blade	3G5223	0-up	8J6381	3.250	2.000	I	2386661	51.46
	Blade	8J6380	2-up	8J6381	3.250	2.000	I	2386661	51.46
	Blade	9T2472	0-up	9T2466	3.000	2.000	I	2384462	51.54
	Blade Tip	6E1549	0-up	6E1550	2.750	1.500	I	2339204	50.19
	Blade Tip	8J0024	3-up	8J0023	2.750	1.500	I	2465912	43.31
	Blade Tip	9J3466	0-up	9J3465	2.750	1.500	I	2465912	43.31
	Blade Tip	9T2461	1-4	9T2460	2.750	1.500	I	2465909	58.30
	Blade Tip	9T2461	5-up	9T2460	2.750	1.500	I	2339204	50.19
	Conveyor Swing	3G5224	0-up	3G5488	3.250	2.000	I	2386661	51.46
	Conveyor Swing	8J6367	2-up	8J6368	3.250	2.000	I	2386661	51.46
Conveyor Swing	9T2549	0-up	9T2898	3.000	2.000	I	2384462	51.54	
Ripper	1137754	0-up	1137755	4.000	2.000	I	2339205	48.11	
Ripper	8J1658	0-4	8J1657	4.000	2.000	I	2406899	42.77	
Ripper	8J1658	5-up	8J1657	4.000	2.000	I	2339205	48.11	
Scarifier	3G1853	1-up	3G1852	3.000	1.750	I	2402016	70.99	
Scarifier	8J7321	0-4	8J7322	3.000	1.500	I	2465922	83.21	
Scarifier	8J7321	5-up	8J7322	3.000	1.500	I	2465913	51.33	
Scarifier	9T2554	0-up	9T2664	3.000	1.750	I	2275350	24.93	
Scarifier	9T6951	0-up	9T2664	3.000	1.750	I	2275350	24.93	
Sideshift	1052094	0-up	9T2482	3.000	1.750	I	2275350	24.93	
Sideshift	9T2483	0-up	9T2482	3.000	1.750	I	2275350	24.93	
Steering	8J5538	0-2		2.500	1.500	I	2465911	42.65	
Steering	8J8820	0-1		2.500	1.500	I	2465911	42.65	
Steering LH	3G8070	0-up	3G8072	2.500	1.500	I	2465911	42.65	
Steering LH	8J8820	1-up	8J8821	2.500	1.500	I	2465911	42.65	
Steering LH	9T2395	0-up	9T2394	2.250	1.500	I	2465916	43.26	
Steering RH	3G8069	0-up	3G8071	2.500	1.500	I	2465911	42.65	
Steering RH	8J5538	2-up	8J6218	2.500	1.500	I	2465911	42.65	
Steering RH	9T2393	0-up	9T2392	2.250	1.500	I	2465916	43.26	
Wheel Lean	1219242	0-up	1231076	3.500	2.000	I	2281778	82.52	
Wheel Lean	3G4752	0-up	3G4754	3.500	1.500	I	2465914	76.45	
Wheel Lean	8J5539	1-up	8J6671	3.500	1.500	I	2465914	76.45	
Wheel Lean	9T2520	0-up	9T2521	3.500	1.500	I	2465917	120.77	
12H	Articulation	6E1560	0-up	6E1561	3.000	1.750	I	2275350	24.93
	Articulation	9T8784	0-up	9T2452	3.000	1.750	I	2275350	24.93
	Blade	1324929	0-up	1324928	3.000	2.000	I	2384462	51.54
	Blade Tip	6E1549	0-up	6E1550	2.750	1.500	I	2339204	50.19
	Conveyor Swing	6E1343	0-up	6E1344	3.000	2.000	I	2384462	51.54
	Ripper	1137754	0-up	1137755	4.000	2.000	I	2339205	48.11
	Scarifier	9T2554	0-up	9T2664	3.000	1.750	I	2275350	24.93
	Scarifier	9T6951	0-up	9T2664	3.000	1.750	I	2275350	24.93
	Sideshift	1125575	0-up	9T2482	3.000	1.750	I	2275350	24.93
	Steering LH	9T2395	0-up	9T2394	2.250	1.500	I	2465916	43.26

All manufacturer's names, part numbers and descriptions are used for reference purposes only. We do not imply that any part shown is the product of these manufacturers.

INDUSTRIAL SEAL KITS

MOBILE SEAL KITS



CATERPILLAR

CATERPILLAR
MOTOR GRADER

Model	Application	Cylinder Group	Engineering Design Change Level	Cylinder Assembly Part No.	Bore	Rod	I	Ref. Number RCAT-	\$
							M		
14G	Steering RH	9T2393	0-up	9T2392	2.250	1.500	I	2465916	43.26
	Wheel Lean	1219242	0-up	1231076	3.500	2.000	I	2281778	82.52
	Wheel Lean	9T2520	0-up	9T2521	3.500	1.500	I	2465917	120.77
	Articulation	1U2704	0-up	1U3112	3.500	2.000	I	2407308	70.34
	Articulation	6E2446	0-up	9T2878	3.500	2.000	I	2281778	82.52
	Articulation	6E4724	0-up	6E4725	3.500	2.000	I	2281778	82.52
	Articulation	9T2879	0-up	9T2878	3.500	2.000	I	2281778	82.52
	Backhoe Stick/Blade Shift	8J6359	1-up	8J6360	3.750	2.250	I	2410900	60.82
	Blade	3G5227	0-up		3.750	2.250	I	2410900	60.82
	Blade	8J6010	1-up	8J6011	3.750	2.250	I	2410900	60.82
	Blade	9T2703	0-up	9T2702	3.500	2.250	I	2350355	109.79
	Blade Tip	9T3198	0-up	9T3197	4.000	2.000	I	2339205	48.11
	Blade Tip	9T8944	0-up	9T8943	4.000	2.000	I	2339205	48.11
	Conveyor Swing	1574679	0-up	1574684	3.500	2.250	I	2350355	109.79
	Conveyor Swing	3G5228	0-up	3G5694	3.750	2.250	I	2410900	60.82
	Conveyor Swing	8J6250	1-up	8J6251	3.750	2.250	I	2410900	60.82
	Conveyor Swing	9T2696	0-up	9T2695	3.500	2.250	I	2350355	109.79
	Drawbar Tip	8J6256	0-up		3.000	1.750	I	2402016	70.99
	Ripper	1135264	0-1	1144776	5.000	2.500	I	2430384	153.34
	Ripper	1135264	2-up	1144776	5.000	2.500	I	2275347	75.28
	Ripper	3G1762	0-up	3G1761	5.000	2.500	I	2430386	157.63
	Ripper	3G5189	0	3G5188	5.000	2.500	I	2430386	157.63
	Ripper	3G5189	1-up	3G5188	5.000	2.500	I	2422542	160.90
	Sideshift	4T0340	3-up	4T0341	4.000	2.500	I	2422548	133.77
	Sideshift	9T3206	0-6	9T3209	4.000	2.500	I	2422548	133.77
	Sideshift	9T3206	7-up	9T3209	4.000	2.500	I	2341949	121.35
	Steering LH	3G7644	0-up	3G7646	2.750	1.500	I	2465912	43.31
	Steering LH	9J0541	0-up	9J0540	2.750	1.500	I	2465912	43.31
	Steering LH	9T1721	0-6	9T2806	2.500	1.750	I	2402484	79.20
	Steering LH	9T1721	7-up	9T2806	2.500	1.750	I	2405500	115.64
	Steering LH	9T2438	0-up	3G7646	2.750	1.750	I	2404713	67.41
	Steering RH	3G7643	0-up	3G7645	2.750	1.500	I	2465912	43.31
	Steering RH	8J5386	1-up	8J6246	2.750	1.500	I	2465912	43.31
	Steering RH	9T1301	0-6	9T2686	2.500	1.750	I	2402484	79.20
	Steering RH	9T1301	7-up	9T2686	2.500	1.750	I	2405500	115.64
	Steering RH	9T2437	0-up	3G7645	2.750	1.750	I	2404713	67.41
	Tip	4T0379	0-3	4T2659	4.000	2.000	I	2406899	42.77
	Tip	4T0379	4-up	4T2659	4.000	2.000	I	2339205	48.11
	Wheel Lean	1219243	0-up	1231076	3.500	2.000	I	2281778	82.52
	Wheel Lean	3G4751	0-up	3G4754	3.500	1.500	I	2465914	76.45
	Wheel Lean	8J5385	1-up	8J6265	3.500	1.500	I	2465914	76.45
	Wheel Lean	9T3219	0-up	9T2521	3.500	1.500	I	2465917	120.77
14H	Articulation	6E2446	0-up	9T2878	3.500	2.000	I	2281778	82.52
	Articulation	6E4724	0-up	6E4725	3.500	2.000	I	2281778	82.52
	Articulation	9T2879	0-up	9T2878	3.500	2.000	I	2281778	82.52
	Blade	9T2703	0-up	9T2702	3.500	2.250	I	2350355	109.79

All manufacturer's names, part numbers and descriptions are used for reference purposes only. We do not imply that any part shown is the product of these manufacturers.

MOTOR GRADER

CATERPILLAR

Model	Application	Cylinder Group	Engineering Design Change Level	Cylinder Assembly Part No.	Bore	Rod	I	Ref. Number RCAT-	\$
							M		
	Blade Tip	9T3198	0-up	9T3197	4.000	2.000	I	2339205	48.11
	Blade Tip	9T8944	0-up	9T8943	4.000	2.000	I	2339205	48.11
	Conveyor Swing	1574679	0-up	1574684	3.500	2.250	I	2350355	109.79
	Conveyor Swing	9T2696	0-up	9T2695	3.500	2.250	I	2350355	109.79
	Ripper	1135264	0-1	1144776	5.000	2.500	I	2430384	153.34
	Ripper	1135264	2-up	1144776	5.000	2.500	I	2275347	75.28
	Sideshift	9T3206	0-6	9T3209	4.000	2.500	I	2422548	133.77
	Sideshift	9T3206	7-up	9T3209	4.000	2.500	I	2341949	121.35
	Steering LH	9T1721	0-6	9T2806	2.500	1.750	I	2402484	79.20
	Steering LH	9T1721	7-up	9T2806	2.500	1.750	I	2405500	115.64
	Steering RH	9T1301	0-6	9T2686	2.500	1.750	I	2402484	79.20
	Steering RH	9T1301	7-up	9T2686	2.500	1.750	I	2405500	115.64
16	Wheel Lean	1219243	0-up	1231076	3.500	2.000	I	2281778	82.52
	Wheel Lean	9T3219	0-up	9T2521	3.500	1.500	I	2465917	120.77
	Blade LH	6J5844	0-up	6J5839	5.000	2.500	I	2422553	99.57
	Blade RH	6J5843	0-up	6J5839	5.000	2.500	I	2422553	99.57
	Steering	5J1931	0-up	5J1930	5.000	2.000	I	2408479	56.83
	Tip	6J9731	0-up	6J9728	4.000	1.500	I	2465910	70.09
	Tip	6J9732	0-up	6J9728	4.000	1.500	I	2465910	70.09
16G	Articulation	1U1649	5-up	1U1746	4.000	2.500	I	2422548	133.77
	Articulation	9T3050	0-6	9T3055	4.000	2.500	I	2422548	133.77
	Articulation	9T3050	7-up	9T3055	4.000	2.500	I	2341949	121.35
	Backhoe Stick/Blade Shift	8J5568	0-6	8J5567	4.250	2.500	I	2422546	122.86
	Backhoe Stick/Blade Shift	8J5568	7-up	8J5567	4.250	2.500	I	2430393	121.56
	Blade	3G5229	0-5	3G7424	4.250	2.500	I	2422546	122.86
	Blade	3G5229	6-up	3G7424	4.250	2.500	I	2430393	121.56
	Blade	9T3106	0-6	9T3109	4.000	2.500	I	2422548	133.77
	Blade	9T3106	7-up	9T3109	4.000	2.500	I	2341949	121.35
	Blade Tip	9T3198	0-up	9T3197	4.000	2.000	I	2339205	48.11
	Blade Tip	9T8944	0-up	9T8943	4.000	2.000	I	2339205	48.11
	Conveyor Swing	3G5230	0-4	3G5699	4.250	2.500	I	2422546	122.86
	Conveyor Swing	3G5230	5-up	3G5699	4.250	2.500	I	2430393	121.56
	Conveyor Swing	9T3312	0-6	9T3315	4.000	2.500	I	2422548	133.77
	Conveyor Swing	9T3312	7-up	9T3315	4.000	2.500	I	2341949	121.35
	Drawbar Tip	8J3761	1-up	8J3762	3.000	1.750	I	2402016	70.99
	Lift	8J5827	1-up	8J5826	4.250	2.500	I	2422546	122.86
	Ripper	1135264	0-1	1144776	5.000	2.500	I	2430384	153.34
	Ripper	1135264	2-up	1144776	5.000	2.500	I	2275347	75.28
	Ripper	3G1853	0-up	3G1761	5.000	2.500	I	2430386	157.63
	Ripper	3G5189	0	3G5188	5.000	2.500	I	2430386	157.63
	Ripper	3G5189	1-up	3G5188	5.000	2.500	I	2422542	160.90
	Sideshift	4T0340	3-up	4T0341	4.000	2.500	I	2422548	133.77
	Sideshift	9T3206	0-6	9T3209	4.000	2.500	I	2422548	133.77
	Sideshift	9T3206	7-up	9T3209	4.000	2.500	I	2341949	121.35
	Steering LH	3G7599	0-up	3G7601	3.000	1.750	I	2402016	70.99
	Steering LH	8J3612	1-up	8J5515	3.000	1.750	I	2402016	70.99

All manufacturer's names, part numbers and descriptions are used for reference purposes only. We do not imply that any part shown is the product of these manufacturers.

INDUSTRIAL SEAL KITS

MOBILE SEAL KITS



CATERPILLAR

CATERPILLAR

MOTOR GRADER

Model	Application	Cylinder Group	Engineering Design Change Level	Cylinder Assembly Part No.	Bore	Rod	I	Ref. Number RCAT-	\$	
							M			
	Steering LH	9T2854	0-8	9T2852	2.750	1.750	I	2402482	63.41	
	Steering LH	9T2854	9-up	9T2852	2.750	1.750	I	2342595	120.82	
	Steering RH	3G7600	0-up	3G7602	3.000	1.750	I	2402016	70.99	
	Steering RH	8J8411	0-up	8J8459	3.000	1.750	I	2402016	70.99	
	Steering RH	9T2853	0-8	9T2851	2.750	1.750	I	2402482	63.41	
	Steering RH	9T2853	9-up	9T2851	2.750	1.750	I	2342595	120.82	
	Tip	4T0379	0-3	4T2659	4.000	2.000	I	2406899	42.77	
	Tip	4T0379	4-up	4T2659	4.000	2.000	I	2339205	48.11	
	Wheel Lean	1219243	0-up	1231077	4.000	2.250	I	2281778	82.52	
	Wheel Lean	3G4750	0-up	3G4756	4.000	1.750	I	2401905	74.50	
	Wheel Lean	8J3613	0-up		4.000	1.750	I	2404819	87.06	
	Wheel Lean	9T3492	0-up	9T3497	4.000	1.750	I	2404819	87.06	
	16H	Articulation	9T3050	0-6	9T3055	4.000	2.500	I	2422548	133.77
		Articulation	9T3050	7-up	9T3055	4.000	2.500	I	2341949	121.35
Blade		9T3106	0-6	9T3109	4.000	2.500	I	2422548	133.77	
Blade		9T3106	7-up	9T3109	4.000	2.500	I	2341949	121.35	
Blade Tip		9T3198	0-up	9T3197	4.000	2.000	I	2339205	48.11	
Blade Tip		9T8944	0-up	9T8943	4.000	2.000	I	2339205	48.11	
Conveyor Swing		9T3312	0-6	9T3315	4.000	2.500	I	2422548	133.77	
Conveyor Swing		9T3312	7-up	9T3315	4.000	2.500	I	2341949	121.35	
Ripper		1135264	0-1	1144776	5.000	2.500	I	2430384	153.34	
Ripper		1135264	2-up	1144776	5.000	2.500	I	2275347	75.28	
Sideshift	9T3206	0-6	9T3209	4.000	2.500	I	2422548	133.77		
	Sideshift	9T3206	7-up	9T3209	4.000	2.500	I	2341949	121.35	
	Steering LH	9T2854	0-8	9T2852	2.750	1.750	I	2402482	63.41	
	Steering LH	9T2854	9-up	9T2852	2.750	1.750	I	2342595	120.82	
	Steering RH	9T2853	0-8	9T2851	2.750	1.750	I	2402482	63.41	
	Steering RH	9T2853	9-up	9T2851	2.750	1.750	I	2342595	120.82	
	Wheel Lean	1219244	0-up	1231077	4.000	2.250	I	2342591	51.76	
	Wheel Lean	9T3492	0-up	9T3497	4.000	1.750	I	2404819	87.06	
	24H	Articulation	1170837	0-up	1199501	4.750	3.000	I	2275349	138.15
Articulation		1433033	1-up	1433035	5.000	3.000	I	2442074	69.54	
Blade		1170830	0-up	1186540	4.000	2.250	I	2342591	51.76	
Blade		1170832	3-up	1178630	5.250	3.000	I	2281776	86.98	
120B	Ripper	1137754	0-up	1137755	4.000	2.000	I	2339205	48.11	
	Steering	1170833	0-up	1185199	3.500	2.500	I	1864327	114.44	
	Tip	1435988	0-up	1435989	4.750	2.500	I	2341948	149.11	
	Wheel Lean	1170836	1-up	1181951	4.750	2.500	I	2341948	149.11	
	Steering	4J4115	10-up	4J4116	4.000	1.500	I	2465910	70.09	
120G	Articulation	8J8590	0-up		3.000	1.750	I	2402016	70.99	
	Articulation	9T2447	0-up	9T2446	3.000	1.750	I	2275350	24.93	
	Articulation	9T8785	0-up	9T2446	3.000	1.750	I	2275350	24.93	
	Backhoe Stick/Blade Shift	8J0028	0-up		3.000	1.750	I	2402016	70.99	
	Blade	3G5225	0-up	8J8693	3.000	1.750	I	2402016	70.99	

All manufacturer's names, part numbers and descriptions are used for reference purposes only. We do not imply that any part shown is the product of these manufacturers.

INDUSTRIAL SEAL KITS

MOBILE SEAL KITS



CATERPILLAR

Remsa [KITS]

MOTOR GRADER

CATERPILLAR

Model	Application	Cylinder Group	Engineering Design Change Level	Cylinder Assembly Part No.	Bore	Rod	I	Ref. Number RCAT-	\$
							M		
	Blade	8J8589	2-up	8J8693	3.000	1.750	I	2402016	70.99
	Blade	9T2471	0-up	9T2470	3.000	1.750	I	2275350	24.93
	Blade Tip	6E1549	0-up	6E1550	2.750	1.500	I	2339204	50.19
	Blade Tip	8J0024	3-up	8J0023	2.750	1.500	I	2465912	43.31
	Blade Tip	9J3466	0-up	9J3465	2.750	1.500	I	2465912	43.31
	Blade Tip	9T2461	1-4	9T2460	2.750	1.500	I	2465909	58.30
	Blade Tip	9T2461	5-up	9T2460	2.750	1.500	I	2339204	50.19
	Conveyor Swing	3G5226	0-up	3G5689	3.000	1.750	I	2402016	70.99
	Conveyor Swing	8J8777	2-up	8J8869	3.000	1.750	I	2402016	70.99
	Conveyor Swing	9T2374	0-up	9T2384	3.000	1.750	I	2275350	24.93
	Scarifier	3G1853	1-up	3G1852	3.000	1.750	I	2402016	70.99
	Scarifier	8J7321	0-4	8J7322	3.000	1.500	I	2465922	83.21
	Scarifier	8J7321	5-up	8J7322	3.000	1.500	I	2465913	51.33
	Scarifier	9T2554	0-up	9T2664	3.000	1.750	I	2275350	24.93
	Scarifier	9T6951	0-up	9T2664	3.000	1.750	I	2275350	24.93
	Sideshift	1052094	0-up	9T2482	3.000	1.750	I	2275350	24.93
Sideshift	9T2483	0-up	9T2482	3.000	1.750	I	2275350	24.93	
Steering	8J5538	0-2		2.500	1.500	I	2465911	42.65	
Steering	8J8820	0-1		2.500	1.500	I	2465911	42.65	
Steering LH	3G8070	0-up	3G8072	2.500	1.500	I	2465911	42.65	
Steering LH	8J8820	1-up	8J8821	2.500	1.500	I	2465911	42.65	
Steering LH	9T2395	0-up	9T2394	2.250	1.500	I	2465916	43.26	
Steering RH	3G8069	0-up	3G8071	2.500	1.500	I	2465911	42.65	
Steering RH	8J5538	2-up	8J6218	2.500	1.500	I	2465911	42.65	
120H	Steering RH	9T2393	0-up	9T2392	2.250	1.500	I	2465916	43.26
	Wheel Lean	1219242	0-up	1231076	3.500	2.000	I	2281778	82.52
	Wheel Lean	3G4752	0-up	3G4754	3.500	1.500	I	2465914	76.45
	Wheel Lean	8J5539	1-up	8J6671	3.500	1.500	I	2465914	76.45
	Wheel Lean	9T2520	0-up	9T2521	3.500	1.500	I	2465917	120.77
	Articulation	6E1554	0-up	6E1555	3.000	1.750	I	2275350	24.93
Articulation	6E4724	0-up	6E4725	3.500	2.000	I	2281778	82.52	
Articulation	9T8785	0-up	9T2446	3.000	1.750	I	2275350	24.93	
Blade	1198664	0-up	1198665	3.000	2.000	I	2384462	51.54	
Blade	1324926	0-up	1324927	3.000	2.000	I	2384462	51.54	
Blade Tip	6E1549	0-up	6E1550	2.750	1.500	I	2339204	50.19	
	Conveyor Swing	6E1754	0-up	6E1634	3.000	2.000	I	2384462	51.54
	Scarifier	9T2554	0-up	9T2664	3.000	1.750	I	2275350	24.93
	Scarifier	9T6951	0-up	9T2664	3.000	1.750	I	2275350	24.93
	Sideshift	1125575	0-up	9T2482	3.000	1.750	I	2275350	24.93
	Steering LH	9T2395	0-up	9T2394	2.250	1.500	I	2465916	43.26
	Steering RH	9T2393	0-up	9T2392	2.250	1.500	I	2465916	43.26
	Wheel Lean	1219242	0-up	1231076	3.500	2.000	I	2281778	82.52
Wheel Lean	9T2520	0-up	9T2521	3.500	1.500	I	2465917	120.77	
130G	Articulation	8J0546	0-up		3.000	1.750	I	2402016	70.99
	Articulation	9T2453	0-up	9T2452	3.000	1.750	I	2275350	24.93
	Articulation	9T8784	0-up	9T2452	3.000	1.750	I	2275350	24.93

All manufacturer's names, part numbers and descriptions are used for reference purposes only. We do not imply that any part shown is the product of these manufacturers.

INDUSTRIAL SEAL KITS

MOBILE SEAL KITS



CATERPILLAR

CATERPILLAR

MOTOR GRADER

Model	Application	Cylinder Group	Engineering Design Change Level	Cylinder Assembly Part No.	Bore	Rod	I	Ref. Number RCAT-	\$	
							M			
	Backhoe Stick/Blade Shift	8J0028	0-up		3.000	1.750	I	2402016	70.99	
	Blade	3G5223	0-up	8J6381	3.250	2.000	I	2386661	51.46	
	Blade	8J6380	2-up	8J6381	3.250	2.000	I	2386661	51.46	
	Blade	9T2472	0-up	9T2466	3.000	2.000	I	2384462	51.54	
	Blade Tip	6E1549	0-up	6E1550	2.750	1.500	I	2339204	50.19	
	Blade Tip	8J0024	3-up	8J0023	2.750	1.500	I	2465912	43.31	
	Blade Tip	9J3466	0-up	9J3465	2.750	1.500	I	2465912	43.31	
	Blade Tip	9T2461	1-4	9T2460	2.750	1.500	I	2465909	58.30	
	Blade Tip	9T2461	5-up	9T2460	2.750	1.500	I	2339204	50.19	
	Conveyor Swing	3G5224	0-up	3G5488	3.250	2.000	I	2386661	51.46	
	Conveyor Swing	8J6367	2-up	8J6368	3.250	2.000	I	2386661	51.46	
	Conveyor Swing	9T2549	0-up	9T2898	3.000	2.000	I	2384462	51.54	
		Ripper	1137754	0-up	1137755	4.000	2.000	I	2339205	48.11
		Ripper	8J1658	0-4	8J1657	4.000	2.000	I	2406899	42.77
Ripper		8J1658	5-up	8J1657	4.000	2.000	I	2339205	48.11	
Scarifier		3G1853	1-up	3G1852	3.000	1.750	I	2402016	70.99	
Scarifier		8J7321	0-4	8J7322	3.000	1.500	I	2465922	83.21	
Scarifier		8J7321	5-up	8J7322	3.000	1.500	I	2465913	51.33	
Scarifier		9T2554	0-up	9T2664	3.000	1.750	I	2275350	24.93	
Scarifier		9T6951	0-up	9T2664	3.000	1.750	I	2275350	24.93	
Sideshift		1052094	0-up	9T2482	3.000	1.750	I	2275350	24.93	
Sideshift		9T2483	0-up	9T2482	3.000	1.750	I	2275350	24.93	
	Steering	8J5538	0-2		2.500	1.500	I	2465911	42.65	
	Steering	8J8820	0-1		2.500	1.500	I	2465911	42.65	
	Steering LH	3G8070	0-up	3G8072	2.500	1.500	I	2465911	42.65	
	Steering LH	8J8820	1-up	8J8821	2.500	1.500	I	2465911	42.65	
	Steering LH	9T2395	0-up	9T2394	2.250	1.500	I	2465916	43.26	
	Steering RH	3G8069	0-up	3G8071	2.500	1.500	I	2465911	42.65	
	Steering RH	8J5538	2-up	8J6218	2.500	1.500	I	2465911	42.65	
	Steering RH	9T2393	0-up	9T2392	2.250	1.500	I	2465916	43.26	
		Wheel Lean	1219242	0-up	1231076	3.500	2.000	I	2281778	82.52
Wheel Lean		3G4752	0-up	3G4754	3.500	1.500	I	2465914	76.45	
Wheel Lean		8J5539	1-up	8J6671	3.500	1.500	I	2465914	76.45	
Wheel Lean		9T2520	0-up	9T2521	3.500	1.500	I	2465917	120.77	
135H	Articulation	6E1554	0-up	6E1555	3.000	1.750	I	2275350	24.93	
	Articulation	6E4724	0-up	6E4725	3.500	2.000	I	2281778	82.52	
	Articulation	9T8785	0-up	9T2446	3.000	1.750	I	2275350	24.93	
	Blade	1324926	0-up	1324927	3.000	2.000	I	2384462	51.54	
	Blade Tip	6E1549	0-up	6E1550	2.750	1.500	I	2339204	50.19	
	Conveyor Swing	6E1754	0-up	6E1634	3.000	2.000	I	2384462	51.54	
	Scarifier	9T2554	0-up	9T2664	3.000	1.750	I	2275350	24.93	
	Scarifier	9T6951	0-up	9T2664	3.000	1.750	I	2275350	24.93	
	Sideshift	1125575	0-up	9T2482	3.000	1.750	I	2275350	24.93	
	Steering LH	9T2395	0-up	9T2394	2.250	1.500	I	2465916	43.26	
	Steering RH	9T2393	0-up	9T2392	2.250	1.500	I	2465916	43.26	
	Wheel Lean	1219242	0-up	1231076	3.500	2.000	I	2281778	82.52	
	Wheel Lean	9T2520	0-up	9T2521	3.500	1.500	I	2465917	120.77	

All manufacturer's names, part numbers and descriptions are used for reference purposes only. We do not imply that any part shown is the product of these manufacturers.

INDUSTRIAL SEAL KITS

MOBILE SEAL KITS



CATERPILLAR

Remsa [KITS]

MOTOR GRADER

CATERPILLAR

Model	Application	Cylinder Group	Engineering Design Change Level	Cylinder Assembly Part No.	Bore	Rod	I	Ref. Number RCAT-	\$
							M		
140B	Ripper	3G5189	0	3G5188	5.000	2.500	I	2430386	157.63
	Ripper	3G5189	1-up	3G5188	5.000	2.500	I	2422542	160.90
140G	Articulation	8J0546	0-up		3.000	1.750	I	2402016	70.99
	Articulation	9T2453	0-up	9T2452	3.000	1.750	I	2275350	24.93
	Articulation	9T8784	0-up	9T2452	3.000	1.750	I	2275350	24.93
	Backhoe Stick/Blade Shift	8J0028	0-up		3.000	1.750	I	2402016	70.99
	Blade	3G5223	0-up	8J6381	3.250	2.000	I	2386661	51.46
	Blade	8J6380	2-up	8J6381	3.250	2.000	I	2386661	51.46
	Blade	9T2472	0-up	9T2466	3.000	2.000	I	2384462	51.54
	Blade Tip	6E1549	0-up	6E1550	2.750	1.500	I	2339204	50.19
Blade Tip	8J0024	3-up	8J0023	2.750	1.500	I	2465912	43.31	
	Blade Tip	9J3466	0-up	9J3465	2.750	1.500	I	2465912	43.31
	Blade Tip	9T2461	1-4	9T2460	2.750	1.500	I	2465909	58.30
	Blade Tip	9T2461	5-up	9T2460	2.750	1.500	I	2339204	50.19
	Conveyor Swing	3G5224	0-up	3G5488	3.250	2.000	I	2386661	51.46
	Conveyor Swing	8J6367	2-up	8J6368	3.250	2.000	I	2386661	51.46
	Conveyor Swing	9T2549	0-up	9T2898	3.000	2.000	I	2384462	51.54
	Ripper	1137754	0-up	1137755	4.000	2.000	I	2339205	48.11
	Ripper	8J1658	0-4	8J1657	4.000	2.000	I	2406899	42.77
	Ripper	8J1658	5-up	8J1657	4.000	2.000	I	2339205	48.11
	Scarifier	3G1853	1-up	3G1852	3.000	1.750	I	2402016	70.99
	Scarifier	8J7321	0-4	8J7322	3.000	1.500	I	2465922	83.21
	Scarifier	8J7321	5-up	8J7322	3.000	1.500	I	2465913	51.33
	Scarifier	9T2554	0-up	9T2664	3.000	1.750	I	2275350	24.93
	Scarifier	9T6951	0-up	9T2664	3.000	1.750	I	2275350	24.93
	Sideshift	1052094	0-up	9T2482	3.000	1.750	I	2275350	24.93
	Sideshift	9T2483	0-up	9T2482	3.000	1.750	I	2275350	24.93
	Steering	8J5538	0-2		2.500	1.500	I	2465911	42.65
	Steering	8J8820	0-1		2.500	1.500	I	2465911	42.65
	Steering LH	3G8070	0-up	3G8072	2.500	1.500	I	2465911	42.65
	Steering LH	8J8820	1-up	8J8821	2.500	1.500	I	2465911	42.65
	Steering LH	9T2395	0-up	9T2394	2.250	1.500	I	2465916	43.26
	Steering RH	3G8069	0-up	3G8071	2.500	1.500	I	2465911	42.65
	Steering RH	8J5538	2-up	8J6218	2.500	1.500	I	2465911	42.65
	Steering RH	9T2393	0-up	9T2392	2.250	1.500	I	2465916	43.26
	Wheel Lean	1219242	0-up	1231076	3.500	2.000	I	2281778	82.52
	Wheel Lean	3G4152	0-up	3G4754	3.500	1.500	I	2465914	76.45
	Wheel Lean	8J5539	1-up	8J6671	3.500	1.500	I	2465914	76.45
	Wheel Lean	9T2520	0-up	9T2521	3.500	1.500	I	2465917	120.77
140H	Articulation	1376790	0-up	1376793	3.250	1.875	I	2465926	78.98
	Articulation	1376792	0-up	1376791	3.250	1.875	I	2465926	78.98
	Articulation	6E1560	0-up	6E1561	3.000	1.750	I	2275350	24.93
	Articulation	9T8784	0-up	9T2452	3.000	1.750	I	2275350	24.93
	Blade	1324929	0-up	1324928	3.000	2.000	I	2384462	51.54
	Blade Tip	6E1549	0-up	6E1550	2.750	1.500	I	2339204	50.19
	Conveyor Swing	6E1343	0-up	6E1344	3.000	2.000	I	2384462	51.54

All manufacturer's names, part numbers and descriptions are used for reference purposes only. We do not imply that any part shown is the product of these manufacturers.

INDUSTRIAL SEAL KITS

MOBILE SEAL KITS



CATERPILLAR

CATERPILLAR

MOTOR GRADER

Model	Application	Cylinder Group	Engineering Design Change Level	Cylinder Assembly Part No.	Bore	Rod	I	Ref. Number RCAT-	\$
							M		
143H	Ripper	1137754	0-up	1137755	4.000	2.000	I	2339205	48.11
	Scarifier	9T2554	0-up	9T2664	3.000	1.750	I	2275350	24.93
	Scarifier	9T6951	0-up	9T2664	3.000	1.750	I	2275350	24.93
	Sideshift	1125575	0-up	9T2482	3.000	1.750	I	2275350	24.93
	Steering LH	9T2395	0-up	9T2394	2.250	1.500	I	2465916	43.26
	Steering RH	9T2393	0-up	9T2392	2.250	1.500	I	2465916	43.26
	Wheel Lean	1219242	0-up	1231076	3.500	2.000	I	2281778	82.52
	Wheel Lean	9T2520	0-up	9T2521	3.500	1.500	I	2465917	120.77
	Articulation	1376790	0-up	1376793	3.250	1.875	I	2465926	78.98
	Articulation	1376792	0-up	1376791	3.250	1.875	I	2465926	78.98
	Articulation	6E1560	0-up	6E1561	3.000	1.750	I	2275350	24.93
	Articulation	9T8784	0-up	9T2452	3.000	1.750	I	2275350	24.93
	Blade	1324929	0-up	1324928	3.000	2.000	I	2384462	51.54
	Blade Tip	6E1549	0-up	6E1550	2.750	1.500	I	2339204	50.19
Conveyor Swing	6E1343	0-up	6E1344	3.000	2.000	I	2384462	51.54	
Ripper	1137754	0-up	1137755	4.000	2.000	I	2339205	48.11	
Scarifier	9T2554	0-up	9T2664	3.000	1.750	I	2275350	24.93	
Scarifier	9T6951	0-up	9T2664	3.000	1.750	I	2275350	24.93	
Sideshift	1125575	0-up	9T2482	3.000	1.750	I	2275350	24.93	
Steering LH	9T2395	0-up	9T2394	2.250	1.500	I	2465916	43.26	
Steering RH	9T2393	0-up	9T2392	2.250	1.500	I	2465916	43.26	
Wheel Lean	1219242	0-up	1231076	3.500	2.000	I	2281778	82.52	
Wheel Lean	9T2520	0-up	9T2521	3.500	1.500	I	2465917	120.77	
160G	Articulation	8J0546	0-up		3.000	1.750	I	2402016	70.99
	Articulation	9T2453	0-up	9T2452	3.000	1.750	I	2275350	24.93
	Articulation	9T8784	0-up	9T2452	3.000	1.750	I	2275350	24.93
	Backhoe Stick/Blade Shift	8J0028	0-up		3.000	1.750	I	2402016	70.99
	Blade	3G5223	0-up	8J6381	3.250	2.000	I	2386661	51.46
	Blade	8J6380	2-up	8J6381	3.250	2.000	I	2386661	51.46
	Blade	9T2472	0-up	9T2466	3.000	2.000	I	2384462	51.54
	Blade Tip	6E1549	0-up	6E1550	2.750	1.500	I	2339204	50.19
	Blade Tip	8J0024	3-up	8J0023	2.750	1.500	I	2465912	43.31
	Blade Tip	9J3466	0-up	9J3465	2.750	1.500	I	2465912	43.31
	Blade Tip	9T2461	1-4	9T2460	2.750	1.500	I	2465909	58.30
	Blade Tip	9T2461	5-up	9T2460	2.750	1.500	I	2339204	50.19
	Conveyor Swing	3G5224	0-up	3G5488	3.250	2.000	I	2386661	51.46
	Conveyor Swing	8J6367	2-up	8J6368	3.250	2.000	I	2386661	51.46
Conveyor Swing	9T2549	0-up	9T2898	3.000	2.000	I	2384462	51.54	
Scarifier	3G1853	1-up	3G1852	3.000	1.750	I	2402016	70.99	
Scarifier	9T2554	0-up	9T2664	3.000	1.750	I	2275350	24.93	
Scarifier	9T6951	0-up	9T2664	3.000	1.750	I	2275350	24.93	
Sideshift	1052094	0-up	9T2482	3.000	1.750	I	2275350	24.93	
Sideshift	9T2483	0-up	9T2482	3.000	1.750	I	2275350	24.93	
Steering	8J5538	0-2		2.500	1.500	I	2465911	42.65	
Steering	8J8820	0-1		2.500	1.500	I	2465911	42.65	
Steering LH	3G8070	0-up	3G8072	2.500	1.500	I	2465911	42.65	

All manufacturer's names, part numbers and descriptions are used for reference purposes only. We do not imply that any part shown is the product of these manufacturers.

INDUSTRIAL
SEAL KITS

MOBILE
SEAL KITS



CATERPILLAR

Remsa [KITS]

MOTOR GRADER

CATERPILLAR

Model	Application	Cylinder Group	Engineering Design Change Level	Cylinder Assembly Part No.	Bore	Rod	I	Ref. Number RCAT-	\$
							M		
160H	Steering LH	8J8820	1-up	8J8821	2.500	1.500	I	2465911	42.65
	Steering LH	9T2395	0-up	9T2394	2.250	1.500	I	2465916	43.26
	Steering RH	3G8069	0-up	3G8071	2.500	1.500	I	2465911	42.65
	Steering RH	8J5538	2-up	8J6218	2.500	1.500	I	2465911	42.65
	Steering RH	9T2393	0-up	9T2392	2.250	1.500	I	2465916	43.26
	Wheel Lean	1219242	0-up	1231076	3.500	2.000	I	2281778	82.52
	Wheel Lean	3G4752	0-up	3G4754	3.500	1.500	I	2465914	76.45
	Wheel Lean	9T2520	0-up	9T2521	3.500	1.500	I	2465917	120.77
	Articulation	1376790	0-up	1376793	3.250	1.875	I	2465926	78.98
	Articulation	1376792	0-up	1376791	3.250	1.875	I	2465926	78.98
	Articulation	6E1560	0-up	6E1561	3.000	1.750	I	2275350	24.93
	Articulation	9T8784	0-up	9T2452	3.000	1.750	I	2275350	24.93
	Blade	1324929	0-up	1324928	3.000	2.000	I	2384462	51.54
	Blade Tip	6E1549	0-up	6E1550	2.750	1.500	I	2339204	50.19
	Conveyor Swing	6E1343	0-up	6E1344	3.000	2.000	I	2384462	51.54
	Ripper	1137754	0-up	1137755	4.000	2.000	I	2339205	48.11
Scarifier	9T2554	0-up	9T2664	3.000	1.750	I	2275350	24.93	
Scarifier	9T6951	0-up	9T2664	3.000	1.750	I	2275350	24.93	
Sideshift	1125575	0-up	9T2482	3.000	1.750	I	2275350	24.93	
Steering LH	9T2395	0-up	9T2394	2.250	1.500	I	2465916	43.26	
Steering RH	9T2393	0-up	9T2392	2.250	1.500	I	2465916	43.26	
Wheel Lean	1219242	0-up	1231076	3.500	2.000	I	2281778	82.52	
Wheel Lean	9T2520	0-up	9T2521	3.500	1.500	I	2465917	120.77	
163H	Articulation	1376790	0-up	1376793	3.250	1.875	I	2465926	78.98
	Articulation	1376792	0-up	1376791	3.250	1.875	I	2465926	78.98
	Articulation	6E1560	0-up	6E1561	3.000	1.750	I	2275350	24.93
	Articulation	9T8784	0-up	9T2452	3.000	1.750	I	2275350	24.93
	Blade	1324929	0-up	1324928	3.000	2.000	I	2384462	51.54
	Blade Tip	6E1549	0-up	6E1550	2.750	1.500	I	2339204	50.19
	Conveyor Swing	6E1343	0-up	6E1344	3.000	2.000	I	2384462	51.54
	Ripper	1137754	0-up	1137755	4.000	2.000	I	2339205	48.11
	Scarifier	9T2554	0-up	9T2664	3.000	1.750	I	2275350	24.93
	Scarifier	9T6951	0-up	9T2664	3.000	1.750	I	2275350	24.93
	Sideshift	1125575	0-up	9T2482	3.000	1.750	I	2275350	24.93
	Steering LH	9T2395	0-up	9T2394	2.250	1.500	I	2465916	43.26
Steering RH	9T2393	0-up	9T2392	2.250	1.500	I	2465916	43.26	
Wheel Lean	1219242	0-up	1231076	3.500	2.000	I	2281778	82.52	
Wheel Lean	9T2520	0-up	9T2521	3.500	1.500	I	2465917	120.77	

All manufacturer's names, part numbers and descriptions are used for reference purposes only. We do not imply that any part shown is the product of these manufacturers.

INDUSTRIAL SEAL KITS

MOBILE SEAL KITS



CATERPILLAR

CATERPILLAR

OFF-HIGHWAY TRUCK

INDUSTRIAL
SEAL KITS

MOBILE
SEAL KITS



CATERPILLAR

Model	Application	Cylinder Group	Engineering Design Change Level	Cylinder Assembly Part No.	Bore	Rod	I	Ref. Number RCAT-	\$
							M		
768B	Steering	7J7528	0-up	6J1124	3.750	2.375	I	2578422	114.70
	Steering	9J1287	0-up	9J1301	3.750	2.375	I	2578422	114.70
	Suspension Rear	3G0688	N/A	N/A	8.500	7.000	I	1417296/PI/SI	218.57
	Suspension Front	7J8286	12-up	N/A	8.000	7.000	I	3195647	807.53
	Suspension Front	7J8286	12-up	N/A	8.000	7.000	I	3195647-G	499.43
768C	Steering	9J1287	0-up	9J1301	3.750	2.375	I	2578422	114.70
	Suspension Rear	1162836	0-up	9T6085	8.500	7.000	I	2976848	434.65
	Suspension	1162836	0-up	9T6085	8.500	7.000	I	2976848-G	218.57
	Suspension Front	7J8286	16-up	N/A	8.000	7.000	I	3195647	807.53
	Suspension Front	7J8286	16-up	N/A	8.000	7.000	I	3195647-G	499.43
769	Steering	9J1287	0-up	9J1301	3.750	2.375	I	2578422	114.70
	Suspension Rear	5J6572	N/A	N/A	8.500	7.000	I	1417296/SI	218.57
	Suspension Rear	4J8770	0-up	4J8768	8.500	7.000	I	1417296/SI	218.57
	Suspension Front	7J8286	12-up	N/A	8.000	7.000	I	3195647	807.53
	Suspension Front	7J8286	12-up	N/A	8.000	7.000	I	3195647-G	499.43
	Hoist	9M1366	0-up	8N4201	7.000	3.500	I	O/R	O/R
769B	Steering	6J1203	2-up	6J1124	3.750	2.375	I	2578422	114.70
	Steering	7J7528	0-up	6J1124	3.750	2.375	I	2578422	114.70
	Steering	9J1287	0-up	9J1301	3.750	2.375	I	2578422	114.70
	Suspension Rear	5J6572	N/A	N/A	8.500	7.000	I	1417296/SI	218.57
	Suspension Front	7J8286	12-up	N/A	8.000	7.000	I	3195647	807.53
769C	Suspension Front	7J8286	12-up	N/A	8.000	7.000	I	3195647-G	499.43
	Hoist	8J2471	0-up	6J3063	7.000	3.500	I	O/R	O/R
	Steering	9J1287	0-up	9J1301	3.750	2.375	I	2578422	114.70
	Suspension Rear	1162836	0-up	9T6085	8.500	7.000	I	2976848	434.65
	Suspension	1162836	0-up	9T6085	8.500	7.000	I	2976848-G	218.57
	Suspension Rear	9T6086	0-up	9T6085	8.500	7.000	I	2976848	434.65
	Suspension Rear	9T6086	0-up	9T6085	8.500	7.000	I	2976848-G	218.57
	Suspension Front	7J8286	16-up	N/A	8.000	7.000	I	3195647	807.53
	Suspension Front	7J8286	16-up	N/A	8.000	7.000	I	3195647-G	499.43
	Hoist	4T4168	0-up	9J4150	7.000	4.000	I	8T4772	264.11
	Hoist	9J4149	0-up	N/A	7.000	4.000	I	8T4772	264.11
	769D	Steering	1100532	0-up	1100533	3.000	2.000	I	2384462
Steering		9J1287	0-up	9J1301	3.750	2.375	I	2578422	114.70
Suspension Rear		1162836	0-up	9T6085	8.500	7.000	I	2976848	434.65
Suspension		1162836	0-up	9T6085	8.500	7.000	I	2976848-G	218.57
Suspension Front		1303921	0-up	N/A	8.000	7.000	I	3195647	807.53
Suspension Front		1303921	0-up	N/A	8.000	7.000	I	3195647-G	499.43
Suspension Front		2238460	0-up	N/A	8.000	7.000	I	3195647	807.53
Suspension Front		2238460	0-up	N/A	8.000	7.000	I	3195647-G	499.43
Hoist		4T4168	0-up	9J4150	7.000	4.000	I	8T4772	264.11
Hoist		9J4149	0-up	N/A	7.000	4.000	I	8T4772	264.11

All manufacturer's names, part numbers and descriptions are used for reference purposes only. We do not imply that any part shown is the product of these manufacturers.

OFF-HIGHWAY TRUCK

CATERPILLAR

Model	Application	Cylinder Group	Engineering Design Change Level	Cylinder Assembly Part No.	Bore	Rod	I	Ref. Number RCAT-	\$
							M		
771C	Steering	9J1287	0-up	9J1301	3.750	2.375	I	2578422	114.70
	Suspension Rear	1162836	0-up	9T6085	8.500	7.000	I	2976848	434.65
	Suspension	1162836	0-up	9T6085	8.500	7.000	I	2976848-G	218.57
	Suspension Front	7J8286	16-up	N/A	8.000	7.000	I	3195647	807.53
	Suspension Front	7J8286	16-up	N/A	8.000	7.000	I	3195647-G	499.43
	Hoist	4T4168	0-up	9J4150	7.000	4.000	I	8T4772	264.11
	Hoist	9J4149	0-up	N/A	7.000	4.000	I	8T4772	264.11
771D	Steering	1100532	0-up	1100533	3.000	2.000	I	2384462	51.54
	Steering	9J1287	0-up	9J1301	3.750	2.375	I	2578422	114.70
	Suspension Rear	1162836	0-up	9T6085	8.500	7.000	I	2976848	434.65
	Suspension	1162836	0-up	9T6085	8.500	7.000	I	2976848-G	218.57
	Suspension Front	1303921	0-up	N/A	8.000	7.000	I	3195647	807.53
	Suspension Front	1303921	0-up	N/A	8.000	7.000	I	3195647-G	499.43
	Suspension Front	2238460	0-up	N/A	8.000	7.000	I	3195647	807.53
	Suspension Front	2238460	0-up	N/A	8.000	7.000	I	3195647-G	499.43
	Hoist	4T4168	0-up	9J4150	7.000	4.000	I	8T4772	264.11
	Hoist	9J4149	0-up	9J4150	7.000	4.000	I	8T4772	264.11
	772B	Suspension Front	2238460	0-up		8.000	7.000	I	3195647
773	Steering	7J7686	0-up	7J7684	4.000	2.375	I	2418925	65.77
	Suspension Rear	7J3329	1-UP	7J3330	8.500	7.000	I	O/R	O/R
	Suspension Front	8J2322	13-up	N/A	8.000	7.000	I	3195647	807.53
	Suspension Front	7J3480	14-up	N/A	8.000	7.000	I	3195647-G	499.43
	Hoist	7J3446	0-up	N/A	8.250	4.000		773/HOIST	O/R
773B	Steering	7J7686	0-up	7J7684	4.000	2.375	I	2418925	65.77
	Suspension Rear	9T6082	0-up	9T6081	8.500	7.000	I	2976848	434.65
	Suspension Rear	9T6082	0-up	9T6081	8.500	7.000	I	2976848-G	218.57
	Suspension Rear	1162837	0-up	9T6081	8.500	7.000	I	2976848	434.65
	Suspension	1162837	0-up	9T6081	8.500	7.000	I	2976848-G	218.57
	Suspension Front	1163092	0-up	N/A	8.000	7.000	I	1137478	665.93
	Suspension Front	1163092	0-up	N/A	8.000	7.000	I	1137478-G	641.99
	Suspension Front	1U4777	8-up	1007415	8.000	7.000	I	1137478	665.93
	Suspension Front	1U4777	8-up	1007415	8.000	7.000	I	1137478-G	641.99
		Hoist	9J2017	3-up	9J2539	8.250	5.000	I	8T9042
Hoist		9T3122	0-up	9J2539	8.250	5.000	I	8T9042	382.18
773D	Steering	7J7686	0-up	7J7684	4.000	2.375	I	2418925	65.77
	Suspension	1162837	0-up	9T6081	8.500	7.000	I	2976848	434.65
	Suspension	1162837	0-up	9T6081	8.500	7.000	I	2976848-G	218.57
	Suspension Rear	9T6082	0-up	9T6081	8.500	7.000	I	2976848	434.65
	Suspension Rear	9T6082	0-up	9T6081	8.500	7.000	I	2976848-G	218.57
	Suspension Front	1163092	0-up	N/A	8.000	7.000	I	1137478	665.93
	Suspension Front	1163092	0-up	N/A	8.000	7.000	I	1137478-G	641.99
	Suspension Front	1U4777	8-up	1007415	8.000	7.000	I	1137478	665.93
	Suspension Front	1U4777	0-up	N/A	8.000	7.000	I	1137478-G	641.99

All manufacturer's names, part numbers and descriptions are used for reference purposes only. We do not imply that any part shown is the product of these manufacturers.

INDUSTRIAL SEAL KITS

MOBILE SEAL KITS



CATERPILLAR

CATERPILLAR

OFF-HIGHWAY TRUCK

INDUSTRIAL
SEAL KITS

MOBILE
SEAL KITS



CATERPILLAR

Model	Application	Cylinder Group	Engineering Design Change Level	Cylinder Assembly Part No.	Bore	Rod	I	Ref. Number RCAT-	\$
							M		
773E	Suspension Front	2238460	0-up		8.000	7.000	I	3195647	807.53
	Hoist	1455155	0-up	9J2539	8.250	5.000	I	8T9042	382.18
	Hoist	9J2017	3-up	9J2539	8.250	5.000	I	8T9042	382.18
	Hoist	9T3122	0-up	9J2539	8.250	5.000	I	8T9042	382.18
	Suspension Front	2238460	0-up		8.000	7.000	I	3195647	807.53
775	Steering	7J7686	0-up	7J7684	4.000	2.375	I	2418925	65.77
	Suspension Rear	9T6082	0-up	9T6081	8.500	7.000	I	2976848	434.65
	Suspension Rear	9T6082	0-up	9T6081	8.500	7.000	I	2976848-G	218.57
	Suspension Rear	1162837	0-up	9T6081	8.500	7.000	I	2976848	434.65
	Suspension	1162837	0-up	9T6081	8.500	7.000	I	2976848-G	218.57
775D	Suspension Front	1163092	0-up	N/A	8.000	7.000	I	1137478	665.93
	Suspension Front	1163092	0-up	N/A	8.000	7.000	I	1137478-G	641.99
	Suspension Front	1U4777	8-up	1007415	8.000	7.000	I	1137478	665.93
	Suspension Front	1U4777	8-up	1007415	8.000	7.000	I	1137478-G	641.99
	Hoist	9J2017	3-up	9J2539	8.250	5.000	I	8T9042	382.18
	Hoist	9T3122	0-up	9J2539	8.250	5.000	I	8T9042	382.18
	Steering	7J7686	0-up	7J7684	4.000	2.375	I	2418925	65.77
775E	Suspension Rear	1162837	0-up	9T6081	8.500	7.000	I	2976848	434.65
	Suspension	1162837	0-up	9T6081	8.500	7.000	I	2976848-G	218.57
	Suspension Rear	9T6082	0-up	9T6081	8.500	7.000	I	2976848	434.65
	Suspension Rear	9T6082	0-up	9T6081	8.500	7.000	I	2976848-G	218.57
	Suspension Front	1163092	0-up	N/A	8.000	7.000	I	1137478	665.93
776B	Suspension Front	1163092	0-up	N/A	8.000	7.000	I	1137478-G	641.99
	Suspension Front	1U4777	8-up	1007415	8.000	7.000	I	1137478	665.93
	Suspension Front	1U4777	8-up	1007415	8.000	7.000	I	1137478-G	641.99
	Suspension Front	2238460	0-up		8.000	7.000	I	3195647	807.53
	Hoist	1455155	0-up	9J2539	8.250	5.000	I	8T9042	382.18
	Hoist	9J2017	3-up	9J2539	8.250	5.000	I	8T9042	382.18
	Hoist	9T3122	0-up	9J2539	8.250	5.000	I	8T9042	382.18
777E	Suspension Front	2238460	0-up		8.000	7.000	I	3195647	807.53
	Steering	8J9912	1-up	8J9913	4.000	2.375	I	2418925	65.77
778E	Suspension Rear	8J8865	2-up	9J9277	10.500	9.000	I	1137482/PI	755.10
	Suspension Rear	8J8865	2-up	9J9277	10.500	9.000	I	1137482/PI-G	329.72
	Suspension Rear	8J8865	2-up	9J9277	10.500	9.000	I	1137482/PI/SI	755.10
	Suspension Rear	8J8865	2-up	9J9277	10.500	9.000	I	1137482/PI/SI-G	329.72
	Suspension Rear	8J8865	2-up	9J9277	10.500	9.000	I	1137482/SI	755.10
	Suspension Rear	8J8865	2-up	9J9277	10.500	9.000	I	1137482/SI-G	329.72
779E	Suspension Rear	2474883	00-up	2474883	10.500	9.000	I	2976849	627.61
	Suspension Rear	2474883	00-up	2474883	10.500	9.000	I	2976849-G	323.30
	Suspension Front	4T4756	N/A	N/A	10.750	9.000	I	1137463	1511.61
	Suspension Front	4T4756	N/A	N/A	10.750	9.000	I	1137463-G	1097.87
	Hoist	N/A	N/A	N/A	9.500	5.500	I	8T1543	349.13

All manufacturer's names, part numbers and descriptions are used for reference purposes only. We do not imply that any part shown is the product of these manufacturers.

Remsa [KITS]

OFF-HIGHWAY TRUCK

CATERPILLAR

Model	Application	Cylinder Group	Engineering Design Change Level	Cylinder Assembly Part No.	Bore	Rod	I	Ref. Number RCAT-	\$
							M		
776C	Steering	8J9912	1-up	8J9913	4.000	2.375	I	2418925	65.77
	Suspension Rear	8J8865	2-up	9J9277	10.500	9.000	I	1137482/PI	755.10
	Suspension Rear	8J8865	2-up	9J9277	10.500	9.000	I	1137482/PI-G	329.72
	Suspension Rear	8J8865	2-up	9J9277	10.500	9.000	I	1137482/PI/SI	755.10
	Suspension Rear	8J8865	2-up	9J9277	10.500	9.000	I	1137482/PI/SI-G	329.72
	Suspension Rear	8J8865	2-up	9J9277	10.500	9.000	I	1137482/SI	755.10
	Suspension Rear	8J8865	2-up	9J9277	10.500	9.000	I	1137482/SI-G	329.72
	Suspension Rear	2474883	00-up	2474883	10.500	9.000	I	2976849	627.61
	Suspension Rear	2474883	00-up	2474883	10.500	9.000	I	2976849-G	323.30
	Suspension Front	4T4756	N/A	N/A	10.750	9.000	I	1137463	1511.61
	Suspension Front	4T4756	N/A	N/A	10.750	9.000	I	1137463-G	1097.87
	Hoist	N/A	N/A	N/A	9.500	5.500	I	8T1543	349.13
	776D	Steering	8J9912	1-up	8J9913	4.000	2.375	I	2418925
Suspension Rear		8J8865	2-up	9J9277	10.500	9.000	I	1137482/PI	755.10
Suspension Rear		8J8865	2-up	9J9277	10.500	9.000	I	1137482/PI-G	329.72
Suspension Rear		8J8865	2-up	9J9277	10.500	9.000	I	1137482/PI/SI	755.10
Suspension Rear		8J8865	2-up	9J9277	10.500	9.000	I	1137482/PI/SI-G	329.72
Suspension Rear		8J8865	2-up	9J9277	10.500	9.000	I	1137482/SI	755.10
Suspension Rear		8J8865	2-up	9J9277	10.500	9.000	I	1137482/SI-G	329.72
Suspension Rear		2474883	00-up	2474883	10.500	9.000	I	2976849	627.61
Suspension Rear		2474883	00-up	2474883	10.500	9.000	I	2976849-G	323.30
Suspension Front		4T4756	N/A	N/A	10.750	9.000	I	1137463	1511.61
Suspension Front		4T4756	N/A	N/A	10.750	9.000	I	1137463-G	1097.87
Hoist		N/A	N/A	N/A	9.500	5.500	I	8T1543	349.13
777		Steering	8J9912	1-up	8J9913	4.000	2.375	I	2418925
	Suspension Rear	8J8865	2-up	9J9277	10.500	9.000	I	1137482/PI	755.10
	Suspension Rear	8J8865	2-up	9J9277	10.500	9.000	I	1137482/PI-G	329.72
	Suspension Rear	8J8865	2-up	9J9277	10.500	9.000	I	1137482/PI/SI	755.10
	Suspension Rear	8J8865	2-up	9J9277	10.500	9.000	I	1137482/PI/SI-G	329.72
	Suspension Rear	8J8865	2-up	9J9277	10.500	9.000	I	1137482/SI	755.10
	Suspension Rear	8J8865	2-up	9J9277	10.500	9.000	I	1137482/SI-G	329.72
	Suspension Rear	2474883	00-up	2474883	10.500	9.000	I	2976849	627.61
	Suspension Rear	2474883	00-up	2474883	10.500	9.000	I	2976849-G	323.30
	Suspension Front	9T8813	N/A	N/A	10.750	9.000	I	1137463	1511.61
	Suspension Front	9T8813	N/A	N/A	10.750	9.000	I	1137463-G	1097.87
	Hoist	8J8924	2-up	8J9431	9.500	5.500	I	8T1543	349.13
	777B	Steering	8J9912	1-up	8J9913	4.000	2.375	I	2418925
Suspension Rear		8J8865	2-up	9J9277	10.500	9.000	I	1137482/PI	755.10
Suspension Rear		8J8865	2-up	9J9277	10.500	9.000	I	1137482/PI-G	329.72
Suspension Rear		8J8865	2-up	9J9277	10.500	9.000	I	1137482/PI/SI	755.10
Suspension Rear		8J8865	2-up	9J9277	10.500	9.000	I	1137482/PI/SI-G	329.72
Suspension Rear		8J8865	2-up	9J9277	10.500	9.000	I	1137482/SI	755.10
Suspension Rear		8J8865	2-up	9J9277	10.500	9.000	I	1137482/SI-G	329.72
Suspension Rear		2474883	00-up	2474883	10.500	9.000	I	2976849	627.61
Suspension Rear		2474883	00-up	2474883	10.500	9.000	I	2976849-G	323.30
Suspension Rear		2474883	00-up	2474883	10.500	9.000	I	2976849-G	323.30

All manufacturer's names, part numbers and descriptions are used for reference purposes only. We do not imply that any part shown is the product of these manufacturers.

INDUSTRIAL SEAL KITS

MOBILE SEAL KITS



CATERPILLAR

KITS 180

CATERPILLAR

OFF-HIGHWAY TRUCK

INDUSTRIAL
SEAL KITS

MOBILE
SEAL KITS



CATERPILLAR

Model	Application	Cylinder Group	Engineering Design Change Level	Cylinder Assembly Part No.	Bore	Rod	I	Ref. Number RCAT-	\$
							M		
777C	Suspension Front	9T8813	N/A	N/A	10.750	9.000	I	1137463	1511.61
	Suspension Front	9T8813	N/A	N/A	10.750	9.000	I	1137463-G	1097.87
	Hoist	8J8924	2-up	8J9431	9.500	5.500	I	8T1543	349.13
	Steering	8J9912	1-up	8J9913	4.000	2.375	I	2418925	65.77
	Suspension Rear	8J8865	2-up	9J9277	10.500	9.000	I	1137482/PI	755.10
	Suspension Rear	8J8865	2-up	9J9277	10.500	9.000	I	1137482/PI-G	329.72
	Suspension Rear	8J8865	2-up	9J9277	10.500	9.000	I	1137482/PI/SI	755.10
	Suspension Rear	8J8865	2-up	9J9277	10.500	9.000	I	1137482/PI/SI-G	329.72
	Suspension Rear	8J8865	2-up	9J9277	10.500	9.000	I	1137482/SI	755.10
	Suspension Rear	8J8865	2-up	9J9277	10.500	9.000	I	1137482/SI-G	329.72
777D	Suspension Rear	2474883	00-up	2474883	10.500	9.000	I	2976849	627.61
	Suspension Rear	2474883	00-up	2474883	10.500	9.000	I	2976849-G	323.30
	Suspension Front	9T8813	N/A	N/A	10.750	9.000	I	1137463	1511.61
	Suspension Front	9T8813	N/A	N/A	10.750	9.000	I	1137463-G	1097.87
	Hoist	8J8924	2-up	8J9431	9.500	5.500	I	8T1543	349.13
	Steering	8J9912	1-up	8J9913	4.000	2.375	I	2418925	65.77
	Suspension Rear	8J8865	2-up	9J9277	10.500	9.000	I	1137482/PI	755.10
	Suspension Rear	8J8865	2-up	9J9277	10.500	9.000	I	1137482/PI-G	329.72
	Suspension Rear	8J8865	2-up	9J9277	10.500	9.000	I	1137482/PI/SI	755.10
	Suspension Rear	8J8865	2-up	9J9277	10.500	9.000	I	1137482/PI/SI-G	329.72
785, 785B, 785C	Suspension Rear	2474883	00-up	2474883	10.500	9.000	I	2976849	627.61
	Suspension Rear	2474883	00-up	2474883	10.500	9.000	I	2976849-G	323.30
	Suspension Front	9T8813	N/A	N/A	10.750	9.000	I	1137463	1511.61
	Suspension Front	9T8813	N/A	N/A	10.750	9.000	I	1137463-G	1097.87
	Hoist	8J8924	2-up	8J9431	9.500	5.500	I	8T1543	349.13
	Steering	1U3182	1-2	1U3181	5.000	2.500	I	2430386	157.63
	Steering	1U3182	3	1U3181	5.000	2.500	I	2422542	160.90
	Steering	1U3182	4-up	1U3181	5.000	2.500	I	2430384	153.34
	Suspension Rear	1072860	0-up	1072859	12.500	11.000	I	3367369	856.96
	Suspension Rear	1072860	0-up	1072859	12.500	11.000	I	3367369-G	406.20
	Suspension Rear	1U4651	16-up	1U3924	12.500	11.000	I	3406080	884.34
	Suspension Rear	1U4651	16-up	1U3924	12.500	11.000	I	3406080-G	442.08
	Suspension Rear	1U4651	1-up	1U3924	12.500	11.000	I	3406080	884.34
	Suspension Rear	1U4651	1-up	1U3924	12.500	11.000	I	3406080-G	442.08
	Suspension Front	1U4605	18-up	N/A	13.125	11.000	I	3408491	1711.87
	Suspension Front	1U4605	18-up	N/A	13.125	11.000	I	3408491-G	1482.01
	Suspension Front	1U4605	04-17	N/A	13.125	11.000	I	3367368	1711.87
	Suspension Front	1U4605	04-17	N/A	13.125	11.000	I	3367368-G	1482.01
	Hoist	4T5931	0-up	4T5932	11.500	7.250	I	8T4939	649.25

All manufacturer's names, part numbers and descriptions are used for reference purposes only. We do not imply that any part shown is the product of these manufacturers.

OFF-HIGHWAY TRUCK

CATERPILLAR

Model	Application	Cylinder Group	Engineering Design Change Level	Cylinder Assembly Part No.	Bore	Rod	I	Ref. Number RCAT-	\$
							M		
789, 789B, 789C	Steering	4T6797	1	4T6800	6.000	2.750	I	2440955	109.79
	Steering	4T6797	2-up	4T6800	6.000	2.750	I	2440953	179.73
	Suspension Rear	4T4844	0-up	N/A	14.250	12.500	I	1137480/PI	1104.13
	Suspension Rear	1061801	0-up	1061804	14.250	12.500	I	1137480/PI	1104.13
	Suspension Rear	4T4844	0-up	N/A	14.250	12.500	I	1137480/SI	1095.18
	Suspension Rear	1061801	0-up	1061804	14.250	12.500	I	1137480/SI	1095.18
	Suspension Rear	4T4844	0-up	N/A	14.250	12.500	I	1137480/PI-G	501.04
	Suspension Rear	1061801	0-up	1061804	14.250	12.500	I	1137480/PI-G	501.04
	Suspension Rear	4T4844	0-up	N/A	14.250	12.500	I	1137480/SI-G	609.78
	Suspension Rear	1061801	0-up	1061804	14.250	12.500	I	1137480/SI-G	609.78
	Suspension Rear	4T4844	0-up	N/A	14.250	12.500	I	1137480/PI/SI	1342.11
	Suspension Rear	1061801	0-up	1061804	14.250	12.500	I	1137480/PI/SI	1342.11
793, 793B, 793C	Suspension Rear	4T4844	0-up	N/A	14.250	12.500	I	1137480/PI/SI-G	713.81
	Suspension Rear	1061801	0-up	1061804	14.250	12.500	I	1137480/PI/SI-G	713.81
	Suspension Front	4T5182	12-up	N/A	15.125	12.500	I	3385840	2114.94
	Suspension Front	4T5182	12-up	N/A	15.125	12.500	I	3385840-G	1602.97
	Suspension Front	4T5182	04-11	N/A	15.125	12.500	I	3367341	2114.94
	Suspension Front	4T5182	04-11	N/A	15.125	12.500	I	3367341-G	1602.97
	Suspension Front	3367345	00-up	N/A	15.125	12.500	I	3367345	2115.87
	Suspension Front	3367345	00-up	N/A	15.125	12.500	I	3367345-G	1602.97
	Hoist	9T2807	0-up	4T6063	12.250	7.250	I	8C5788	887.51
	Steering	9T8912	0-up	6E0618	5.500	2.750	I	2601518	116.91
	Suspension Rear	6E1101	0-up	4T4776	14.250	12.500	I	1137480/PI	1104.13
	Suspension Rear	6E1101	0-up	4T4776	14.250	12.500	I	1137480/SI	1095.18
Suspension Rear	6E1101	0-up	4T4776	14.250	12.500	I	1137480/PI-G	501.04	
Suspension Rear	6E1101	0-up	4T4776	14.250	12.500	I	1137480/SI-G	609.78	
Suspension Rear	6E1101	0-up	4T4776	14.250	12.500	I	1137480/PI/SI	1342.11	
Suspension Rear	6E1101	0-up	4T4776	14.250	12.500	I	1137480/PI/SI-G	713.81	
Suspension Rear	2299590	0-up	4T4776	14.250	12.500	I	1137480/PI-RWR	1848.84	
Suspension Rear	1063722	0-up	4T4776	14.250	12.500	I	1137480/PI-RWR	1848.84	
Suspension Rear	2299590	0-up	4T4776	14.250	12.500	I	1137480/SI-RWR	1839.17	
Suspension Rear	1063722	0-up	4T4776	14.250	12.500	I	1137480/SI-RWR	1839.17	
Suspension Rear	2299590	0-up	4T4776	14.250	12.500	I	1137480/PI-G/RWR	1229.34	
Suspension Rear	1063722	0-up	4T4776	14.250	12.500	I	1137480/PI-G/RWR	1229.34	
Suspension Rear	2299590	0-up	4T4776	14.250	12.500	I	1137480/SI-G/RWR	1217.88	
Suspension Rear	1063722	0-up	4T4776	14.250	12.500	I	1137480/SI-G/RWR	1217.88	
Suspension Rear	2299590	0-up	4T4776	14.250	12.500	I	1137480/PI/SI-RWR	1937.50	
Suspension Rear	1063722	0-up	4T4776	14.250	12.500	I	1137480/PI/SI-RWR	1937.50	
Suspension Rear	2299590	0-up	4T4776	14.250	12.500	I	1137480/PI/SI-G/RWR	1309.93	
Suspension Rear	1063722	0-up	4T4776	14.250	12.500	I	1137480/PI/SI-G/RWR	1309.93	
Suspension Front	9T8910	5-up	N/A	16.125	13.500	I	3367342	2887.09	
Suspension Front	9T8910	5-up	N/A	16.125	13.500	I	3367342-G	1914.73	
Suspension Front	9T8910	0-up	N/A	16.125	13.500	I	1137472/PI	3751.71	
Suspension Front	2299604	N/A	N/A	16.125	13.500	I	1137472/PI	3751.71	
Suspension Front	9T8910	0-up	N/A	16.125	13.500	I	1137472/SI	3682.93	
Suspension Front	2299604	N/A	N/A	16.125	13.500	I	1137472/SI	3682.93	
Suspension Front	9T8910	0-up	N/A	16.125	13.500	I	1137472/PI-G	2874.90	

INDUSTRIAL SEAL KITS

MOBILE SEAL KITS



CATERPILLAR

CATERPILLAR

OFF-HIGHWAY TRUCK

Model	Application	Cylinder Group	Engineering Design Change Level	Cylinder Assembly Part No.	Bore	Rod	I	Ref. Number RCAT-	\$
							M		
797	Suspension Front	2299604	N/A	N/A	16.125	13.500	I	1137472/PI-G	2874.90
	Suspension Front	9T8910	0-up	N/A	16.125	13.500	I	1137472/SI-G	2823.32
	Suspension Front	2299604	N/A	N/A	16.125	13.500	I	1137472/SI-G	2823.32
	Suspension Front	9T8910	0-up	N/A	16.125	13.500	I	1137472/PI/SI	3802.56
	Suspension Front	2299604	N/A	N/A	16.125	13.500	I	1137472/PI/SI	3802.56
	Suspension Front	9T8910	0-up	N/A	16.125	13.500	I	1137472/PI/SI-G	2932.57
	Suspension Front	2299604	N/A	N/A	16.125	13.500	I	1137472/PI/SI-G	2932.57
	Hoist	9T8911	0-up	6E0048	13.750	8.750	I	1125343	724.31
	Hoist	1212071	N/A	N/A	12.750	7.750	I	1531282	574.93
	Steering	1523601	0-up	1537533	6.250	3.250	I	2450620	217.68
Suspension Rear		N/A	N/A				O/R	O/R	
797B	Suspension Front	1489775	0-up	N/A	18.375	15.750	I	3367367	O/R
	Suspension Front	1918042	0-up	N/A	18.375	15.750	I	3367367	O/R
	Hoist	1503008	N/A	N/A	14.750	9.750	I	O/R	O/R
	Hoist	1960149	N/A	N/A	14.750	9.750	I	O/R	O/R
	Steering	1946171	0-UP	N/A	7.000	3.500	I	2350974	203.81
	Suspension Rear		N/A	N/A			I	O/R	O/R
	Suspension Front	1918042	0-UP	N/A	18.375	15.750	I	3367367	O/R
	Hoist	2199784	N/A	N/A	14.750	9.750	I	O/R	O/R

INDUSTRIAL
SEAL KITS

MOBILE
SEAL KITS



CATERPILLAR

Remsa [KITS]

PIPELAYER

CATERPILLAR

Model	Application	Cylinder Group	Engineering Design Change Level	Cylinder Assembly Part No.	Bore	Rod	I	Ref. Number RCAT-	\$
							M		
561B	Counterweight LH	3G3504	0-up	3G3502	5.000	2.000	I	2386718	71.07
	Counterweight RH	3G3505	0-up	3G3503	5.000	2.000	I	2386718	71.07
561C	Counterweight LH	3G3504	0-up	3G3502	5.000	2.000	I	2386718	71.07
	Counterweight RH	3G3505	0-up	3G3503	5.000	2.000	I	2386718	71.07
561D	Counterweight LH	3G3504	0-up	3G3502	5.000	2.000	I	2386718	71.07
	Counterweight RH	3G3505	0-up	3G3503	5.000	2.000	I	2386718	71.07
572E	Counterweight	1M1580	8-up	1M1566	4.000	2.000	I	2408513	103.38
	Counterweight	1M1580	0-7	1M1566	4.000	2.000	I	2408513	103.38
572F	Counterweight	1M1580	0-up	1M1566	4.000	2.000	I	2408513	103.38
580	Steering	1572661	0-up		-	-	I	1622162	46.99
	Steering	1572780	0-up		-	-	I	1622163	42.37
583H	Counterweight	1M1580	0-7	1M1566	4.000	2.000	I	2408513	103.38
583K	Counterweight	1M1580	8-up	1M1566	4.000	2.000	I	2408513	103.38
583R	Counterweight	1333850	0-2	1333851	4.000	2.125	I	2465929	103.00
	Counterweight	1333850	3-up	1333851	4.000	2.125	I	2465933	151.66
594, 594H	Lift	6J0416	0-up	6J0415	5.000	2.000	I	2384487	136.20

All manufacturer's names, part numbers and descriptions are used for reference purposes only. We do not imply that any part shown is the product of these manufacturers.

INDUSTRIAL SEAL KITS

MOBILE SEAL KITS



CATERPILLAR

CATERPILLAR


PNEUMATIC TIRED COMPACTOR

INDUSTRIAL
SEAL KITS

MOBILE
SEAL KITS



CATERPILLAR

Model	Application	Cylinder Group	Engineering Design Change Level	Cylinder Assembly Part No.	Bore	Rod	I	Ref. Number RCAT-	\$
							M		
PF300	N/A	5E5224	0-up		-	-	I	5E5629	126.92
	N/A	7R2633	0-up		-	-	I	0814690	0/R
PS300	N/A	5E5224	0-up		-	-	I	5E5629	126.92
	N/A	7R2633	0-up		-	-	I	0814690	0/R
	Suspension Lift	0815316	0-up		-	-	I	0814687	0/R
PS500	N/A	0827253	0-up		-	-	I	0814687	0/R
	N/A	7R2633	0-up		-	-	I	0814690	0/R
 ROAD RECLAMER/SOIL STABILIZER									
RM350	Lift - Hood/Rotor	1097815	0-up		4.000	2.000	I	1G6231	166.11
RR250	N/A	0871282	0-up		3.000	1.500	I	1G6745	125.19
	N/A	1219825	0-up		3.000	-	I	0983341	0/R
RR250B	N/A	0871282	0-up		3.000	1.500	I	1G6745	125.19
SM350	Lift - Hood/Rotor	1097815	0-up		4.000	2.000	I	1G6231	166.11
SS250	N/A	0871282	0-up		3.000	1.500	I	1G6745	125.19
	N/A	1219825	0-up		3.000	-	I	0983341	0/R
SS250B	N/A	0871282	0-up		3.000	1.500	I	1G6745	125.19

All manufacturer's names, part numbers and descriptions are used for reference purposes only. We do not imply that any part shown is the product of these manufacturers.

SCRAPER

CATERPILLAR

Model	Application	Cylinder Group	Engineering Design Change Level	Cylinder Assembly Part No.	Bore	Rod	I	Ref. Number RCAT-	\$
							M		
611	Bowl	3G5679	2-3	3G5678	5.000	2.250	I	2410895	130.11
	Bowl	3G5679	4-up	3G5678	5.000	2.250	I	2949581	170.81
	Load	3G7274	0-2	3G7275	4.750	2.250	I	2410902	77.51
	Load	3G7274	3-up	3G7275	4.750	2.250	I	2417580	118.35
	Steering	6E3566	0-up	6E3567	4.500	2.250	I	2417585	115.93
613	Bowl	7J6058	0-5	7J6061	4.000	2.000	I	2378277	109.50
	Floor	7J5528	0-3	7J5527	5.000	2.500	I	2422553	99.57
	Floor	7J5528	4-up	7J5527	5.000	2.500	I	1864389	99.57
	Steering	7J6054	0-3	7J6053	4.000	2.000	I	2378277	109.50
613B	Bowl	7J6058	0-5	7J6061	4.000	2.000	I	2378277	109.50
	Floor	7J5528	0-3	7J5527	5.000	2.500	I	2422553	99.57
	Floor	7J5528	4-up	7J5527	5.000	2.500	I	1864389	99.57
	Steering	7J6054	0-3	7J6053	4.000	2.000	I	2378277	109.50
613C	Steering	1U2291	2-4	1U2290	4.000	2.000	I	2406899	42.77
	Steering	1U2291	5-up	1U2290	4.000	2.000	I	2339205	48.11
	Steering	6E2968	0-up	6E2967	3.500	2.000	I	2281778	82.52
	Steering	9T7900	0-up	9T8151	4.000	2.000	I	2339205	48.11
613SC	Bowl	1U3124	2-4	1U3125	4.000	2.000	I	2406899	42.77
	Bowl	1U3124	5-up	1U3125	4.000	2.000	I	2339205	48.11
	Bowl	3G5679	2-3	3G5678	5.000	2.250	I	2410895	130.11
	Bowl	3G5679	4-up	3G5678	5.000	2.250	I	2949581	170.81
	Bowl	7J6058	0-5	7J6061	4.000	2.000	I	2378277	109.50
	Bowl	9T8252	0-up	9T8253	4.000	2.000	I	2339205	48.11
	Ejector	1U2012	0-4	1U2013	3.500	2.250	I	2410903	72.30
	Ejector	1U2012	5-up	1U2013	3.500	2.250	I	2418916	137.45
	Ejector	9T8039	0-up	9T8168	3.500	2.250	I	2350355	109.79
	Floor	1U2157	3-5	1U2155	5.000	2.500	I	2430386	157.63
	Floor	1U2157	6-up	1U2155	5.000	2.500	I	2430387	142.57
	Floor	7J5528	0-3	7J5527	5.000	2.500	I	2422553	99.57
615	Floor	7J5528	4-up	7J5527	5.000	2.500	I	1864389	99.57
	Steering	7J6054	0-3	7J6053	4.000	2.000	I	2378277	109.50
	Bowl	3G5679	2-3	3G5678	5.000	2.250	I	2410895	130.11
	Bowl	3G5679	4-up	3G5678	5.000	2.250	I	2949581	170.81
	Door	3G3883	0-6	3G3882	5.500	2.750	I	2285275	149.22
	Door	3G3883	7-up	3G3882	5.500	2.750	I	2285274	158.75
	Ejector	3G3892	0-5	3G3891	4.250	2.500	I	2422546	122.86
	Ejector	3G3892	6-up	3G3891	4.250	2.500	I	2430393	121.56
	Load	3G7274	0-2	3G7275	4.750	2.250	I	2410902	77.51
	Load	3G7274	3-up	3G7275	4.750	2.250	I	2417580	118.35
	Steering	5J1326	0-up	5J2388	5.000	2.250	I	2410895	130.11

All manufacturer's names, part numbers and descriptions are used for reference purposes only. We do not imply that any part shown is the product of these manufacturers.

INDUSTRIAL SEAL KITS

MOBILE SEAL KITS



CATERPILLAR

CATERPILLAR

SCRAPER

Model	Application	Cylinder Group	Engineering Design Change Level	Cylinder Assembly Part No.	Bore	Rod	I	Ref. Number RCAT-	\$
							M		
615C	Load	3G7274	0-2	3G7275	4.750	2.250	I	2410902	77.51
	Load	3G7274	3-up	3G7275	4.750	2.250	I	2417580	118.35
	Steering	5J1326	0-up	5J2388	5.000	2.250	I	2410895	130.11
	Steering	6E3566	0-up	6E3567	4.500	2.250	I	2417585	115.93
615SC	Bowl	3G5679	2-3	3G5678	5.000	2.250	I	2410895	130.11
	Bowl	3G5679	4-up	3G5678	5.000	2.250	I	2949581	170.81
	Door	3G3883	0-6	3G3882	5.500	2.750	I	2285275	149.22
	Door	3G3883	7-up	3G3882	5.500	2.750	I	2285274	158.75
	Ejector	3G3892	0-5	3G3891	4.250	2.500	I	2422546	122.86
	Ejector	3G3892	6-up	3G3891	4.250	2.500	I	2430393	121.56
	Ejector	3G4533	6-up	3G3891	4.250	2.500	I	2440980	142.02
621	Steering	5J1326	0-up	5J2388	5.000	2.250	I	2410895	130.11
	Apron	5J0778	0-5	5J0777	7.250	2.750	I	2440957	183.99
	Apron	5J0778	6-up	5J0777	7.250	2.750	I	2440954	208.01
	Bowl LH	5J2450	0-4	5J0974	6.000	2.500	I	2422556	159.43
	Bowl LH	5J2450	9-up	5J0974	6.000	2.500	I	2422545	137.26
	Bowl RH	5J2449	0-4	5J0974	6.000	2.500	I	2422556	159.43
	Bowl RH	5J2449	9-up	5J0974	6.000	2.500	I	2422545	137.26
	Ejector	6J9689	0-7	6J9688	6.500	4.000	I	2460643	303.78
	Ejector	6J9689	8-up	6J9688	6.500	4.000	I	2460641	188.89
	Load	8J0204	0-up	8J0199	5.500	2.500	I	2430381	74.84
	Steering	3G6904	0-up		1.500	0.750	I	8T1387	51.29
	Steering	5J1326	0-up	5J2388	5.000	2.250	I	2410895	130.11
	621B	Load	8J9446	0-2	8J9447	5.500	2.500	I	2430381
Load		8J9446	3-up	8J9447	5.500	2.500	I	2422539	130.19
Steering		3G5192	0-1	3G5191	5.000	2.500	I	2430386	157.63
Steering		3G5192	2-3	3G5191	5.000	2.500	I	2422542	160.90
Steering		3G5192	4-up	3G5191	5.000	2.500	I	2430384	153.34
Steering		3G6904	0-up		1.500	0.750	I	8T1387	51.29
Steering		8J7376	0-up	8J7372	5.000	2.500	I	2430386	157.63
Steering		5J1326	0-up	5J2388	5.000	2.250	I	2410895	130.11
621E	Load	1083592	1-up	8J9447	5.500	2.500	I	2422539	130.19
	Load	9T1803	0	8J9447	5.500	2.500	I	2430381	74.84
621F	Load	9T1803	1-up	8J9447	5.500	2.500	I	2422539	130.19
	Load	9T8935	0-up	8J9447	5.500	2.500	I	9X6027	123.81
	Steering	4T9364	0-up		1.500	0.750	I	8T4771	64.55
	Steering	5J1326	0-up	5J2388	5.000	2.250	I	2410895	130.11
621F	Load	1083592	1-up	8J9447	5.500	2.500	I	2422539	130.19
	Steering	3G5192	0-1	3G5191	5.000	2.500	I	2430386	157.63
	Steering	3G5192	2-3	3G5191	5.000	2.500	I	2422542	160.90
	Steering	3G5192	4-up	3G5191	5.000	2.500	I	2430384	153.34
	Steering	5J1326	0-up	5J2388	5.000	2.250	I	2410895	130.11

All manufacturer's names, part numbers and descriptions are used for reference purposes only. We do not imply that any part shown is the product of these manufacturers.

INDUSTRIAL
SEAL KITS

MOBILE
SEAL KITS



CATERPILLAR

SCRAPER

CATERPILLAR

Model	Application	Cylinder Group	Engineering Design Change Level	Cylinder Assembly Part No.	Bore	Rod	I	Ref. Number RCAT-	\$	
							M			
621G	Load	1083592	1-up	8J9447	5.500	2.500	I	2422539	130.19	
621R	Steering	3G5192	0-1	3G5191	5.000	2.500	I	2430386	157.63	
	Steering	3G5192	2-3	3G5191	5.000	2.500	I	2422542	160.90	
	Steering	3G5192	4-up	3G5191	5.000	2.500	I	2430384	153.34	
	Steering	3G6904	0-up		1.500	0.750	I	8T1387	51.29	
621S	Apron	5J0778	0-5	5J0777	7.250	2.750	I	2440957	183.99	
	Apron	5J0778	6-up	5J0777	7.250	2.750	I	2440954	208.01	
	Apron	6E3690	0-up	6E3691	7.250	2.750	I	2440954	208.01	
	Bowl LH	5J2450	0-4	5J0974	6.000	2.500	I	2422556	159.43	
	Bowl LH	5J2450	9-up	5J0974	6.000	2.500	I	2422545	137.26	
	Bowl RH	5J2449	0-4	5J0974	6.000	2.500	I	2422556	159.43	
	Bowl RH	5J2449	9-up	5J0974	6.000	2.500	I	2422545	137.26	
	Ejector	1U0408	0-3	6J9688	6.500	4.000	I	2460643	303.78	
	Ejector	1U0408	4-up	4T0335	6.500	4.000	I	2460641	188.89	
	Steering	3G5192	0-1	3G5191	5.000	2.500	I	2430386	157.63	
	Steering	3G5192	2-3	3G5191	5.000	2.500	I	2422542	160.90	
	Steering	3G5192	4-up	3G5191	5.000	2.500	I	2430384	153.34	
	Steering	4T9364	0-up		1.500	0.750	I	8T4771	64.55	
	621SC	Apron	5J0778	0-5	5J0777	7.250	2.750	I	2440957	183.99
		Apron	5J0778	6-up	5J0777	7.250	2.750	I	2440954	208.01
Apron		6E3690	0-up	6E3691	7.250	2.750	I	2440954	208.01	
	Bowl LH	5J2450	0-4	5J0974	6.000	2.500	I	2422556	159.43	
	Bowl LH	5J2450	9-up	5J0974	6.000	2.500	I	2422545	137.26	
	Bowl RH	5J2449	0-4	5J0974	6.000	2.500	I	2422556	159.43	
	Bowl RH	5J2449	9-up	5J0974	6.000	2.500	I	2422545	137.26	
	Ejector	1U0408	0-3	6J9688	6.500	4.000	I	2460643	303.78	
	Ejector	1U0408	4-up	4T0335	6.500	4.000	I	2460641	188.89	
	Ejector	6J9689	0-7	6J9688	6.500	4.000	I	2460643	303.78	
	Ejector	6J9689	8-up	6J9688	6.500	4.000	I	2460641	188.89	
	Ejector	9T4885	0-2	4T0335	6.500	4.000	I	2460643	303.78	
	Ejector	9T4885	3-up	4T0335	6.500	4.000	I	2460641	188.89	
	Load	8J0204	0-up	8J0199	5.500	2.500	I	2430381	74.84	
	Steering	3G5192	0-1	3G5191	5.000	2.500	I	2430386	157.63	
	Steering	3G5192	2-3	3G5191	5.000	2.500	I	2422542	160.90	
	Steering	3G5192	4-up	3G5191	5.000	2.500	I	2430384	153.34	
	Steering	3G6904	0-up		1.500	0.750	I	8T1387	51.29	
	Steering	4T9364	0-up		1.500	0.750	I	8T4771	64.55	
	Steering	5J1326	0-up	5J2388	5.000	2.250	I	2410895	130.11	
	623	Ejector	8J5478	0	8J5475	5.000	2.500	I	2430386	157.63
		Ejector	8J5478	1	8J5475	5.000	2.500	I	2422542	160.90
		Ejector	8J5478	2-up	8J5475	5.000	2.500	I	2430384	153.34
Floor		8J1821	2-up	8J1820	6.000	3.000	I	2442062	192.16	
Lift		8J1876	5-up	8J1869	6.000	2.500	I	2422545	137.26	
Load		8J0204	0-up	8J0199	5.500	2.500	I	2430381	74.84	

All manufacturer's names, part numbers and descriptions are used for reference purposes only. We do not imply that any part shown is the product of these manufacturers.

INDUSTRIAL SEAL KITS

MOBILE SEAL KITS



CATERPILLAR

CATERPILLAR

SCRAPER

Model	Application	Cylinder Group	Engineering Design Change Level	Cylinder Assembly Part No.	Bore	Rod	I	Ref. Number RCAT-	\$
							M		
623B	Steering	3G6904	0-up		1.500	0.750	I	8T1387	51.29
	Steering	5J1326	0-up	5J2388	5.000	2.250	I	2410895	130.11
	Load	8J9446	0-2	8J9447	5.500	2.500	I	2430381	74.84
	Load	8J9446	3-up	8J9447	5.500	2.500	I	2422539	130.19
	Steering	3G5192	0-1	3G5191	5.000	2.500	I	2430386	157.63
	Steering	3G5192	2-3	3G5191	5.000	2.500	I	2422542	160.90
	Steering	3G5192	4-up	3G5191	5.000	2.500	I	2430384	153.34
623E	Steering	3G6904	0-up		1.500	0.750	I	8T1387	51.29
	Steering	8J7376	0-up	8J7372	5.000	2.500	I	2430386	157.63
	Load	1083592	1-up	8J9447	5.500	2.500	I	2422539	130.19
	Load	9T1803	0	8J9447	5.500	2.500	I	2430381	74.84
	Load	9T1803	1-up	8J9447	5.500	2.500	I	2422539	130.19
	Load	9T8935	0-up	8J9447	5.500	2.500	I	9X6027	123.81
	Steering	4T9364	0-up		1.500	0.750	I	8T4771	64.55
623F	Load	1083592	1-up	8J9447	5.500	2.500	I	2422539	130.19
623SC	Ejector	8J5478	0	8J5475	5.000	2.500	I	2430386	157.63
	Ejector	8J5478	1	8J5475	5.000	2.500	I	2422542	160.90
	Ejector	8J5478	2-up	8J5475	5.000	2.500	I	2430384	153.34
	Floor	8J1821	2-up	8J1820	6.000	3.000	I	2442062	192.16
	Lift	8J1876	5-up	8J1869	6.000	2.500	I	2422545	137.26
623SCG	Load	8J0204	0-up	8J0199	5.500	2.500	I	2430381	74.84
	Steering	3G5192	0-1	3G5191	5.000	2.500	I	2430386	157.63
	Steering	3G5192	2-3	3G5191	5.000	2.500	I	2422542	160.90
	Steering	3G5192	4-up	3G5191	5.000	2.500	I	2430384	153.34
	Steering	3G6904	0-up		1.500	0.750	I	8T1387	51.29
	Steering	5J1326	0-up	5J2388	5.000	2.250	I	2410895	130.11
	Ejector	8J5478	0	8J5475	5.000	2.500	I	2430386	157.63
627	Ejector	8J5478	1	8J5475	5.000	2.500	I	2422542	160.90
	Ejector	8J5478	2-up	8J5475	5.000	2.500	I	2430384	153.34
	Lift	8J1876	5-up	8J1869	6.000	2.500	I	2422545	137.26
	Steering	3G5192	0-1	3G5191	5.000	2.500	I	2430386	157.63
	Steering	3G5192	2-3	3G5191	5.000	2.500	I	2422542	160.90
627	Steering	3G5192	4-up	3G5191	5.000	2.500	I	2430384	153.34
	Apron	5J0778	0-5	5J0777	7.250	2.750	I	2440957	183.99
	Apron	5J0778	6-up	5J0777	7.250	2.750	I	2440954	208.01
	Bail	7J2377	0-up	4J4848	3.500	2.000	I	2408515	97.23
	Bail	8J6064	0-up	8J6062	3.500	2.000	I	2408515	97.23
	Bowl LH	5J2450	0-4	5J0974	6.000	2.500	I	2422556	159.43
	Bowl LH	5J2450	9-up	5J0974	6.000	2.500	I	2422545	137.26
	Bowl RH	5J2449	0-4	5J0974	6.000	2.500	I	2422556	159.43
	Bowl RH	5J2449	9-up	5J0974	6.000	2.500	I	2422545	137.26
	Ejector	1U0408	0-3	6J9688	6.500	4.000	I	2460643	303.78

All manufacturer's names, part numbers and descriptions are used for reference purposes only. We do not imply that any part shown is the product of these manufacturers.



Remsa [KITS]

SCRAPER

CATERPILLAR

Model	Application	Cylinder Group	Engineering Design Change Level	Cylinder Assembly Part No.	Bore	Rod	I	Ref. Number RCAT-	\$
							M		
627B	Ejector	1U0408	4-up	4T0335	6.500	4.000	I	2460641	188.89
	Load	8J0204	0-up	8J0199	5.500	2.500	I	2430381	74.84
	Steering	3G6904	0-up		1.500	0.750	I	8T1387	51.29
	Steering	5J1326	0-up	5J2388	5.000	2.250	I	2410895	130.11
	Bail	8J8458	0-up	8J8457	3.500	1.500	I	2465914	76.45
	Load	8J9446	0-2	8J9447	5.500	2.500	I	2430381	74.84
	Load	8J9446	3-up	8J9447	5.500	2.500	I	2422539	130.19
	Steering	3G5192	0-1	3G5191	5.000	2.500	I	2430386	157.63
	Steering	3G5192	2-3	3G5191	5.000	2.500	I	2422542	160.90
	Steering	3G5192	4-up	3G5191	5.000	2.500	I	2430384	153.34
627E	Steering	3G6904	0-up		1.500	0.750	I	8T1387	51.29
	Steering	8J7376	0-up	8J7372	5.000	2.500	I	2430386	157.63
	Bail	4T5638	0-up	4T5639	3.000	1.750	I	2402016	70.99
	Load	1083592	1-up	8J9447	5.500	2.500	I	2422539	130.19
	Load	9T1803	0	8J9451	5.500	2.500	I	2430381	74.84
	Load	9T1803	1-up	8J9447	5.500	2.500	I	2422539	130.19
	Load	9T8935	0-up	8J9447	5.500	2.500	I	9X6027	123.81
	Steering	4T9364	0-up		1.500	0.750	I	8T4771	64.55
	Bail	6E0801	0-up	6E0802	3.000	1.750	I	2275350	24.93
	Load	1083592	1-up	8J9447	5.500	2.500	I	2422539	130.19
627SC	Apron	5J0778	0-5	5J0777	7.250	2.750	I	2440957	183.99
	Apron	5J0778	6-up	5J0777	7.250	2.750	I	2440954	208.01
	Apron	6E3690	0-up	6E3691	7.250	2.750	I	2440954	208.01
	Bail	7J2377	0-up	4J4848	3.500	2.000	I	2408515	97.23
	Bail	8J6064	0-up	8J6062	3.500	2.000	I	2408515	97.23
	Bowl LH	5J2450	0-4	5J0974	6.000	2.500	I	2422556	159.43
	Bowl LH	5J2450	9-up	5J0974	6.000	2.500	I	2422545	137.26
	Bowl RH	5J2449	0-4	5J0974	6.000	2.500	I	2422556	159.43
	Bowl RH	5J2449	9-up	5J0974	6.000	2.500	I	2422545	137.26
	Ejector	1U0408	0-3	6J9688	6.500	4.000	I	2460643	303.78
630B	Ejector	1U0408	4-up	4T0335	6.500	4.000	I	2460641	188.89
	Ejector	9T4885	0-2	4T0335	6.500	4.000	I	2460643	303.78
	Ejector	9T4885	3-up	4T0335	6.500	4.000	I	2460641	188.89
	Load	8J0204	0-up	8J0199	5.500	2.500	I	2430381	74.84
	Steering	3G5192	0-1	3G5191	5.000	2.500	I	2430386	157.63
	Steering	3G5192	2-3	3G5191	5.000	2.500	I	2422542	160.90
	Steering	3G5192	4-up	3G5191	5.000	2.500	I	2430384	153.34
	Steering	3G6904	0-up		1.500	0.750	I	8T1387	51.29
	Steering	5J1326	0-up	5J2388	5.000	2.250	I	2410895	130.11
	Bowl	6J1983	0-up	6J1980	8.250	3.000	I	2442069	284.87
Ejector	6J1419	8-10	6J1418	8.250	6.000	I	1891778	558.84	
Ejector	6J1419	11-UP	6J1418	8.250	6.000	I	2463442	552.99	

All manufacturer's names, part numbers and descriptions are used for reference purposes only. We do not imply that any part shown is the product of these manufacturers.

INDUSTRIAL SEAL KITS

MOBILE SEAL KITS



CATERPILLAR

KITS 190

CATERPILLAR

SCRAPER

Model	Application	Cylinder Group	Engineering Design Change Level	Cylinder Assembly Part No.	Bore	Rod	I	Ref. Number RCAT-	\$	
							M			
631B	Bowl	7J0243	3-up	7J0242	7.250	2.750	I	2435820	163.01	
	Ejector	6J1419	8-10	6J1418	8.250	6.000	I	1891778	558.84	
	Ejector	6J1419	11-up	6J1418	8.250	6.000	I	2463442	552.99	
	Lift	3G9677	0	3G9678	7.250	2.750	I	2435820	163.01	
	Lift	3G9677	1-up	3G9678	7.250	2.750	I	2435814	200.35	
	Steering	3G6904	0-up		1.500	0.750	I	8T1387	51.29	
	Steering	3J9031	0-6	2J9336	6.500	2.500	I	2435797	140.69	
	Steering	3J9031	7-up	2J9336	6.500	2.500	I	2430382	63.76	
	Steering	5J1250	0-5	5J1249	6.500	2.500	I	2435797	140.69	
	Steering	5J1250	6-up	5J1249	6.500	2.500	I	2430382	63.76	
	Steering	5J7806	0-7	5J7805	6.500	2.500	I	2435797	140.69	
	Steering	5J7806	8-up	5J7805	6.500	2.500	I	2430382	63.76	
	631C	Steering RH	7J1693	0-6	5J7805	6.500	2.500	I	2435797	140.69
		Steering RH	7J1693	7-up	8J3543	6.500	2.500	I	2430382	63.76
Apron		8J5931	0-up	8J5930	8.250	3.000	I	2442069	284.87	
Ejector		6J1419	8-10	6J1418	8.250	6.000	I	1891778	558.84	
Ejector		6J1419	11-up	6J1418	8.250	6.000	I	2463442	552.99	
Lift		7J2395	0-5	7J2393	7.250	2.750	I	2435820	163.01	
Lift		7J2395	6-up	7J2393	7.250	2.750	I	2435814	200.35	
Lift		7J2396	0-5	7J2394	7.250	2.750	I	2435820	163.01	
Lift LH		7J2396	6-up	7J2394	7.250	2.750	I	2435814	200.35	
Lift RH		7J2395	0-5	7J2393	7.250	2.750	I	2435820	163.01	
Lift RH		7J2395	6-up	7J2393	7.250	2.750	I	2435814	200.35	
		Load	7J3386	0-up		6.000	2.500	I	2422558	219.28
		Load	9J0537	0-2	9J1188	6.500	2.500	I	2435797	140.69
		Load	9J0537	3-up	9J1188	6.500	2.500	I	9X6024	128.85
	Steering	3G6904	0-up		1.500	0.750	I	8T1387	51.29	
	Steering	5J7806	0-7	5J7805	6.500	2.500	I	2435797	140.69	
	Steering	5J7806	8-up	5J7805	6.500	2.500	I	2430382	63.76	
	631D	Load	1083591	1-up	8J9960	6.500	2.500	I	2435803	142.45
Load		8J9959	0-6	8J9960	6.500	2.500	I	2435797	140.69	
Load		8J9959	8-up	8J9960	6.500	2.500	I	9X6024	128.85	
Steering		3G6904	0-up		1.500	0.750	I	8T1387	51.29	
Steering		3G7607	0-1	3G7608	6.500	2.750	I	2355802	129.04	
631E	Steering	3G7607	2-up	3G7608	6.500	2.750	I	2355804	160.50	
	Load	1083591	1-up	8J9960	6.500	2.500	I	2435803	142.45	
	Load	8J9959	0-6	8J9960	6.500	2.500	I	2435797	140.69	
	Load	8J9959	8-up	8J9960	6.500	2.500	I	9X6024	128.85	
	Steering	3G7607	0-1	3G7608	6.500	2.750	I	2355802	129.04	
	Steering	3G7607	2-up	3G7608	6.500	2.750	I	2355804	160.50	
	Steering	4T9364	0-up		1.500	0.750	I	8T4771	64.55	
	Steering	5J7806	0-7	5J7805	6.500	2.500	I	2435797	140.69	
	Steering	5J7806	8-up	5J7805	6.500	2.500	I	2430382	63.76	
	Load	1083591	1-up	8J9960	6.500	2.500	I	2435803	142.45	

All manufacturer's names, part numbers and descriptions are used for reference purposes only. We do not imply that any part shown is the product of these manufacturers.

INDUSTRIAL
SEAL KITS

MOBILE
SEAL KITS



CATERPILLAR

SCRAPER

CATERPILLAR

Model	Application	Cylinder Group	Engineering Design Change Level	Cylinder Assembly Part No.	Bore	Rod	I	Ref. Number RCAT-	\$
							M		
631SC	Apron	8J5931	0-up	8J5930	8.250	3.000	I	2442069	284.87
	Ejector	6E0897	0	6E0904	8.250	6.000	I	1891778	558.84
	Ejector	6E0897	1-up	6E0904	8.250	6.000	I	2463442	552.99
	Ejector	6E0905	0	6E0904	8.250	6.000	I	1891778	558.84
	Ejector	6E0905	1-up	6E0904	8.250	6.000	I	2463442	552.99
	Ejector	6J1419	8-10	6J1418	8.250	6.000	I	1891778	558.84
	Ejector	6J1419	11-up	6J1418	8.250	6.000	I	2463442	552.99
	Ejector	6J5824	7-10	6J5825	8.250	6.000	I	1891778	558.84
	Ejector	6J5824	11-up	6J5825	8.250	6.000	I	2463442	552.99
	Ejector	9T3595	0-up	9T3594	8.250	6.000	I	1891778	558.84
	Ejector	9T4887	0-up	9T3594	8.250	6.000	I	1891778	558.84
	Lift	7J2395	0-5	7J2393	7.250	2.750	I	2435820	163.01
	Lift	7J2395	6-up	7J2393	7.250	2.750	I	2435814	200.35
	Lift	7J2396	0-5	7J2394	7.250	2.750	I	2435820	163.01
Lift	7J2396	6-up	7J2394	7.250	2.750	I	2435814	200.35	
Lift	9J0408	0-6		7.250	2.750	I	2435820	163.01	
Lift	9J0408	7-up		7.250	2.750	I	2435814	200.35	
Lift	9J0409	0-6		7.250	2.750	I	2435820	163.01	
Lift	9J0409	7-up		7.250	2.750	I	2435814	200.35	
Lift LH	7J2396	0-5	7J2394	7.250	2.750	I	2435820	163.01	
Lift LH	7J2396	6-up	7J2394	7.250	2.750	I	2435814	200.35	
Lift LH	9J0409	0-6	9J8232	7.250	2.750	I	2435820	163.01	
Lift LH	9J0409	7-up	9J8232	7.250	2.750	I	2435814	200.35	
Lift RH	7J2395	0-5	7J2393	7.250	2.750	I	2435820	163.01	
Lift RH	7J2395	6-up	7J2393	7.250	2.750	I	2435814	200.35	
Lift RH	9J0408	0-6	9J8231	7.250	2.750	I	2435820	163.01	
Lift RH	9J0408	7-up	9J8231	7.250	2.750	I	2435814	200.35	
Load	7J3386	0		6.000	2.500	I	2422558	219.28	
Load	7J3386	1-up	7J3381	6.000	2.500	I	2422558	219.28	
Load	9J0537	0-2	9J1188	6.500	2.500	I	2435797	140.69	
Load	9J0537	3-up	9J1188	6.500	2.500	I	9X6024	128.85	
Steering	3G6904	0-up		1.500	0.750	I	8T1387	51.29	
Steering	3G7607	0-1	3G7608	6.500	2.750	I	2355802	129.04	
Steering	3G7607	2-up	3G7608	6.500	2.750	I	2355804	160.50	
Steering	3J9031	0-6	2J9336	6.500	2.500	I	2435797	140.69	
Steering	3J9031	7-up	2J9336	6.500	2.500	I	2430382	63.76	
Steering	5J1250	0-5	5J1249	6.500	2.500	I	2435797	140.69	
Steering	5J1250	6-up	5J1249	6.500	2.500	I	2430382	63.76	
Steering	5J7806	0-7	5J7805	6.500	2.500	I	2435797	140.69	
Steering	5J7806	8-up	5J7805	6.500	2.500	I	2430382	63.76	
633	Bowl	7J0243	3-up	7J0242	7.250	2.750	I	2435820	163.01
	Lift	3G9677	0	3G9678	7.250	2.750	I	2435820	163.01
	Lift	3G9677	1-up	3G9678	7.250	2.750	I	2435814	200.35
	Steering	5J7806	0-7	5J7805	6.500	2.500	I	2435797	140.69
	Steering	5J7806	8-up	5J7805	6.500	2.500	I	2430382	63.76
	Steering RH	7J1693	0-6	5J7805	6.500	2.500	I	2435797	140.69
	Steering RH	7J1693	7-up	8J3543	6.500	2.500	I	2430382	63.76

All manufacturer's names, part numbers and descriptions are used for reference purposes only. We do not imply that any part shown is the product of these manufacturers.

INDUSTRIAL SEAL KITS

MOBILE SEAL KITS



CATERPILLAR

CATERPILLAR

SCRAPER

INDUSTRIAL
SEAL KITS

MOBILE
SEAL KITS



CATERPILLAR

Model	Application	Cylinder Group	Engineering Design Change Level	Cylinder Assembly Part No.	Bore	Rod	I	Ref. Number RCAT-	\$
							M		
633C	Bowl	7J0243	3-up	7J0242	7.250	2.750	I	2435820	163.01
	Lift	3G9677	0	3G9678	7.250	2.750	I	2435820	163.01
	Lift	3G9677	1-up	3G9678	7.250	2.750	I	2435814	200.35
	Load	7J3386	0-up		6.000	2.500	I	2422558	219.28
	Load	9J0537	0-2	9J1188	6.500	2.500	I	2435797	140.69
	Load	9J0537	3-up	9J1188	6.500	2.500	I	9X6024	128.85
	Steering	3G6904	0-up		1.500	0.750	I	8T1387	51.29
Steering	5J7806	0-7	5J7805	6.500	2.500	I	2435797	140.69	
Steering	5J7806	8-up	5J7805	6.500	2.500	I	2430382	63.76	
Steering	6J1516	0-7	5J7805	6.500	2.500	I	2435797	140.69	
Steering	6J1516	8-up	8J3543	6.500	2.500	I	2430382	63.76	
Steering	8J3544	0-2	8J3543	6.500	2.500	I	2435797	140.69	
633D	Steering	8J3544	3-up	8J3543	6.500	2.500	I	2430382	63.76
	Steering RH	7J1693	0-6	5J7805	6.500	2.500	I	2435797	140.69
	Steering RH	7J1693	7-up	8J3543	6.500	2.500	I	2430382	63.76
633E	Load	1083591	1-up	8J9960	6.500	2.500	I	2435803	142.45
	Load	8J9959	0-6	8J9960	6.500	2.500	I	2435797	140.69
	Load	8J9959	8-up	8J9960	6.500	2.500	I	9X6024	128.85
	Steering	3G6904	0-up		1.500	0.750	I	8T1387	51.29
	Steering	3G7607	0-1	3G7608	6.500	2.750	I	2355802	129.04
	Steering	3G7607	2-up	3G7608	6.500	2.750	I	2355804	160.50
633E	Load	1083591	1-up	8J9960	6.500	2.500	I	2435803	142.45
633SC	Bowl	1313223	0-up	1314126	7.250	2.750	I	2435814	200.35
	Bowl	7J0243	3-up	7J0242	7.250	2.750	I	2435820	163.01
	Ejector	1U0408	0-3	6J9688	6.500	4.000	I	2460643	303.78
	Ejector	1U0408	4-up	4T0335	6.500	4.000	I	2460641	188.89
	Lift	3G9677	0	3G9678	7.250	2.750	I	2435820	163.01
	Lift	3G9677	1-up	3G9678	7.250	2.750	I	2435814	200.35
	Load	7J3386	0-up		6.000	2.500	I	2422558	219.28
	Load	9J0537	0-2	9J1188	6.500	2.500	I	2435797	140.69
	Load	9J0537	3-up	9J1188	6.500	2.500	I	9X6024	128.85
	Steering	3G6904	0-up		1.500	0.750	I	8T1387	51.29
	Steering	3G7607	0-1	3G7608	6.500	2.750	I	2355802	129.04
	Steering	3G7607	2-up	3G7608	6.500	2.750	I	2355804	160.50
	Steering	5J7806	0-7	5J7805	6.500	2.500	I	2435797	140.69
	Steering	5J7806	8-up	5J7805	6.500	2.500	I	2430382	63.76
Steering	6J1516	0-7	5J7805	6.500	2.500	I	2435797	140.69	
Steering	6J1516	8-up	8J3543	6.500	2.500	I	2430382	63.76	
Steering	8J3544	0-2	8J3543	6.500	2.500	I	2435797	140.69	
Steering	8J3544	3-up	8J3543	6.500	2.500	I	2430382	63.76	
Steering RH	7J1693	0-6	5J7805	6.500	2.500	I	2435797	140.69	
Steering RH	7J1693	7-up	8J3543	6.500	2.500	I	2430382	63.76	
637	Apron	8J5931	0-up	8J5930	8.250	3.000	I	2442069	284.87
	Bail	7J2377	0-up	4J4848	3.500	2.000	I	2408515	97.23

All manufacturer's names, part numbers and descriptions are used for reference purposes only. We do not imply that any part shown is the product of these manufacturers.

SCRAPER

CATERPILLAR

Model	Application	Cylinder Group	Engineering Design Change Level	Cylinder Assembly Part No.	Bore	Rod	I	Ref. Number RCAT-	\$	
							M			
	Bail	8J6064	0-up	8J6062	3.500	2.000	I	2408515	97.23	
	Ejector	6J5824	7-10	6J5825	8.250	6.000	I	1891778	558.84	
	Ejector	6J5824	11-UP	6J5825	8.250	6.000	I	2463442	552.99	
	Lift	7J2395	0-5	7J2393	7.250	2.750	I	2435820	163.01	
	Lift	7J2395	6-up	7J2393	7.250	2.750	I	2435814	200.35	
	Lift	7J2396	0-5		7.250	2.750	I	2435820	163.01	
	Lift LH	7J2396	6-up	7J2394	7.250	2.750	I	2435814	200.35	
	Lift RH	7J2395	0-5	7J2393	7.250	2.750	I	2435820	163.01	
	Lift RH	7J2395	6-up	7J2393	7.250	2.750	I	2435814	200.35	
	Load	7J3386	0-up		6.000	2.500	I	2422558	219.28	
	Load	9J0537	0-2	9J1188	6.500	2.500	I	2435797	140.69	
	Load	9J0537	3-up	9J1188	6.500	2.500	I	9X6024	128.85	
	637D	Steering	3G6904	0-up		1.500	0.750	I	8T1387	51.29
		Steering	5J7806	0-7	5J7805	6.500	2.500	I	2435797	140.69
Steering		5J7806	8-up	5J7805	6.500	2.500	I	2430382	63.76	
Bail		8J8458	0-up	8J8457	3.500	1.500	I	2465914	76.45	
Load		1083591	1-up	8J9960	6.500	2.500	I	2435803	142.45	
Load		8J9959	0-6	8J9960	6.500	2.500	I	2435797	140.69	
Load		8J9959	8-up	8J9960	6.500	2.500	I	9X6024	128.85	
Steering		3G6904	0-up		1.500	0.750	I	8T1387	51.29	
Steering		3G7607	0-1	3G7608	6.500	2.750	I	2355802	129.04	
Steering		3G7607	2-up	3G7608	6.500	2.750	I	2355804	160.50	
637E	Bail	4T5638	0-up	4T5639	3.000	1.750	I	2402016	70.99	
	Load	1083591	1-up	8J9960	6.500	2.500	I	2435803	142.45	
	Load	8J9959	0-6	8J9960	6.500	2.500	I	2435797	140.69	
	Load	8J9959	8-up	8J9960	6.500	2.500	I	9X6024	128.85	
	Steering Follow-Up	4T9364	0-up		1.500	0.750	I	8T4771	64.55	
637G	Load	1083591	1-up	8J9960	6.500	2.500	I	2435803	142.45	
637SC	Apron	8J5931	0-up	8J5930	8.250	3.000	I	2442069	284.87	
	Bail	7J2377	0-up	4J4848	3.500	2.000	I	2408515	97.23	
	Bail	8J6064	0-up	8J6062	3.500	2.000	I	2408515	97.23	
	Ejector	6E0897	0	6E0904	8.250	6.000	I	1891778	558.84	
	Ejector	6E0897	1-up	6E0904	8.250	6.000	I	2463442	552.99	
	Ejector	6E0905	0	6E0904	8.250	6.000	I	1891778	558.84	
	Ejector	6E0905	1-up	6E0904	8.250	6.000	I	2463442	552.99	
	Ejector	6J5824	7-10	6J5825	8.250	6.000	I	1891778	558.84	
	Ejector	6J5824	11-up	6J5825	8.250	6.000	I	2463442	552.99	
	Ejector	9T3595	0-up	9T3594	8.250	6.000	I	1891778	558.84	
	Ejector	9T4887	0-up	9T3594	8.250	6.000	I	1891778	558.84	
	Lift	7J2395	0-5	7J2393	7.250	2.750	I	2435820	163.01	
	Lift	7J2395	6-up	7J2393	7.250	2.750	I	2435814	200.35	
	Lift	7J2396	0-5	7J2394	7.250	2.750	I	2435820	163.01	
	Lift	7J2396	6-up	7J2394	7.250	2.750	I	2435814	200.35	
	Lift	9J0408	0-6		7.250	2.750	I	2435820	163.01	

All manufacturer's names, part numbers and descriptions are used for reference purposes only. We do not imply that any part shown is the product of these manufacturers.

INDUSTRIAL SEAL KITS

MOBILE SEAL KITS



CATERPILLAR

CATERPILLAR

SCRAPER

Model	Application	Cylinder Group	Engineering Design Change Level	Cylinder Assembly Part No.	Bore	Rod	I	Ref. Number RCAT-	\$
							M		
	Lift	9J0408	7-up		7.250	2.750	I	2435814	200.35
	Lift	9J0409	0-6		7.250	2.750	I	2435820	163.01
	Lift	9J0409	7-up		7.250	2.750	I	2435814	200.35
	Lift LH	7J2396	0-5	7J2394	7.250	2.750	I	2435820	163.01
	Lift LH	7J2396	6-up	7J2394	7.250	2.750	I	2435814	200.35
	Lift LH	9J0409	0-6	9J8232	7.250	2.750	I	2435820	163.01
	Lift LH	9J0409	7-up	9J8232	7.250	2.750	I	2435814	200.35
	Lift RH	7J2395	0-5	7J2393	7.250	2.750	I	2435820	163.01
	Lift RH	7J2395	6-up	7J2393	7.250	2.750	I	2435814	200.35
	Lift RH	9J0408	0-6	9J8231	7.250	2.750	I	2435820	163.01
	Lift RH	9J0408	7-up	9J8231	7.250	2.750	I	2435814	200.35
	Load	7J3386	0-up		6.000	2.500	I	2422558	219.28
	Load	9J0537	0-2	9J1188	6.500	2.500	I	2435797	140.69
	Load	9J0537	3-up	9J1188	6.500	2.500	I	9X6024	128.85
	Steering	3G6904	0-up		1.500	0.750	I	8T1387	51.29
	Steering	3G7607	0-1	3G7608	6.500	2.750	I	2355802	129.04
	Steering	3G7607	2-up	3G7608	6.500	2.750	I	2355804	160.50
	Steering	5J7806	0-7	5J7805	6.500	2.500	I	2435797	140.69
	Steering	5J7806	8-up	5J7805	6.500	2.500	I	2430382	63.76
639D	Load	1083591	1-up	8J9960	6.500	2.500	I	2435803	142.45
	Load	8J9959	0-6	8J9960	6.500	2.500	I	2435797	140.69
	Load	8J9959	8-up	8J9960	6.500	2.500	I	9X6024	128.85
	Steering	3G6904	0-up		1.500	0.750	I	8T1387	51.29
	Steering	3G7607	0-1	3G7608	6.500	2.750	I	2355802	129.04
	Steering	3G7607	2-up	3G7608	6.500	2.750	I	2355804	160.50
639SC	Lift	3G9677	0	3G9678	7.250	2.750	I	2435820	163.01
	Lift	3G9677	1-up	3G9678	7.250	2.750	I	2435814	200.35
641	Apron	5J8117	2-6	3J7521	9.250	3.250	I	2450602	163.33
	Apron	5J8117	7-up	3J7521	9.250	3.250	I	2450603	253.19
	Bowl	6J1983	0-up	6J1980	8.250	3.000	I	2442069	284.87
	Bowl LH	7J4364	0-up	7J4362	8.250	3.000	I	2442069	284.87
	Bowl RH	7J4363	0-up	7J4361	8.250	3.000	I	2442069	284.87
	Load	5J8623	5-up	5J8620	8.250	3.500	I	2460638	140.21
	Steering	3G6904	0-up		1.500	0.750	I	8T1387	51.29
	Steering	3G9689	1-up	3G9688	7.250	2.750	I	2435820	163.01
641B	Apron	5J8117	2-6	3J7521	9.250	3.250	I	2450602	163.33
	Apron	5J8117	7-up	3J7521	9.250	3.250	I	2450603	253.19
	Bowl LH	7J4364	0-up	7J4362	8.250	3.000	I	2442069	284.87
	Bowl RH	7J4363	0-up	7J4361	8.250	3.000	I	2442069	284.87
	Load	5J8623	5-up	5J8620	8.250	3.500	I	2460638	140.21
	Load	7J4623	0-3	7J4622	8.250	3.500	I	2460638	140.21
	Load	7J4623	4-up	7J4622	8.250	3.500	I	2456827	311.82
	Steering	3G6904	0-up		1.500	0.750	I	8T1387	51.29
	Steering	3G9689	1-up	3G9688	7.250	2.750	I	2435820	163.01

All manufacturer's names, part numbers and descriptions are used for reference purposes only. We do not imply that any part shown is the product of these manufacturers.

INDUSTRIAL
SEAL KITS

MOBILE
SEAL KITS



CATERPILLAR

SCRAPER

CATERPILLAR

Model	Application	Cylinder Group	Engineering Design Change Level	Cylinder Assembly Part No.	Bore	Rod	I	Ref. Number RCAT-	\$
							M		
641SC	Apron	5J8117	2-6	3J7521	9.250	3.250	I	2450602	163.33
	Apron	5J8117	7-up	3J7521	9.250	3.250	I	2450603	253.19
	Bowl	6J1983	0-up	6J1980	8.250	3.000	I	2442069	284.87
	Bowl LH	7J4364	0-up	7J4362	8.250	3.000	I	2442069	284.87
	Bowl RH	7J4363	0-up	7J4361	8.250	3.000	I	2442069	284.87
	Load	5J8623	5-up	5J8620	8.250	3.500	I	2460638	140.21
	Load	7J4623	0-3	7J4622	8.250	3.500	I	2460638	140.21
	Load	7J4623	4-up	7J4622	8.250	3.500	I	2456827	311.82
	Steering	3G6904	0-up		1.500	0.750	I	8T1387	51.29
	Steering	3G9689	1-up	3G9688	7.250	2.750	I	2435820	163.01
650	Ejector	6J9889	2-9	6J9888	10.250	7.250	I	2481193	489.80
	Ejector	6J9889	10-up	6J9888	10.250	7.250	I	1891796	549.21
	Special Application	4J2064	0-up	4J2057	6.000	2.500	I	2422556	159.43
650SC	Ejector	6J9889	2-9	6J9888	10.250	7.250	I	2481193	489.80
	Ejector	6J9889	10-up	6J9888	10.250	7.250	I	1891796	549.21
651	Apron	5J8117	2-6	3J7521	9.250	3.250	I	2450602	163.33
	Apron	5J8117	7-up	3J7521	9.250	3.250	I	2450603	253.19
	Bowl	7J4397	0-3	7J4342	9.250	3.250	I	2450607	127.90
	Bowl	7J4397	4-up	7J4342	9.250	3.250	I	2450609	190.80
	Bowl RH	7J4397	0-3	7J4341	9.250	3.250	I	2450607	127.90
	Bowl RH	7J4397	4-up	7J4341	9.250	3.250	I	2450609	190.80
	Ejector	6J9889	2-9	6J9888	10.250	7.250	I	2481193	489.80
Ejector	6J9889	10-up	6J9888	10.250	7.250	I	1891796	549.21	
651B	Load	5J8623	5-up	5J8620	8.250	3.500	I	2460638	140.21
	Steering	3G6904	0-up		1.500	0.750	I	8T1387	51.29
	Steering	3G9689	1-up	3G9688	7.250	2.750	I	2435820	163.01
	Ejector	6J9889	2-9	6J9888	10.250	7.250	I	2481193	489.80
	Ejector	6J9889	10-up	6J9888	10.250	7.250	I	1891796	549.21
	Load	5J8623	5-up	5J8620	8.250	3.500	I	2460638	140.21
	Load	7J4623	0-3	7J4622	8.250	3.500	I	2460638	140.21
651E	Load	7J4623	4-up	7J4622	8.250	3.500	I	2456827	311.82
	Steering	3G6904	0-up		1.500	0.750	I	8T1387	51.29
	Steering	3G9689	1-up	3G9688	7.250	2.750	I	2435820	163.01
	Load	3G8757	3-up	3G8756	8.250	3.500	I	2456830	253.09
	Steering	3G5516	0-up		7.250	3.250	I	2450613	159.22
	Steering	3G9689	1-up	3G9688	7.250	2.750	I	2435820	163.01

All manufacturer's names, part numbers and descriptions are used for reference purposes only. We do not imply that any part shown is the product of these manufacturers.

INDUSTRIAL SEAL KITS

MOBILE SEAL KITS



CATERPILLAR

CATERPILLAR

SCRAPER

Model	Application	Cylinder Group	Engineering Design Change Level	Cylinder Assembly Part No.	Bore	Rod	I	Ref. Number RCAT-	\$
							M		
651SC	Steering	4T8563	0	3G5515	7.250	3.250	I	2450613	159.22
	Steering	4T8563	1-up	3G5515	7.250	3.250	I	2450614	198.03
	Steering Follow-Up	1U3895	0-up		1.500	0.750	I	8T4771	64.55
	Steering Follow-Up	4T9364	0-up		1.500	0.750	I	8T4771	64.55
	Apron	3G8621	0-4	3J7521	9.250	3.250	I	2450602	163.33
	Apron	3G8621	5-up	3J7521	9.250	3.250	I	2450603	253.19
	Apron	5J8117	2-6	3J7521	9.250	3.250	I	2450602	163.33
	Apron	5J8117	7-up	3J7521	9.250	3.250	I	2450603	253.19
	Bowl	7J4397	0-3	7J4342	9.250	3.250	I	2450607	127.90
	Bowl	7J4397	4-up	7J4342	9.250	3.250	I	2450609	190.80
	Bowl LH	4T5735	0-2	3G9219	9.250	3.250	I	2450607	127.90
	Bowl LH	4T5735	3-up	3G9219	9.250	3.250	I	2450609	190.80
	Bowl RH	4T5736	0-2	3G9219	9.250	3.250	I	2450607	127.90
	Bowl RH	4T5736	3-up	3G9219	9.250	3.250	I	2450609	190.80
Bowl RH	7J4397	0-3	7J4341	9.250	3.250	I	2450607	127.90	
Bowl RH	7J4397	4-up	7J4341	9.250	3.250	I	2450609	190.80	
Ejector	3G8617	0-4	6J9888	10.250	7.250	I	2481193	489.80	
Ejector	3G8617	6-up	6J9888	10.250	7.250	I	1891796	549.21	
Ejector	6J9889	2-9	6J9888	10.250	7.250	I	2481193	489.80	
Ejector	6J9889	10-up	6J9888	10.250	7.250	I	1891796	549.21	
Load	5J8623	5-up	5J8620	8.250	3.500	I	2460638	140.21	
Load	7J4623	0-3	7J4622	8.250	3.500	I	2460638	140.21	
Load	7J4623	4-up	7J4622	8.250	3.500	I	2456827	311.82	
657	N/A	3G8827	3-up	3G8826	7.750	4.500	I	2456819	770.59
	Steering	3G6904	0-up		1.500	0.750	I	8T1387	51.29
	Steering	3G9689	1-up	3G9688	7.250	2.750	I	2435820	163.01
	Steering	4T8563	0	3G5515	7.250	3.250	I	2450613	159.22
	Steering	4T8563	1-up	3G5515	7.250	3.250	I	2450614	198.03
	Apron	5J8117	2-6	3J7521	9.250	3.250	I	2450602	163.33
	Apron	5J8117	7-up	3J7521	9.250	3.250	I	2450603	253.19
	Bail	7J2377	0-up	4J4848	3.500	2.000	I	2408515	97.23
	Bail	8J6064	0-up	8J6062	3.500	2.000	I	2408515	97.23
	Bowl	7J4397	0-3	7J4342	9.250	3.250	I	2450607	127.90
	Bowl	7J4397	4-up	7J4342	9.250	3.250	I	2450609	190.80
	Bowl RH	7J4397	0-3	7J4341	9.250	3.250	I	2450607	127.90
	Bowl RH	7J4397	4-up	7J4341	9.250	3.250	I	2450609	190.80
	Ejector	3J4483	8-9	3J4449	7.750	4.500	I	2456817	723.75
Ejector	3J4483	10-up	3J4449	7.750	4.500	I	2456818	584.17	
Ejector	4T4279	0-up	3J4449	7.750	4.500	I	2456818	584.17	
Load	5J8623	5-up	5J8620	8.250	3.500	I	2460638	140.21	
657B	Steering	3G6904	0-up		1.500	0.750	I	8T1387	51.29
	Steering	3G9689	1-up	3G9688	7.250	2.750	I	2435820	163.01
	Apron	5J8117	2-6	3J7521	9.250	3.250	I	2450602	163.33
	Apron	5J8117	7-up	3J7521	9.250	3.250	I	2450603	253.19
	Bail	7J2377	0-up	4J4848	3.500	2.000	I	2408515	97.23

All manufacturer's names, part numbers and descriptions are used for reference purposes only. We do not imply that any part shown is the product of these manufacturers.



Remsa [KITS]

SCRAPER

CATERPILLAR

Model	Application	Cylinder Group	Engineering Design Change Level	Cylinder Assembly Part No.	Bore	Rod	I	Ref. Number RCAT-	\$
							M		
	Bail	8J6064	0-up	8J6062	3.500	2.000	I	2408515	97.23
	Bail	8J8458	0-up	8J8457	3.500	1.500	I	2465914	76.45
	Bowl	7J4397	0-3	7J4342	9.250	3.250	I	2450607	127.90
	Bowl	7J4397	4-up	7J4342	9.250	3.250	I	2450609	190.80
	Bowl RH	7J4397	0-3	7J4341	9.250	3.250	I	2450607	127.90
	Bowl RH	7J4397	4-up	7J4341	9.250	3.250	I	2450609	190.80
	Ejector	3J4483	8-9	3J4449	7.750	4.500	I	2456817	723.75
	Ejector	3J4483	10-up	3J4449	7.750	4.500	I	2456818	584.17
	Ejector	4T4279	0-up	3J4449	7.750	4.500	I	2456818	584.17
	Load	5J8623	5-up	5J8620	8.250	3.500	I	2460638	140.21
	Load	7J4623	0-3	7J4622	8.250	3.500	I	2460638	140.21
	Load	7J4623	4-up	7J4622	8.250	3.500	I	2456827	311.82
657E	Steering	3G6904	0-up		1.500	0.750	I	8T1387	51.29
	Steering	3G9689	1-up	3G9688	7.250	2.750	I	2435820	163.01
	Bail	4T5638	0-up	4T5639	3.000	1.750	I	2402016	70.99
	Bail	8J8458	0-up	8J8457	3.500	1.500	I	2465914	76.45
	Load	3G8757	3-up	3G8756	8.250	3.500	I	2456830	253.09
	Steering	3G5516	0-up		7.250	3.250	I	2450613	159.22
	Steering	4T8563	0	3G5515	7.250	3.250	I	2450613	159.22
	Steering	4T8563	1-up	3G5515	7.250	3.250	I	2450614	198.03
	Steering Follow-Up	1U3895	0-up		1.500	0.750	I	8T4771	64.55
	Steering Follow-Up	4T9364	0-up		1.500	0.750	I	8T4771	64.55
657SC	Apron	3G8621	0-4	3J7521	9.250	3.250	I	2450602	163.33
	Apron	3G8621	5-up	3J7521	9.250	3.250	I	2450603	253.19
	Apron	5J8117	2-6	3J7521	9.250	3.250	I	2450602	163.33
	Apron	5J8117	7-up	3J7521	9.250	3.250	I	2450603	253.19
	Bail	7J2377	0-up	4J4848	3.500	2.000	I	2408515	97.23
	Bail	8J6064	0-up	8J6062	3.500	2.000	I	2408515	97.23
	Bail	8J8458	0-up	8J8457	3.500	1.500	I	2465914	76.45
	Bowl	7J4397	0-3	7J4342	9.250	3.250	I	2450607	127.90
	Bowl	7J4397	4-up	7J4342	9.250	3.250	I	2450609	190.80
	Bowl LH	4T5735	0-2	3G9219	9.250	3.250	I	2450607	127.90
Bowl LH	4T5735	3-up	3G9219	9.250	3.250	I	2450609	190.80	
Bowl RH	4T5736	0-2	3G9219	9.250	3.250	I	2450607	127.90	
	Bowl RH	4T5736	3-up	3G9219	9.250	3.250	I	2450609	190.80
	Bowl RH	7J4397	0-3	7J4341	9.250	3.250	I	2450607	127.90
	Bowl RH	7J4397	4-up	7J4341	9.250	3.250	I	2450609	190.80
	Ejector	3G8827	3-up	3G8826	7.750	4.500	I	2456819	770.59
	Ejector	3J4483	8-9	3J4449	7.750	4.500	I	2456817	723.75
	Ejector	3J4483	10-up	3J4449	7.750	4.500	I	2456818	584.17
	Ejector	4T4279	0-up	3J4449	7.750	4.500	I	2456818	584.17
	Load	5J8623	5-up	5J8620	8.250	3.500	I	2460638	140.21
	Load	7J4623	0-3	7J4622	8.250	3.500	I	2460638	140.21
	Load	7J4623	4-up	7J4622	8.250	3.500	I	2456827	311.82
	Steering	3G6904	0-up		1.500	0.750	I	8T1387	51.29
	Steering	3G9689	1-up	3G9688	7.250	2.750	I	2435820	163.01

All manufacturer's names, part numbers and descriptions are used for reference purposes only. We do not imply that any part shown is the product of these manufacturers.

INDUSTRIAL SEAL KITS

MOBILE SEAL KITS



CATERPILLAR

CATERPILLAR

SCRAPER

Model	Application	Cylinder Group	Engineering Design Change Level	Cylinder Assembly Part No.	Bore	Rod	I	Ref. Number RCAT-	\$
							M		
660	Steering	4T8563	0	3G5515	7.250	3.250	I	2450613	159.22
	Steering	4T8563	1-up	3G5515	7.250	3.250	I	2450614	198.03
	Bowl LH	7J4356	0-3	7J4344	9.250	3.250	I	2450607	127.90
	Bowl LH	7J4356	4-up	7J4344	9.250	3.250	I	2450609	190.80
	Special Application	4J2064	0-up	4J2057	6.000	2.500	I	2422556	159.43
660B	Bowl LH	7J4356	0-3	7J4344	9.250	3.250	I	2450607	127.90
	Bowl LH	7J4356	4-up	7J4344	9.250	3.250	I	2450609	190.80
	Ejector	6J9889	2-9	6J9888	10.250	7.250	I	2481193	489.80
	Ejector	6J9889	10-up	6J9888	10.250	7.250	I	1891796	549.21
	Special Application	4J2064	0-up	4J2057	6.000	2.500	I	2422556	159.43
660SC	Bowl LH	7J4356	0-3	7J4344	9.250	3.250	I	2450607	127.90
	Bowl LH	7J4356	4-up	7J4344	9.250	3.250	I	2450609	190.80
666	Bowl LH	7J4356	0-3	7J4344	9.250	3.250	I	2450607	127.90
	Bowl LH	7J4356	4-up	7J4344	9.250	3.250	I	2450609	190.80
	Ejector	6J9889	2-9	6J9888	10.250	7.250	I	2481193	489.80
	Ejector	6J9889	10-up	6J9888	10.250	7.250	I	1891796	549.21
	Special Application	4J2064	0-up	4J2057	6.000	2.500	I	2422556	159.43
666B	Bowl LH	7J4356	0-3	7J4344	9.250	3.250	I	2450607	127.90
	Bowl LH	7J4356	4-up	7J4344	9.250	3.250	I	2450609	190.80
666SC	Special Application	4J2064	0-up	4J2057	6.000	2.500	I	2422556	159.43
	Bowl LH	7J4356	0-3	7J4344	9.250	3.250	I	2450607	127.90
	Bowl LH	7J4356	4-up	7J4344	9.250	3.250	I	2450609	190.80
J621	Floor	7J5528	0-3	7J5527	5.000	2.500	I	2422553	99.57
	Floor	7J5528	4-up	7J5527	5.000	2.500	I	1864389	99.57

All manufacturer's names, part numbers and descriptions are used for reference purposes only. We do not imply that any part shown is the product of these manufacturers.

INDUSTRIAL
SEAL KITS

MOBILE
SEAL KITS



CATERPILLAR

Remsa [KITS]

SOIL COMPACTOR

CATERPILLAR

Model	Application	Cylinder Group	Engineering Design Change Level	Cylinder Assembly Part No.	Bore	Rod	I	Ref. Number RCAT-	\$
							M		
815	Lift	8J6809	0-1	8J6808	4.000	2.000	I	2378277	109.50
	Lift	8J8756	0-up	8J6808	4.000	2.000	I	2378277	109.50
	Steering	7J6054	0-3	7J6053	4.000	2.000	I	2378277	109.50
	Steering	7J9356	0-6	7J9354	4.000	2.000	I	2378277	109.50
815B	Lift	3G0881	0-6	3G0882	4.000	2.000	I	2406899	42.77
	Lift	3G0881	7-up	3G0882	4.000	2.000	I	2339205	48.11
	Steering	4T1574	0-2	4T1580	4.000	2.000	I	2406899	42.77
	Steering	4T1574	3-up	4T1580	4.000	2.000	I	2339205	48.11
	Steering	6E5024	0-up	6E5025	4.000	2.000	I	2409538	59.15
	Tilt	1U1988	6-up	1U1989	4.000	2.000	I	2409941	106.63
	Tilt	1U2012	5-up	1U1989	4.000	2.000	I	2418916	137.45
815F	Lift	3G0881	0-6	3G0882	4.000	2.000	I	2406899	42.77
	Lift	3G0881	7-up	3G0882	4.000	2.000	I	2339205	48.11
	Steering	4T1574	0-2	4T1580	4.000	2.000	I	2406899	42.77
	Steering	4T1574	3-up	4T1580	4.000	2.000	I	2339205	48.11
	Steering	6E5024	0-up	6E5025	4.000	2.000	I	2409538	59.15
	Tilt	1U2012	0-4	1U1989	4.000	2.000	I	2410903	72.30
	Tilt	1U2012	5-up	1U1989	4.000	2.000	I	2418916	137.45
	Tilt	1U2012	5-up	1U1989	4.000	2.000	I	2418916	137.45
825B	Lift	4J9233	0-up	4J9655	4.500	2.000	I	2386882	78.49
	Steering	6J7590	0-up	6J7868	5.000	2.250	I	2410895	130.11
	Steering	7J9718	0-up	7J9717	5.000	2.250	I	2410895	130.11
	Steering	7K9401	0-up	7K9401	5.000	2.250	I	2410895	130.11
825C	Lift	9J7934	0-up	9J7088	5.000	2.000	I	2386718	71.07
	Steering	9J7086	3-7	9J7088	5.000	2.250	I	2410895	130.11
	Steering	9J7086	8-up	9J7088	5.000	2.250	I	2417578	128.23
	Steering	9J7087	3-7	9J7088	5.000	2.250	I	2410895	130.11
	Steering	9J7087	8-up	9J7088	5.000	2.250	I	2417578	128.23
	Tilt	9J7951	0-up	9J7088	5.000	2.000	I	2386718	71.07
825G	Lift	1199226	0-up	1199220	3.750	2.250	I	2350969	127.56
	Lift	1447349	0-up	1447350	3.750	2.250	I	2350969	127.56
	Lift	1493236	0-up	1493237	3.750	2.250	I	2350969	127.56
	Steering	1175151	0-up	1174566	4.500	2.500	I	2435806	149.99
	Tilt	1198863	2-up	1198865	3.750	2.000	I	2409518	83.83
835	Lift	4J9233	0-up	4J9655	4.500	2.000	I	2386882	78.49
	Steering	7J9984	0-up	7J9982	5.000	2.250	I	2410895	130.11

All manufacturer's names, part numbers and descriptions are used for reference purposes only. We do not imply that any part shown is the product of these manufacturers.

INDUSTRIAL SEAL KITS

MOBILE SEAL KITS



CATERPILLAR

CATERPILLAR

TELEHANDLER

Model	Application	Cylinder Group	Engineering Design Change Level	Cylinder Assembly Part No.	Bore	Rod	I	Ref. Number RCAT-	\$
							M		
TH62	Multi-Purpose Bucket	9T4006	0-up		3.000	1.500	I	2350354	82.67
TH63	Multi-Purpose Bucket	9T4006	0-up		3.000	1.500	I	2350354	82.67
TH82	Multi-Purpose Bucket	9T4006	0-up		3.000	1.500	I	2350354	82.67
TH83	Multi-Purpose Bucket	9T4006	0-up		3.000	1.500	I	2350354	82.67



TRACK LOADER

931	Bucket	3G7365	0-up		3.500	1.500	I	2465914	76.45
	Bucket	8J5391	0-up	8J5390	3.500	1.500	I	2465914	76.45
	Ripper	7J9920	0-7		4.000	2.000	I	2406899	42.77
	Ripper	7J9920	8-up	7J9765	4.000	2.000	I	2339205	48.11
931B	Backhoe Boom/Bucket	3G5767	0-5	3G5768	4.500	2.250	I	2410897	86.23
	Backhoe Boom/Bucket	3G5767	6-up	3G5768	4.500	2.250	I	2417584	120.35
	Backhoe Boom/Bucket	3G5905	0-4	3G5904	3.500	2.250	I	2410903	72.30
	Backhoe Boom/Bucket	3G5905	5-up	3G5904	3.500	2.250	I	2418916	137.45
	Backhoe Stick/Blade Shift	3G5771	0-3	3G5772	4.000	2.000	I	2406899	42.77
	Backhoe Stick/Blade Shift	3G5771	4-up	3G5772	4.000	2.000	I	2339205	48.11
	Bucket	3G7365	0-up		3.500	1.500	I	2465914	76.45
	Lift	6E0214	1-3	6E0213	4.000	2.000	I	2339205	48.11
	Lift	7J5893	0-8	8J4424	4.000	2.000	I	2406899	42.77
	Lift	7J5893	9-up	8J4424	4.000	2.000	I	2339205	48.11
	Lift	7J5894	0-8	7J5891	4.000	2.000	I	2406899	42.77
	Lift	7J5894	9-up	7J5891	4.000	2.000	I	2339205	48.11
	Lift LH	6E0214	0-up	6E0213	4.000	2.000	I	2339205	48.11
Lift LH	9T6705	0-up	9T6707	4.000	2.000	I	2339205	48.11	
Lift RH	9T6704	0-up	9T6706	4.000	2.000	I	2339205	48.11	
Ripper	7J9920	0-7		4.000	2.000	I	2406899	42.77	
Ripper	7J9920	8-up	7J9765	4.000	2.000	I	2339205	48.11	
Stabilizer	3G6792	0-up		3.500	1.500	I	2465914	76.45	
Stabilizer LH	1U2656	0-2	1U2654	4.000	2.000	I	2406899	42.77	
Stabilizer LH	1U2656	3-up	1U2654	4.000	2.000	I	2339205	48.11	
Stabilizer RH	1U2655	0-2	1U2653	4.000	2.000	I	2406899	42.77	
Stabilizer RH	1U2655	3-up	1U2653	4.000	2.000	I	2339205	48.11	
Tilt	4T0963	0-up		3.250	1.750	I	2401671	51.17	

All manufacturer's names, part numbers and descriptions are used for reference purposes only. We do not imply that any part shown is the product of these manufacturers.



TRACK LOADER

CATERPILLAR

Model	Application	Cylinder Group	Engineering Design Change Level	Cylinder Assembly Part No.	Bore	Rod	I	Ref. Number RCAT-	\$
							M		
931C	Backhoe Boom/Bucket	3G5767	0-5	3G5768	4.500	2.250	I	2410897	86.23
	Backhoe Boom/Bucket	3G5767	6-up	3G5768	4.500	2.250	I	2417584	120.35
	Backhoe Boom/Bucket	3G5905	0-4	3G5904	3.500	2.250	I	2410903	72.30
	Backhoe Boom/Bucket	3G5905	5-up	3G5904	3.500	2.250	I	2418916	137.45
	Backhoe Stick/Blade Shift	3G5771	0-3	3G5772	4.000	2.000	I	2406899	42.77
	Backhoe Stick/Blade Shift	3G5771	4-up	3G5772	4.000	2.000	I	2339205	48.11
	Bucket	3G7365	0-up		3.500	1.500	I	2465914	76.45
	Lift	6E0214	1-3	6E0213	4.000	2.000	I	2339205	48.11
	Lift	7J5893	0-8	8J4424	4.000	2.000	I	2406899	42.77
	Lift	7J5893	9-up	8J4424	4.000	2.000	I	2339205	48.11
	Lift	7J5894	0-8	7J5891	4.000	2.000	I	2406899	42.77
	Lift	7J5894	9-up	7J5891	4.000	2.000	I	2339205	48.11
	Lift LH	6E0214	0-up	6E0213	4.000	2.000	I	2339205	48.11
	Lift LH	9T6705	0-up	9T6707	4.000	2.000	I	2339205	48.11
Lift RH	9T6704	0-up	9T6706	4.000	2.000	I	2339205	48.11	
Ripper	7J9920	0-7		4.000	2.000	I	2406899	42.77	
Ripper	7J9920	8-up	7J9765	4.000	2.000	I	2339205	48.11	
Stabilizer	3G6792	0-up		3.500	1.500	I	2465914	76.45	
Stabilizer LH	1U2656	0-2	1U2654	4.000	2.000	I	2406899	42.77	
Stabilizer LH	1U2656	3-up	1U2654	4.000	2.000	I	2339205	48.11	
Stabilizer RH	1U2655	0-2	1U2653	4.000	2.000	I	2406899	42.77	
Stabilizer RH	1U2655	3-up	1U2653	4.000	2.000	I	2339205	48.11	
Tilt	4T0963	0-up		3.250	1.750	I	2401671	51.17	
933	Bucket	3G7365	0-up		3.500	1.500	I	2465914	76.45
	Lift	1052808	2-5	1052887	4.000	2.000	I	2339205	48.11
	Lift	1052886	2-5	1052885	4.000	2.000	I	2339205	48.11
	Lift LH	1052808	0-up	1052887	4.000	2.000	I	2339205	48.11
	Lift RH	1052886	0-up	1052885	4.000	2.000	I	2339205	48.11
	Ripper	7J9920	0-8		4.000	2.000	I	2406899	42.77
	Ripper	7J9920	8-up	7J9765	4.000	2.000	I	2339205	48.11
	Tilt	1012493	0-up	1012494	3.500	1.750	I	2401881	45.15
	Tilt	1368600	0-up	1368601	3.500	1.750	I	2401881	45.15
	933C	Bucket	1494362	0-up	1496067	4.000	2.000	I	2339205
Lift RH		1412421	0-up	1419165	4.000	2.000	I	2339205	48.11
Ripper		7J9920	0-8		4.000	2.000	I	2406899	42.77
Ripper		7J9920	8-up	7J9765	4.000	2.000	I	2339205	48.11
Tilt		1214264	0-up	1418961	3.500	1.750	I	2401881	45.15
935B	Backhoe Boom/Bucket	3G5767	0-5	3G5768	4.500	2.250	I	2410897	86.23
	Backhoe Boom/Bucket	3G5767	6-up	3G5768	4.500	2.250	I	2417584	120.35
	Backhoe Boom/Bucket	3G5905	0-4	3G5904	3.500	2.250	I	2410903	72.30
	Backhoe Boom/Bucket	3G5905	5-up	3G5904	3.500	2.250	I	2418916	137.45
	Backhoe Stick/Blade Shift	3G5771	0-3	3G5772	4.000	2.000	I	2406899	42.77
	Backhoe Stick/Blade Shift	3G5771	4-up	3G5772	4.000	2.000	I	2339205	48.11
	Bucket	3G7365	0-up		3.500	1.500	I	2465914	76.45
	Lift	6E0214	1-3	6E0213	4.000	2.000	I	2339205	48.11

All manufacturer's names, part numbers and descriptions are used for reference purposes only. We do not imply that any part shown is the product of these manufacturers.

INDUSTRIAL SEAL KITS

MOBILE SEAL KITS



CATERPILLAR

CATERPILLAR

TRACK LOADER

Model	Application	Cylinder Group	Engineering Design Change Level	Cylinder Assembly Part No.	Bore	Rod	I	Ref. Number RCAT-	\$
							M		
	Lift	7J5893	0-8	8J4424	4.000	2.000	I	2406899	42.77
	Lift	7J5893	9-up	8J4424	4.000	2.000	I	2339205	48.11
	Lift	7J5894	0-8	7J5891	4.000	2.000	I	2406899	42.77
	Lift	7J5894	9-up	7J5891	4.000	2.000	I	2339205	48.11
	Lift LH	6E0214	0-up	6E0213	4.000	2.000	I	2339205	48.11
	Lift LH	9T6705	0-up	9T6707	4.000	2.000	I	2339205	48.11
	Lift RH	9T6704	0-up	9T6706	4.000	2.000	I	2339205	48.11
	Ripper	7J9765	5-8	7J9765	4.000	2.000	I	2406899	42.77
	Ripper	7J9920	0-5		4.000	2.000	I	2406899	42.77
	Ripper	7J9920	8-up	7J9765	4.000	2.000	I	2339205	48.11
	Stabilizer	3G6792	0-up		3.500	1.500	I	2465914	76.45
	Stabilizer LH	1U2656	0-2	1U2654	4.000	2.000	I	2406899	42.77
	Stabilizer LH	1U2656	3-up	1U2654	4.000	2.000	I	2339205	48.11
	Stabilizer RH	1U2655	0-2	1U2653	4.000	2.000	I	2406899	42.77
Stabilizer RH	1U2655	3-up	1U2653	4.000	2.000	I	2339205	48.11	
935C	Tilt	4T0963	0-up		3.250	1.750	I	2401671	51.17
	Backhoe Boom/Bucket	3G5767	0-5	3G5768	4.500	2.250	I	2410897	86.23
	Backhoe Boom/Bucket	3G5767	6-up	3G5768	4.500	2.250	I	2417584	120.35
	Backhoe Boom/Bucket	3G5905	0-4	3G5904	3.500	2.250	I	2410903	72.30
	Backhoe Boom/Bucket	3G5905	5-up	3G5904	3.500	2.250	I	2418916	137.45
	Backhoe Stick/Blade Shift	3G5771	0-3	3G5772	4.000	2.000	I	2406899	42.77
	Backhoe Stick/Blade Shift	3G5771	4-up	3G5772	4.000	2.000	I	2339205	48.11
	Bucket	3G7365	0-up		3.500	1.500	I	2465914	76.45
	Lift	6E0214	1-3	6E0213	4.000	2.000	I	2339205	48.11
	Lift	7J5893	0-8	8J4424	4.000	2.000	I	2406899	42.77
Lift	7J5893	9-up	8J4424	4.000	2.000	I	2339205	48.11	
Lift	7J5894	0-8	7J5891	4.000	2.000	I	2406899	42.77	
Lift	7J5894	9-up	7J5891	4.000	2.000	I	2339205	48.11	
Lift LH	6E0214	0-up	6E0213	4.000	2.000	I	2339205	48.11	
Lift LH	9T6705	0-up	9T6707	4.000	2.000	I	2339205	48.11	
Lift RH	9T6704	0-up	9T6706	4.000	2.000	I	2339205	48.11	
Ripper	7J9920	0-7		4.000	2.000	I	2406899	42.77	
Ripper	7J9920	8-up	7J9765	4.000	2.000	I	2339205	48.11	
Stabilizer	3G6792	0-up		3.500	1.500	I	2465914	76.45	
Stabilizer LH	1U2656	0-2	1U2654	4.000	2.000	I	2406899	42.77	
Stabilizer LH	1U2656	3-up	1U2654	4.000	2.000	I	2339205	48.11	
939	Stabilizer RH	1U2655	0-2	1U2653	4.000	2.000	I	2406899	42.77
	Stabilizer RH	1U2655	3-up	1U2653	4.000	2.000	I	2339205	48.11
	Tilt	4T0963	0-up		3.250	1.750	I	2401671	51.17
	Bucket	3G7365	0-up		3.500	1.500	I	2465914	76.45
	Lift	1052808	2-5	1052887	4.000	2.000	I	2339205	48.11
	Lift	1052886	2-5	1052885	4.000	2.000	I	2339205	48.11
	Lift LH	1052808	0-up	1052887	4.000	2.000	I	2339205	48.11
	Lift RH	1052886	0-up	1052885	4.000	2.000	I	2339205	48.11
	Ripper	7J9920	0-7		4.000	2.000	I	2406899	42.77
	Ripper	7J9920	8-up	7J9765	4.000	2.000	I	2339205	48.11
	Tilt	1012518	0-up	1012519	4.000	2.000	I	2339205	48.11
Tilt	1363129	0-up	1363167	4.000	2.000	I	2339205	48.11	

INDUSTRIAL
SEAL KITS

MOBILE
SEAL KITS



CATERPILLAR

All manufacturer's names, part numbers and descriptions are used for reference purposes only. We do not imply that any part shown is the product of these manufacturers.

Remsa [KITS]

TRACK LOADER

CATERPILLAR

Model	Application	Cylinder Group	Engineering Design Change Level	Cylinder Assembly Part No.	Bore	Rod	I	Ref. Number RCAT-	\$
							M		
939C	Bucket	1494362	0-up	1496067	4.000	2.000	I	2339205	48.11
	Lift	1412422	0-up	1418995	4.500	2.500	I	2310898	143.32
	Ripper	7J9920	0-7		4.000	2.000	I	2406899	42.77
	Ripper	7J9920	8-up	7J9765	4.000	2.000	I	2339205	48.11
	Tilt	1214264	0-up	1418962	4.000	2.000	I	2401881	45.15
941	Bucket	7J6789	0-up	7J6676	4.000	2.000	I	2406899	42.77
	Bucket	8J5663	0-up	8J5664	4.000	2.000	I	2406899	42.77
	Bucket	8J5670	0-2	8J5671	4.000	2.000	I	2378277	109.50
	Bucket LH	6J2806	0-up	6J3640	4.000	2.000	I	2406899	42.77
	Bucket RH	6J2805	0-up	6J3639	4.000	2.000	I	2406899	42.77
	Lift	6J3081	0-2	6J3355	4.000	2.250	I	2410901	73.48
	Lift	6J3082	0-up	6J3356	4.000	2.250	I	2410901	73.48
	Lift LH	7J9862	0-up	7J9858	4.000	2.250	I	2410901	73.48
	Lift LH	9J5726	0-up	9J5880	4.000	2.250	I	2410901	73.48
	Lift RH	6J3081	2-up	6J3355	4.000	2.250	I	2410901	73.48
	Lift RH	7J9861	0-up	7J9857	4.000	2.250	I	2410901	73.48
	Lift RH	9J5725	0-up	9J6528	4.000	2.250	I	2410901	73.48
	Ripper	6J3308	0-up		5.500	2.500	I	2430381	74.84
	Tilt	3G8085	0-up	3G8084	4.000	2.375	I	2418925	65.77
	Tilt LH	5J8028	2-up	5J8026	4.000	2.375	I	2418925	65.77
	Tilt LH	7J9750	0-up	7J9752	4.000	2.375	I	2418925	65.77
	Tilt RH	7J9749	0-up	7J9751	4.000	2.375	I	2418925	65.77
	Tilt RH	8J5937	0-up	7J9752	4.000	2.375	I	2418925	65.77
941B	Bucket	7J6789	0-up	7J6676	4.000	2.000	I	2406899	42.77
	Bucket	8J5663	0-up	8J5664	4.000	2.000	I	2406899	42.77
	Bucket	8J5670	0-2	8J5671	4.000	2.000	I	2378277	109.50
	Bucket LH	6J2806	0-up	6J3640	4.000	2.000	I	2406899	42.77
	Bucket RH	6J2805	0-up	6J3639	4.000	2.000	I	2406899	42.77
	Lift	6J3081	0-2	6J3355	4.000	2.250	I	2410901	73.48
	Lift	6J3082	0-up	6J3356	4.000	2.250	I	2410901	73.48
	Lift LH	7J9862	0-up	7J9858	4.000	2.250	I	2410901	73.48
	Lift LH	9J5726	0-up	9J5880	4.000	2.250	I	2410901	73.48
	Lift RH	6J3081	2-up	6J3355	4.000	2.250	I	2410901	73.48
	Lift RH	7J9861	0-up	7J9857	4.000	2.250	I	2410901	73.48
	Lift RH	9J5725	0-up	9J6528	4.000	2.250	I	2410901	73.48
	Ripper	6J3308	0-up		5.500	2.500	I	2430381	74.84
	Tilt	3G8085	0-up	3G8084	4.000	2.375	I	2418925	65.77
	Tilt LH	5J8028	2-up	5J8026	4.000	2.375	I	2418925	65.77
	Tilt LH	7J9750	0-up	7J9752	4.000	2.375	I	2418925	65.77
	Tilt RH	7J9749	0-up	7J9751	4.000	2.375	I	2418925	65.77
	Tilt RH	8J5937	0-up	7J9752	4.000	2.375	I	2418925	65.77
943	Bucket	4T9387	0	4T9386	4.000	2.000	I	2406899	42.77
	Bucket	4T9387	1-up	4T9386	4.000	2.000	I	2339205	48.11
	Bucket	9J4892	0-up		4.000	2.000	I	2406899	42.77
	Lift	4T1963	0-1	4T1964	4.000	2.250	I	2410899	84.60

All manufacturer's names, part numbers and descriptions are used for reference purposes only. We do not imply that any part shown is the product of these manufacturers.

INDUSTRIAL SEAL KITS

MOBILE SEAL KITS



CATERPILLAR

CATERPILLAR

TRACK LOADER

Model	Application	Cylinder Group	Engineering Design Change Level	Cylinder Assembly Part No.	Bore	Rod	I	Ref. Number RCAT-	\$
							M		
943B	Lift	4T1963	2-up	4T1964	4.000	2.250	I	2419297	136.23
	Lift	9J0532	6-10	9J0533	4.000	2.250	I	2410899	84.60
	Lift	9J0532	11-up	9J0533	4.000	2.250	I	2419297	136.23
	Ripper	3G1296	0-5	3G1292	4.000	2.000	I	2406899	42.77
	Ripper	3G1296	6-up	3G1292	4.000	2.000	I	2339205	48.11
	Tilt	1U4802	0-1	1U4801	4.750	2.500	I	2285271	124.37
	Tilt	1U4802	2-up	1U4801	4.750	2.500	I	2435800	122.62
	Tilt	3G4653	1-4	3G4652	4.750	2.500	I	2285271	124.37
	Tilt	3G4653	5-up	3G4652	4.750	2.500	I	2435800	122.62
	Bucket	4T9387	0	4T9386	4.000	2.000	I	2406899	42.77
Bucket	4T9387	1-up	4T9386	4.000	2.000	I	2339205	48.11	
951B	Lift	9T3623	0-up	9T3622	4.000	2.250	I	2342591	51.76
	Ripper	3G1296	0-5	3G1292	4.000	2.000	I	2406899	42.77
	Ripper	3G1296	6-up	3G1292	4.000	2.000	I	2339205	48.11
	Tilt	6E0257	0-up	6E0258	4.750	2.500	I	2285272	146.02
	Tilt	9T8623	0-up	1U4801	4.750	2.500	I	2435800	122.62
	Bucket	7J6789	0-up	7J6676	4.000	2.000	I	2406899	42.77
	Bucket	8J5663	0-up	8J5664	4.000	2.000	I	2406899	42.77
	Bucket	8J5670	0-2	8J5671	4.000	2.000	I	2378277	109.50
	Bucket LH	6J2806	0-up	6J3640	4.000	2.000	I	2406899	42.77
	Bucket RH	6J2805	0-up	6J3639	4.000	2.000	I	2406899	42.77
Lift LH	6J4014	1-up	6J4012	4.250	2.250	I	2410898	91.68	
951C	Lift LH	7J9822	0-up	7J9820	4.250	2.250	I	2410898	91.68
	Lift LH	9J5728	0-up	9J6527	4.250	2.250	I	2410898	91.68
	Lift RH	6J4013	1-up	6J4011	4.250	2.250	I	2410898	91.68
	Lift RH	7J9821	0-up	7J9819	4.250	2.250	I	2410898	91.68
	Lift RH	9J5727	0-up	9J6526	4.250	2.250	I	2410898	91.68
	Ripper	6J3308	0-up		5.500	2.500	I	2430381	74.84
	Tilt LH	3G8083	0-up	3G8082	4.250	2.500	I	2535204	42.97
	Tilt LH	5J9815	4-up	5J9813	4.250	2.500	I	2535204	42.97
	Tilt LH	5J9816	4-up	5J9814	4.250	2.500	I	2535204	42.97
	Tilt LH	7J9834	0-up	7J9832	4.250	2.500	I	2535204	42.97
Tilt RH	7J9833	0-up	7J9831	4.250	2.500	I	2535204	42.97	
Tilt RH	8J5939	0-up	7J9832	4.250	2.500	I	2535204	42.97	
951C	Bucket	7J6789	0-up	7J6676	4.000	2.000	I	2406899	42.77
	Bucket	8J5663	0-up	8J5664	4.000	2.000	I	2406899	42.77
	Bucket	8J5670	0-2	8J5671	4.000	2.000	I	2378277	109.50
	Bucket LH	6J2806	0-up	6J3640	4.000	2.000	I	2406899	42.77
	Bucket RH	6J2805	0-up	6J3639	4.000	2.000	I	2406899	42.77
	Lift LH	6J4014	1-up	6J4012	4.250	2.250	I	2410898	91.68
	Lift LH	7J9822	0-up	7J9820	4.250	2.250	I	2410898	91.68
	Lift LH	9J5728	0-up	9J6527	4.250	2.250	I	2410898	91.68
	Lift RH	6J4013	1-up	6J4011	4.250	2.250	I	2410898	91.68
	Lift RH	7J9821	0-up	7J9819	4.250	2.250	I	2410898	91.68
Lift RH	9J5727	0-up	9J6526	4.250	2.250	I	2410898	91.68	

All manufacturer's names, part numbers and descriptions are used for reference purposes only. We do not imply that any part shown is the product of these manufacturers.

INDUSTRIAL SEAL KITS

MOBILE SEAL KITS



CATERPILLAR

Remsa [KITS]

TRACK LOADER

CATERPILLAR

Model	Application	Cylinder Group	Engineering Design Change Level	Cylinder Assembly Part No.	Bore	Rod	I	Ref. Number RCAT-	\$
							M		
953	Ripper	6J3308	0-up		5.500	2.500	I	2430381	74.84
	Tilt LH	3G8083	0-up	3G8082	4.250	2.500	I	2535204	42.97
	Tilt LH	5J9815	4-up	5J9813	4.250	2.500	I	2535204	42.97
	Tilt LH	5J9816	4-up	5J9814	4.250	2.500	I	2535204	42.97
	Tilt LH	7J9834	0-up	7J9832	4.250	2.500	I	2535204	42.97
	Tilt RH	7J9833	0-up	7J9831	4.250	2.500	I	2535204	42.97
	Tilt RH	8J5939	0-up	7J9832	4.250	2.500	I	2535204	42.97
	Bucket	4T9387	0	4T9386	4.000	2.000	I	2406899	42.77
Bucket	4T9387	1-up	4T9386	4.000	2.000	I	2339205	48.11	
Bucket	9J4892	0-up		4.000	2.000	I	2406899	42.77	
Lift	3G0717	4-up	4T0262	4.750	2.500	I	2285271	124.37	
Lift	4T0263	0-1	4T0262	4.750	2.500	I	2285271	124.37	
Lift	4T0263	4-up	4T0262	4.750	2.500	I	2285272	146.02	
Lift	4T2098	0-2	4T2099	4.750	2.500	I	2285271	124.37	
Lift	4T2098	3-up	4T2099	4.750	2.500	I	2285272	146.02	
Lift	9T3625	0-4	9T3624	4.750	2.500	I	2430398	124.02	
Lift	9T3625	5-up	9T3624	4.750	2.500	I	2341948	149.11	
Ripper	3G1296	0-5	3G1292	4.000	2.000	I	2406899	42.77	
Ripper	3G1296	6-up	3G1292	4.000	2.000	I	2339205	48.11	
Side Dump	9T0107	0-1	9T0204	4.000	2.000	I	2406899	42.77	
Side Dump	9T0107	2-up	9T0204	4.000	2.000	I	2339205	48.11	
Tilt	1U0418	0-6	1U0539	5.500	3.000	I	2440979	181.94	
Tilt	1U0418	7-up	1U0539	5.500	3.000	I	2440978	182.39	
953B	Bucket	4T9387	0	4T9386	4.000	2.000	I	2406899	42.77
	Bucket	4T9387	1-up	4T9386	4.000	2.000	I	2339205	48.11
	Lift	9T3625	0-4	9T3624	4.750	2.500	I	2430398	124.02
	Lift	9T3625	5-up	9T3624	4.750	2.500	I	2341948	149.11
	Ripper	3G1296	0-5	3G1292	4.000	2.000	I	2406899	42.77
	Ripper	3G1296	6-up	3G1292	4.000	2.000	I	2339205	48.11
	Tilt	1U0418	0-6	1U0539	5.500	3.000	I	2440979	181.94
	Tilt	1U0418	7-up	1U0539	5.500	3.000	I	2440978	182.39
953C	Bucket	4T9387	0	4T9386	4.000	2.000	I	2406899	42.77
	Bucket	4T9387	1-up	4T9386	4.000	2.000	I	2339205	48.11
	Lift	9T3625	0-4	9T3624	4.750	2.500	I	2430398	124.02
	Lift	9T3625	5-up	9T3624	4.750	2.500	I	2341948	149.11
	Ripper	3G1296	0-5	3G1292	4.000	2.000	I	2406899	42.77
	Ripper	3G1296	6-up	3G1292	4.000	2.000	I	2339205	48.11
	Ripper	3G1305	6-up	3G1292	4.000	2.000	I	2339205	48.11
	Tilt	1U0418	0-6	1U0539	5.500	3.000	I	2440979	181.94
Tilt	1U0418	7-up	1U0539	5.500	3.000	I	2440978	182.39	
955C	Bucket	7Y5100	0-up	4I1620	130.00	85.00	M	2465937	286.59
	N/A	8J5676	0-up	8J5678	5.000	2.000	I	2384487	136.20

All manufacturer's names, part numbers and descriptions are used for reference purposes only. We do not imply that any part shown is the product of these manufacturers.

INDUSTRIAL SEAL KITS

MOBILE SEAL KITS



CATERPILLAR

KITS 206

CATERPILLAR

TRACK LOADER

Model	Application	Cylinder Group	Engineering Design Change Level	Cylinder Assembly Part No.	Bore	Rod	I M	Ref. Number RCAT-	\$
955E	Bucket	7Y5100	0-up	4I1620	130.00	85.00	M	2465937	286.59
	Log Fork RH	8J5676	0-up	8J5678	5.000	2.000	I	2384487	136.20
955H	Ripper	6J3308	0-up		5.500	2.500	I	2430381	74.84
	Tilt LH	2K3744	0-up	2K3738	5.000	2.000	I	2384487	136.20
	Tilt RH	2K3743	0-up	2K3737	5.000	2.000	I	2384487	136.20
955K	Bucket LH	8J5704	0-2	8J5706	4.500	2.000	I	2386882	78.49
	Bucket LH	8J5704	3-up	8J5706	4.500	2.000	I	2409936	59.83
	Bucket RH	8J5703	0-3	8J5705	4.500	2.000	I	2386882	78.49
	Bucket RH	8J5703	4-up	8J5705	4.500	2.000	I	2409936	59.83
	Clamp	8J8498	0-2	8J8495	4.500	2.000	I	2386882	78.49
	Clamp	8J8498	3-up	8J8495	4.500	2.000	I	2409936	59.83
	Lift	5J6342	0-up	5J6341	5.500	2.500	I	2430381	74.84
	Lift	7J1730	0-up	5J6341	5.500	2.500	I	2430383	86.70
	Lift	7J9640	0-up	5J6341	5.500	2.500	I	2430383	86.70
	Lift LH	9J2399	0-2	9J2402	5.500	2.500	I	2430383	86.70
	Lift LH	9J2399	3-up	9J2402	5.500	2.500	I	2430381	74.84
	Lift RH	9J2401	0-2	9J2403	5.500	2.500	I	2430383	86.70
	Lift RH	9J2401	3-up	9J2403	5.500	2.500	I	2430381	74.84
	Ripper	5J8190	2-5	5J8189	5.500	2.500	I	2430381	74.84
	Ripper	5J8190	6-up	5J8189	5.500	2.500	I	2430381	74.84
	Tilt	3G8081	0-1	3G8080	5.000	2.500	I	2430386	157.63
	Tilt	3G8081	2-up	3G8080	5.000	2.500	I	2422542	160.90
	Tilt LH	5J6214	0-up	5J6212	5.000	2.500	I	2430384	153.34
	Tilt LH	7J9638	0-4	7J9636	5.000	2.500	I	2430384	153.34
	Tilt LH	7J9638	5-up	7J9636	5.000	2.500	I	2422542	160.90
	Tilt RH	5J6213	0-up	5J6211	5.000	2.500	I	2430384	153.34
	Tilt RH	7J9637	5	7J9635	5.000	2.500	I	2430386	157.63
	Tilt RH	7J9637	6-up	7J9635	5.000	2.500	I	2422542	160.90
955L	Bucket LH	8J5704	0-2	8J5706	4.500	2.000	I	2386882	78.49
	Bucket LH	8J5704	3-up	8J5706	4.500	2.000	I	2409936	59.83
	Bucket RH	8J5703	0-3	8J5705	4.500	2.000	I	2386882	78.49
	Bucket RH	8J5703	4-up	8J5705	4.500	2.000	I	2409936	59.83
	Clamp	8J8498	0-2	8J8495	4.500	2.000	I	2386882	78.49
	Clamp	8J8498	3-up	8J8495	4.500	2.000	I	2409936	59.83
	Lift	5J6342	0-up	5J6341	5.500	2.500	I	2430381	74.84
	Lift	7J1730	0-up	5J6341	5.500	2.500	I	2430383	86.70
	Lift	7J9640	0-up	5J6341	5.500	2.500	I	2430383	86.70
	Lift LH	9J2399	0-2	9J2402	5.500	2.500	I	2430383	86.70
	Lift LH	9J2399	3-up	9J2402	5.500	2.500	I	2430381	74.84
	Lift RH	9J2401	0-2	9J2403	5.500	2.500	I	2430383	86.70
	Lift RH	9J2401	3-up	9J2403	5.500	2.500	I	2430381	74.84
	Ripper	5J8190	2-5	5J8189	5.500	2.500	I	2430381	74.84
	Ripper	5J8190	6-up	5J8189	5.500	2.500	I	2430381	74.84
	Tilt	3G8081	0-1	3G8080	5.000	2.500	I	2430386	157.63
	Tilt	3G8081	2-up	3G8080	5.000	2.500	I	2422542	160.90

All manufacturer's names, part numbers and descriptions are used for reference purposes only. We do not imply that any part shown is the product of these manufacturers.

INDUSTRIAL
SEAL KITS

MOBILE
SEAL KITS



CATERPILLAR

CATERPILLAR

TRACK LOADER

Model	Application	Cylinder Group	Engineering Design Change Level	Cylinder Assembly Part No.	Bore	Rod	I	Ref. Number RCAT-	\$	
							M			
973C	Bucket	9J1822	0	9J2050	5.000	2.000	I	2408479	56.83	
	Bucket	9J1822	1-up	9J2050	5.000	2.000	I	2406883	89.89	
	Ripper	4T7606	0	4T7504	5.000	2.500	I	2430386	157.63	
	Ripper	4T7606	1-up	4T7504	5.000	2.500	I	2422542	160.90	
	Tilt	3G5949	8-up	3G5948	5.500	3.250	I	2450612	74.26	
977K	Bucket	8J5761	0-2	8J5762	5.500	2.500	I	2430381	74.84	
	Bucket	8J5761	3-up	8J5762	5.500	2.500	I	2430381	74.84	
	Bucket	9J1822	0	9J2050	5.000	2.000	I	2408479	56.83	
	Bucket	9J1822	1-up	9J2050	5.000	2.000	I	2406883	89.89	
	Lift	7J9375	0-4	7J9641	6.500	2.750	I	2440962	107.85	
	Lift	7J9375	5-6	7J9641	6.500	2.750	I	2435816	171.89	
	Lift	7J9375	7-up	7J9641	6.500	2.750	I	2435812	96.75	
	Lift	7J9376	0-4	7J9642	6.500	2.750	I	2440962	107.85	
	Lift	7J9376	5-6	7J9642	6.500	2.750	I	2435816	171.89	
	Lift	7J9376	7-up	7J9642	6.500	2.750	I	2435812	96.75	
	Lift LH	3G8118	0-up	7J9642	6.500	2.750	I	8T1554	115.69	
	Lift LH	7J9376	0-4	7J9642	6.500	2.750	I	2440962	107.85	
	Lift LH	7J9376	5-6	7J9642	6.500	2.750	I	2435816	171.89	
	Lift LH	7J9376	7-up	7J9642	6.500	2.750	I	2435812	96.75	
	Lift RH	3G8119	0-up	7J9641	6.500	2.750	I	8T1554	115.69	
	Lift RH	7J9375	0-4	7J9641	6.500	2.750	I	2440962	107.85	
	Lift RH	7J9375	5-6	7J9641	6.500	2.750	I	2435816	171.89	
	Lift RH	7J9375	7-up	7J9641	6.500	2.750	I	2435812	96.75	
		Log Fork	8J5755	0-up	8J5756	5.000	2.250	I	2410895	130.11
		Ripper	5J7686	0-5	5J7681	6.500	2.500	I	2435796	130.61
Ripper		5J7686	6-up	5J7681	6.500	2.500	I	2422549	171.65	
Side Dump		5J9893	0-up	5J9892	5.000	2.500	I	2430386	157.63	
Tilt Bucket LH		8J5740	0-1	8J5742	5.000	2.000	I	2408479	56.83	
Tilt Bucket LH		8J5740	2-up	8J5742	5.000	2.000	I	2406883	89.89	
Tilt Bucket RH		8J5739	0-1	8J5741	5.000	2.000	I	2408479	56.83	
Tilt Bucket RH		8J5739	2-up	8J5741	5.000	2.000	I	2406883	89.89	
Tilt LH		9J0670	2-up	9J0669	6.000	2.790	I	8T1553	94.87	
Tilt LH		9J0673	0-up	9J0669	6.000	2.750	I	2440961	137.35	
Tilt RH		9J0671	0-up	9J0668	6.000	2.790	I	8T1553	94.87	
Tilt RH		9J0672	0-up	9J0668	6.000	2.750	I	2440961	137.35	
977L		Bucket	8J5761	0-2	8J5762	5.500	2.500	I	2430381	74.84
	Bucket	8J5761	3-up	8J5762	5.500	2.500	I	2430381	74.84	
	Bucket	9J1822	0	9J2050	5.000	2.000	I	2408479	56.83	
	Bucket	9J1822	1-up	9J2050	5.000	2.000	I	2406883	89.89	
	Lift	7J9375	0-4	7J9641	6.500	2.750	I	2440962	107.85	
	Lift	7J9375	5-6	7J9641	6.500	2.750	I	2435816	171.89	
	Lift	7J9375	7-up	7J9641	6.500	2.750	I	2435812	96.75	
	Lift	7J9376	0-4	7J9642	6.500	2.750	I	2440962	107.85	
	Lift	7J9376	5-6	7J9642	6.500	2.750	I	2435816	171.89	
	Lift	7J9376	7-up	7J9642	6.500	2.750	I	2435812	96.75	
	Lift LH	3G8118	0-up	7J9642	6.500	2.750	I	8T1554	115.69	

INDUSTRIAL SEAL KITS

MOBILE SEAL KITS



CATERPILLAR

All manufacturer's names, part numbers and descriptions are used for reference purposes only. We do not imply that any part shown is the product of these manufacturers.

Remsa [KITS]

TRACK TYPE TRACTOR

CATERPILLAR

Model	Application	Cylinder Group	Engineering Design Change Level	Cylinder Assembly Part No.	Bore	Rod	I	Ref. Number RCAT-	\$
							M		
	Lift LH	7J9376	0-4	7J9642	6.500	2.750	I	2440962	107.85
	Lift LH	7J9376	5-6	7J9642	6.500	2.750	I	2435816	171.89
	Lift LH	7J9376	7-up	7J9642	6.500	2.750	I	2435812	96.75
	Lift RH	3G8119	0-up	7J9641	6.500	2.750	I	8T1554	115.69
	Lift RH	7J9375	0-4	7J9641	6.500	2.750	I	2440962	107.85
	Lift RH	7J9375	5-6	7J9641	6.500	2.750	I	2435816	171.89
	Lift RH	7J9375	7-up	7J9641	6.500	2.750	I	2435812	96.75
	Log Fork	8J5755	0-up	8J5756	5.000	2.250	I	2410895	130.11
	Ripper	5J7686	0-5	5J7681	6.500	2.500	I	2435796	130.61
	Ripper	5J7686	6-up	5J7681	6.500	2.500	I	2422549	171.65
	Side Dump	5J9893	0-up	5J9892	5.000	2.500	I	2430386	157.63
	Tilt Bucket LH	8J5740	0-1	8J5742	5.000	2.000	I	2408479	56.83
	Tilt Bucket LH	8J5740	2-up	8J5742	5.000	2.000	I	2406883	89.89
	Tilt Bucket RH	8J5739	0-1	8J5741	5.000	2.000	I	2408479	56.83
	Tilt Bucket RH	8J5739	2-up	8J5741	5.000	2.000	I	2406883	89.89
	Tilt LH	9J0670	2-up	9J0669	6.000	2.790	I	8T1553	94.87
	Tilt LH	9J0673	0-up	9J0669	6.000	2.750	I	2440961	137.35
	Tilt RH	9J0671	0-up	9J0668	6.000	2.790	I	8T1553	94.87
	Tilt RH	9J0672	0-up	9J0668	6.000	2.750	I	2440961	137.35
983	Bucket Clamp	8J5772	0-3	8J5773	6.000	2.500	I	2422558	219.28
	Bucket Clamp	8J5772	5-up	8J5773	6.000	2.500	I	2422550	187.33

All manufacturer's names, part numbers and descriptions are used for reference purposes only. We do not imply that any part shown is the product of these manufacturers.

INDUSTRIAL SEAL KITS

MOBILE SEAL KITS



CATERPILLAR

CATERPILLAR

TRACK TYPE TRACTOR

Model	Application	Cylinder Group	Engineering Design Change Level	Cylinder Assembly Part No.	Bore	Rod	I	Ref. Number RCAT-	\$
							M		
D2	N/A	4H6711	14-up	4H6724	4.000	1.250	I	2456815	66.30
D3	Ripper	7J9920	0-8		4.000	2.000	I	2406899	42.77
	Ripper	7J9920	8-up	7J9765	4.000	2.000	I	2339205	48.11
D3B	Angling	9J8698	0-3	9J8760	3.500	1.500	I	2465914	76.45
	Angling	9J8698	4-up	9J8760	3.500	1.500	I	2465917	120.77
	Backhoe Boom/Bucket	3G5767	0-5	3G5768	4.500	2.250	I	2410897	86.23
	Backhoe Boom/Bucket	3G5767	6-up	3G5768	4.500	2.250	I	2417584	120.35
	Backhoe Boom/Bucket	3G5905	0-4	3G5904	3.500	2.250	I	2410903	72.30
	Backhoe Boom/Bucket	3G5905	5-up	3G5904	3.500	2.250	I	2418916	137.45
	Backhoe Stick/Blade Shift	3G5771	0-3	3G5772	4.000	2.000	I	2406899	42.77
	Backhoe Stick/Blade Shift	3G5771	4-up	3G5772	4.000	2.000	I	2339205	48.11
	Lift	7J9223	0-7	7J9222	3.500	1.500	I	2465914	76.45
	Lift	7J9223	8-up	7J9222	3.500	1.500	I	2465917	120.77
	Lift	8J6894	0-up		3.500	1.500	I	2465914	76.45
	Lift	9T6652	0-up	9T6653	3.500	1.500	I	2465917	120.77
	Ripper	7J9920	0-8		4.000	2.000	I	2406899	42.77
	Ripper	7J9920	8-up	7J9765	4.000	2.000	I	2339205	48.11
	Stabilizer	3G6792	0-up		3.500	1.500	I	2465914	76.45
	Stabilizer LH	1U2656	0-2	1U2654	4.000	2.000	I	2406899	42.77
	Stabilizer LH	1U2656	3-up	1U2654	4.000	2.000	I	2339205	48.11
	Stabilizer RH	1U2655	0-2	1U2653	4.000	2.000	I	2406899	42.77
	Stabilizer RH	1U2655	3-up	1U2653	4.000	2.000	I	2339205	48.11
	Tilt	8J0095	1-up	8J0093	3.500	1.500	I	2465914	76.45
	Tilt	8J6893	0-4	8J7357	4.000	2.000	I	2406899	42.77
	Tilt	8J6893	5-up	8J7357	4.000	2.000	I	2339205	48.11
	Tilt	9J4042	1-up	9J4133	3.500	1.500	I	2465914	76.45
	Tilt	9J8674	0-2	9J9294	3.500	1.500	I	2465914	76.45
	Tilt	9J8674	3-up	9J9294	3.500	1.500	I	2465917	120.77
D3C	Angling	1026237	0-up	1019239	3.500	1.500	I	2465917	120.77
	Angling	1363155	0-up	1363943	3.500	1.500	I	2465917	120.77
	Angling	1363156	0-up	1363944	3.500	1.500	I	2465917	120.77
	Angling	1386859	0-up	1390551	3.000	1.500	I	2465913	51.33
	Angling	1390548	0-up	1390552	3.000	1.500	I	2465913	51.33
	Angling	9J8698	0-3	9J8760	3.500	1.500	I	2465914	76.45
	Angling	9J8698	4-up	9J8760	3.500	1.500	I	2465917	120.77
	Lift	1412915	0-up	1412917	3.500	1.500	I	2465917	120.77
	Lift	7J9223	0-7	7J9222	3.500	1.500	I	2465914	76.45
	Lift	7J9223	8-up	7J9222	3.500	1.500	I	2465917	120.77
	Lift	8J6894	0-up		3.500	1.500	I	2465914	76.45
	Ripper	7J9920	0-7		4.000	2.000	I	2406899	42.77
	Ripper	7J9920	8-up	7J9765	4.000	2.000	I	2339205	48.11
	Tilt	1437219	0-up	1437220	3.500	1.500	I	2465917	120.77
	Tilt	8J0095	1-up	8J0093	3.500	1.500	I	2465914	76.45
	Tilt	8J6893	0-4	8J7357	4.000	2.000	I	2406899	42.77
	Tilt	8J6893	5-up	8J7357	4.000	2.000	I	2339205	48.11

All manufacturer's names, part numbers and descriptions are used for reference purposes only. We do not imply that any part shown is the product of these manufacturers.

TRACK TYPE TRACTOR

CATERPILLAR

Model	Application	Cylinder Group	Engineering Design Change Level	Cylinder Assembly Part No.	Bore	Rod	I	Ref. Number RCAT-	\$
							M		
D4B	Tilt	9J4042	1-up	9J4133	3.500	1.500	I	2465914	76.45
	Tilt	9J8674	0-2	9J9294	3.500	1.500	I	2465914	76.45
	Tilt	9J8674	3-up	9J9294	3.500	1.500	I	2465917	120.77
	Angling	9J8698	0-3	9J8760	3.500	1.500	I	2465914	76.45
	Angling	9J8698	4-up	9J8760	3.500	1.500	I	2465917	120.77
	Backhoe Boom/Bucket	3G5767	0-5	3G5768	4.500	2.250	I	2410897	86.23
	Backhoe Boom/Bucket	3G5767	6-up	3G5768	4.500	2.250	I	2417584	120.35
	Backhoe Boom/Bucket	3G5905	0-4	3G5904	3.500	2.250	I	2410903	72.30
	Backhoe Boom/Bucket	3G5905	5-up	3G5904	3.500	2.250	I	2418916	137.45
	Backhoe Stick/Blade Shift	3G5771	0-3	3G5772	4.000	2.000	I	2406899	42.77
Backhoe Stick/Blade Shift	3G5771	4-up	3G5772	4.000	2.000	I	2339205	48.11	
	Lift	7J9223	0-7	7J9222	3.500	1.500	I	2465914	76.45
	Lift	7J9223	8-up	7J9222	3.500	1.500	I	2465917	120.77
	Lift	9T6652	0-up	9T6653	3.500	1.500	I	2465917	120.77
	Ripper	7J9920	0-7		4.000	2.000	I	2406899	42.77
	Ripper	7J9920	8-up	7J9765	4.000	2.000	I	2339205	48.11
	Stabilizer	3G6792	0-up		3.500	1.500	I	2465914	76.45
	Stabilizer LH	1U2656	0-2	1U2654	4.000	2.000	I	2406899	42.77
	Stabilizer LH	1U2656	3-up	1U2654	4.000	2.000	I	2339205	48.11
	Stabilizer RH	1U2655	0-2	1U2653	4.000	2.000	I	2406899	42.77
	Stabilizer RH	1U2655	3-up	1U2653	4.000	2.000	I	2339205	48.11
	Tilt	9J8674	0-2	9J9294	3.500	1.500	I	2465914	76.45
	Tilt	9J8674	3-up	9J9294	3.500	1.500	I	2465917	120.77
D4C	Angling	1363156	0-up	1363944	3.500	1.500	I	2465917	120.77
	Angling	1390548	0-up	1390552	3.000	1.500	I	2465913	51.33
	Angling	9J8698	0-3	9J8760	3.500	1.500	I	2465914	76.45
	Angling	9J8698	4-up	9J8760	3.500	1.500	I	2465917	120.77
	Lift	1412915	0-up	1412917	3.500	1.500	I	2465917	120.77
	Lift	7J9223	0-7	7J9222	3.500	1.500	I	2465914	76.45
	Lift	7J9223	8-up	7J9222	3.500	1.500	I	2465917	120.77
	Ripper	7J9920	0-8		4.000	2.000	I	2406899	42.77
	Ripper	7J9920	8-up	7J9765	4.000	2.000	I	2339205	48.11
	Tilt	1437219	0-up	1437220	3.500	1.500	I	2465917	120.77
Tilt	9J8674	0-2	9J9294	3.500	1.500	I	2465914	76.45	
D4D	Tilt	9J8674	3-up	9J9294	3.500	1.500	I	2465917	120.77
	Dozer	4J4890	0-up	4J4848	3.500	2.000	I	2408515	97.23
	Dozer	4J4891	0-up	4J4848	3.500	2.000	I	2408515	97.23
	Dozer	4T4575	0-up	4T4576	3.500	2.000	I	2386859	110.77
	Pin Puller Ripper	4H6711	14-up	4H6724	4.000	1.250	I	2456815	66.30
	Ripper	6J3308	0-up		5.500	2.500	I	2430381	74.84
	Tilt	5J1603	0-1	5J1601	4.750	2.000	I	2410108	93.79

All manufacturer's names, part numbers and descriptions are used for reference purposes only. We do not imply that any part shown is the product of these manufacturers.

INDUSTRIAL SEAL KITS

MOBILE SEAL KITS



CATERPILLAR

CATERPILLAR

TRACK TYPE TRACTOR

INDUSTRIAL
SEAL KITS

MOBILE
SEAL KITS



CATERPILLAR

Model	Application	Cylinder Group	Engineering Design Change Level	Cylinder Assembly Part No.	Bore	Rod	I	Ref. Number RCAT-	\$
							M		
D4E	Dozer	4T4574	0-up	4T4576	3.500	2.000	I	2386859	110.77
	Dozer	4T4575	0-up	4T4576	3.500	2.000	I	2386859	110.77
	Pin Puller Ripper	4H6711	14-up	4H6724	4.000	1.250	I	2456815	66.30
	Ripper	3G5189	0	3G5188	5.000	2.500	I	2430386	157.63
	Ripper	3G5189	1-up	3G5188	5.000	2.500	I	2422542	160.90
	Ripper	6J3308	0-up		5.500	2.500	I	2430381	74.84
D4H	Tilt	5J1603	0-up	5J1601	4.750	2.000	I	2410108	93.79
	Angling	1006174	0-up	1004536	3.500	1.750	I	2401881	45.15
	Angling	4T1683	0-2	4T1682	3.500	1.750	I	2401661	63.68
	Angling	4T1683	3-up	4T1682	3.500	1.750	I	2401881	45.15
	Angling	9T9247	0-up	4T1682	3.500	1.750	I	2401881	45.15
	Lift	3G9226	7-up	9T8422	4.250	2.000	I	2408523	84.24
	Lift	4T4783	1-up	4T4782	3.750	2.250	I	2410900	60.82
	Lift	8J6894	0-up		3.500	1.500	I	2465914	76.45
	Ripper	3G9892	0-2	1U0399	4.000	2.000	I	2406899	42.77
	Ripper	3G9892	3-up	1U0399	4.000	2.000	I	2339205	48.11
	Tilt	1U2568	3-up	1U2569	4.250	2.000	I	2408523	84.24
	Tilt	4T1063	0-3	4T1062	4.250	2.000	I	2384501	35.36
	Tilt	4T1063	4-up	4T1062	4.250	2.000	I	2409939	108.46
	Tilt	9T8760	0-up	9T8759	4.250	2.000	I	2409939	108.46
	Tilt	9T9557	0-up	9T9562	4.250	2.000	I	2409939	108.46
	D4TSKH	Angling	1006174	0-up	1004536	3.500	1.750	I	2401881
Angling		9T6247	3-up	1125532	3.500	1.750	I	2401881	45.15
Angling		9T9247	0-2	4T1682	3.500	1.750	I	2401881	45.15
Lift		6E0365	0-up	9T8422	4.250	2.000	I	2408523	84.24
Lift		6E0366	0-up	4T2099	4.750	2.500	I	2285272	146.02
Tilt		9T9557	0-up	9T9562	4.250	2.000	I	2409939	108.46
D5	Dozer	5J8174	0-up	5J8171	4.250	2.500	I	2422547	71.65
	Dozer	5J8176	0-up	5J8171	4.250	2.500	I	2422547	71.65
	Lift	7J7974	0-up	7J7975	4.000	1.500	I	2465910	70.09
	Lift	7J8299	0-12	7J8298	4.000	2.500	I	2422543	125.62
	Lift	7J8299	13-up	7J8298	4.000	2.500	I	2430391	123.38
	Lift	7J8302	0-12	7J8301	4.000	2.500	I	2422543	125.62
	Lift	7J8302	13-up	7J8301	4.000	2.500	I	2430391	123.38
	Ripper	8J1779	0-9	8J1778	7.250	2.500	I	2422544	145.00
	Ripper	8J1779	10-up	8J1778	7.250	2.500	I	2435799	155.02
D5B	Lift	7J7974	0-up	7J7975	4.000	1.500	I	2465910	70.09
	Lift	7J8299	0-12	7J8298	4.000	2.500	I	2422543	125.62
	Lift	7J8299	13-up	7J8298	4.000	2.500	I	2430391	123.38
	Lift	7J8302	0-12	7J8301	4.000	2.500	I	2422543	125.62
	Lift	7J8302	13-up	7J8301	4.000	2.500	I	2430391	123.38
	Ripper	8J1779	0-9	8J1778	7.250	2.500	I	2422544	145.00
	Ripper	8J1779	10-up	8J1778	7.250	2.500	I	2435799	155.02

All manufacturer's names, part numbers and descriptions are used for reference purposes only. We do not imply that any part shown is the product of these manufacturers.

Remsa [KITS]

TRACK TYPE TRACTOR

CATERPILLAR

Model	Application	Cylinder Group	Engineering Design Change Level	Cylinder Assembly Part No.	Bore	Rod	I	Ref. Number RCAT-	\$
							M		
D5C	Tilt	2J1402	0-22	6J0337	6.500	3.000	I	2442044	170.53
	Tilt	2J1402	23-up	6J0337	6.500	3.000	I	2440975	193.26
	Tilt	7J9695	0-up	7J9921	5.500	2.500	I	2430381	74.84
	Angling	1363156	0-up	1363944	3.500	1.500	I	2465917	120.77
	Angling	1390548	0-up	1390552	3.000	1.500	I	2465913	51.33
	Angling	9J8698	0-3	9J8760	3.500	1.500	I	2465914	76.45
	Angling	9J8698	4-up	9J8760	3.500	1.500	I	2465917	120.77
	Lift	1412915	0-up	1412917	3.500	1.500	I	2465917	120.77
	Lift	7J9223	0-7	7J9222	3.500	1.500	I	2465914	76.45
Lift	7J9223	8-up	7J9222	3.500	1.500	I	2465917	120.77	
Ripper	7J9920	0-7		4.000	2.000	I	2406899	42.77	
D5E	Ripper	7J9920	8-up	7J9765	4.000	2.000	I	2339205	48.11
	Tilt	1437219	0-up	1437220	3.500	1.500	I	2465917	120.77
	Tilt	9J8674	0-2	9J9294	3.500	1.500	I	2465914	76.45
	Tilt	9J8674	3-up	9J9294	3.500	1.500	I	2465917	120.77
	Ripper	8J1779	0-9	8J1778	7.250	2.500	I	2422544	145.00
D5H	Ripper	8J1779	10-up	8J1778	7.250	2.500	I	2435799	155.02
	Angling	4T1666	0-up	4T1665	4.000	2.000	I	2406899	42.77
	Angling	9T9273	0-8	4T1665	4.000	2.000	I	2339205	48.11
	Angling	9T9273	9-up	4T1665	4.000	2.000	I	2409538	59.15
Lift	1153524	0-up	1158218	3.750	2.250	I	2350969	127.56	
	Lift	1U1839	3-5	1U1838	3.750	2.250	I	2410900	60.82
	Lift	1U1839	6-up	1U1838	3.750	2.250	I	2465907	332.19
	Lift	1U1988	6-up	1U1838	3.750	2.250	I	2409941	106.63
	Lift	4T1089	0-2	4T1088	3.750	2.250	I	2410900	60.82
	Lift	4T1089	3-up	4T1088	3.750	2.250	I	2350969	127.56
	Lift	4T1659	0-4	4T1658	4.500	2.250	I	2410897	86.23
	Lift	4T1659	5-up	9T8425	4.500	2.250	I	2417584	120.35
	Lift	6E5400	0-up	6E5401	4.500	2.250	I	2417585	115.93
	Ripper	3G5909	0-2	3G6533	4.000	2.000	I	2406899	42.77
	Ripper	3G5909	3-up	3G6533	4.000	2.000	I	2339205	48.11
	Ripper	9T2716	0	9T2715	5.000	2.500	I	2430386	157.63
	Ripper	9T2716	1-up	9T2715	5.000	2.500	I	2422542	160.90
D5M	Tilt	1U3991	0-4	9T0934	6.500	3.000	I	2442044	170.53
	Tilt	1U3991	5-up	9T0934	6.500	3.000	I	2440980	142.02
	Tilt	4T1625	0-1	4T1626	4.750	2.250	I	2410902	77.51
	Tilt	4T1625	2-up	4T1626	4.750	2.250	I	2417580	118.35
	Tilt	4T2613	0-1	4T2629	5.000	2.500	I	2430386	157.63
	Tilt	4T2613	2-up	4T2629	5.000	2.500	I	2430387	142.57
	Angling	1061286	0-up	1061289	3.500	1.750	I	2401881	45.15
Angling	1378456	0-up	1061289	3.500	1.750	I	2401881	45.15	
Angling	1526482	0-up	1061289	3.500	1.750	I	2401881	45.15	
Lift	1059822	1-up	1059823	4.250	2.000	I	2409939	108.46	
Lift	1607610	0-up	1607611	4.750	2.500	I	2285272	146.02	

All manufacturer's names, part numbers and descriptions are used for reference purposes only. We do not imply that any part shown is the product of these manufacturers.

INDUSTRIAL SEAL KITS

MOBILE SEAL KITS



CATERPILLAR

CATERPILLAR

TRACK TYPE TRACTOR

INDUSTRIAL
SEAL KITS

MOBILE
SEAL KITS



CATERPILLAR

Model	Application	Cylinder Group	Engineering Design Change Level	Cylinder Assembly Part No.	Bore	Rod	I	Ref. Number RCAT-	\$
							M		
	Lift	6E0366	0-up	4T2099	4.750	2.500	I	2285272	146.02
	Ripper	3G9892	0-2	1U0399	4.000	2.000	I	2406899	42.77
	Ripper	3G9892	3-up	1U0399	4.000	2.000	I	2339205	48.11
	Tilt	1063255	0-up	1063256	4.750	2.250	I	2418920	121.22
	Tilt	1514861	0-up	1514862	4.750	2.250	I	2418920	121.22
	Tilt	1600045	0-1	1600046	4.750	2.500	I	2341948	149.11
	D5TSKH	Angling	9T9273	0-8	4T1665	4.000	2.000	I	2339205
Angling		9T9273	9-up	4T1665	4.000	2.000	I	2409538	59.15
Lift		6E0366	0-up	4T2099	4.750	2.500	I	2285272	146.02
D6B	Tilt	2J1402	0-22	6J0337	6.500	3.000	I	2442044	170.53
	Tilt	2J1402	23-up	6J0337	6.500	3.000	I	2440975	193.26
D6C	Backhoe Stick/Blade Shift	8J5448	0-8	8J5444	4.000	2.000	I	2406899	42.77
	Backhoe Stick/Blade Shift	8J5448	9-up	8J5444	4.000	2.000	I	2339205	48.11
	Dozer	5J8172	0-up	5J8169	4.250	2.500	I	2422547	71.65
	Dozer	5J8173	0-up	5J8169	4.250	2.500	I	2422547	71.65
	Lift	7J7974	0-up	7J7975	4.000	1.500	I	2465910	70.09
	Lift	7J8302	0-12	7J8301	4.000	2.500	I	2422543	125.62
	Lift	7J8302	13-up	7J8301	4.000	2.500	I	2430391	123.38
	Lift	8J6868	0-6	8J6867	4.000	2.500	I	2422543	125.62
	Lift	8J6868	7-up	8J6867	4.000	2.500	I	2430391	123.38
	Ripper	8J1779	0-9	8J1778	7.250	2.500	I	2422544	145.00
D6D	Ripper	8J1779	10-up	8J1778	7.250	2.500	I	2435799	155.02
	Tilt	2J1402	0-22	6J0337	6.500	3.000	I	2442044	170.53
	Tilt	2J1402	23-up	6J0337	6.500	3.000	I	2440975	193.26
	Backhoe Stick/Blade Shift	8J5448	0-8	8J5444	4.000	2.000	I	2406899	42.77
	Backhoe Stick/Blade Shift	8J5448	9-up	8J5444	4.000	2.000	I	2339205	48.11
	Lift	7J7974	0-up	7J7975	4.000	1.500	I	2465910	70.09
	Lift	7J8302	0-12	7J8301	4.000	2.500	I	2422543	125.62
	Lift	7J8302	13-up	7J8301	4.000	2.500	I	2430391	123.38
	Lift	8J6868	0-6	8J6867	4.000	2.500	I	2422543	125.62
	Lift	8J6868	7-up	8J6867	4.000	2.500	I	2430391	123.38
	Ripper	8J1779	0-9	8J1778	7.250	2.500	I	2422544	145.00
	Ripper	8J1779	10-up	8J1778	7.250	2.500	I	2435799	155.02
	Tilt	1U3495	0-up		6.000	2.500	I	2422557	158.17
	Tilt	2J1402	0-22	6J0337	6.500	3.000	I	2442044	170.53
	Tilt	2J1402	23-up	6J0337	6.500	3.000	I	2440975	193.26
	Tilt	7J3171	0-up	7J3170	6.000	2.500	I	2422557	158.17
	Tilt	7J9695	0-up	7J9921	5.500	2.500	I	2430381	74.84
	Tilt	9T2797	0-up	9T2795	6.000	2.500	I	2422552	103.56
	Tilt LH	6J0518	0-up	6J0516	6.000	2.500	I	2422557	158.17
	Tilt LH	7J3172	0-up	7J3170	6.000	2.500	I	2422557	158.17
Tilt RH	6J0517	0-up	6J0516	6.000	2.500	I	2422557	158.17	

All manufacturer's names, part numbers and descriptions are used for reference purposes only. We do not imply that any part shown is the product of these manufacturers.

Remsa [KITS]

TRACK TYPE TRACTOR

CATERPILLAR

Model	Application	Cylinder Group	Engineering Design Change Level	Cylinder Assembly Part No.	Bore	Rod	I	Ref. Number RCAT-	\$
							M		
D6E	Lift	8J6868	0-6	8J6867	4.000	2.500	I	2422543	125.62
	Lift	8J6868	7-up	8J6867	4.000	2.500	I	2430391	123.38
	Ripper	1306135	0-up	1311132	7.250	2.500	I	2435799	155.02
	Ripper	8J1779	0-9	8J1778	7.250	2.500	I	2422544	145.00
	Ripper	8J1779	10-up	8J1778	7.250	2.500	I	2435799	155.02
	Tilt	1U3495	0-up	1U3496	6.000	2.500	I	2422557	158.17
	Tilt	2J1402	0-22	6J0337	6.500	3.000	I	2442044	170.53
	Tilt	2J1402	23-up	6J0337	6.500	3.000	I	2440975	193.26
	Tilt	9T2797	0-up	9T2795	6.000	2.500	I	2422552	103.56
D6G	Lift	8J6868	0-6	8J6867	4.000	2.500	I	2422543	125.62
	Lift	8J6868	7-up	8J6867	4.000	2.500	I	2430391	123.38
	Ripper	1306135	0-up	1311132	7.250	2.500	I	2435799	155.02
	Ripper	8J1779	0-9	8J1778	7.250	2.500	I	2422544	145.00
	Ripper	8J1779	10-up	8J1778	7.250	2.500	I	2435799	155.02
	Tilt	1U3495	0-up	1U3496	6.000	2.500	I	2422557	158.17
	Tilt	2J1402	0-22	6J0337	6.500	3.000	I	2442044	170.53
	Tilt	2J1402	23-up	6J0337	6.500	3.000	I	2440975	193.26
	Tilt	9T2797	0-up	9T2795	6.000	2.500	I	2422552	103.56
D6H	Dozer	1U3989	0-2	1U4086	3.750	2.500	I	2422551	73.43
	Dozer	1U3989	3-up	1U4086	3.750	2.500	I	2430389	120.96
	Dozer	1U3990	0-2	1U4087	3.750	2.500	I	2422551	73.43
	Dozer	1U3990	3-up	1U4087	3.750	2.500	I	2430389	120.96
	Dozer	4Y3807	0-up	4Y4171	3.750	2.500	I	2430389	120.96
	Dozer	9T8952	0-7	9T8953	4.000	2.500	I	2430397	91.00
	Dozer	9T8952	8-up	9T8953	4.000	2.500	I	2292626	78.93
	Dozer	9T8996	0-7	9T8997	4.000	2.500	I	2430397	91.00
	Dozer	9T8996	8-up	9T8997	4.000	2.500	I	2292626	78.93
	Ripper	9T2716	0	9T2715	5.000	2.500	I	2430386	157.63
	Ripper	9T2716	1-up	9T2715	5.000	2.500	I	2422542	160.90
	Tilt	1U3991	0-4	9T0934	6.500	3.000	I	2442044	170.53
	Tilt	1U3991	5-up	9T0934	6.500	3.000	I	2440980	142.02
	Tilt	1U3992	0-up		6.000	2.500	I	2422558	219.28
	Tilt	9T6095	0-4	9T6094	6.000	2.500	I	2422558	219.28
Tilt	9T6095	5-up	9T6094	6.000	2.500	I	2430388	163.02	
D6M	Angling	1103786	2-up	1103787	4.000	2.000	I	2409538	59.15
	Angling	1526485	0-up	1103787	4.000	2.000	I	2409538	59.15
	Lift	1103269	0-up	1103270	4.500	2.250	I	2417584	120.35
	Lift	1153524	0-up	1158218	3.750	2.250	I	2350969	127.56
	N/A	1375107	0-up	1103787	4.000	2.000	I	2409538	59.15
	Ripper	3G5909	0-2	3G6533	4.000	2.000	I	2406899	42.77
	Ripper	3G5909	3-up	3G6533	4.000	2.000	I	2339205	48.11
	Ripper	9T2716	0	9T2715	5.000	2.500	I	2430386	157.63
	Ripper	9T2716	1-up	9T2715	5.000	2.500	I	2422542	160.90
	Tilt	1104761	0-up	1104763	5.500	2.500	I	2435801	134.86
	Tilt	1514518	0-up	1514519	5.500	2.500	I	2435801	134.86
	Tilt	1600054	0-up	1600055	5.500	2.500	I	2422539	130.19

All manufacturer's names, part numbers and descriptions are used for reference purposes only. We do not imply that any part shown is the product of these manufacturers.

INDUSTRIAL SEAL KITS

MOBILE SEAL KITS



CATERPILLAR

KITS 216

CATERPILLAR

TRACK TYPE TRACTOR

INDUSTRIAL
SEAL KITS

MOBILE
SEAL KITS



CATERPILLAR

Model	Application	Cylinder Group	Engineering Design Change Level	Cylinder Assembly Part No.	Bore	Rod	I	Ref. Number RCAT-	\$
							M		
D6R	Dozer	1278931	0-up	1278932	4.000	2.500	I	2292626	78.93
	Dozer	1294258	0-up	1294302	4.000	2.500	I	2292626	78.93
	Ripper	9T2716	0	9T2715	5.000	2.500	I	2430386	157.63
	Ripper	9T2716	1-up	9T2715	5.000	2.500	I	2422542	160.90
	Tilt	1U3991	0-4	9T0934	6.500	3.000	I	2442044	170.53
	Tilt	1U3991	5-up	9T0934	6.500	3.000	I	2440980	142.02
	Tilt	9T6095	0-4	9T6094	6.000	2.500	I	2422558	219.28
	Tilt	9T6095	5-up	9T6094	6.000	2.500	I	2430388	163.02
D7E	Ripper	3J6439	0-up	3J6438	6.000	2.500	I	2422556	159.43
D7F	Dozer LH	1041944	0-up	1041946	4.750	2.500	I	2435804	131.58
D7F	Dozer LH	1U2136	0-up	7J3337	4.750	2.500	I	2285271	124.37
	Dozer RH	1041943	0-up	1041945	4.750	2.500	I	2435804	131.58
	Dozer RH	1U2135	0-up	7J3337	4.750	2.500	I	2285271	124.37
	Lift LH	7J3334	0-up	7J3337	4.750	2.500	I	2285271	124.37
	Lift RH	7J3333	0-up	7J3337	4.750	2.500	I	2285271	124.37
	Ripper	3J6439	0-up	3J6438	6.000	2.500	I	2422556	159.43
	Tilt	9J8748	0-1	9J8749	6.500	3.000	I	2442044	170.53
	Tilt	9J8748	2-up	9J8749	6.500	3.000	I	2440980	142.02
D7G	Dozer LH	1041944	0-up	1041946	4.750	2.500	I	2435804	131.58
D7G	Dozer LH	1U2133	0-up	9J4886	4.750	2.500	I	2285271	124.37
	Dozer LH	1U2136	0-up	7J3337	4.750	2.500	I	2285271	124.37
D7G	Dozer RH	1041943	0-up	1041945	4.750	2.500	I	2435804	131.58
	Dozer RH	1U2134	0-up	9J4886	4.750	2.500	I	2285271	124.37
	Dozer RH	1U2135	0-up	7J3337	4.750	2.500	I	2285271	124.37
	Lift LH	7J3334	0-up	7J3337	4.750	2.500	I	2285271	124.37
	Lift RH	7J3333	0-up	7J3337	4.750	2.500	I	2285271	124.37
	Lift RH	9J4888	1-up	9J4886	4.750	2.500	I	2285271	124.37
	Ripper	3J6439	0-up	3J6438	6.000	2.500	I	2422556	159.43
	Tilt	2J1402	0-22	6J0337	6.500	3.000	I	2442044	170.53
D7G	Tilt	2J1402	23-up	6J0337	6.500	3.000	I	2440975	193.26
	Tilt	5J7929	0-up	4J6837	6.000	2.500	I	2422557	158.17
	Tilt	9J8748	0-1	9J8749	6.500	3.000	I	2442044	170.53
	Tilt	9J8748	2-up	9J8749	6.500	3.000	I	2440980	142.02
	Tilt LH	5J7930	0-up	4J6837	6.000	2.500	I	2422557	158.17
	Tilt LH	7J9364	0-3	7J9362	6.000	2.500	I	2422558	219.28
	Tilt LH	7J9364	6-up	7J9362	6.000	2.500	I	2422550	187.33
D7H	Dozer	1291908	0-up	1291910	4.000	2.500	I	2292626	78.93
D7H	Dozer	1U4851	0-4	1U4823	4.000	2.500	I	2422543	125.62
	Dozer	1U4851	5-up	1U4823	4.000	2.500	I	2430397	91.00
	Dozer	1U4852	0-3	1U4825	4.000	2.500	I	2422543	125.62
	Dozer	1U4852	4-up	1U4825	4.000	2.500	I	2430397	91.00
	Lift	1294259	0-up	1294303	4.000	2.500	I	2292626	78.93
	Lift	6E1836	0-6	6E1837	4.000	2.500	I	2430397	91.00
	Lift	6E1836	7-up	6E1837	4.000	2.500	I	2292626	78.93

All manufacturer's names, part numbers and descriptions are used for reference purposes only. We do not imply that any part shown is the product of these manufacturers.

Remsa [KITS]

TRACK-TYPE TRACTOR

CATERPILLAR

Model	Application	Cylinder Group	Engineering Design Change Level	Cylinder Assembly Part No.	Bore	Rod	I	Ref. Number RCAT-	\$
							M		
D7R	Lift	6E1841	0-6	6E1842	4.000	2.500	I	2430397	91.00
	Lift	6E1841	7-up	6E1842	4.000	2.500	I	2292626	78.93
	Ripper	4T8639	0-up	4T8701	5.250	2.750	I	2435810	99.72
	Ripper	9T0142	0-5	9T0579	7.250	3.000	I	2442046	121.57
	Ripper	9T0142	6-up	9T0579	7.250	3.000	I	2442047	181.02
	Tilt	1124814	0-up	1124815	6.000	2.750	I	2440969	136.53
	Tilt	3G4533	6-up	3G4532	6.500	3.000	I	2440980	142.02
	Tilt	9T6113	0-up	9T6114	6.500	3.000	I	2440980	142.02
	Dozer	1291908	0-up	1291910	4.000	2.500	I	2292626	78.93
	Dozer	1U4851	0-4	1U4823	4.000	2.500	I	2422543	125.62
	Dozer	1U4851	5-up	1U4823	4.000	2.500	I	2430397	91.00
	Dozer	1U4852	0-3	1U4825	4.000	2.500	I	2422543	125.62
	Dozer	1U4852	4-up	1U4825	4.000	2.500	I	2430397	91.00
	Lift	1294259	0-up	1294303	4.000	2.500	I	2292626	78.93
	Lift	6E1836	0-6	6E1837	4.000	2.500	I	2430397	91.00
	Lift	6E1836	7-up	6E1837	4.000	2.500	I	2292626	78.93
Lift	6E1841	0-6	6E1842	4.000	2.500	I	2430397	91.00	
Lift	6E1841	7-up	6E1842	4.000	2.500	I	2292626	78.93	
Ripper	9T0142	0-5	9T0579	7.250	3.000	I	2442046	121.57	
Ripper	9T0142	6-up	9T0579	7.250	3.000	I	2442047	181.02	
Tilt	1124814	0-up	1124815	6.000	2.750	I	2440969	136.53	
Tilt	3G4533	6	3G4532	6.500	3.000	I	2440980	142.02	
Tilt	3G4598	7-up	3G4532	6.500	3.000	I	2440980	142.02	
D8H	Tilt	9T6113	0-up	9T6114	6.500	3.000	I	2440980	142.02
	Tilt LH	1470709	0-up	1470712	6.500	3.000	I	2440980	142.02
	Tilt RH	1470708	0-up	1470711	6.500	3.000	I	2440980	142.02
	Angling	3J2189	0-up	3J4308	6.000	2.500	I	2422556	159.43
	Dozer	2J3894	6-up	2J6778	8.250	3.500	I	2456826	224.33
	Dozer	5J2815	0-up	5J2809	6.000	2.500	I	2422556	159.43
	Dozer	6J8816	0-2	6J8817	6.000	2.500	I	2422558	219.28
	Lift	5J1243	0-up	5J1242	6.000	2.500	I	2422556	159.43
	Lift LH	5J9378	2-up	5J9376	5.000	2.500	I	2422553	99.57
	Lift RH	5J9708	1-up	5J9376	5.000	2.500	I	2422553	99.57
	Pin Puller	4J5057	3-up	4H6724	4.000	1.250	I	2456815	66.30
	Pin Puller	7J0508	0-up	7J0506	4.000	1.250	I	2456815	66.30
	Pin Puller	8J2071	0-up	8J2072	4.000	1.500	I	2465910	70.09
	Ripper	6J9129	3-up	6J9128	7.300	3.000	I	2442067	227.51
	Ripper	7J3222	0-2	6J8320	8.250	3.250	I	2450599	195.84
	Ripper	7J3222	3-up	6J8320	8.250	3.250	I	2450584	212.34
Ripper RH	7J3221	0-2	6J8320	8.250	3.250	I	2450599	195.84	
Ripper RH	7J3221	3-up	6J8320	8.250	3.250	I	2450584	212.34	
Tilt	7J0192	0-6	7J0191	8.250	3.500	I	2460638	140.21	
Tilt	7J0192	7-up	7J0191	8.250	3.500	I	2456837	204.51	

All manufacturer's names, part numbers and descriptions are used for reference purposes only. We do not imply that any part shown is the product of these manufacturers.

INDUSTRIAL SEAL KITS

MOBILE SEAL KITS



CATERPILLAR

CATERPILLAR

TRACK-TYPE TRACTOR

INDUSTRIAL
SEAL KITS

MOBILE
SEAL KITS



CATERPILLAR

Model	Application	Cylinder Group	Engineering Design Change Level	Cylinder Assembly Part No.	Bore	Rod	I	Ref. Number RCAT-	\$	
							M			
D8K	Dozer	8J8584	0-up		5.000	2.750	I	2435809	162.39	
	Lift	8J8585	0-1		5.000	2.750	I	2435809	162.39	
	Lift LH	3G8089	0-up	8J8583	5.000	2.750	I	2435811	125.13	
	Lift LH	8J8585	1-up	8J8583	5.000	2.750	I	2435809	162.39	
	Lift RH	3G8090	0-up	8J8583	5.000	2.750	I	2435811	125.13	
	Pin Puller	7J0508	0-up	7J0506	4.000	1.250	I	2456815	66.30	
	Pin Puller	8J2071	0-up	8J2072	4.000	1.500	I	2465910	70.09	
	Ripper	6J9129	3-up	6J9128	7.300	3.000	I	2442067	227.51	
	Ripper	7J3222	0-2	6J8320	8.250	3.250	I	2450599	195.84	
	Ripper	7J3222	3-up	6J8320	8.250	3.250	I	2450584	212.34	
	Ripper RH	7J3221	0-2	6J8320	8.250	3.250	I	2450599	195.84	
	Ripper RH	7J3221	3-up	6J8320	8.250	3.250	I	2450584	212.34	
	D8L	Tilt	8J8682	0-3	8J8683	8.250	3.500	I	2460638	140.21
		Tilt	8J8682	4-up	8J8683	8.250	3.500	I	2456837	204.51
Dozer		9J8802	4-8	9J8803	7.500	3.500	I	2456836	211.19	
Dozer		9J8802	12-up	9J8803	7.500	3.500	I	2456834	148.86	
Lift		3G8537	0-3	3G8194	5.250	3.000	I	2442073	126.26	
Lift		3G8537	4-6	3G8194	5.250	3.000	I	2442072	165.55	
Lift		3G8537	7-up	3G8194	5.250	3.000	I	2442065	164.15	
Lift		9T2860	2-6	3G8194	5.250	3.000	I	2442072	165.55	
Lift		9T2860	7-up	3G8194	5.250	3.000	I	2442065	164.15	
Pin Puller		1U3373	0-up	1U3374	4.000	1.500	I	2465910	70.09	
Ripper		3G6457	0-up		8.250	3.250	I	2450584	212.34	
D8N		Tilt	3G5707	3-4	3G5706	8.250	3.500	I	2460638	140.21
		Tilt	3G5707	5-up	3G5706	8.250	3.500	I	2456837	204.51
		Dozer	6E1102	0-7	6E1103	4.500	3.000	I	2292758	167.26
	Dozer	6E1102	8-9	6E1103	4.500	3.000	I	2292759	143.35	
	Dozer	6E1102	10	6E1103	4.500	3.000	I	2292758	167.26	
	Dozer	6E1102	11-up	6E1103	4.500	3.000	I	2292759	143.35	
	Dozer	6E1175	2-up	6E1176	7.250	3.500	I	2456839	237.67	
	Dozer	9T0140	0-5	9T0332	4.250	2.750	I	2440964	137.47	
	Dozer	9T0140	6-up	9T0332	4.250	2.750	I	2440959	88.87	
	Dozer	9T0141	7-up	9T0266	7.500	3.500	I	2456834	148.86	
	Pin Puller	6E3113	0-up	6E3976	4.000	1.750	I	2404819	87.06	
	D8R	Pin Puller	9T2066	0-up	9T2755	4.000	1.500	I	2465910	70.09
		Ripper	9T0142	0-5	9T0579	7.250	3.000	I	2442046	121.57
		Ripper	9T0142	6-up	9T0579	7.250	3.000	I	2442047	181.02
Ripper		9T0143	0-up	9T0612	6.500	3.000	I	2442050	185.51	
Tilt		6E0397	0-up	6E0398	7.250	3.000	I	2442059	166.67	
Tilt		9T6077	0-up	9T5908	6.500	3.000	I	2440980	142.02	
D8R		Dozer	6E1102	0-7	6E1103	4.500	3.000	I	2292758	167.26
	Dozer	6E1102	8-9	6E1103	4.500	3.000	I	2292759	143.35	
	Dozer	6E1102	10	6E1103	4.500	3.000	I	2292758	167.26	
	Dozer	6E1102	11-up	6E1103	4.500	3.000	I	2292759	143.35	
	Dozer	6E1175	2-up	6E1176	7.250	3.500	I	2456839	237.67	

All manufacturer's names, part numbers and descriptions are used for reference purposes only. We do not imply that any part shown is the product of these manufacturers.

Remsa [KITS]

TRACK-TYPE TRACTOR

CATERPILLAR

Model	Application	Cylinder Group	Engineering Design Change Level	Cylinder Assembly Part No.	Bore	Rod	I	Ref. Number RCAT-	\$
							M		
D9G	Pin Puller	6E3113	0-up	6E3976	4.000	1.750	I	2404819	87.06
	Pin Puller	9T2066	0-up	9T2755	4.000	1.500	I	2465910	70.09
	Ripper	4Z6313	0-up	9T0612	6.500	3.000	I	2442050	185.51
	Ripper	9T0142	0-5	9T0579	7.250	3.000	I	2442046	121.57
	Ripper	9T0142	6-up	9T0579	7.250	3.000	I	2442047	181.02
	Ripper	9T0143	0-up	9T0612	6.500	3.000	I	2442050	185.51
	Tilt	6E0397	0-up	6E0398	7.250	3.000	I	2442059	166.67
D9G	Dozer	6J8816	0-2	6J8817	6.000	2.500	I	2422558	219.28
	Lift LH	7J1488	0-3	7J1489	9.250	3.250	I	2450588	205.00
	Lift LH	7J1488	4-up	7J1489	9.250	3.250	I	2450600	257.82
	Lift RH	7J1487	0-3	7J1489	9.250	3.250	I	2450588	205.00
D9H	Lift RH	7J1487	4-up	7J1489	9.250	3.250	I	2450600	257.82
	Pin Puller	4J5057	3-up	4H6724	4.000	1.250	I	2456815	66.30
	Pin Puller	7J0508	0-up	7J0506	4.000	1.250	I	2456815	66.30
	Pin Puller	8J2071	0-up	8J2072	4.000	1.500	I	2465910	70.09
	Ripper	6J7810	0-4	6J7809	8.250	3.500	I	2460638	140.21
	Ripper	6J7810	5-up	6J7809	8.250	3.500	I	2456827	311.82
	Ripper LH	5J1264	0-up	5J1261	9.250	2.750	I	7X2796	189.75
	Ripper RH	5J1263	0-up	5J1261	9.250	2.750	I	7X2796	189.75
	Tilt	6J1570	2-7	6J1555	8.250	3.500	I	2460638	140.21
	Tilt	6J1570	8-up	6J1555	8.250	3.500	I	2456837	204.51
D9H	Dozer LH	3G1174	0-up	5J3036	6.250	3.000	I	2442061	126.76
D9L	Dozer LH	3G1177	0-up	5J3036	6.250	3.000	I	2442061	126.76
	Dozer RH	3G1175	0-up	5J3036	6.250	3.000	I	2442061	126.76
	Dozer RH	3G1176	0-up	5J3036	6.250	3.000	I	2442061	126.76
	Lift LH	7J1488	0-3	7J1489	9.250	3.250	I	2450588	205.00
	Lift LH	7J1488	4-up	7J1489	9.250	3.250	I	2450600	257.82
	Lift RH	7J1487	0-3	7J1489	9.250	3.250	I	2450588	205.00
	Lift RH	7J1487	4-up	7J1489	9.250	3.250	I	2450600	257.82
D9L	Pin Puller	8J2071	0-up	8J2072	4.000	1.500	I	2465910	70.09
	Ripper	6J7810	0-4	6J7809	8.250	3.500	I	2460638	140.21
	Ripper	6J7810	5-up	6J7809	8.250	3.500	I	2456827	311.82
	Tilt	6J1570	2-7	6J1555	8.250	3.500	I	2460638	140.21
	Tilt	6J1570	8-up	6J1555	8.250	3.500	I	2456837	204.51
	Dozer	3G8661	0-6	3G8660	9.250	4.000	I	2460652	282.41
	Dozer	3G8661	7-up	3G8660	9.250	4.000	I	2460648	268.92
D9L	Dozer	4T4248	0-1	4T4249	9.250	4.000	I	2460652	282.41
	Dozer	4T4248	2-up	4T4249	9.250	4.000	I	2460648	268.92
	Lift	9J5868	9-up	9J5862	6.000	3.250	I	2450617	145.76
	Pin Puller	1U3373	0-up	1U3374	4.000	1.500	I	2465910	70.09
	Ripper LH	4T5111	0	4T5114	9.250	3.250	I	2450588	205.00
	Ripper LH	4T5111	1-3	4T5114	9.250	3.250	I	2450589	210.42
	Ripper LH	4T5111	4-up	4T5114	9.250	3.250	I	2450590	222.85
	Ripper RH	4T5112	0	4T5114	9.250	3.250	I	2450588	205.00
	Ripper RH	4T5112	1-4	4T5114	9.250	3.250	I	2450589	210.42
	Ripper RH	4T5112	5-up	4T5114	9.250	3.250	I	2450590	222.85

All manufacturer's names, part numbers and descriptions are used for reference purposes only. We do not imply that any part shown is the product of these manufacturers.

INDUSTRIAL SEAL KITS

MOBILE SEAL KITS



CATERPILLAR

CATERPILLAR

TRACK-TYPE TRACTOR

Model	Application	Cylinder Group	Engineering Design Change Level	Cylinder Assembly Part No.	Bore	Rod	I	Ref. Number RCAT-	\$
							M		
D9N	Lift	9T2860	2-6	3G8194	5.250	3.000	I	2442072	165.55
	Lift	9T2860	7-up	3G8194	5.250	3.000	I	2442065	164.15
	Pin Puller	6E3113	0-up	6E3976	4.000	1.750	I	2404819	87.06
	Pin Puller	9T2066	0-up	9T2755	4.000	1.500	I	2465910	70.09
	Ripper	3G6457	0-up		8.250	3.250	I	2450584	212.34
	Ripper	9T0106	0-up	9T0105	6.500	2.000	I	2442049	84.33
	Tilt	3G5707	3-4	3G5706	8.250	3.500	I	2460638	140.21
	Tilt	3G5707	5-up	3G5706	8.250	3.500	I	2456837	204.51
	Tilt	6E4835	0-4	6E4858	8.250	3.500	I	2456837	204.51
	Tilt	6E4835	5-up	6E4858	8.250	3.500	I	2456835	241.54
	Tilt	6E4836	0-4	6E4857	8.250	3.500	I	2456837	204.51
	Tilt	6E4836	5-up	6E4857	8.250	3.500	I	2456835	241.54
D9R	Dozer	4Z6172	0-up	6E4493	4.750	3.000	I	2292968	198.43
	Dozer	6E4433	0-5	6E4493	4.750	3.000	I	2442075	185.75
	Dozer	6E4433	6-9	6E4493	4.750	3.000	I	2442054	189.91
	Dozer	6E4433	10-up	6E4493	4.750	3.000	I	2292968	198.43
	Pin Puller	6E3113	0-up	6E3976	4.000	1.750	I	2404819	87.06
	Ripper	1238097	0-up	1238093	6.000	3.000	I	2442055	162.91
	Ripper	1238098	0-up	1238094	7.250	3.250	I	2450596	180.10
	Ripper	1325123	0-up	1325121	7.250	3.250	I	2450596	180.10
	Ripper	1325149	0-up	1325146	6.000	3.000	I	2442055	162.91
	Ripper	4Z6363	0-up	1325121	7.250	3.250	I	2450619	224.34
	Ripper	4Z6364	0-up	1325146	6.000	3.000	I	1316106	217.56
	Ripper	9T5807	0-up	9T5804	6.000	3.000	I	2442055	162.91
Ripper	9T5813	0-up	9T5812	7.250	3.250	I	2450596	180.10	
Tilt	1096778	0-up	1096783	8.250	3.500	I	2456835	241.54	
Tilt	4Z6170	0-up	1096783	8.250	3.500	I	1935433	168.44	
Tilt LH	1098833	0-up	1098837	8.250	3.500	I	2456835	241.54	
Tilt LH	4Z6357	0-up	1098837	8.250	3.500	I	1935433	168.44	
Tilt RH	1098832	0-up	1098836	8.250	3.500	I	2456835	241.54	
Tilt RH	4Z6356	0-up	1098836	8.250	3.500	I	1935433	168.44	
D10	Dozer	1U2711	3-up	1U1783	10.500	4.000	I	2460649	381.55
	Dozer	3G5761	1-up	3G5760	10.500	4.000	I	2460649	381.55
	Dozer	4T3210	1-7	4T3213	10.500	4.000	I	2460649	381.55
Dozer	4T3211	1-6	4T3212	10.500	4.000	I	2460649	381.55	
Dozer	9J2958	0-8		7.000	4.000	I	2460653	153.94	
Dozer	9J2958	9		7.000	4.000	I	2460655	208.17	
Dozer	9J2958	10-up		7.000	4.000	I	2460657	266.54	
Dozer	9J2959	0-8		7.000	4.000	I	2460653	153.94	
Dozer	9J2959	9		7.000	4.000	I	2460655	208.17	
Dozer	9J2959	10-up		7.000	4.000	I	2460657	266.54	
Dozer LH	4T3211	6-up	4T3212	10.500	4.000	I	2460649	381.55	
Dozer LH	9J2959	0-8	9J0513	7.000	4.000	I	2460653	153.94	
Dozer LH	9J2959	9	9J0513	7.000	4.000	I	2460655	208.17	
Dozer LH	9J2959	10-up	9J0513	7.000	4.000	I	2460657	266.54	
Dozer RH	4T3210	7-up	4T3213	10.500	4.000	I	2460649	381.55	

All manufacturer's names, part numbers and descriptions are used for reference purposes only. We do not imply that any part shown is the product of these manufacturers.

INDUSTRIAL
SEAL KITS

MOBILE
SEAL KITS



CATERPILLAR

Remsa [KITS]

TRACK-TYPE TRACTOR

CATERPILLAR

Model	Application	Cylinder Group	Engineering Design Change Level	Cylinder Assembly Part No.	Bore	Rod	I	Ref. Number RCAT-	\$
							M		
D10N	Dozer RH	9J2958	0-8	9J0513	7.000	4.000	I	2460653	153.94
	Dozer RH	9J2958	9	9J0513	7.000	4.000	I	2460655	208.17
	Dozer RH	9J2958	10-up	9J0513	7.000	4.000	I	2460657	266.54
	Pin Puller	1U3373	0-up	1U3374	4.000	1.500	I	2465910	70.09
	Pin Puller	8J2071	0-up	8J2072	4.000	1.500	I	2465910	70.09
	Ripper	3G2220	0-up	3G2219	8.250	3.250	I	2450599	195.84
	Ripper	3G2221	9-12	9J1739	10.500	3.500	I	2460637	293.01
	Ripper	3G2222	9-up	9J1739	10.500	3.500	I	2460637	293.01
	Ripper RH	3G2221	12-up	9J1739	10.500	3.500	I	2460637	293.01
	Dozer	9T4279	0-up	9T4432	9.250	4.000	I	2460648	268.92
	Dozer	9T4280	0-up	9T4433	9.250	4.000	I	2460648	268.92
	Dozer	9T7341	0-up	9T7340	9.250	4.000	I	2460648	268.92
	Dozer	9T9204	0-up	9T9200	9.250	4.000	I	2460648	268.92
	Lift	9T2869	0-8	9T2868	6.250	3.500	I	2293635	189.86
	Lift	9T2869	11-up	9T2868	6.250	3.500	I	2293636	234.37
	Pin Puller	6E3113	0-up	6E3976	4.000	1.750	I	2404819	87.06
	Pin Puller	9T2066	0-up	9T2755	4.000	1.500	I	2465910	70.09
	Ripper	4T9977	3-up	9T0085	8.250	3.250	I	2450584	212.34
Ripper LH	4T5111	0	4T5114	9.250	3.250	I	2450588	205.00	
Ripper LH	4T5111	1-3	4T5114	9.250	3.250	I	2450589	210.42	
Ripper LH	4T5111	4-up	4T5114	9.250	3.250	I	2450590	222.85	
Ripper RH	4T5112	0	4T5114	9.250	3.250	I	2450588	205.00	
Ripper RH	4T5112	1-4	4T5114	9.250	3.250	I	2450589	210.42	
Ripper RH	4T5112	5-up	4T5114	9.250	3.250	I	2450590	222.85	
Tilt	9T9202	0-up	9T9199	9.250	4.000	I	2460648	268.92	
Tilt	9T9203	0-1	9T9201	9.250	4.000	I	2460648	268.92	
Tilt LH	9J0673	0-up	9J0669	6.000	2.750	I	2440961	137.35	
Tilt RH	9T9203	1-up	9T9201	9.250	4.000	I	2460648	268.92	
D10R	Dozer	9T4279	0-up	9T4432	9.250	4.000	I	2460648	268.92
	Dozer	9T9204	0-up	9T9200	9.250	4.000	I	2460648	268.92
	Lift	9T2869	0-8	9T2868	6.250	3.500	I	2293635	189.86
	Lift	9T2869	11-up	9T2868	6.250	3.500	I	2293636	234.37
	Pin Puller	6E3113	0-up	6E3976	4.000	1.750	I	2404819	87.06
	Ripper	4T9977	3-up	9T0085	8.250	3.250	I	2450584	212.34
	Ripper LH	4T5111	0	4T5114	9.250	3.250	I	2450588	205.00
Ripper LH	4T5111	1-3	4T5114	9.250	3.250	I	2450589	210.42	
Ripper LH	4T5111	4-up	4T5114	9.250	3.250	I	2450590	222.85	
Ripper RH	4T5112	0	4T5114	9.250	3.250	I	2450588	205.00	
Ripper RH	4T5112	1-4	4T5114	9.250	3.250	I	2450589	210.42	
Ripper RH	4T5112	5-up	4T5114	9.250	3.250	I	2450590	222.85	
Tilt	9T9202	0-up	9T9199	9.250	4.000	I	2460648	268.92	
Tilt	9T9203	0-up	9T9201	9.250	4.000	I	2460648	268.92	
D11N	Dozer	1U2711	3-up	1U1783	10.500	4.000	I	2460649	381.55
	Dozer	4T2727	0-3	9J0513	7.000	4.000	I	2460653	153.94
	Dozer	4T2727	4-7	9J0513	7.000	4.000	I	2460655	208.17
	Dozer	4T2727	8	9J0513	7.000	4.000	I	2460657	266.54

All manufacturer's names, part numbers and descriptions are used for reference purposes only. We do not imply that any part shown is the product of these manufacturers.



CATERPILLAR

TRACK-TYPE TRACTOR

Model	Application	Cylinder Group	Engineering Design Change Level	Cylinder Assembly Part No.	Bore	Rod	I	Ref. Number RCAT-	\$
							M		
	Dozer	4T2727	9-up	9J0513	7.000	4.000	I	2295507	194.45
	Dozer	4T2728	0-3	9J0513	7.000	4.000	I	2460653	153.94
	Dozer	4T2728	4-7	9J0513	7.000	4.000	I	2460655	208.17
	Dozer	4T2728	8	9J0513	7.000	4.000	I	2460657	266.54
	Dozer	4T2728	9-up	9J0513	7.000	4.000	I	2295507	194.45
	Dozer LH	4T2727	0-3	9J0513	7.000	4.000	I	2460653	153.94
	Dozer LH	4T2727	4-7	9J0513	7.000	4.000	I	2460655	208.17
	Dozer LH	4T2727	8	9J0513	7.000	4.000	I	2460657	266.54
	Dozer LH	4T2727	9-up	9J0513	7.000	4.000	I	2295507	194.45
	Dozer RH	4T2728	0-3	9J0513	7.000	4.000	I	2460653	153.94
	Dozer RH	4T2728	4-7	9J0513	7.000	4.000	I	2460655	208.17
	Dozer RH	4T2728	8	9J0513	7.000	4.000	I	2460657	266.54
	Dozer RH	4T2728	9-up	9J0513	7.000	4.000	I	2295507	194.45
	Pin Puller	6E3113	0-up	6E3976	4.000	1.750	I	2404819	87.06
	Pin Puller	9T2066	0-up	9T2755	4.000	1.500	I	2465910	70.09
	Ripper	3G2221	9-12	9J1739	10.500	3.500	I	2460637	293.01
	Ripper	3G2222	9-12	9J1739	10.500	3.500	I	2460637	293.01
	Ripper	4T7985	0-up	4T8055	8.250	3.250	I	2450584	212.34
	Ripper	9T5823	0-4	9T6103	10.000	3.500	I	2460635	320.02
	Ripper	9T5824	0-4	9T6103	10.000	3.500	I	2460635	320.02
	Ripper	9T5888	3-up	9T5887	7.750	3.250	I	2450594	211.81
	Ripper LH	1018580	0-up	1019231	7.750	3.750	I	2459840	217.60
	Ripper LH	1018614	0-up	1020520	10.000	3.500	I	2460635	320.02
	Ripper LH	3G2337	12-up	9J1739	10.500	3.500	I	2460637	293.01
	Ripper LH	9T5824	4-up	9T6103	10.000	3.500	I	2460635	320.02
	Ripper RH	1018579	0-up	1019230	7.750	3.750	I	2459840	217.60
	Ripper RH	1018581	0-up	1020519	10.000	3.500	I	2460635	320.02
	Ripper RH	3G2221	112-up	9J1739	10.500	3.500	I	2460637	293.01
	Ripper RH	9T5823	4-up	9T6103	10.000	3.500	I	2460635	320.02
	Tilt	9T3715	1-up	9T3717	10.500	4.000	I	2460649	381.55
	Tilt	9T3716	1-up	9T3718	10.500	4.000	I	2460649	381.55
D11R	Dozer	1U2711	3-up	1U1783	10.500	4.000	I	2460649	381.55
	Dozer	4T2728	0-3	9J0513	7.000	4.000	I	2460653	153.94
	Dozer	4T2728	4-7	9J0513	7.000	4.000	I	2460655	208.17
	Dozer	4T2728	8	9J0513	7.000	4.000	I	2460657	266.54
	Dozer	4T2728	9-up	9J0513	7.000	4.000	I	2295507	194.45
	Dozer	4T2727	0-3	9J0513	7.000	4.000	I	2460653	153.94
	Dozer	4T2727	4-7	9J0513	7.000	4.000	I	2460655	208.17
	Dozer	4T2727	8	9J0513	7.000	4.000	I	2460657	266.54
	Dozer	4T2727	9-up	9J0513	7.000	4.000	I	2295507	194.45
	Dozer	4T2728	0-3	9J0513	7.000	4.000	I	2460653	153.94
	Dozer	4T2728	4-7	9J0513	7.000	4.000	I	2460655	208.17
	Dozer	4T2728	8	9J0513	7.000	4.000	I	2460657	266.54
	Dozer	4T2728	9-up	9J0513	7.000	4.000	I	2295507	194.45
	Dozer LH	1265510	0-4	1265508	7.000	4.000	I	2295507	194.45
	Dozer LH	4T2727	0-3	9J0513	7.000	4.000	I	2460653	153.94
	Dozer LH	4T2727	4-7	9J0513	7.000	4.000	I	2460655	208.17

All manufacturer's names, part numbers and descriptions are used for reference purposes only. We do not imply that any part shown is the product of these manufacturers.

INDUSTRIAL SEAL KITS

MOBILE SEAL KITS



CATERPILLAR

TRACK-TYPE TRACTOR

CATERPILLAR

Model	Application	Cylinder Group	Engineering Design Change Level	Cylinder Assembly Part No.	Bore	Rod	I	Ref. Number RCAT-	\$
							M		
	Dozer LH	4T2727	8	9J0513	7.000	4.000	I	2460657	266.54
	Dozer LH	4T2727	9-up	9J0513	7.000	4.000	I	2295507	194.45
	Dozer RH	1265510	5-up	1453651	7.000	4.000	I	2295507	194.45
	Dozer RH	1265511	0-4	1265508	7.000	4.000	I	2295507	194.45
	Dozer RH	4T2728	0-3	9J0513	7.000	4.000	I	2460653	153.94
	Dozer RH	4T2728	4-7	9J0513	7.000	4.000	I	2460655	208.17
	Dozer RH	4T2728	8	9J0513	7.000	4.000	I	2460657	266.54
	Dozer RH	4T2728	9-up	9J0513	7.000	4.000	I	2295507	194.45
	Pin Puller	6E3113	0-up	6E3976	4.000	1.750	I	2404819	87.06
	Pin Puller	9T2066	0-up	9T2755	4.000	1.500	I	2465910	70.09
	Ripper LH	1018580	0-up	1019231	7.750	3.750	I	2459840	217.60
	Ripper LH	1018614	0-up	1020520	10.000	3.500	I	2460635	320.02
	Ripper LH	1306381	0-up	1306382	7.750	3.750	I	2459840	217.60
	Ripper RH	1018579	0-up	1019230	7.750	3.750	I	2459840	217.60
	Ripper RH	1018581	0-up	1020519	10.000	3.500	I	2460635	320.02
	Ripper RH	1303263	0-up	1303261	7.750	3.750	I	2459840	217.60
	Stabilizer	1265511	5-up	1453651	7.000	4.000	I	2295507	194.45
	Tilt	9T3715	1-up	9T3717	10.500	4.000	I	2460649	381.55
	Tilt	9T3716	1-up	9T3718	10.500	4.000	I	2460649	381.55

TRACTOR

CATERPILLAR

772	Door	3G4640	2-up	3G4747	6.000	2.500	I	2422550	187.33
	Door	9J8157	0-up	9J8158	6.000	2.500	I	2422558	219.28
	N/A	9J1254	0-up	-	-	-	I	8T4938	112.20
	N/A	9J1255	0-up	-	-	-	I	8T4938	112.20
	Steering RH	7J7686	0-up	7J7684	4.000	2.375	I	2418925	65.77
	Suspension	8J2322	13-up	-	8.000	7.000	I	3195647	807.53
	Suspension Front	7J3480	14-up	-	8.000	7.000	I	3195647-G	499.43
772B	Brake Release	9T7204	0-up	-	-	-	I	6E4057	10.32
	Braking	1131824	0-up	-	-	-	I	1345986	158.95
	Door	3G4640	2-up	3G4747	6.000	2.500	I	2422550	187.33
	Door	9J8157	0-up	9J8158	6.000	2.500	I	2422558	219.28
	N/A	1163092	0-up	-	8.000	7.000	I	1137478	665.93
	N/A	1163092	0-up	-	8.000	7.000	I	1137478-G	641.99
	N/A	9J1255	0-up	-	-	-	I	8T4938	112.20
	Steering RH	7J7686	0-up	7J7684	4.000	2.375	I	2418925	65.77
	Suspension	1162837	0-up	9T6081	8.500	7.000	I	2976848	434.65
	Suspension	1162837	0-up	9T6081	8.500	7.000	I	2976848-G	218.57
	Suspension Front	1U4777	8-up	1007415	8.000	7.000	I	1137478	665.93
	Suspension Front	1U4777	8-up	1007415	8.000	7.000	I	1137478-G	641.99
	Suspension Rear	9T6082	0-up	9T6081	8.500	7.000	I	2976848	434.65
	Suspension Rear	9T6082	0-up	9T6081	8.500	7.000	I	2976848-G	218.57

All manufacturer's names, part numbers and descriptions are used for reference purposes only. We do not imply that any part shown is the product of these manufacturers.

INDUSTRIAL SEAL KITS

MOBILE SEAL KITS



CATERPILLAR

CATERPILLAR

TRACTOR

Model	Application	Cylinder Group	Engineering Design Change Level	Cylinder Assembly Part No.	Bore	Rod	I	Ref. Number RCAT-	\$
							M		
776	Door	3G4640	2-up	3G4747	6.000	2.500	I	2422550	187.33
	Steering	8J9912	1-up	8J9913	4.000	2.375	I	2418925	65.77
	Suspension Rear	8J8865	2-up	9J9277	10.500	9.000	I	1137482/PI	755.10
	Suspension Rear	8J8865	2-up	9J9277	10.500	9.000	I	1137482/PI-G	329.72
	Suspension Rear	8J8865	2-up	9J9277	10.500	9.000	I	1137482/PI/SI	755.10
	Suspension Rear	8J8865	2-up	9J9277	10.500	9.000	I	1137482/PI/SI-G	329.72
	Suspension Rear	8J8865	2-up	9J9277	10.500	9.000	I	1137482/SI	755.10
	Suspension Rear	8J8865	2-up	9J9277	10.500	9.000	I	1137482/SI-G	329.72
784C	Brake Release	9T7204	0-up	-	-	-	I	6E4057	10.32
	Braking	1131824	0-up	-	-	-	I	1345986	158.95
	N/A	1U4651	1-11	1U3924	12.500	11.000	I	3406080	884.34
	N/A	1U4651	1-11	1U3924	12.500	11.000	I	3406080-G	442.08
	N/A	6E6073	0-up	1U3924	12.500	11.000	I	3406080	884.34
	N/A	6E6073	0-up	1U3924	12.500	11.000	I	3406080-G	442.08
	Steering	6E5857	0-up	6E6128	5.000	2.500	I	2430384	153.34
	Suspension	1072860	0-up	1072859	12.500	11.000	I	3367369	856.96
	Suspension	1072860	0-up	1072859	12.500	11.000	I	3367369-G	406.20
	Suspension	1161977	0-up	1072859	12.500	11.000	I	3367369	856.96
	Suspension	1161977	0-up	1072859	12.500	11.000	I	3367369-G	406.20

INDUSTRIAL
SEAL KITS

MOBILE
SEAL KITS



CATERPILLAR

Remsa [KITS]

VIBRATORY COMPACTOR

CATERPILLAR

Model	Application	Cylinder Group	Engineering Design Change Level	Cylinder Assembly Part No.	Bore	Rod	I	Ref. Number RCAT-	\$
							M		
CB214B	Tilt	5E7080	0-up		2.750	-	I	0813458	O/R
CB214C	Tilt	1199024	0-up		2.500	-	I	1199023	87.67
	Tilt	1G4227	0-up		2.500	-	I	1G4340	74.96
CB224C	Tilt	1199024	0-up		2.500	-	I	1199023	87.67
	Tilt	1G4227	0-up		2.500	-	I	1G4340	74.96
CB534	Tilt	5E7116	0-up		2.750	-	I	0813458	O/R
CS323C	Tilt	0776574	0-up		2.500	1.250	I	0773179	O/R

WHEEL DOZER



236	Ripper	1565512	0-up		-	-	I	1643213	18.17
814	Dozer	7J7028	1-up	7J1451	4.750	2.500	I	2285271	124.37
	Steering	7J9356	0-5	7J9354	4.000	2.000	I	2378277	109.50
	Tilt	7J7295	0-up	7J7292	5.000	2.000	I	2386718	71.07
814B	Dozer	1U2088	0-5	1U2087	4.750	2.500	I	2285271	124.37
	Dozer	1U2088	6-up	1U2087	4.750	2.500	I	2285272	146.02
	Steering	4T1574	0-2	4T1580	4.000	2.000	I	2406899	42.77
	Steering	4T1574	3-up	4T1580	4.000	2.000	I	2339205	48.11
	Steering	6E5024	0-up	6E5025	4.000	2.000	I	2409538	59.15
	Tilt	1U2137	0-up	1U2138	4.500	2.000	I	7X2805	102.48
	Tip	1U4744	4-up	1U4743	4.000	2.000	I	2409941	106.63
814F	Dozer	1U2088	0-5	1U2087	4.750	2.500	I	2285271	124.37
	Dozer	1U2088	6-up	1U2087	4.750	2.500	I	2285272	146.02
	Steering	4T1574	0-2	4T1580	4.000	2.000	I	2406899	42.77
	Steering	4T1574	3-up	4T1580	4.000	2.000	I	2339205	48.11
824	Steering	6E5024	0-up	6E5025	4.000	2.000	I	2409538	59.15
	Tilt	1U2137	0-up	1U2138	4.500	2.000	I	7X2805	102.48
	Tip	1U4744	4-up	1U4743	4.000	2.000	I	2409941	106.63
824	Blade RH	4J4497	0-8	4J4515	6.500	2.500	I	2422555	207.95
	Blade RH	4J4497	9-up	4J4515	6.500	2.500	I	2422541	174.97
	Blade Tip	4J5632	0-8	4J5631	6.500	2.500	I	2422555	207.95
	Blade Tip	4J5632	9-up	4J5631	6.500	2.500	I	2422541	174.97
	Blade Tip LH	4J4498	0-7	4J4516	6.000	2.500	I	2422557	158.17
	Blade Tip LH	4J4498	8-up	4J4516	6.000	2.500	I	2422540	129.22
	Lift	3J9307	0-9	3J9708	6.500	2.500	I	2422554	87.68
	Lift	3J9307	10-up	3J9708	6.500	2.500	I	2435803	142.45

All manufacturer's names, part numbers and descriptions are used for reference purposes only. We do not imply that any part shown is the product of these manufacturers.

INDUSTRIAL SEAL KITS

MOBILE SEAL KITS



CATERPILLAR

CATERPILLAR

WHEEL DOZER

INDUSTRIAL
SEAL KITS

MOBILE
SEAL KITS



CATERPILLAR

Model	Application	Cylinder Group	Engineering Design Change Level	Cylinder Assembly Part No.	Bore	Rod	I	Ref. Number RCAT-	\$	
							M			
	Lift	4J6005	0-7	4J6239	6.500	2.500	I	2422554	87.68	
	Lift	4J6005	8-up	4J6239	6.500	2.500	I	2435803	142.45	
	Lift	4J7621	0-4	3J9708	6.500	2.500	I	2422554	87.68	
	Lift	4J7621	5-up	3J9708	6.500	2.500	I	2435803	142.45	
	Lift	4J9233	0-up	4J9655	4.500	2.000	I	2386882	78.49	
	Steering	7J9984	0-up	7J9982	5.000	2.250	I	2410895	130.11	
	Tilt	4J6006	0-7	4J6657	6.000	2.500	I	1864349	140.20	
824B	Blade	7K9401	0-up		5.000	2.250	I	2410895	130.11	
	Blade RH	4J4497	0-8	4J4515	6.500	2.500	I	2422555	207.95	
	Blade RH	4J4497	9-up	4J4515	6.500	2.500	I	2422541	174.97	
	Blade Tip	4J5632	0-8	4J5631	6.500	2.500	I	2422555	207.95	
	Blade Tip	4J5632	9-up	4J5631	6.500	2.500	I	2422541	174.97	
	Blade Tip LH	4J4498	0-7	4J4516	6.000	2.500	I	2422557	158.17	
	Blade Tip LH	4J4498	8-up	4J4516	6.000	2.500	I	2422540	129.22	
	Lift	3J9307	0-9	3J9708	6.500	2.500	I	2422554	87.68	
	Lift	3J9307	10-up	3J9708	6.500	2.500	I	2435803	142.45	
	Lift	4J6005	0-7	4J6239	6.500	2.500	I	2422554	87.68	
	Lift	4J6005	8-up	4J6239	6.500	2.500	I	2435803	142.45	
	Lift	4J7621	0-4	3J9708	6.500	2.500	I	2422554	87.68	
	Lift	4J7621	5-up	3J9708	6.500	2.500	I	2435803	142.45	
	Lift	4J9233	0-up	4J9655	4.500	2.000	I	2386882	78.49	
	Lift	6J1269	0-4	6J1268	6.500	2.500	I	2422554	87.68	
	Lift	6J1269	5-up	6J1268	6.500	2.500	I	2435803	142.45	
		Lift	6J1272	0-3	6J1271	6.500	2.500	I	2422554	87.68
Lift		6J1272	4-up	6J1271	6.500	2.500	I	2435803	142.45	
Lift		6J1273	0-3	6J1271	6.500	2.500	I	2422554	87.68	
Lift		6J1273	4-up	6J1271	6.500	2.500	I	2435803	142.45	
Steering		6J7590	0-up	6J7868	5.000	2.250	I	2410895	130.11	
Steering		7J9718	0-up	7J9717	5.000	2.250	I	2410895	130.11	
Steering		7J9984	0-up	7J9982	5.000	2.250	I	2410895	130.11	
Tilt		4J6006	0-7	4J6657	6.000	2.500	I	1864349	140.20	
824C		Blade RH	4J4497	0-8	4J4515	6.500	2.500	I	2422555	207.95
		Blade RH	4J4497	9-up	4J4515	6.500	2.500	I	2422541	174.97
	Blade Tip LH	4J4498	0-7	4J4516	6.000	2.500	I	2422557	158.17	
	Blade Tip LH	4J4498	8-up	4J4516	6.000	2.500	I	2422540	129.22	
	Lift	9J7111	3-4	3G2898	5.500	2.500	I	2430381	74.84	
	Lift	9J7111	5-up	3G2898	5.500	2.500	I	2422539	130.19	
	Steering	9J7086	3-7	9J7088	5.000	2.250	I	2410895	130.11	
	Steering	9J7086	8-up	9J7088	5.000	2.250	I	2417578	128.23	
	Steering	9J7087	3-7	9J7088	5.000	2.250	I	2410895	130.11	
	Steering	9J7087	8-up	9J7088	5.000	2.250	I	2417578	128.23	
	824G	Dozer	1164842	1-up	1164839	4.750	3.000	I	2275349	138.15
Steering		1175151	0-up	1174566	4.500	2.500	I	2310898	143.32	
Tilt LH		1169848	0-up	1170117	5.250	2.500	I	2435802	140.15	
Tilt RH		1169847	0-up	1170118	5.250	2.500	I	2435802	140.15	

All manufacturer's names, part numbers and descriptions are used for reference purposes only. We do not imply that any part shown is the product of these manufacturers.

WHEEL DOZER

CATERPILLAR

Model	Application	Cylinder Group	Engineering Design Change Level	Cylinder Assembly Part No.	Bore	Rod	I	Ref. Number RCAT-	\$
							M		
830M	Steering	7J9984	0-up	7J9982	5.000	2.250	I	2410895	130.11
834	Blade RH	4J4497	0-8	4J4515	6.500	2.500	I	2422555	207.95
	Blade RH	4J4497	9-up	4J4515	6.500	2.500	I	2422541	174.97
	Blade Tip	4J5632	0-8	4J5631	6.500	2.500	I	2422555	207.95
	Blade Tip	4J5632	9-up	4J5631	6.500	2.500	I	2422541	174.97
	Blade Tip LH	4J4498	0-7	4J4516	6.000	2.500	I	2422557	158.17
	Blade Tip LH	4J4498	8-up	4J4516	6.000	2.500	I	2422540	129.22
	Lift	4J6005	0-7	4J6239	6.500	2.500	I	2422554	87.68
	Lift	4J6005	8-up	4J6239	6.500	2.500	I	2435803	142.45
	Lift	4J7621	0-4	3J9708	6.500	2.500	I	2422554	87.68
	Lift	4J7621	5-up	3J9708	6.500	2.500	I	2435803	142.45
834B	Lift	4J9233	0-up	4J9655	4.500	2.000	I	2386882	78.49
	Lift	6J1269	0-4	6J1268	6.500	2.500	I	2422554	87.68
	Lift	6J1269	5-up	6J1268	6.500	2.500	I	2435803	142.45
	Lift	6J1272	0-3	6J1271	6.500	2.500	I	2422554	87.68
	Lift	6J1272	4-up	6J1271	6.500	2.500	I	2435803	142.45
	Steering	7J9984	0-up	7J9982	5.000	2.250	I	2410895	130.11
	Tilt	4J6006	0-7	4J6657	6.000	2.500	I	2422557	158.17
	Blade RH	4J4497	0-8	4J4515	6.500	2.500	I	2422555	207.95
	Blade RH	4J4497	9-up	4J4515	6.500	2.500	I	2422541	174.97
	Blade Tip LH	4J4498	0-7	4J4516	6.000	2.500	I	2422557	158.17
844	Blade Tip LH	4J4498	8-up	4J4516	6.000	2.500	I	2422540	129.22
	Lift	6J1272	0-3	6J1271	6.500	2.500	I	2422554	87.68
	Lift	6J1272	4-up	6J1271	6.500	2.500	I	2435803	142.45
	Steering	9J8165	0-3	8J8166	5.000	2.250	I	2410895	130.11
	Steering	9J8165	4-up	8J8166	5.000	2.250	I	2417578	128.23
	N/A	4Z6424	0-up	368194	5.250	3.000	I	2442065	164.15
	Steering LH	6E1244	0-up	6E1245	5.500	3.250	I	2297188	198.74
	Steering RH	9T9568	0-up	6E1245	5.500	3.250	I	2297188	198.74
	Tilt	6E4835	0-4	6E4858	8.250	3.500	I	2456837	204.51
	Tilt	6E4835	5-up	6E4858	8.250	3.500	I	2456835	241.54
854G	Tilt	6E4836	0-4	6E4857	8.250	3.500	I	2456837	204.51
	Tilt	6E4836	5-up	6E4857	8.250	3.500	I	2456835	241.54
	Dozer	1539938	0-up	9J0513	7.000	4.000	I	2295507	194.45
	Dozer	1539939	0-up	9J0513	7.000	4.000	I	2295507	194.45
	Steering	1128208	0-up	1134388	5.500	3.250	I	2297191	211.08
	Steering	1571352	0-up	1134388	5.500	3.250	I	2297191	211.08
	Tilt	9T3715	1-up	9T3717	10.500	4.000	I	2460649	381.55
	Tilt	9T3716	1-up	9T3718	10.500	4.000	I	2460649	381.55

All manufacturer's names, part numbers and descriptions are used for reference purposes only. We do not imply that any part shown is the product of these manufacturers.

INDUSTRIAL SEAL KITS

MOBILE SEAL KITS



CATERPILLAR

CATERPILLAR

WHEEL LOADER

Model	Application	Cylinder Group	Engineering Design Change Level	Cylinder Assembly Part No.	Bore	Rod	I	Ref. Number RCAT-	\$	
							M			
902	N/A	9T4006	0-up		3.000	1.500	I	2350354	82.67	
906	Steering RH	1250373	0-up	1250375	2.750	1.500	I	2339204	50.19	
910	Bucket	8J5391	0-up	8J5390	3.500	1.500	I	2465914	76.45	
	Lift	7J5893	0-8	8J4424	4.000	2.000	I	2406899	42.77	
	Lift	7J5893	9-up	8J4424	4.000	2.000	I	2339205	48.11	
	Lift	7J5894	0-8	7J5891	4.000	2.000	I	2406899	42.77	
	Lift	7J5894	9-up	7J5891	4.000	2.000	I	2339205	48.11	
	Steering	1U4666	0-3	1U4665	2.750	1.500	I	2465912	43.31	
	Steering	1U4666	4-up	1U4665	2.750	1.500	I	2465909	58.30	
	Steering	8J0070	8-up	1U4665	2.750	1.500	I	2465912	43.31	
910E	Tilt	1U3164	0-up		3.250	1.750	I	2401671	51.17	
	Tilt	1U3165	0-3		3.250	1.750	I	2401671	51.17	
	Tilt	1U3165	4-up	1U3166	3.250	1.750	I	1857030	103.00	
	Tilt	7J5885	0-up		3.000	1.750	I	2402016	70.99	
	Bucket	8J5391	0-up	8J5390	3.500	1.500	I	2465914	76.45	
	Lift	6E5895	0-up	6E5896	3.500	2.250	I	2350355	109.79	
	Lift	6E5969	0-up	6E5967	4.000	2.250	I	2342591	51.76	
	Lift	9T5745	0-up	9T5746	4.000	2.250	I	2342591	51.76	
	Steering	9T7209	0-2	9T7211	2.750	1.500	I	2465909	58.30	
	Steering	9T7209	3-up	9T7211	2.750	1.500	I	2339204	50.19	
	Steering	9T7210	0-2	9T7212	2.750	1.500	I	2465909	58.30	
		Steering	9T7210	3-up	9T7212	2.750	1.500	I	2339204	50.19
		Steering LH	6E5900	0-2	6E5902	2.750	1.750	I	2402482	63.41
	Steering LH	6E5900	3-up	6E5902	2.750	1.750	I	2342595	120.82	
	Steering LH	6E5973	0-up	6E5902	2.750	1.500	I	2339204	50.19	
	Steering RH	6E5972	0-1	6E5971	2.750	1.750	I	2402482	63.41	
	Steering RH	6E5972	2-up	6E5971	2.750	1.750	I	2342595	120.82	
	Steering RH	6E5985	0-up	6E5971	2.750	1.500	I	2339204	50.19	
	Tilt	6E5918	0-up	6E5917	4.000	2.250	I	2342591	51.76	
	Tilt	6E5966	0-1	6E5999	4.750	2.500	I	2430398	124.02	
	Tilt	6E5966	2-up	6E5999	4.750	2.500	I	2341948	149.11	
	Tilt	9T5778	0-up	9T5779	4.750	2.500	I	2430398	124.02	
910F	Bucket	8J5391	0-up	8J5390	3.500	1.500	I	2465914	76.45	
	Lift	6E5895	0-up	6E5896	3.500	2.250	I	2350355	109.79	
	Lift	6E5969	0-up	6E5967	4.000	2.250	I	2342591	51.76	
	Lift	9T5745	0-up	9T5746	4.000	2.250	I	2342591	51.76	
	Steering	9T7209	0-2	9T7211	2.750	1.500	I	2465909	58.30	
	Steering	9T7209	3-up	9T7211	2.750	1.500	I	2339204	50.19	
		Steering	9T7210	0-2	9T7212	2.750	1.500	I	2465909	58.30
		Steering	9T7210	3-up	9T7212	2.750	1.500	I	2339204	50.19
		Steering LH	6E5900	0-2	6E5902	2.750	1.750	I	2402482	63.41
		Steering LH	6E5900	3-up	6E5902	2.750	1.750	I	2342595	120.82
		Steering LH	6E5973	0-up	6E5902	2.750	1.500	I	2339204	50.19
	Steering RH	6E5972	0-1	6E5971	2.750	1.750	I	2402482	63.41	

All manufacturer's names, part numbers and descriptions are used for reference purposes only. We do not imply that any part shown is the product of these manufacturers.

Remsa [KITS]

WHEEL LOADER

CATERPILLAR

Model	Application	Cylinder Group	Engineering Design Change Level	Cylinder Assembly Part No.	Bore	Rod	I	Ref. Number RCAT-	\$
							M		
	Steering RH	6E5972	2-up	6E5971	2.750	1.750	I	2342595	120.82
	Steering RH	6E5985	0-up	6E5971	2.750	1.500	I	2339204	50.19
	Tilt	6E5918	0-up	6E5917	4.000	2.250	I	2342591	51.76
	Tilt	6E5966	0-1	6E5999	4.750	2.500	I	2430398	124.02
	Tilt	6E5966	2-up	6E5999	4.750	2.500	I	2341948	149.11
	Tilt	9T5778	0-up	9T5779	4.750	2.500	I	2430398	124.02
910G	Tilt	6E5918	0-up	6E5917	4.000	2.250	I	2342591	51.76
914G	Lift	1091334	0-up	1091335	3.500	2.250	I	2350355	109.79
	Lift	1116244	0-up	1116246	3.500	2.250	I	2350355	109.79
	Lift RH	1314401	0-up	1314404	3.500	2.250	I	2350355	109.79
	Lift RH	1314402	0-up	1314405	3.500	2.250	I	2350355	109.79
	Steering	1044187	0-up	1089325	2.500	1.500	I	2342592	80.78
	Steering	9T8823	0-up		2.000	1.000	I	9T0418	69.69
	Tilt	6E5918	0-up	6E5917	4.000	2.250	I	2342591	51.76
916	Bucket	3G7365	0-up		3.500	1.500	I	2465914	76.45
	Lift	4T8648	0-2	4T8649	4.250	2.250	I	2410898	91.68
	Lift	4T8648	3-up	9T4304	4.250	2.250	I	2417579	117.29
	Steering	1U3322	3-up	1U3323	3.000	1.500	I	2465913	51.33
	Tilt	3G6571	0-2	3G6570	4.750	2.500	I	2285271	124.37
	Tilt	3G6571	3-up	3G6570	4.750	2.500	I	2285272	146.02
918F	Lift	1342327	0-up	1342328	4.000	2.250	I	2418921	120.80
	Lift	9T3937	4-up	9T3938	4.000	2.250	I	2418921	120.80
	Steering	9T2637	2-up	9T2638	2.750	1.500	I	2339204	50.19
	Tilt	1107845	0-1	1107846	4.500	2.500	I	2435798	129.23
	Tilt	1107845	2-up	1107846	4.500	2.500	I	2310898	143.32
	Tilt	1342671	0-up	1342670	4.500	2.500	I	2310898	143.32
	Tilt	6E4651	0-3	6E4652	4.500	2.500	I	2435798	129.23
	Tilt	6E4651	4-up	6E4652	4.500	2.500	I	2310898	143.32
920	Bucket	7J6789	0-up	7J6676	4.000	2.000	I	2406899	42.77
	Bucket	8J5663	0-up	8J5664	4.000	2.000	I	2406899	42.77
	Bucket	8J5670	0-2	8J5671	4.000	2.000	I	2378277	109.50
	Bucket LH	6J2806	0-up	6J3640	4.000	2.000	I	2406899	42.77
	Bucket RH	6J2805	0-up	6J3639	4.000	2.000	I	2406899	42.77
	Lift	3G5512	0-5	3G5510	4.250	2.250	I	2410898	91.68
	Lift	3G5512	6-up	3G5510	4.250	2.250	I	2417579	117.29
	Lift LH	7J9852	0-up	7J9850	4.250	2.250	I	2410898	91.68
	Lift RH	3G5511	0-5	3G5509	4.250	2.250	I	2410898	91.68
	Lift RH	3G5511	6-up	3G5509	4.250	2.250	I	2417579	117.29
	Lift RH	7J9851	0-up	7J9849	4.250	2.250	I	2410898	91.68
	Steering	7J9838	0-7	7J9839	3.000	1.500	I	2465922	83.21
	Steering	7J9838	8-up	7J9839	3.000	1.500	I	2465923	102.16
	Tilt LH	3G5482	0-3	3G5480	4.000	2.000	I	2406899	42.77
	Tilt LH	3G5482	4-up	3G5480	4.000	2.000	I	2339205	48.11

All manufacturer's names, part numbers and descriptions are used for reference purposes only. We do not imply that any part shown is the product of these manufacturers.

INDUSTRIAL SEAL KITS

MOBILE SEAL KITS



CATERPILLAR

CATERPILLAR

WHEEL LOADER

Model	Application	Cylinder Group	Engineering Design Change Level	Cylinder Assembly Part No.	Bore	Rod	I	Ref. Number RCAT-	\$
							M		
	Tilt LH	7J3052	0-up	7J3050	4.000	2.000	I	2406899	42.77
	Tilt LH	7J9676	0-up	7J9678	4.000	2.000	I	2406899	42.77
	Tilt RH	3G5481	0-3	3G5479	4.000	2.000	I	2406899	42.77
	Tilt RH	3G5481	4-up	3G5479	4.000	2.000	I	2339205	48.11
	Tilt RH	7J3051	0-up	7J3049	4.000	2.000	I	2406899	42.77
	Tilt RH	7J9675	0-up	7J9677	4.000	2.000	I	2406899	42.77
924F	Lift	1342327	0-up	1342328	4.000	2.250	I	2418921	120.80
	Lift	9T3937	4-up	9T3938	4.000	2.250	I	2418921	120.80
	Steering	9T2637	2-up	9T2638	2.750	1.500	I	2339204	50.19
	Tilt	1107845	0-1	1107846	4.500	2.500	I	2435798	129.23
	Tilt	1107845	2-up	1107846	4.500	2.500	I	2310898	143.32
924G	Tilt	1342671	0-up	1342670	4.500	2.500	I	2310898	143.32
	Tilt	6E4651	0-3	6E4652	4.500	2.500	I	2435798	129.23
	Tilt	6E4651	4-up	6E4652	4.500	2.500	I	2310898	143.32
	Lift	1417483	0-up	1417486	4.000	2.500	I	2341949	121.35
	Lift	9T8823	0-up		2.000	1.000	I	9T0418	69.69
926	Bucket	4T9387	0	4T9386	4.000	2.000	I	2406899	42.77
	Bucket	4T9387	1-up	4T9386	4.000	2.000	I	2339205	48.11
	Lift	3G2991	4-6	9T4305	4.750	2.500	I	2285271	124.37
	Lift	3G2991	7-up	9T4305	4.750	2.500	I	2285272	146.02
	Steering	3G3501	0-7	3G3316	3.000	1.500	I	2465922	83.21
926E	Steering	3G3501	8-up	3G3316	3.000	1.500	I	2465913	51.33
	Tilt	3G2798	4-7	3G2787	5.500	2.500	I	2430383	86.70
	Tilt	3G2798	8-up	3G2787	5.500	2.500	I	2430395	165.47
	Bucket	4T9387	0	4T9386	4.000	2.000	I	2406899	42.77
	Bucket	4T9387	1-up	4T9386	4.000	2.000	I	2339205	48.11
	Lift	3G2991	4-6	9T4305	4.750	2.500	I	2285271	124.37
	Lift	3G2991	7-up	9T4305	4.750	2.500	I	2285272	146.02
	Steering	3G3501	0-7	3G3316	3.000	1.500	I	2465922	83.21
	Steering	3G3501	8-up	3G3316	3.000	1.500	I	2465913	51.33
	Tilt	3G2798	4-7	3G2787	5.500	2.500	I	2430383	86.70
Tilt	3G2798	8-up	3G2787	5.500	2.500	I	2430395	165.47	
928F	Lift	1341383	0-up	1341390	4.500	2.500	I	2310898	143.32
	Lift	6E1400	0-3	6E1401	4.500	2.500	I	2435798	129.23
	Lift	6E1400	4-up	6E1401	4.500	2.500	I	2310898	143.32
	Steering	9T6646	2-up	9T6674	2.750	1.500	I	2339204	50.19
	Tilt	1341382	0-up	1341389	4.750	2.500	I	2341948	149.11
928G	Tilt	9T6645	6-up	9T6730	4.750	2.500	I	2341948	149.11
	Lift	1191060	1-up	1191062	4.750	2.500	I	2341948	149.11
	Steering LH	1250374	0-up	1250376	2.750	1.500	I	2339204	50.19
	Steering RH	1250373	0-up	1250375	2.750	1.500	I	2339204	50.19
	Tilt	1188105	1-up	1188106	5.000	2.500	I	2275347	75.28

All manufacturer's names, part numbers and descriptions are used for reference purposes only. We do not imply that any part shown is the product of these manufacturers.

INDUSTRIAL
SEAL KITS

MOBILE
SEAL KITS



CATERPILLAR

Remsa [KITS]

WHEEL LOADER

CATERPILLAR

Model	Application	Cylinder Group	Engineering Design Change Level	Cylinder Assembly Part No.	Bore	Rod	I	Ref. Number RCAT-	\$	
							M			
930	Bucket	7J6789	0-up	7J6676	4.000	2.000	I	2406899	42.77	
	Bucket	8J5663	0-up	8J5664	4.000	2.000	I	2406899	42.77	
	Bucket	8J5670	0-2	8J5671	4.000	2.000	I	2378277	109.50	
	Bucket LH	6J2806	0-up	6J3640	4.000	2.000	I	2406899	42.77	
	Bucket RH	6J2805	0-up	6J3639	4.000	2.000	I	2406899	42.77	
	Lift	3G5471	0-6	3G5470	4.500	2.250	I	2410897	86.23	
	Lift	3G5471	7-up	3G5470	4.500	2.250	I	2417584	120.35	
	Lift LH	7J9872	0-4	7J9868	4.500	2.250	I	2410896	60.70	
	Lift LH	7J9872	5-up	7J9868	5.000	2.250	I	2418919	120.96	
	Lift RH	7J9871	0-4	7J9867	4.500	2.250	I	2410896	60.70	
	Lift RH	7J9871	5-up	7J9867	5.000	2.250	I	2418919	120.96	
	Log Fork RH	8J5676	0-up	8J5678	5.000	2.000	I	2384487	136.20	
		Steering	7J9838	0-7	7J9839	3.000	1.500	I	2465922	83.21
		Steering	7J9838	8-up	7J9839	3.000	1.500	I	2465923	102.16
Tilt LH		7J9730	0-3	7J9728	4.250	2.000	I	2384501	35.36	
Tilt LH		7J9730	4-up	7J9728	4.250	2.000	I	2409938	101.52	
Tilt RH		7J9729	0-3	7J9727	4.250	2.000	I	2384501	35.36	
Tilt RH		7J9729	4-up	7J9727	4.250	2.000	I	2409938	101.52	
930R		Lift LH	7J9872	0-4	7J9868	4.500	2.250	I	2410896	60.70
	Lift LH	7J9872	5-up	7J9868	5.000	2.250	I	2418919	120.96	
	Lift RH	7J9871	0-4	7J9867	4.500	2.250	I	2410896	60.70	
	Lift RH	7J9871	5-up	7J9867	5.000	2.250	I	2418919	120.96	
	Steering	7J9838	0-7	7J9839	3.000	1.500	I	2465922	83.21	
	Steering	7J9838	8-up	7J9839	3.000	1.500	I	2465923	102.16	
	Tilt LH	7J9730	0-3	7J9728	4.250	2.000	I	2384501	35.36	
	Tilt LH	7J9730	4-up	7J9728	4.250	2.000	I	2409938	101.52	
	Tilt RH	7J9729	0-3	7J9727	4.250	2.000	I	2384501	35.36	
	Tilt RH	7J9729	4-up	7J9727	4.250	2.000	I	2409938	101.52	
	930T	Lift LH	7J9872	0-4	7J9868	4.500	2.250	I	2410896	60.70
Lift LH		7J9872	5-up	7J9868	5.000	2.250	I	2418919	120.96	
Lift RH		7J9871	0-4	7J9867	4.500	2.250	I	2410896	60.70	
Lift RH		7J9871	5-up	7J9867	5.000	2.250	I	2418919	120.96	
Steering		7J9838	0-7	7J9839	3.000	1.500	I	2465922	83.21	
Steering		7J9838	8-up	7J9839	3.000	1.500	I	2465923	102.16	
	Tilt LH	7J9730	0-3	7J9728	4.250	2.000	I	2384501	35.36	
	Tilt LH	7J9730	4-up	7J9728	4.250	2.000	I	2409938	101.52	
	Tilt RH	7J9729	0-3	7J9727	4.250	2.000	I	2384501	35.36	
	Tilt RH	7J9729	4-up	7J9727	4.250	2.000	I	2409938	101.52	
	936	Lift	4T1674	5-up	9T4306	5.500	2.500	I	2285273	66.81
		Lift	9T1196	2-up	9T4306	5.500	2.500	I	2285273	66.81
Steering		3G5110	0-6	3G5109	3.500	1.750	I	2401661	63.68	
Steering		3G5110	7-up	3G5109	3.500	1.750	I	2401881	45.15	
Tilt		3G5291	3-5	3G5290	6.500	2.750	I	2435816	171.89	
Tilt		3G5291	6-up	3G5290	6.500	2.750	I	2435812	96.75	

All manufacturer's names, part numbers and descriptions are used for reference purposes only. We do not imply that any part shown is the product of these manufacturers.

INDUSTRIAL SEAL KITS

MOBILE SEAL KITS



CATERPILLAR

KITS 232

CATERPILLAR

WHEEL LOADER

Model	Application	Cylinder Group	Engineering Design Change Level	Cylinder Assembly Part No.	Bore	Rod	I	Ref. Number RCAT-	\$
							M		
936E	Lift	4T1674	5-up	9T4306	5.500	2.500	I	2285273	66.81
	Lift	9T1196	2-up	9T4306	5.500	2.500	I	2285273	66.81
	Steering	3G5110	0-6	3G5109	3.500	1.750	I	2401661	63.68
	Steering	3G5110	7-up	3G5109	3.500	1.750	I	2401881	45.15
	Tilt	3G5291	3-5	3G5290	6.500	2.750	I	2435816	171.89
	Tilt	3G5291	6-up	3G5290	6.500	2.750	I	2435812	96.75
936F	Lift	9T1196	2-up	9T4306	5.500	2.500	I	2285273	66.81
	Steering	3G5110	0-6	3G5109	3.500	1.750	I	2401661	63.68
	Steering	3G5110	7-up	3G5109	3.500	1.750	I	2401881	45.15
	Steering	6E2035	0-up	6E1089	3.500	1.750	I	2401881	45.15
	Tilt	3G5291	3-5	3G5290	6.500	2.750	I	2435816	171.89
938F	Tilt	3G5291	6-up	3G5290	6.500	2.750	I	2435812	96.75
	Lift	1287678	0-up	1287674	5.000	2.500	I	2275347	75.28
	Lift	9T7160	0-3	9T7410	4.750	2.500	I	2430398	124.02
	Lift	9T7160	4-up	9T7410	4.750	2.500	I	2341948	149.11
	Steering	1050094	0-up	1050097	3.000	1.750	I	2275350	24.93
	Tilt	1377655	0-up	9T7818	5.500	2.750	I	2280809	169.93
	Tilt	9T7161	0-up	9T7818	5.500	2.750	I	2280809	169.93
938G	Lift	1287678	0-up	1287674	5.000	2.500	I	2275347	75.28
	Steering	1052094	0-up	1050097	3.000	1.750	I	2275350	24.93
	Steering	1393312	0-up	1393313	3.000	1.750	I	2275350	24.93
944	Tilt	1377855	0-up	9T7818	5.500	2.750	I	2280809	169.93
	Tilt	9T7161	0-up	9T7818	5.500	2.750	I	2280809	169.93
950	Log Fork RH	8J5676	0-up	8J5678	5.000	2.000	I	2384487	136.20
	Grapple	8J2159	1-up	8J2158	3.000	1.750	I	2402016	70.99
	Lift	7J9690	0-2	7J9691	5.500	2.500	I	2430381	74.84
	Lift	7J9690	3-up	7J9691	5.500	2.500	I	2430381	74.84
	Log Fork RH	8J5676	0-up	8J5678	5.000	2.000	I	2384487	136.20
	Steering	7J9685	0-up	7J9686	3.500	1.500	I	2465915	96.71
	Tilt	7J9695	0-up	7J9921	5.500	2.500	I	2430381	74.84
	Tilt LH	7J9696	0-up	7J9922	5.500	2.500	I	2430381	74.84
950B	Tree Harvester Delimber	8J3829	0-up	8J3828	4.000	2.000	I	2406899	42.77
	Tree Harvester Delimber	9J2481	0-up	8J2158	3.000	1.750	I	2402016	70.99
	Lift	1U1147	0-2	3G8792	6.000	3.000	I	2442064	120.53
	Lift	1U1147	3-up	3G8792	6.000	3.000	I	2442062	192.16
	Lift	1U1148	0-2	3G8792	6.000	3.000	I	2442064	120.53
	Lift	1U1148	3-up	3G8792	6.000	3.000	I	2442062	192.16
	Lift	4T0263	0-1	4T0262	4.750	2.500	I	2285271	124.37
	Lift	4T0263	4-up	4T0262	4.750	2.500	I	2285272	146.02
	Lift LH	1U1147	0-2	3G8792	6.000	3.000	I	2442064	120.53
	Lift LH	1U1147	3-up	3G8792	6.000	3.000	I	2442062	192.16
	Lift RH	1U1148	0-2	3G8792	6.000	3.000	I	2442064	120.53

All manufacturer's names, part numbers and descriptions are used for reference purposes only. We do not imply that any part shown is the product of these manufacturers.

INDUSTRIAL
SEAL KITS

MOBILE
SEAL KITS



CATERPILLAR

WHEEL LOADER

CATERPILLAR

Model	Application	Cylinder Group	Engineering Design Change Level	Cylinder Assembly Part No.	Bore	Rod	I	Ref. Number RCAT-	\$
							M		
950E	Lift RH	1U1148	3-up	3G8792	6.000	3.000	I	2442062	192.16
	Steering	3G0892	5-9	3G0893	3.500	1.750	I	2401661	63.68
	Steering	3G0892	10-up	3G0893	3.500	1.750	I	2401881	45.15
	Steering	6E3889	0-up	6E3890	3.500	1.750	I	2401881	45.15
	Steering	6E4892	0-up	6E4893	3.500	1.750	I	2401881	45.15
	Tilt	3G8786	1-5	3G8785	7.000	3.250	I	2450585	113.34
	Tilt	3G8786	6-up	3G8785	7.000	3.250	I	2450586	210.05
	Lift	1U1147	0-2	3G8792	6.000	3.000	I	2442064	120.53
	Lift	1U1147	3-up	3G8792	6.000	3.000	I	2442062	192.16
	Lift	1U1148	0-2	3G8792	6.000	3.000	I	2442064	120.53
950F	Lift	1U1148	3-up	3G8792	6.000	3.000	I	2442062	192.16
	Lift	4T0263	0-1	4T0262	4.750	2.500	I	2285271	124.37
	Lift	4T0263	4-up	4T0262	4.750	2.500	I	2285272	146.02
	Lift LH	1U1147	0-2	3G8792	6.000	3.000	I	2442064	120.53
	Lift LH	1U1147	3-up	3G8792	6.000	3.000	I	2442062	192.16
	Lift RH	1U1148	0-2	3G8792	6.000	3.000	I	2442064	120.53
	Lift RH	1U1148	3-up	3G8792	6.000	3.000	I	2442062	192.16
	Steering	3G0892	5-9	3G0893	3.500	1.750	I	2401661	63.68
	Steering	3G0892	10-up	3G0893	3.500	1.750	I	2401881	45.15
	Steering	6E3889	0-up	6E3890	3.500	1.750	I	2401881	45.15
950G	Steering	6E4892	0-up	6E4893	3.500	1.750	I	2401881	45.15
	Tilt	3G8786	1-5	3G8785	7.000	3.250	I	2450585	113.34
	Tilt	3G8786	6-up	3G8785	7.000	3.250	I	2450586	210.05
	Lift RH	1188296	0-up	1250028	6.000	3.000	I	2281793	116.19
	Lift RH	1250024	0-up	1250028	6.000	3.000	I	2281793	116.19
	Steering	1188288	0-up	1195955	3.500	1.750	I	2401881	45.15
	Tilt	1189001	0-up	1189004	7.000	3.250	I	2281792	223.11
	Lift	1U1147	0-2	3G8792	6.000	3.000	I	2442064	120.53
	Lift	1U1147	3-up	3G8792	6.000	3.000	I	2442062	192.16
	Lift	1U1148	0-2	3G8792	6.000	3.000	I	2442064	120.53

All manufacturer's names, part numbers and descriptions are used for reference purposes only. We do not imply that any part shown is the product of these manufacturers.

INDUSTRIAL SEAL KITS

MOBILE SEAL KITS



CATERPILLAR

CATERPILLAR

WHEEL LOADER

Model	Application	Cylinder Group	Engineering Design Change Level	Cylinder Assembly Part No.	Bore	Rod	I	Ref. Number RCAT-	\$
							M		
	Lift	1U1148	3-up	3G8792	6.000	3.000	I	2442062	192.16
	Lift LH	1U1147	0-2	3G8792	6.000	3.000	I	2442064	120.53
	Lift LH	1U1147	3-up	3G8792	6.000	3.000	I	2442062	192.16
	Lift RH	1U1148	0-2	3G8792	6.000	3.000	I	2442064	120.53
	Lift RH	1U1148	3-up	3G8792	6.000	3.000	I	2442062	192.16
	Steering	3G0892	5-9	3G0893	3.500	1.750	I	2401661	63.68
	Steering	3G0892	10-up	3G0893	3.500	1.750	I	2401881	45.15
	Steering	6E3889	0-up	6E3890	3.500	1.750	I	2401881	45.15
	Steering	6E4892	0-up	6E4893	3.500	1.750	I	2401881	45.15
	Tilt	3G8786	1-5	3G8785	7.000	3.250	I	2450585	113.34
	Tilt	3G8786	6-up	3G8785	7.000	3.250	I	2450586	210.05
960G	Lift RH	1188296	0-up	1250028	6.000	3.000	I	2281793	116.19
	Lift RH	1250024	0-up	1250028	6.000	3.000	I	2281793	116.19
	Steering	1188288	0-up	1195955	3.500	1.750	I	2401881	45.15
	Tilt	1294447	0-up	1189004	7.000	3.250	I	2281779	235.85
962G	Lift RH	1188296	0-up	1250028	6.000	3.000	I	2281793	116.19
	Lift RH	1250024	0-up	1250028	6.000	3.000	I	2281793	116.19
	Steering	1188288	0-up	1195955	3.500	1.750	I	2401881	45.15
	Tilt	1294447	0-up	1189004	7.000	3.250	I	2281779	235.85
966A	Log Fork RH	8J5676	0-up	8J5678	5.000	2.000	I	2384487	136.20
	Tilt LH	6J6874	0-7	6J6890	6.000	2.500	I	2422558	219.28
	Tilt LH	6J6874	9-up	7J9362	6.000	2.500	I	2422550	187.33
	Tilt LH	7J9364	0-3	7J9362	6.000	2.500	I	2422558	219.28
	Tilt LH	7J9364	6-up	7J9362	6.000	2.500	I	2422550	187.33
	Tilt RH	6J6873	0-7	6J6889	6.000	2.500	I	2422558	219.28
	Tilt RH	6J6873	10-up	7J9361	6.000	2.500	I	2422550	187.33
966B	Lift	9J2434	0-2	9J2433	6.500	2.500	I	2435796	130.61
	Lift	9J2434	3-up	9J2433	6.500	2.500	I	2422549	171.65
	Log Fork	8J5755	0-up	8J5756	5.000	2.250	I	2410895	130.11
	Log Fork RH	8J5676	0-up	8J5678	5.000	2.000	I	2384487	136.20
	Steering	7J9356	0-5	7J9354	4.000	2.000	I	2378277	109.50
	Tilt LH	6J6874	0-7	6J6890	6.000	2.500	I	2422558	219.28
	Tilt LH	6J6874	9-up	7J9362	6.000	2.500	I	2422550	187.33
	Tilt LH	7J9364	0-3	7J9362	6.000	2.500	I	2422558	219.28
	Tilt LH	7J9364	6-up	7J9362	6.000	2.500	I	2422550	187.33
	Tilt RH	6J6873	0-7	6J6889	6.000	2.500	I	2422558	219.28
	Tilt RH	6J6873	10-up	7J9361	6.000	2.500	I	2422550	187.33
	Tilt RH	7J9363	0-3	7J9361	6.000	2.500	I	2422558	219.28
	Tilt RH	7J9363	5-up	7J9361	6.000	2.500	I	2422550	187.33

All manufacturer's names, part numbers and descriptions are used for reference purposes only. We do not imply that any part shown is the product of these manufacturers.

INDUSTRIAL
SEAL KITS

MOBILE
SEAL KITS



CATERPILLAR

Remsa [KITS]

WHEEL LOADER

CATERPILLAR

Model	Application	Cylinder Group	Engineering Design Change Level	Cylinder Assembly Part No.	Bore	Rod	I	Ref. Number RCAT-	\$
							M		
966C	Lift	9J2434	0-2	9J2433	6.500	2.500	I	2435796	130.61
	Lift	9J2434	3-up	9J2433	6.500	2.500	I	2422549	171.65
	Log Fork	8J5755	0-up	8J5756	5.000	2.250	I	2410895	130.11
	Log Fork RH	8J5676	0-up	8J5678	5.000	2.000	I	2384487	136.20
	Steering	7J9355	4-5	7J9353	4.000	2.000	I	2378277	109.50
	Steering	7J9356	0-5	7J9354	4.000	2.000	I	2378277	109.50
	Tilt LH	6J6874	0-7	6J6890	6.000	2.500	I	2422558	219.28
	Tilt LH	6J6874	9-up	7J9362	6.000	2.500	I	2422550	187.33
	Tilt LH	7J9364	0-3	7J9362	6.000	2.500	I	2422558	219.28
	Tilt LH	7J9364	6-up	7J9362	6.000	2.500	I	2422550	187.33
966D	Tilt RH	6J6873	0-7	6J6889	6.000	2.500	I	2422558	219.28
	Tilt RH	6J6873	10-up	7J9361	6.000	2.500	I	2422550	187.33
	Tilt RH	7J9363	0-3	7J9361	6.000	2.500	I	2422558	219.28
	Tilt RH	7J9363	5-up	7J9361	6.000	2.500	I	2422550	187.33
	Lift	3G5495	0-6	3G5502	7.000	3.250	I	2450581	204.44
	Lift	3G5495	7-10	3G5502	7.000	3.250	I	2450582	232.07
	Lift	3G5495	11-up	3G5502	7.000	3.250	I	2281779	235.85
	Lift	3G5496	0-5	3G5502	7.000	3.250	I	2450581	204.44
	Lift RH	3G5496	6-9	3G5502	7.000	3.250	I	2450582	232.07
	Lift RH	3G5496	10-up	3G5502	7.000	3.250	I	2281779	235.85
966E	Steering	4T1574	0-2	4T1580	4.000	2.000	I	2406899	42.77
	Steering	4T1574	3-up	4T1580	4.000	2.000	I	2339205	48.11
	Steering	6E5024	0-up	6E5025	4.000	2.000	I	2409538	59.15
	Steering	9J7061	5-up	9J7081	4.000	2.000	I	2406899	42.77
	Tilt	3G5497	7-up	3G5264	8.250	3.250	I	2450605	188.89
	Tilt	9T6267	0-up	9T6268	9.250	3.250	I	2450589	210.42
	Lift	3G5495	0-6	3G5502	7.000	3.250	I	2450581	204.44
	Lift	3G5495	7-10	3G5502	7.000	3.250	I	2450582	232.07
	Lift	3G5495	11-up	3G5502	7.000	3.250	I	2281779	235.85
	Lift	3G5496	0-5	3G5502	7.000	3.250	I	2450581	204.44
966F	Lift RH	3G5496	6-9	3G5502	7.000	3.250	I	2450582	232.07
	Lift RH	3G5496	10-up	3G5502	7.000	3.250	I	2281779	235.85
	Steering	4T1574	0-2	4T1580	4.000	2.000	I	2406899	42.77
	Steering	4T1574	3-up	4T1580	4.000	2.000	I	2339205	48.11
	Steering	6E5024	0-up	6E5025	4.000	2.000	I	2409538	59.15
	Steering	9J7061	5-up	9J7081	4.000	2.000	I	2406899	42.77
	Tilt	3G5497	7-up	3G5264	8.250	3.250	I	2450605	188.89
	Tilt	9T6267	0-up	9T6268	9.250	3.250	I	2450589	210.42
	Lift	3G5495	0-6	3G5502	7.000	3.250	I	2450581	204.44
	Lift	3G5495	7-10	3G5502	7.000	3.250	I	2450582	232.07

All manufacturer's names, part numbers and descriptions are used for reference purposes only. We do not imply that any part shown is the product of these manufacturers.

INDUSTRIAL SEAL KITS

MOBILE SEAL KITS



CATERPILLAR

KITS 236

CATERPILLAR

WHEEL LOADER

Model	Application	Cylinder Group	Engineering Design Change Level	Cylinder Assembly Part No.	Bore	Rod	I	Ref. Number RCAT-	\$	
							M			
966G	Steering	4T1574	3-up	4T1580	4.000	2.000	I	2339205	48.11	
	Steering	6E5024	0-up	6E5025	4.000	2.000	I	2409538	59.15	
	Tilt	3G5497	7-up	3G5264	8.250	3.250	I	2450605	188.89	
	Tilt	9T6267	0-up	9T6268	9.250	3.250	I	2450589	210.42	
	Lift LH	1332964	0-up	1334048	7.000	3.250	I	2281779	235.85	
	Lift RH	1332963	0-up	1334048	7.000	3.250	I	2281779	235.85	
966R	Steering	1331747	0-up	1354688	3.500	2.000	I	2281778	82.52	
	Lift	9J2434	0-2	9J2433	6.500	2.500	I	2435796	130.61	
	Lift	9J2434	3-up	9J2433	6.500	2.500	I	2422549	171.65	
970F	Steering	7J9356	0-5	7J9354	4.000	2.000	I	2378277	109.50	
	Tilt LH	7J9364	0-3	7J9362	6.000	2.500	I	2422558	219.28	
	Tilt LH	7J9364	6-up	7J9362	6.000	2.500	I	2422550	187.33	
	Tilt RH	7J9363	0-3	7J9361	6.000	2.500	I	2422558	219.28	
	Tilt RH	7J9363	5-up	7J9361	6.000	2.500	I	2422550	187.33	
	Lift LH	6E5879	0-up	6E5880	7.000	3.250	I	2281779	235.85	
	Lift RH	6E5878	0-up	6E5880	7.000	3.250	I	2281779	235.85	
	Steering	4T1574	0-2	4T1580	4.000	2.000	I	2406899	42.77	
	Steering	4T1574	3-up	4T1580	4.000	2.000	I	2339205	48.11	
	Steering	6E5024	0-up	6E5025	4.000	2.000	I	2409538	59.15	
972G	Tilt	3G5497	7-up	3G5264	8.250	3.250	I	2450605	188.89	
	Tilt	6E5873	0-up	6E5876	8.250	3.250	I	2450593	220.38	
	Lift LH	1332964	0-up	1334048	7.000	3.250	I	2281779	235.85	
	Lift RH	1332963	0-up	1334048	7.000	3.250	I	2281779	235.85	
	Steering	1331747	0-up	1354688	3.500	2.000	I	2281778	82.52	
	980	Lift	7J9818	0-3	7J9817	7.250	3.000	I	2442076	186.45
		Lift	7J9818	4-up	7J9817	7.250	3.000	I	2442056	172.53
		Log Fork	8J5767	0-up	8J5768	5.000	2.250	I	2410895	130.11
		Steering LH	7J9786	5-7	7J9783	4.500	2.250	I	2410896	60.70
		Steering LH	7J9786	8-up	7J9783	4.500	2.250	I	2418917	119.81
Steering RH		7J9785	5-7	7J9783	4.500	2.250	I	2410896	60.70	
Steering RH		7J9785	8-up	7J9783	4.500	2.250	I	2418917	119.81	
Tilt LH		7J9742	0-3	7J9738	5.500	2.500	I	2430381	74.84	
980B	Tilt LH	7J9742	4-up	7J9738	5.500	2.500	I	2430381	74.84	
	Tilt RH	7J9741	0-2	7J9737	5.500	2.500	I	2430381	74.84	
	Tilt RH	7J9741	3-up	7J9737	5.500	2.500	I	2430381	74.84	
	Lift	7J9818	0-3	7J9817	7.250	3.000	I	2442076	186.45	
	Lift	7J9818	4-up	7J9817	7.250	3.000	I	2442056	172.53	
	Log Fork	8J5767	0-up	8J5768	5.000	2.250	I	2410895	130.11	
	Steering LH	7J9786	5-7	7J9783	4.500	2.250	I	2410896	60.70	
	Steering LH	7J9786	8-up	7J9783	4.500	2.250	I	2418917	119.81	
	Steering RH	7J9785	5-7	7J9783	4.500	2.250	I	2410896	60.70	
	Steering RH	7J9785	8-up	7J9783	4.500	2.250	I	2418917	119.81	

All manufacturer's names, part numbers and descriptions are used for reference purposes only. We do not imply that any part shown is the product of these manufacturers.

Remsa [KITS]

WHEEL LOADER

CATERPILLAR

Model	Application	Cylinder Group	Engineering Design Change Level	Cylinder Assembly Part No.	Bore	Rod	I	Ref. Number RCAT-	\$
							M		
980C	Tilt LH	7J9742	0-3	7J9738	5.500	2.500	I	2430381	74.84
	Tilt LH	7J9742	4-up	7J9738	5.500	2.500	I	2430381	74.84
	Tilt RH	7J9741	0-2	7J9737	5.500	2.500	I	2430381	74.84
	Tilt RH	7J9741	3-up	7J9737	5.500	2.500	I	2430381	74.84
	Lift	1U3527	0-6		7.500	3.500	I	2456831	268.84
	Lift	9J5559	3-9	9J5563	7.500	3.500	I	2456831	268.84
	Steering	6E6653	0-up	6E6654	4.500	2.250	I	2417585	115.93
	Steering	9J5869	2-3	9J5870	4.500	2.250	I	2410896	60.70
	Steering	9J5869	4-up	9J5870	4.500	2.250	I	2418917	119.81
	Steering	9J6536	2-3	9J5870	4.500	2.250	I	2410896	60.70
	Steering LH	9J6536	4-up	9J5870	4.500	2.250	I	2418917	119.81
	Steering RH	9J5869	2-3	9J5870	4.500	2.250	I	2410896	60.70
	Steering RH	9J5869	4-up	9J5870	4.500	2.250	I	2418917	119.81
	Tilt	3G5069	0-2	3G5102	7.000	2.750	I	2435815	189.10
	Tilt	3G5069	3-up	3G5102	7.000	2.750	I	2435818	224.62
	Tilt LH	3G1306	7-up	9J5546	6.250	2.750	I	2280808	116.29
Tilt LH	3G5070	0-1	3G5102	7.000	2.750	I	2435815	189.10	
Tilt LH	3G5070	2-up	3G5102	7.000	2.750	I	2435818	224.62	
Tilt LH	4T6791	0-up	9J5546	6.250	3.000	I	2442060	110.81	
Tilt LH	9T2419	0	9J5546	6.250	3.000	I	2442060	110.81	
Tilt LH	9T2419	1-up	9J5546	6.250	3.000	I	2280807	178.43	
Tilt RH	3G1305	7-up	6C8560	6.250	2.750	I	2280808	116.29	
Tilt RH	3G5069	0-2	3G5102	7.000	2.750	I	2435815	189.10	
Tilt RH	3G5069	3-up	3G5102	7.000	2.750	I	2435818	224.62	
Tilt RH	4T7949	0-up	9J5546	6.250	3.000	I	2442060	110.81	
Tilt RH	9T2418	0	6C8560	6.250	3.000	I	2442060	110.81	
Tilt RH	9T2418	1-up	6C8560	6.250	3.000	I	2280807	178.43	
Lift	1U3527	0-6		7.500	3.500	I	2456831	268.84	
Steering	6E6653	0-up	6E6654	4.500	2.250	I	2417585	115.93	
Steering	9J5869	2-3	9J5870	4.500	2.250	I	2410896	60.70	
Steering	9J5869	4-up	9J5870	4.500	2.250	I	2418917	119.81	
Steering	9J6536	2-3	9J5870	4.500	2.250	I	2410896	60.70	
Steering LH	9J6536	4-up	9J5870	4.500	2.250	I	2418917	119.81	
Steering RH	9J5869	2-3	9J5870	4.500	2.250	I	2410896	60.70	
Steering RH	9J5869	4-up	9J5870	4.500	2.250	I	2418917	119.81	
Tilt	3G5069	0-2	3G5102	7.000	2.750	I	2435815	189.10	
Tilt	3G5069	3-up	3G5102	7.000	2.750	I	2435818	224.62	
Tilt LH	3G5070	0-1	3G5102	7.000	2.750	I	2435815	189.10	
Tilt LH	3G5070	2-up	3G5102	7.000	2.750	I	2435818	224.62	
Tilt LH	4T6791	0-up	9J5546	6.250	3.000	I	2442060	110.81	
Tilt LH	9T2419	0	9J5546	6.250	3.000	I	2442060	110.81	
Tilt LH	9T2419	1-up	9J5546	6.250	3.000	I	2280807	178.43	
Tilt RH	3G5069	0-2	3G5102	7.000	2.750	I	2435815	189.10	
Tilt RH	3G5069	3-up	3G5102	7.000	2.750	I	2435818	224.62	
Tilt RH	3G5102	0-2	3G5102	7.000	2.750	I	2435815	189.10	
Tilt RH	4T7949	0-up	9J5546	6.250	3.000	I	2442060	110.81	

All manufacturer's names, part numbers and descriptions are used for reference purposes only. We do not imply that any part shown is the product of these manufacturers.

INDUSTRIAL SEAL KITS

MOBILE SEAL KITS



CATERPILLAR

CATERPILLAR

WHEEL LOADER

Model	Application	Cylinder Group	Engineering Design Change Level	Cylinder Assembly Part No.	Bore	Rod	I	Ref. Number RCAT-	\$
							M		
980G	Tilt RH	9T2418	0	6C8560	6.250	3.000	I	2442060	110.81
	Tilt RH	9T2418	1-up	6C8560	6.250	3.000	I	2280807	178.43
	Lift	1118181	0-up	1118182	7.750	3.500	I	2281775	127.98
	Tilt	1125003	0-1	1125005	6.250	2.750	I	2280808	116.29
	Tilt	1463032	0-up	1463033	7.000	3.000	I	2280806	185.89
988	Tilt LH	1240617	0-up	1240614	7.000	3.000	I	2280806	185.89
	Tilt RH	1240616	0-up	1240613	7.000	3.000	I	2280806	185.89
	Tilt RH	1246228	0-up	1239755	6.250	3.000	I	2280807	178.43
	Lift	4J7377	0-up	4J7039	8.250	3.250	I	2450584	212.34
	Lift	7J1419	0-up	7J1418	7.250	3.250	I	1354446	174.04
	Lift	7J9744	0-up	7J9743	8.250	3.250	I	2450580	162.10
	Lift	7J9809	0-up	7J9801	7.250	3.250	I	1354446	174.04
	Lift	9J4893	0-up	7J9743	8.250	3.250	I	2450580	162.10
	N/A	7K9401	0-up		5.000	2.250	I	2410895	130.11
	Steering	6J7590	0-up	6J7868	5.000	2.250	I	2410895	130.11
	Steering	7J9718	0-up	7J9717	5.000	2.250	I	2410895	130.11
	Steering	7J9984	0-up	7J9982	5.000	2.250	I	2410895	130.11
	Tilt	4J5743	6-9	4J5741	6.500	2.500	I	2430382	63.76
	Tilt LH	4J5744	6-up	4J5742	6.500	2.500	I	2430382	63.76
	Tilt LH	7J9762	0-up	7J9760	6.500	2.750	I	2355802	129.04
988B	Tilt RH	4J5743	9-up	4J5741	6.500	2.500	I	2430382	63.76
	Tilt RH	7J9761	0-up	7J9759	6.500	2.750	I	2355802	129.04
	Lift	4T7585	0-up	4T7587	8.500	4.000	I	2460659	173.26
	Lift	8J5779	0-up	9J3915	8.500	4.000	I	2463427	242.76
	Lift	9T8257	0-up	9T8258	8.500	4.000	I	2460659	173.26
	Steering	5R4547	0-2	9J8166	5.000	2.250	I	2410895	130.11
	Steering	5R4547	3-up	9J8166	5.000	2.250	I	2417578	128.23
	Steering	9J8165	0-3	8J8166	5.000	2.250	I	2410895	130.11
	Steering	9J8165	4-up	8J8166	5.000	2.250	I	2417578	128.23
	Tilt	1003855	0-up		3.000	-	I	1011584	57.11
988F	Tilt	3G2976	3-up	3G2975	8.500	3.500	I	2456832	275.32
	Tilt	4T6792	2-up	9J3634	7.750	3.500	I	2281775	127.98
	Tilt	9J3632	4-up	9J3634	7.750	3.250	I	2450594	211.81
	Lift	9T8257	0-up	9T8258	8.500	4.000	I	2460659	173.26
	Steering	9J8165	0-3	8J8166	5.000	2.250	I	2410895	130.11
	Steering	9J8165	4-up	8J8166	5.000	2.250	I	2417578	128.23
	Tilt	3G2976	0-2	3G2975	8.500	3.500	I	2456832	275.32
988G	Tilt	4T6792	2-up	9J3634	7.750	3.500	I	2281775	127.98
	Tilt	9J3632	4-up	9J3634	7.750	3.250	I	2450594	211.81
	Steering	1338173	0-4	1352571	4.000	2.500	I	2341949	121.35
	Steering	1353288	0-4	1353289	4.000	2.500	I	2341949	121.35
	Steering LH	1338173	4-up	1352571	4.000	2.500	I	2341949	121.35
	Steering RH	1353288	4-up	1353289	4.000	2.500	I	2341949	121.35

All manufacturer's names, part numbers and descriptions are used for reference purposes only. We do not imply that any part shown is the product of these manufacturers.

INDUSTRIAL
SEAL KITS

MOBILE
SEAL KITS



CATERPILLAR

Remsa [KITS]

WHEEL LOADER

CATERPILLAR

Model	Application	Cylinder Group	Engineering Design Change Level	Cylinder Assembly Part No.	Bore	Rod	I	Ref. Number RCAT-	\$
							M		
980F	Lift	1U3527	1-2	1U3526	7.500	3.500	I	2456831	268.84
	Tilt LH	3G1762	7-up	9J5546	6.250	2.750	I	2280808	116.29
	Tilt RH	3G1306	7-up	6C8560	6.250	2.750	I	2280808	116.29
980G	Steering	1151371	0-up	1153595	4.000	2.250	I	2418921	120.80
	Tilt LH	1125004	0-up	1125068	6.250	2.750	I	2280808	116.29
	Tilt LH	1246227	0-up	1125068	6.250	3.000	I	2280807	178.43
	Tilt LH	1463035	0-up	1463036	7.000	3.000	I	2280806	185.89
	Tilt RH	1125003	1-up	1239755	6.250	2.750	I	2280808	116.29
990	Lift	9T9569	0-up	6E1361	9.250	6.000	I	2297174	336.15
	Steering LH	6E1244	0-up	6E1245	5.500	3.250	I	2297188	198.74
992	Steering RH	9T9568	0-up	6E1245	5.500	3.250	I	2297188	198.74
	Tilt	1459897	0-up	1459898	11.500	5.750	I	2297176	381.17
	Tilt	9T9570	0-up	6E1163	11.500	5.750	I	2297176	381.17
992B	Lift	7J8969	0-up	7J8967	10.500	6.500	I	2481188	295.27
	Lift	7J8970	0-6	7J8968	10.500	6.500	I	2481188	295.27
	Lift LH	8J5978	0-4	7J8968	10.500	6.500	I	2481188	295.27
	Lift LH	8J5978	5-up	7J8968	10.500	6.500	I	2481189	422.02
	Lift RH	8J5977	0-4	7J8967	10.500	6.500	I	2481188	295.27
	Lift RH	8J5977	5-up	7J8967	10.500	6.500	I	2481189	422.02
	Steering	8J6339	0-2	7J9798	5.500	2.500	I	2430381	74.84
	Steering	8J6339	3-up	7J9798	5.500	2.500	I	2422539	130.19
	Tilt LH	8J6338	4-up	7J9810	8.500	3.500	I	2456832	275.32
992C	Tilt RH	8J6337	4-up	7J9809	8.500	3.500	I	2456832	275.32
	Lift	7J8969	0-up	7J8967	10.500	6.500	I	2481188	295.27
	Lift	7J8970	0-6	7J8968	10.500	6.500	I	2481188	295.27
	Lift LH	8J5978	0-4	7J8968	10.500	6.500	I	2481188	295.27
	Lift LH	8J5978	5-up	7J8968	10.500	6.500	I	2481189	422.02
	Lift RH	8J5977	0-4	7J8967	10.500	6.500	I	2481188	295.27
	Lift RH	8J5977	5-up	7J8967	10.500	6.500	I	2481189	422.02
	Steering	8J6339	0-2	7J9798	5.500	2.500	I	2430381	74.84
	Steering	8J6339	3-up	7J9798	5.500	2.500	I	2422539	130.19
	Tilt LH	8J6338	4-up	7J9810	8.500	3.500	I	2456832	275.32
992C	Tilt RH	8J6337	4-up	7J9809	8.500	3.500	I	2456832	275.32
	Lift	1U1771	3-up	1U1772	11.500	7.000	I	2465907	332.19
	Lift	9J2994	9-up	3G4417	11.500	7.000	I	2465907	332.19
	Steering	9J5419	0-4	9J5420	7.000	3.250	I	2450581	204.44
	Steering	9J5419	5-7	9J5420	7.000	3.250	I	2450582	232.07
	Steering	9J5419	8-up	9J5420	7.000	3.250	I	2281779	235.85
	Tilt	1U1766	0-4	1U1765	10.000	4.000	I	2460645	220.02
	Tilt	1U1766	5-up	1U1765	10.000	4.000	I	2460644	321.11
	Tilt	1U1767	0-4	1U1765	10.000	4.000	I	2460645	220.02
	Tilt	1U1767	5-up	1U1765	10.000	4.000	I	2460644	321.11
	Tilt	3G4598	11-17	9J3376	10.000	4.000	I	2460644	321.11

All manufacturer's names, part numbers and descriptions are used for reference purposes only. We do not imply that any part shown is the product of these manufacturers.

INDUSTRIAL SEAL KITS

MOBILE SEAL KITS



CATERPILLAR

Remsa [KITS]

CATERPILLAR

WHEEL LOADER

Model	Application	Cylinder Group	Engineering Design Change Level	Cylinder Assembly Part No.	Bore	Rod	I M	Ref. Number RCAT-	\$
	Tilt	3G4599	11-15	9J3376	10.000	4.000	I	2460644	321.11
	Tilt LH	1U1767	0-4	1U1765	10.000	4.000	I	2460645	220.02
	Tilt LH	1U1767	5-up	1U1765	10.000	4.000	I	2460644	321.11
	Tilt LH	3G4599	15-up	9J3376	10.000	4.000	I	2460644	321.11
	Tilt RH	1U1766	0-4	1U1765	10.000	4.000	I	2460645	220.02
	Tilt RH	1U1766	5-up	1U1765	10.000	4.000	I	2460644	321.11
	Tilt RH	3G4598	17-up	9J3376	10.000	4.000	I	2460644	321.11
992D	Lift	1028731	0-up	3G4417	11.500	7.000	I	2465907	332.19
	Lift	1U1839	3-5	1U1772	11.500	7.000	I	2465907	332.19
	Lift	1U1839	6-up	1U1772	11.500	7.000	I	2410900	60.82
	Lift	9J2994	9-up	3G4417	11.500	7.000	I	2465907	332.19
	Steering	9J5419	0-4	9J5420	7.000	3.250	I	2450581	204.44
	Steering	9J5419	5-7	9J5420	7.000	3.250	I	2450582	232.07
	Steering	9J5419	8-up	9J5420	7.000	3.250	I	2281779	235.85
	Tilt	1U1766	0-4	1U1765	10.000	4.000	I	2460645	220.02
	Tilt	1U1766	5-up	1U1765	6.000	4.000	I	2460650	345.74
	Tilt	1U1767	0-4	1U1765	10.000	4.000	I	2460645	220.02
	Tilt	1U1767	5-up	1U1765	6.000	4.000	I	2460650	345.74
	Tilt	3G4598	11-17	9J3376	10.000	4.000	I	2460644	321.11
	Tilt	3G4599	11-15	9J3376	10.000	4.000	I	2460644	321.11
	Tilt LH	1026248	0-up	9J3376	10.000	4.000	I	2460644	321.11
	Tilt LH	1U1771	10-up	1U1765	6.000	4.000	I	2460650	345.74
	Tilt LH	3G4615	15-up	9J3376	10.000	4.000	I	2460644	321.11
992G	Tilt RH	1026247	0-up	9J3376	10.000	4.000	I	2460644	321.11
	Tilt RH	1U1766	0-4	1U1765	6.000	4.000	I	2460645	220.02
	Tilt RH	1U1766	5-up	1U1765	6.000	4.000	I	2460644	321.11
	Tilt RH	3G4599	17-up	9J3376	10.000	4.000	I	2460644	321.11
	Lift	1128209	0-11	1129823	11.000	7.000	I	2463450	458.50
	Lift	1128209	12-up	1129823	11.000	7.000	I	2463450	458.50
	Lift RH	1367880	0-3	1367879	11.000	7.000	I	2463450	458.50
	Lift RH	1367880	4-up	1367879	11.000	7.000	I	2463450	458.50
	Steering	1128208	0-up	1134388	5.500	3.250	I	2297191	211.08
	Tilt	1124282	0-11	1124283	11.000	5.500	I	2297190	397.73
Tilt	1124282	12-up	1124283	11.000	5.500	I	2297190	397.73	
994	Lift	9T9020	0-up	6E0033	12.500	8.000	I	2456821	872.60
	Lift	9T9023	0-up	6E0279	12.500	8.000	I	2456821	872.60
	Steering	6E0529	0-up	6E0530	7.750	4.250	I	2463431	373.73
	Steering	9T9019	0-up	6E0521	7.750	4.250	I	2463431	373.73
	Tilt	9T9021	7-15	6E0509	10.500	5.500	I	2463437	519.43
	Tilt	9T9021	16-up	6E0509	10.500	5.500	I	2481198	602.69
	Tilt	9T9022	7-15	6E0509	10.500	5.500	I	2463437	519.43
	Tilt	9T9022	16-up	6E0509	10.500	5.500	I	2481198	602.69
	Tilt	9T9024	7-9	6E0509	10.500	5.500	I	2463437	519.43
Tilt	9T9025	7-9	6E0509	10.500	5.500	I	2463437	519.43	
Tilt LH	1123172	0-9	6E0509	10.500	5.500	I	2463437	519.43	

All manufacturer's names, part numbers and descriptions are used for reference purposes only. We do not imply that any part shown is the product of these manufacturers.

INDUSTRIAL SEAL KITS

MOBILE SEAL KITS



CATERPILLAR

WHEEL LOADER

CATERPILLAR

Model	Application	Cylinder Group	Engineering Design Change Level	Cylinder Assembly Part No.	Bore	Rod	I	Ref. Number RCAT-	\$
							M		
	Tilt LH	1123172	10-up	6E0509	10.500	5.500	I	2481198	602.69
	Tilt LH	1142821	0-up	6E0509	10.500	5.500	I	2463437	519.43
	Tilt LH	9T9022	7-15	6E0509	10.500	5.500	I	2463437	519.43
	Tilt LH	9T9022	16-up	6E0509	10.500	5.500	I	2481198	602.69
	Tilt LH	9T9025	9-up	6E0509	10.500	5.500	I	2463437	519.43
	Tilt RH	1123171	0-9	6E0509	10.500	5.500	I	2463437	519.43
	Tilt RH	1123171	10-up	6E0509	10.500	5.500	I	2481198	602.69
	Tilt RH	1142820	0-up	6E0509	10.500	5.500	I	2463437	519.43
	Tilt RH	9T9021	7-15	6E0509	10.500	5.500	I	2463437	519.43
	Tilt RH	9T9021	16-up	6E0509	10.500	5.500	I	2481198	602.69
	Tilt RH	9T9024	9-up	6E0509	10.500	5.500	I	2463437	519.43
994D	Lift	9T9020	0-up	6E0033	12.500	8.000	I	2456821	872.60
	Lift	9T9023	0-up	6E0279	12.500	8.000	I	2456821	872.60
	Steering	6E0529	0-up	6E0530	7.750	4.250	I	2463431	373.73
	Steering	9T9019	0-up	6E0521	7.750	4.250	I	2463431	373.73
	Tilt	9T9021	7-15	6E0509	10.500	5.500	I	2463437	519.43
	Tilt	9T9021	16-up	6E0509	10.500	5.500	I	2481198	602.69
	Tilt	9T9022	7-15	6E0509	10.500	5.500	I	2463437	519.43
	Tilt	9T9022	16-up	6E0509	10.500	5.500	I	2481198	602.69
	Tilt	9T9024	7-9	6E0509	10.500	5.500	I	2463437	519.43
	Tilt	9T9025	7-9	6E0509	10.500	5.500	I	2463437	519.43
	Tilt LH	1123172	0-9	6E0509	10.500	5.500	I	2463437	519.43
	Tilt LH	1123172	10-up	6E0509	10.500	5.500	I	2481198	602.69
	Tilt LH	1142821	0-up	6E0509	10.500	5.500	I	2463437	519.43
	Tilt LH	9T9022	7-15	6E0509	10.500	5.500	I	2463437	519.43
	Tilt LH	9T9022	16-up	6E0509	10.500	5.500	I	2481198	602.69
	Tilt LH	9T9025	9-up	6E0509	10.500	5.500	I	2463437	519.43
	Tilt RH	1123171	0-9	6E0509	10.500	5.500	I	2463437	519.43
	Tilt RH	1123171	10-up	6E0509	10.500	5.500	I	2481198	602.69
	Tilt RH	1142820	0-up	6E0509	10.500	5.500	I	2463437	519.43
	Tilt RH	9T9021	7-15	6E0509	10.500	5.500	I	2463437	519.43
	Tilt RH	9T9021	16-up	6E0509	10.500	5.500	I	2481198	602.69
	Tilt RH	9T9024	9-up	6E0509	10.500	5.500	I	2463437	519.43
G910	Lift	7J5694	2-8	7J5891	4.000	2.000	I	2406899	42.77
	Lift	7J5893	0-8	8J4424	4.000	2.000	I	2406899	42.77
	Lift	7J5893	9-up	8J4424	4.000	2.000	I	2339205	48.11
	Lift	7J5894	0-8	7J5891	4.000	2.000	I	2406899	42.77
	Lift	7J5894	9-up	7J5891	4.000	2.000	I	2339205	48.11
	Steering	1U4666	0-3	1U4665	2.750	1.500	I	2465912	43.31
	Steering	1U4666	4-up	1U4665	2.750	1.500	I	2465909	58.30
	Tilt	1U3165	0-3		3.250	1.750	I	2401671	51.17
	Tilt	1U3165	4-up	1U3166	3.250	1.750	I	1857030	103.00
	Tilt	7J5885	0-up		3.000	1.750	I	2402016	70.99
G916	Lift	4T8648	0-2	4T8649	4.250	2.250	I	2410898	91.68
	Lift	4T8648	3-up	9T4304	4.250	2.250	I	2417579	117.29

All manufacturer's names, part numbers and descriptions are used for reference purposes only. We do not imply that any part shown is the product of these manufacturers.

INDUSTRIAL SEAL KITS

MOBILE SEAL KITS



CATERPILLAR

CATERPILLAR

WHEEL LOADER

Model	Application	Cylinder Group	Engineering Design Change Level	Cylinder Assembly Part No.	Bore	Rod	I	Ref. Number RCAT-	\$
							M		
G926	Steering	1U3322	3-up	1U3323	3.000	1.500	I	2465913	51.33
	Tilt	3G6571	0-2	3G6570	4.750	2.500	I	2285271	124.37
	Tilt	3G6571	3-up	3G6570	4.750	2.500	I	2285272	146.02
	Lift	3G2991	7-up	9T4305	4.750	2.500	I	2285272	146.02
	Lift	3G2991	4-6	9T4305	4.750	2.500	I	2285271	124.37
	Steering	3G3501	0-7	3G3316	3.000	1.500	I	2465922	83.21
G936	Steering	3G3501	8-up	3G3316	3.000	1.500	I	2465913	51.33
	Tilt	3G2798	4-7	3G2787	5.500	2.500	I	2430383	86.70
	Tilt	3G2798	8-up	3G2787	5.500	2.500	I	2430395	165.47
	Lift	4T1674	5-up	9T4306	5.500	2.500	I	2285273	66.81
	Lift	9T1196	2-up	9T4306	5.500	2.500	I	2285273	66.81
	Steering	3G5110	0-6	3G5109	3.500	1.750	I	2401661	63.68
	Steering	3G5110	7-up	3G5109	3.500	1.750	I	2401881	45.15
	Tilt	3G5291	3-5	3G5290	6.500	2.750	I	2435816	171.89
	Tilt	3G5291	6-up	3G5290	6.500	2.750	I	2435812	96.75

INDUSTRIAL
SEAL KITS

MOBILE
SEAL KITS



CATERPILLAR

Remsa [KITS]

KIT LISTING

CATERPILLAR

Ref. Number RCAT-	BORE	ROD	\$	Ref. Number RCAT-	BORE	ROD	\$	Ref. Number RCAT-	BORE	ROD	\$
1373496	5.000	2.500	131.31	1540748	130.00	90.00	244.73	1622162	-	-	46.99
1373529	4.500	2.250	53.16	1540757	130.00	90.00	380.89	1622163	-	-	42.37
1373602	5.000	2.250	128.81	1540761	140.00	100.00	324.72	1624675	110.00	80.00	227.38
1373658	120.00	85.00	364.02	1540766	150.00	105.00	333.38	1624676	120.00	85.00	266.39
1373661	140.00	100.00	126.69	1540773	130.00	90.00	380.64	1624677	100.00	70.00	208.33
1373763	120.00	85.00	314.13	1542501	4.000	2.500	128.63	1624678	110.00	80.00	227.38
1373764	140.00	100.00	274.15	1542502	7.250	2.500	164.33	1636105	4.500	2.750	127.12
1373765	130.00	90.00	404.34	1542503	4.750	3.000	106.31	1636223	5.000	2.500	228.54
1373766	140.00	100.00	263.17	1542504	10.000	7.000	406.56	1643213	-	-	18.17
1373767	150.00	105.00	355.79	1542505	7.500	6.000	387.61	1656035	6.500	2.500	142.45
1373768	130.00	90.00	374.19	1546525	4.750	2.250	129.10	1657746	4.000	1.750	105.10
1378527	4.250	2.000	101.52	1546526	4.000	2.250	128.05	1657747	4.500	1.750	110.64
1378646	5.250	3.000	164.15	1560625	180.00	130.00	323.84	1659416	190.00	130.00	250.50
1378662	4.250	2.000	114.97	1560626	200.00	140.00	554.64	1659418	120.00	85.00	110.27
1407597	-	-	94.81	1560627	220.00	150.00	495.58	1659419	130.00	95.00	192.07
1417296/PI	8.500	7.000	232.18	1560656	160.00	110.00	278.66	1659420	110.00	80.00	118.13
1417296/PI/SI	8.500	7.000	232.18	1563798	4.750	2.500	122.62	1663850	10.000	5.500	414.29
1417296/SI	8.500	7.000	218.57	1565208	2.500	1.500	80.78	1680758	150.00	105.00	296.48
1417975	4.500	3.500	135.84	1565209/PI	12.500	11.000	1042.34	1680759	170.00	110.00	340.40
1428962	-	-	65.79	1565209/PI/SI	12.500	11.000	1075.10	1680760	160.00	110.00	330.20
1428963	-	-	99.70	1565209/PI/SI-G	12.500	11.000	489.64	1697826	110.00	75.00	113.06
1429192	-	-	116.33	1565209/PI-G	12.500	11.000	466.05	1697827	90.00	60.00	175.62
1429193	-	-	88.42	1565209/SI	12.500	11.000	947.82	1697828	80.00	55.00	202.05
1432918	5.250	3.000	165.55	1565209/SI-G	12.500	11.000	401.05	1697829	100.00	55.00	224.67
1438153	100.00	65.00	224.65	1570284	7.750	3.500	273.94	1697830	100.00	65.00	97.69
1443084	130.00	95.00	261.35	1570285	9.250	2.750	288.04	1697831	120.00	75.00	227.91
1447731	125.00	85.00	275.46	1570286	5.500	2.500	134.86	1697832	100.00	70.00	194.08
1447732	115.00	75.00	347.37	1570287	5.500	2.750	126.26	1697833	85.00	60.00	316.94
1447736	140.00	90.00	308.74	1570288	4.750	3.000	146.43	1697834	100.00	55.00	180.44
1450634	-	-	1220.87	1570289	11.000	7.000	458.50	1697835	120.00	80.00	183.67
1450715	-	-	1294.12	1570290	4.000	2.000	106.63	1697836	100.00	70.00	271.32
1456437	-	-	897.45	1570291	11.000	5.500	397.73	1697837	110.00	75.00	220.64
1469624	9.250	3.250	210.42	1586389	110.00	75.00	178.13	1697838	120.00	80.00	230.48
1469631	9.250	3.250	207.20	1589092	120.00	85.00	154.92	1697839	100.00	65.00	186.07
1469860	4.500	2.500	136.99	1589093	140.00	100.00	104.07	1697840	110.00	75.00	273.53
1475781	125.00	85.00	244.33	1597532	11.000	7.000	458.50	1697841	120.00	80.00	243.91
1494128	-	-	139.34	1597533	11.000	5.500	397.73	1697842	100.00	65.00	246.26
1496062	8.500	6.500	446.67	1597774	140.00	100.00	415.07	1697843	130.00	70.00	249.66
1505833	30.000	95.000	397.00	1597775	120.00	85.00	150.94	1697844	110.00	75.00	216.14
1505850	110.00	80.00	609.28	1605784	5.000	3.000	61.53	1697845	80.00	55.00	183.88
1531282	12.750	7.750	581.65	1605785	6.500	3.250	186.35	1697895	90.00	60.00	174.68
1533724	4.000	2.500	181.76	1605795	5.250	2.500	140.15	1697896	110.00	75.00	328.26
1534973	8.500	3.500	275.32	1605796	7.000	3.000	257.54	1700221	4.750	2.500	120.32
1539053	2.750	1.750	128.09	1608546	60.00	30.00	56.59	1709827	100.00	70.00	93.16
1539054	2.750	1.750	122.58	1608547	60.00	35.00	56.35	1709828	180.00	125.00	333.48
1540728	120.00	85.00	414.33	1608548	55.00	30.00	43.18	1709829	200.00	140.00	407.93
1540735	140.00	100.00	336.32	1612010	-	-	832.94	1709830	180.00	130.00	322.43
1540744	120.00	85.00	398.45	1612011	-	-	807.10	1709937	110.00	75.00	132.34

All manufacturer's names, part numbers and descriptions are used for reference purposes only. We do not imply that any part shown is the product of these manufacturers.

INDUSTRIAL
SEAL KITS

MOBILE
SEAL KITS



CATERPILLAR

CATERPILLAR

KIT LISTING

Ref. Number RCAT-	BORE	ROD	\$	Ref. Number RCAT-	BORE	ROD	\$	Ref. Number RCAT-	BORE	ROD	\$
1709941	100.00	65.00	110.20	1856601	2.500	1.500	43.98	1857700	4.500	2.000	82.50
1709999	120.00	80.00	163.58	1857018	3.500	1.750	50.85	1859502	5.000	2.250	50.62
1711168	4.000	1.750	56.15	1857019	3.250	1.750	54.49	1859503	3.500	2.250	116.84
1711421	4.500	1.750	147.49	1857020	3.500	1.750	48.09	1859504	4.500	2.250	46.57
1721685	3.000	2.000	51.54	1857021	4.000	1.750	79.34	1859505	4.500	2.250	91.83
1721687	4.500	4.000	195.52	1857022	3.000	2.000	75.61	1859507	4.250	2.250	94.38
1721688	4.000	2.750	132.53	1857023	3.750	1.750	82.92	1859508	4.000	2.250	90.10
1721689	4.500	2.000	155.37	1857024	2.750	1.750	46.75	1859509	3.750	2.250	64.78
1721690	4.500	2.000	41.29	1857025	3.000	1.750	39.42	1859510	4.000	2.250	78.25
1721691	5.500	3.500	146.02	1857027	2.750	1.750	71.79	1859511	4.750	2.250	82.55
1721692	4.500	4.000	158.54	1857029	4.000	1.750	92.72	1859512	3.500	2.250	77.00
1721693	4.500	3.500	195.92	1857030	3.250	1.750	103.00	1859516	5.000	2.250	136.56
1728500	180.00	105.00	352.66	1857033	3.750	1.750	100.07	1859517	4.250	2.250	113.40
1749425	6.250	3.500	189.86	1857035	2.750	1.750	128.68	1859519	4.750	2.250	126.05
1764912	120.00	85.00	200.24	1857036	2.750	1.750	118.15	1859523	4.500	2.250	44.90
1764913	140.00	100.00	254.70	1857037	3.000	1.750	111.22	1859525	4.500	2.250	123.47
1764914	130.00	90.00	120.53	1857662	4.500	2.750	140.17	1859526	3.500	2.250	146.39
1764932	160.00	110.00	336.22	1857663	5.500	3.250	137.87	1859527	4.000	2.250	97.37
1764934	120.00	85.00	197.55	1857664	5.500	3.250	137.87	1859528	3.750	2.250	135.85
1764935	100.00	65.00	187.98	1857665	5.500	3.500	128.32	1859530	4.500	2.250	127.59
1764999	130.00	95.00	204.16	1857666	4.000	2.000	116.62	1859535	4.000	2.250	76.22
1788382	170.00	100.00	303.22	1857667	3.000	2.000	71.94	1860270	3.000	1.870	164.64
1791715	1.500	-	12.83	1857668	5.000	2.000	115.61	1864327	3.500	2.500	59.16
1791746	1.500	-	144.69	1857669	4.250	2.000	41.07	1864328	4.250	2.500	91.72
1791749	1.500	-	4.57	1857670	3.250	2.000	99.90	1864329	5.500	2.500	138.65
1795934	-	-	153.00	1857671	5.000	2.000	39.00	1864330	6.000	2.500	137.62
1799625	110.00	80.00	213.87	1857672	3.500	2.000	59.94	1864331	6.500	2.500	186.34
1799634	120.00	85.00	110.27	1857673	4.500	2.000	83.60	1864332	5.000	2.500	62.15
1799638	100.00	70.00	83.01	1857674	3.500	2.000	98.12	1864333	4.000	2.500	51.47
1799772	130.00	90.00	175.63	1857675	3.750	2.000	77.09	1864334	7.250	2.500	154.43
1835795	3.000	1.750	104.44	1857676	5.000	2.000	95.74	1864335	6.000	2.500	146.19
1838996	130.00	70.00	225.13	1857677	4.000	2.000	87.06	1864336	4.250	2.500	76.99
1850196	130.00	90.00	140.28	1857678	3.500	2.000	60.16	1864337	4.250	2.500	42.48
1850223	125.00	85.00	140.77	1857679	5.000	2.000	60.52	1864338	4.000	2.500	69.33
1855574	160.00	95.00	160.60	1857680	4.000	2.000	110.10	1864339	6.500	2.500	144.97
1856582	2.750	1.500	107.86	1857681	3.500	2.000	91.48	1864340	6.000	2.500	88.43
1856583	3.000	1.500	38.91	1857682	4.250	2.000	51.35	1864341	3.750	2.500	46.45
1856584	4.000	1.500	37.77	1857683	3.250	2.000	119.58	1864342	5.500	2.500	75.78
1856585	2.500	1.500	48.26	1857684	3.750	2.000	89.28	1864343	6.000	2.500	110.30
1856586	2.750	1.500	29.18	1857685	5.500	3.250	338.75	1864344	5.000	2.500	106.04
1856587	3.000	1.500	51.60	1857686	4.000	2.000	71.96	1864345	6.500	2.500	93.38
1856588	3.500	1.500	54.97	1857687	4.000	2.000	126.58	1864346	4.750	2.000	99.89
1856589	3.500	1.500	88.79	1857688	4.000	2.000	59.15	1864347	6.500	2.500	93.38
1856590	2.250	1.500	34.76	1857689	4.500	2.000	63.72	1864348	6.000	2.500	117.93
1856591	3.500	1.500	83.24	1857694	4.250	2.000	108.11	1864349	6.000	2.500	85.70
1856593	3.250	1.500	92.19	1857696	4.250	2.000	115.51	1864350	4.750	2.500	152.26
1856596	2.750	1.500	39.35	1857698	4.000	2.000	113.56	1864351	6.000	2.500	219.28
1856598	3.000	1.500	72.39	1857699	4.500	2.000	182.83	1864356	5.500	2.500	79.71

All manufacturer's names, part numbers and descriptions are used for reference purposes only. We do not imply that any part shown is the product of these manufacturers.

INDUSTRIAL
SEAL KITS

MOBILE
SEAL KITS



CATERPILLAR

Remsa [KITS]

KIT LISTING

CATERPILLAR

Ref. Number RCAT-	BORE	ROD	\$	Ref. Number RCAT-	BORE	ROD	\$	Ref. Number RCAT-	BORE	ROD	\$
1864357	6.500	2.500	79.71	1890276	7.000	5.750	280.53	1915031	6.000	3.000	113.73
1864358	5.500	2.500	46.46	1890281	140.00	100.00	342.09	1915619	150.00	105.00	137.80
1864362	4.500	2.500	62.05	1890282	140.00	100.00	246.42	1915649	170.00	115.00	269.91
1864363	5.000	2.500	68.87	1891778	8.250	6.000	558.84	1916508	7.250	3.000	133.62
1864365	5.000	2.630	59.87	1891779	7.750	4.500	770.79	1916511	7.250	3.000	177.51
1864366	5.000	2.500	151.84	1891780	7.750	4.500	622.14	1917692	6.250	3.000	96.19
1864368	6.000	2.500	63.78	1891781	10.500	6.500	314.46	1917693	9.250	3.250	173.95
1864371	4.000	2.500	140.47	1891782	10.500	6.500	449.45	1917694	6.250	3.000	184.71
1864373	4.250	2.500	87.17	1891784	11.000	5.500	423.58	1917696	9.250	3.250	269.64
1864375	5.500	2.500	139.11	1891790	7.750	4.500	820.68	1919204	6.000	3.000	138.29
1864378	4.750	2.500	75.45	1891791	12.500	8.000	776.34	1919205	8.250	3.250	201.17
1864379	4.000	2.500	136.92	1891793	11.000	7.500	599.00	1919206	6.500	3.250	178.97
1864380	4.000	2.500	134.54	1891795	10.250	7.250	521.63	1919207	9.250	3.250	136.22
1864381	4.750	2.500	131.98	1891796	10.250	7.250	549.21	1919208	6.500	4.000	201.17
1864382	4.750	2.500	80.60	1891798	13.000	8.750	1061.36	1919209	9.250	3.250	203.20
1864383	5.110	2.470	165.38	1891800	10.000	7.250	793.21	1919212	6.000	3.000	128.36
1864386	6.500	2.500	66.38	1891802	8.500	6.500	409.04	1919214	6.500	3.250	189.04
1864388	6.500	2.500	149.83	1895370	7.000	3.250	211.44	1919216	6.500	4.000	323.52
1864389	5.000	2.500	99.57	1895371	7.000	3.250	221.28	1920738	5.500	3.250	79.09
1864391	4.500	2.500	67.94	1895373	8.250	3.250	143.05	1920739	7.250	3.250	169.57
1864392	4.000	2.500	129.23	1895374	7.000	3.250	91.85	1920740	7.250	3.250	210.90
1864393	7.250	2.500	165.10	1895375	7.000	3.250	126.49	1920742	4.750	3.000	169.19
1864394	4.750	2.500	130.60	1895377	9.250	3.250	204.82	1920743	5.250	3.000	174.82
1864396	5.500	2.500	143.62	1895378	9.250	3.250	195.39	1921409	7.300	3.000	141.99
1864397	5.250	2.500	149.26	1895379	9.250	3.250	237.34	1921410	4.500	3.000	152.67
1864398	6.500	2.500	151.70	1895381	5.500	3.250	122.60	1921411	4.500	3.000	178.13
1864399	4.750	2.500	140.13	1895382	5.500	3.250	220.20	1923003	8.250	3.000	303.38
1864400	7.750	5.250	398.27	1895383	8.250	3.250	234.70	1923004	6.000	3.250	228.40
1864401	6.500	4.750	172.64	1895384	7.750	3.250	153.58	1923006	5.250	3.000	151.69
1864403	170.00	110.00	356.48	1895386	7.250	3.250	222.98	1923007	4.750	3.000	151.14
1864404	4.000	2.125	84.61	1895387	6.500	3.250	198.47	1923008	4.750	3.000	131.76
1864405	4.300	2.500	45.76	1905431	8.250	3.250	208.57	1923009	6.250	2.750	206.59
1864406	3.500	2.125	89.53	1905432	5.250	2.750	294.31	1923010	5.250	3.000	113.44
1864407	10.500	5.500	553.19	1912319	5.500	3.250	338.34	1932344	6.000	3.500	227.48
1864409	11.000	7.000	597.61	1912321	5.500	3.000	194.24	1932345	5.250	3.000	107.90
1864438	4.000	2.500	85.76	1912322	5.500	3.000	101.98	1932346	6.000	3.500	187.99
1884219	150.00	105.00	137.80	1912430	6.500	3.000	110.52	1932347	5.000	3.000	137.91
1884457	160.00	95.00	186.30	1912432	6.500	3.000	89.69	1932348	7.000	3.000	197.98
1890262	9.250	6.000	358.00	1912433	7.250	3.000	178.72	1933088	3.250	1.875	74.41
1890263	5.500	3.500	208.87	1912434	7.250	3.000	113.46	1933089	5.000	2.750	133.27
1890264	8.250	3.250	118.22	1913171	170.00	110.00	204.20	1933090	6.500	2.750	103.05
1890266	8.250	3.500	154.20	1913564	6.500	2.000	83.58	1933091	7.250	2.750	227.36
1890267	8.250	3.500	332.09	1913565	6.500	3.000	103.33	1933092	6.500	2.750	70.00
1890268	5.000	2.750	65.22	1913567	6.000	3.000	249.33	1933093	5.500	2.750	84.96
1890271	3.750	2.370	44.92	1915027	4.000	2.750	99.74	1933094	7.000	2.750	125.11
1890272	6.000	4.750	305.35	1915028	4.750	3.000	95.63	1933095	8.250	3.500	173.42
1890273	4.000	3.000	181.66	1915029	4.750	3.000	169.19	1933096	7.500	3.500	268.84
1890274	5.250	2.870	150.91	1915030	4.750	3.000	137.63	1933097	6.500	2.750	81.84

All manufacturer's names, part numbers and descriptions are used for reference purposes only. We do not imply that any part shown is the product of these manufacturers.

INDUSTRIAL
SEAL KITS

MOBILE
SEAL KITS



CATERPILLAR

CATERPILLAR

KIT LISTING

Ref. Number RCAT-	BORE	ROD	\$	Ref. Number RCAT-	BORE	ROD	\$	Ref. Number RCAT-	BORE	ROD	\$
1933098	10.000	4.000	196.08	1939269	5.500	2.750	103.80	1G4340	2.500	-	74.96
1933099	10.000	4.000	234.32	1939270	4.000	2.750	86.49	1G6231	4.000	2.000	166.11
1933102	9.250	4.000	267.64	1939271	9.250	2.750	198.82	1G6745	3.000	1.500	125.19
1933103	10.500	4.000	342.12	1941617	7.250	3.250	181.17	1G8863	2.500	-	27.10
1933104	6.500	2.750	170.93	1942756	4.500	3.500	280.82	2003315	150.00	105.00	137.80
1933106	5.500	2.750	169.07	1944389	6.500	3.750	221.10	2003496	220.00	150.00	499.92
1933108	7.000	2.750	193.53	1944390	10.000	7.000	486.42	2003497	220.00	150.00	498.87
1933110	10.030	4.000	368.21	1944393	6.500	3.750	189.62	2003498	190.00	130.00	265.79
1933111	9.280	4.000	304.97	1944394	10.000	7.000	432.99	2003499	180.00	130.00	257.82
1933112	9.250	4.000	199.49	1944395	11.000	7.000	488.29	2003572	160.00	110.00	198.71
1933114	7.250	2.750	173.60	1944395/HT	11.000	7.000	514.80	2003621	190.00	130.00	351.97
1933115	8.500	3.500	293.21	1944396	4.500	4.000	207.26	2028908	12.500	8.000	620.72
1933116	7.750	3.500	128.65	1944397	4.000	2.750	140.49	2038391	115.00	65.00	307.85
1933117	4.500	2.750	94.77	1944398	4.500	4.000	195.00	2042720	170.00	110.00	321.42
1935427	6.000	2.750	79.85	1944399	4.500	3.500	207.67	2042721	160.00	110.00	197.27
1935428	7.250	2.750	96.95	1945583	4.500	2.375	69.34	2042723	180.00	125.00	355.16
1935429	7.000	4.000	163.95	1945584	8.250	5.750	617.33	2042724	180.00	130.00	343.39
1935431	4.000	2.125	74.41	1945585	7.750	5.000	383.30	2043625	120.00	85.00	202.36
1935433	8.250	3.500	178.36	1945586	10.500	3.500	308.60	2043626	140.00	100.00	260.12
1935434	7.000	4.000	221.70	1945587	8.250	3.500	149.32	2043627	120.00	85.00	118.80
1935435	7.000	4.000	298.40	1945588	11.500	7.000	721.90	2043628	125.00	85.00	127.84
1935437	7.000	4.000	283.86	1945588/HT	11.500	7.000	498.13	2043629	130.00	90.00	230.53
1935438	6.000	2.750	57.45	1945591	6.500	4.250	194.22	2043630	130.00	90.00	215.02
1935440	7.250	2.750	195.94	1945592	7.750	5.000	307.98	2043692	120.00	85.00	125.89
1937619	5.000	2.750	155.43	1945593	4.000	1.250	70.61	2048889	7.500	6.000	412.81
1937620	4.250	2.750	73.12	1945594	7.250	4.750	246.63	2050337	120.00	85.00	331.96
1937621	5.500	2.750	131.06	1945595	7.000	4.750	203.48	2062857	5.500	3.250	262.51
1937622	7.500	3.500	128.79	1945596	7.750	3.750	231.75	2070003	140.00	95.00	254.74
1937623	6.000	2.750	146.28	1945599	160.00	110.00	312.08	2070004	180.00	130.00	518.39
1937624	6.500	2.750	114.86	1945600	4.000	2.375	47.93	2094979	3.250	1.875	38.38
1937625	6.000	4.000	242.39	1945601	7.500	6.000	376.36	2095874	140.00	100.00	215.80
1937626	3.000	1.875	262.17	1945603	3.750	2.750	74.30	2095959	130.00	95.00	372.77
1937628	8.250	3.500	257.24	1945605	6.500	4.250	206.56	2095963	110.00	80.00	572.09
1937629	4.250	2.750	146.41	1945606	7.750	4.250	216.57	2096007	140.00	100.00	257.36
1937631	5.500	2.750	170.99	1945608	8.500	4.000	258.54	2119614	130.00	90.00	134.17
1937633	7.500	3.500	197.00	1945609	6.000	3.000	138.71	2123608	120.00	85.00	267.16
1937635	6.250	3.500	203.95	1945610	7.250	4.750	282.49	2138433	5.000	2.500	11.03
1937637	8.250	3.500	217.80	1945611	7.000	4.750	312.45	2144502	140.00	100.00	130.93
1937639	5.500	2.750	102.03	1945612	6.500	4.750	250.32	2146321	140.00	100.00	271.26
1937640	6.250	3.500	189.86	1945614	3.500	2.500	134.67	2149170	8.250	3.250	144.13
1939260	8.500	4.000	184.53	1948235	160.00	110.00	201.05	2155565	160.00	90.00	289.55
1939261	6.000	3.750	203.08	1948396	160.00	110.00	179.91	2156711	80.00	50.00	206.69
1939263	6.000	3.750	418.13	1997416	150.00	105.00	175.17	2157020	170.00	100.00	322.93
1939264	7.250	3.500	147.92	1997417	170.00	110.00	189.56	2159985	140.00	100.00	104.07
1939265	4.500	3.500	215.74	1997424	120.00	85.00	233.13	2159986	130.00	90.00	106.24
1939266	10.000	3.500	340.82	1997425	130.00	85.00	286.26	2159987	170.00	115.00	351.84
1939267	6.000	2.750	145.41	1997426	130.00	90.00	306.08	2159988	160.00	110.00	169.73
1939268	11.500	5.750	405.94	1997427	140.00	100.00	273.81	2159989	160.00	110.00	216.36

All manufacturer's names, part numbers and descriptions are used for reference purposes only. We do not imply that any part shown is the product of these manufacturers.

INDUSTRIAL
SEAL KITS

MOBILE
SEAL KITS



CATERPILLAR

Remsa [KITS]

KIT LISTING

CATERPILLAR

Ref. Number RCAT-	BORE	ROD	\$	Ref. Number RCAT-	BORE	ROD	\$	Ref. Number RCAT-	BORE	ROD	\$
2159990	170.00	110.00	188.01	2297173	8.500	3.250	199.33	2366368	120.00	85.00	86.43
2159994	180.00	125.00	333.48	2297174	9.250	6.000	336.15	2366389	120.00	85.00	86.43
2159995	200.00	140.00	322.19	2297176	11.500	5.750	381.17	2375448	230.00	4.000	375.91
2159996	180.00	130.00	242.98	2297188	5.500	3.250	198.74	2378277	4.000	2.000	43.85
2159999	210.00	145.00	342.91	2297189	7.000	11.000	512.18	2378313	6.000	3.000	130.51
2160000	220.00	150.00	605.90	2297190	11.000	5.500	397.73	2378321	9.076	4.000	348.55
2170208	13.500	8.750	803.46	2297191	5.500	3.250	211.08	2384462	3.000	2.000	38.09
2171007	180.00	105.00	352.66	2297194	4.500	2.500	46.87	2384487	5.000	2.000	47.78
2179894	4.500	55.00	103.71	2304001	180.00	110.00	223.17	2384501	4.250	2.000	36.15
2222376	100.00	65.00	129.95	2309357	3.000	1.500	44.52	2386661	3.250	2.000	35.74
2235944	3.750	2.750	67.30	2310898	4.500	2.500	64.06	2386718	5.000	2.000	35.16
2235945	3.500	2.500	56.29	2315021	3.750	2.750	68.47	2386859	3.500	2.000	57.86
2254625	160.00	110.00	229.18	2316844	170.00	115.00	269.91	2386882	4.500	2.000	78.49
2254646	190.00	130.00	273.20	2316845	170.00	115.00	275.57	2395021	11.000	7.500	562.45
2275347	5.000	2.500	79.72	2330761	130.00	95.00	245.40	2395942	11.030	7.500	775.69
2275348	4.500	2.750	127.12	2330763	170.00	100.00	190.91	2401661	3.500	1.750	67.43
2275349	4.750	3.000	138.15	2330764	160.00	95.00	172.33	2401671	3.250	1.750	31.83
2275350	3.000	1.750	26.39	2332622	100.00	50.00	52.85	2401881	3.500	1.750	61.14
2280806	7.000	3.000	185.89	2332623	100.00	55.00	83.19	2401905	4.000	1.750	74.50
2280807	6.250	3.000	178.43	2332628	3.250	1.875	117.71	2402016	3.000	1.750	35.28
2280808	6.250	2.750	206.59	2339204	2.750	1.500	53.15	2402481	3.750	1.750	38.43
2280809	5.500	2.750	100.04	2339205	4.000	2.000	50.93	2402482	2.750	1.750	34.91
2281775	7.750	3.500	135.52	2341948	4.750	2.500	76.98	2402484	2.500	1.750	79.20
2281776	5.250	3.000	92.09	2341949	4.000	2.500	47.20	2404713	2.750	1.750	67.41
2281778	3.500	2.000	66.01	2342591	4.000	2.250	54.80	2404819	4.000	1.750	92.28
2281779	7.000	3.250	127.58	2342592	2.500	1.500	80.78	2405319	2.750	1.750	120.95
2281780	8.250	3.250	186.65	2342593	3.250	1.875	53.94	2405500	2.500	1.750	115.64
2281792	7.000	3.250	109.90	2342594	3.000	1.750	108.31	2405524	3.000	1.750	104.44
2281793	6.000	3.000	123.04	2342595	2.750	1.750	128.09	2406869	3.750	2.000	72.38
2281795	3.500	1.750	83.37	2344442	170.00	110.00	202.90	2406883	5.000	2.000	89.89
2282533	9.250	3.500	267.52	2344488	135.00	95.00	199.41	2406899	4.000	2.000	45.29
2283306	120.00	85.00	349.29	2344566	140.00	100.00	124.21	2407308	3.500	2.000	60.16
2285271	4.750	2.500	68.23	2344576	150.00	105.00	285.27	2408479	5.000	2.000	56.83
2285272	4.750	2.500	75.45	2344587	135.00	95.00	113.97	2408513	4.000	2.000	103.38
2285273	5.500	2.500	70.75	2344666	200.00	140.00	297.97	2408515	3.500	2.000	97.23
2285274	5.500	2.750	158.75	2344667	220.00	150.00	561.89	2408523	4.250	2.000	48.94
2285275	5.500	2.750	149.22	2344673	180.00	130.00	249.87	2408525	3.250	2.000	39.23
2292626	4.000	2.500	83.59	2344674	160.00	110.00	187.51	2409518	3.750	2.000	83.83
2292758	4.500	3.000	68.25	2350351	2.750	1.750	123.18	2409538	4.000	2.000	62.62
2292759	4.500	3.000	143.35	2350352	2.750	1.750	85.51	2409936	4.500	2.000	59.83
2292968	4.750	3.000	198.43	2350354	3.000	1.500	29.19	2409938	4.250	2.000	101.52
2293635	6.250	3.500	189.86	2350355	3.500	2.250	109.79	2409939	4.250	2.000	108.46
2293636	6.250	3.500	234.37	2350969	3.750	2.250	127.56	2409941	4.000	2.000	106.63
2293637	6.280	3.500	262.87	2350970	5.250	2.875	141.71	2409942	4.500	2.000	77.83
2295507	7.000	4.000	205.89	2350973	4.750	2.375	130.62	2410108	4.750	2.000	93.79
2295538	4.000	2.500	139.22	2350974	7.000	3.500	203.81	2410109	75.00	2.000	71.97
2295546	220.00	4.500	314.03	2355802	6.500	2.750	61.70	2410110	85.00	2.000	97.34
2295549	220.00	5.000	592.45	2355804	6.500	2.750	160.50	2410895	5.000	2.250	51.97

INDUSTRIAL
SEAL KITS

MOBILE
SEAL KITS



CATERPILLAR

CATERPILLAR

KIT LISTING

Ref. Number RCAT-	BORE	ROD	\$	Ref. Number RCAT-	BORE	ROD	\$	Ref. Number RCAT-	BORE	ROD	\$
2410896	4.500	2.250	64.26	2430382	6.500	2.500	63.76	2440969	6.000	2.750	136.53
2410897	4.500	2.250	39.22	2430383	8.250	5.750	53.57	2440970	9.250	2.750	288.04
2410898	4.250	2.250	48.14	2430384	5.000	2.500	68.87	2440971	4.000	2.750	132.53
2410899	4.000	2.250	84.60	2430385	5.030	2.500	150.35	2440975	6.500	3.000	193.26
2410900	3.750	2.250	34.70	2430386	5.000	2.500	59.87	2440976	4.000	3.000	61.04
2410901	4.000	2.250	47.12	2430387	5.000	2.500	142.57	2440978	5.500	3.000	182.39
2410902	4.750	2.250	65.62	2430388	6.000	2.500	163.02	2440979	5.500	3.000	85.34
2410903	3.500	2.250	72.30	2430389	3.750	2.500	120.96	2440980	4.250	2.500	130.13
2417578	5.000	2.250	54.07	2430391	4.000	2.500	57.21	2442044	6.500	3.000	89.69
2417579	4.250	2.250	117.29	2430393	4.250	2.500	121.56	2442046	7.250	3.000	128.73
2417580	4.750	2.250	118.35	2430395	8.250	5.750	165.47	2442047	7.250	3.000	181.02
2417582	3.780	2.250	129.11	2430397	4.000	2.500	96.36	2442049	6.500	2.000	89.29
2417584	4.500	2.250	120.35	2430398	4.750	2.500	124.02	2442050	6.500	3.000	103.44
2417585	4.500	2.250	115.93	2432276	85.00	50.00	70.54	2442053	6.000	3.000	234.11
2417617	115.00	65.00	289.06	2435796	6.500	2.500	65.06	2442054	4.750	3.000	189.91
2417618	140.00	95.00	239.19	2435797	6.500	2.500	140.69	2442055	6.000	3.000	102.54
2418916	3.500	2.250	137.45	2435798	4.500	2.500	64.25	2442056	7.250	3.000	106.40
2418917	4.500	2.250	119.81	2435799	7.250	2.500	155.02	2442058	7.250	3.000	257.72
2418919	5.000	2.250	120.96	2435800	4.750	2.500	122.62	2442059	7.250	3.000	166.67
2418920	4.750	2.250	121.22	2435801	5.500	2.500	134.86	2442060	6.250	3.000	117.34
2418921	4.000	2.250	62.91	2435802	5.250	2.500	140.15	2442061	6.250	3.000	126.76
2418923	3.750	2.370	64.62	2435803	6.500	2.500	142.45	2442062	6.000	3.000	192.16
2418924	4.500	2.375	64.56	2435804	4.750	2.500	131.58	2442064	6.000	3.000	59.82
2418925	4.000	2.375	47.97	2435805	4.500	2.500	96.38	2442065	5.250	3.000	164.15
2419297	4.000	2.250	136.23	2435806	4.500	2.500	149.99	2442067	7.300	3.000	113.73
2422538	4.250	2.500	48.48	2435808	4.500	2.750	123.74	2442069	8.250	3.000	284.87
2422539	5.500	2.500	130.19	2435809	5.000	2.750	61.71	2442070	4.750	3.000	151.14
2422540	6.000	2.500	79.46	2435810	5.250	2.750	105.58	2442071	4.750	3.000	158.51
2422541	6.500	2.500	174.97	2435811	5.000	2.750	52.46	2442072	5.250	3.000	165.55
2422542	5.000	2.500	68.65	2435812	6.500	2.750	113.57	2442073	5.250	3.000	88.13
2422543	4.000	2.500	51.19	2435814	7.250	2.750	200.35	2442074	5.000	3.000	73.63
2422544	7.250	2.500	68.86	2435815	7.000	2.750	189.10	2442075	4.750	3.000	185.75
2422545	6.000	2.500	137.26	2435816	6.500	2.750	78.64	2442076	7.250	3.000	186.45
2422546	4.250	2.500	52.79	2435818	7.000	2.750	224.62	2442079	5.500	3.250	109.95
2422547	4.250	2.500	48.61	2435820	7.250	2.750	163.01	2442080	5.500	3.250	106.28
2422548	4.000	2.500	48.97	2436225	8.250	4.250	488.88	2445647	6.000	3.750	203.08
2422549	6.500	2.500	75.18	2440953	6.000	2.750	87.03	2450579	5.500	3.250	292.56
2422550	6.000	2.500	92.07	2440954	7.250	2.750	91.04	2450580	8.250	3.250	162.10
2422551	3.750	2.500	46.45	2440955	6.000	2.750	57.45	2450581	7.000	3.250	204.44
2422552	6.000	2.500	103.56	2440957	7.250	2.750	183.99	2450582	7.000	3.250	232.07
2422553	5.000	2.500	69.68	2440958	5.000	2.750	101.17	2450583	7.000	3.250	218.04
2422554	6.500	2.500	87.68	2440959	4.250	2.750	84.96	2450584	8.250	3.250	143.05
2422555	6.500	2.500	207.95	2440960	5.500	2.750	123.06	2450585	7.000	3.250	91.85
2422556	6.000	2.500	77.24	2440961	6.000	2.750	62.63	2450586	7.000	3.250	210.05
2422557	6.000	2.500	158.17	2440962	6.500	2.750	107.85	2450588	9.250	3.250	205.00
2422558	6.000	2.500	57.14	2440964	4.250	2.750	67.71	2450589	9.250	3.250	195.39
2426840	150.00	105.00	149.09	2440965	5.500	2.750	142.35	2450590	9.250	3.250	222.85
2430381	5.500	2.500	63.19	2440966	5.500	2.750	160.55	2450591	9.280	3.250	259.28

INDUSTRIAL
SEAL KITS

MOBILE
SEAL KITS



CATERPILLAR

Remsa [KITS]

KIT LISTING

CATERPILLAR

Ref. Number RCAT-	BORE	ROD	\$	Ref. Number RCAT-	BORE	ROD	\$	Ref. Number	BORE	ROD	\$
2450592	5.500	3.250	123.95	2459842	140.00	100.00	135.92	2465917	3.500	1.500	120.77
2450593	8.250	3.250	220.38	2460635	10.000	3.500	320.02	2465919	3.250	1.500	86.57
2450594	7.750	3.250	153.58	2460636	4.500	3.500	204.76	2465922	3.000	1.500	38.64
2450596	7.250	3.250	151.85	2460637	10.500	3.500	293.01	2465923	3.000	1.500	102.16
2450597	6.500	3.250	230.71	2460638	8.250	3.500	103.83	2465925	3.000	1.875	98.57
2450599	8.250	3.250	115.74	2460640	180.00	130.00	486.76	2465926	3.250	1.875	54.07
2450600	9.250	3.250	257.82	2460641	6.500	4.000	188.89	2465927	3.000	1.875	93.09
2450601	5.500	3.250	317.69	2460643	6.500	4.000	303.78	2465928	4.000	2.125	154.06
2450602	9.250	3.250	163.33	2460644	10.000	4.000	321.11	2465929	4.000	2.125	36.73
2450603	9.250	3.250	253.19	2460645	10.000	4.000	220.02	2465931	4.000	2.125	131.72
2450605	8.250	3.250	188.02	2460648	9.250	4.000	267.64	2465933	4.000	2.125	151.66
2450606	6.500	3.250	168.05	2460649	10.500	4.000	404.01	2465935	120.00	85.00	353.12
2450607	9.250	3.250	127.90	2460650	10.030	4.000	345.74	2465936	125.00	85.00	271.39
2450609	9.250	3.250	190.80	2460652	9.250	4.000	199.49	2465937	130.00	85.00	108.91
2450611	6.500	3.250	177.51	2460653	7.000	4.000	153.94	2465938	120.00	85.00	156.41
2450612	5.500	3.250	74.26	2460655	7.000	4.000	208.17	2465939	120.00	85.00	250.85
2450613	7.250	3.250	159.22	2460657	7.000	4.000	266.54	2465940	130.00	90.00	215.12
2450614	7.250	3.250	198.03	2460658	6.000	4.000	227.59	2470257	130.00	90.00	275.55
2450617	6.000	3.250	154.33	2460659	8.500	4.000	222.39	2478790	120.00	85.00	86.43
2450619	7.250	3.250	224.34	2463425	4.500	4.000	195.52	2478792	140.00	100.00	157.40
2450620	6.250	3.250	217.68	2463426	4.500	4.000	148.86	2478868	120.00	85.00	135.92
2456815	4.000	1.250	27.12	2463427	8.500	4.000	146.72	2478878	140.00	100.00	167.25
2456817	7.750	4.500	723.75	2463429	6.500	4.250	182.37	2478888	120.00	85.00	116.40
2456818	7.750	4.500	584.17	2463430	6.500	4.250	193.96	2478974	140.00	100.00	167.25
2456819	7.750	4.500	770.59	2463431	7.750	4.250	373.73	2478995	110.00	80.00	508.92
2456820	12.530	8.000	900.77	2463432	7.750	4.250	370.29	2478996	120.00	85.00	138.33
2456821	12.500	8.000	872.60	2463434	7.750	5.000	457.17	2478998	120.00	85.00	138.33
2456822	13.000	8.750	996.58	2463435	7.750	5.000	289.19	2479000	120.00	85.00	125.89
2456823	13.500	8.750	754.42	2463437	10.500	5.500	621.47	2479001	120.00	85.00	125.89
2456824	5.500	3.500	138.88	2463438	10.530	5.500	675.81	2479005	125.00	85.00	127.84
2456825	5.500	3.500	197.04	2463439	7.000	5.750	203.82	2481162	140.00	100.00	153.39
2456826	8.250	3.500	224.33	2463440	8.250	5.750	579.65	2481163	140.00	100.00	298.12
2456827	8.250	3.500	311.82	2463442	8.250	6.000	552.99	2481164	140.00	90.00	281.47
2456828	6.000	3.500	213.60	2463443	7.500	6.000	353.39	2481165	140.00	100.00	137.40
2456829	6.000	3.500	132.39	2463445	7.500	6.000	387.61	2481166	140.00	100.00	174.40
2456830	8.250	3.500	162.84	2463446	11.000	7.000	561.14	2481168	150.00	105.00	164.36
2456831	7.500	3.500	182.44	2463448	10.000	7.000	456.73	2481171	160.00	110.00	293.04
2456832	8.500	3.500	275.32	2463450	11.000	7.000	458.50	2481172	160.00	110.00	320.68
2456834	7.500	3.500	128.74	2465907	3.750	2.250	763.93	2481173	160.00	110.00	311.65
2456835	8.250	3.500	156.30	2465908	11.530	7.000	569.83	2481174	170.00	110.00	370.84
2456836	7.500	3.500	211.19	2465909	2.750	1.500	61.73	2481175	6.500	4.750	331.14
2456837	8.250	3.500	142.55	2465910	4.000	1.500	37.77	2481176	6.000	4.750	305.35
2456839	7.250	3.500	147.92	2465911	2.500	1.500	45.16	2481178	7.250	4.750	231.58
2456840	4.500	3.500	231.92	2465912	2.750	1.500	45.86	2481179	7.000	4.750	334.52
2459835	6.000	3.750	312.14	2465913	3.000	1.500	51.79	2481181	7.250	4.750	265.24
2459838	6.500	3.750	207.61	2465914	3.500	1.500	65.91	2481182	7.000	4.750	291.57
2459839	6.500	3.750	218.82	2465915	3.500	1.500	67.73	2481183	6.500	4.750	235.05
2459840	7.750	3.750	217.60	2465916	2.250	1.500	45.81	2481185	7.000	4.750	332.27

INDUSTRIAL SEAL KITS

MOBILE SEAL KITS



CATERPILLAR

CATERPILLAR

KIT LISTING

Ref. Number RCAT-	BORE	ROD	\$	Ref. Number RCAT-	BORE	ROD	\$	Ref. Number RCAT-	BORE	ROD	\$
2481187	200.00	140.00	432.19	2590712	130.00	90.00	137.18	2944620	12.500	8.000	679.34
2481188	10.500	6.500	295.27	2590719	130.00	90.00	120.61	2949581	5.000	2.250	170.81
2481189	10.500	6.500	422.02	2590725	140.00	100.00	128.50	2949583	3.500	2.500	59.60
2481190	8.500	6.500	384.07	2590729	150.00	105.00	292.24	2950145	7.500	5.500	216.56
2481192	8.500	6.500	464.83	2590743	150.00	105.00	106.37	2950147	8.500	7.000	234.38
2481193	10.250	7.250	489.80	2590751	160.00	110.00	195.58	2950148	8.000	7.000	556.86
2481194	10.000	7.250	744.79	2590768	170.00	115.00	274.60	2950149	10.500	9.000	323.32
2481196	7.780	5.250	461.97	2590775	140.00	100.00	167.25	2959885	10.500	9.000	224.10
2481197	7.750	5.250	441.47	2590779	150.00	105.00	272.43	2959886	8.500	7.000	233.52
2481198	10.500	5.500	602.69	2601518	5.500	2.750	104.51	2959887	5.250	3.000	94.08
2502475	150.00	105.00	115.61	2605317	110.00	80.00	181.49	2959888	6.250	3.500	175.28
2502485	140.00	100.00	139.97	2605318	110.00	75.00	258.68	2959891	4.500	2.250	53.89
2502486	130.00	90.00	167.43	2605319	140.00	75.00	302.97	2959892	5.500	3.500	127.87
2502487	120.00	85.00	120.01	2605320	140.00	75.00	302.11	2959895	180.00	130.00	254.04
2519341	170.00	100.00	224.74	2610582	9.250	3.500	319.02	2976847	8.000	7.000	691.50
2519845	70.00	40.00	59.83	2618001	6.000	2.750	118.56	2976847-G	8.000	7.000	571.72
2521191	160.00	95.00	165.90	2618566	4.000	2.000	61.15	2976848	8.500	7.000	241.80
2522423	180.00	130.00	388.48	2645751	170.00	110.00	356.48	2976848-G	8.500	7.000	218.57
2522425	190.00	130.00	414.97	2645757	170.00	110.00	350.57	2976849	10.500	9.000	333.18
2522427	220.00	150.00	625.63	2667891	120.00	85.00	135.92	2976849-G	10.500	9.000	323.30
2525105	5.000	3.250	150.86	2667892	120.00	85.00	116.40	2976852	10.750	9.000	1425.11
2526101	160.00	90.00	259.62	2668011	120.00	85.00	135.92	3029176	220.00	110.00	563.22
2535204	4.250	2.500	44.22	2668012	140.00	100.00	167.25	3076273	3.000	2.000	31.63
2550913	5.500	3.250	292.56	2668015	140.00	100.00	118.66	3087849	10.750	9.000	1425.11
2567093	170.00	100.00	336.45	2668016	150.00	105.00	285.27	3105478	3.500	1.780	90.64
2578422	3.750	2.375	44.93	2668045	135.00	95.00	113.97	3126388	6.5, 8.25	5.0, 7.5	408.03
2580313	130.00	85.00	116.94	2668057	120.00	85.00	116.40	3170942	9.500	5.500	310.94
2580500	120.00	85.00	123.61	2742460	160.00	110.00	224.69	3189220	6.250	3.500	250.17
2580501	120.00	85.00	130.38	2742461	190.00	130.00	370.17	3189225	7.000	4.000	254.44
2580503	160.00	85.00	305.19	2742462	170.00	110.00	228.75	3193558	4.750	3.000	102.36
2590625	130.00	90.00	135.76	2742511	120.00	85.00	99.99	3193559	4.750	3.000	154.41
2590626	130.00	90.00	119.18	2742515	140.00	100.00	143.88	3195647	8.000	7.000	807.53
2590627	130.00	90.00	119.18	2742526	130.00	90.00	106.07	3195647-G	8.000	7.000	499.43
2590628	130.00	90.00	135.76	2748317	100.00	70.00	213.38	3206346	100.00	65.00	129.95
2590631	140.00	100.00	130.93	2748318	130.00	70.00	273.86	325C/STICK	180.00	130.00	359.34
2590632	140.00	100.00	128.50	2764172	70.00	50.00	39.92	3367341	15.125	12.500	2426.64
2590633	140.00	100.00	130.93	2773395	95.00	55.00	82.34	3367341-G	15.125	12.500	1602.97
2590634	140.00	100.00	128.50	2774140	85.00	50.00	69.44	3367342	16.125	13.500	2887.09
2590635	140.00	100.00	130.93	2774167	75.00	45.00	108.34	3367342-G	16.125	13.500	1914.73
2590636	150.00	105.00	292.24	2788641	80.00	45.00	62.41	3367343	14.250	12.500	1315.86
2590637	150.00	105.00	292.24	2790639	85.00	50.00	69.42	3367343-G	14.250	12.500	775.86
2590648	140.00	100.00	124.21	2797940	80.00	45.00	66.59	3367345	15.125	12.500	2114.94
2590650	150.00	105.00	285.27	2839122	65.00	35.00	36.38	3367345-G	15.125	12.500	1602.97
2590656	135.00	95.00	112.86	2860113	100.00	70.00	96.29	3367346	5.500	2.750	159.92
2590678	130.00	90.00	110.60	2860114	90.00	65.00	276.79	3367356	5.500	2.750	139.97
2590695	120.00	85.00	138.33	2861075	6.000	2.750	107.34	3367357	5.500	2.750	141.01
2590699	140.00	100.00	130.93	2937500	120.00	85.00	267.21	3367364	12.530	8.000	876.78
2590706	120.00	85.00	125.89	2937596	3.000	2.000	34.02	3367366	12.500	8.000	741.09

INDUSTRIAL
SEAL KITS

MOBILE
SEAL KITS



CATERPILLAR

Remsa [KITS]

KIT LISTING

CATERPILLAR

Ref. Number RCAT-	BORE	ROD	\$	Ref. Number RCAT-	BORE	ROD	\$	Ref. Number RCAT-	BORE	ROD	\$
3367367	18.375	16.125	0/R	5E8597	3.000	1.500	71.80	7X2668	4.500	2.500	133.14
3367368	13.125	11.000	1711.88	5I3047	120.00	80.00	191.72	7X2669	6.000	2.500	183.04
3367368-G	13.125	11.000	1482.01	5I8892	200.00	140.00	379.27	7X2670	3.750	2.500	71.75
3367369	12.500	11.000	856.96	5I8893	220.00	150.00	625.63	7X2671	5.500	2.500	115.99
3367369-G	12.500	11.000	406.20	5S9799	7.750	4.500	723.75	7X2672	5.500	2.500	69.52
3385840	15.125	12.500	2114.94	5U5413	4.500	3.500	241.04	7X2673	4.750	2.500	139.69
3385840-G	15.125	12.500	1602.97	5U7775	5.500	3.500	252.00	7X2674	6.000	2.500	101.19
3402686	5.500	2.500	133.35	628409	4.000	2.500	88.90	7X2675	5.000	2.500	97.29
3406080	12.500	11.000	884.34	6C6091	160.00	95.00	263.73	7X2676	6.500	2.500	85.67
3406080-G	12.500	11.000	442.08	6C6156	170.00	100.00	365.82	7X2677	4.750	2.000	91.64
3408491	13.125	11.000	1711.87	6E4057	-	-	103.22	7X2678	6.500	2.500	85.67
3408491-G	13.125	11.000	1482.01	6I6858	100.00	70.00	214.38	7X2679	6.000	2.500	108.19
3E2200	4.250	2.500	117.09	6U4788	5.500	3.500	251.78	7X2680	6.000	2.750	116.39
3E3005	5.530	3.500	327.09	6U9552	4.500	2.000	92.06	7X2681	7.250	2.750	96.50
3E3293	5.250	3.000	150.98	730133	-	-	156.86	7X2682	5.000	2.750	132.63
3E3297	3.250	1.875	83.72	769B/HOIST	5, 6, 7	3.5, 5.5, 6.5	454.01	7X2683	4.500	2.750	155.21
3E3298	4.000	2.125	36.32	773/REAR	8.500	7.000	169.27	7X2684	5.500	2.750	130.46
3E3299	3.500	2.500	113.90	777D/STEERING	3.500	2.500	74.99	7X2685	4.500	2.750	139.51
3E3300	4.250	2.500	91.30	7I0968	4.000	2.500	113.22	7X2686	6.500	2.750	102.55
3E3301	7.000	4.750	174.14	7I1360	130.00	90.00	232.27	7X2687	7.250	2.750	226.31
3E3303	6.500	4.000	230.50	7R6913	4.000	1.500	77.99	7X2688	6.250	2.750	125.69
3E7456	7.750	5.250	373.96	7U2486	4.500	4.000	252.80	7X2689	6.500	2.750	136.78
3E8877	4.500	2.375	150.94	7U2662	4.500	3.500	282.02	7X2690	5.500	2.750	84.56
3E8878	5.000	2.750	154.70	7U5074	5.250	2.000	278.41	7X2691	7.000	2.750	124.52
3E8880	8.250	5.750	614.43	7U6672	4.250	3.500	130.20	7X2692	6.000	2.500	139.54
3E8882	4.750	3.000	155.71	7U8058	4.500	2.750	121.36	7X2693	6.500	2.000	227.96
3E8883	4.750	3.000	132.00	7U8133	4.000	3.50	128.06	7X2694	6.500	3.000	134.95
3E8887	7.750	5.000	381.51	7U8423	4.000	2.000	116.63	7X2695	8.250	3.000	301.96
3E8888	6.000	3.750	268.93	7U8697	5.000	3.500	158.32	7X2696	6.500	3.000	74.21
3E8889	6.000	3.500	149.09	7U9545	4.500	2.000	241.92	7X2697	6.250	3.000	134.37
3G1688	N/A	N/A	144.34	7X0863	6.250	3.500	132.35	7X2698	6.000	3.000	158.27
3G1689	N/A	N/A	136.66	7X2451	4.250	2.750	86.83	7X2699	7.250	3.000	182.89
3G1707	N/A	N/A	96.19	7X2485	7.750	4.500	584.17	7X2700	4.500	2.000	60.28
3G1708	N/A	N/A	119.76	7X2653	5.500	2.500	127.21	7X2701	6.250	3.000	95.74
3G3690	N/A	N/A	84.44	7X2654	4.000	2.500	85.76	7X2702	7.300	3.000	241.16
4I3665	120.00	85.00	245.09	7X2655	6.000	2.500	95.40	7X2703	8.250	3.250	200.23
4I3668	140.00	100.00	240.95	7X2656	6.000	2.500	126.26	7X2704	7.000	3.250	120.13
4I3790	120.00	85.00	353.12	7X2657	6.500	2.500	174.97	7X2705	5.500	3.250	219.17
4I7664	100.00	65.00	160.10	7X2658	5.000	2.630	136.43	7X2706	7.750	3.250	226.56
4I8913	110.00	75.00	227.85	7X2659	4.000	2.500	122.74	7X2707	9.250	3.250	294.04
4I8914	100.00	65.00	160.03	7X2660	4.750	2.500	140.64	7X2708	9.250	3.250	173.12
4I9302	160.00	110.00	293.04	7X2661	7.250	2.500	141.67	7X2709	5.500	3.250	137.22
4I9390	130.00	95.00	286.90	7X2662	6.000	2.500	134.11	7X2710	7.000	3.250	220.24
4J9281	N/A	N/A	16.51	7X2663	4.250	2.500	38.67	7X2711	6.500	3.250	178.12
4J9285	N/A	N/A	24.77	7X2664	4.250	2.500	70.00	7X2712	5.500	3.250	78.70
5I130/ TRACK ADJUST	7.000	6.000	197.16	7X2665	4.000	2.500	130.70	7X2713	6.500	3.250	113.53
5E5629	-	-	126.92	7X2666	6.500	2.500	133.01	7X2714	5.500	3.250	137.22
				7X2667	4.500	2.500	74.82	7X2715	8.250	3.250	225.07

INDUSTRIAL
SEAL KITS

MOBILE
SEAL KITS



CATERPILLAR

CATERPILLAR

KIT LISTING

Ref. Number RCAT-	BORE	ROD	\$	Ref. Number RCAT-	BORE	ROD	\$	Ref. Number RCAT-	BORE	ROD	\$
7X2716	9.250	3.250	135.57	7X2782	4.000	2.000	36.22	7X7734	7.000	4.750	368.25
7X2717	8.250	3.250	171.82	7X2783	3.500	2.000	87.48	7X7735	6.000	3.500	187.10
7X2718	7.250	3.250	168.75	7X2784	3.500	1.750	47.86	7X7937	4.000	2.000	126.58
7X2719	8.500	3.500	159.57	7X2785	4.000	2.000	69.45	7X7938	3.750	2.000	88.86
7X2720	8.250	3.500	153.47	7X2787	3.750	2.000	76.71	7Y4698	150.00	105.00	285.62
7X2721	8.250	3.500	247.33	7X2788	5.000	2.000	95.29	7Y4970	170.00	110.00	316.51
7X2722	7.500	3.500	157.79	7X2789	4.000	2.000	86.66	7Y5145	130.00	85.00	227.04
7X2723	10.500	3.500	293.01	7X2790	4.000	1.750	78.97	7Y5147	130.00	95.00	253.90
7X2724	8.250	3.500	172.60	7X2791	3.000	2.000	75.26	8C3316	3.500	1.500	45.11
7X2725	8.250	3.500	330.53	7X2792	3.500	2.000	74.57	8C3317	2.750	1.500	42.10
7X2726	5.500	3.500	127.73	7X2793	10.500	4.000	393.20	8C3319	4.000	1.750	41.50
7X2727	8.250	3.500	292.51	7X2794	6.000	3.750	328.34	8C3406	4.000	2.500	85.76
7X2728	8.250	3.500	148.62	7X2795	4.000	2.250	89.68	8C3408	3.500	2.000	50.55
7X2729	5.000	2.250	137.91	7X2796	9.250	2.750	189.75	8C4029	3.000	1.500	29.82
7X2730	7.500	3.500	135.94	7X2797	5.000	2.000	60.24	8C4398	7.000	5.750	303.13
7X2731	6.500	3.750	220.06	7X2798	3.750	2.250	64.48	8C5768	6.000	2.500	84.27
7X2734	8.500	4.000	257.33	7X2799	9.250	4.000	303.94	8C5788	12.250	7.250	897.87
7X2736	2.750	1.500	107.37	7X2800	4.000	2.000	103.38	8C5848	7.530	3.500	275.99
7X2737	3.000	1.500	92.25	7X2801	8.250	3.250	207.58	8C6369	8.280	3.250	279.68
7X2738	4.000	1.500	74.30	7X2802	4.000	2.250	77.88	8C6707	6.500	2.000	227.96
7X2739	2.500	1.500	48.03	7X2803	6.000	2.750	145.60	8C6896	4.750	2.500	77.33
7X2740	3.500	2.250	109.79	7X2804	6.500	2.750	182.21	8C6958	6.000	4.500	219.93
7X2741	3.250	1.500	61.58	7X2805	4.500	2.000	102.48	8C9353	4.000	2.000	47.50
7X2742	8.500	4.000	183.65	7X2806	3.500	2.000	103.07	8C9438	4.500	2.000	59.99
7X2743	5.000	2.500	95.44	7X2807	3.750	1.750	31.46	8I0653	-	-	166.12
7X2745	3.000	1.500	92.25	7X2808	3.750	2.370	68.50	8J8652	N/A	N/A	161.67
7X2746	3.500	1.500	92.88	7X2809	11.500	7.000	352.11	8T1370	4.000	2.000	44.65
7X2747	5.000	2.250	158.71	7X2810	10.000	4.000	196.08	8T1371	4.000	1.750	42.53
7X2748	4.500	2.250	91.40	7X2811	10.000	4.000	233.22	8T1372	3.500	1.500	39.13
7X2749	2.750	1.500	50.17	7X2812	3.500	1.500	88.37	8T1373	3.000	2.000	33.83
7X2750	4.250	2.250	97.18	7X2813	5.500	3.000	192.86	8T1374	5.500	2.500	79.34
7X2751	3.000	1.500	54.41	7X2814	6.000	3.750	168.68	8T1375	5.000	2.630	57.16
7X2752	3.500	1.500	81.04	7X2815	4.750	2.250	82.15	8T1376	6.500	2.500	67.58
7X2753	3.000	2.000	50.26	7X2816	5.000	4.000	214.80	8T1377	8.250	5.000	567.27
7X2755	4.000	2.000	116.07	7X2818	3.500	2.250	76.64	8T1378	4.000	2.500	57.69
7X2756	5.250	3.000	107.42	7X2819	4.250	2.000	89.30	8T1379	8.250	3.250	257.59
7X2757	6.000	3.250	227.33	7X2820	2.750	1.750	67.22	8T1380	3.500	2.000	44.88
7X2760	3.000	2.000	54.62	7X2821	3.250	2.000	119.02	8T1381	4.750	2.500	65.81
7X2762	3.500	1.750	85.00	7X2822	3.500	2.000	81.16	8T1382	4.000	1.500	31.70
7X2763	5.000	2.000	115.07	7X2823	5.500	3.250	201.40	8T1383	6.500	2.750	70.96
7X2764	3.250	1.750	54.24	7X2824	5.000	2.750	101.02	8T1384	8.500	4.000	265.36
7X2765	6.500	4.000	200.23	7X2825	3.000	1.750	42.35	8T1385	5.000	2.250	80.69
7X2766	4.250	2.000	37.49	7X2826	2.250	1.500	34.60	8T1386	4.000	2.000	69.11
7X2767	3.250	2.000	54.54	7X2827	2.500	1.750	34.00	8T1387	1.500	0.750	51.29
7X2768	5.000	2.000	75.33	7X2828	2.750	1.750	67.41	8T1388	3.500	1.750	39.29
7X2769	3.500	2.000	95.88	7X2836	6.000	2.500	218.25	8T1389	4.000	2.375	40.44
7X2770	4.500	2.000	83.20	7X7718	6.500	4.750	213.42	8T1390	5.000	2.000	68.71
7X2773	4.750	2.500	151.55	7X7719	6.500	4.750	225.68	8T1391	6.000	3.250	78.70

INDUSTRIAL
SEAL KITS

MOBILE
SEAL KITS



CATERPILLAR

Remsa [KITS]

KIT LISTING

CATERPILLAR

Ref. Number RCAT-	BORE	ROD	\$	Ref. Number RCAT-	BORE	ROD	\$	Ref. Number RCAT-	BORE	ROD	\$
8T1392	3.250	1.750	91.07	8T1456	10.500	6.500	312.99	8T1563	5.500	3.250	198.46
8T1393	8.500	3.500	283.54	8T1457	7.000	4.000	163.17	8T1565	7.000	4.750	208.50
8T1394	7.000	3.250	182.41	8T1461	6.500	4.250	193.32	8T1566	6.500	3.250	150.81
8T1395	5.000	2.250	54.56	8T1462	6.500	4.750	206.84	8T1567	7.000	4.750	202.53
8T1396	4.500	2.250	47.67	8T1464	4.300	2.500	45.54	8T1772	4.500	2.500	92.09
8T1397	2.500	1.500	67.56	8T1466	4.000	2.500	55.60	8T1774	5.500	3.250	212.01
8T1398	5.500	3.250	176.13	8T1467	8.250	3.500	299.68	8T1907	6.000	3.750	351.18
8T1399	7.750	3.250	261.59	8T1468	8.250	3.500	105.96	8T1908	6.000	4.750	185.04
8T1400	6.500	3.000	68.59	8T1469	4.500	2.750	198.29	8T1909	6.000	5.000	286.91
8T1401	8.250	3.500	133.18	8T1470	4.500	2.750	198.29	8T2066	6.000	2.500	89.83
8T1402	2.750	1.500	42.10	8T1472	6.500	2.500	69.22	8T2166	8.250	3.250	112.53
8T1403	6.000	2.500	99.45	8T1473	3.750	2.250	112.57	8T2216	4.750	2.250	66.82
8T1404	7.250	2.750	93.66	8T1474	9.250	4.000	338.32	8T2289	5.000	4.000	104.87
8T1405	8.250	3.000	125.92	8T1475	7.750	4.500	770.59	8T2332	6.250	3.000	186.50
8T1406	5.000	2.500	60.74	8T1476	5.500	3.500	279.30	8T2582	10.250	7.250	489.80
8T1407	6.500	2.500	167.31	8T1477	8.250	3.500	171.85	8T2583	8.500	3.500	162.64
8T1408	6.500	3.000	68.59	8T1478	7.000	3.250	154.65	8T3015	3.750	2.500	114.92
8T1409	6.500	4.000	408.44	8T1479	7.750	5.000	306.54	8T3574	3.500	2.250	42.80
8T1410	8.250	3.500	125.03	8T1480	4.000	1.250	70.27	8T3575	4.250	2.000	38.45
8T1411	9.250	3.250	143.61	8T1481	4.000	2.000	128.44	8T3576	5.500	2.500	76.76
8T1412	4.250	2.000	37.49	8T1484	4.000	2.250	53.25	8T3577	5.500	2.500	161.21
8T1413	4.250	2.250	56.37	8T1488	6.000	2.500	88.13	8T3589	3.250	1.875	68.65
8T1414	3.250	2.000	99.90	8T1489	6.000	3.000	108.66	8T3590	3.250	2.000	117.43
8T1415	8.250	6.000	251.32	8T1494	5.500	2.750	145.06	8T3591	3.500	2.120	89.12
8T1416	7.250	2.500	77.33	8T1525	6.290	2.750	82.61	8T3593	4.750	2.125	60.30
8T1417	7.250	2.750	96.50	8T1526	6.000	2.750	161.69	8T3648	9.250	3.250	124.81
8T1418	6.000	2.500	104.11	8T1527	5.000	2.750	62.84	8T3649	7.500	3.500	278.76
8T1419	5.000	2.000	48.33	8T1528	6.500	2.750	182.85	8T3739	8.250	3.250	227.06
8T1420	3.500	2.000	46.63	8T1529	7.000	2.750	189.10	8T3740	7.300	3.000	101.22
8T1421	4.750	2.000	70.81	8T1530	6.250	2.750	223.03	8T3741	6.500	2.750	223.52
8T1422	6.000	2.500	99.45	8T1532	3.500	2.000	53.88	8T3852	3.000	1.870	163.87
8T1423	7.500	3.500	238.81	8T1534	4.500	2.500	54.93	8T4770	7.250	3.250	81.32
8T1424	6.500	2.500	207.95	8T1541	3.750	1.750	96.66	8T4771	1.500	0.750	64.55
8T1425	5.000	2.250	168.41	8T1542	3.750	2.370	114.70	8T4772	7.000	4.000	267.19
8T1426	5.500	3.250	169.21	8T1543	9.500	5.500	369.68	8T4891	4.750	2.500	146.02
8T1428	5.250	3.000	107.42	8T1544	11.500	7.000	530.14	8T4892	3.500	1.500	92.88
8T1429	4.250	2.500	124.87	8T1545	7.250	4.750	245.49	8T4938	-	-	112.20
8T1430	9.250	3.250	124.81	8T1546	10.000	4.000	367.35	8T4939	11.500	7.250	656.83
8T1431	4.500	2.000	126.89	8T1547	10.000	4.000	350.95	8T4940	5.000	2.750	73.04
8T1432	10.500	4.000	393.20	8T1548	3.500	1.500	40.75	8T6397	2.250	1.500	63.44
8T1434	6.000	3.750	358.81	8T1549	5.500	3.000	152.66	8T9042	8.250	5.000	386.64
8T1435	3.000	1.500	37.15	8T1551	7.250	3.000	153.28	8U4782	115.00	70.00	276.26
8T1438	4.250	2.500	53.30	8T1553	6.000	2.790	95.97	9J5108	N/A	N/A	34.11
8T1439	4.000	2.250	54.09	8T1554	6.500	2.750	117.03	9J5109	N/A	N/A	27.24
8T1446	5.000	2.000	135.64	8T1555	6.500	3.250	150.74	9J5110	N/A	N/A	29.81
8T1448	10.500	3.500	342.35	8T1556	6.500	3.750	263.04	9J5111	N/A	N/A	35.63
8T1451	6.250	3.000	79.61	8T1558	8.250	5.750	525.08	9J5112	N/A	N/A	32.64
8T1455	5.500	3.250	238.62	8T1559	8.250	3.500	95.41	9J5114	N/A	N/A	22.83

INDUSTRIAL SEAL KITS

MOBILE SEAL KITS



CATERPILLAR

CATERPILLAR

KIT LISTING

Ref. Number RCAT-	BORE	ROD	\$	Ref. Number RCAT-	BORE	ROD	\$	Ref. Number RCAT-	BORE	ROD	\$
9J5115	N/A	N/A	30.85	9X2050	5.500	2.500	85.54	9X6027	5.500	2.500	123.81
9J5116	N/A	N/A	23.37	9X2151	4.750	2.500	70.55	9X6254	6.500	4.250	205.59
9T0418	2.000	1.000	70.50	9X2400	4.000	2.125	101.22	9X6255	6.500	4.250	207.89
9T0741	1.500		82.84	9X2473	6.500	2.750	114.31	9X6261	6.000	4.000	241.24
9T4918	1.500	-	144.69	9X2515	4.000	2.250	46.99	9X6263	6.000	4.000	198.76
9X2020	3.750	2.750	92.46	9X2641	4.000	2.250	46.99	9X6379	6.500	4.250	269.67
9X2031	3.250	2.250	206.85	9X2644	7.750	3.500	196.91	9X6392	5.000	2.250	135.93
9X2047	5.500	2.500	91.91	9X6024	6.500	2.500	130.34	9X6393	6.000	3.750	232.16

INDUSTRIAL
SEAL KITS

MOBILE
SEAL KITS



CATERPILLAR

Remsa [KITS]

INDUSTRIAL
SEAL KITS

MOBILE
SEAL KITS

CATERPILLAR



CATERPILLAR

INDEX FOR PARTS

	ROD WIPER	KITS 260
	ROD SEAL	KITS 267
	PISTON SEAL	KITS 274
	VEE PACKING	KITS 278
	GUIDING ELEMENT	KITS 279
	O’RING KIT	KITS 287
	BACK-UPS	KITS 294
	RADIAL BEARINGS / SPHERE BEARINGS	KITS 296
	DUO-CONE	KITS 297
	HYD. HOSE COUPLING SEAL	KITS 299
	METAL BEARING	KITS 300
	OVERSIZE HEAD SEALS	KITS 301
	LOCK NUT	KITS 302
	RETAINING RING	KITS 303

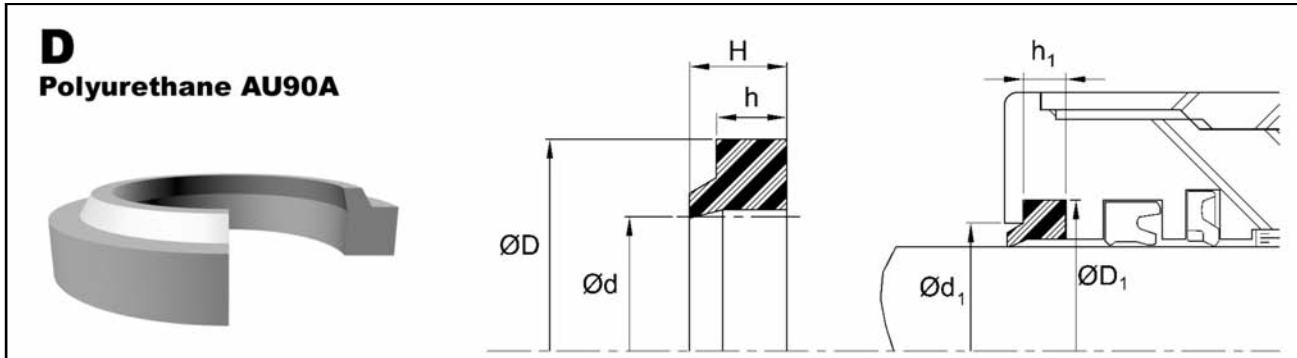
INDUSTRIAL
SEAL KITS

MOBILE
SEAL KITS

CATERPILLAR

CAT PARTS

ROD WIPER - INCH - TYPE "D"



Temperature: -40/189F [-40/87C]

Pressure: N/A

Ref.Number	Description	\$	Ref.Number	Description	\$
RCAT-5J2274	0.625 - ROD WIPER	3.45	RCAT-4T5540	3.750 - ROD WIPER	5.72
RCAT-6J1879	0.750 - ROD WIPER	4.32	RCAT-1389739	4.000 - ROD WIPER	6.44
RCAT-6J1890	1.000 - ROD WIPER	6.79	RCAT-3E4148	4.000 - ROD WIPER	6.44
RCAT-3E4138	1.125 - ROD WIPER	7.61	RCAT-5J2221	4.000 - ROD WIPER	6.44
RCAT-3E4139	1.250 - ROD WIPER	8.26	RCAT-4T1637	4.250 - ROD WIPER	6.64
RCAT-3E4140	1.375 - ROD WIPER	8.96	RCAT-7U4138	4.250 - ROD WIPER	0/R
RCAT-3E4141	1.500 - ROD WIPER	9.52	RCAT-3G8505	4.500 - ROD WIPER	7.21
RCAT-5J6795	1.500 - ROD WIPER	6.86	RCAT-3E4149	5.000 - ROD WIPER	10.05
RCAT-3E4163	1.625 - ROD WIPER	2.05	RCAT-9J2547	5.000 - ROD WIPER	10.05
RCAT-3E4142	1.750 - ROD WIPER	10.99	RCAT-4T5663	5.250 - ROD WIPER	12.42
RCAT-7U7648	1.750 - ROD WIPER	0/R	RCAT-3E4174	5.500 - ROD WIPER	21.48
RCAT-8T5431	1.750 - ROD WIPER	0/R	RCAT-6J3073	5.500 - ROD WIPER	43.52
RCAT-3G4721	1.875 - ROD WIPER	3.29	RCAT-1U2708	6.000 - ROD WIPER	14.79
RCAT-3E4143	2.000 - ROD WIPER	14.92	RCAT-7J3319	6.125 - ROD WIPER	27.30
RCAT-4T0415	2.000 - ROD WIPER	11.47	RCAT-1214174	6.250 - ROD WIPER	31.27
RCAT-5U3693	2.000 - ROD WIPER	12.58	RCAT-6J0542	6.500 - ROD WIPER	89.44
RCAT-1K5354	2.010 - ROD WIPER	0/R	RCAT-5J2682	7.000 - ROD WIPER	50.99
RCAT-3E4144	2.250 - ROD WIPER	16.48	RCAT-9X7366	7.000 - ROD WIPER	50.99
RCAT-6J0217	2.250 - ROD WIPER	11.85	RCAT-4T4802	7.250 - ROD WIPER	25.60
RCAT-3E4167	2.375 - ROD WIPER	3.95	RCAT-7J3320	7.500 - ROD WIPER	125.15
RCAT-5J8016	2.375 - ROD WIPER	3.79	RCAT-2892930	7.500 - ROD WIPER	77.76
RCAT-3E4145	2.500 - ROD WIPER	3.60	RCAT-1214172	7.750 - ROD WIPER	28.14
RCAT-5J8156	2.500 - ROD WIPER	4.04	RCAT-8J9934	8.500 - ROD WIPER	21.44
RCAT-3G4719	2.625 - ROD WIPER	4.04	RCAT-6E0252	8.750 - ROD WIPER	30.56
RCAT-3E4169	2.750 - ROD WIPER	4.14	RCAT-6J7694	9.000 - ROD WIPER	24.00
RCAT-5J7036	2.750 - ROD WIPER	4.14	RCAT-9X7367	9.000 - ROD WIPER	31.04
RCAT-3E4146	3.000 - ROD WIPER	4.34	RCAT-1214173	9.500 - ROD WIPER	57.61
RCAT-5J7030	3.000 - ROD WIPER	4.31	RCAT-4T4805	10.500 - ROD WIPER	47.67
RCAT-5U2818	3.000 - ROD WIPER	0/R	RCAT-1U4625	11.000 - ROD WIPER	33.45
RCAT-5J7034	3.250 - ROD WIPER	4.79	RCAT-9X7368	11.000 - ROD WIPER	33.45
RCAT-3E4171	3.375 - ROD WIPER	5.96	RCAT-1214171	11.500 - ROD WIPER	60.87
RCAT-3E4147	3.500 - ROD WIPER	4.93	RCAT-4T4130	12.500 - ROD WIPER	172.11
RCAT-5J7032	3.500 - ROD WIPER	4.93	RCAT-9X7369	12.500 - ROD WIPER	172.11
RCAT-5U3529	3.500 - ROD WIPER	4.93			
RCAT-3E4172	3.750 - ROD WIPER	7.47			

All manufacturer's names, part numbers and descriptions are used for reference purposes only. We do not imply that any part shown is the product of these manufacturers.

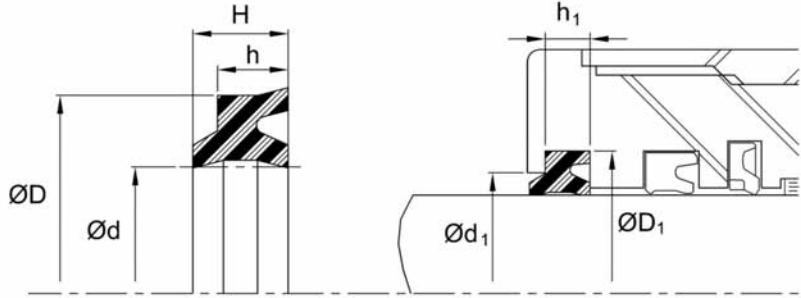
Remsa [KITS]

ROD WIPER - INCH - TYPE "H"

CAT PARTS

H

Polyurethane AU90A



Temperature: -40/189F [-40/87C]

Pressure: N/A

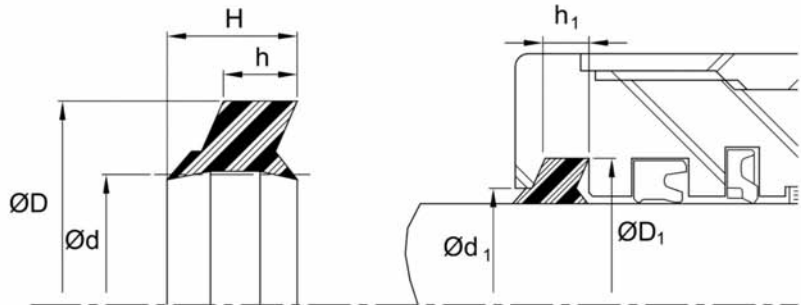
Ref.Number	Description	\$	Ref.Number	Description	\$
RCAT-3E4150	1.750 - ROD WIPER	4.04	RCAT-3E4155	3.500 - ROD WIPER	7.78
RCAT-3E4151	2.000 - ROD WIPER	4.61	RCAT-3E4156	4.000 - ROD WIPER	8.60
RCAT-3E4152	2.250 - ROD WIPER	4.87	RCAT-3E4157	4.500 - ROD WIPER	9.56
RCAT-3E4153	2.500 - ROD WIPER	5.12	RCAT-3E4158	5.000 - ROD WIPER	11.31
RCAT-3E4154	3.000 - ROD WIPER	6.56			

ROD WIPER - INCH - TYPE "K"

CAT PARTS

K

Polyurethane AU90A



Temperature: -40/189F [-40/87C]

Pressure: N/A

Ref.Number	Description	\$	Ref.Number	Description	\$
RCAT-3E4124	1.000 - ROD WIPER	6.90	RCAT-3E4132	2.750 - ROD WIPER	5.60
RCAT-3E4125	1.250 - ROD WIPER	3.15	RCAT-3E4133	3.000 - ROD WIPER	6.29
RCAT-3E4126	1.500 - ROD WIPER	3.62	RCAT-3E4134	3.500 - ROD WIPER	7.45
RCAT-3E4127	1.750 - ROD WIPER	3.85	RCAT-3E4135	4.000 - ROD WIPER	9.71
RCAT-3E4128	2.000 - ROD WIPER	4.39	RCAT-3E4136	4.500 - ROD WIPER	11.32
RCAT-3E4129	2.250 - ROD WIPER	16.53	RCAT-3E4137	5.000 - ROD WIPER	12.67
RCAT-3E4130	2.500 - ROD WIPER	4.89			
RCAT-3E4131	2.625 - ROD WIPER	5.21			

All manufacturer's names, part numbers and descriptions are used for reference purposes only. We do not imply that any part shown is the product of these manufacturers.

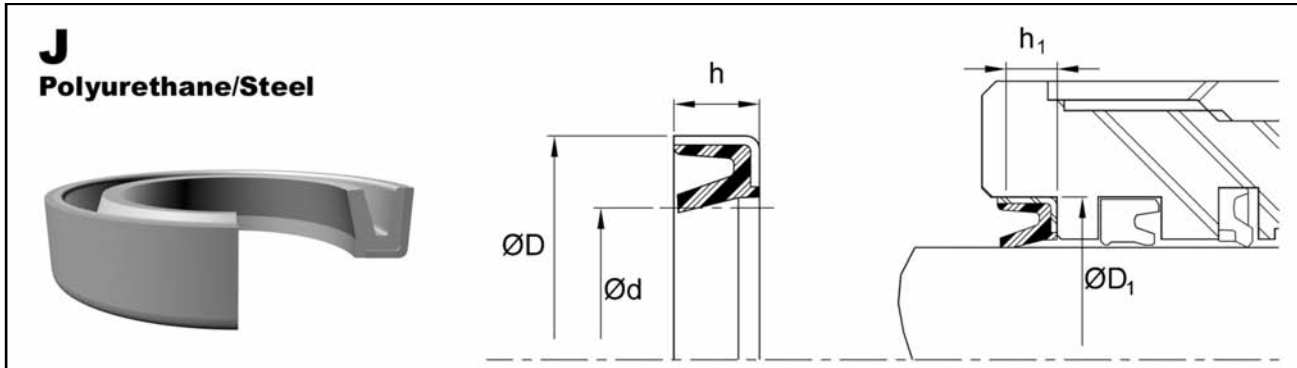
INDUSTRIAL
SEAL KITS

MOBILE
SEAL KITS

CATERPILLAR

CAT PARTS

ROD WIPER - INCH - TYPE "J"



Temperature: -65/200F [-54/94C]

Pressure: N/A

Ref.Number	Description	\$	Ref.Number	Description	\$
RCAT-4J8982	1.250 - ROD WIPER	5.48	RCAT-5P2671	3.750 - ROD WIPER	16.71
RCAT-3E4160	1.250 - ROD WIPER	5.96	RCAT-8J6069	3.750 - ROD WIPER	21.12
RCAT-3E4159	1.375 - ROD WIPER	9.99	RCAT-3E4177	4.000 - ROD WIPER	33.54
RCAT-3E4161	1.500 - ROD WIPER	6.65	RCAT-7J5673	4.000 - ROD WIPER	27.30
RCAT-4J8979	1.500 - ROD WIPER	5.02	RCAT-1389740	4.000 - ROD WIPER	0/R
RCAT-4T0486	1.625 - ROD WIPER	11.52	RCAT-7Y4667	4.000 - ROD WIPER	0/R
RCAT-3E4162	1.750 - ROD WIPER	7.43	RCAT-7J8942	4.250 - ROD WIPER	35.02
RCAT-4J8980	1.750 - ROD WIPER	5.66	RCAT-3E4178	4.500 - ROD WIPER	22.27
RCAT-4T6777	1.875 - ROD WIPER	11.87	RCAT-7K9218	4.500 - ROD WIPER	17.86
RCAT-9D6583	2.000 - ROD WIPER	6.65	RCAT-5P2672	4.500 - ROD WIPER	26.13
RCAT-3E4164	2.000 - ROD WIPER	8.34	RCAT-3J4458	4.500 - ROD WIPER	46.83
RCAT-1K6981	2.000 - ROD WIPER	5.57	RCAT-7J9256	4.750 - ROD WIPER	37.90
RCAT-4T6125	2.125 - ROD WIPER	9.20	RCAT-5P8488	5.000 - ROD WIPER	53.31
RCAT-9D6584	2.250 - ROD WIPER	7.57	RCAT-8J4520	5.000 - ROD WIPER	39.43
RCAT-3E4165	2.250 - ROD WIPER	13.54	RCAT-9J5469	5.750 - ROD WIPER	32.98
RCAT-4J3515	2.250 - ROD WIPER	6.24	RCAT-3J7622	6.000 - ROD WIPER	68.96
RCAT-5J3937	2.250 - ROD WIPER	0/R	RCAT-5P2322	6.500 - ROD WIPER	52.87
RCAT-5H1513	2.250 - ROD WIPER	30.15	RCAT-7J2806	6.500 - ROD WIPER	52.87
RCAT-6J3892	2.375 - ROD WIPER	11.70	RCAT-3J4460	6.750 - ROD WIPER	52.85
RCAT-3E4166	2.500 - ROD WIPER	15.33	RCAT-2J4779	7.000 - ROD WIPER	119.88
RCAT-5P8845	2.500 - ROD WIPER	14.10	RCAT-9X7333	7.000 - ROD WIPER	119.88
RCAT-1K6982	2.500 - ROD WIPER	15.58	RCAT-3J7761	7.250 - ROD WIPER	69.87
RCAT-9D6586	2.625 - ROD WIPER	12.37	RCAT-9X7354	9.000 - ROD WIPER	63.70
RCAT-1U4021	2.625 - ROD WIPER	9.87	RCAT-9X7353	11.000 - ROD WIPER	195.13
RCAT-3E4168	2.750 - ROD WIPER	17.36	RCAT-9X7352	12.500 - ROD WIPER	205.60
RCAT-1J3540	2.750 - ROD WIPER	18.91	RCAT-9X7350	13.500 - ROD WIPER	231.45
RCAT-3E4170	3.000 - ROD WIPER	17.84			
RCAT-5P4061	3.000 - ROD WIPER	14.95			
RCAT-2J1411	3.000 - ROD WIPER	20.72			
RCAT-7K9210	3.250 - ROD WIPER	15.95			
RCAT-3E4173	3.250 - ROD WIPER	17.40			
RCAT-6J4169	3.250 - ROD WIPER	21.15			
RCAT-3E4176	3.500 - ROD WIPER	23.81			
RCAT-4J8981	3.500 - ROD WIPER	9.96			
RCAT-8C5219	3.500 - ROD WIPER	32.92			

All manufacturer's names, part numbers and descriptions are used for reference purposes only. We do not imply that any part shown is the product of these manufacturers.

INDUSTRIAL
SEAL KITS

MOBILE
SEAL KITS

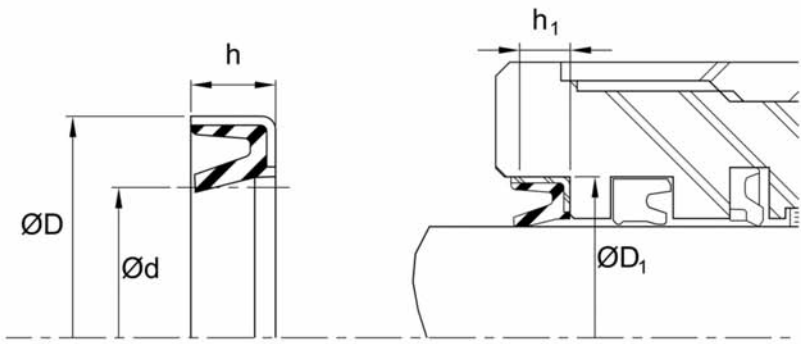
CATERPILLAR

Remsa [KITS]

ROD WIPER - INCH - TYPE "J/N"

CAT PARTS

J/N
Nitrile/Steel



Temperature: -50/250F [-45/121C]

Pressure: N/A

Ref.Number	Description	\$	Ref.Number	Description	\$
RCAT-2H1746	1.250 - ROD WIPER	4.83	RCAT-7J7732	3.250 - ROD WIPER	0/R
RCAT-5M9736	1.370 - ROD WIPER	0/R	RCAT-1J2150	3.500 - ROD WIPER	0/R
RCAT-5P0091	1.500 - ROD WIPER	5.22	RCAT-7J8276	3.500 - ROD WIPER	0/R
RCAT-9J4037	1.500 - ROD WIPER	0/R	RCAT-9J1325	3.750 - ROD WIPER	21.12
RCAT-5P0092	1.750 - ROD WIPER	5.96	RCAT-3G2650	4.000 - ROD WIPER	0/R
RCAT-8J5817	1.750 - ROD WIPER	0/R	RCAT-9J1333	4.250 - ROD WIPER	0/R
RCAT-5P0093	2.000 - ROD WIPER	6.82	RCAT-9J1337	4.500 - ROD WIPER	0/R
RCAT-7J8277	2.000 - ROD WIPER	0/R	RCAT-9J1341	4.750 - ROD WIPER	0/R
RCAT-7J8278	2.250 - ROD WIPER	0/R	RCAT-9J1681	5.000 - ROD WIPER	0/R
RCAT-9J1319	2.375 - ROD WIPER	11.70	RCAT-9J5473	5.750 - ROD WIPER	0/R
RCAT-1B0936	2.500 - ROD WIPER	0/R	RCAT-9J1697	6.000 - ROD WIPER	0/R
RCAT-5P0065	2.500 - ROD WIPER	0/R	RCAT-8J1877	6.500 - ROD WIPER	52.87
RCAT-7J8273	2.500 - ROD WIPER	15.58	RCAT-3G2646	7.000 - ROD WIPER	0/R
RCAT-7J8274	2.750 - ROD WIPER	18.91	RCAT-9X7355	18.450 - ROD WIPER	0/R
RCAT-9H6079	2.750 - ROD WIPER	0/R			
RCAT-5P0064	3.000 - ROD WIPER	0/R			
RCAT-8J0249	3.000 - ROD WIPER	20.72			

All manufacturer's names, part numbers and descriptions are used for reference purposes only. We do not imply that any part shown is the product of these manufacturers.

INDUSTRIAL
SEAL KITS

MOBILE
SEAL KITS

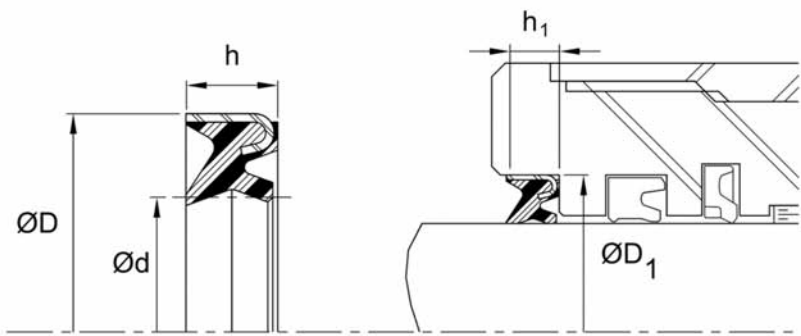
CATERPILLAR

CAT PARTS

ROD WIPER - INCH - TYPE "J/DL"

J/DL

Polyurethane/Steel



Temperature: -65/200F [-54/94C]

Pressure: N/A

Ref.Number	Description	\$	Ref.Number	Description	\$
RCAT-2H1746	1.250 - ROD WIPER	4.83	RCAT-8J0249	3.000 - ROD WIPER	20.72
RCAT-5M9736	1.370 - ROD WIPER	0/R	RCAT-7J7732	3.250 - ROD WIPER	0/R
RCAT-5P0091	1.500 - ROD WIPER	5.22	RCAT-1J2150	3.500 - ROD WIPER	0/R
RCAT-9J4037	1.500 - ROD WIPER	0/R	RCAT-7J8276	3.500 - ROD WIPER	0/R
RCAT-5P0092	1.750 - ROD WIPER	5.96	RCAT-9J1325	3.750 - ROD WIPER	21.12
RCAT-8J5817	1.750 - ROD WIPER	0/R	RCAT-3G2650	4.000 - ROD WIPER	0/R
RCAT-5P0093	2.000 - ROD WIPER	6.82	RCAT-9J1333	4.250 - ROD WIPER	0/R
RCAT-7J8277	2.000 - ROD WIPER	0/R	RCAT-9J1337	4.500 - ROD WIPER	0/R
RCAT-7J8278	2.250 - ROD WIPER	0/R	RCAT-9J1341	4.750 - ROD WIPER	0/R
RCAT-9J1319	2.375 - ROD WIPER	11.70	RCAT-9J1681	5.000 - ROD WIPER	0/R
RCAT-1B0936	2.500 - ROD WIPER	0/R	RCAT-9J5473	5.750 - ROD WIPER	0/R
RCAT-5P0065	2.500 - ROD WIPER	0/R	RCAT-9J1697	6.000 - ROD WIPER	0/R
RCAT-7J8273	2.500 - ROD WIPER	15.58	RCAT-8J1877	6.500 - ROD WIPER	52.87
RCAT-7J8274	2.750 - ROD WIPER	18.91	RCAT-3G2646	7.000 - ROD WIPER	0/R
RCAT-9H6079	2.750 - ROD WIPER	0/R	RCAT-9X7355	18.450 - ROD WIPER	0/R
RCAT-5P0064	3.000 - ROD WIPER	0/R			

All manufacturer's names, part numbers and descriptions are used for reference purposes only. We do not imply that any part shown is the product of these manufacturers.

INDUSTRIAL SEAL KITS

MOBILE SEAL KITS

CATERPILLAR

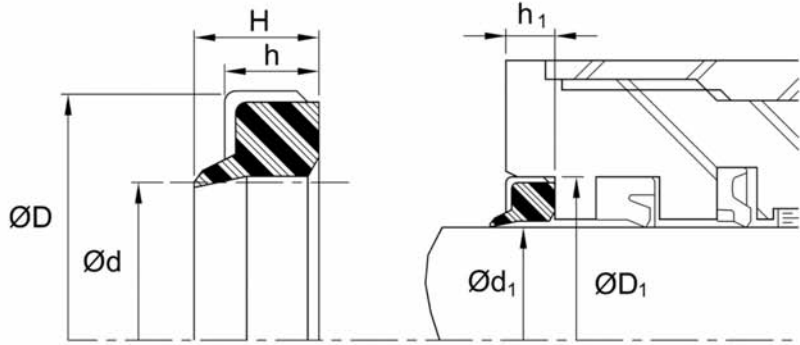
Remsa [KITS]

ROD WIPER - METRIC - TYPE "WO"

CAT PARTS

WO

Polyurethane/Steel



Temperature: -31/212F [-35/100C]

Pressure: N/A

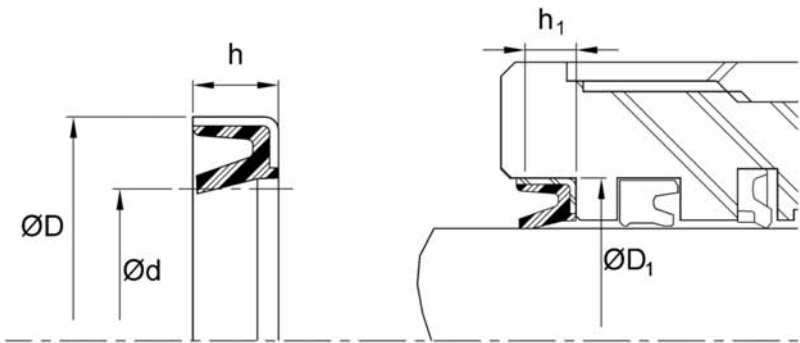
Ref.Number	Description	\$	Ref.Number	Description	\$
RCAT-1402392	35.00 - ROD WIPER	9.58	RCAT-0944057	100.00 - ROD WIPER	25.99
RCAT-0940723	90.00 - ROD WIPER	24.69	RCAT-1140705	105.00 - ROD WIPER	26.57

ROD WIPER - METRIC - TYPE "WS"

CAT PARTS

WS

Polyurethane/Steel



Temperature: -65/200F [-54/94C]

Pressure: N/A

Ref.Number	Description	\$	Ref.Number	Description	\$
RCAT-1163392	55.00 - ROD WIPER	24.40	RCAT-1076254	100.00 - ROD WIPER	49.15
RCAT-1163391	60.00 - ROD WIPER	26.44	RCAT-1140646	100.00 - ROD WIPER	49.15
RCAT-1163390	65.00 - ROD WIPER	28.04	RCAT-1140647	105.00 - ROD WIPER	47.49
RCAT-1163389	70.00 - ROD WIPER	30.09	RCAT-1119957	110.00 - ROD WIPER	50.35
RCAT-1163388	75.00 - ROD WIPER	32.35	RCAT-1119958	130.00 - ROD WIPER	60.29
RCAT-1163387	80.00 - ROD WIPER	38.15	RCAT-1076615	140.00 - ROD WIPER	61.78
RCAT-1140644	85.00 - ROD WIPER	43.30	RCAT-1076616	150.00 - ROD WIPER	64.78
RCAT-1163386	90.00 - ROD WIPER	46.81			

All manufacturer's names, part numbers and descriptions are used for reference purposes only. We do not imply that any part shown is the product of these manufacturers.

INDUSTRIAL
SEAL KITS

MOBILE
SEAL KITS

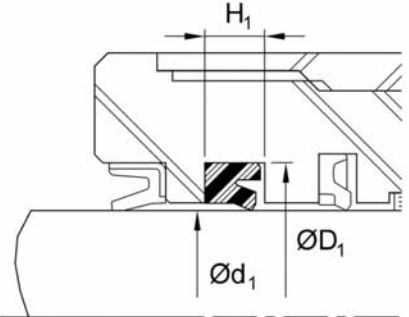
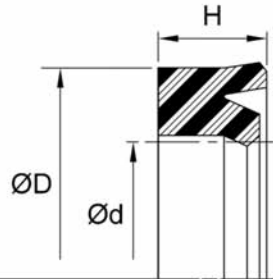
CATERPILLAR

CAT PARTS

ROD SEAL - INCH - TYPE "UR"

UR

Polyurethane AU92A



Temperature: -40/212F [-40/100C]

Pressure: 5000 PSI [345 Bar]

Ref.Number	Description	\$	Ref.Number	Description	\$
RCAT-1U3147	0.375 - ROD SEAL	4.79	RCAT-5J8400	4.000 - ROD SEAL	24.49
RCAT-7J0375	0.625 - ROD SEAL	6.11	RCAT-2U9113	4.000 - ROD SEAL	20.46
RCAT-6J1878	0.750 - ROD SEAL	6.34	RCAT-6J1425	4.250 - ROD SEAL	24.81
RCAT-6J1889	1.000 - ROD SEAL	4.22	RCAT-3G5054	4.375 - ROD SEAL	28.66
RCAT-5J8125	1.250 - ROD SEAL	8.08	RCAT-6J1450	4.500 - ROD SEAL	28.24
RCAT-5J8150	1.500 - ROD SEAL	9.30	RCAT-6J1475	4.750 - ROD SEAL	32.68
RCAT-2S5867	1.500 - ROD SEAL	15.25	RCAT-8J4524	5.000 - ROD SEAL	50.01
RCAT-4T0488	1.625 - ROD SEAL	10.26	RCAT-4T5699	5.250 - ROD SEAL	31.74
RCAT-5J8175	1.750 - ROD SEAL	10.63	RCAT-6J1550	5.500 - ROD SEAL	38.66
RCAT-4T6898	1.875 - ROD SEAL	22.44	RCAT-3G2286	5.750 - ROD SEAL	58.04
RCAT-3G3259	2.000 - ROD SEAL	17.15	RCAT-9J5467	5.750 - ROD SEAL	52.93
RCAT-5J8200	2.000 - ROD SEAL	13.24	RCAT-4T9901	6.000 - ROD SEAL	38.35
RCAT-3P1344	2.125 - ROD SEAL	13.92	RCAT-8J4394	6.250 - ROD SEAL	40.04
RCAT-4T6126	2.125 - ROD SEAL	19.35	RCAT-6J1650	6.500 - ROD SEAL	60.70
RCAT-5J8225	2.250 - ROD SEAL	14.09	RCAT-8J4387	6.500 - ROD SEAL	72.80
RCAT-3G2911	2.375 - ROD SEAL	40.40	RCAT-3G4627	6.750 - ROD SEAL	42.78
RCAT-5J8238	2.375 - ROD SEAL	13.41	RCAT-6J1700	7.000 - ROD SEAL	55.78
RCAT-3G3752	2.500 - ROD SEAL	37.13	RCAT-1672352	7.000 - ROD SEAL	66.15
RCAT-5J0964	2.500 - ROD SEAL	13.73	RCAT-7J3322	7.500 - ROD SEAL	45.78
RCAT-3G4718	2.625 - ROD SEAL	14.01	RCAT-6E0172	7.643 - ROD SEAL	46.70
RCAT-5J8275	2.750 - ROD SEAL	14.01	RCAT-6E0039	8.000 - ROD SEAL	60.69
RCAT-5J8300	3.000 - ROD SEAL	14.46	RCAT-1086219	8.750 - ROD SEAL	O/R
RCAT-1P4879	3.000 - ROD SEAL	33.74			
RCAT-5J8325	3.250 - ROD SEAL	15.25			
RCAT-3G5051	3.375 - ROD SEAL	15.25			
RCAT-5J8350	3.500 - ROD SEAL	15.93			
RCAT-1P4880	3.500 - ROD SEAL	20.55			
RCAT-5J8375	3.750 - ROD SEAL	18.70			

All manufacturer's names, part numbers and descriptions are used for reference purposes only. We do not imply that any part shown is the product of these manufacturers.

INDUSTRIAL
SEAL KITS

MOBILE
SEAL KITS

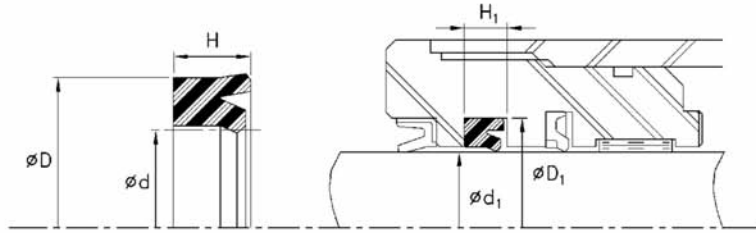
CATERPILLAR

ROD SEAL - METRIC - TYPE "RA"

CAT PARTS

RA

Polyurethane AU94A



Temperature: -31/212F [-35/100C]

Pressure: 6000 PSI [415]

Ref.Number	Description	\$	Ref.Number	Description	\$
RCAT-0996996	55.00 - ROD SEAL	14.35	RCAT-0961572	100.00 - ROD SEAL	25.70
RCAT-0931475	60.00 - ROD SEAL	14.87	RCAT-0962664	100.00 - ROD SEAL	20.51
RCAT-0931476	65.00 - ROD SEAL	14.82	RCAT-1076256	100.00 - ROD SEAL	29.36
RCAT-0931477	70.00 - ROD SEAL	16.67	RCAT-7Y4670	105.00 - ROD SEAL	33.60
RCAT-0963468	75.00 - ROD SEAL	20.29	RCAT-7Y4942	110.00 - ROD SEAL	37.97
RCAT-0931479	80.00 - ROD SEAL	15.59	RCAT-1289270	110.00 - ROD SEAL	37.97
RCAT-0961567	85.00 - ROD SEAL	22.63	RCAT-1672341	130.00 - ROD SEAL	67.19
RCAT-7Y5117	85.00 - ROD SEAL	24.18	RCAT-8C9187	140.00 - ROD SEAL	55.14
RCAT-1052577	90.00 - ROD SEAL	25.37	RCAT-1475770	140.00 - ROD SEAL	55.14
RCAT-0961587	90.00 - ROD SEAL	35.38	RCAT-2160009	140.00 - ROD SEAL	31.06
RCAT-7Y4629	95.00 - ROD SEAL	26.84	RCAT-8C9191	150.00 - ROD SEAL	69.39

All manufacturer's names, part numbers and descriptions are used for reference purposes only. We do not imply that any part shown is the product of these manufacturers.

INDUSTRIAL SEAL KITS

MOBILE SEAL KITS

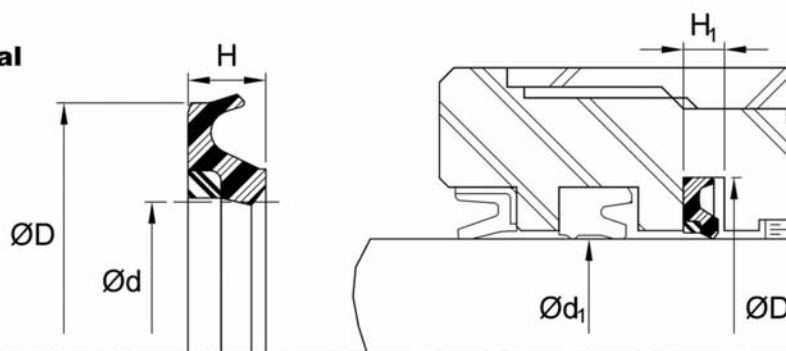
CATERPILLAR

CAT PARTS

ROD SEAL - INCH - TYPE "HBY"

HBY

Polyurethane AU 94A/Polyacetal



Temperature: -31/212F [-35/100C]

Pressure: 8500 PSI [586 Bar]

Ref.Number	Description	\$	Ref.Number	Description	\$
RCAT-1402310	1.375 - BUFFER RING	0/R	RCAT-1672216	4.000 - BUFFER RING	7.52
RCAT-1410706	1.375 - BUFFER RING	0/R	RCAT-1422634	4.500 - BUFFER RING	0/R
RCAT-1506738	1.750 - BUFFER RING	16.90	RCAT-1339572	5.500 - BUFFER RING	0/R
RCAT-1438915	1.770 - BUFFER RING	0/R	RCAT-1615788	6.000 - BUFFER RING	0/R
RCAT-1444055	1.870 - BUFFER RING	0/R	RCAT-1615787	6.000 - BUFFER RING	0/R
RCAT-1506744	2.120 - BUFFER RING	19.66	RCAT-1367396	6.500 - BUFFER RING	0/R
RCAT-1506750	2.500 - BUFFER RING	12.04	RCAT-1367358	6.500 - BUFFER RING	0/R
RCAT-1485674	2.750 - BUFFER RING	13.08	RCAT-1351995	7.000 - BUFFER RING	99.97
RCAT-1529022	3.000 - BUFFER RING	14.35	RCAT-1367359	7.250 - BUFFER RING	0/R
RCAT-1400234	3.250 - BUFFER RING	0/R	RCAT-1351997	7.500 - BUFFER RING	0/R
RCAT-1422633	3.500 - BUFFER RING	16.27	RCAT-1493256	8.000 - BUFFER RING	195.35
RCAT-1306056	4.000 - BUFFER RING	29.20	RCAT-1351999	8.750 - BUFFER RING	0/R

All manufacturer's names, part numbers and descriptions are used for reference purposes only. We do not imply that any part shown is the product of these manufacturers.

INDUSTRIAL SEAL KITS

MOBILE SEAL KITS

CATERPILLAR

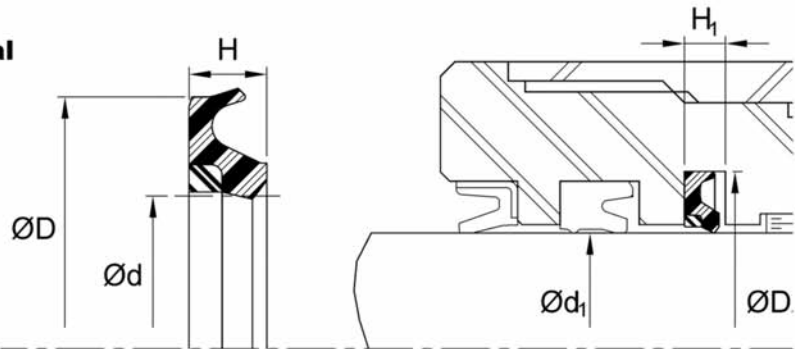
Remsa [KITS]

ROD SEAL - METRIC - TYPE "RH"

CAT PARTS

RH

Polyurethane AU94A/Polyacetal



Temperature: -31/212F [-35/100C]

Pressure: 8500 PSI [584 Bar]

Ref.Number	Description	\$	Ref.Number	Description	\$
RCAT-0996997	55.00 - BUFFER RING	36.04	RCAT-7Y4671	105.00 - BUFFER RING	69.26
RCAT-1336785	55.00 - BUFFER RING	36.04	RCAT-1672219	109.00 - BUFFER RING	73.66
RCAT-0931481	60.00 - BUFFER RING	22.71	RCAT-1289266	110.00 - BUFFER RING	50.36
RCAT-1336784	60.00 - BUFFER RING	37.14	RCAT-7Y4943	110.00 - BUFFER RING	50.36
RCAT-0931482	65.00 - BUFFER RING	27.00	RCAT-1559191	124.00 - BUFFER RING	79.40
RCAT-1262149	65.00 - BUFFER RING	27.00	RCAT-1211593	127.00 - BUFFER RING	O/R
RCAT-1262150	69.00 - BUFFER RING	29.46	RCAT-1506262	127.00 - BUFFER RING	O/R
RCAT-0931483	70.00 - BUFFER RING	29.46	RCAT-0965169	130.00 - BUFFER RING	84.86
RCAT-1262151	75.00 - BUFFER RING	31.33	RCAT-1262108	130.00 - BUFFER RING	81.69
RCAT-0963469	75.00 - BUFFER RING	31.33	RCAT-1475769	139.00 - BUFFER RING	91.96
RCAT-1262152	80.00 - BUFFER RING	33.18	RCAT-8C9189	140.00 - BUFFER RING	138.17
RCAT-0931484	80.00 - BUFFER RING	33.18	RCAT-8C9193	150.00 - BUFFER RING	90.57
RCAT-1231943	84.00 - BUFFER RING	35.60			
RCAT-7Y5118	85.00 - BUFFER RING	35.60			
RCAT-0961585	90.00 - BUFFER RING	42.97			
RCAT-1232048	90.00 - BUFFER RING	58.60			
RCAT-7Y4630	95.00 - BUFFER RING	45.37			
RCAT-1505885	95.00 - BUFFER RING	63.82			
RCAT-0962663	100.00 - BUFFER RING	46.67			
RCAT-2043623	100.00 - BUFFER RING	46.67			
RCAT-1231983	100.00 - BUFFER RING	46.67			
RCAT-1231942	105.00 - BUFFER RING	48.37			
RCAT-1289265	105.00 - BUFFER RING	69.26			

All manufacturer's names, part numbers and descriptions are used for reference purposes only. We do not imply that any part shown is the product of these manufacturers.

INDUSTRIAL SEAL KITS

MOBILE SEAL KITS

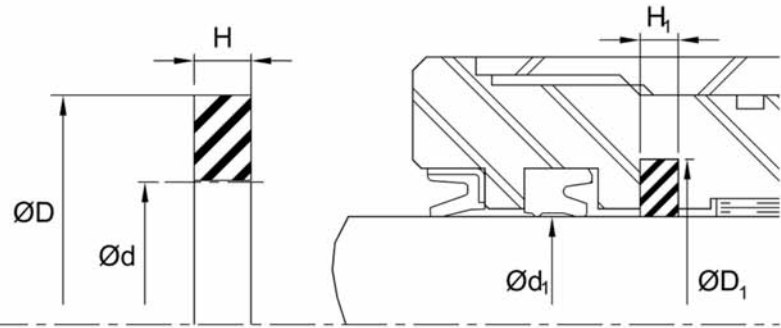
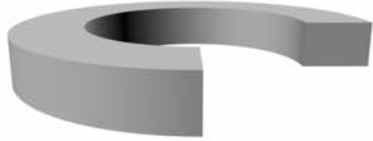
CATERPILLAR

CAT PARTS

ROD SEAL - INCH - SEAL RING

CAT SEAL RING

Polyurethane 92A or
Buna 90D



Temperature: -40/250F [-40/121C]

Pressure: 5000 PSI [345 Bar]

Ref.Number	Description	\$	Ref.Number	Description	\$
RCAT-5P4673	0.875 - BUFFER RING	3.70	RCAT-9J1186	6.500 - BUFFER RING	19.93
RCAT-9J3497	1.250 - BUFFER RING	3.88	RCAT-9J1203	6.500 - BUFFER RING	16.83
RCAT-6J9733	1.500 - BUFFER RING	4.88	RCAT-6J8631	6.500 - BUFFER RING	18.35
RCAT-4T0487	1.625 - BUFFER RING	4.43	RCAT-3G8506	6.750 - BUFFER RING	24.35
RCAT-6J9178	1.750 - BUFFER RING	4.69	RCAT-9J2495	7.000 - BUFFER RING	19.04
RCAT-4T6778	1.875 - BUFFER RING	11.68	RCAT-8T3539	7.000 - BUFFER RING	11.43
RCAT-6J6917	2.000 - BUFFER RING	5.69	RCAT-8T3540	7.000 - BUFFER RING	17.70
RCAT-4T6127	2.125 - BUFFER RING	5.92	RCAT-5J1731	7.000 - BUFFER RING	15.45
RCAT-5J3616	2.250 - BUFFER RING	5.92	RCAT-5J5150	7.000 - BUFFER RING	11.43
RCAT-6J6916	2.375 - BUFFER RING	6.30	RCAT-4T4803	7.250 - BUFFER RING	45.77
RCAT-5J3620	2.500 - BUFFER RING	6.45	RCAT-4T4804	7.250 - BUFFER RING	18.59
RCAT-1U4020	2.625 - BUFFER RING	7.49	RCAT-7J3867	7.500 - BUFFER RING	19.93
RCAT-6J6553	2.750 - BUFFER RING	6.85	RCAT-7J3868	7.500 - BUFFER RING	20.09
RCAT-6J6915	3.000 - BUFFER RING	7.21	RCAT-1214165	7.750 - BUFFER RING	47.49
RCAT-6J7167	3.250 - BUFFER RING	7.73	RCAT-1214166	7.750 - BUFFER RING	20.40
RCAT-6J6736	3.500 - BUFFER RING	9.77	RCAT-8J9916	8.500 - BUFFER RING	14.96
RCAT-3G1259	3.625 - BUFFER RING	8.26	RCAT-6E0250	8.750 - BUFFER RING	54.01
RCAT-8J6070	3.750 - BUFFER RING	10.46	RCAT-6E0251	8.750 - BUFFER RING	17.44
RCAT-7J3863	4.000 - BUFFER RING	14.35	RCAT-6J7693	9.000 - BUFFER RING	22.43
RCAT-7J3864	4.000 - BUFFER RING	8.58	RCAT-8T3541	9.000 - BUFFER RING	11.43
RCAT-8J4627	4.000 - BUFFER RING	16.84	RCAT-8T3542	9.000 - BUFFER RING	20.96
RCAT-7J8943	4.250 - BUFFER RING	8.91	RCAT-4T4806	10.500 - BUFFER RING	56.53
RCAT-3G5055	4.375 - BUFFER RING	7.97	RCAT-4T4807	10.500 - BUFFER RING	33.24
RCAT-8J0388	4.500 - BUFFER RING	9.26	RCAT-1U4623	11.000 - BUFFER RING	58.54
RCAT-3G8507	4.500 - BUFFER RING	51.95	RCAT-1U4624	11.000 - BUFFER RING	24.50
RCAT-7J9257	4.750 - BUFFER RING	13.71	RCAT-8T7575	11.000 - BUFFER RING	66.72
RCAT-9J2548	5.000 - BUFFER RING	9.72	RCAT-8T7576	11.000 - BUFFER RING	16.98
RCAT-9J3053	5.000 - BUFFER RING	13.63	RCAT-1214163	11.500 - BUFFER RING	62.27
RCAT-8J4509	5.000 - BUFFER RING	14.93	RCAT-1214164	11.500 - BUFFER RING	19.80
RCAT-4T5717	5.250 - BUFFER RING	17.37	RCAT-8T7573	12.500 - BUFFER RING	69.08
RCAT-8J9449	5.500 - BUFFER RING	10.76	RCAT-8T7574	12.500 - BUFFER RING	22.92
RCAT-8J9450	5.500 - BUFFER RING	17.93			
RCAT-9J5468	5.750 - BUFFER RING	17.62			
RCAT-7J3865	6.125 - BUFFER RING	12.05			
RCAT-7J3866	6.125 - BUFFER RING	21.55			

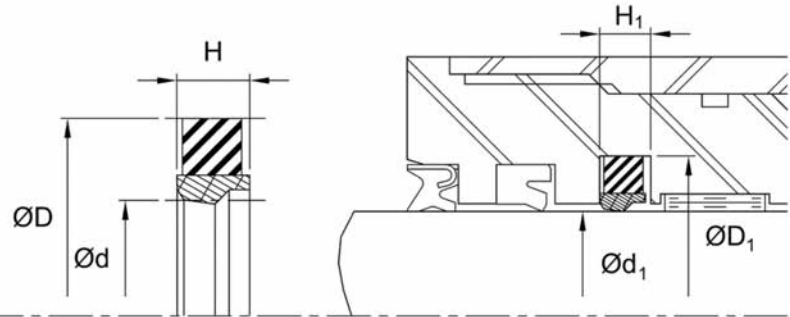
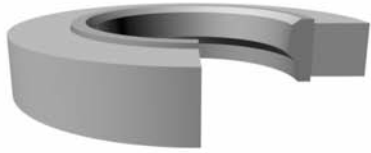
All manufacturer's names, part numbers and descriptions are used for reference purposes only. We do not imply that any part shown is the product of these manufacturers.

Remsa [KITS]

ROD SEAL - INCH - STEP SEAL

CAT PARTS

CAT STEP SEAL PTFE/Nitrile



Temperature: -30/250F [-34/121C]

Pressure: 5800 PSI [400 Bar]

Ref.Number	Description	\$	Ref.Number	Description	\$
RCAT-1353251	1.250 - BUFFER RING	9.32	RCAT-6E0425	4.250 - BUFFER RING	46.95
RCAT-8C9122	1.500 - BUFFER RING	11.53	RCAT-8C9144	4.500 - BUFFER RING	43.92
RCAT-8C9117	1.625 - BUFFER RING	11.09	RCAT-9X7261	4.750 - BUFFER RING	48.86
RCAT-8C9123	1.750 - BUFFER RING	12.29	RCAT-9X3581	5.000 - BUFFER RING	49.64
RCAT-9X3566	1.875 - BUFFER RING	13.51	RCAT-9X7267	5.250 - BUFFER RING	51.17
RCAT-8C9124	2.000 - BUFFER RING	13.46	RCAT-9X3572	5.500 - BUFFER RING	49.27
RCAT-9X3568	2.125 - BUFFER RING	16.78	RCAT-9X3575	5.750 - BUFFER RING	54.84
RCAT-8C9125	2.250 - BUFFER RING	17.34	RCAT-9X3614	6.000 - BUFFER RING	54.22
RCAT-8C9138	2.375 - BUFFER RING	19.31	RCAT-9X7322	6.500 - BUFFER RING	58.96
RCAT-8C3839	2.500 - BUFFER RING	16.05	RCAT-8C9145	6.750 - BUFFER RING	62.83
RCAT-9T9363	2.625 - BUFFER RING	20.27	RCAT-8C9130	7.000 - BUFFER RING	68.76
RCAT-8C3841	2.750 - BUFFER RING	20.46	RCAT-1080133	7.250 - BUFFER RING	72.22
RCAT-8C9126	3.000 - BUFFER RING	19.09	RCAT-1080131	7.500 - BUFFER RING	85.38
RCAT-8C9121	3.250 - BUFFER RING	20.38	RCAT-6E0246	8.000 - BUFFER RING	84.90
RCAT-8C9127	3.500 - BUFFER RING	24.64	RCAT-9X7327	8.250 - BUFFER RING	87.86
RCAT-8C9128	3.750 - BUFFER RING	26.12	RCAT-1086212	8.750 - BUFFER RING	93.38
RCAT-8C9129	4.000 - BUFFER RING	27.54			

All manufacturer's names, part numbers and descriptions are used for reference purposes only. We do not imply that any part shown is the product of these manufacturers.

INDUSTRIAL SEAL KITS

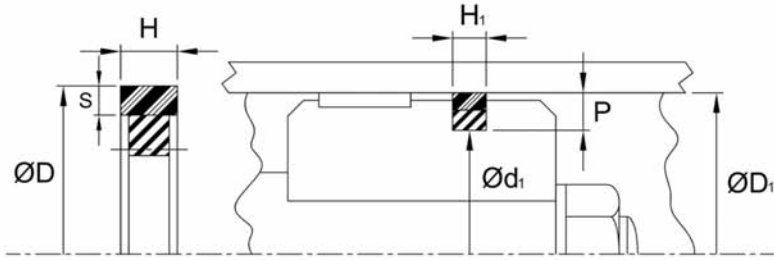
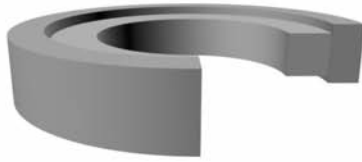
MOBILE SEAL KITS

CATERPILLAR

CAT PARTS

ROD SEAL - INCH - SEAL RING

CAT TYPE-1 PTFE/Nitrile



Temperature: -65/225F [-54/107C]

Pressure: 5000 PSI [345 BAR]

Ref.Number	Description	\$	Ref.Number	Description	\$
RCAT-3E4277	1.000 - PISTON SEAL	7.40	RCAT-5J4989	6.000 - PISTON SEAL	27.91
RCAT-3E4278	1.250 - PISTON SEAL	7.60	RCAT-5J4990	6.250 - PISTON SEAL	28.87
RCAT-5J9822	1.500 - PISTON SEAL	8.05	RCAT-5J4990/030	6.280 - PISTON SEAL	48.14
RCAT-3E4279	1.750 - PISTON SEAL	8.52	RCAT-5J4991	6.500 - PISTON SEAL	29.96
RCAT-5J7004	2.000 - PISTON SEAL	8.78	RCAT-5J4997	7.000 - PISTON SEAL	31.30
RCAT-1U3998	2.250 - PISTON SEAL	9.35	RCAT-5J4997/030	7.030 - PISTON SEAL	53.21
RCAT-8J6213	2.500 - PISTON SEAL	10.00	RCAT-5J4993	7.250 - PISTON SEAL	32.65
RCAT-5J7010	2.750 - PISTON SEAL	11.00	RCAT-9J7117	7.500 - PISTON SEAL	34.08
RCAT-6J1972	3.000 - PISTON SEAL	11.26	RCAT-5J7016	7.750 - PISTON SEAL	35.52
RCAT-6J0793	3.250 - PISTON SEAL	11.83	RCAT-3E4280	8.000 - PISTON SEAL	37.08
RCAT-5J7013	3.500 - PISTON SEAL	12.56	RCAT-5J5559	8.250 - PISTON SEAL	39.00
RCAT-5J8011	3.750 - PISTON SEAL	13.27	RCAT-5J5559/030	8.280 - PISTON SEAL	93.90
RCAT-5J8011/030	3.780 - PISTON SEAL	32.10	RCAT-6J9385	8.500 - PISTON SEAL	40.34
RCAT-9J9872	4.000 - PISTON SEAL	15.22	RCAT-3E4281	9.000 - PISTON SEAL	41.28
RCAT-5J5402	4.000 - PISTON SEAL	14.65	RCAT-5J7019	9.250 - PISTON SEAL	47.94
RCAT-7J2032	4.000 - PISTON SEAL	0/R	RCAT-8T6923	9.500 - PISTON SEAL	274.71
RCAT-4T0529	4.125 - PISTON SEAL	15.74	RCAT-3E4282	9.500 - PISTON SEAL	47.01
RCAT-5J7854	4.250 - PISTON SEAL	16.30	RCAT-1214179	10.000 - PISTON SEAL	194.94
RCAT-5J4986	4.500 - PISTON SEAL	18.13	RCAT-5J6762	10.500 - PISTON SEAL	150.03
RCAT-5J4987	4.750 - PISTON SEAL	20.65	RCAT-6E0253	11.000 - PISTON SEAL	140.71
RCAT-9X7542	4.750 - PISTON SEAL	21.56			
RCAT-5J5020	5.000 - PISTON SEAL	22.27			
RCAT-5J5020/030	5.030 - PISTON SEAL	38.96			
RCAT-5J7234	5.250 - PISTON SEAL	26.05			
RCAT-5J4988	5.500 - PISTON SEAL	26.52			
RCAT-9J4981	5.750 - PISTON SEAL	27.52			

All manufacturer's names, part numbers and descriptions are used for reference purposes only. We do not imply that any part shown is the product of these manufacturers.

INDUSTRIAL
SEAL KITS

MOBILE
SEAL KITS

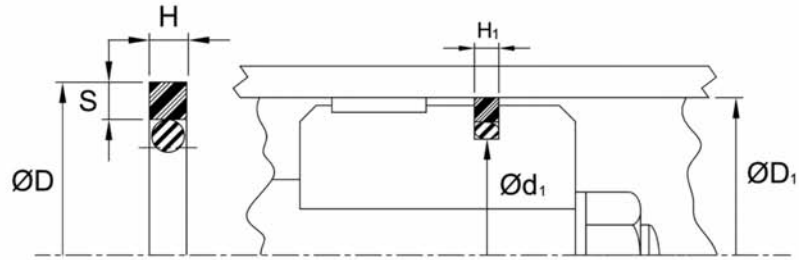
CATERPILLAR

PISTON SEAL - INCH - TYPE-2

CAT PARTS

CAT TYPE-2 - Piston Seals

PTFE/Nitrile



Temperature: -40/200F [-40/93C]

Pressure: 5000 PSI [345 BAR]

Ref.Number	Description	\$	Ref.Number	Description	\$
RCAT-3E4241	0.500 - PISTON SEAL	2.61	RCAT-3E4261	4.750 - PISTON SEAL	5.74
RCAT-3E4242	0.625 - PISTON SEAL	2.74	RCAT-3E4262	5.000 - PISTON SEAL	5.87
RCAT-3E4243	0.750 - PISTON SEAL	2.87	RCAT-3E4263	5.250 - PISTON SEAL	6.30
RCAT-3E4244	1.000 - PISTON SEAL	3.13	RCAT-3E4264	5.500 - PISTON SEAL	6.48
RCAT-3E4245	1.125 - PISTON SEAL	4.17	RCAT-3E4265	5.750 - PISTON SEAL	6.87
RCAT-3E4246	1.250 - PISTON SEAL	3.45	RCAT-3E4266	6.000 - PISTON SEAL	7.21
RCAT-3E4247	1.500 - PISTON SEAL	3.60	RCAT-3E4267	6.250 - PISTON SEAL	7.70
RCAT-3E4248	1.625 - PISTON SEAL	3.66	RCAT-3E4268	6.500 - PISTON SEAL	9.13
RCAT-3E4249	1.750 - PISTON SEAL	3.74	RCAT-3E4269	6.750 - PISTON SEAL	9.26
RCAT-3E4250	2.000 - PISTON SEAL	3.89	RCAT-3E4270	7.000 - PISTON SEAL	9.39
RCAT-3E4251	2.250 - PISTON SEAL	4.05	RCAT-3E4271	7.250 - PISTON SEAL	9.39
RCAT-3E4252	2.500 - PISTON SEAL	4.09	RCAT-3E4272	7.500 - PISTON SEAL	9.43
RCAT-3E4253	2.750 - PISTON SEAL	4.13	RCAT-3E4273	7.750 - PISTON SEAL	9.61
RCAT-3E4254	3.000 - PISTON SEAL	4.25	RCAT-3E4274	8.000 - PISTON SEAL	10.43
RCAT-3E4255	3.250 - PISTON SEAL	4.31	RCAT-3E4275	8.250 - PISTON SEAL	23.13
RCAT-3E4256	3.500 - PISTON SEAL	4.44	RCAT-3E4276	8.500 - PISTON SEAL	27.00
RCAT-3E4257	3.750 - PISTON SEAL	4.66			
RCAT-3E4258	4.000 - PISTON SEAL	4.70			
RCAT-3E4259	4.250 - PISTON SEAL	4.83			
RCAT-3E4260	4.500 - PISTON SEAL	5.26			

All manufacturer's names, part numbers and descriptions are used for reference purposes only. We do not imply that any part shown is the product of these manufacturers.

INDUSTRIAL SEAL KITS

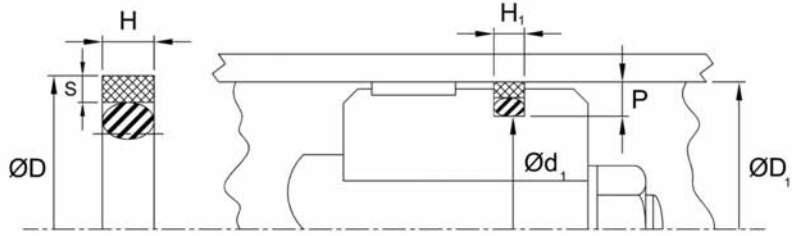
MOBILE SEAL KITS

CATERPILLAR

CAT PARTS

PISTON SEAL - INCH - TYPE-3

CAT TYPE-3 Nylon/Nitrile (Step Cut)



Temperature: -40/275F [-40/135C]

Pressure: 5000 PSI [345 BAR]

Ref.Number	Description	\$	Ref.Number	Description	\$
RCAT-8C9170	2.000 - PISTON SEAL	0/R	RCAT-9X7264	5.000 - PISTON SEAL	44.76
RCAT-8C4905	2.280 - PISTON SEAL	55.38	RCAT-8T0776	5.000 - PISTON SEAL	152.28
RCAT-8C4908	2.310 - PISTON SEAL	56.67	RCAT-8T1787	5.000 - PISTON SEAL	125.64
RCAT-8C9167	2.500 - PISTON SEAL	137.79	RCAT-8T8251	5.030 - PISTON SEAL	126.50
RCAT-8C4911	2.530 - PISTON SEAL	87.38	RCAT-8T8254	5.060 - PISTON SEAL	124.30
RCAT-8C4914	2.560 - PISTON SEAL	61.84	RCAT-8T0763	5.250 - PISTON SEAL	36.51
RCAT-8C4917	2.780 - PISTON SEAL	67.15	RCAT-8T8257	5.280 - PISTON SEAL	129.80
RCAT-8C4920	2.810 - PISTON SEAL	68.68	RCAT-8T8260	5.310 - PISTON SEAL	127.94
RCAT-9X7337	3.000 - PISTON SEAL	74.80	RCAT-6E0465	5.500 - PISTON SEAL	55.96
RCAT-8T8209	3.030 - PISTON SEAL	76.28	RCAT-4T5173	5.500 - PISTON SEAL	34.27
RCAT-8T8212	3.060 - PISTON SEAL	77.53	RCAT-8T8263	5.530 - PISTON SEAL	160.51
RCAT-8C4923	3.280 - PISTON SEAL	84.08	RCAT-9X4563	5.530 - PISTON SEAL	133.24
RCAT-8C4926	3.310 - PISTON SEAL	85.75	RCAT-8T8266	5.560 - PISTON SEAL	99.72
RCAT-4T8054	3.500 - PISTON SEAL	31.62	RCAT-8C9173	6.000 - PISTON SEAL	168.49
RCAT-8T8215	3.530 - PISTON SEAL	87.91	RCAT-4T4144	6.000 - PISTON SEAL	37.98
RCAT-8T8218	3.560 - PISTON SEAL	88.34	RCAT-8T8269	6.030 - PISTON SEAL	172.84
RCAT-9X7274	3.750 - PISTON SEAL	89.29	RCAT-8C4929	6.030 - PISTON SEAL	141.23
RCAT-8T8221	3.780 - PISTON SEAL	89.77	RCAT-8T8272	6.060 - PISTON SEAL	173.61
RCAT-8T8224	3.810 - PISTON SEAL	90.34	RCAT-8C4932	6.060 - PISTON SEAL	173.75
RCAT-8C9160	4.000 - PISTON SEAL	36.75	RCAT-8T1788	6.250 - PISTON SEAL	146.30
RCAT-8T8227	4.030 - PISTON SEAL	100.48	RCAT-8T8275	6.280 - PISTON SEAL	134.58
RCAT-8T8230	4.060 - PISTON SEAL	101.15	RCAT-8C4935	6.280 - PISTON SEAL	144.68
RCAT-8C9164	4.250 - PISTON SEAL	99.67	RCAT-8T8278	6.310 - PISTON SEAL	178.54
RCAT-8T8233	4.280 - PISTON SEAL	103.26	RCAT-8C4938	6.310 - PISTON SEAL	177.87
RCAT-8T8236	4.310 - PISTON SEAL	103.78	RCAT-4T8695	6.500 - PISTON SEAL	39.66
RCAT-9X7269	4.500 - PISTON SEAL	55.58	RCAT-8T8281	6.530 - PISTON SEAL	189.06
RCAT-4T5172	4.500 - PISTON SEAL	126.60	RCAT-8C4941	6.530 - PISTON SEAL	148.12
RCAT-8T8239	4.530 - PISTON SEAL	105.74	RCAT-8T8284	6.560 - PISTON SEAL	183.65
RCAT-9X4551	4.530 - PISTON SEAL	130.52	RCAT-8C4944	6.560 - PISTON SEAL	96.13
RCAT-8T8242	4.560 - PISTON SEAL	106.41	RCAT-8T1789	7.000 - PISTON SEAL	32.77
RCAT-4T8588	4.750 - PISTON SEAL	104.36	RCAT-8T8287	7.030 - PISTON SEAL	192.36
RCAT-8C5215	4.750 - PISTON SEAL	118.18	RCAT-8C5100	7.030 - PISTON SEAL	155.01
RCAT-8T8245	4.780 - PISTON SEAL	108.23	RCAT-8T8290	7.060 - PISTON SEAL	193.65
RCAT-8T8248	4.810 - PISTON SEAL	108.90	RCAT-8C5103	7.060 - PISTON SEAL	192.07
RCAT-7J2032	5.000 - PISTON SEAL	44.88	RCAT-8T1790	7.250 - PISTON SEAL	157.68

All manufacturer's names, part numbers and descriptions are used for reference purposes only. We do not imply that any part shown is the product of these manufacturers.

PISTON SEAL - INCH - TYPE-3

CAT PARTS

Ref.Number	Description	\$	Ref.Number	Description	\$
RCAT-8T8293	7.280 - PISTON SEAL	125.21	RCAT-8T1794	10.000 - PISTON SEAL	95.67
RCAT-8C5112	7.280 - PISTON SEAL	158.83	RCAT-8C5142	10.030 - PISTON SEAL	263.62
RCAT-8T8296	7.310 - PISTON SEAL	201.88	RCAT-8C5145	10.060 - PISTON SEAL	267.11
RCAT-8C5115	7.310 - PISTON SEAL	196.81	RCAT-8T1795	10.250 - PISTON SEAL	98.23
RCAT-8T1791	7.500 - PISTON SEAL	163.81	RCAT-8C5148	10.280 - PISTON SEAL	266.97
RCAT-8C0558	7.530 - PISTON SEAL	202.31	RCAT-8C5151	10.310 - PISTON SEAL	268.21
RCAT-8C5118	7.530 - PISTON SEAL	162.28	RCAT-8T1796	10.500 - PISTON SEAL	99.85
RCAT-8C0561	7.560 - PISTON SEAL	203.36	RCAT-8C5154	10.530 - PISTON SEAL	270.27
RCAT-8C5121	7.560 - PISTON SEAL	201.59	RCAT-8C5157	10.560 - PISTON SEAL	271.37
RCAT-8T1792	7.750 - PISTON SEAL	39.01	RCAT-1080125	11.000 - PISTON SEAL	283.42
RCAT-8C5124	7.780 - PISTON SEAL	208.14	RCAT-1293706	11.030 - PISTON SEAL	282.65
RCAT-8C5127	7.810 - PISTON SEAL	212.25	RCAT-8T1797	11.500 - PISTON SEAL	125.86
RCAT-8T1793	8.250 - PISTON SEAL	58.97	RCAT-8C5160	11.530 - PISTON SEAL	284.09
RCAT-8T8299	8.280 - PISTON SEAL	218.42	RCAT-8C5163	11.560 - PISTON SEAL	O/R
RCAT-8C5130	8.280 - PISTON SEAL	174.18	RCAT-9X7326	12.000 - PISTON SEAL	244.30
RCAT-8T8302	8.310 - PISTON SEAL	219.52	RCAT-6E0307	12.500 - PISTON SEAL	323.93
RCAT-8C5133	8.310 - PISTON SEAL	162.85	RCAT-1293712	12.530 - PISTON SEAL	311.11
RCAT-9T0119	8.500 - PISTON SEAL	59.76	RCAT-1086211	13.000 - PISTON SEAL	412.07
RCAT-8C5136	8.530 - PISTON SEAL	227.61	RCAT-1921443	13.000 - PISTON SEAL	365.20
RCAT-8C5139	8.560 - PISTON SEAL	187.29	RCAT-1293709	13.030 - PISTON SEAL	317.04
RCAT-2066958	9.076 - PISTON SEAL	198.03	RCAT-1214185	13.500 - PISTON SEAL	386.92
RCAT-4T4143	9.250 - PISTON SEAL	187.43	RCAT-1301857	13.530 - PISTON SEAL	297.69
RCAT-8T8305	9.280 - PISTON SEAL	188.44			
RCAT-8T8384	9.310 - PISTON SEAL	194.08			
RCAT-9X7321	9.500 - PISTON SEAL	262.33			

PISTON SEAL - METRIC - TYPE-3M

CAT PARTS

RCAT-9X7298	100.00 - PISTON SEAL	75.69	RCAT-1082871	150.76 - PISTON SEAL	O/R
RCAT-1333094	100.76 - PISTON SEAL	O/R	RCAT-9X3604	160.00 - PISTON SEAL	81.32
RCAT-9X3586	105.00 - PISTON SEAL	94.74	RCAT-1333106	160.76 - PISTON SEAL	O/R
RCAT-9X7301	110.00 - PISTON SEAL	89.85	RCAT-9X3607	170.00 - PISTON SEAL	87.55
RCAT-1333098	110.76 - PISTON SEAL	O/R	RCAT-1333110	170.76 - PISTON SEAL	O/R
RCAT-9X3589	115.00 - PISTON SEAL	35.37	RCAT-9X3610	180.00 - PISTON SEAL	87.53
RCAT-9X3592	120.00 - PISTON SEAL	89.85	RCAT-1333114	180.76 - PISTON SEAL	O/R
RCAT-1082870	120.76 - PISTON SEAL	O/R	RCAT-1251286	190.00 - PISTON SEAL	107.66
RCAT-9X3595	130.00 - PISTON SEAL	89.85	RCAT-8C9179	200.00 - PISTON SEAL	152.87
RCAT-1082869	130.76 - PISTON SEAL	O/R	RCAT-1333118	200.76 - PISTON SEAL	O/R
RCAT-1233135	140.00 - PISTON SEAL	O/R	RCAT-1723918	210.00 - PISTON SEAL	226.84
RCAT-9X3598	140.00 - PISTON SEAL	81.82	RCAT-8C9182	220.00 - PISTON SEAL	157.53
RCAT-1333102	140.76 - PISTON SEAL	O/R			
RCAT-9X3601	150.00 - PISTON SEAL	81.32			

All manufacturer's names, part numbers and descriptions are used for reference purposes only. We do not imply that any part shown is the product of these manufacturers.

INDUSTRIAL SEAL KITS

MOBILE SEAL KITS

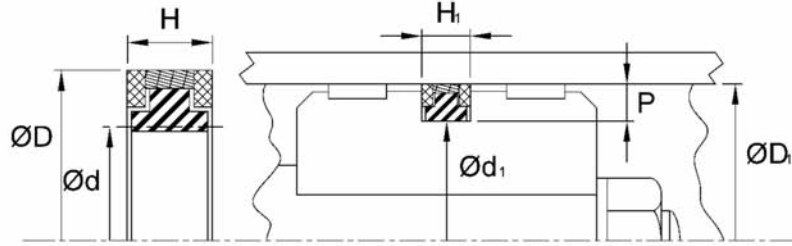
CATERPILLAR

CAT PARTS

PISTON SEAL - INCH - TYPE-4

CAT TYPE-4

GF/M.PTFE / Nylon / Nitrile



Temperature: -20/220F [-29/104]

Pressure: 6500 PSI [450 BAR]

Ref.Number	Description	\$	Ref.Number	Description	\$
RCAT-8J3747	4.500 - PISTON SEAL	64.50	RCAT-9J5567/030	7.530 - PISTON SEAL	213.15
RCAT-9J7868	5.000 - PISTON SEAL	78.81	RCAT-8J5644	7.750 - PISTON SEAL	117.11
RCAT-8J8767	5.500 - PISTON SEAL	88.42	RCAT-8J5644/030	7.780 - PISTON SEAL	222.07
RCAT-8J8767/030	5.030 - PISTON SEAL	170.20	RCAT-8J4390	8.250 - PISTON SEAL	124.93
RCAT-9J1242	6.000 - PISTON SEAL	92.39	RCAT-3G4762	8.500 - PISTON SEAL	131.04
RCAT-9J5558	6.250 - PISTON SEAL	94.37	RCAT-3G4762/030	8.530 - PISTON SEAL	201.02
RCAT-8J8703	6.500 - PISTON SEAL	104.12	RCAT-9J3406	10.000 - PISTON SEAL	155.45
RCAT-8J3749	7.000 - PISTON SEAL	107.36	RCAT-3G0889	10.250 - PISTON SEAL	146.31
RCAT-8J3749/B	7.000 - PISTON SEAL	138.53	RCAT-3G4765	10.500 - PISTON SEAL	167.90
RCAT-8J3749/030	7.030 - PISTON SEAL	203.58	RCAT-3G4765/030	10.530 - PISTON SEAL	214.36
RCAT-8J4510	7.250 - PISTON SEAL	110.85	RCAT-1080125/4PCS	11.000 - PISTON SEAL	187.53
RCAT-9J5567	7.500 - PISTON SEAL	112.40	RCAT-9J2987	11.500 - PISTON SEAL	191.11
			RCAT-9J2987/030	11.530 - PISTON SEAL	362.83

CAT PARTS

PISTON SEAL - METRIC - TYPE-4M

RCAT-0996998	80.00 - PISTON SEAL	39.47	RCAT-5I5928	100.00 - PISTON SEAL	48.04
RCAT-0996973	90.00 - PISTON SEAL	44.47	RCAT-0996922	110.00 - PISTON SEAL	51.13

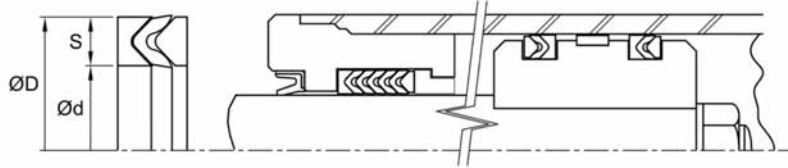
All manufacturer's names, part numbers and descriptions are used for reference purposes only. We do not imply that any part shown is the product of these manufacturers.

VEE PACKING - INCH - VEE SET

CAT PARTS

CAT Vee Set

Neofab/Hytrel/Nylon



Temperature: -40/250F [-40/121C]

Pressure: N/A

Ref.Number	Description	\$	Ref.Number	Description	\$
RCAT-1K7110	1.250 - VEE PACKING SET	6.02	RCAT-2J9325	6.000 - VEE PACKING SET	O/R
RCAT-5F6308	1.500 - VEE PACKING SET	9.35	RCAT-2K1888	6.250 - VEE PACKING SET	106.04
RCAT-3D1123	1.500 - VEE PACKING SET	10.04	RCAT-8M3910	6.500 - VEE PACKING SET	22.30
RCAT-2K0248	1.750 - VEE PACKING SET	13.58	RCAT-2J6401	6.500 - VEE PACKING SET	O/R
RCAT-3F9609	2.000 - VEE PACKING SET	12.88	RCAT-3J9741	6.750 - VEE PACKING SET	43.57
RCAT-1K7112	2.000 - VEE PACKING SET	11.97	RCAT-4J1195	7.000 - VEE PACKING SET	69.74
RCAT-2K4434	2.250 - VEE PACKING SET	13.71	RCAT-3J7768	7.250 - VEE PACKING SET	80.16
RCAT-1H4492	2.250 - VEE PACKING SET	16.30	RCAT-4J1150	7.250 - VEE PACKING SET	93.82
RCAT-4F8420	2.500 - VEE PACKING SET	15.94	RCAT-6V0638	7.875 - VEE PACKING SET	97.21
RCAT-1K7114	2.500 - VEE PACKING SET	18.22	RCAT-5P9488	10.500 - VEE PACKING SET	164.09
RCAT-4J5830	2.500 - VEE PACKING SET	15.94			
RCAT-5F3498	2.750 - VEE PACKING SET	31.80			
RCAT-2J1408	3.000 - VEE PACKING SET	21.04			
RCAT-2K1516	3.000 - VEE PACKING SET	31.79			
RCAT-4J6897	3.250 - VEE PACKING SET	25.11			
RCAT-8M3912	3.500 - VEE PACKING SET	13.49			
RCAT-1J2148	3.500 - VEE PACKING SET	26.49			
RCAT-2K4010	3.500 - VEE PACKING SET	38.48			
RCAT-1K7104	3.525 - VEE PACKING SET	O/R			
RCAT-3K8340	4.000 - VEE PACKING SET	15.87			
RCAT-2J6382	4.000 - VEE PACKING SET	15.87			
RCAT-2K0050	4.000 - VEE PACKING SET	42.18			
RCAT-3J9740	4.500 - VEE PACKING SET	13.83			
RCAT-2K1335	4.500 - VEE PACKING SET	36.03			
RCAT-3J7759	5.000 - VEE PACKING SET	15.87			
RCAT-3K8330	5.000 - VEE PACKING SET	15.87			
RCAT-2J3723	5.500 - VEE PACKING SET	O/R			
RCAT-2K0029	5.525 - VEE PACKING SET	O/R			
RCAT-3K8350	6.000 - VEE PACKING SET	19.30			

All manufacturer's names, part numbers and descriptions are used for reference purposes only. We do not imply that any part shown is the product of these manufacturers.

INDUSTRIAL SEAL KITS

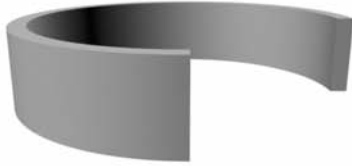
MOBILE SEAL KITS

CATERPILLAR

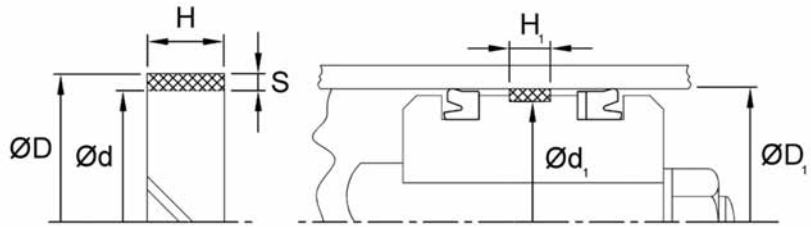
CAT PARTS

GUIDING ELEMENT - INCH - PISTON APPLICATION

WR
Nylon



PISTON APPLICATION



Temperature: -40/250F [-40/121C]

Pressure: N/A

Ref.Number	Description	\$	Ref.Number	Description	\$
RCAT-5W5108	0.600 - GUIDE ELEMENT	0/R	RCAT-8C0547	3.780 - GUIDE ELEMENT	0/R
RCAT-8U5770	0.700 - GUIDE ELEMENT	0/R	RCAT-8T8337	3.780 - GUIDE ELEMENT	44.29
RCAT-1038329	1.180 - GUIDE ELEMENT	17.96	RCAT-8C0548	3.810 - GUIDE ELEMENT	0/R
RCAT-5J9073	1.500 - GUIDE ELEMENT	5.47	RCAT-8T8338	3.810 - GUIDE ELEMENT	0/R
RCAT-5J7942	2.000 - GUIDE ELEMENT	3.91	RCAT-1259696	3.980 - GUIDE ELEMENT	57.56
RCAT-7H2423	2.250 - GUIDE ELEMENT	6.26	RCAT-1M1571	4.000 - GUIDE ELEMENT	13.65
RCAT-8C4802	2.280 - GUIDE ELEMENT	0/R	RCAT-3D4522	4.000 - GUIDE ELEMENT	9.39
RCAT-8C4803	2.310 - GUIDE ELEMENT	0/R	RCAT-5J7154	4.000 - GUIDE ELEMENT	6.14
RCAT-8J6212	2.500 - GUIDE ELEMENT	7.36	RCAT-6J2797	4.000 - GUIDE ELEMENT	16.46
RCAT-8C4804	2.530 - GUIDE ELEMENT	0/R	RCAT-4F3515	4.010 - GUIDE ELEMENT	0/R
RCAT-8C4805	2.560 - GUIDE ELEMENT	0/R	RCAT-8C0539	4.030 - GUIDE ELEMENT	0/R
RCAT-1182716	2.680 - GUIDE ELEMENT	33.87	RCAT-8T8311	4.030 - GUIDE ELEMENT	0/R
RCAT-8J0112	2.750 - GUIDE ELEMENT	10.49	RCAT-8T8335	4.030 - GUIDE ELEMENT	0/R
RCAT-8C4806	2.780 - GUIDE ELEMENT	0/R	RCAT-8T8312	4.060 - GUIDE ELEMENT	0/R
RCAT-8C4807	2.810 - GUIDE ELEMENT	0/R	RCAT-8T8336	4.060 - GUIDE ELEMENT	0/R
RCAT-6J5733	3.000 - GUIDE ELEMENT	13.14	RCAT-1259699	4.130 - GUIDE ELEMENT	37.92
RCAT-8T6443	3.000 - GUIDE ELEMENT	12.23	RCAT-5J8157	4.250 - GUIDE ELEMENT	15.60
RCAT-8C4947	3.030 - GUIDE ELEMENT	0/R	RCAT-6J4003	4.250 - GUIDE ELEMENT	11.69
RCAT-8T8361	3.030 - GUIDE ELEMENT	0/R	RCAT-6J7264	4.250 - GUIDE ELEMENT	21.34
RCAT-8C4948	3.060 - GUIDE ELEMENT	0/R	RCAT-8C0541	4.280 - GUIDE ELEMENT	32.17
RCAT-8T8362	3.060 - GUIDE ELEMENT	0/R	RCAT-8T8325	4.280 - GUIDE ELEMENT	27.12
RCAT-7U7647	3.250 - GUIDE ELEMENT	0/R	RCAT-8T8329	4.280 - GUIDE ELEMENT	0/R
RCAT-8J2577	3.250 - GUIDE ELEMENT	8.50	RCAT-8C0542	4.310 - GUIDE ELEMENT	0/R
RCAT-8J6371	3.250 - GUIDE ELEMENT	14.20	RCAT-8T8326	4.310 - GUIDE ELEMENT	0/R
RCAT-8T6683	3.250 - GUIDE ELEMENT	46.41	RCAT-8T8330	4.310 - GUIDE ELEMENT	0/R
RCAT-8C4808	3.280 - GUIDE ELEMENT	0/R	RCAT-1182721	4.370 - GUIDE ELEMENT	20.61
RCAT-8C4809	3.310 - GUIDE ELEMENT	0/R	RCAT-2D0829	4.500 - GUIDE ELEMENT	0/R
RCAT-4J3236	3.500 - GUIDE ELEMENT	47.40	RCAT-4J2620	4.500 - GUIDE ELEMENT	17.97
RCAT-7J9885	3.500 - GUIDE ELEMENT	11.34	RCAT-4J3745	4.500 - GUIDE ELEMENT	12.42
RCAT-8T8317	3.530 - GUIDE ELEMENT	0/R	RCAT-4J4605	4.500 - GUIDE ELEMENT	13.02
RCAT-8T8331	3.530 - GUIDE ELEMENT	0/R	RCAT-4T8758	4.500 - GUIDE ELEMENT	29.73
RCAT-8T8318	3.560 - GUIDE ELEMENT	0/R	RCAT-6J4175	4.500 - GUIDE ELEMENT	29.73
RCAT-8T8332	3.560 - GUIDE ELEMENT	0/R	RCAT-1182724	4.530 - GUIDE ELEMENT	21.04
RCAT-5J8019	3.750 - GUIDE ELEMENT	12.50	RCAT-8C4810	4.530 - GUIDE ELEMENT	0/R
RCAT-8J6245	3.750 - GUIDE ELEMENT	12.29	RCAT-8T8327	4.530 - GUIDE ELEMENT	0/R

All manufacturer's names, part numbers and descriptions are used for reference purposes only. We do not imply that any part shown is the product of these manufacturers.

GUIDING ELEMENT - INCH - PISTON APPLICATION

CAT PARTS

Ref.Number	Description	\$	Ref.Number	Description	\$
RCAT-8T8355	4.530 - GUIDE ELEMENT	0/R	RCAT-6J3074	5.750 - GUIDE ELEMENT	51.59
RCAT-8T8328	4.560 - GUIDE ELEMENT	0/R	RCAT-9J4164	5.750 - GUIDE ELEMENT	65.99
RCAT-8T8356	4.560 - GUIDE ELEMENT	0/R	RCAT-1J0708	6.000 - GUIDE ELEMENT	24.42
RCAT-4J3342	4.750 - GUIDE ELEMENT	17.47	RCAT-3G6537	6.000 - GUIDE ELEMENT	28.84
RCAT-4T9248	4.750 - GUIDE ELEMENT	17.47	RCAT-4J7503	6.000 - GUIDE ELEMENT	0/R
RCAT-7J8879	4.750 - GUIDE ELEMENT	26.38	RCAT-4T6930	6.000 - GUIDE ELEMENT	116.95
RCAT-8T8390	4.750 - GUIDE ELEMENT	42.13	RCAT-5J0014	6.000 - GUIDE ELEMENT	22.86
RCAT-1357936	4.770 - GUIDE ELEMENT	27.17	RCAT-7J5326	6.000 - GUIDE ELEMENT	41.22
RCAT-8T8345	4.780 - GUIDE ELEMENT	0/R	RCAT-7J8877	6.000 - GUIDE ELEMENT	7.54
RCAT-8T8346	4.810 - GUIDE ELEMENT	0/R	RCAT-9J5860	6.000 - GUIDE ELEMENT	27.03
RCAT-1357939	4.920 - GUIDE ELEMENT	27.17	RCAT-8C0543	6.030 - GUIDE ELEMENT	0/R
RCAT-4J3420	5.000 - GUIDE ELEMENT	15.38	RCAT-8C4824	6.030 - GUIDE ELEMENT	0/R
RCAT-4J4630	5.000 - GUIDE ELEMENT	14.58	RCAT-8C4826	6.030 - GUIDE ELEMENT	111.56
RCAT-7J1627	5.000 - GUIDE ELEMENT	17.01	RCAT-8T8343	6.030 - GUIDE ELEMENT	45.78
RCAT-8M4226	5.000 - GUIDE ELEMENT	31.69	RCAT-8T8347	6.030 - GUIDE ELEMENT	59.56
RCAT-8C4813	5.030 - GUIDE ELEMENT	0/R	RCAT-8T8349	6.030 - GUIDE ELEMENT	0/R
RCAT-8T8339	5.030 - GUIDE ELEMENT	35.13	RCAT-8C0544	6.060 - GUIDE ELEMENT	0/R
RCAT-8C4812	5.060 - GUIDE ELEMENT	0/R	RCAT-8C4825	6.060 - GUIDE ELEMENT	0/R
RCAT-8T8340	5.060 - GUIDE ELEMENT	0/R	RCAT-8C4827	6.060 - GUIDE ELEMENT	0/R
RCAT-2D0714	5.250 - GUIDE ELEMENT	33.66	RCAT-8T8344	6.060 - GUIDE ELEMENT	0/R
RCAT-4J3887	5.250 - GUIDE ELEMENT	11.60	RCAT-8T8348	6.060 - GUIDE ELEMENT	0/R
RCAT-5U4278	5.500 - GUIDE ELEMENT	4.46	RCAT-8T8350	6.060 - GUIDE ELEMENT	0/R
RCAT-7J8878	5.250 - GUIDE ELEMENT	7.54	RCAT-5J3326	6.250 - GUIDE ELEMENT	25.52
RCAT-9J7978	5.250 - GUIDE ELEMENT	20.56	RCAT-9J5550	6.250 - GUIDE ELEMENT	42.60
RCAT-8T8359	5.280 - GUIDE ELEMENT	0/R	RCAT-8C4828	6.280 - GUIDE ELEMENT	98.43
RCAT-8T8360	5.310 - GUIDE ELEMENT	0/R	RCAT-8T8357	6.280 - GUIDE ELEMENT	92.61
RCAT-3J9026	5.500 - GUIDE ELEMENT	32.22	RCAT-8C4829	6.310 - GUIDE ELEMENT	0/R
RCAT-4J3518	5.500 - GUIDE ELEMENT	45.22	RCAT-8T8358	6.310 - GUIDE ELEMENT	0/R
RCAT-4J4606	5.500 - GUIDE ELEMENT	17.70	RCAT-3J9027	6.500 - GUIDE ELEMENT	21.19
RCAT-7J1731	5.500 - GUIDE ELEMENT	22.08	RCAT-3J9703	6.500 - GUIDE ELEMENT	21.29
RCAT-7J3303	5.500 - GUIDE ELEMENT	40.99	RCAT-4J7532	6.500 - GUIDE ELEMENT	17.91
RCAT-8C9112	5.500 - GUIDE ELEMENT	45.22	RCAT-5J0058	6.500 - GUIDE ELEMENT	23.54
RCAT-8J1690	5.500 - GUIDE ELEMENT	53.09	RCAT-7J1938	6.500 - GUIDE ELEMENT	35.95
RCAT-9J7191	5.500 - GUIDE ELEMENT	50.58	RCAT-7J8880	6.500 - GUIDE ELEMENT	23.10
RCAT-1183955	5.510 - GUIDE ELEMENT	0/R	RCAT-7J8881	6.500 - GUIDE ELEMENT	155.19
RCAT-8C4815	5.530 - GUIDE ELEMENT	0/R	RCAT-8C9111	6.500 - GUIDE ELEMENT	45.90
RCAT-8C4817	5.530 - GUIDE ELEMENT	59.18	RCAT-8J9703	6.500 - GUIDE ELEMENT	0/R
RCAT-8C4818	5.530 - GUIDE ELEMENT	0/R	RCAT-9J0811	6.500 - GUIDE ELEMENT	114.02
RCAT-8C4820	5.530 - GUIDE ELEMENT	0/R	RCAT-9J3055	6.500 - GUIDE ELEMENT	118.28
RCAT-8C4822	5.530 - GUIDE ELEMENT	85.67	RCAT-9J9806	6.500 - GUIDE ELEMENT	42.40
RCAT-8T8315	5.530 - GUIDE ELEMENT	61.84	RCAT-9T0096	6.500 - GUIDE ELEMENT	21.29
RCAT-8C4814	5.560 - GUIDE ELEMENT	0/R	RCAT-8C0545	6.530 - GUIDE ELEMENT	0/R
RCAT-8C4816	5.560 - GUIDE ELEMENT	0/R	RCAT-8C4830	6.530 - GUIDE ELEMENT	0/R
RCAT-8C4821	5.560 - GUIDE ELEMENT	0/R	RCAT-8C4832	6.530 - GUIDE ELEMENT	0/R
RCAT-8T8316	5.560 - GUIDE ELEMENT	0/R	RCAT-8C4834	6.530 - GUIDE ELEMENT	0/R
RCAT-0990674	5.670 - GUIDE ELEMENT	0/R	RCAT-8C4836	6.530 - GUIDE ELEMENT	0/R
RCAT-0990695	5.670 - GUIDE ELEMENT	0/R	RCAT-8T8353	6.530 - GUIDE ELEMENT	0/R

All manufacturer's names, part numbers and descriptions are used for reference purposes only. We do not imply that any part shown is the product of these manufacturers.

INDUSTRIAL SEAL KITS

MOBILE SEAL KITS

CATERPILLAR

CAT PARTS

GUIDING ELEMENT - INCH - PISTON APPLICATION

INDUSTRIAL
SEAL KITS

MOBILE
SEAL KITS

CATERPILLAR

Ref.Number	Description	\$	Ref.Number	Description	\$
RCAT-9X7553	6.530 - GUIDE ELEMENT	0/R	RCAT-8C4851	7.810 - GUIDE ELEMENT	0/R
RCAT-9X7554	6.530 - GUIDE ELEMENT	0/R	RCAT-8C4853	7.810 - GUIDE ELEMENT	0/R
RCAT-8C0546	6.560 - GUIDE ELEMENT	0/R	RCAT-8T7695	8.000 - GUIDE ELEMENT	104.89
RCAT-8C4831	6.560 - GUIDE ELEMENT	0/R	RCAT-2J0745	8.250 - GUIDE ELEMENT	24.24
RCAT-8C4833	6.560 - GUIDE ELEMENT	0/R	RCAT-3G1315	8.250 - GUIDE ELEMENT	116.57
RCAT-8C4835	6.560 - GUIDE ELEMENT	0/R	RCAT-3G9882	8.250 - GUIDE ELEMENT	105.25
RCAT-8C4837	6.560 - GUIDE ELEMENT	0/R	RCAT-3J7632	8.250 - GUIDE ELEMENT	69.84
RCAT-8T8354	6.560 - GUIDE ELEMENT	0/R	RCAT-1J2100	8.250 - GUIDE ELEMENT	0/R
RCAT-5I8589	6.680 - GUIDE ELEMENT	0/R	RCAT-3J8683	8.250 - GUIDE ELEMENT	42.16
RCAT-7J3302	6.875 - GUIDE ELEMENT	19.64	RCAT-4J7376	8.250 - GUIDE ELEMENT	31.69
RCAT-1261957	6.920 - GUIDE ELEMENT	64.17	RCAT-4T9320	8.250 - GUIDE ELEMENT	146.22
RCAT-3G3470	7.000 - GUIDE ELEMENT	105.96	RCAT-7J3301	8.250 - GUIDE ELEMENT	107.36
RCAT-3G4641	7.000 - GUIDE ELEMENT	141.69	RCAT-7J8887	8.250 - GUIDE ELEMENT	20.98
RCAT-3G5098	7.000 - GUIDE ELEMENT	42.52	RCAT-8J8375	8.250 - GUIDE ELEMENT	65.32
RCAT-8J1662	7.000 - GUIDE ELEMENT	74.58	RCAT-8J8826	8.250 - GUIDE ELEMENT	86.59
RCAT-8M4228	7.000 - GUIDE ELEMENT	18.96	RCAT-9J3056	8.250 - GUIDE ELEMENT	73.91
RCAT-9J0711	7.000 - GUIDE ELEMENT	44.20	RCAT-8C4856	8.280 - GUIDE ELEMENT	0/R
RCAT-8C4838	7.030 - GUIDE ELEMENT	0/R	RCAT-8C4858	8.280 - GUIDE ELEMENT	0/R
RCAT-8C4840	7.030 - GUIDE ELEMENT	0/R	RCAT-8C4864	8.280 - GUIDE ELEMENT	0/R
RCAT-8T8363	7.030 - GUIDE ELEMENT	132.64	RCAT-8C4866	8.280 - GUIDE ELEMENT	0/R
RCAT-8C4839	7.060 - GUIDE ELEMENT	0/R	RCAT-8T8323	8.280 - GUIDE ELEMENT	76.42
RCAT-8T8364	7.060 - GUIDE ELEMENT	104.02	RCAT-8T8333	8.280 - GUIDE ELEMENT	93.89
RCAT-1J2674	7.250 - GUIDE ELEMENT	46.64	RCAT-8C4857	8.310 - GUIDE ELEMENT	0/R
RCAT-1U1734	7.250 - GUIDE ELEMENT	127.98	RCAT-8C4859	8.310 - GUIDE ELEMENT	0/R
RCAT-3J7848	7.250 - GUIDE ELEMENT	45.85	RCAT-8C4867	8.310 - GUIDE ELEMENT	0/R
RCAT-8C4846	7.280 - GUIDE ELEMENT	0/R	RCAT-8T8324	8.310 - GUIDE ELEMENT	0/R
RCAT-8T8319	7.280 - GUIDE ELEMENT	0/R	RCAT-8T8334	8.310 - GUIDE ELEMENT	113.92
RCAT-8T8341	7.280 - GUIDE ELEMENT	0/R	RCAT-6J9365	8.500 - GUIDE ELEMENT	74.57
RCAT-8T8320	7.310 - GUIDE ELEMENT	0/R	RCAT-7J8064	8.500 - GUIDE ELEMENT	94.46
RCAT-8T8342	7.310 - GUIDE ELEMENT	0/R	RCAT-8T7694	8.500 - GUIDE ELEMENT	107.80
RCAT-1U2218	7.500 - GUIDE ELEMENT	36.70	RCAT-8C4868	8.530 - GUIDE ELEMENT	120.99
RCAT-8J9936	7.500 - GUIDE ELEMENT	67.94	RCAT-8C4869	8.560 - GUIDE ELEMENT	112.71
RCAT-9J5562	7.500 - GUIDE ELEMENT	64.89	RCAT-1080120	9.000 - GUIDE ELEMENT	0/R
RCAT-8C0549	7.530 - GUIDE ELEMENT	0/R	RCAT-2067002	9.076 - GUIDE ELEMENT	129.00
RCAT-8C4848	7.530 - GUIDE ELEMENT	114.98	RCAT-1J5281	9.250 - GUIDE ELEMENT	38.64
RCAT-8C0550	7.560 - GUIDE ELEMENT	0/R	RCAT-4T5949	9.250 - GUIDE ELEMENT	68.01
RCAT-8C4849	7.560 - GUIDE ELEMENT	0/R	RCAT-7J2087	9.250 - GUIDE ELEMENT	107.45
RCAT-3G4625	7.750 - GUIDE ELEMENT	219.46	RCAT-8C0551	9.280 - GUIDE ELEMENT	126.17
RCAT-4T6932	7.750 - GUIDE ELEMENT	219.46	RCAT-8T8321	9.280 - GUIDE ELEMENT	0/R
RCAT-7J8886	7.750 - GUIDE ELEMENT	9.43	RCAT-8C0552	9.310 - GUIDE ELEMENT	120.54
RCAT-7J9247	7.750 - GUIDE ELEMENT	111.85	RCAT-8T8322	9.310 - GUIDE ELEMENT	0/R
RCAT-9J3624	7.750 - GUIDE ELEMENT	49.31	RCAT-4T6097	9.500 - GUIDE ELEMENT	146.83
RCAT-9J5037	7.750 - GUIDE ELEMENT	97.22	RCAT-7J8883	9.500 - GUIDE ELEMENT	0/R
RCAT-1082880	7.780 - GUIDE ELEMENT	0/R	RCAT-7J8884	9.500 - GUIDE ELEMENT	242.65
RCAT-8C4850	7.780 - GUIDE ELEMENT	0/R	RCAT-8J9932	9.500 - GUIDE ELEMENT	74.70
RCAT-8C4852	7.780 - GUIDE ELEMENT	0/R	RCAT-1178865	10.000 - GUIDE ELEMENT	29.15
RCAT-8C4854	7.780 - GUIDE ELEMENT	191.15	RCAT-1214175	10.000 - GUIDE ELEMENT	73.60

All manufacturer's names, part numbers and descriptions are used for reference purposes only. We do not imply that any part shown is the product of these manufacturers.

GUIDING ELEMENT - INCH - PISTON APPLICATION

CAT PARTS

Ref.Number	Description	\$	Ref.Number	Description	\$
RCAT-8C3843	10.000 - GUIDE ELEMENT	110.02	RCAT-9J2991	11.500 - GUIDE ELEMENT	94.02
RCAT-9J3369	10.000 - GUIDE ELEMENT	85.31	RCAT-8C4882	11.530 - GUIDE ELEMENT	258.67
RCAT-1293701	10.030 - GUIDE ELEMENT	89.48	RCAT-8C4883	11.560 - GUIDE ELEMENT	0/R
RCAT-8C4874	10.030 - GUIDE ELEMENT	274.70	RCAT-1503409	12.000 - GUIDE ELEMENT	428.40
RCAT-8C4875	10.060 - GUIDE ELEMENT	0/R	RCAT-9X7331	12.000 - GUIDE ELEMENT	0/R
RCAT-7J8890	10.250 - GUIDE ELEMENT	22.09	RCAT-4T6096	12.250 - GUIDE ELEMENT	150.44
RCAT-7J8891	10.250 - GUIDE ELEMENT	167.39	RCAT-1U2694	12.500 - GUIDE ELEMENT	165.18
RCAT-8C4876	10.280 - GUIDE ELEMENT	0/R	RCAT-6E0308	12.500 - GUIDE ELEMENT	0/R
RCAT-8C4877	10.310 - GUIDE ELEMENT	0/R	RCAT-1293705	12.530 - GUIDE ELEMENT	128.27
RCAT-7J1065	10.500 - GUIDE ELEMENT	197.22	RCAT-1530119	12.750 - GUIDE ELEMENT	188.45
RCAT-8J5980	10.500 - GUIDE ELEMENT	128.51	RCAT-1086215	13.000 - GUIDE ELEMENT	151.23
RCAT-8J8900	10.500 - GUIDE ELEMENT	85.65	RCAT-1293704	13.030 - GUIDE ELEMENT	0/R
RCAT-9J1159	10.500 - GUIDE ELEMENT	144.75	RCAT-1U4627	13.125 - GUIDE ELEMENT	605.91
RCAT-8C4878	10.530 - GUIDE ELEMENT	131.56	RCAT-4T8019	13.125 - GUIDE ELEMENT	909.76
RCAT-8C4880	10.530 - GUIDE ELEMENT	0/R	RCAT-8C9155	13.125 - GUIDE ELEMENT	0/R
RCAT-8C4879	10.560 - GUIDE ELEMENT	0/R	RCAT-1214188	13.500 - GUIDE ELEMENT	101.57
RCAT-8C4881	10.560 - GUIDE ELEMENT	0/R	RCAT-1301859	13.530 - GUIDE ELEMENT	0/R
RCAT-8T6637	10.750 - GUIDE ELEMENT	1334.47	RCAT-6E0247	13.750 - GUIDE ELEMENT	207.90
RCAT-1080124	11.000 - GUIDE ELEMENT	140.74	RCAT-4T4129	14.250 - GUIDE ELEMENT	217.06
RCAT-6E0249	11.000 - GUIDE ELEMENT	79.11	RCAT-1503411	14.750 - GUIDE ELEMENT	769.00
RCAT-1293702	11.030 - GUIDE ELEMENT	193.69	RCAT-4T4825	15.125 - GUIDE ELEMENT	996.69
RCAT-1293703	11.030 - GUIDE ELEMENT	0/R	RCAT-9X3564	16.125 - GUIDE ELEMENT	506.80
RCAT-4T4815	11.500 - GUIDE ELEMENT	103.38	RCAT-1518411	16.750 - GUIDE ELEMENT	803.92
			RCAT-1490811	18.375 - GUIDE ELEMENT	1219.68

GUIDING ELEMENT - METRIC - PISTON APPLICATION

CAT PARTS

RCAT-7Y4652	55.00 - GUIDE ELEMENT	0/R	RCAT-1438035	120.00 - GUIDE ELEMENT	18.10
RCAT-2U0831	55.00 - GUIDE ELEMENT	0/R	RCAT-1438028	120.00 - GUIDE ELEMENT	31.23
RCAT-1182727	70.00 - GUIDE ELEMENT	0/R	RCAT-0931604	120.00 - GUIDE ELEMENT	22.17
RCAT-1182717	70.00 - GUIDE ELEMENT	0/R	RCAT-0875505	120.00 - GUIDE ELEMENT	26.55
RCAT-1257007	80.00 - GUIDE ELEMENT	0/R	RCAT-1082888	120.76 - GUIDE ELEMENT	20.76
RCAT-1057252	80.00 - GUIDE ELEMENT	28.26	RCAT-1233153	120.76 - GUIDE ELEMENT	0/R
RCAT-0997002	80.00 - GUIDE ELEMENT	35.34	RCAT-1082885	120.76 - GUIDE ELEMENT	52.62
RCAT-1052630	90.00 - GUIDE ELEMENT	21.27	RCAT-7Y4632	130.00 - GUIDE ELEMENT	24.58
RCAT-0996976	90.00 - GUIDE ELEMENT	44.35	RCAT-1184019	130.00 - GUIDE ELEMENT	51.67
RCAT-0931628	100.00 - GUIDE ELEMENT	35.73	RCAT-1082890	130.76 - GUIDE ELEMENT	0/R
RCAT-0931605	100.00 - GUIDE ELEMENT	8.14	RCAT-1082884	130.76 - GUIDE ELEMENT	56.82
RCAT-1333096	100.76 - GUIDE ELEMENT	0/R	RCAT-0961800	140.00 - GUIDE ELEMENT	25.36
RCAT-1333097	100.76 - GUIDE ELEMENT	0/R	RCAT-1076264	140.00 - GUIDE ELEMENT	25.36
RCAT-0931629	110.00 - GUIDE ELEMENT	39.02	RCAT-0875429	140.00 - GUIDE ELEMENT	43.79
RCAT-0931603	110.00 - GUIDE ELEMENT	21.15	RCAT-1076263	140.00 - GUIDE ELEMENT	19.73
RCAT-1333100	110.76 - GUIDE ELEMENT	0/R	RCAT-1333104	140.76 - GUIDE ELEMENT	0/R
RCAT-1333101	110.76 - GUIDE ELEMENT	0/R	RCAT-1356988	140.76 - GUIDE ELEMENT	0/R
RCAT-0931630	120.00 - GUIDE ELEMENT	20.43	RCAT-1333105	140.76 - GUIDE ELEMENT	0/R

All manufacturer's names, part numbers and descriptions are used for reference purposes only. We do not imply that any part shown is the product of these manufacturers.

INDUSTRIAL SEAL KITS

MOBILE SEAL KITS

CATERPILLAR

CAT PARTS

GUIDING ELEMENT - METRIC - PISTON APPLICATION

Ref.Number	Description	\$	Ref.Number	Description	\$
RCAT-0961581	150.00 - GUIDE ELEMENT	51.86	RCAT-1052653	180.00 - GUIDE ELEMENT	92.81
RCAT-7Y4697	150.00 - GUIDE ELEMENT	52.42	RCAT-0965167	180.00 - GUIDE ELEMENT	65.55
RCAT-1163589	150.00 - GUIDE ELEMENT	56.20	RCAT-1333117	180.76 - GUIDE ELEMENT	74.95
RCAT-1082889	150.76 - GUIDE ELEMENT	0/R	RCAT-1333116	180.76 - GUIDE ELEMENT	0/R
RCAT-1082886	150.76 - GUIDE ELEMENT	81.62	RCAT-0857248	200.00 - GUIDE ELEMENT	0/R
RCAT-0963201	160.00 - GUIDE ELEMENT	69.03	RCAT-9X3570	200.00 - GUIDE ELEMENT	68.17
RCAT-0875539	160.00 - GUIDE ELEMENT	55.90	RCAT-1334884	200.76 - GUIDE ELEMENT	0/R
RCAT-1333108	160.76 - GUIDE ELEMENT	0/R	RCAT-1334885	200.76 - GUIDE ELEMENT	0/R
RCAT-1333109	160.76 - GUIDE ELEMENT	0/R	RCAT-1251204	220.00 - GUIDE ELEMENT	0/R
RCAT-1057262	170.00 - GUIDE ELEMENT	82.02	RCAT-4I6443	220.00 - GUIDE ELEMENT	38.58
RCAT-0965609	170.00 - GUIDE ELEMENT	0/R	RCAT-6E0496	220.00 - GUIDE ELEMENT	68.17
RCAT-1333113	170.76 - GUIDE ELEMENT	101.12			
RCAT-1333112	170.76 - GUIDE ELEMENT	53.30			

INDUSTRIAL
SEAL KITS

MOBILE
SEAL KITS



All manufacturer's names, part numbers and descriptions are used for reference purposes only. We do not imply that any part shown is the product of these manufacturers.

CATERPILLAR

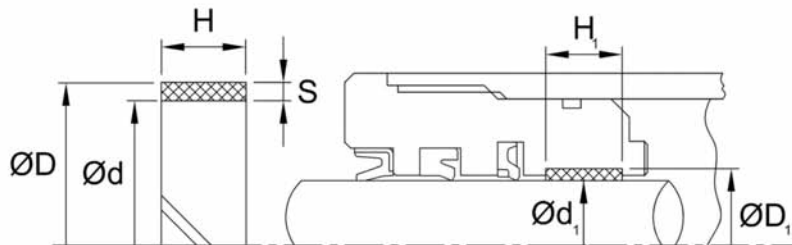
GUIDING ELEMENT - INCH - ROD APPLICATION

CAT PARTS

WR
Nylon



ROD APPLICATION



Temperature: -40/250F [-40/121C]

Pressure: N/A

Ref.Number	Description	\$	Ref.Number	Description	\$
RCAT-4T6780	1.500 - GUIDE ELEMENT	7.64	RCAT-8T7584	3.000 - GUIDE ELEMENT	32.06
RCAT-8C3853	1.500 - GUIDE ELEMENT	30.93	RCAT-9T0094	3.000 - GUIDE ELEMENT	56.64
RCAT-8C9120	1.500 - GUIDE ELEMENT	8.95	RCAT-8C9153	3.000 - GUIDE ELEMENT	42.97
RCAT-8T5443	1.500 - GUIDE ELEMENT	16.08	RCAT-8C9101	3.250 - GUIDE ELEMENT	34.40
RCAT-4T6907	1.750 - GUIDE ELEMENT	18.81	RCAT-8T0777	3.250 - GUIDE ELEMENT	57.09
RCAT-4T6779	1.875 - GUIDE ELEMENT	25.09	RCAT-8T4813	3.250 - GUIDE ELEMENT	41.58
RCAT-8T6441	1.875 - GUIDE ELEMENT	16.83	RCAT-8T6744	3.250 - GUIDE ELEMENT	67.98
RCAT-8T6442	1.875 - GUIDE ELEMENT	19.08	RCAT-8T6745	3.250 - GUIDE ELEMENT	47.05
RCAT-4T5613	2.000 - GUIDE ELEMENT	5.11	RCAT-8T3329	3.500 - GUIDE ELEMENT	46.22
RCAT-8C3836	2.000 - GUIDE ELEMENT	32.07	RCAT-8C5245	3.500 - GUIDE ELEMENT	38.50
RCAT-8T7030	2.000 - GUIDE ELEMENT	24.02	RCAT-8C3829	3.500 - GUIDE ELEMENT	76.08
RCAT-8T8205	2.000 - GUIDE ELEMENT	29.26	RCAT-8T6746	3.500 - GUIDE ELEMENT	53.33
RCAT-7J2171	2.000 - GUIDE ELEMENT	O/R	RCAT-8T3000	3.500 - GUIDE ELEMENT	O/R
RCAT-4T6128	2.125 - GUIDE ELEMENT	21.98	RCAT-6J3075	3.500 - GUIDE ELEMENT	33.67
RCAT-8T6681	2.125 - GUIDE ELEMENT	39.26	RCAT-1194761	3.500 - GUIDE ELEMENT	31.92
RCAT-8T6682	2.125 - GUIDE ELEMENT	39.85	RCAT-8T7848	3.750 - GUIDE ELEMENT	63.18
RCAT-8T4958	2.250 - GUIDE ELEMENT	28.30	RCAT-8T3330	3.750 - GUIDE ELEMENT	78.07
RCAT-8T8204	2.250 - GUIDE ELEMENT	25.29	RCAT-8T6747	4.000 - GUIDE ELEMENT	54.47
RCAT-8J1585	2.250 - GUIDE ELEMENT	O/R	RCAT-8T7538	4.000 - GUIDE ELEMENT	64.69
RCAT-9X7260	2.375 - GUIDE ELEMENT	13.83	RCAT-4T4753	4.000 - GUIDE ELEMENT	22.56
RCAT-8T0785	2.500 - GUIDE ELEMENT	27.47	RCAT-7J3300	4.000 - GUIDE ELEMENT	43.70
RCAT-8T5668	2.500 - GUIDE ELEMENT	31.47	RCAT-1194760	4.000 - GUIDE ELEMENT	10.64
RCAT-8T8394	2.500 - GUIDE ELEMENT	40.19	RCAT-8T6748	4.250 - GUIDE ELEMENT	60.87
RCAT-8T8365	2.500 - GUIDE ELEMENT	60.32	RCAT-9X3579	4.500 - GUIDE ELEMENT	O/R
RCAT-6H6269	2.625 - GUIDE ELEMENT	11.90	RCAT-4T6929	4.500 - GUIDE ELEMENT	51.16
RCAT-8T7372	2.625 - GUIDE ELEMENT	11.40	RCAT-9J9792	4.500 - GUIDE ELEMENT	51.16
RCAT-6C2385	2.750 - GUIDE ELEMENT	28.59	RCAT-8T7850	4.750 - GUIDE ELEMENT	76.78
RCAT-8C9114	2.750 - GUIDE ELEMENT	34.06	RCAT-8T3331	5.000 - GUIDE ELEMENT	76.08
RCAT-8C9200	2.750 - GUIDE ELEMENT	34.06	RCAT-9J3054	5.000 - GUIDE ELEMENT	65.57
RCAT-8T7020	2.750 - GUIDE ELEMENT	25.88	RCAT-4T5718	5.250 - GUIDE ELEMENT	77.23
RCAT-8T7849	2.750 - GUIDE ELEMENT	39.80	RCAT-8J9917	5.500 - GUIDE ELEMENT	70.66
RCAT-8T6743	2.750 - GUIDE ELEMENT	50.67	RCAT-9X7420	5.500 - GUIDE ELEMENT	30.50
RCAT-4T7283	2.750 - GUIDE ELEMENT	18.43	RCAT-8T3332	5.750 - GUIDE ELEMENT	115.18
RCAT-8C9161	3.000 - GUIDE ELEMENT	12.12	RCAT-8T7851	5.750 - GUIDE ELEMENT	73.61
RCAT-8T1714	3.000 - GUIDE ELEMENT	62.78	RCAT-8J1714	5.750 - GUIDE ELEMENT	88.15

All manufacturer's names, part numbers and descriptions are used for reference purposes only. We do not imply that any part shown is the product of these manufacturers.

INDUSTRIAL SEAL KITS

MOBILE SEAL KITS

CATERPILLAR

CAT PARTS

GUIDING ELEMENT - INCH - ROD APPLICATION

Ref.Number	Description	\$	Ref.Number	Description	\$
RCAT-6E0499	5.910 - GUIDE ELEMENT	0/R	RCAT-9X7330	8.250 - GUIDE ELEMENT	0/R
RCAT-9X3613	6.000 - GUIDE ELEMENT	0/R	RCAT-1086216	8.750 - GUIDE ELEMENT	103.96
RCAT-4T9319	6.000 - GUIDE ELEMENT	118.28	RCAT-6E0248	8.750 - GUIDE ELEMENT	132.68
RCAT-7J3299	6.125 - GUIDE ELEMENT	92.96	RCAT-1074349	9.000 - GUIDE ELEMENT	642.61
RCAT-7J9232	6.250 - GUIDE ELEMENT	58.40	RCAT-8C3846	9.000 - GUIDE ELEMENT	1223.04
RCAT-8C3848	6.500 - GUIDE ELEMENT	0/R	RCAT-1503413	9.750 - GUIDE ELEMENT	364.54
RCAT-8C9102	6.500 - GUIDE ELEMENT	121.61	RCAT-8C9156	11.000 - GUIDE ELEMENT	0/R
RCAT-4T6931	6.750 - GUIDE ELEMENT	141.69	RCAT-1U4626	11.000 - GUIDE ELEMENT	688.36
RCAT-8T6749	7.000 - GUIDE ELEMENT	102.99	RCAT-8T1130	12.500 - GUIDE ELEMENT	310.20
RCAT-8T7693	7.000 - GUIDE ELEMENT	218.79	RCAT-4T4827	12.500 - GUIDE ELEMENT	713.68
RCAT-8T7692	7.000 - GUIDE ELEMENT	474.23	RCAT-1944420	12.500 - GUIDE ELEMENT	410.14
RCAT-1074347	7.000 - GUIDE ELEMENT	474.23	RCAT-9X7439	13.500 - GUIDE ELEMENT	536.69
RCAT-6E0173	7.250 - GUIDE ELEMENT	0/R	RCAT-9X3563	13.500 - GUIDE ELEMENT	1414.12
RCAT-4T4811	7.250 - GUIDE ELEMENT	172.31	RCAT-1490812	15.750 - GUIDE ELEMENT	889.34
RCAT-1080130	7.500 - GUIDE ELEMENT	77.13	RCAT-1490813	15.750 - GUIDE ELEMENT	1653.22
RCAT-1214703	7.750 - GUIDE ELEMENT	279.69			
RCAT-6E0245	8.000 - GUIDE ELEMENT	144.89			

INDUSTRIAL
SEAL KITS

MOBILE
SEAL KITS

CATERPILLAR

All manufacturer's names, part numbers and descriptions are used for reference purposes only. We do not imply that any part shown is the product of these manufacturers.

CUSHION SEAL - METRIC - ROD APPLICATION

CAT PARTS

Ref.Number	Description	\$
RCAT-1261879	38.00 - CUSHION SEAL	22.48
RCAT-0855864	41.00 - CUSHION SEAL	15.80
RCAT-1948356	46.00 - CUSHION SEAL	16.28
RCAT-1057265	55.00 - CUSHION SEAL	12.35
RCAT-6I6922	59.00 - CUSHION SEAL	12.39
RCAT-1211997	60.00 - CUSHION SEAL	16.31
RCAT-6I6910	63.00 - CUSHION SEAL	13.43
RCAT-1859050	64.48 - CUSHION SEAL	22.92
RCAT-6I6786	68.85 - CUSHION SEAL	24.98
RCAT-1859051	69.05 - CUSHION SEAL	14.96
RCAT-6I6921	70.00 - CUSHION SEAL	27.79
RCAT-1038341	71.50 - CUSHION SEAL	13.97
RCAT-7I1352	74.00 - CUSHION SEAL	25.20
RCAT-6I6921	74.00 - CUSHION SEAL	27.79
RCAT-0990689	75.00 - CUSHION SEAL	15.39
RCAT-6I6784	79.00 - CUSHION SEAL	25.45
RCAT-2478789	79.00 - CUSHION SEAL	31.52
RCAT-1261935	80.00 - CUSHION SEAL	27.27
RCAT-6I6787	83.70 - CUSHION SEAL	24.32
RCAT-1261870	85.00 - CUSHION SEAL	25.20
RCAT-7Y4665	88.85 - CUSHION SEAL	17.31
RCAT-1076260	90.00 - CUSHION SEAL	40.43
RCAT-2478829	90.00 - CUSHION SEAL	32.68
RCAT-6I6785	93.50 - CUSHION SEAL	29.32
RCAT-0998282	95.00 - CUSHION SEAL	23.39
RCAT-1261876	95.00 - CUSHION SEAL	18.64
RCAT-1948359	100.00 - CUSHION SEAL	18.60
RCAT-1913128	104.00 - CUSHION SEAL	25.82
RCAT-1559187	105.80 - CUSHION SEAL	22.76
RCAT-0875389	108.50 - CUSHION SEAL	30.08
RCAT-2316843	109.00 - CUSHION SEAL	29.14
RCAT-6I6790	116.00 - CUSHION SEAL	26.42
RCAT-2003620	121.00 - CUSHION SEAL	30.08
RCAT-1163519	125.50 - CUSHION SEAL	21.56
RCAT-1559096	132.00 - CUSHION SEAL	23.03

Cushion Seal - Snubber Ring Nylon



INDUSTRIAL
SEAL KITS

MOBILE
SEAL KITS

CATERPILLAR

All manufacturer's names, part numbers and descriptions are used for reference purposes only. We do not imply that any part shown is the product of these manufacturers.

CAT PARTS

ORING LISTING

Ref.Number	\$	Ref.Number	\$	Ref.Number	\$
RCAT-0032770	2.80	RCAT-0951508	0.07	RCAT-0951561	5.52
RCAT-0038137	0.11	RCAT-0951509	0.07	RCAT-0951562	5.55
RCAT-0041963	0.32	RCAT-0951510	0.07	RCAT-0951563	5.71
RCAT-0041964	0.42	RCAT-0951511	0.09	RCAT-0951564	5.81
RCAT-0058592	0.18	RCAT-0951512	0.09	RCAT-0951565	10.98
RCAT-0058593	0.28	RCAT-0951513	0.09	RCAT-0951566	11.26
RCAT-0068350	3.33	RCAT-0951514	0.09	RCAT-0951567	12.64
RCAT-0068352	0.71	RCAT-0951515	0.07	RCAT-0951568	21.65
RCAT-0082103	0.19	RCAT-0951516	0.42	RCAT-0951569	22.78
RCAT-0092061	1.27	RCAT-0951517	0.09	RCAT-0951571	0.07
RCAT-0304605	0.10	RCAT-0951518	0.59	RCAT-0951572	0.09
RCAT-0304606	0.71	RCAT-0951519	0.09	RCAT-0951573	0.09
RCAT-0314392	1.62	RCAT-0951521	0.74	RCAT-0951574	0.19
RCAT-0329714	0.52	RCAT-0951522	0.10	RCAT-0951575	0.20
RCAT-0329882	0.26	RCAT-0951524	0.11	RCAT-0951576	0.20
RCAT-0335853	0.75	RCAT-0951525	0.89	RCAT-0951577	0.31
RCAT-0336027	1.28	RCAT-0951526	0.95	RCAT-0951578	0.20
RCAT-0336031	2.29	RCAT-0951527	0.27	RCAT-0951579	0.32
RCAT-0336032	0.34	RCAT-0951528	0.34	RCAT-0951580	0.32
RCAT-0336033	0.21	RCAT-0951530	0.36	RCAT-0951581	0.43
RCAT-0336034	0.50	RCAT-0951531	0.36	RCAT-0951583	0.44
RCAT-0336038	2.14	RCAT-0951532	0.37	RCAT-0951584	0.44
RCAT-0336039	0.67	RCAT-0951533	0.37	RCAT-0951585	0.45
RCAT-0336041	1.31	RCAT-0951534	0.46	RCAT-0951587	0.59
RCAT-0336042	0.80	RCAT-0951536	1.82	RCAT-0951589	0.36
RCAT-0336044	0.27	RCAT-0951537	0.49	RCAT-0951590	0.60
RCAT-0350273	4.46	RCAT-0951538	0.49	RCAT-0951591	0.44
RCAT-0617538	0.19	RCAT-0951539	2.14	RCAT-0951592	0.58
RCAT-0617539	0.63	RCAT-0951540	2.14	RCAT-0951593	0.58
RCAT-0617540	1.21	RCAT-0951541	0.52	RCAT-0951594	0.75
RCAT-0618341	2.91	RCAT-0951543	0.67	RCAT-0951595	0.75
RCAT-0618561	3.14	RCAT-0951544	0.67	RCAT-0951597	0.95
RCAT-0618639	0.34	RCAT-0951545	0.69	RCAT-0951598	0.98
RCAT-0619455	1.53	RCAT-0951546	1.80	RCAT-0951599	0.99
RCAT-0619456	1.81	RCAT-0951547	0.71	RCAT-0951600	1.04
RCAT-0619457	2.10	RCAT-0951549	2.58	RCAT-0951601	1.04
RCAT-0619458	0.91	RCAT-0951550	3.29	RCAT-0951602	1.05
RCAT-0619729	2.84	RCAT-0951551	3.30	RCAT-0951603	1.11
RCAT-0689002	1.48	RCAT-0951552	3.52	RCAT-0951604	1.13
RCAT-0773241	0.11	RCAT-0951553	3.60	RCAT-0951605	1.14
RCAT-0775843	0.38	RCAT-0951554	3.73	RCAT-0951606	1.19
RCAT-0857537	0.10	RCAT-0951555	3.81	RCAT-0951608	1.29
RCAT-0857538	0.20	RCAT-0951556	3.95	RCAT-0951609	1.31
RCAT-0857539	0.19	RCAT-0951557	4.03	RCAT-0951610	1.66
RCAT-0857540	0.32	RCAT-0951558	5.24	RCAT-0951611	1.71
RCAT-0858219	2.80	RCAT-0951559	5.27	RCAT-0951612	1.88
RCAT-0922304	0.27	RCAT-0951560	5.32	RCAT-0951613	1.72

INDUSTRIAL
SEAL KITS

MOBILE
SEAL KITS

CATERPILLAR

Remsa [KITS]

ORING LISTING

CAT PARTS

Ref.Number	\$	Ref.Number	\$	Ref.Number	\$
RCAT-0951615	1.96	RCAT-0951691	7.64	RCAT-0958859	5.32
RCAT-0951616	2.00	RCAT-0951692	7.75	RCAT-0960034	0.26
RCAT-0951617	2.01	RCAT-0951693	8.92	RCAT-0960035	17.57
RCAT-0951618	2.66	RCAT-0951694	10.43	RCAT-0960037	51.07
RCAT-0951621	3.38	RCAT-0951695	11.10	RCAT-0960071	5.43
RCAT-0951623	3.77	RCAT-0951696	0.31	RCAT-0960121	1.83
RCAT-0951624	3.86	RCAT-0951698	0.42	RCAT-0963944	10.45
RCAT-0951625	3.81	RCAT-0951700	0.53	RCAT-0964921	4.40
RCAT-0951626	3.95	RCAT-0951704	1.21	RCAT-0965382	5.66
RCAT-0951627	4.03	RCAT-0951705	1.26	RCAT-0965572	1.12
RCAT-0951628	5.43	RCAT-0951706	1.44	RCAT-0966100	0.22
RCAT-0951629	5.48	RCAT-0951707	1.43	RCAT-0967041	5.14
RCAT-0951630	5.55	RCAT-0951708	1.45	RCAT-0990187	0.26
RCAT-0951631	5.43	RCAT-0951709	5.60	RCAT-0994780	0.74
RCAT-0951632	5.66	RCAT-0951710	1.36	RCAT-0994846	21.45
RCAT-0951633	5.78	RCAT-0951711	1.81	RCAT-0998232	0.19
RCAT-0951634	5.89	RCAT-0951712	1.83	RCAT-1038254	0.71
RCAT-0951635	6.92	RCAT-0951713	5.66	RCAT-1038255	1.50
RCAT-0951636	13.00	RCAT-0951714	2.04	RCAT-1073114	9.91
RCAT-0951637	14.58	RCAT-0951715	2.09	RCAT-1073117	1.14
RCAT-0951639	16.22	RCAT-0951716	6.82	RCAT-1074057	0.42
RCAT-0951640	16.90	RCAT-0951717	2.07	RCAT-1076259	2.15
RCAT-0951641	17.34	RCAT-0951718	2.15	RCAT-1077642	0.44
RCAT-0951642	33.10	RCAT-0951719	7.38	RCAT-1085803	0.71
RCAT-0951657	0.27	RCAT-0951720	2.40	RCAT-1085806	3.92
RCAT-0951658	0.36	RCAT-0951721	8.20	RCAT-1092332	3.63
RCAT-0951659	0.48	RCAT-0951722	5.01	RCAT-1092333	0.57
RCAT-0951662	2.44	RCAT-0951723	2.88	RCAT-1093203	1.02
RCAT-0951663	0.78	RCAT-0951724	6.14	RCAT-1093205	2.12
RCAT-0951671	5.66	RCAT-0951725	7.31	RCAT-1093206	0.76
RCAT-0951673	1.60	RCAT-0951726	7.61	RCAT-1095694	16.57
RCAT-0951674	6.82	RCAT-0951727	9.22	RCAT-1095698	1.21
RCAT-0951675	2.07	RCAT-0951728	9.31	RCAT-1095700	1.62
RCAT-0951676	2.15	RCAT-0951729	9.48	RCAT-1095702	5.97
RCAT-0951678	7.38	RCAT-0951730	10.58	RCAT-1095704	2.16
RCAT-0951679	8.20	RCAT-0951731	10.81	RCAT-1097411	14.46
RCAT-0951680	8.46	RCAT-0951732	14.09	RCAT-1097412	0.42
RCAT-0951681	2.66	RCAT-0951733	16.70	RCAT-1099685	0.70
RCAT-0951682	4.34	RCAT-0951734	19.84	RCAT-1117052	2.14
RCAT-0951683	4.37	RCAT-0951735	20.56	RCAT-1120033	0.05
RCAT-0951684	4.49	RCAT-0951736	24.06	RCAT-1120034	0.09
RCAT-0951685	11.37	RCAT-0951737	25.49	RCAT-1123102	0.34
RCAT-0951686	6.18	RCAT-0951738	26.99	RCAT-1123540	1.79
RCAT-0951687	6.23	RCAT-0951739	33.79	RCAT-1126920	8.35
RCAT-0951688	6.30	RCAT-0951750	0.08	RCAT-1132073	17.78
RCAT-0951689	7.35	RCAT-0951751	0.10	RCAT-1135304	3.27
RCAT-0951690	7.49	RCAT-0951753	0.50	RCAT-1137820	0.56

INDUSTRIAL SEAL KITS

MOBILE SEAL KITS

CATERPILLAR

CAT PARTS

ORING LISTING

Ref.Number	\$	Ref.Number	\$	Ref.Number	\$
RCAT-1137822	1.22	RCAT-1345691	2.98	RCAT-1757896	0.54
RCAT-1149275	1.48	RCAT-1356950	15.85	RCAT-1757897	0.56
RCAT-1163682	0.98	RCAT-1357935	1.43	RCAT-1757898	0.63
RCAT-1171266	0.86	RCAT-1362942	11.03	RCAT-1757900	0.66
RCAT-1171495	0.52	RCAT-1367227	1.03	RCAT-1757902	0.90
RCAT-1177273	0.42	RCAT-1374350	30.44	RCAT-1757903	1.54
RCAT-1177282	2.06	RCAT-1376667	0.76	RCAT-1757904	1.13
RCAT-1178801	3.51	RCAT-1400226	7.37	RCAT-1757905	1.18
RCAT-1178803	0.81	RCAT-1400240	3.15	RCAT-1761378	4.76
RCAT-1182720	1.39	RCAT-1407663	7.21	RCAT-1776911	18.35
RCAT-1183122	1.34	RCAT-1410749	3.12	RCAT-1799013	1.27
RCAT-1183125	3.41	RCAT-1411774	2.38	RCAT-1802391	8.35
RCAT-1183128	1.99	RCAT-1434637	2.59	RCAT-1808424	0.86
RCAT-1183131	1.12	RCAT-1447338	1.24	RCAT-1808722	0.23
RCAT-1197843	0.46	RCAT-1490231	0.70	RCAT-1871979	0.83
RCAT-1197844	0.63	RCAT-1492695	16.01	RCAT-1878567	0.91
RCAT-1197845	2.31	RCAT-1507732	5.85	RCAT-1882199	1.67
RCAT-1199443	0.47	RCAT-1522939	1.28	RCAT-1903010	2.06
RCAT-1217687	0.48	RCAT-1531157	2.68	RCAT-1903011	1.46
RCAT-1218094	1.39	RCAT-1534906	0.80	RCAT-1931736	8.86
RCAT-1218112	0.09	RCAT-1534907	0.67	RCAT-1949584	3.14
RCAT-1218117	0.61	RCAT-1548741	10.59	RCAT-1H0474	0.96
RCAT-1228352	0.10	RCAT-1565198	10.34	RCAT-1H1023	0.06
RCAT-1229251	1.90	RCAT-1598802	29.96	RCAT-1H5728	0.45
RCAT-1232341	0.07	RCAT-1614102	2.96	RCAT-1H6227	0.71
RCAT-1232342	0.19	RCAT-1616149	0.08	RCAT-1H7339	0.54
RCAT-1232343	0.76	RCAT-1618068	5.53	RCAT-1H8128	0.64
RCAT-1241858	1.81	RCAT-1618069	5.89	RCAT-1H8171	0.11
RCAT-1241859	2.91	RCAT-1629997	2.77	RCAT-1H8278	2.38
RCAT-1249346	0.18	RCAT-1654852	14.24	RCAT-1H8720	0.42
RCAT-1251372	0.52	RCAT-1654854	0.91	RCAT-1H9696	0.49
RCAT-1254194	3.15	RCAT-1658066	1.45	RCAT-1J2176	2.44
RCAT-1259701	1.37	RCAT-1659448	0.99	RCAT-1J2859	1.18
RCAT-1259794	4.16	RCAT-1697442	3.51	RCAT-1J2890	3.69
RCAT-1264002	5.39	RCAT-1704821	7.41	RCAT-1J9671	0.16
RCAT-1264003	3.74	RCAT-1704823	12.08	RCAT-1M0556	3.31
RCAT-1266514	2.72	RCAT-1704824	23.47	RCAT-1M1077	0.11
RCAT-1266515	2.72	RCAT-1704825	7.54	RCAT-1M3548	2.95
RCAT-1266516	2.74	RCAT-1705715	5.32	RCAT-1M9015	3.69
RCAT-1291653	5.45	RCAT-1705941	11.01	RCAT-1R5318	0.27
RCAT-1300229	4.73	RCAT-1707098	5.39	RCAT-1S7408	1.18
RCAT-1313715	0.54	RCAT-1707106	14.81	RCAT-1S8947	0.09
RCAT-1313716	1.73	RCAT-1738277	1.23	RCAT-1T0132	2.96
RCAT-1313718	3.13	RCAT-1753135	0.34	RCAT-1U3174	3.27
RCAT-1323056	5.27	RCAT-1755077	10.77	RCAT-2332597	0.70
RCAT-1324240	1.37	RCAT-1757894	0.42	RCAT-2332601	0.99
RCAT-1334771	0.24	RCAT-1757895	0.48	RCAT-2332603	1.38

INDUSTRIAL
SEAL KITS

MOBILE
SEAL KITS

CATERPILLAR

Remsa [KITS]

ORING LISTING

CAT PARTS

Ref.Number	\$	Ref.Number	\$	Ref.Number	\$
RCAT-2639891	0.08	RCAT-2S4078	0.37	RCAT-3H2652	0.54
RCAT-2667959	5.78	RCAT-2S8439	1.43	RCAT-3H3385	0.09
RCAT-2667960	7.21	RCAT-2T2691	0.60	RCAT-3H4970	0.17
RCAT-2667961	7.61	RCAT-2T2692	0.52	RCAT-3J0634	2.20
RCAT-2667962	10.58	RCAT-2T2695	1.88	RCAT-3J1907	0.16
RCAT-2667966	2.15	RCAT-2U5338	0.09	RCAT-3J7354	0.16
RCAT-2667967	2.38	RCAT-2U5341	1.37	RCAT-3J9015	0.21
RCAT-2667968	2.81	RCAT-2U5343	1.60	RCAT-3K0360	0.18
RCAT-2667969	2.88	RCAT-2Y2271	0.07	RCAT-3K0715	0.77
RCAT-2668026	2.40	RCAT-2Y2272	0.10	RCAT-3K4025	0.44
RCAT-2742500	2.15	RCAT-2Y2347	0.20	RCAT-3P0439	0.59
RCAT-2742501	5.66	RCAT-328970	0.26	RCAT-3P0648	1.93
RCAT-2A3676	3.51	RCAT-3A9280	2.44	RCAT-3P0649	3.63
RCAT-2D0598	0.25	RCAT-3B8453	0.20	RCAT-3P0650	3.27
RCAT-2D1692	2.67	RCAT-3C5546	1.05	RCAT-3P0651	4.10
RCAT-2D6533	3.85	RCAT-3D2824	0.50	RCAT-3P0653	4.73
RCAT-2D8009	1.43	RCAT-3D2898	0.26	RCAT-3P0654	6.32
RCAT-2D8363	11.88	RCAT-3D2992	0.11	RCAT-3P0655	5.07
RCAT-2D8364	8.91	RCAT-3D4245	0.10	RCAT-3P0656	4.48
RCAT-2D9572	2.96	RCAT-3D7805	0.32	RCAT-3P0657	4.27
RCAT-2H2665	0.64	RCAT-3D8241	11.90	RCAT-3P0658	21.47
RCAT-2H3927	0.29	RCAT-3E4296	0.83	RCAT-3P1155	0.81
RCAT-2H3928	0.80	RCAT-3E4297	8.61	RCAT-3S1223	1.96
RCAT-2H3931	0.59	RCAT-3E4298	0.18	RCAT-3S6538	0.29
RCAT-2H3932	0.17	RCAT-3E4299	0.50	RCAT-3S9233	0.11
RCAT-2H3933	0.66	RCAT-3E6703	1.25	RCAT-3T7528	0.07
RCAT-2H3934	0.66	RCAT-3E6730	0.62	RCAT-4D1577	6.83
RCAT-2H3935	1.25	RCAT-3E6732	0.80	RCAT-4D2297	0.07
RCAT-2H4145	0.63	RCAT-3E6735	0.95	RCAT-4D3107	0.21
RCAT-2H6124	2.50	RCAT-3E6747	0.70	RCAT-4D4503	5.04
RCAT-2H6184	0.56	RCAT-3E6749	1.20	RCAT-4D4508	5.65
RCAT-2H6338	0.59	RCAT-3E6751	12.90	RCAT-4D6695	4.75
RCAT-2H6340	4.63	RCAT-3E6760	0.07	RCAT-4F4097	0.59
RCAT-2H9247	1.18	RCAT-3E6761	0.26	RCAT-4F5607	0.26
RCAT-2J8163	1.03	RCAT-3E6766	3.36	RCAT-4F7387	1.18
RCAT-2K2939	1.96	RCAT-3E6771	0.33	RCAT-4F7388	3.50
RCAT-2K4472	1.77	RCAT-3E6773	3.21	RCAT-4F7389	0.29
RCAT-2K8198	0.17	RCAT-3E6785	3.78	RCAT-4F7390	0.51
RCAT-2K8257	1.54	RCAT-3E6788	0.91	RCAT-4F7391	0.19
RCAT-2M0340	2.73	RCAT-3E6790	0.93	RCAT-4F7507	1.93
RCAT-2M1309	5.17	RCAT-3E6799	3.33	RCAT-4F7952	0.23
RCAT-2M3340	7.13	RCAT-3F1547	2.50	RCAT-4F8824	0.38
RCAT-2M4453	0.09	RCAT-3F5792	1.18	RCAT-4F8946	0.17
RCAT-2M9780	0.19	RCAT-3G1209	0.07	RCAT-4F9029	0.19
RCAT-2N3350	1.67	RCAT-3H0107	0.11	RCAT-4F9653	0.42
RCAT-2P1692	1.18	RCAT-3H0442	0.03	RCAT-4H6520	2.15
RCAT-2R0039	0.82	RCAT-3H1461	0.20	RCAT-4H6730	10.39

INDUSTRIAL SEAL KITS

MOBILE SEAL KITS

CATERPILLAR

CAT PARTS

ORING LISTING

Ref.Number	\$	Ref.Number	\$	Ref.Number	\$
RCAT-4H9105	0.90	RCAT-5E8769	1.94	RCAT-5P0840	0.48
RCAT-4J0519	0.27	RCAT-5E8770	1.79	RCAT-5P0908	0.44
RCAT-4J0520	0.29	RCAT-5E9816	0.69	RCAT-5P1480	4.27
RCAT-4J0521	0.31	RCAT-5F0149	1.03	RCAT-5P1979	1.77
RCAT-4J0522	0.35	RCAT-5F1678	0.16	RCAT-5P2235	3.69
RCAT-4J0523	0.43	RCAT-5F3092	0.77	RCAT-5P2236	6.32
RCAT-4J0524	0.45	RCAT-5F3106	1.13	RCAT-5P2545	3.56
RCAT-4J0525	0.46	RCAT-5F3144	1.06	RCAT-5P2568	0.25
RCAT-4J0526	0.52	RCAT-5F3999	1.13	RCAT-5P2569	0.75
RCAT-4J0527	0.54	RCAT-5F6222	3.08	RCAT-5P2931	0.56
RCAT-4J0528	0.56	RCAT-5F7054	0.10	RCAT-5P3108	0.15
RCAT-4J0537	0.54	RCAT-5F8000	0.35	RCAT-5P3620	2.08
RCAT-4J1253	7.13	RCAT-5F9144	0.06	RCAT-5P3863	0.56
RCAT-4J4577	0.07	RCAT-5F9657	0.21	RCAT-5P3864	1.60
RCAT-4J5140	0.19	RCAT-5H2767	0.11	RCAT-5P3881	0.59
RCAT-4J5267	0.20	RCAT-5H2824	3.36	RCAT-5P3944	0.11
RCAT-4J5268	0.10	RCAT-5H3252	1.48	RCAT-5P4268	1.10
RCAT-4J5351	0.10	RCAT-5H4909	2.96	RCAT-5P4326	1.37
RCAT-4J5477	0.07	RCAT-5H5672	1.31	RCAT-5P4342	4.46
RCAT-4J5573	0.41	RCAT-5H6005	0.07	RCAT-5P4889	2.56
RCAT-4J5733	0.11	RCAT-5H6733	1.83	RCAT-5P4892	2.00
RCAT-4J7533	0.11	RCAT-5H6734	1.00	RCAT-5P4933	0.08
RCAT-4J8996	0.20	RCAT-5H7370	0.26	RCAT-5P5397	1.83
RCAT-4J8997	0.23	RCAT-5H8038	0.20	RCAT-5P5598	0.52
RCAT-4J8998	0.31	RCAT-5H8624	1.06	RCAT-5P5600	0.42
RCAT-4K1388	0.26	RCAT-5H8848	0.48	RCAT-5P5601	0.47
RCAT-4K2039	0.06	RCAT-5H9524	1.90	RCAT-5P5756	6.34
RCAT-4K4986	0.19	RCAT-5J2383	3.56	RCAT-5P5757	1.37
RCAT-4K6804	2.73	RCAT-5J2974	0.10	RCAT-5P5846	2.60
RCAT-4L7711	0.25	RCAT-5J3886	1.31	RCAT-5P5874	0.08
RCAT-4L9564	0.90	RCAT-5K0216	0.33	RCAT-5P6300	0.15
RCAT-4M0189	0.77	RCAT-5K0227	0.31	RCAT-5P6302	0.95
RCAT-4M0661	5.35	RCAT-5K1787	2.50	RCAT-5P6718	0.58
RCAT-4M0737	5.65	RCAT-5K5221	0.20	RCAT-5P7530	0.63
RCAT-4N1230	3.08	RCAT-5K5959	0.45	RCAT-5P7593	3.02
RCAT-4S5879	5.83	RCAT-5K6526	0.24	RCAT-5P7701	2.28
RCAT-4S7762	5.50	RCAT-5K9090	0.18	RCAT-5P7818	6.70
RCAT-4T4128	7.13	RCAT-5L2727	0.29	RCAT-5P8065	0.76
RCAT-5D1071	7.13	RCAT-5L4758	0.07	RCAT-5P8068	2.46
RCAT-5D1597	1.17	RCAT-5L4759	0.10	RCAT-5P8118	0.86
RCAT-5D5957	3.63	RCAT-5L5032	2.38	RCAT-5P8210	0.98
RCAT-5D5959	15.21	RCAT-5M2057	0.19	RCAT-5P8211	1.72
RCAT-5D6428	12.16	RCAT-5M5860	0.26	RCAT-5P8215	0.21
RCAT-5D6539	0.17	RCAT-5M6200	8.32	RCAT-5P8286	4.73
RCAT-5D6543	0.17	RCAT-5M6509	0.42	RCAT-5P8428	6.47
RCAT-5E8767	0.72	RCAT-5M7142	2.50	RCAT-5P8429	18.61
RCAT-5E8768	0.85	RCAT-5M7423	0.26	RCAT-5P8861	15.18

INDUSTRIAL
SEAL KITS

MOBILE
SEAL KITS

CATERPILLAR

Remsa [KITS]

ORING LISTING

CAT PARTS

Ref.Number	\$	Ref.Number	\$	Ref.Number	\$
RCAT-5P8862	14.60	RCAT-6V1320	2.12	RCAT-6V5143	0.86
RCAT-5P8872	8.00	RCAT-6V1902	6.85	RCAT-6V5167	13.46
RCAT-5P8883	0.91	RCAT-6V1934	3.57	RCAT-6V5266	1.14
RCAT-5P8940	8.56	RCAT-6V3251	0.81	RCAT-6V5375	20.52
RCAT-5P9217	7.13	RCAT-6V3263	5.35	RCAT-6V5393	0.23
RCAT-5P9658	0.53	RCAT-6V3319	6.17	RCAT-6V5553	6.06
RCAT-5P9757	0.24	RCAT-6V3348	1.71	RCAT-6V5556	0.18
RCAT-5P9890	1.79	RCAT-6V3349	17.86	RCAT-6V5586	0.07
RCAT-5P9939	0.35	RCAT-6V3551	10.57	RCAT-6V5656	6.03
RCAT-5S0982	3.62	RCAT-6V3684	11.12	RCAT-6V5657	2.08
RCAT-5S3676	2.96	RCAT-6V3685	0.19	RCAT-6V5722	0.07
RCAT-5S6760	12.10	RCAT-6V3830	2.29	RCAT-6V5758	0.76
RCAT-5S9134	7.06	RCAT-6V3831	3.55	RCAT-6V5759	0.47
RCAT-5W9413	0.98	RCAT-6V3832	1.20	RCAT-6V5862	7.13
RCAT-6D7128	0.63	RCAT-6V3833	5.64	RCAT-6V6228	0.58
RCAT-6D7146	2.48	RCAT-6V3834	2.17	RCAT-6V6339	2.66
RCAT-6D7889	1.33	RCAT-6V3835	10.85	RCAT-6V6353	3.42
RCAT-6D9157	1.96	RCAT-6V3865	1.43	RCAT-6V6580	0.15
RCAT-6F0671	2.28	RCAT-6V3907	7.55	RCAT-6V6638	33.97
RCAT-6F0711	0.26	RCAT-6V3908	7.22	RCAT-6V6707	0.82
RCAT-6F4718	1.77	RCAT-6V3922	0.11	RCAT-6V6756	1.72
RCAT-6F4855	0.07	RCAT-6V3955	1.60	RCAT-6V7350	3.03
RCAT-6F5559	0.07	RCAT-6V3967	32.72	RCAT-6V7351	5.03
RCAT-6F6673	0.19	RCAT-6V3968	15.85	RCAT-6V7610	1.39
RCAT-6F8146	0.59	RCAT-6V4297	13.96	RCAT-6V7681	6.28
RCAT-6H3977	0.51	RCAT-6V4314	8.97	RCAT-6V7701	21.87
RCAT-6H4162	3.08	RCAT-6V4315	6.83	RCAT-6V8001	2.91
RCAT-6H5672	0.21	RCAT-6V4366	0.43	RCAT-6V8002	3.03
RCAT-6H9691	0.03	RCAT-6V4367	0.74	RCAT-6V8218	0.20
RCAT-6J1038	0.18	RCAT-6V4430	1.82	RCAT-6V8260	4.27
RCAT-6J2245	0.40	RCAT-6V4480	1.82	RCAT-6V8350	0.82
RCAT-6J2419	0.20	RCAT-6V4589	1.03	RCAT-6V8397	0.07
RCAT-6J2680	0.69	RCAT-6V5049	0.57	RCAT-6V8398	0.08
RCAT-6J5541	2.21	RCAT-6V5050	1.68	RCAT-6V8399	0.11
RCAT-6K6307	0.54	RCAT-6V5051	5.35	RCAT-6V8400	0.20
RCAT-6K9149	3.57	RCAT-6V5052	7.55	RCAT-6V8467	1.57
RCAT-6M5062	0.06	RCAT-6V5053	3.84	RCAT-6V8676	1.01
RCAT-6R0365	0.87	RCAT-6V5054	10.47	RCAT-6V8958	6.56
RCAT-6V0357	0.24	RCAT-6V5055	13.34	RCAT-6V8978	0.20
RCAT-6V0894	0.16	RCAT-6V5057	28.50	RCAT-6V9746	0.11
RCAT-6V0895	0.32	RCAT-6V5060	36.55	RCAT-7D1195	3.10
RCAT-6V0913	0.10	RCAT-6V5095	17.50	RCAT-7D7111	7.77
RCAT-6V0973	6.47	RCAT-6V5101	7.58	RCAT-7D9014	2.57
RCAT-6V1175	7.13	RCAT-6V5102	15.96	RCAT-7E4846	0.19
RCAT-6V1195	5.12	RCAT-6V5103	12.36	RCAT-7E4847	0.23
RCAT-6V1196	2.79	RCAT-6V5134	1.95	RCAT-7F2122	0.71
RCAT-6V1197	3.38	RCAT-6V5142	0.69	RCAT-7F8267	0.29

INDUSTRIAL SEAL KITS

MOBILE SEAL KITS

CATERPILLAR

CAT PARTS

ORING LISTING

Ref.Number	\$	Ref.Number	\$	Ref.Number	\$
RCAT-7F8268	0.35	RCAT-8C3088	0.18	RCAT-8T0116	0.09
RCAT-7H2444	0.80	RCAT-8C3089	1.99	RCAT-8T0135	0.24
RCAT-7H9959	2.83	RCAT-8C3093	0.76	RCAT-8T0315	0.24
RCAT-7J0204	0.11	RCAT-8C3095	0.19	RCAT-8T2148	1.60
RCAT-7J2036	0.38	RCAT-8C3097	0.42	RCAT-8T2360	2.56
RCAT-7J6285	1.09	RCAT-8C3098	0.10	RCAT-8T2361	2.59
RCAT-7J8956	2.15	RCAT-8C3101	2.05	RCAT-8T2944	3.82
RCAT-7J9108	0.10	RCAT-8C3102	2.05	RCAT-8T3013	17.21
RCAT-7L4090	1.18	RCAT-8C3103	8.20	RCAT-8T3338	4.83
RCAT-7L4774	1.28	RCAT-8C3107	2.86	RCAT-8T4811	7.13
RCAT-7L9061	0.42	RCAT-8C3131	0.44	RCAT-8T4827	0.20
RCAT-7M8485	0.29	RCAT-8C3828	32.50	RCAT-8T5049	1.12
RCAT-7R8872	0.48	RCAT-8C5197	1.64	RCAT-8T5376	1.36
RCAT-7S4001	0.69	RCAT-8C5230	2.68	RCAT-8T5452	0.67
RCAT-7S8554	5.35	RCAT-8F4469	1.67	RCAT-8T6346	1.90
RCAT-7S8561	7.42	RCAT-8F4994	0.21	RCAT-8T6404	1.77
RCAT-7U3263	7.49	RCAT-8F5900	2.96	RCAT-8T6444	2.20
RCAT-7U7852	19.87	RCAT-8F6230	2.96	RCAT-8T6447	0.09
RCAT-7X1547	8.22	RCAT-8F6498	4.63	RCAT-8T6716	1.66
RCAT-7X1550	0.23	RCAT-8F6711	0.38	RCAT-8T6717	1.81
RCAT-7X4744	0.67	RCAT-8F7219	0.03	RCAT-8T7269	3.55
RCAT-7X4745	1.10	RCAT-8F8230	2.96	RCAT-8T7568	2.50
RCAT-7X4782	0.59	RCAT-8F8733	1.60	RCAT-8T9522	1.25
RCAT-7X4805	0.47	RCAT-8F8861	4.46	RCAT-8T9527	3.84
RCAT-7X4810	19.04	RCAT-8F8882	0.48	RCAT-8T9529	0.76
RCAT-7X5494	0.71	RCAT-8F9206	0.07	RCAT-8U1958	8.89
RCAT-7X8592	0.86	RCAT-8F9516	1.37	RCAT-8U4125	2.09
RCAT-7X9372	0.70	RCAT-8F9538	0.03	RCAT-8U5927	3.17
RCAT-7Y4277	3.84	RCAT-8F9960	7.37	RCAT-8U5942	0.80
RCAT-7Y4294	4.34	RCAT-8H0273	2.24	RCAT-9C3493	3.84
RCAT-7Y5219	0.10	RCAT-8H2046	0.96	RCAT-9F1399	1.90
RCAT-7Y5269	0.46	RCAT-8H7521	0.63	RCAT-9F4446	0.80
RCAT-7Y5280	0.07	RCAT-8H8257	5.04	RCAT-9F7283	1.18
RCAT-8B4967	0.21	RCAT-8J1665	2.28	RCAT-9H0846	10.39
RCAT-8B7216	0.06	RCAT-8J1688	1.60	RCAT-9H4557	0.21
RCAT-8C0563	0.61	RCAT-8J2413	0.15	RCAT-9J5686	0.58
RCAT-8C0624	0.81	RCAT-8J4351	1.41	RCAT-9J6491	0.10
RCAT-8C3057	1.77	RCAT-8J4386	3.77	RCAT-9M2092	1.06
RCAT-8C3058	4.41	RCAT-8J8343	0.11	RCAT-9M3786	1.83
RCAT-8C3059	11.04	RCAT-8J8725	3.14	RCAT-9M5024	2.50
RCAT-8C3077	5.31	RCAT-8J8879	3.27	RCAT-9M5894	2.77
RCAT-8C3079	1.09	RCAT-8L2777	0.29	RCAT-9S3888	1.48
RCAT-8C3080	0.28	RCAT-8L9241	3.74	RCAT-9S8307	0.52
RCAT-8C3081	0.42	RCAT-8M8997	0.09	RCAT-9T4057	0.18
RCAT-8C3085	0.07	RCAT-8P6357	13.98	RCAT-9W3340	0.32
RCAT-8C3086	0.10	RCAT-8S5011	1.42	RCAT-9X3979	0.67
RCAT-8C3087	0.11	RCAT-8S5953	0.46	RCAT-9X4576	5.14

INDUSTRIAL
SEAL KITS

MOBILE
SEAL KITS

CATERPILLAR

Remsa [KITS]

ORING LISTING

CAT PARTS

Ref.Number	\$
RCAT-9X4611	0.98
RCAT-9X4617	0.87
RCAT-9X4626	0.71
RCAT-9X7286	5.44
RCAT-9X7287	4.02
RCAT-9X7295	6.85
RCAT-9X7357	1.23
RCAT-9X7358	2.12
RCAT-9X7371	4.52
RCAT-9X7375	1.77
RCAT-9X7377	0.78
RCAT-9X7380	0.12
RCAT-9X7383	0.22
RCAT-9X7422	3.51

Ref.Number	\$
RCAT-9X7430	0.71
RCAT-9X7440	2.04
RCAT-9X7442	41.54
RCAT-9X7454	0.11
RCAT-9X7458	1.43
RCAT-9X7557	5.32
RCAT-9X7562	10.09
RCAT-9X7566	1.53
RCAT-9X7676	0.24
RCAT-9X7680	0.63
RCAT-9X7681	0.69
RCAT-9X7684	0.23
RCAT-9X7688	30.89
RCAT-9X7692	0.20

Ref.Number	\$
RCAT-9X7712	2.28
RCAT-9X7725	2.02
RCAT-9X7734	0.42
RCAT-9X7745	0.18
RCAT-Z440101000	4.03
RCAT-Z440101100	5.24
RCAT-Z440201000	5.24
RCAT-Z440201400	5.78
RCAT-Z441001100	6.82
RCAT-Z441101050	2.09
RCAT-Z441101150	2.15
RCAT-Z441101600	7.61

BACK-UPS

CAT PARTS

Ref.Number	\$
RCAT-0306141	2.14
RCAT-0875391	8.37
RCAT-0875397	31.87
RCAT-0875436	6.50
RCAT-0875510	6.25
RCAT-0875550	7.45
RCAT-0931513	4.13
RCAT-0931519	12.69
RCAT-0951783	1.27
RCAT-0951796	3.59
RCAT-0961054	23.68
RCAT-0961055	8.24
RCAT-0961566	6.25
RCAT-0961568	9.94
RCAT-0961588	9.97
RCAT-0962665	11.56
RCAT-0963467	11.82
RCAT-0963964	6.25
RCAT-0990660	5.05
RCAT-0990699	8.11
RCAT-0995399	5.84
RCAT-0996974	4.24
RCAT-0997000	6.00
RCAT-1052578	9.94
RCAT-1052579	6.33
RCAT-1052583	11.21

Ref.Number	\$
RCAT-1057360	6.13
RCAT-1057375	6.25
RCAT-1057393	4.92
RCAT-1076255	11.56
RCAT-1076258	28.63
RCAT-1076262	13.25
RCAT-1079308	8.36
RCAT-1140706	7.53
RCAT-1140711	14.26
RCAT-1211372	11.56
RCAT-1214160	9.56
RCAT-1220440	11.28
RCAT-1238614	13.92
RCAT-1261978	9.03
RCAT-1336716	6.00
RCAT-1373660	27.60
RCAT-1400233	3.08
RCAT-1407652	6.50
RCAT-1475771	22.47
RCAT-1505827	29.14
RCAT-1505842	6.13
RCAT-1540731	9.94
RCAT-1540738	11.56
RCAT-1540751	9.94
RCAT-1559193	20.16
RCAT-1583027	15.83

Ref.Number	\$
RCAT-1583031	4.20
RCAT-1583032	53.06
RCAT-1627209	3.86
RCAT-1663002	11.21
RCAT-1682271	1.68
RCAT-1704746	14.00
RCAT-1704748	25.19
RCAT-1704749	13.28
RCAT-1843478	2.14
RCAT-1890215	3.31
RCAT-1915647	18.72
RCAT-1948355	11.56
RCAT-1948365	11.56
RCAT-1980661	14.02
RCAT-1982640	8.23
RCAT-1982643	7.06
RCAT-1982644	8.36
RCAT-1K7095	2.06
RCAT-1K7098	1.68
RCAT-1S0668	1.16
RCAT-1S0669	1.36
RCAT-1S0670	0.88
RCAT-1U1101	6.17
RCAT-1U1626	5.41
RCAT-1U1738	4.12
RCAT-1U1770	4.63

INDUSTRIAL SEAL KITS

MOBILE SEAL KITS

CATERPILLAR

CAT PARTS

BACK-UPS

Ref.Number	\$	Ref.Number	\$	Ref.Number	\$
RCAT-1U3173	4.46	RCAT-3P1205	0.81	RCAT-6V1555	1.06
RCAT-1U3307	4.63	RCAT-3P1206	1.56	RCAT-6V1556	0.88
RCAT-1U3383	26.40	RCAT-3P1207	1.06	RCAT-6V1557	0.85
RCAT-2151942	1.18	RCAT-4I3615	10.19	RCAT-6V1558	1.06
RCAT-2159864	24.15	RCAT-4I3627	6.70	RCAT-6V1941	0.81
RCAT-2332599	0.95	RCAT-4I3631	13.25	RCAT-6V3299	0.94
RCAT-2344487	6.39	RCAT-4I6330	9.44	RCAT-6V3300	0.94
RCAT-2344581	6.41	RCAT-4I6442	10.37	RCAT-6V3580	11.28
RCAT-2344584	12.22	RCAT-4J1151	6.83	RCAT-6V3838	0.76
RCAT-2376124	5.69	RCAT-4J6557	6.17	RCAT-6V3956	0.76
RCAT-2377078	3.14	RCAT-4J9218	4.36	RCAT-7J4823	4.88
RCAT-2378378	5.78	RCAT-4J9219	1.09	RCAT-7J6287	0.94
RCAT-2443838	1.11	RCAT-4J9220	1.68	RCAT-7J6288	0.85
RCAT-2448826	1.59	RCAT-4J9221	1.84	RCAT-7J8955	4.12
RCAT-2462899	15.55	RCAT-4J9223	4.00	RCAT-7X4757	4.63
RCAT-2508718	4.24	RCAT-4J9224	1.16	RCAT-7X4807	3.69
RCAT-2590654	9.94	RCAT-4J9225	1.06	RCAT-7Y4628	29.14
RCAT-2593174	3.96	RCAT-4K4759	0.76	RCAT-7Y4633	6.11
RCAT-2639883	5.78	RCAT-4T3107	4.64	RCAT-7Y4669	28.40
RCAT-2725643	17.94	RCAT-4T5072	1.62	RCAT-7Y4673	7.06
RCAT-2725680	15.49	RCAT-4T5929	15.35	RCAT-7Y4941	11.56
RCAT-2773386	5.84	RCAT-5J0604	3.52	RCAT-7Y4945	8.23
RCAT-2774933	5.84	RCAT-5J0605	0.94	RCAT-7Y5116	27.66
RCAT-2788633	5.69	RCAT-5J3934	1.32	RCAT-8J0548	4.12
RCAT-2J0744	6.07	RCAT-5J6444	4.39	RCAT-8J1666	4.12
RCAT-2J3961	2.35	RCAT-5J7865	1.68	RCAT-8J1689	2.91
RCAT-2J4066	1.36	RCAT-5K7865	1.68	RCAT-8J1717	3.49
RCAT-2J7767	2.71	RCAT-5P0909	3.08	RCAT-8J2574	1.16
RCAT-2K2940	4.45	RCAT-5P0910	2.14	RCAT-8J3752	2.04
RCAT-2K2961	3.08	RCAT-5P0911	1.28	RCAT-8J4385	4.12
RCAT-2K3258	3.69	RCAT-5P2134	0.94	RCAT-8J8880	6.91
RCAT-2K4096	2.49	RCAT-5P2199	0.85	RCAT-8Q5979	2.91
RCAT-2K4473	4.00	RCAT-5P3235	4.64	RCAT-8T8434	3.40
RCAT-2K6830	1.68	RCAT-5P7857	0.76	RCAT-9J0240	0.76
RCAT-2K8256	3.89	RCAT-5P7858	0.76	RCAT-9J0705	0.71
RCAT-2Y8973	1.09	RCAT-5P8208	0.85	RCAT-9J7861	2.42
RCAT-3C3239	0.94	RCAT-5P8921	2.27	RCAT-9T8761	1.45
RCAT-3E6795	16.64	RCAT-5P9685	0.85	RCAT-9X4596	6.91
RCAT-3G3747	4.12	RCAT-5P9686	0.94	RCAT-9X4615	7.30
RCAT-3J2688	6.65	RCAT-5P9687	0.94	RCAT-9X7273	4.12
RCAT-3J8466	6.50	RCAT-6J1021	0.94	RCAT-9X7278	2.27
RCAT-3J9742	4.96	RCAT-6J1381	1.16	RCAT-9X7279	2.42
RCAT-3K7219	0.81	RCAT-6J2418	0.94	RCAT-A04700414	20.38
RCAT-3K7863	0.76	RCAT-6J2420	1.06	RCAT-A04700712	5.05
RCAT-3K8692	0.81	RCAT-6J5731	1.06		
RCAT-3K8699	0.85	RCAT-6U3042	3.14		
RCAT-3P1204	0.88	RCAT-6U5640	1.63		

INDUSTRIAL
SEAL KITS

MOBILE
SEAL KITS

CATERPILLAR

Remsa [KITS]

O'RING KITS

CATERPILLAR

Ref.Number	Description	Application	\$
RCAT-2701528	SAE STOR FITTINGS,SAE ORFS	32 SIZES / 570 SEALS	252.33
RCAT-2701533	LOW PRESSURE,HIGH TEMP. SIL	32 SIZES / 149 SEALS	402.28
RCAT-2701535	REPLACEMENT CAT FLANGE	9 SIZES / 80 SEALS	149.34
RCAT-2701539	SAE ORFS FITTINGS NBR90	8 SIZES / 120 SEALS	69.95
RCAT-2701545	SAE CODE 61 & 62 FLANGES	6 SIZES / 60 SEALS	46.36
RCAT-2710459	SAE ORFS FITTINGS	8 SIZES / 40 SEALS	72.31
RCAT-2710460	SAE STOR FITTINGS	13 SIZES / 65 SEALS	190.30
RCAT-4C4782	SAE STOR FITTINGS,SAE ORFS	32 SIZES / 570 SEALS	252.33
RCAT-4C8253	LOW PRESSURE,HIGH TEMP. SIL	32 SIZES / 149 SEALS	364.66
RCAT-4C4784	REPLACEMENT CAT FLANGE	9 SIZES / 80 SEALS	135.38
RCAT-8C5859	SAE ORFS FITTINGS NBR90	8 SIZES / 120 SEALS	69.95
RCAT-9S3135	SAE CODE 61 & 62 FLANGES	6 SIZES / 60 SEALS	47.22

RADIAL BEARING

CAT PARTS

Ref.Number	Description	\$	Ref.Number	Description	\$
RCAT-1V8241	4.250 - RADIAL BEARING				

SPHERE BEARING - INCH

CAT PARTS

Ref.Number	Description	\$	Ref.Number	Description	\$
RCAT-6Y9379	4.500 - SPHERICAL BEARING	641.32			
RCAT-6V3249	4.000 - SPHERICAL BEARING	543.55			

SPHERE BEARING - METRIC

CAT PARTS

Ref.Number	Description	\$	Ref.Number	Description	\$
RCAT-6Y9380	140.00 - SPHERICAL BEARING	954.638			

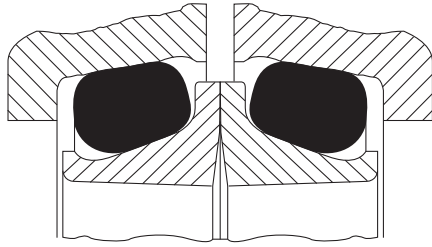
INDUSTRIAL SEAL KITS

MOBILE SEAL KITS

CATERPILLAR

CATERPILLAR

DUO-CONE



Ref.Number	Description	\$
RCAT-1330441	366.00-MECHANICAL FACE SEAL	601.31
RCAT-1456033	430.00-MECHANICAL FACE SEAL	831.89
RCAT-1456035	667.00-MECHANICAL FACE SEAL	1704.52
RCAT-1475507	430.00-MECHANICAL FACE SEAL	773.88
RCAT-1475509	505.00-MECHANICAL FACE SEAL	1133.99
RCAT-1475510	667.00-MECHANICAL FACE SEAL	1704.52
RCAT-1796864	667.00-MECHANICAL FACE SEAL	1704.52
RCAT-1953495	430.00-MECHANICAL FACE SEAL	773.88
RCAT-1C9748	667.00-MECHANICAL FACE SEAL	1687.13
RCAT-1M8746	90.50-MECHANICAL FACE SEAL	43.57
RCAT-1M8747	73.00-MECHANICAL FACE SEAL	36.44
RCAT-1M8748	100.00-MECHANICAL FACE SEAL	47.88
RCAT-1P7249	127.00-MECHANICAL FACE SEAL	49.00
RCAT-2059025	430.00-MECHANICAL FACE SEAL	328.93
RCAT-2M2858	63.50-MECHANICAL FACE SEAL	31.34
RCAT-2P3395	100.00-MECHANICAL FACE SEAL	47.88
RCAT-3144126	430.00-MECHANICAL FACE SEAL	831.89
RCAT-3144130	667.00-MECHANICAL FACE SEAL	1704.52
RCAT-3P1848	100.00-MECHANICAL FACE SEAL	63.83
RCAT-3P1850	318.00-MECHANICAL FACE SEAL	270.29
RCAT-3S0303	127.00-MECHANICAL FACE SEAL	97.61
RCAT-3T6541	182.00-MECHANICAL FACE SEAL	123.92
RCAT-3T6602	505.00-MECHANICAL FACE SEAL	1133.99
RCAT-3T6604	430.00-MECHANICAL FACE SEAL	773.88
RCAT-3T8500	318.00-MECHANICAL FACE SEAL	270.29
RCAT-3T9117	265.00-MECHANICAL FACE SEAL	185.28
RCAT-4C1494	163.00-MECHANICAL FACE SEAL	306.78
RCAT-4C1967	154.00-MECHANICAL FACE SEAL	40.76
RCAT-4C2002	154.00-MECHANICAL FACE SEAL	130.91
RCAT-4D4510	366.00-MECHANICAL FACE SEAL	365.88
RCAT-4D8960	430.00-MECHANICAL FACE SEAL	328.98
RCAT-4K6049	146.00-MECHANICAL FACE SEAL	71.70
RCAT-4S5001	127.00-MECHANICAL FACE SEAL	50.47
RCAT-4S8984	73.00-MECHANICAL FACE SEAL	50.48
RCAT-5K1078	154.00-MECHANICAL FACE SEAL	114.64
RCAT-5K5288	143.00-MECHANICAL FACE SEAL	90.25
RCAT-5K6191	63.50-MECHANICAL FACE SEAL	44.41
RCAT-5M1176	182.00-MECHANICAL FACE SEAL	179.81
RCAT-5M1177	265.00-MECHANICAL FACE SEAL	179.81
RCAT-5M7294	318.00-MECHANICAL FACE SEAL	212.87

Ref.Number	Description	\$
RCAT-5M8647	223.00-MECHANICAL FACE SEAL	118.15
RCAT-5N7639	208.70-MECHANICAL FACE SEAL	151.73
RCAT-5P0373	90.50-MECHANICAL FACE SEAL	51.51
RCAT-5P0374	182.00-MECHANICAL FACE SEAL	119.14
RCAT-5P0375	143.00-MECHANICAL FACE SEAL	103.73
RCAT-5P0376	146.00-MECHANICAL FACE SEAL	103.54
RCAT-5P1605	223.00-MECHANICAL FACE SEAL	156.52
RCAT-5P1607	265.00-MECHANICAL FACE SEAL	185.28
RCAT-5P2498	127.00-MECHANICAL FACE SEAL	88.77
RCAT-5P7143	100.00-MECHANICAL FACE SEAL	141.52
RCAT-5P7146	127.00-MECHANICAL FACE SEAL	101.85
RCAT-5P9121	127.00-MECHANICAL FACE SEAL	95.15
RCAT-6D1190	505.00-MECHANICAL FACE SEAL	751.61
RCAT-6S3285	90.50-MECHANICAL FACE SEAL	35.56
RCAT-6T2815	223.00-MECHANICAL FACE SEAL	156.52
RCAT-6T2981	146.00-MECHANICAL FACE SEAL	103.54
RCAT-6T3377	163.00-MECHANICAL FACE SEAL	112.11
RCAT-6T4316	366.00-MECHANICAL FACE SEAL	612.41
RCAT-6T6802	505.00-MECHANICAL FACE SEAL	807.15
RCAT-6T6803	667.00-MECHANICAL FACE SEAL	1704.52
RCAT-6T8433	366.00-MECHANICAL FACE SEAL	365.88
RCAT-6T8434	318.00-MECHANICAL FACE SEAL	315.65
RCAT-6T8435	223.00-MECHANICAL FACE SEAL	153.50
RCAT-6T8436	163.00-MECHANICAL FACE SEAL	119.29
RCAT-6T8437	265.00-MECHANICAL FACE SEAL	179.81
RCAT-6T8438	182.00-MECHANICAL FACE SEAL	129.25
RCAT-6T8439	182.00-MECHANICAL FACE SEAL	138.97
RCAT-6T8440	146.00-MECHANICAL FACE SEAL	108.57
RCAT-6T9984	146.00-MECHANICAL FACE SEAL	123.48
RCAT-6T9985	163.00-MECHANICAL FACE SEAL	306.78
RCAT-6T9986	182.00-MECHANICAL FACE SEAL	157.22
RCAT-6V2458	430.00-MECHANICAL FACE SEAL	328.98
RCAT-6Y0855	366.00-MECHANICAL FACE SEAL	283.48
RCAT-6Y0856	366.00-MECHANICAL FACE SEAL	283.48
RCAT-6Y0857	318.00-MECHANICAL FACE SEAL	245.88
RCAT-6Y0858	318.00-MECHANICAL FACE SEAL	245.88
RCAT-6Y0859	223.00-MECHANICAL FACE SEAL	167.16
RCAT-6Y0860	223.00-MECHANICAL FACE SEAL	167.16
RCAT-6Y0925	73.00-MECHANICAL FACE SEAL	34.45
RCAT-6Y5218	127.00-MECHANICAL FACE SEAL	88.77
RCAT-6Y5219	127.00-MECHANICAL FACE SEAL	73.34
RCAT-6Y6273	366.00-MECHANICAL FACE SEAL	338.99
RCAT-6Y6274	366.00-MECHANICAL FACE SEAL	338.99
RCAT-6Y6275	318.00-MECHANICAL FACE SEAL	303.29
RCAT-6Y6276	318.00-MECHANICAL FACE SEAL	303.29
RCAT-6Y6277	223.00-MECHANICAL FACE SEAL	205.52
RCAT-6Y6278	223.00-MECHANICAL FACE SEAL	205.52
RCAT-7M0481	163.00-MECHANICAL FACE SEAL	90.92
RCAT-7S1527	127.00-MECHANICAL FACE SEAL	50.24
RCAT-8E8338	73.00-MECHANICAL FACE SEAL	36.44

INDUSTRIAL SEAL KITS

MOBILE SEAL KITS

CATERPILLAR

Remsa [KITS]

DUO-CONE

CATERPILLAR

Ref.Number	Description	\$	Ref.Number	Description	\$
RCAT-8E8339	146.00-MECHANICAL FACE SEAL	108.57	RCAT-9W6675	146.00-MECHANICAL FACE SEAL	103.54
RCAT-8E8340	63.50-MECHANICAL FACE SEAL	31.34	RCAT-9W6676	146.00-MECHANICAL FACE SEAL	106.27
RCAT-8E8341	90.50-MECHANICAL FACE SEAL	43.57	RCAT-9W6677	163.00-MECHANICAL FACE SEAL	112.11
RCAT-8E8342	100.00-MECHANICAL FACE SEAL	47.88	RCAT-9W6680	182.00-MECHANICAL FACE SEAL	123.92
RCAT-8L5516	154.00-MECHANICAL FACE SEAL	130.91	RCAT-9W6681	182.00-MECHANICAL FACE SEAL	157.22
RCAT-8L5519	127.00-MECHANICAL FACE SEAL	111.65	RCAT-9W6684	223.00-MECHANICAL FACE SEAL	118.15
RCAT-8P1857	163.00-MECHANICAL FACE SEAL	127.76	RCAT-9W6685	223.00-MECHANICAL FACE SEAL	153.50
RCAT-8S5656	90.50-MECHANICAL FACE SEAL	57.29	RCAT-9W6686	223.00-MECHANICAL FACE SEAL	118.15
RCAT-9G5311	146.00-MECHANICAL FACE SEAL	85.96	RCAT-9W6688	265.00-MECHANICAL FACE SEAL	134.42
RCAT-9G5313	163.00-MECHANICAL FACE SEAL	90.92	RCAT-9W6689	265.00-MECHANICAL FACE SEAL	179.81
RCAT-9G5315	182.00-MECHANICAL FACE SEAL	97.87	RCAT-9W6690	265.00-MECHANICAL FACE SEAL	206.23
RCAT-9G5317	223.00-MECHANICAL FACE SEAL	118.15	RCAT-9W6691	265.00-MECHANICAL FACE SEAL	206.23
RCAT-9G5319	265.00-MECHANICAL FACE SEAL	134.42	RCAT-9W6692	318.00-MECHANICAL FACE SEAL	212.87
RCAT-9G5321	318.00-MECHANICAL FACE SEAL	212.87	RCAT-9W6693	318.00-MECHANICAL FACE SEAL	315.65
RCAT-9G5323	366.00-MECHANICAL FACE SEAL	189.03	RCAT-9W6694	223.00-MECHANICAL FACE SEAL	156.52
RCAT-9G5339	163.00-MECHANICAL FACE SEAL	127.76	RCAT-9W6695	223.00-MECHANICAL FACE SEAL	191.86
RCAT-9G5341	182.00-MECHANICAL FACE SEAL	138.97	RCAT-9W6696	223.00-MECHANICAL FACE SEAL	156.52
RCAT-9G5343	223.00-MECHANICAL FACE SEAL	118.15	RCAT-9W6697	265.00-MECHANICAL FACE SEAL	185.28
RCAT-9G5345	265.00-MECHANICAL FACE SEAL	206.23	RCAT-9W6698	265.00-MECHANICAL FACE SEAL	230.67
RCAT-9G5347	318.00-MECHANICAL FACE SEAL	163.51	RCAT-9W6699	318.00-MECHANICAL FACE SEAL	270.29
RCAT-9W0054	182.00-MECHANICAL FACE SEAL	123.92	RCAT-9W6717	146.00-MECHANICAL FACE SEAL	98.45
RCAT-9W2142	90.50-MECHANICAL FACE SEAL	40.80	RCAT-9W6822	505.00-MECHANICAL FACE SEAL	1072.07
RCAT-9W2201	100.00-MECHANICAL FACE SEAL	45.72	RCAT-9W7200	318.00-MECHANICAL FACE SEAL	373.06
RCAT-9W2627	430.00-MECHANICAL FACE SEAL	517.00	RCAT-9W7201	366.00-MECHANICAL FACE SEAL	189.03
RCAT-9W3732	265.00-MECHANICAL FACE SEAL	206.23	RCAT-9W7202	366.00-MECHANICAL FACE SEAL	365.88
RCAT-9W4650	223.00-MECHANICAL FACE SEAL	191.86	RCAT-9W7203	366.00-MECHANICAL FACE SEAL	612.41
RCAT-9W4651	265.00-MECHANICAL FACE SEAL	230.67	RCAT-9W7204	366.00-MECHANICAL FACE SEAL	189.03
RCAT-9W4652	318.00-MECHANICAL FACE SEAL	373.06	RCAT-9W7205	430.00-MECHANICAL FACE SEAL	773.88
RCAT-9W5224	63.50-MECHANICAL FACE SEAL	31.34	RCAT-9W7206	667.00-MECHANICAL FACE SEAL	1704.52
RCAT-9W5977	223.00-MECHANICAL FACE SEAL	156.52	RCAT-9W7207	90.50-MECHANICAL FACE SEAL	35.56
RCAT-9W6616	182.00-MECHANICAL FACE SEAL	123.92	RCAT-9W7209	127.00-MECHANICAL FACE SEAL	97.61
RCAT-9W6619	366.00-MECHANICAL FACE SEAL	244.54	RCAT-9W7211	154.00-MECHANICAL FACE SEAL	114.64
RCAT-9W6620	366.00-MECHANICAL FACE SEAL	244.54	RCAT-9W7213	90.50-MECHANICAL FACE SEAL	51.51
RCAT-9W6621	366.00-MECHANICAL FACE SEAL	244.54	RCAT-9W7214	127.00-MECHANICAL FACE SEAL	111.65
RCAT-9W6622	430.00-MECHANICAL FACE SEAL	831.89	RCAT-9W7215	154.00-MECHANICAL FACE SEAL	130.91
RCAT-9W6623	430.00-MECHANICAL FACE SEAL	831.89	RCAT-9W7216	63.50-MECHANICAL FACE SEAL	31.34
RCAT-9W6644	505.00-MECHANICAL FACE SEAL	1133.99	RCAT-9W7220	90.50-MECHANICAL FACE SEAL	40.80
RCAT-9W6645	143.00-MECHANICAL FACE SEAL	90.25	RCAT-9W7223	63.50-MECHANICAL FACE SEAL	44.41
RCAT-9W6646	143.00-MECHANICAL FACE SEAL	103.76	RCAT-9W7224	90.50-MECHANICAL FACE SEAL	57.29
RCAT-9W6647	73.00-MECHANICAL FACE SEAL	34.45	RCAT-9W7225	100.00-MECHANICAL FACE SEAL	45.72
RCAT-9W6648	73.00-MECHANICAL FACE SEAL	50.48	RCAT-9W7228	127.00-MECHANICAL FACE SEAL	73.34
RCAT-9W6666	146.00-MECHANICAL FACE SEAL	85.96	RCAT-9W7230	100.00-MECHANICAL FACE SEAL	63.83
RCAT-9W6667	146.00-MECHANICAL FACE SEAL	98.45	RCAT-9W7231	127.00-MECHANICAL FACE SEAL	88.77
RCAT-9W6668	163.00-MECHANICAL FACE SEAL	90.92	RCAT-9W7241	100.00-MECHANICAL FACE SEAL	141.52
RCAT-9W6669	163.00-MECHANICAL FACE SEAL	119.29	RCAT-9W7243	127.00-MECHANICAL FACE SEAL	101.85
RCAT-9W6670	163.00-MECHANICAL FACE SEAL	127.76	RCAT-9W7331	163.00-MECHANICAL FACE SEAL	127.76
RCAT-9W6671	182.00-MECHANICAL FACE SEAL	97.87	RCAT-9W7332	163.00-MECHANICAL FACE SEAL	127.76
RCAT-9W6672	182.00-MECHANICAL FACE SEAL	129.25	RCAT-9W9230	430.00-MECHANICAL FACE SEAL	328.93
RCAT-9W6673	182.00-MECHANICAL FACE SEAL	138.79			
RCAT-9W6674	182.00-MECHANICAL FACE SEAL	138.97			

INDUSTRIAL
SEAL KITS

MOBILE
SEAL KITS

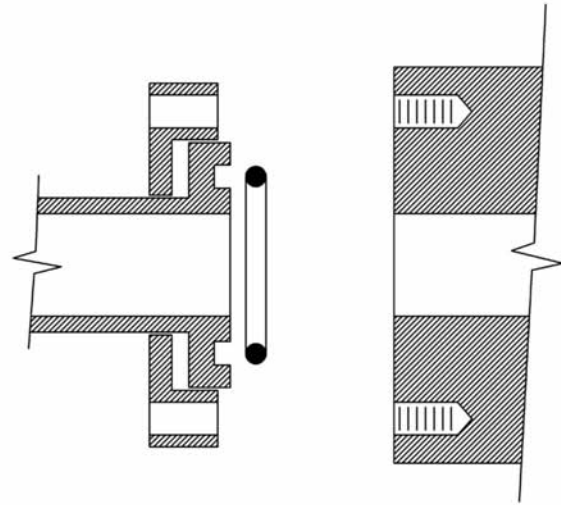
CATERPILLAR

CATERPILLAR

HYDRAULIC HOSE COUPLING SEALS

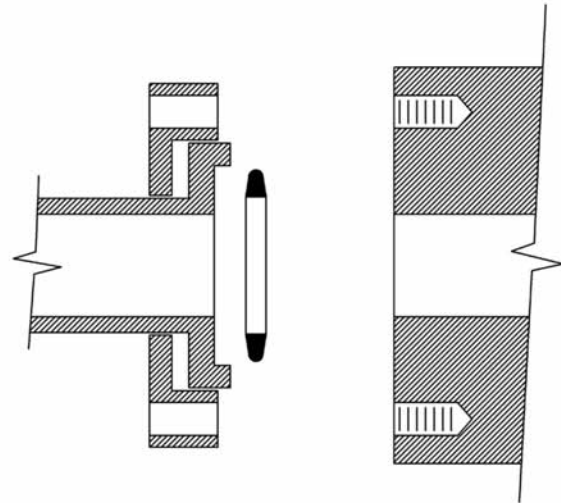
O'RING STYLE

Ref.Number	Nominal Hose Size	\$
RCAT-4J5140	0.500	0.19
RCAT-4J5267	0.750	0.20
RCAT-4J0520	1.000	0.29
RCAT-4J0522	1.250	0.35
RCAT-4J0524	1.500	0.45
RCAT-4J0527	2.000	0.54



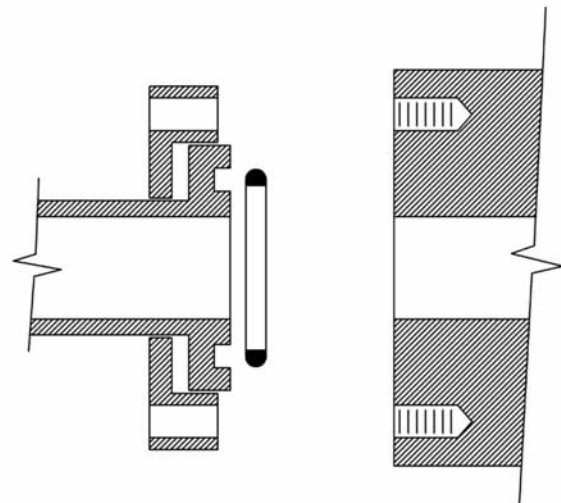
METAL BACK SEALS

Ref.Number	Nominal Hose Size	\$
RCAT-5J1583	0.500	4.04
RCAT-1P3702	0.750	4.18
RCAT-6J3600	1.000	4.72
RCAT-6J3625	1.250	4.72
RCAT-6J3650	1.500	5.05
RCAT-1J3708	2.000	O/R



D-RING STYLE

Ref.Number	Nominal Hose Size	\$
RCAT-1P3700	0.500	1.18
RCAT-1P3702	0.750	1.34
RCAT-1P3703	1.000	1.59
RCAT-1P3704	1.250	1.72
RCAT-1P3705	1.500	1.84
RCAT-1P3706	MISC.	1.97
RCAT-1P3707	MISC.	2.02
RCAT-1P3708	MISC.	2.14
RCAT-1P3709	2.000	2.23



All manufacturer's names, part numbers and descriptions are used for reference purposes only. We do not imply that any part shown is the product of these manufacturers.

INDUSTRIAL
SEAL KITS

MOBILE
SEAL KITS

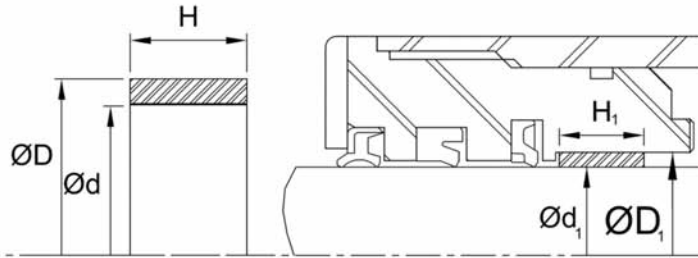
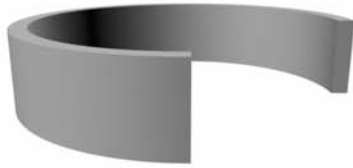
CATERPILLAR

Remsa [KITS]

METAL BEARINGS

CAT PARTS

BEARING BR.PTFE/STEEL



Temperature: -328/536F [-200/280C]

Pressure: 44000 PSI [3035 Bar]

Ref.Number	Description	\$	Ref.Number	Description	\$
RCAT-1140752	55.00 - ROD BEARING	8.05	RCAT-0965625	100.00 - ROD BEARING	41.02
RCAT-1140751	60.00 - ROD BEARING	19.21	RCAT-1140760	105.00 - ROD BEARING	43.75
RCAT-1140753	70.00 - ROD BEARING	22.74	RCAT-0995572	105.00 - ROD BEARING	35.28
RCAT-1140754	65.00 - ROD BEARING	20.37	RCAT-1140762	110.00 - ROD BEARING	65.10
RCAT-1140755	80.00 - ROD BEARING	26.96	RCAT-1140761	110.00 - ROD BEARING	69.56
RCAT-1140750	75.00 - ROD BEARING	24.58	RCAT-1211599	127.00 - ROD BEARING	O/R
RCAT-1505839	80.00 - ROD BEARING	15.74	RCAT-1140763	130.00 - ROD BEARING	43.14
RCAT-1140756	85.00 - ROD BEARING	29.42	RCAT-1289261	140.00 - ROD BEARING	54.17
RCAT-0964402	85.00 - ROD BEARING	27.55	RCAT-1211607	146.00 - ROD BEARING	O/R
RCAT-1052575	90.00 - ROD BEARING	26.57	RCAT-1289262	150.00 - ROD BEARING	54.56
RCAT-1140758	90.00 - ROD BEARING	33.92			
RCAT-1211574	90.00 - ROD BEARING	24.52			
RCAT-1652575	90.00 - ROD BEARING	16.79			
RCAT-1289260	95.00 - ROD BEARING	34.18			
RCAT-0964430	95.00 - ROD BEARING	29.06			
RCAT-1140757	100.00 - ROD BEARING	41.35			

All manufacturer's names, part numbers and descriptions are used for reference purposes only. We do not imply that any part shown is the product of these manufacturers.

INDUSTRIAL
SEAL KITS

MOBILE
SEAL KITS

CATERPILLAR

CAT PARTS

OVERSIZE HEAD SEALS

Ref.Number	Description	\$	Ref.Number	Description	\$
RCAT-8C4889	2.500 - OVERSIZED HEAD SEAL	12.86	RCAT-8T8381	7.250 - OVERSIZED HEAD SEAL	23.02
RCAT-8C4890	2.750 - OVERSIZED HEAD SEAL	13.63	RCAT-8C0553	7.500 - OVERSIZED HEAD SEAL	23.15
RCAT-8T8367	3.000 - OVERSIZED HEAD SEAL	13.89	RCAT-8C4892	7.750 - OVERSIZED HEAD SEAL	30.14
RCAT-8C4891	3.250 - OVERSIZED HEAD SEAL	15.43	RCAT-8T8382	8.250 - OVERSIZED HEAD SEAL	18.94
RCAT-8T8368	3.500 - OVERSIZED HEAD SEAL	15.43	RCAT-8C4893	8.500 - OVERSIZED HEAD SEAL	55.04
RCAT-8T8369	3.750 - OVERSIZED HEAD SEAL	15.95	RCAT-8T8383	9.250 - OVERSIZED HEAD SEAL	28.29
RCAT-8T8370	4.000 - OVERSIZED HEAD SEAL	15.95	RCAT-8C4895	10.000 - OVERSIZED HEAD SEAL	23.92
RCAT-8T8371	4.250 - OVERSIZED HEAD SEAL	16.46	RCAT-8C4896	10.250 - OVERSIZED HEAD SEAL	23.92
RCAT-8T8372	4.500 - OVERSIZED HEAD SEAL	16.72	RCAT-8C4897	10.500 - OVERSIZED HEAD SEAL	24.43
RCAT-8T8373	4.750 - OVERSIZED HEAD SEAL	11.27	RCAT-1095717	11.000 - OVERSIZED HEAD SEAL	32.92
RCAT-8T8374	5.000 - OVERSIZED HEAD SEAL	35.11	RCAT-8C9018	11.250 - OVERSIZED HEAD SEAL	34.91
RCAT-8T8375	5.250 - OVERSIZED HEAD SEAL	17.75	RCAT-8C4898	11.500 - OVERSIZED HEAD SEAL	37.70
RCAT-8T8376	5.500 - OVERSIZED HEAD SEAL	45.44			
RCAT-8T8377	6.000 - OVERSIZED HEAD SEAL	45.05			
RCAT-8T8378	6.250 - OVERSIZED HEAD SEAL	21.86			
RCAT-8T8379	6.500 - OVERSIZED HEAD SEAL	46.37			
RCAT-8T8380	7.000 - OVERSIZED HEAD SEAL	47.83			

INDUSTRIAL
SEAL KITS

MOBILE
SEAL KITS

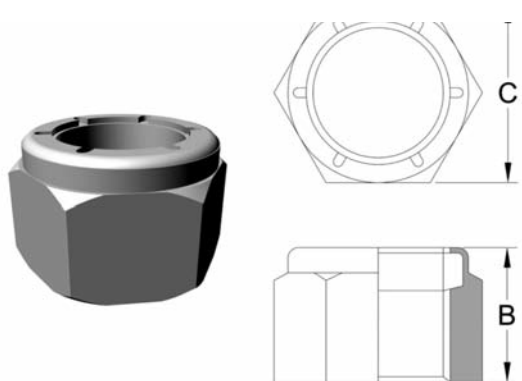


CATERPILLAR

All manufacturer's names, part numbers and descriptions are used for reference purposes only. We do not imply that any part shown is the product of these manufacturers.

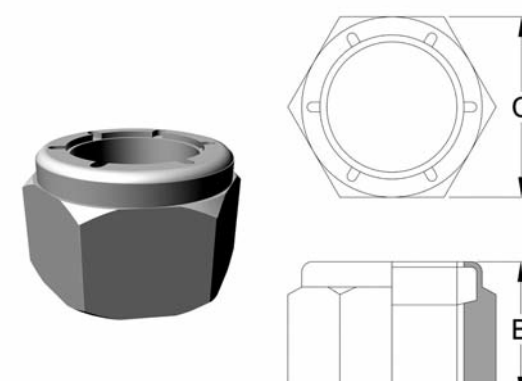
LOCK NUTS - INCH

CAT PARTS

Ref.Number	Thread Size	Dimensions		\$	LOCK NUTS 1- Grade 8/ heat treated 2- Black phosphate Finish 3- Blue nylon locking insert
		C	B		
RCAT-2J6384	1.250 - 12	2.000	1.109	28.47	
RCAT-6M5032	1.375 - 12	2.187	1.188	26.09	
RCAT-2J3950	1.500 - 12	2.375	1.313	31.95	
RCAT-5J5731	1.750 - 12	2.562	1.469	38.15	
RCAT-2J3247	1.750 - 12	2.750	1.469	56.41	
RCAT-2J0564	2.000 - 12	3.125	1.672	81.32	
RCAT-3J9545	2.000 - 12	3.125	2.406	133.12	
RCAT-5J3488	2.250 - 12	3.500	1.938	137.11	
RCAT-3J6899	2.250 - 12	3.500	2.813	186.77	
RCAT-2J7686	2.500 - 12	4.000	2.187	185.35	
RCAT-3J9449	2.500 - 12	4.000	2.641	214.05	
RCAT-4J6888	2.750 - 12	4.000	2.187	150.74	
RCAT-4J8734	2.750 - 12	4.000	3.093	258.70	
RCAT-7J9250	3.250 - 12	4.500	3.125	276.64	
RCAT-9X6017	3.750 - 12	5.250	3.525	665.22	
RCAT-3G5022	4.500 - 12	6.500	4.110	748.40	

LOCK NUTS METRIC

CATERPILLAR REF.

Ref.Number	Thread Size	Dimensions		\$	NYLON INSERT LOCK NUTS 1- Grade 8/ heat-treated 2- Blue nylon locking insert
		C	B		
RCAT-8T5065	M-30-3.5	1.811	1.150	33.65	
RCAT-8T3018	M-36-4	2.165	1.417	51.56	
RCAT-0875504	M-64-2	3.718	2.480	285.96	
RCAT-1475835	M-64-2	3.718	2.480	208.07	
RCAT-7Y4622	M-72-2	4.125	2.755	360.16	
RCAT-1232060	M-80-2	4.500	2.520	244.24	
RCAT-7Y4695	M-80-2	4.500	2.992	344.49	
RCAT-7Y4956	M-90-2	5.087	3.307	412.50	
RCAT-1232112	M-90-2	5.087	2.992	432.29	
RCAT-0875385	M-95-2	5.281	3.464	513.75	
RCAT-1261971	M-100-2	5.735	3.465	985.78	
RCAT-1163513	M-105-2	5.875	3.819	887.03	
RCAT-1163516	M-120-2	6.687	4.252	981.21	

MATERIALS:
X53 Medium carbon steel heat treated RC 26-30, Phos. and Oil

All manufacturer's names, part numbers and descriptions are used for reference purposes only. We do not imply that any part shown is the product of these manufacturers.

INDUSTRIAL SEAL KITS

MOBILE SEAL KITS

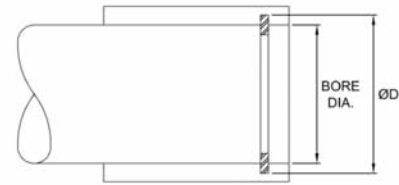
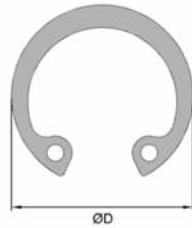
CATERPILLAR

CAT PARTS

RETAINING RING - INCH - INTERNAL

RETAINING RING Carbon Steel

INTERNAL



Temperature: N/A

Pressure: N/A

Ref.Number	Description	\$	Ref.Number	Description	\$
RCAT-3D8358	0.437 - SNAP RING	0.35	RCAT-2D6648	2.312 - SNAP RING	1.57
RCAT-1S1638	0.500 - SNAP RING	0.35	RCAT-6L8797	2.440 - SNAP RING	1.96
RCAT-2R1256	0.562 - SNAP RING	0.39	RCAT-4D1736	2.500 - SNAP RING	2.09
RCAT-1H4142	0.687 - SNAP RING	0.39	RCAT-6K3531	2.750 - SNAP RING	2.57
RCAT-2M8191	0.750 - SNAP RING	0.39	RCAT-2H5549	2.812 - SNAP RING	3.04
RCAT-5S4455	0.812 - SNAP RING	0.39	RCAT-2R1236	3.000 - SNAP RING	3.26
RCAT-2L6726	0.875 - SNAP RING	0.39	RCAT-1K6985	3.156 - SNAP RING	4.79
RCAT-4L1466	0.901 - SNAP RING	0.39	RCAT-8J7636	3.250 - SNAP RING	5.00
RCAT-4D1322	1.000 - SNAP RING	0.43	RCAT-3D8341	3.500 - SNAP RING	5.13
RCAT-5S1522	1.125 - SNAP RING	0.43	RCAT-1J6472	3.543 - SNAP RING	5.22
RCAT-2D6398	1.250 - SNAP RING	0.48	RCAT-9M9935	3.875 - SNAP RING	5.70
RCAT-1L3768	1.375 - SNAP RING	0.52	RCAT-7M2275	4.000 - SNAP RING	6.30
RCAT-2H1142	1.437 - SNAP RING	0.56	RCAT-5L4751	4.331 - SNAP RING	7.30
RCAT-8N7294	1.500 - SNAP RING	0.56	RCAT-0673161	4.750 - SNAP RING	9.26
RCAT-3K9879	1.562 - SNAP RING	0.82	RCAT-2L0043	5.000 - SNAP RING	9.56
RCAT-2R1230	1.653 - SNAP RING	0.65	RCAT-5L4756	6.000 - SNAP RING	26.05
RCAT-2D5826	1.812 - SNAP RING	0.95	RCAT-1L7388	7.000 - SNAP RING	42.17
RCAT-1L8490	1.850 - SNAP RING	0.95	RCAT-7F6021	7.500 - SNAP RING	45.35
RCAT-6J7855	2.062 - SNAP RING	1.40			

All manufacturer's names, part numbers and descriptions are used for reference purposes only. We do not imply that any part shown is the product of these manufacturers.

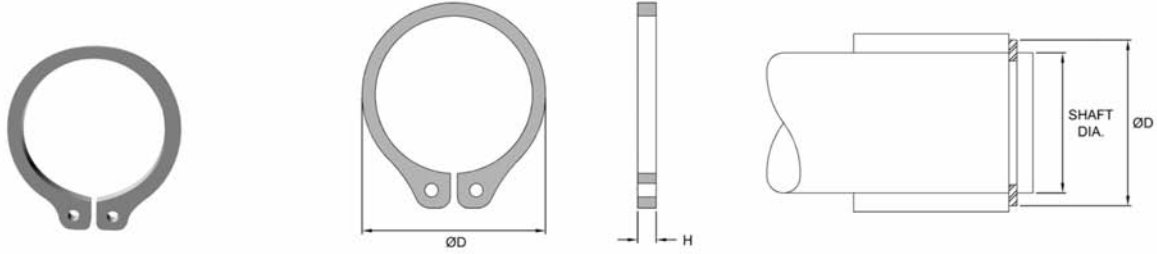
RETAINING RING - INCH - EXTERNAL

CAT PARTS

RETAINING RING

Carbon Steel

EXTERNAL



Temperature: N/A

Pressure: N/A

Ref.Number	Shaft dia.	\$	Ref.Number	Shaft dia.	\$
RCAT-9M7611	0.375 - SNAP RING	0.35	RCAT-5K9106	1.812 - SNAP RING	1.21
RCAT-4H0094	0.437 - SNAP RING	0.35	RCAT-1K6995	1.875 - SNAP RING	1.43
RCAT-6L3801	0.470 - SNAP RING	0.35	RCAT-0779687	1.969 - SNAP RING	1.92
RCAT-3D2975	0.562 - SNAP RING	0.39	RCAT-1K6984	2.125 - SNAP RING	2.96
RCAT-2L8509	0.594 - SNAP RING	0.39	RCAT-4K4284	2.156 - SNAP RING	3.26
RCAT-8F4610	0.625 - SNAP RING	0.39	RCAT-5K4627	2.500 - SNAP RING	3.48
RCAT-2J6356	0.750 - SNAP RING	0.39	RCAT-6S1753	2.559 - SNAP RING	3.56
RCAT-9F5444	0.812 - SNAP RING	0.39	RCAT-1K6992	2.625 - SNAP RING	3.69
RCAT-6H6109	0.937 - SNAP RING	0.43	RCAT-5J3864	2.750 - SNAP RING	3.82
RCAT-1L8497	0.984 - SNAP RING	0.65	RCAT-7J6580	2.937 - SNAP RING	4.13
RCAT-0015600	1.000 - SNAP RING	0.43	RCAT-1N8620	3.156 - SNAP RING	6.00
RCAT-3K8276	1.062 - SNAP RING	0.52	RCAT-9S4368	3.346 - SNAP RING	7.79
RCAT-5L4019	1.125 - SNAP RING	0.56	RCAT-5L4753	3.500 - SNAP RING	9.00
RCAT-4M5285	1.187 - SNAP RING	0.56	RCAT-7J6525	3.625 - SNAP RING	10.27
RCAT-2M4287	1.250 - SNAP RING	0.69	RCAT-8F1959	4.000 - SNAP RING	10.96
RCAT-4D8309	1.312 - SNAP RING	0.74	RCAT-1N5410	4.250 - SNAP RING	14.91
RCAT-1J6474	1.375 - SNAP RING	0.82	RCAT-5H5012	4.375 - SNAP RING	15.82
RCAT-2L6965	1.562 - SNAP RING	0.87	RCAT-2L0049	4.750 - SNAP RING	20.70
RCAT-9L2336	1.625 - SNAP RING	0.95	RCAT-5L8579	5.750 - SNAP RING	23.65
RCAT-5L2931	1.687 - SNAP RING	1.87	RCAT-2L0044	6.250 - SNAP RING	63.91
RCAT-2J7550	1.772 - SNAP RING	1.08			

All manufacturer's names, part numbers and descriptions are used for reference purposes only. We do not imply that any part shown is the product of these manufacturers.

INDUSTRIAL SEAL KITS

MOBILE SEAL KITS

CATERPILLAR

CHAMPION

KITS

Ref. Number	Desc.	Bore	Rod	\$	Ref. Number	Desc.	Bore	Rod	\$
RCHA-26408	SEAL KIT	3.000	1.375	38.31	RCHA-48953	SEAL KIT	4.000	2.000	22.68
RCHA-26409	SEAL KIT	4.000	2.000	55.24	RCHA-54436	SEAL KIT	5.000	2.000	58.97
RCHA-26410	SEAL KIT	5.000	2.000	74.71	RCHA-89132	SEAL KIT	3.000	1.375	29.88
RCHA-26900	SEAL KIT	4.500	1.750	73.88	RCHA-89134	SEAL KIT	4.000	2.000	45.96
RCHA-42975	SEAL KIT	3.000	1.375	18.47	RCHA-89135	SEAL KIT	4.000	2.500	55.66
RCHA-43182	SEAL KIT	4.000	2.000	40.47	RCHA-89137	SEAL KIT	5.000	2.000	72.95
RCHA-48870	SEAL KIT	3.000	1.375	25.84					

CHARLYNN

KITS

Ref. Number	Description	Model	\$
RCLY-6405	MOTOR S.KIT - SERIE 10000	119-XXXX-002;-003;-004 120-XXXX-002;-003;-004 NOTE: THE -002 AND -003 BEARINGLESS MOTORS USE 4 SEALS WHILE THE -004 MOTOR USES 3 SEALS. 121-XXXX-002;-003;-004 NOTE: THIS KIT IS NOT APPLICABLE TO 10000 SERIES TWO SPEED MOTORS.	72.18
RCLY-6406	SHAFT S.KIT - SERIE 10000	119-XXXX-001;-002;-003;-004 120-XXXX-002;-003;-004 NOTE: APPLICABLE TO 10000 SERIES TWO SPEED MOTORS. 121-XXXX-001;-003;-004	53.72
RCLY-60023	S.KIT - NBR - SERIE H	101-XXXX-007	53.72
RCLY-60026	S.KIT - NBR - SERIE A	130-XXXX-001	55.38
RCLY-60036	S.KIT - NBR - SERIE S	103-XXXX-007	42.06
RCLY-60042	S.KIT - NBR - SERIE H	101-XXXX-005	55.68
RCLY-60533	S.KIT - NBR - SERIE S	103-XXXX-006	51.68
RCLY-60539	S.KIT - NBR - SERIE S	103-XXXX-009;-010	63.57
RCLY-60540	S.KIT - NBR - SERIE A	130-XXXX-002;-003	63.57
RCLY-61000	S.KIT - NBR - SERIE H	101-XXXX-008;-009	112.24
RCLY-61104	S.KIT - FPM - SERIE 3000	107-XXXX-004;-005	108.39
RCLY-61105	SHAFT S.KIT - SERIE 6000	112-XXXX-002;-003;-004 113-XXXX-002;-003;-004	39.63
RCLY-61234	REAR MOTOR KIT - SERIE 6000	112-XXXX-002;-003;-004 113-XXXX-002;-003;-004	36.86
RCLY-61236	REAR MOTOR KIT - SERIE 4000	109-XXXX-004	58.07
	SHAFT S.KIT - SERIE 4000	110-XXXX-004 109-XXXX-004 110-XXXX-004	

All manufacturer's names, part numbers and descriptions are used for reference purposes only. We do not imply that any part shown is the product of these manufacturers.

INDUSTRIAL
SEAL KITS

MOBILE
SEAL KITS

CHAMPION - CHARLYNN

Remsa [KITS]

KITS

CHARLYNN

Ref. Number	Description	Model	\$
RCLY-61237	SHAFT S.KIT - SERIE 6000	112-XXXX-005 113-XXXX-005	58.78
RCLY-61238	REAR MOTOR KIT - SERIE 6000	112-XXXX-005 113-XXXX-005	52.88
RCLY-61252	S.KIT - NBR - SERIE 2000	104-XXXX-003;-004;-005 105-XXXX-003;-004;-005	83.59
RCLY-61258	S.KIT - NBR - SERIE 2000	NOTE: NOT FOR 106- BEARINGLESS MOTORS 104-XXXX-006 105-XXXX-006	83.96
RCLY-61259	S.KIT - NBR - SERIE 2000	NOTE: NOT FOR 106- BEARINGLESS MOTORS 106-XXXX-006 NOTE: DOES NOT FIT 106-XXXX-003;-004;-005	40.76
RCLY-64417	STEERING UNIT W/ EXT. SHAFT		32.57
RCLY-64418	STEERING UNIT W/ INT. SHAFT		35.28
RCLY-64468	S.KIT - NBR - SERIE 25	251-XXXX-001 252-XXXX-001 253-XXXX-001	76.59

KITS

CLARK LIFT TRUCK

Ref. Number	Desc./Stage	Bore	Rod	\$	Ref. Number	Desc./Stage	Bore	Rod	\$
RCLA-1717156	SEAL KIT2-1/8V, 3-7/8U, 4-3/4U, 6-1/2U"			172.29	RCLA-1811155	SEAL KIT	3.000	2.500	22.79
RCLA-1795529	SEAL KIT	4.000	1.500	53.11	RCLA-1811157	SEAL KIT	7.000	5.000	153.71
RCLA-1810820	ORING KIT	N/A	N/A	9.28	RCLA-1811158	SEAL KIT	6.000	4.500	116.54
RCLA-1811046	SEAL KIT	3.000	1.250	21.26	RCLA-1811159	SEAL KIT 1-3/4V, 3-1/8V, 3-7/8U, 5-1/4U"			130.49
RCLA-1811107	SEAL KIT	2.250	2.000	23.05	RCLA-1811159E	SEAL KIT 1-3/4V, 3-1/8V, 3-7/8U, 5-1/4U"			147.94
RCLA-1811108	SEAL KIT	2.500	2.250	17.82	RCLA-1811160	SEAL KIT 1-3/4V, 2-5/8V, 3-3/8U, 4-1/2U"			97.64
RCLA-1811120	SEAL KIT1-3/4V, 3-1/8V, 3-7/8U, 5-1/4U"			129.01	RCLA-1811161	SEAL KIT 1-3/4V, 3-1/8V, 3-7/8U, 5-1/4U"			131.49
RCLA-1811122	SEAL KIT2-1/8V, 3-7/8U, 4-3/4U, 6-1/2U"			173.21	RCLA-1811162	SEAL KIT 2-1/8U, 3-1/8U, 4-1/2U"			139.87
RCLA-1811123	SEAL KIT3-1/4V, 4-1/4V, 6-1/2U"			192.11	RCLA-1811163	SEAL KIT 2-1/8V, 3-1/8V, 4-1/2V"			141.07
RCLA-1811124	SEAL KIT 2-1/8V, 3-1/8V"			74.93	RCLA-1811164	SEAL KIT 1-3/4U, 2-5/8U, 3-3/8U, 4-5/8U"			87.20
RCLA-1811125	SEAL KIT2-1/8V, 3-1/8V, 4-1/2V"			137.18	RCLA-1811179	SEAL KIT	4.000	1.500	71.99
RCLA-1811126	SEAL KIT2-3/4V, 3-3/4V, 5-3/4V"			180.58	RCLA-1811180	SEAL KIT	4.000	1.250	66.00
RCLA-1811127	SEAL KIT2-3/4V, 3-3/4V, 5-3/4V"			184.75	RCLA-1811184	SEAL KIT	3.000	1.250	55.08
RCLA-1811129	SEAL KIT	4.000	2.500	37.39	RCLA-1811200	SEAL KIT	6.000	2.000	130.26
RCLA-1811130	SEAL KIT1-3/4V, 2-5/8V, 3-3/4V"			107.87	RCLA-1811204	SEAL KIT		1.250	71.42
RCLA-1811131	SEAL KIT1-3/4V, 3-1/8V, 3-7/8U, 5-1/4U"			138.22	RCLA-1811206	SEAL KIT	1.625	0.750	32.90
RCLA-1811132	SEAL KIT1-3/4V, 2-5/8V, 3-3/8U, 4-1/2U"			98.34	RCLA-1811207	SEAL KIT	2.000	1.000	47.73
RCLA-1811133	SEAL KIT 1-3/4V, 2-5/8V"			51.13	RCLA-1811209	SEAL KIT	2.250	1.000	53.81
RCLA-1811135	SEAL KIT 1-3/4V, 3-1/8V, 3-7/8U, 5-1/4U"			133.86	RCLA-1811210	SEAL KIT	2.750	1.250	66.65
RCLA-1811138	SEAL KIT 2-1/4V, 3-1/4V"			91.04	RCLA-1811212	SEAL KIT	3.250	1.250	69.40
RCLA-1811142	SEAL KIT 1-3/4V, 2-5/8V, 3-3/4V"			176.00	RCLA-1811217	SEAL KIT	4.500	1.750	52.71
RCLA-1811148	SEAL KIT 2-1/8V, 3-7/8V, 4-3/4U, 6-1/2U"			181.67	RCLA-1811218	SEAL KIT	6.000	2.000	277.37
RCLA-1811149	SEAL KIT	4.750	3.500	83.32	RCLA-1811244	SEAL KIT	2.250	1.125	16.34
RCLA-1811154	SEAL KIT	3.250	2.500	24.14	RCLA-1811275	SEAL KIT	4.000	1.500	54.45

All manufacturer's names, part numbers and descriptions are used for reference purposes only. We do not imply that any part shown is the product of these manufacturers.

INDUSTRIAL SEAL KITS

MOBILE SEAL KITS

CHARLYNN - CLARK

KITS

CLARK LIFT TRUCK

Ref. Number	Desc./Stage	Bore	Rod	\$	Ref. Number	Desc./Stage	Bore	Rod	\$
RCLA-1811309	SEAL KIT	3.000	1.000	12.20	RCLA-1818864	SEAL KIT	2.000	0.750	16.92
RCLA-1811314	SEAL KIT 1-3/4V, 3-1/8U, 3-7/8U, 5-1/4U"			114.38	RCLA-1821328	SEAL KIT	2.000	0.875	11.88
RCLA-1811315	SEAL KIT 1-3/4V, 3-1/8U, 3-7/8U, 5-1/4U"			130.32	RCLA-1830350	SEAL KIT	2.250	2.000	24.91
RCLA-1811327	SEAL KIT 2-1/8V, 3-7/8U, 4-3/4U, 6-1/2U"			152.80	RCLA-1830352	SEAL KIT	4.000	3.250	33.49
RCLA-1811327E	SEAL KIT 2-1/8V, 3-7/8U, 4-3/4U, 6-1/2U"			217.73	RCLA-1830358	SEAL KIT	3.250	2.500	40.98
RCLA-1811369	SEAL KIT	73.00	60.00	57.54	RCLA-1830360	SEAL KIT	3.000	2.500	25.37
RCLA-1811376	SEAL KIT	4.000	40.00	43.10	RCLA-1830361	SEAL KIT	2.500	2.250	27.90
RCLA-1811392	SEAL KIT	3.000	1.750	56.06	RCLA-1830649	SEAL KIT	2.750	0.750	27.61
RCLA-1811393	SEAL KIT	4.000	40.00	47.67	RCLA-1831042	SEAL KIT	1.250	4.000	8.23
RCLA-1811415	SEAL KIT	78.00	60.00	59.69	RCLA-1831074	SEAL KIT	4.500	1.750	36.65
RCLA-1811537	SEAL KIT	N/A	60.00	59.98	RCLA-1831075	SEAL KIT	N/A	3.250	36.56
RCLA-1811538	SEAL KIT	56.00	40.00	50.92	RCLA-1831076	SEAL KIT	2.500	1.125	23.05
RCLA-1811542	SEAL KIT	3.000	1.375	27.88	RCLA-1991085	P-TR-10	4.000	2.000	34.65
RCLA-1811544	SEAL KIT	2.000	1.000	43.06	RCLA-1991086	SEAL KIT	1.750	3.500	33.14
RCLA-1811569	SEAL KIT	3.375	2.000	42.28	RCLA-2367420	SEAL KIT	3.250	2.250	87.87
RCLA-1811582	SEAL KIT	3.500	1.250	25.72	RCLA-3009626	SEAL KIT	50.00	25.00	58.34
RCLA-1811691	SEAL KIT	2.450	2.000	26.55	RCLA-3986876	MOTOR	N/A	N/A	21.82
RCLA-1811697	SEAL KIT	3.500	1.250	25.84	RCLA-841270	SEAL KIT	3.750	2.000	29.95
RCLA-1811719	SEAL KIT	3.500	40.00	30.74	RCLA-886547	SEAL KIT	2.000	1.000	37.58
RCLA-1811759	SEAL KIT	3.000	1.250	26.13	RCLA-888348	PUMP	N/A	N/A	12.73
RCLA-1811785	SEAL KIT	3.500	40.00	35.96	RCLA-896505	MOTOR	N/A	N/A	6.12
RCLA-1811799	SEAL KIT	3.375	2.000	65.03	RCLA-905074	MOTOR	N/A	N/A	13.53
RCLA-1811852	SEAL KIT	3.500	3.000	53.06	RCLA-907984	VALVE	N/A	N/A	15.32
RCLA-1811855	SEAL KIT	72.00	60.00	36.35	RCLA-908985	VALVE	N/A	N/A	14.63
RCLA-1811972	SEAL KIT	3.000	1.250	33.80	RCLA-912339	SEAL KIT	3.000	2.500	31.37
RCLA-1813014	SEAL KIT	2.500	2.000	31.02	RCLA-914698	SEAL KIT	2.500	1.000	23.23
RCLA-1813015	SEAL KIT	N/A	2.625	59.35	RCLA-916351	SEAL KIT	4.750	4.000	469.04
RCLA-1813016	SEAL KIT	3.500	3.000	47.02	RCLA-917282	O-RING KIT	N/A	N/A	6.72
RCLA-1813017	SEAL KIT	72.00	60.00	36.35	RCLA-917713	SEAL KIT	2.000	N/A	18.80
RCLA-1813023	SEAL KIT	2.187	40.00	35.58	RCLA-921115A	VALVE	N/A	N/A	8.90
RCLA-1813024	SEAL KIT	N/A	40.00	17.76	RCLA-990076	VALVE	N/A	N/A	3.75
RCLA-1813032	SEAL KIT	3.375	50.00	56.78	RCLA-990208	SWIVEL	N/A	N/A	5.99
RCLA-1813055	SEAL KIT	3.125	50.00	62.91	RCLA-990209	SWIVEL	N/A	N/A	8.55
RCLA-1813075	SEAL KIT	3.500	40.00	35.17	RCLA-992511	O-RING KIT	N/A	N/A	6.14
RCLA-1813076	SEAL KIT	4.000	40.00	37.58	RCLA-995815	SWIVEL	N/A	N/A	8.96
RCLA-1813082	SEAL KIT	86.00	50.00	51.98	RCLA-999820	SEAL KIT	1.750	0.750	29.52
RCLA-1813084	SEAL KIT	N/A	50.00	20.41					

INDUSTRIAL SEAL KITS

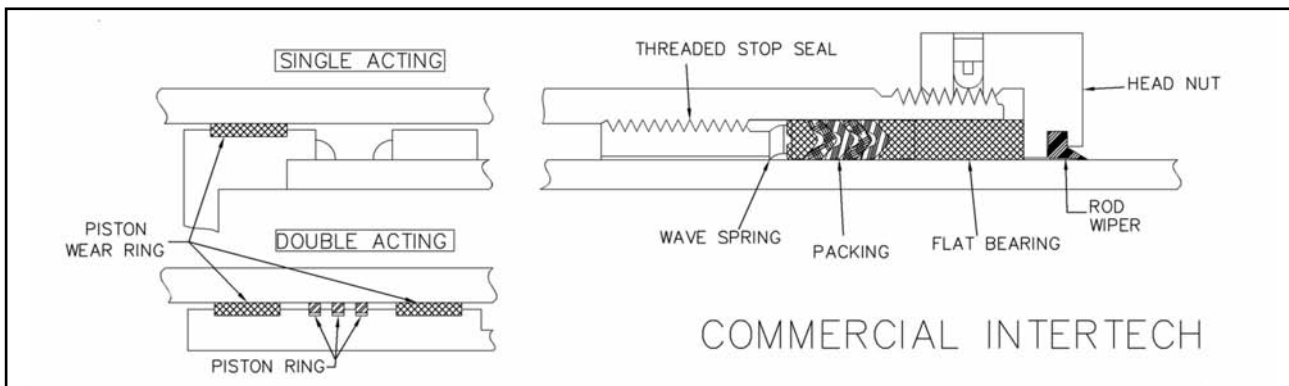
MOBILE SEAL KITS

CLARK

All manufacturer's names, part numbers and descriptions are used for reference purposes only. We do not imply that any part shown is the product of these manufacturers.

TELESCOPIC CYLINDERS

COMMERCIAL INTERTECH



STAGE O.D.'S: 2.750, 3.750, 4.750, 5.750, 6.750, 7.905, 9.375"
 IDENTIFICATION: CYLINDER MODEL NUMBER AND SERIAL NUMBER STAMPED ON METAL TAG APPLIED TO CYLINDER BODY
 ROD WIPERS: POLYURETHANE - SNAP IN TYPE (1)
 BEARINGS: NYLON FLAT (1)
 PACKING: VEE PACKING - ALL SECTIONS - 0.312"
 PISTON: SINGLE ACTING - NYLON WEAR RING (1)
 DOUBLE ACTING - NYLON WEAR RINGS (2) & C.I. PISTON RINGS (3)
 SPECIAL INFORMATION: THREADED INTERNAL STOP RING
 WAVE SPRING UNDER PACKING

V.set & Wiper

Ref. Number	Desc.	\$
RCI-02750VW	02.750" STAGE - V.SET & WIPER	18.00
RCI-03750VW	03.750" STAGE - V.SET & WIPER	23.30
RCI-04750VW	04.750" STAGE - V.SET & WIPER	29.12
RCI-05750VW	05.750" STAGE - V.SET & WIPER	37.11
RCI-06750VW	06.750" STAGE - V.SET & WIPER	53.89
RCI-07905VW	07.905" STAGE - V.SET & WIPER	57.32
RCI-09375VW	09.375" STAGE - V.SET & WIPER	118.36

Gland Bearing

Ref. Number	Desc.	\$
RCI-02750BRF	02.750" STAGE - GLAND BRG.	15.79
RCI-03750BRF	03.750" STAGE - GLAND BRG.	15.81
RCI-04750BRF	04.750" STAGE - GLAND BRG.	24.26
RCI-05750BRF	05.750" STAGE - GLAND BRG.	27.89
RCI-06750BRF	06.750" STAGE - GLAND BRG.	29.29
RCI-07905BRF	07.905" STAGE - GLAND BRG.	44.16
RCI-09375BRF	09.375" STAGE - GLAND BRG.	95.96

V.set & Wiper - Kits

Ref. Number	Desc.	\$
RCI-35	02.750" - 04.750" Vee Sets & Wipers	69.36
RCI-36	02.750" - 05.750" Vee Sets & Wipers	105.67
RCI-38	02.750" - 07.905" Vee Sets & Wipers	214.86
RCI-46	03.750" - 05.750" Vee Sets & Wipers	87.81
RCI-47	03.750"-06.750" Vee Sets & Wipers	140.70
RCI-48	03.750"-07.905" Vee Sets & Wipers	196.92
RCI-49	03.750"-09.375" Vee Sets & Wipers	314.27
RCI-56	04.750 - 05.750" Vee Sets & Wipers	65.26
RCI-57	04.750"-06.750" Vee Sets & Wipers	117.89
RCI-58	04.750"-07.905" Vee Sets & Wipers	174.78
RCI-59	04.750" - 09.375" Vee Sets & Wipers	285.64
RCI-69	05.750" - 09.375" Vee Sets & Wipers	223.06

All manufacturer's names, part numbers and descriptions are used for reference purposes only. We do not imply that any part shown is the product of these manufacturers.

Piston Bearing - Nylon

Ref. Number	Desc.	\$
RCI-U3023/32	02.750" STAGE - PISTON BRG.	3.98
RCI-U3023/42	03.750" STAGE - PISTON BRG.	5.93
RCI-U3023/52	04.750" STAGE - PISTON BRG.	5.99
RCI-U3023/62	05.750" STAGE - PISTON BRG.	6.77
RCI-U3023/72	06.750" STAGE - PISTON BRG.	7.76
RCI-U3023/84	07.905" STAGE - PISTON BRG.	9.18
RCI-U3023/98	09.375" STAGE - PISTON BRG.	18.61

Piston Ring - Cast Iron

Ref. Number	Desc.	\$
RCI-X78/425	03.750" STAGE - PISTON RING	10.72
RCI-X78/525	04.750" STAGE - PISTON RING	14.09
RCI-X78/625	05.750" STAGE - PISTON RING	16.62
RCI-X78/725	06.750" STAGE - PISTON RING	24.63
RCI-X78/843	07.905" STAGE - PISTON RING	34.21
RCI-X78/988	09.375" STAGE - PISTON RING	72.14

Piston Bearing - Kits

Ref. Number	Desc.	\$
RCI-NPB35	02.750"-04.750" Piston Bearings	15.87
RCI-NPB36	02.750"-05.750" Piston Bearings	44.95
RCI-NPB46	03.750"-05.750" Piston Bearing	37.37
RCI-NPB47	03.750"-06.750" Piston Bearings	26.45
RCI-NPB48	03.750"-07.905" Piston Bearings	71.12
RCI-NPB57	04.750"-06.750" Piston Bearings	20.51
RCI-NPB58	04.750"-07.905" Piston Bearings	59.26

Wave Spring

Ref. Number	Desc.	\$	Ref. Number	Desc.	\$
RCI-P1327/27	02.750" STAGE - WAVE SPRING	9.52	RCI-P1327/67	06.750" STAGE - WAVE SPRING	18.94
RCI-P1327/37	03.750" STAGE - WAVE SPRING	10.49	RCI-P1327/79	07.905" STAGE - WAVE SPRING	23.04
RCI-P1327/47	04.750" STAGE - WAVE SPRING	12.43	RCI-P1327/93	09.375" STAGE - WAVE SPRING	67.63
RCI-P1327/57	05.750" STAGE - WAVE SPRING	12.54			

COMMERCIAL INTERTECH

MOTORS

Shaft Seals - Motors (PTFE Lip)

Ref. Number	Model	Desc.	\$
RCI-391/2883/094	25X, 37X, 50	X73/50/1 - MOTOR S.SEAL	19.96
RCI-391/2883/096	25X	X73/50/3 - MOTOR S.SEAL	19.72
RCI-391/2883/115	P50	X73/50/8 - MOTOR S.SEAL	19.52
RCI-391/2883/119	P30	X73/50/9 - MOTOR S.SEAL	19.02
RCI-391/2883/126	P30(CONTINENTAL)	X73/50/11 - MOTOR S.SEAL	18.78

All manufacturer's names, part numbers and descriptions are used for reference purposes only. We do not imply that any part shown is the product of these manufacturers.

Remsa [KITS]

PUMPS

COMMERCIAL INTERTECH

Gaskets

Pocket Seals

Ref. Number	Model	Desc.	\$
RCI-UB3006/239	P15H	GASKET	0.49
RCI-UB3006/242	P30, P31	GASKET	0.53
RCI-UB3006/244	P25, X1, X11, X111	GASKET	0.61
RCI-UB3006/249	P37, X1	GASKET	0.77
RCI-UB3006/252	P75, P76	GASKET	0.90

Ref. Number	Model	Desc.	\$
RCI-K3026/19	P37, X1, X11	POCKET SEAL	0.90
RCI-K3026/22	P15H	POCKET SEAL	0.77
RCI-BA3026/2	P25, X1, X11, X111, P30, P31, P50, P51	POCKET SEAL	0.64
RCI-BA3026/6	P75, P76	POCKET SEAL	0.74

O'Rings

Shaft Seals - Pumps

Ref. Number	Model	Desc.	\$
RCI-L3006/4	P37, X11	O'RING	0.40
RCI-L3006/7	P15H	O'RING	0.16
RCI-L3006/26	P21, X1	O'RING	0.33
RCI-L3006/33	P37, X1	O'RING	0.37
RCI-L3006/47	P25, X111	O'RING	0.37
RCI-L3006/109	P21, X11	O'RING	0.24
RCI-L3006/164	P75, P76	O'RING	0.37

Ref. Number	Model	Desc.	\$
RCI-391/2883/043	25X, 37X, P50	X73/37/1 - PUMP S.SEAL	10.87
RCI-391/2883/048	15H	X73/37/6 - PUMP S.SEAL	2.78
RCI-391/2883/052	P25X, P37X, P75	X73/37/10 - PUMP S.SEAL	4.32
RCI-391/2883/055	P25X	X73/37/13 - PUMP S.SEAL	4.32
RCI-391/2883/057	25X, P50	X73/37/15 - PUMP S.SEAL	3.46
RCI-391/2883/058	P30	X73/37/16 - PUMP S.SEAL	2.73
RCI-391/2883/103	P50	X73/37/17 - PUMP S.SEAL	3.92
RCI-391/2883/104		PUMP SHAFT SEAL	O/R
RCI-391/2883/106	S150	X73/37/20 - PUMP S.SEAL	O/R
RCI-391/2883/107	P30, P50, P75	X73/37/18 - PUMP S.SEAL	15.10
RCI-391/2883/133		PUMP SHAFT SEAL	O/R
RCI-391/2883/151	2.750"	PUMP SHAFT SEAL	O/R

KITS

CROSS

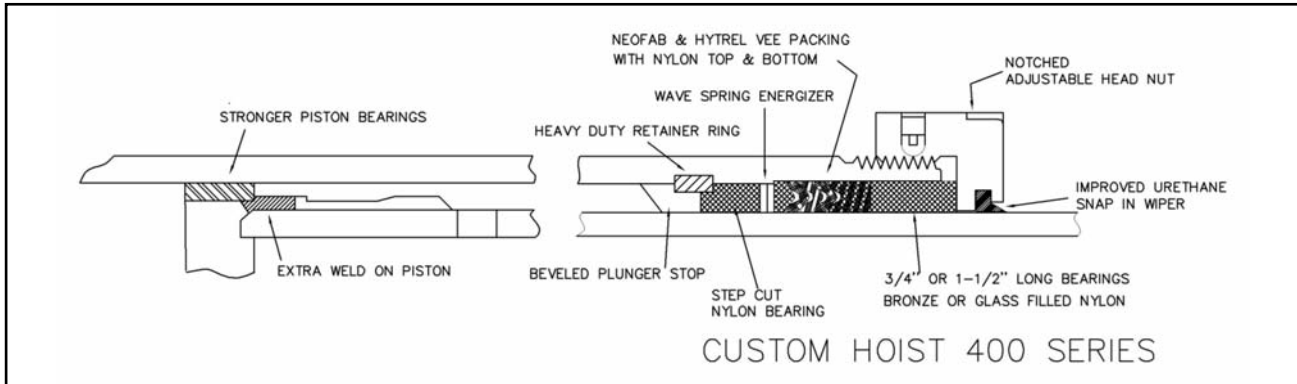
Ref. Number	Desc.	Bore	Rod	\$
RCROS-1C1480	SEAL KIT	2.000	1.062	25.77
RCROS-1C4147	SEAL KIT	3.000	1.125	11.63
RCROS-1C4244	SEAL KIT	2.000	1.062	14.64
RCROS-1C4429	SEAL KIT	3.500	1.250	13.17
RCROS-1C4430	SEAL KIT	4.000	1.250	13.79
RCROS-1C4433	SEAL KIT	2.500	1.062	15.26
RCROS-1C4629	SEAL KIT	3.000	1.250	10.01
RCROS-1C4630	SEAL KIT	3.000	1.500	10.24
RCROS-1C4631	SEAL KIT	3.500	1.500	13.51
RCROS-1C4637	SEAL KIT	4.000	1.500	19.37
RCROS-1C4638	SEAL KIT	4.000	2.000	13.61
RCROS-1C4642	SEAL KIT	1.500	0.750	17.12
RCROS-1C4750	SEAL KIT	2.000	1.000	10.24
RCROS-1C4759	SEAL KIT	2.500	1.250	10.54

Ref. Number	Desc.	Bore	Rod	\$
RCROS-1C4765	SEAL KIT	3.000	1.250	10.63
RCROS-1C4785	SEAL KIT	4.000	1.500	14.48
RCROS-1C4786/A	SEAL KIT	4.000	2.000	12.47
RCROS-1C4796	SEAL KIT	5.000	2.500	19.37
RCROS-1C9964	SEAL KIT	4.000	2.000	50.92
RCROS-2C1955	SEAL KIT	4.000	1.500	50.67
RCROS-2C2842	SEAL KIT	3.000	1.250	15.13
RCROS-2C5395	SEAL KIT	6.000	3.500	82.95
RCROS-3C2597	SEAL KIT	3.000	1.400	32.11
RCROS-3C7684	SEAL KIT	4.000	1.750	21.36

All manufacturer's names, part numbers and descriptions are used for reference purposes only. We do not imply that any part shown is the product of these manufacturers.

CUSTOM HOIST

400 SERIES - SINGLE ACTING



STAGE O.D.'S:	3, 4, 5, 6, 7, 8, 8.250, 9.125, 9.750"
IDENTIFICATION:	PART NUMBER AND SERIAL NUMBER STAMPED IN BODY NEAR OIL PORT NEAR BASE OF CYLINDER.
ROD WIPERS:	AN IMPROVED DUAL-LIP SNAP IN WIPER TO MINIMIZE CONTAMINATION ENTRY.
BEARINGS:	TOP AND BOTTOM MINERAL FILLED NYLON BEARING.
PACKING:	VEE PACKING WITH NYLON TOP AND BOTTOM ADAPTERS.
PISTON WEAR RING:	WEAR RING WITH INCREASED CROSS-SECTION FOR ADDED STRENGTH.
PLUNGER STOP	BEVELED PLUNGER STOP FOR PLUNGER CENTERING.
RETAINER RING	HEAVY DUTY FOR IMPROVED STRENGTH
WAVE SPRING	TO APPLY A CONTINUOUS FORCE ON THE PACKING.
SPECIAL INFORMATION:	USES 2 SPIRAL RETAINER RINGS WITH A METAL SPACER IN BETWEEN.

V.Sets & Wipers

Ref. Number	Desc.	\$
RCH-400/03000VW	03.000" STAGE - V.SET & WIPER	14.08
RCH-400/04000VW	04.000" STAGE - V.SET & WIPER	20.00
RCH-400/05000VW	05.000" STAGE - V.SET & WIPER	24.09
RCH-400/06000VW	06.000" STAGE - V.SET & WIPER	29.86
RCH-400/07000VW	07.000" STAGE - V.SET & WIPER	35.65
RCH-400/08000VW	08.000" STAGE - V.SET & WIPER	43.48
RCH-400/08250VW	08.250" STAGE - V.SET & WIPER	99.32
RCH-400/09125VW	09.125" STAGE - V.SET & WIPER	123.57

Bearings - Bottom

Ref. Number	Desc.	\$
RCH-1BU195/3	03.000" STAGE - BOTTOM BRG.	12.05
RCH-1BU195/4	04.000" STAGE - BOTTOM BRG.	12.38
RCH-1BU195/5	05.000" STAGE - BOTTOM BRG.	13.47
RCH-1BU195/6	06.000" STAGE - BOTTOM BRG.	14.50
RCH-1BU195/7	07.000" STAGE - BOTTOM BRG.	16.44
RCH-1BU195/8	08.000" STAGE - BOTTOM BRG.	19.27
RCH-1BU195/825	08.250" STAGE - BOTTOM BRG.	45.00
RCH-1BU195/912	09.125" STAGE - BOTTOM BRG.	29.37

Bearings - Top

Ref. Number	Desc.	\$
RCH-1BU11/3	03.000" STAGE - TOP BRG.	9.53
RCH-1BU11/4	04.000" STAGE - TOP BRG.	9.53
RCH-1BU11/5	05.000" STAGE - TOP BRG.	10.03
RCH-1BU11/6	06.000" STAGE - TOP BRG.	11.87
RCH-1BU11/7	07.000" STAGE - TOP BRG.	12.92
RCH-1BU11/8	08.000" STAGE - TOP BRG.	15.65
RCH-1BU11/825	08.250" STAGE - TOP BRG.	29.64
RCH-1BU11/912	09.125" STAGE - TOP BRG.	35.58

Wave Springs

Ref. Number	Desc.	\$
RCH-1WA11/3	03.000" STAGE - W.SPRING	14.18
RCH-1WA11/4	04.000" STAGE - W.SPRING	15.36
RCH-1WA11/5	05.000" STAGE - W.SPRING	17.05
RCH-1WA11/6	06.000" STAGE - W.SPRING	20.12
RCH-1WA11/7	07.000" STAGE - W.SPRING	32.64
RCH-1WA11/8	08.000" STAGE - W.SPRING	35.07
RCH-1WA11/825	08.250" STAGE - W.SPRING	37.03
RCH-1WA11/912	09.125" STAGE - W.SPRING	39.60

All manufacturer's names, part numbers and descriptions are used for reference purposes only. We do not imply that any part shown is the product of these manufacturers.

Remsa [KITS]

400 SERIES

CUSTOM HOIST

Piston Wear Ring

Ref. Number	Desc.	\$
RCH-2WG1/3	03.000" STAGE - PISTON W.R.	4.13
RCH-2WG1/4	04.000" STAGE - PISTON W.R.	4.45
RCH-2WG1/5	05.000" STAGE - PISTON W.R.	4.52
RCH-2WG1/6	06.000" STAGE - PISTON W.R.	5.11
RCH-2WG1/7	07.000" STAGE - PISTON W.R.	6.10
RCH-2WG1/8	08.000" STAGE - PISTON W.R.	11.04
RCH-2WG1/912	09.125" STAGE - PISTON W.R.	18.01
RCH-2WG1/975	09.750" STAGE - PISTON W.R.	33.85

Wipers

Ref. Number	Desc.	\$
RCH-1WR1/3	03.000" STAGE - WIPER	3.84
RCH-1WR1/4	04.000" STAGE - WIPER	4.59
RCH-1WR1/5	05.000" STAGE - WIPER	5.53
RCH-1WR1/6	06.000" STAGE - WIPER	6.51
RCH-1WR1/7	07.000" STAGE - WIPER	8.05
RCH-1WR1/8	08.000" STAGE - WIPER	9.52
RCH-1WR1/825	08.250" STAGE - WIPER	13.51
RCH-1WR1/912	09.125" STAGE - WIPER	19.57

Major Repair Kit

Ref. Number	Desc.	\$
RCH-MRK/53/400	PK.3.000 THRU 5.000" STAGES	528.38
RCH-MRK/53/700	PK.3.000 THRU 5.000" STAGES	450.34
RCH-MRK/63	PK.4.000 THRU 6.000" STAGES	176.83
RCH-MRK/63/400	PK.4.000 THRU 6.000" STAGES	554.41
RCH-MRK/63/700	PK.4.000 THRU 6.000" STAGES	485.24
RCH-MRK/64/400	PK.3.000 THRU 6.000" STAGES	725.70
RCH-MRK/64/700	PK.3.000 THRU 6.000" STAGES	606.16
RCH-MRK/73/400	PK.5.000 THRU 7.000" STAGES	597.65
RCH-MRK/74	PK.4.000 THRU 7.000" STAGES	219.36
RCH-MRK/74/400	PK.4.000 THRU 7.000" STAGES	773.49
RCH-MRK/74/700	PK.4.000 THRU 7.000" STAGES	726.80
RCH-MRK/84	PK.5.000 THRU 8.000" STAGES	286.41
RCH-MRK/84/400	PK.5.000 THRU 8.000" STAGES	875.15
RCH-MRK/85	PK.4.000 THRU 8.000" STAGES	345.25
RCH-MRK/85/400	PK.4.000 THRU 8.000" STAGES	1051.37
RCH-MRK/95	PK.5.000 THRU 9.125" STAGES	658.13
RCH-MRK/95/400	PK.5.000 THRU 9.000" STAGES	1651.32

Minor Repair Kit

Ref. Number	Desc.	\$
RCH-MPK/53/400	PK.3.000 THRU 5.000" STAGES	176.28
RCH-MPK/53/700	PK.3.000 THRU 5.000" STAGES	144.16
RCH-MPK/63/400	PK.4.000 THRU 6.000" STAGES	202.09
RCH-MPK/63/700	PK.4.000 THRU 6.000" STAGES	157.55
RCH-MPK/64/400	PK.3.000 THRU 6.000" STAGES	256.43
RCH-MPK/64/700	PK.3.000 THRU 6.000" STAGES	198.58
RCH-MPK/73/400	PK.5.000 THRU 7.000" STAGES	248.63
RCH-MPK/74/400	PK.4.000 THRU 7.000" STAGES	303.84
RCH-MPK/74/700	PK.4.000 THRU 7.000" STAGES	299.87
RCH-MPK/84/400	PK.5.000 THRU 8.000" STAGES	390.23
RCH-MPK/85/400	PK.4.000 THRU 8.000" STAGES	420.47
RCH-MPK/95/400	PK.5.000 THRU 9.000" STAGES	823.41

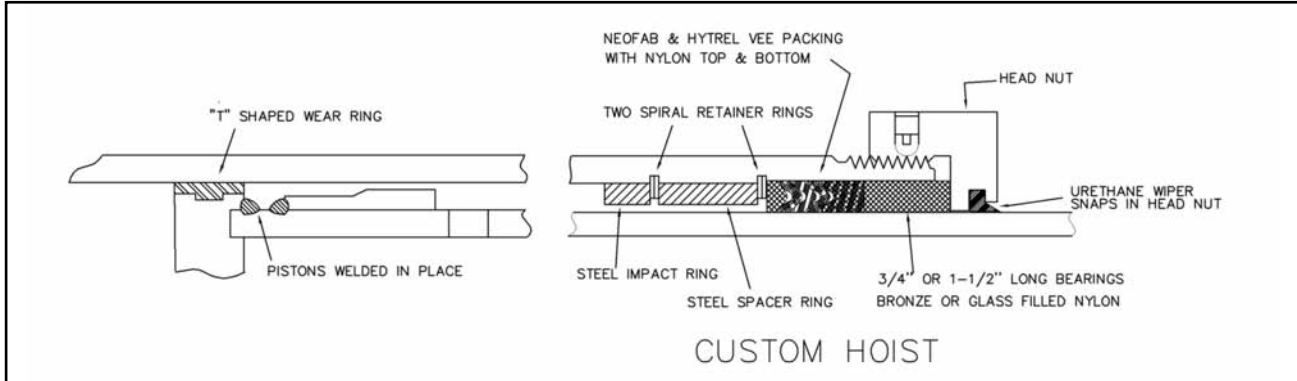
Retainer Ring

Ref. Number	Desc.	\$
RCH-2RR58/35	03.500" STAGE - RETAINER RING	49.71
RCH-2RR58/45	04.500" STAGE - RETAINER RING	48.57
RCH-2RR58/55	05.500" STAGE - RETAINER RING	46.12
RCH-2RR58/65	06.500" STAGE - RETAINER RING	43.71
RCH-2RR58/75	07.500" STAGE - RETAINER RING	53.35
RCH-2RR58/85	08.500" STAGE - RETAINER RING	69.19
RCH-2RR58/9	09.000" STAGE - RETAINER RING	203.99
RCH-2RR58/97	09.750" STAGE - RETAINER RING	146.78

All manufacturer's names, part numbers and descriptions are used for reference purposes only. We do not imply that any part shown is the product of these manufacturers.

CUSTOM HOIST

TELESCOPICS



STAGE O.D.'S:	3, 4, 5, 6, 7, 8, 8.250, 9.125, 9.750"
IDENTIFICATION:	PART NUMBER AND SERIAL NUMBER STAMPED IN BODY NEAR OIL PORT NEAR BASE OF CYLINDER.
ROD WIPERS:	SNAP IN
BEARINGS:	ONE BRONZE OR MINERAL FILLED NYLON BEARING ABOVE THE PACKING.
PACKING:	VEE PACKING WITH NYLON TOP AND BOTTOM ADAPTOR 4" THRU 8"
PISTON:	ALL SECTIONS - 0.250" STEEL PISTONS WELDED TO STAGE. REPLACABLE "T" SHAPED NYLON WEAR RINGS. DOUBLE ACTION USES 2 CAST IRON PISTON RINGS IN SEPARATE GROOVES.
SPECIAL INFORMATION:	USES 2 SPIRAL RETAINER RINGS WITH A METAL SPACER IN BETWEEN.

Packings & Wipers

Top Bearing

Ref. Number	Desc.	\$
RCH-03000VW	03.000" STAGE - V.SET & WIPER	13.62
RCH-04000VW	04.000" STAGE - V.SET & WIPER	15.13
RCH-05000VW	05.000" STAGE - V.SET & WIPER	20.91
RCH-06000VW	06.000" STAGE - V.SET & WIPER	25.49
RCH-07000VW	07.000" STAGE - V.SET & WIPER	29.77
RCH-08000VW	08.000" STAGE - V.SET & WIPER	33.52
RCH-08250VW	08.250" STAGE - V.SET & WIPER	76.64
RCH-09125VW	09.125" STAGE - V.SET & WIPER	110.74
RCH-09750VW	09.750" STAGE - V.SET & WIPER	165.69

Ref. Number	Desc.	\$
RCH-1BU11/3	03.000" STAGE - TOP BRG.	9.53
RCH-1BU11/4	04.000" STAGE - TOP BRG.	9.53
RCH-1BU11/5	05.000" STAGE - TOP BRG.	10.03
RCH-1BU11/6	06.000" STAGE - TOP BRG.	11.87
RCH-1BU11/7	07.000" STAGE - TOP BRG.	12.92
RCH-1BU11/8	08.000" STAGE - TOP BRG.	15.65
RCH-1BU11/825	08.250" STAGE - TOP BRG.	29.64
RCH-1BU11/912	09.125" STAGE - TOP BRG.	35.58

Retainer Rings

Piston Wear Rings*

Ref. Number	Desc.	\$
RCH-1RR1/35	03.000" STAGE - R.RING	3.88
RCH-1RR1/45	04.000" STAGE - R.RING	9.24
RCH-1RR1/55	05.000" STAGE - R.RING	9.46
RCH-1RR1/65	06.000" STAGE - R.RING	7.32
RCH-1RR1/75	07.000" STAGE - R.RING	9.70
RCH-1RR1/85	08.000" STAGE - R.RING	12.02
RCH-1RR1/9	09.000" STAGE - R.RING	68.87
RCH-1RR1/975	09.750" STAGE - R.RING	78.44
RCH-1RR1/105	10.500" STAGE - R.RING	101.15

Ref. Number	Desc.	\$
RCH-2GR6/3	03.000" STAGE - PISTON W.R.	6.65
RCH-2GR6/4	04.000" STAGE - PISTON W.R.	7.17
RCH-2GR6/5	05.000" STAGE - PISTON W.R.	9.16
RCH-2GR6/6	06.000" STAGE - PISTON W.R.	11.34
RCH-2GR6/7	07.000" STAGE - PISTON W.R.	12.34
RCH-2GR6/8	08.000" STAGE - PISTON W.R.	20.36
RCH-2GR6/825	08.250" STAGE - PISTON W.R.	29.08
RCH-2GR6/912	09.125" STAGE - PISTON W.R.	29.08
RCH-2GR6/975	09.750" STAGE - PISTON W.R.	30.54

* "T" Shaped wear rings required for single acting cylinders with s/n below 35000 and double acting cylinders with s/n below 216100.

All manufacturer's names, part numbers and descriptions are used for reference purposes only. We do not imply that any part shown is the product of these manufacturers.

TELESCOPICS

CUSTOM HOIST

Piston Wear Rings*

Ref. Number	Desc.	\$
RCH-2WG1/3	03.000" STAGE - PISTON W.R.	4.13
RCH-2WG1/4	04.000" STAGE - PISTON W.R.	4.45
RCH-2WG1/5	05.000" STAGE - PISTON W.R.	4.52
RCH-2WG1/6	06.000" STAGE - PISTON W.R.	5.11
RCH-2WG1/7	07.000" STAGE - PISTON W.R.	6.10
RCH-2WG1/8	08.000" STAGE - PISTON W.R.	11.04
RCH-2WG1/912	09.125" STAGE - PISTON W.R.	18.01
RCH-2WG1/975	09.750" STAGE - PISTON W.R.	33.85

Piston Rings (Double Acting)

Ref. Number	Desc.	\$
RCH-2PR3/35	03.000" STAGE - PISTON RING	9.75
RCH-2PR3/45	04.000" STAGE - PISTON RING	13.31
RCH-2PR3/55	05.000" STAGE - PISTON RING	17.09
RCH-2PR3/65	06.000" STAGE - PISTON RING	27.69
RCH-2PR3/75	07.000" STAGE - PISTON RING	25.99
RCH-2PR3/85	08.000" STAGE - PISTON RING	35.02
RCH-2PR3/97	09.125" STAGE - PISTON RING	72.07
RCH-2PR3/105	09.750" STAGE - PISTON RING	112.31

* Rectangular wear rings required for single acting cylinders with s/n 350000 & up and double acting cylinders with s/n 216000 and up.

Piston Bearing - Kits

Ref. Number	Desc.	\$
RCH-NPB35	3.000 - 5.000 - PISTON BEAR	22.88
RCH-NPB36	3.000 - 6.000 - PISTON BEAR	34.19
RCH-NPB46	4.000 - 6.000 - PISTON BEAR	27.56
RCH-NPB47	4.000 - 7.000 - PISTON BEAR	39.86
RCH-NPB48	4.000 - 8.000 - PISTON BEAR	60.13
RCH-NPB48-1/4	4.000 - 8.250 - PISTON BEAR	68.83
RCH-NPB49	4.000 - 9.125 - PISTON BEAR	89.10
RCH-NPB57	5.000 - 7.000 - PISTON BEAR	32.71
RCH-NPB58	5.000 - 8.000 - PISTON BEAR	52.95
RCH-NPB59	5.000 - 9.125 - PISTON BEAR	81.95

Piston Ring - Kits

Ref. Number	Desc.	\$
RCH-PR35	2 ea. 3.500 - 5.500" PISTON RINGS	83.02
RCH-PR36	2 ea. 3.500 - 6.500" PISTON RINGS	138.22
RCH-PR46	2 ea. 4.500 - 6.500" PISTON RINGS	115.78
RCH-PR47	2 ea. 4.500 - 7.500" PISTON RINGS	167.54
RCH-PR48	2 ea. 4.500 - 8.500" PISTON RINGS	237.29
RCH-PR49	2 ea. 4.500 - 9.750" PISTON RINGS	380.88
RCH-PR57	2 ea. 4.500 - 9.750" PISTON RINGS	141.01
RCH-PR58	2 ea. 5.500 - 7.500" PISTON RINGS	210.76
RCH-PR59	2 ea. 5.500 - 9.750" PISTON RINGS	354.35

Top Bearing - Kits

Ref. Number	Desc.	\$
RCH-NYB35/DA	BK.3.000 - 5.000" STAGES (2EA)	56.63
RCH-NYB35/SA	BK.3.000 - 5.000" STAGES (1EA)	28.31
RCH-NYB36/DA	BK.3.000 - 6.000" STAGES (2EA)	79.76
RCH-NYB36/SA	BK.3.000 - 6.000" STAGES (1EA)	39.88
RCH-NYB46/DA	BK.4.000 - 6.000" STAGES (2EA)	61.15
RCH-NYB46/SA	BK.4.000 - 6.000" STAGES (1EA)	30.58
RCH-NYB47/DA	BK.4.000 - 7.000" STAGES (2EA)	86.62
RCH-NYB47/SA	BK.4.000 - 7.000" STAGES (1EA)	43.13
RCH-NYB48/1/4	BK.4.000 - 8.250" STAGES (1EA)	72.23
RCH-NYB48/DA	BK.4.000 - 8.000" STAGES (2EA)	116.69
RCH-NYB48/SA	BK.4.000 - 8.000" STAGES (1EA)	58.33
RCH-NYB49/DA	BK.4.000 - 8.000" STAGES (2EA)	204.50
RCH-NYB57/DA	BK.5.000 - 7.000" STAGES (2EA)	67.71
RCH-NYB57/SA	BK.5.000 - 7.000" STAGES (1EA)	33.85
RCH-NYB58/DA	BK.5.000 - 7.000" STAGES (2EA)	98.11
RCH-NYB58/SA	BK.5.000 - 8.000" STAGES (1EA)	49.05
RCH-NYB59/DA	BK.5.000 - 9.125" STAGES (2EA)	193.34

Retainer Rings - Kits

Ref. Number	Desc.	\$
RCH-SR35	2 ea. 3.500 - 5.500" S.RETAINER	44.40
RCH-SR36	2 ea. 3.500 - 6.500" S.RETAINER	59.06
RCH-SR46	2 ea. 4.500 - 6.500" S.RETAINER	53.61
RCH-SR47	2 ea. 4.500 - 7.500" S.RETAINER	73.56
RCH-SR48	2 ea. 4.500 - 8.500" S.RETAINER	98.35
RCH-SR48/1/4	2 ea. 4.500 - 8.250" S.RETAINER	282.98
RCH-SR49	2 ea. 4.500 - 9.750" S.RETAINER	254.63
RCH-SR57	2 ea. 5.500 - 7.500" S.RETAINER	54.53
RCH-SR58	2 ea. 5.500 - 8.500" S.RETAINER	79.32
RCH-SR59	2 ea. 5.500 - 9.750" S.RETAINER	235.60

All manufacturer's names, part numbers and descriptions are used for reference purposes only. We do not imply that any part shown is the product of these manufacturers.

INDUSTRIAL SEAL KITS

MOBILE SEAL KITS

CUSTOM HOIST

CUSTOM HOIST

700 SERIES

Bearings - Nylon

Ref. Number	Desc.	\$
RCH-1BU11/3187	03.187" STAGE - BEARING	14.50
RCH-1BU11/4125	04.125" STAGE - BEARING	14.96
RCH-1BU11/5062	05.062" STAGE - BEARING	15.03
RCH-1BU11/6000	06.000" STAGE - BEARING	10.12

Packing Kits

Ref. Number	Desc.	\$
RCH-700S/3187PK	03.187" STAGE - PACKING KIT	16.50
RCH-700S/4125PK	04.125" STAGE - PACKING KIT	19.16
RCH-700S/5062PK	05.062" STAGE - PACKING KIT	23.78
RCH-700S/6000PK	06.000" STAGE - PACKING KIT	20.13

Wipers

Ref. Number	Desc.	\$
RCH-1WR1/3187	03.187" STAGE - WIPER	4.84
RCH-1WR1/4125	04.125" STAGE - WIPER	6.29
RCH-1WR1/5062	05.062" STAGE - WIPER	7.76
RCH-1WR1/6000	06.000" STAGE - WIPER	6.51

Piston Wear Rings

Ref. Number	Desc.	\$
RCH-2WG3/3187	03.187" STAGE - PISTON W.R.	4.21
RCH-2WG3/4125	04.125" STAGE - PISTON W.R.	5.29
RCH-2WG3/5062	05.062" STAGE - PISTON W.R.	6.23
RCH-2WG3/6000	06.000" STAGE - PISTON W.R.	7.53

DEMAG

KITS

Ref. Number	Desc.	Bore	Rod	\$	Ref. Number	Desc.	Bore	Rod	\$
RDEM-691718	SEAL KIT	300.00	N/A	602.81	RDEM-694736	SEAL KIT	N/A	125.00	105.59
RDEM-691776	SEAL KIT	320.00	N/A	819.70	RDEM-696426	SEAL KIT	225.00	N/A	286.63
RDEM-691777	SEAL KIT	300.00	N/A	600.61	RDEM-696430	SEAL KIT	N/A	190.00	254.60
RDEM-691779	SEAL KIT	300.00	N/A	546.05	RDEM-971771	SEAL KIT	320.00	N/A	845.35
RDEM-692135	SEAL KIT	225.00	N/A	209.10	RDEM-988100	SEAL KIT	200.00	N/A	325.76
RDEM-692136	SEAL KIT	N/A	140.00	71.15	RDEM-988121	SEAL KIT	N/A	125.00	142.78
RDEM-692163	SEAL KIT	140.00	N/A	233.27	RDEM-988271	SEAL KIT	N/A	160.00	196.96
RDEM-692164	SEAL KIT	N/A	100.00	99.58	RDEM-997553	SEAL KIT	N/A	200.00	751.29
RDEM-692418	SEAL KIT	300.00	N/A	662.83	RDEM-997557	SEAL KIT	N/A	170.00	387.12
RDEM-693617	SEAL KIT	200.00	N/A	343.54	RDEM-997574	SEAL KIT	250.00	N/A	323.81
RDEM-693618	SEAL KIT	N/A	110.00	140.26	RDEM-997576	SEAL KIT	250.00	N/A	342.33
RDEM-694726	SEAL KIT	350.00	N/A	925.81	RDEM-997577	SEAL KIT	N/A	170.00	387.12
RDEM-694727	SEAL KIT	N/A	240.00	498.85					

All manufacturer's names, part numbers and descriptions are used for reference purposes only. We do not imply that any part shown is the product of these manufacturers.

KITS - LISTING

DENHARCO

Ref. Number	Desc.	Bore	Rod	\$	Ref. Number	Desc.	Bore	Rod	\$
RDEN-CL/1500/3901	SEAL KIT	1.500	0.750	32.01	RDEN-H1703/12M	SEAL KIT	3.000	1.500	58.30
RDEN-CL/2000/3902	SEAL KIT	2.000	1.000	35.75	RDEN-H7443/11A	SEAL KIT	N/A	N/A	0.86
RDEN-CL/2000/3903	SEAL KIT	2.000	1.250	104.02	RDEN-H7467/03A	SEAL KIT	N/A	N/A	0.34
RDEN-CL/2000/3904	SEAL KIT	2.000	1.250	32.34	RDEN-H7471/01A	SEAL KIT	N/A	N/A	5.70
RDEN-CL/3000/3901	SEAL KIT	3.000	1.500	47.14	RDEN-H7493/27A	SEAL KIT	N/A	N/A	0.83
RDEN-CL/3000/3902	SEAL KIT	3.000	1.500	52.02	RDEN-HY/0804/1000	SEAL KIT	N/A	N/A	1.30
RDEN-CL/3000/3904	SEAL KIT	3.000	1.500	47.14	RDEN-HY/0804/1002	SEAL KIT	N/A	N/A	19.55
RDEN-CL/3000/3905	SEAL KIT	3.000	1.500	59.98	RDEN-HY/0804/1600	SEAL KIT	N/A	N/A	0.62
RDEN-CL/4000/3901	SEAL KIT	4.000	2.000	53.40	RDEN-HY/0804/3000/98	SEAL KIT	N/A	N/A	19.94
RDEN-CL/4000/3902	SEAL KIT	4.000	2.000	70.00	RDEN-HY/0804/3024/98	SEAL KIT	N/A	N/A	14.69
RDEN-CL/4000/3903	SEAL KIT	4.000	2.000	146.01	RDEN-HY/0804/3026/98	SEAL KIT	N/A	N/A	18.06
RDEN-CL/4000/3904	SEAL KIT	4.000	2.000	157.79	RDEN-HY/0804/3031	SEAL KIT	N/A	N/A	5.52
RDEN-CL/4500/3901	SEAL KIT	4.500	2.500	218.43	RDEN-HY/0804/3034/97	SEAL KIT	N/A	N/A	19.09
RDEN-CL/5000/3901	SEAL KIT	4.500	3.000	162.27	RDEN-HY/0804/3034/98	SEAL KIT	N/A	N/A	13.90
RDEN-CL/5000/3902	SEAL KIT	5.000	3.000	126.93	RDEN-HY/0804/4001	SEAL KIT	N/A	N/A	1.84
RDEN-CL/5000/3903	SEAL KIT	5.000	3.000	165.38	RDEN-HY/0821/0350	SEAL KIT	N/A	N/A	14.38
RDEN-CL/5000/3904	SEAL KIT	5.000	3.000	236.04	RDEN-HY/0985/0225	SEAL KIT	N/A	N/A	5.67
RDEN-CL/5000/3905	SEAL KIT	5.000	3.000	239.04	RDEN-HY/0985/0325	SEAL KIT	N/A	N/A	0.66
RDEN-CL/6000/3902	SEAL KIT	6.000	3.000	118.73	RDEN-HY/1820/01HP	SEAL KIT	N/A	N/A	5.26
RDEN-CL/6000/3903	SEAL KIT	6.000	4.000	142.56	RDEN-HY/1820/02HP	SEAL KIT	N/A	N/A	25.56
RDEN-CL/6000/3905	SEAL KIT	6.000	4.500	156.17	RDEN-HY/1820/03HP	SEAL KIT	N/A	N/A	20.84
RDEN-CL/7000/3902	SEAL KIT	7.000	4.500	182.63	RDEN-HY/1820/04	SEAL KIT	N/A	N/A	7.55
RDEN-DV/2588/0101	SEAL KIT	N/A	N/A	95.58	RDEN-HY/1820/04HP	SEAL KIT	N/A	N/A	15.34
RDEN-H0569/08M	SEAL KIT	4.000	N/A	37.91	RDEN-HY/1820/05HP	SEAL KIT	N/A	N/A	11.04
RDEN-H0652/26M	SEAL KIT	5.000	N/A	141.23	RDEN-HY/1820/07HP	SEAL KIT	N/A	N/A	25.92
RDEN-H0713/33M	SEAL KIT	3.000	1.500	50.86	RDEN-HY/1820/08HP	SEAL KIT	N/A	N/A	10.00
RDEN-H0714/11M	SEAL KIT	4.000	2.000	72.70	RDEN-HY/1820/09HP	SEAL KIT	N/A	N/A	16.57
RDEN-H0716/44M	SEAL KIT	6.000	3.000	138.89	RDEN-HY/1842/07	SEAL KIT	N/A	N/A	0.72
RDEN-H1627/04M	SEAL KIT	6.000	4.000	180.49	RDEN-HY/1842/07-V	SEAL KIT	N/A	N/A	7.80

PARTS

DENHARCO

Ref. Number	Desc.	\$	Ref. Number	Desc.	\$
RDEN-DV/2623	REPLACEMENT ORING	9.58	RDEN-HY/0014/0038	REPLACEMENT ORING	0.50
RDEN-DV/2665	REPLACEMENT ORING	0/R	RDEN-HY/0014/0113	REPLACEMENT ORING	0.09
RDEN-DV/2679	REPLACEMENT ORING	10.53	RDEN-HY/0014/0120	REPLACEMENT ORING	0.18
RDEN-H7320/68A	REPLACEMENT PART	0.12	RDEN-HY/0014/0122	REPLACEMENT ORING	0.22
RDEN-H7322/96A	REPLACEMENT PART	0.30	RDEN-HY/0014/0210	REPLACEMENT ORING	0.19
RDEN-HY/0008/04	REPLACEMENT ORING	1.61	RDEN-HY/0014/0214	REPLACEMENT ORING	0.24
RDEN-HY/0008/23	REPLACEMENT ORING	2.77	RDEN-HY/0014/0218	REPLACEMENT ORING	0.33
RDEN-HY/0008/25	REPLACEMENT ORING	3.55	RDEN-HY/0014/0219	REPLACEMENT ORING	0.33
RDEN-HY/0014/0009	REPLACEMENT ORING	0.07	RDEN-HY/0014/0222	REPLACEMENT ORING	0.43
RDEN-HY/0014/0010	REPLACEMENT ORING	0.05	RDEN-HY/0014/0225	REPLACEMENT ORING	0.53
RDEN-HY/0014/0013	REPLACEMENT ORING	0.06	RDEN-HY/0014/0250	REPLACEMENT ORING	1.89
RDEN-HY/0014/0015	REPLACEMENT ORING	0.07	RDEN-HY/0014/0252	REPLACEMENT ORING	1.77
RDEN-HY/0014/0019	REPLACEMENT ORING	0.12	RDEN-HY/1158/09	REPLACEMENT ORING	0.10
RDEN-HY/0014/0020	REPLACEMENT ORING	0.12	RDEN-HY/1511/12	REPLACEMENT ORING	10.20
RDEN-HY/0014/0034	REPLACEMENT ORING	0.11	RDEN-HY/1511/17	REPLACEMENT ORING	4.46
RDEN-HY/0014/0037	REPLACEMENT ORING	0.48			

All manufacturer's names, part numbers and descriptions are used for reference purposes only. We do not imply that any part shown is the product of these manufacturers.

INDUSTRIAL SEAL KITS

MOBILE SEAL KITS

DENHARCO

DRILTECH

KITS - LISTING

Ref. Number	Desc.	Bore	Rod	\$	Ref. Number	Desc.	Bore	Rod	\$
RDRI-003130/069	VALVE KIT	N/A	N/A	4.75	RDRI-020059/051	SEAL KIT	6.000	4.500	307.36
RDRI-016398/064	SEAL KIT	2.000	N/A	63.32	RDRI-1027/088	SEAL KIT	5.000	2.500	110.08
RDRI-020049/051	SEAL KIT	5.000	2.500	208.85	RDRI-1029/085	SEAL KIT	4.500	3.000	133.62
RDRI-020050/051	SEAL KIT	3.000	1.250	136.70	RDRI-12471/058	SEAL KIT	5.000	3.750	278.16
RDRI-020054/051	SEAL KIT	2.000	1.000	129.10	RDRI-1974/065	SEAL KIT	5.000	3.000	178.68
RDRI-020055/051	SEAL KIT	5.000	3.000	235.42	RDRI-3130/077	SEAL KIT	5.000	3.000	114.30
RDRI-020056/051	SEAL KIT	4.500	3.000	353.13					

DRILTECH

PARTS

Ref. Number	Desc.	\$	Ref. Number	Desc.	\$
RDRI-001109/005	REPLACEMENT PART	3.96	RDRI-001330/428	REPLACEMENT PART	2.10
RDRI-001109/007	REPLACEMENT PART	5.83	RDRI-001528/001	REPLACEMENT PART	1.69
RDRI-001109/010	REPLACEMENT PART	8.20	RDRI-001528/003	REPLACEMENT PART	1.52
RDRI-001109/016	REPLACEMENT PART	0.75	RDRI-002174/004	REPLACEMENT PART	3.96
RDRI-001109/019	REPLACEMENT PART	1.21	RDRI-002174/007	REPLACEMENT PART	4.65
RDRI-001109/023	REPLACEMENT PART	2.39	RDRI-002174/062	REPLACEMENT PART	7.02
RDRI-001109/051	REPLACEMENT PART	1.83	RDRI-020051/063	REPLACEMENT PART	88.16
RDRI-001110/001	REPLACEMENT PART	30.03			
RDRI-001330/060	REPLACEMENT PART	6.39			

DROTT

KITS

Ref. Number	Desc.	Bore	Rod	\$	Ref. Number	Desc.	Bore	Rod	\$
RDRO-S120324	SEAL KIT	6.500	3.500	182.90	RDRO-S609427	SEAL KIT	6.500	3.500	76.53
RDRO-S200950	SEAL KIT	4.000	2.000	69.34	RDRO-S63871	SEAL KIT	5.250	4.500	47.19
RDRO-S233348	SEAL KIT	7.000	5.000	65.01					

EATON YALE - TIMBERJACK

KITS

Ref. Number	Desc.	Bore	Rod	\$	Ref. Number	Desc.	Bore	Rod	\$
REYT-2106793	SEAL KIT	3.000	1.500	35.11	REYT-6955804	SEAL KIT	5.000	2.250	68.36
REYT-6955800	SEAL KIT	3.500	2.000	43.61	REYT-6955805	SEAL KIT	5.500	2.520	70.44

All manufacturer's names, part numbers and descriptions are used for reference purposes only. We do not imply that any part shown is the product of these manufacturers.

Remsa [KITS]

KITS

EIMCO JARVIS CLARK

Ref. Number	Desc.	Bore	Rod	\$	Ref. Number	Desc.	Bore	Rod	\$
REJC-0665100065	90.00MM - U CUP			15.49	REJC-64253283	SEAL KIT	5.000	2.500	626.96
REJC-55300398	SEAL KIT	6.025	3.000	279.82	REJC-64253993	SEAL KIT	6.000	3.000	706.05
REJC-55300399	SEAL KIT	4.525	2.000	196.55	REJC-64255227	SEAL KIT	7.500	3.500	647.97
REJC-55300422	SEAL KIT	8.025	3.500	626.40	REJC-64255847	SEAL KIT	3.500	1.750	170.61
REJC-55415927	SEAL KIT	6.000	3.500	191.60	REJC-64255848	SEAL KIT	4.000	2.000	200.55
REJC-64109730	SEAL KIT	4.990	2.500	303.11	REJC-64255850	SEAL KIT	6.000	3.500	293.76
REJC-64109731	SEAL KIT	5.000	2.000	290.17	REJC-64255857	SEAL KIT	5.000	2.250	336.11
REJC-64109788	SEAL KIT	6.000	3.000	398.58	REJC-64255987	SEAL KIT	7.000	3.500	670.38
REJC-64109811	SEAL KIT	4.000	2.000	239.72	REJC-64255993	SEAL KIT	9.000	5.000	999.45
REJC-64109909	SEAL KIT	9.000	4.000	736.44	REJC-64777254	SEAL KIT	5.000	2.000	37.50
REJC-64110018	SEAL KIT	6.000	3.000	356.85	REJC-68007671	SEAL KIT	9.000	N/A	232.45
REJC-64110094	SEAL KIT	6.000	2.500	392.77	REJC-68064755	SEAL KIT	7.020	N/A	146.48
REJC-64110394	SEAL KIT	5.000	2.500	312.11	REJC-68073988	SEAL KIT	6.000	3.500	594.99
REJC-64110739	SEAL KIT	5.000	2.500	268.55	REJC-68074101	SEAL KIT	5.000	2.250	160.83
REJC-64110794	SEAL KIT	3.500	2.000	260.35	REJC-68074218	SEAL KIT	3.500	1.750	146.30
REJC-64110798	SEAL KIT	6.000	3.000	400.96	REJC-68075850	SEAL KIT	N/A	5.000	166.24
REJC-64110802	SEAL KIT	6.500	3.000	403.35	REJC-68075934	SEAL KIT	N/A	3.500	112.24
REJC-64245198	SEAL KIT	6.000	3.500	411.63	REJC-68079480	SEAL KIT	7.000	3.500	271.40
REJC-64251829	SEAL KIT	3.500	2.000	47.79	REJC-68099363	SEAL KIT	7.500	3.500	344.63
REJC-64251852	SEAL KIT	8.000	4.000	825.94	REJC-68099694	SEAL KIT	4.000	2.000	158.79
REJC-64251858	SEAL KIT	6.000	2.500	524.57	REJC-69014470	SEAL KIT	2.500	0.875	25.54
REJC-64252761	SEAL KIT	6.000	3.000	649.96	REJC-69018025	SEAL KIT	5.000	2.000	229.22
REJC-64253184	SEAL KIT	5.000	2.000	566.36	REJC-69018033	SEAL KIT	5.000	2.000	221.73
REJC-64253186	SEAL KIT	6.500	3.000	348.50	REJC-69018899	SEAL KIT	6.000	5.500	216.80
REJC-64253188	SEAL KIT	6.000	3.500	390.39	REJC-69039921	SEAL KIT	5.000	2.500	113.00
REJC-64253212	SEAL KIT	5.000	2.500	566.19	REJC-900/3073988	SEAL KIT	6.000	3.500	226.52
REJC-64253272	SEAL KIT	3.500	2.000	164.15	REJC-900/3074218	SEAL KIT	3.500	1.750	128.90
REJC-64253277	SEAL KIT	6.500	3.000	345.13					



All manufacturer's names, part numbers and descriptions are used for reference purposes only. We do not imply that any part shown is the product of these manufacturers.

INDUSTRIAL SEAL KITS

MOBILE SEAL KITS

EIMCO JARVIS CLARK

INDUSTRIAL
SEAL KITS

MOBILE
SEAL KITS

ELPHINSTONE - EUCLID

ELPHINSTONE

KITS

Ref. Number	Desc.	Bore	Rod	\$	Ref. Number	Desc.	Bore	Rod	\$
RELP-1939260	SEAL KIT	8.500	4.000	334.49	RELP-9DE2659	SEAL KIT	8.500	4.000	271.24
RELP-1DE3187	SEAL KIT	230.000	4.000	436.49	RELP-9EL1171	SEAL KIT	10.000	5.500	513.29
RELP-1DE3188	SEAL KIT	9.076	4.000	348.55	RELP-9EL8333	SEAL KIT	10.500	5.500	503.78
RELP-9DE1800	SEAL KIT	6.000	3.000	164.13	RELP-9EQ0379	SEAL KIT	6.000	3.000	165.34
RELP-9DE1809	SEAL KIT	5.000	2.500	102.12	RELP-9EQ0380	SEAL KIT	8.250	4.250	425.04
RELP-9DE1817	SEAL KIT	7.750	3.250	261.81					

ESCO

KITS

Ref. Number	Desc.	Bore	Rod	\$	Ref. Number	Desc.	Bore	Rod	\$
RESC-402965	SEAL KIT	5.000	2.500	4.17	RESC-421479	SEAL KIT	6.000	2.000	76.65
RESC-402968	SEAL KIT	4.000	2.250	8.12	RESC-422204	SEAL KIT	3.500	2.000	46.10
RESC-402970	SEAL KIT	4.000	2.250	3.90	RESC-434043	SEAL KIT	5.000	2.000	32.18
RESC-4046426	SEAL KIT	5.000	2.500	97.93	RESC-434837	SEAL KIT	4.000	2.000	37.95
RESC-4049054	SEAL KIT	4.000	2.000	67.81	RESC-435261	SEAL KIT	3.500	1.500	40.08
RESC-4050756	SEAL KIT	4.000	2.250	33.53	RESC-435398	SEAL KIT	4.000	2.000	25.30
RESC-4095570	SEAL KIT	4.000	2.250	33.53	RESC-435430	SEAL KIT	4.000	2.000	30.23
RESC-420885	SEAL KIT	3.500	1.500	21.78	RESC-435686	SEAL KIT	5.000	2.500	97.98
RESC-421446	SEAL KIT	4.000	2.000	26.69	RESC-435942	SEAL KIT	4.000	2.250	32.10
RESC-421461	SEAL KIT	5.000	2.000	69.93					

EUCLID

KITS

Ref. Number	Desc.	Bore	Rod	\$	Ref. Number	Desc.	Bore	Rod	\$
REUC-12568211	SEAL KIT	8.000	5.000	348.06	REUC-4030025	SEAL KIT	4, 6-1/2, 8 5-3/4, 7-3/4, 9.17		381.85
REUC-12568267	SEAL KIT	6, 8	4, 7	438.39	REUC-4030026	SEAL KIT	4, 6, 8-1/2	N/A	551.02
REUC-12568268	SEAL KIT	4.750	2.000	86.94	REUC-4046574	SEAL KIT	7,9,11	6,8,10	877.79
REUC-12568514	SEAL KIT	N/A	N/A	124.86	REUC-4047393	BACK UP	10.750	N/A	15.26
REUC-12569721	SEAL KIT	6.000	4.000	408.89	REUC-4047965	SEAL KIT	N/A	1.500	46.00
REUC-12573266	SEAL KIT	8.000	N/A	327.59	REUC-4051449	SEAL KIT	8.000	3.750	120.09
REUC-12577046	SEAL KIT	3.500	1.750	43.68	REUC-4057617	SEAL KIT	170.00	150.00	268.03
REUC-12586853	SEAL KIT	6.000	4.000	397.24	REUC-4061306	SEAL KIT	4,6	5,7	190.90
REUC-12586854	SEAL KIT	6, 8	4, 7	443.33	REUC-4087774	SEAL KIT	8.000	6.000	343.04
REUC-12586969	SEAL KIT	3.250	1.750	38.88	REUC-4087775	SEAL KIT	8.000	6.500	409.21
REUC-12587971	SEAL KIT	7, 9, 11	6, 8, 10	998.97	REUC-603323	SEAL KIT	5,7,9	4,6,8	395.27
REUC-12594016	SEAL KIT	10.500	9.000	1615.85	REUC-604324	SEAL KIT	6,8	5,7	222.73
REUC-12594922	SEAL KIT	N/A	N/A	363.11	REUC-616335	SEAL KIT	7.000	4.000	264.94
REUC-12598660	REPLACEMENT PART			1736.37	REUC-651361	SEAL KIT	4.000	2.000	156.63
REUC-12619822	SEAL KIT	5.500	2.250	237.69	REUC-651362	SEAL KIT	4.500	2.000	174.39
REUC-12623210	SEAL KIT	7, 9, 11	6, 8, 10	1826.49	REUC-651363	SEAL KIT	5.000	2.000	235.18
REUC-12977806	SEAL KIT	4, 6-1/2, 8-1/2 5-3/4, 7-3/4, 9.17		469.17	REUC-678387	SEAL KIT	3.000	1.500	43.22
REUC-12977806/HT	SEAL KIT	5-3/4, 7-3/4, 9.17	4, 6-1/2, 8-1/2	390.28	REUC-678388	SEAL KIT	3.500	1.500	151.46
REUC-12978008	SEAL KIT	5.000	2.000	75.53	REUC-9234037	ROD WIPER	N/A	9.750	62.12
REUC-3543533	SEAL KIT	5.000	2.000	76.53	REUC-E12590794	SEAL KIT		4, 6, 8	48.32
REUC-4011931	SEAL KIT	4, 6-1/2, 8 5-3/4, 7-3/4, 9.17		381.85	REUC-E12631739	SEAL KIT	4.000	2.000	1008.84
REUC-4026781	PISTON RING	11.000	N/A	150.75	REUC-E12631740	SEAL KIT	8.000	6.000	766.46
REUC-4026788	WEAR RING	11.000	N/A	42.27					

All manufacturer's names, part numbers and descriptions are used for reference purposes only. We do not imply that any part shown is the product of these manufacturers.

Remsa [KITS]

INDUSTRIAL
SEAL KITS

MOBILE
SEAL KITS



All manufacturer's names, part numbers and descriptions are used for reference purposes only. We do not imply that any part shown is the product of these manufacturers.

GROVE CRANE

CRANES - ROUGH TERRAIN

INDUSTRIAL
SEAL KITS

MOBILE
SEAL KITS

GROVE CRANE

Model	Application	Bore	Rod	I	Ref. Number RGC-	\$
				M		
RT58B, RT58C, RT58D	BOOM LIFT	8.250	3.625	I	9752100164	217.45
	BOOM TEL.CYLINDER	6.500	4.500	I	9752100232	136.31
	EXTENSION	7.000	3.625	I	9752100329	190.13
	STABILIZER	7.000	3.625	I	9752100329	190.13
	SWIVEL	7.500		I	9752100358	78.06
RT60S	BOOM LIFT	8.250	3.500	I	9752100027	46.42
	BOOM TEL.CYLINDER	4.000	3.000	I	9752100114	46.75
		5.000	3.625	I	9752100076	100.76
	EXTENSION	3.000	1.750	I	9752100072	51.39
	STABILIZER	5.000	3.625	I	9752100076	100.76
	SWIVEL	3.750		I	9752100303	36.23
		8.250		I	9752100302	239.57
RT515, RT518, RT525, RT527	BOOM LIFT	9.000	3.625	I	9752100199	226.39
	BOOM TEL.CYLINDER	6.500	5.000	I	9752100238	154.58
	EXTENSION	3.000	1.750	I	9752100072	51.39
	STABILIZER	5.500	4.000	I	9752100240	177.92
	SWIVEL	5.500		I	9752100312	68.90
			8.500		I	9752100311
CRANES - TRUCK MOUNTED						
TM150, TM155	EXTENSION	3.000	1.750	I	9752100072	51.39
		3.000	1.750	I	9752100019	26.23
	BOOM LIFT	8.250	3.625	I	9752100074	119.11
		8.250	3.500	I	9752100027	46.42
	BOOM TEL.CYLINDER	4.000	2.625	I	9752100035	42.88
		5.000	3.625	I	9752100034	55.57
TM180	STABILIZER	5.000	3.625	I	9752100008	48.60
	BOOM LIFT	8.500	3.500	I	9752100027	46.42
	BOOM TEL.CYLINDER	4.000	2.625	I	9752100075	69.84
		4.000	3.000	I	9752100114	46.75
		5.000	3.625	I	9752100076	100.76
	EXTENSION	3.000	1.750	I	9752100072	51.39
	STABILIZER	5.000	3.625	I	9752100076	100.76

All manufacturer's names, part numbers and descriptions are used for reference purposes only. We do not imply that any part shown is the product of these manufacturers.

Remsa [KITS]

CRANES - TRUCK MOUNTED

GROVE CRANE

Model	Application	Bore	Rod	I	Ref. Number RGC-	\$
				M		
TM250	BOOM LIFT	11.000	6.000	I	9752100029	182.23
	BOOM TEL.CYLINDER	7.000	5.500	I	9752100193	146.41
	EXTENSION	3.000	1.750	I	9752100072	51.39
	JACK	5.000	3.625	I	9752100229	147.35
	STABILIZER	5.000	3.625	I	9752100229	147.35
	SWIVEL	8.500		I	9752100306	106.51
			8.500		I	9752100314
TMS250EB	BOOM LIFT	11.000	6.000	I	9752100029	182.23
	BOOM TEL.CYLINDER	7.000	5.500	I	9752100193	146.41
	EXTENSION	2.500	1.500	I	9752100363	39.16
	JACK	5.000	3.625	I	9752100364	129.90
TMS275	STABILIZER	5.500	4.000	I	9752100387	163.38
	SWIVEL	8.500		I	9752100306	106.51
		8.500		I	9752100538	302.21
	BOOM LIFT	11.000	6.000	I	9752100029	182.23
TM300	BOOM TEL.CYLINDER	5.000	3.625	I	9752100076	100.76
	EXTENSION	3.000	1.750	I	9752100009	26.07
	STABILIZER	5.875	3.500	I	9372100153	61.58
	BOOM LIFT	8.250	6.500	I	9752100146	218.52
TM400	BOOM TEL.CYLINDER	5.500	4.500	I	9752100157	121.32
	EXTENSION	3.000	1.750	I	9752100072	51.39
	JACK	5.000	3.625	I	9752100229	147.35
TM475	STABILIZER	6.000	4.750	I	9752100162	118.57
	SWIVEL	8.500		I	9752100314	255.08
	BOOM LIFT	12.500	6.500	I	9752100039	185.79
	BOOM TEL.CYLINDER	5.000	3.625	I	9752100076	100.76
		6.000	4.500	I	9752100077	80.71
TM75	EXTENSION	3.000	1.750	I	9752100072	51.39
	STABILIZER	7.500	4.500	I	9576100048	44.35
	BOOM TEL.CYLINDER	5.500	4.500	I	9752100202	172.30
	EXTENSION	3.000	1.750	I	9752100072	51.39
TM300	JACK	5.000	3.625	I	9752100229	147.35
	STABILIZER	6.000	4.750	I	9752100162	118.57
	SWIVEL	8.500		I	9752100314	255.08

All manufacturer's names, part numbers and descriptions are used for reference purposes only. We do not imply that any part shown is the product of these manufacturers.

INDUSTRIAL
SEAL KITS

MOBILE
SEAL KITS

GROVE CRANE

GROVE CRANE

CRANES - TRUCK MOUNTED

INDUSTRIAL
SEAL KITS

MOBILE
SEAL KITS

GROVE CRANE

Model	Application	Bore	Rod	I	Ref. Number RGC-	\$
				M		
TM750E	BOOM TEL.CYLINDER	6.000	5.000	I	9752100293	207.44
	EXTENSION	3.000	1.750	I	9752100369	52.73
	JACK	5.000	3.625	I	9752100364	129.90
	STABILIZER	6.000	4.750	I	9752100163	111.94
	SWIVEL	5.500		I	9752100300	27.94
TM800 TM870E	BOOM EXTENSION	6.500	5.500	I	9752100090	132.02
	BOOM LIFT	10.000	7.000	I	9752100286	339.35
	EXTENSION	3.000	1.750	I	9752100072	51.39
	JACK	6.000	4.750	I	9752100163	111.94
	SWIVEL	5.500		I	9752100300	27.94
	STABILIZER	6.000	4.750	I	9752100163	111.94

GROVE CRANE

KIT LISTING

Ref. Number	Desc.	Bore	Rod	\$	Ref. Number	Desc.	Bore	Rod	\$
RGC-360006321	SEAL KIT	4.500	2.500	31.58	RGC-9752100076	SEAL KIT	5.000	3.625	100.76
RGC-6576000014	SEAL KIT	4.000	2.625	34.04	RGC-9752100077	SEAL KIT	6.000	4.500	80.71
RGC-9372100153	SEAL KIT	5.875	3.500	61.58	RGC-9752100078	SEAL KIT	6.000	2.625	67.53
RGC-9372100165	SEAL KIT	11.000	6.000	124.27	RGC-9752100079	SEAL KIT	5.000	2.625	84.47
RGC-9372101365	SEAL KIT	4.500	2.500	33.06	RGC-9752100081	SEAL KIT	7.000	3.625	112.97
RGC-9576000014	SEAL KIT	4.000	2.625	30.91	RGC-9752100082	SEAL KIT	7.000	2.625	107.83
RGC-9576100016	SEAL KIT	5.000	3.625	142.60	RGC-9752100083	SEAL KIT	6.000	3.625	104.77
RGC-9576100048	SEAL KIT	7.500	4.500	44.35	RGC-9752100085	SEAL KIT	4.000	2.000	57.03
RGC-9752100002	SEAL KIT	5.000	2.625	40.89	RGC-9752100090	SEAL KIT	6.500	5.500	132.02
RGC-9752100003	SEAL KIT	3.000	1.250	16.19	RGC-9752100111	SEAL KIT	6.000	4.750	122.99
RGC-9752100004	SEAL KIT	7.000	2.625	58.03	RGC-9752100112	SEAL KIT	7.000	5.500	149.57
RGC-9752100008	SEAL KIT	5.000	3.625	48.60	RGC-9752100114	SEAL KIT	4.000	3.000	46.75
RGC-9752100009	SEAL KIT	3.000	1.750	26.07	RGC-9752100115	EXTENSION LINE KIT	N/A	N/A	37.77
RGC-97521000164-OLE	SEAL KIT	8.250	3.625	232.14	RGC-9752100116	O-RING KIT	N/A	N/A	5.61
RGC-9752100019	SEAL KIT	3.000	1.750	26.23	RGC-9752100117	O-RING KIT	N/A	N/A	33.59
RGC-9752100027	SEAL KIT	8.250	3.500	46.42	RGC-9752100119	TUBE EXTENSION KIT	N/A	N/A	44.11
RGC-9752100029	SEAL KIT	11.000	6.000	182.23	RGC-9752100121	O-RING KIT	N/A	N/A	6.97
RGC-9752100032	SEAL KIT	4.000	2.625	36.04	RGC-9752100123	SEAL KIT	1.875	0.625	13.97
RGC-9752100034	SEAL KIT	5.000	3.625	55.57	RGC-9752100127	SEAL KIT	10.000	6.000	260.43
RGC-9752100035	SEAL KIT	4.000	2.625	42.88	RGC-9752100137	SEAL KIT	10.000	6.000	264.53
RGC-9752100039	SEAL KIT	12.500	6.500	185.79	RGC-9752100138	SEAL KIT	11.000	7.000	430.01
RGC-9752100072	SEAL KIT	3.000	1.750	51.39	RGC-9752100146	SEAL KIT	8.250	6.500	218.52
RGC-9752100074	SEAL KIT	8.250	3.625	119.11	RGC-9752100150	SEAL KIT	7.000	6.000	181.81
RGC-9752100075	SEAL KIT	4.000	2.625	69.84	RGC-9752100152	SEAL KIT	11.000	7.000	271.65

All manufacturer's names, part numbers and descriptions are used for reference purposes only. We do not imply that any part shown is the product of these manufacturers.

KIT LISTING

GROVE CRANE

Ref. Number	Desc.	Bore	Rod	\$	Ref. Number	Desc.	Bore	Rod	\$
RGC-9752100155	SEAL KIT	12.000	7.000	270.57	RGC-9752100301	SWIVEL KIT	8.500	N/A	220.73
RGC-9752100157	SEAL KIT	5.500	4.500	121.32	RGC-9752100302	SWIVEL KIT	8.250	N/A	239.57
RGC-9752100160	O-RING KIT	N/A	N/A	5.77	RGC-9752100303	SWIVEL KIT	3.750	N/A	36.23
RGC-9752100161	O-RING KIT	N/A	N/A	5.33	RGC-9752100306	SWIVEL KIT	8.500	N/A	106.51
RGC-9752100162	SEAL KIT	6.000	4.750	118.57	RGC-9752100307	SWIVEL KIT	8.500	N/A	184.26
RGC-9752100163	SEAL KIT	6.000	4.750	111.94	RGC-9752100311	SWIVEL KIT	8.500	N/A	155.01
RGC-9752100164	SEAL KIT	8.250	3.625	217.45	RGC-9752100312	SWIVEL KIT	5.500	N/A	68.90
RGC-9752100167	SEAL KIT	7.000	6.000	157.32	RGC-9752100314	SWIVEL KIT	8.500	N/A	255.08
RGC-9752100168	SEAL KIT	7.000	5.500	196.60	RGC-9752100324	SEAL KIT	3.000	1.750	62.08
RGC-9752100173	SEAL KIT	6.500	5.500	225.00	RGC-9752100328	VALVE KIT	N/A	N/A	8.78
RGC-9752100180	SEAL KIT	8.250	6.000	194.97	RGC-9752100329	SEAL KIT	7.000	3.625	190.13
RGC-9752100181	SEAL KIT	8.250	7.000	333.40	RGC-9752100345	SEAL KIT	5.500	4.500	137.48
RGC-9752100182	VALVE KIT	N/A	N/A	8.29	RGC-9752100358	SWIVEL KIT	7.500	N/A	78.06
RGC-9752100184	SEAL KIT	11.000	7.000	321.30	RGC-9752100361	SWIVEL KIT	7.000	N/A	107.94
RGC-9752100186	SEAL KIT	10.000	6.000	331.01	RGC-9752100363	SEAL KIT	2.500	1.500	39.16
RGC-9752100187	SEAL KIT	6.000	3.625	124.18	RGC-9752100364	SEAL KIT	5.000	3.625	129.90
RGC-9752100189	SEAL KIT	6.000	4.500	119.09	RGC-9752100369	SEAL KIT	3.000	1.750	52.73
RGC-9752100192	SEAL KIT	10.000	6.000	412.99	RGC-9752100377	SEAL KIT	4.500	3.000	87.49
RGC-9752100193	SEAL KIT	7.000	5.500	146.41	RGC-9752100385	SWIVEL KIT	5.500	N/A	69.70
RGC-9752100198	SEAL KIT	11.000	7.000	424.07	RGC-9752100387	SEAL KIT	5.500	4.000	163.38
RGC-9752100199	SEAL KIT	9.000	3.625	226.39	RGC-9752100391	Valve Kit	N/A	N/A	5.85
RGC-9752100202	SEAL KIT	5.500	4.500	172.30	RGC-9752100445	SEAL KIT	9.000	6.000	326.65
RGC-9752100229	SEAL KIT	5.000	3.625	147.35	RGC-9752100461	SEAL KIT	5.000	3.625	166.26
RGC-9752100232	SEAL KIT	6.500	4.500	136.31	RGC-9752100463	SEAL KIT	9.000	7.000	406.68
RGC-9752100234	SEAL KIT	6.000	4.500	137.14	RGC-9752100466	EXTENSION LINE KIT	N/A	N/A	45.63
RGC-9752100235	SEAL KIT	5.000	2.625	88.61	RGC-9752100467	SEAL KIT	7.000	3.625	206.98
RGC-9752100236	SEAL KIT	8.250	3.625	190.17	RGC-9752100468	SEAL KIT	5.000	3.625	152.86
RGC-9752100238	SEAL KIT	6.500	5.000	154.58	RGC-9752100470	SEAL KIT	8.250	5.000	264.67
RGC-9752100239	SEAL KIT	5.500	4.000	155.65	RGC-9752100475	SEAL KIT	9.000	7.000	351.73
RGC-9752100240	SEAL KIT	5.500	4.000	177.92	RGC-9752100477	SEAL KIT	5.500	3.000	116.29
RGC-9752100241	SEAL KIT	5.000	3.625	121.06	RGC-9752100491	SEAL KIT	8.250	3.625	191.49
RGC-9752100242	SEAL KIT	5.000	2.625	122.78	RGC-9752100498	EXTENSION LINE KIT	N/A	N/A	34.20
RGC-9752100243	SEAL KIT	7.000	5.500	254.76	RGC-9752100532	SEAL KIT	6.000	5.000	434.87
RGC-9752100267	O-RING KIT	N/A	N/A	3.90	RGC-9752100538	SWIVEL KIT	8.500	N/A	302.21
RGC-9752100286	SEAL KIT	10.000	7.000	339.35	RGC-9752100563	SWIVEL KIT	5.500	N/A	69.70
RGC-9752100290	SEAL KIT	9.000	6.000	321.15	RGC-9752100693	SEAL KIT	5.500	4.500	191.59
RGC-9752100293	SEAL KIT	6.000	5.000	207.44	RGC-9752100694	SEAL KIT	5.500	4.500	204.99
RGC-9752100298	SWIVEL KIT	7.500	N/A	128.42	RGC-9752100884	SEAL KIT	3.500	2.625	242.27
RGC-9752100299	SWIVEL KIT	6.000	N/A	68.37	RGC-9752101126	SWIVEL KIT	8.500	N/A	417.36
RGC-9752100300	SWIVEL KIT	5.500	N/A	27.94					

All manufacturer's names, part numbers and descriptions are used for reference purposes only. We do not imply that any part shown is the product of these manufacturers.

INDUSTRIAL SEAL KITS

MOBILE SEAL KITS

GROVE CRANE

Remsa [KITS]

KITS

HEIL

Ref. Number	Stages	Bore	Rod	\$	Ref. Number	Stages	Bore	Rod	\$
RHEI-K272/3334	SEAL KIT	5.000	3.500	62.98	RHEI-K272/674	SEAL KIT	4.000	2.000	38.22
RHEI-K272/3572	SEAL KIT	4.000	3.500	57.10	RHEI-K272/676	STAGES 2, 3, 4"			100.16
RHEI-K272/3581	SEAL KIT	5.500	4.000	52.50	RHEI-K272/677	SEAL KIT	2, 3, 4"		90.02
RHEI-K272/3582	SEAL KIT	4.000	2.000	42.62	RHEI-K272/8491	SEAL KIT	4.000	3.250	139.15
RHEI-K272/3583	SEAL KIT	5.000	3.500	70.57	RHEI-K272/933	STAGES 2, 3, 4, 5"			126.58
RHEI-K272/3584	SEAL KIT	4.500	2.500	57.79	RHEI-K272/934	STAGES 2, 3, 4"			92.46
RHEI-K272/3586	SEAL KIT	2.125	1.500	24.55	RHEI-K272/937	SEAL KIT	3.000	2.500	22.78
RHEI-K272/3588	STAGES 3, 4, 5"			410.02	RHEI-K272/938	SEAL KIT	4.000	3.500	28.60
RHEI-K272/3594	SEAL KIT	3.000	1.750	46.94	RHEI-K272/939	SEAL KIT	3.000	2.500	37.92
RHEI-K272/3595	SEAL KIT	4.000	2.000	141.53	RHEI-K272/941	SEAL KIT	5.500	2.750	102.33
RHEI-K272/3598	SEAL KIT	3.000	1.500	47.85	RHEI-K272/944	SEAL KIT	3.500	2.250	29.76
RHEI-K272/3600	STAGES 3, 4, 5"			543.47	RHEI-K272/945	SEAL KIT	4.500	2.000	35.91
RHEI-K272/3605	SEAL KIT	4.500	2.500	114.27	RHEI-K272/946	SEAL KIT	3.000	1.750	15.55
RHEI-K272/3607	SEAL KIT	5.500	4.000	164.26	RHEI-K272/948	SEAL KIT	5.000	2.500	105.26
RHEI-K272/3608	SEAL KIT	5.000	2.500	116.19	RHEI-K272/949	SEAL KIT	5.000	3.000	107.32
RHEI-K272/3609	SEAL KIT	5.500	3.500	175.35	RHEI-K272/950	SEAL KIT	4.500	3.000	71.10
RHEI-K272/3991	STAGES 4, 5, 6, 7"			356.34	RHEI-K272/951	SEAL KIT	7.500	2.500	58.93
RHEI-K272/4285	STAGES 4, 5, 6"			140.65	RHEI-K272/953	SEAL KIT	5.000	3.500	78.47
RHEI-K272/4456	SEAL KIT	6.000	2.000	63.29	RHEI-K272/954	SEAL KIT	5.500	3.500	44.13
RHEI-K272/4872	STAGES 3, 4, 5"			514.59	RHEI-K272/955	STAGES 2, 3-1/2"			103.87
RHEI-K272/4884	STAGES 3, 4, 5, 6"			513.89	RHEI-K272/956	SEAL KIT	4.000	2.500	59.48
RHEI-K272/4885	STAGES 3, 4, 5"			337.78	RHEI-K272/956A	SEAL KIT	4.000	2.500	59.48
RHEI-K272/4893	SEAL KIT	4.000	3.250	131.13	RHEI-K272/957	SEAL KIT	4.500	2.000	85.76
RHEI-K272/4932	STAGES 3-1/8, 4, 5"			133.46	RHEI-K272/957A	SEAL KIT	4.500	2.000	85.76
RHEI-K272/4933	STAGES 3-1/8, 4, 5"			116.46	RHEI-K272/958	SEAL KIT	2.500	1.500	29.33
RHEI-K272/4938	STAGES 4, 5, 6"			159.61	RHEI-K272/959	SEAL KIT	4.000	2.000	40.91
RHEI-K272/4939	STAGES 4, 5, 6"			177.94	RHEI-K272/962	SEAL KIT	3.000	1.500	41.80
RHEI-K272/659	STAGES 2, 3-1/2"			64.57	RHEI-K272/963	SEAL KIT	5.500	2.250	128.46
RHEI-K272/660	SEAL KIT	5.000	3.500	73.75	RHEI-K272/966	SEAL KIT	3.000	1.500	29.09
RHEI-K272/661	SEAL KIT	5.500	3.500	68.49	RHEI-K272/969	SEAL KIT	5.000	3.500	41.02
RHEI-K272/662	SEAL KIT	3.000	2.500	23.62	RHEI-K272/971	STAGES 3, 4"			141.18
RHEI-K272/6627	SEAL KIT	2.500	1.125	54.36	RHEI-K272/974	SEAL KIT	4.000	2.000	41.95
RHEI-K272/663	SEAL KIT	N/A	1.500	20.43	RHEI-K272/976	STAGES 4, 5, 6"			246.06
RHEI-K272/664	SEAL KIT	4.500	2.000	43.60	RHEI-K272/980	SEAL KIT	4.000	N/A	25.76
RHEI-K272/665	SEAL KIT	3.500	2.250	39.91	RHEI-K272/981	SEAL KIT	3.000	1.500	54.77
RHEI-K272/666	STAGES 2, 3, 4, 5"			132.97	RHEI-K272/983	SEAL KIT	4.500	4.000	81.42
RHEI-K272/667	SEAL KIT	5.500	2.750	69.95	RHEI-K272/989	SEAL KIT	5.500	4.000	59.87
RHEI-K272/668	SEAL KIT	5.000	3.500	64.90	RHEI-K272/994	SEAL KIT	6.000	4.000	45.02
RHEI-K272/669	SEAL KIT	4.000	3.500	25.60					
RHEI-K272/672	SEAL KIT	5.500	2.250	49.76					
RHEI-K272/673	SEAL KIT	3.000	1.500	35.45					

All manufacturer's names, part numbers and descriptions are used for reference purposes only. We do not imply that any part shown is the product of these manufacturers.

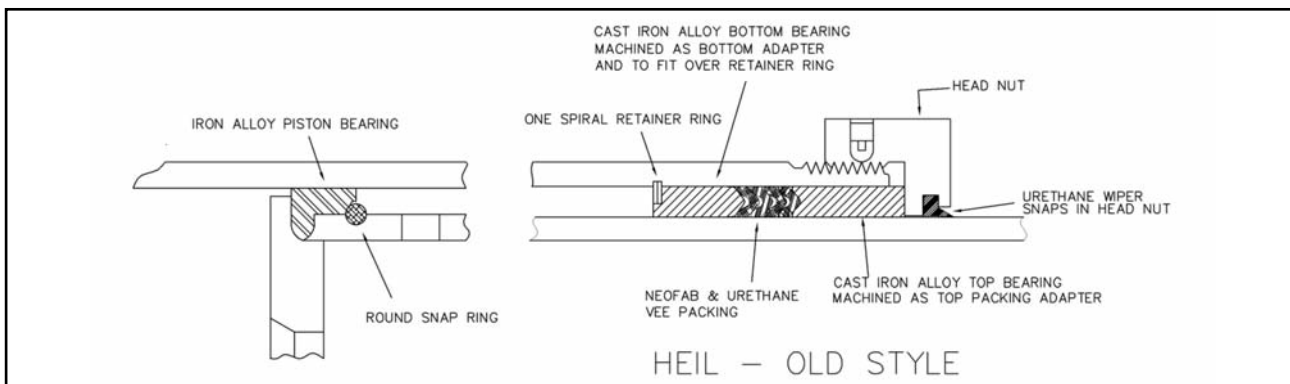
INDUSTRIAL SEAL KITS

MOBILE SEAL KITS

HEIL

HEIL

TELESCOPIC CYLINDERS OLD STYLE - SINGLE & DOUBLE ACTING



STAGE O.D.'S:	3.125" (0.187" C.S.), 4, 5, 6" (1/4" C.S.)
IDENTIFICATION:	METAL TAG ATTACHED TO CYLINDER BODY WITH MODEL/PART NUMBER
ROD WIPERS:	SOME CYLINDERS USE BRONZE WIPERS TRAPPED BETWEEN THE GLAND COLLAR AND THE TOP BEARING. SOME CYLINDERS USE "AN" WIPERS WHICH SNAP INTO A GROOVE IN THE GLAND COLLAR
BEARINGS:	CAST IRON THAT SERVE AS TOP AND BOTTOM ADAPTORS FOR VEE PACKING.
PACKING:	VEE PACKING WITH NO ADAPTORS
SPECIAL INFORMATION:	USES ONE SPIRAL TYPE RETAINER RING PER STAGE AS INTERNAL STOP. GLAND COLLARS HAVE 2 "EARS" CAST 180° APART.

V.Set & Wiper

Ref. Number	Desc.	\$
RHEI-26B2090/2A	2.000" STAGE - V.SET & WIPER	11.84
RHEI-26B2090/3A	3.000" STAGE - V.SET & WIPER	12.97
RHEI-26B2266/1A	3.125" STAGE - V.SET & WIPER	21.83
RHEI-26B2260/1A	4.000" STAGE - V.SET & WIPER	23.73
RHEI-26B2260/2A	5.000" STAGE - V.SET & WIPER	33.00
RHEI-26B2260/3A	6.000" STAGE - V.SET & WIPER	45.56

Retainer Rings

Ref. Number	Desc.	\$
RHEI-26A2083-1	2.000" STAGE - SPIRAL RETAINER	4.20
RHEI-26A2083-2	3.000" STAGE - SPIRAL RETAINER	7.76
RHEI-26A2240-1	3.125" STAGE - SPIRAL RETAINER	15.41
RHEI-26A2083-3	4.000" STAGE - SPIRAL RETAINER	8.63
RHEI-26A2083-4	5.000" STAGE - SPIRAL RETAINER	7.85
RHEI-26A2406-1	6.000" STAGE - SPIRAL RETAINER	22.40

Piston Rings (Double Acting)

Ref. Number	Desc.	\$
RHEI-26A2080	2.000" STAGE - PISTON RING	9.26
RHEI-26A2081	3.000" STAGE - PISTON RING	9.75
RHEI-26A2082	4.000" STAGE - PISTON RING	11.06
RHEI-26B2221	5.000" STAGE - PISTON RING	15.24

INDUSTRIAL
SEAL KITS

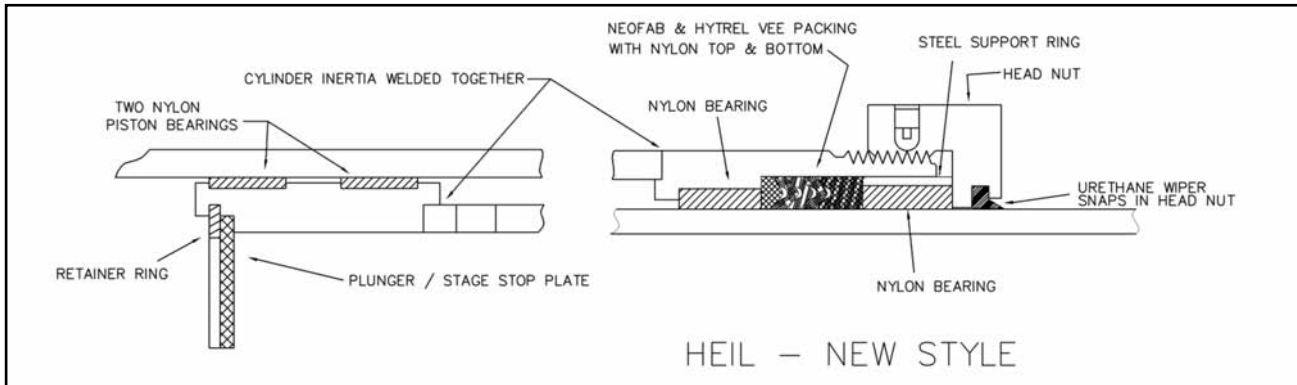
MOBILE
SEAL KITS

HEIL

All manufacturer's names, part numbers and descriptions are used for reference purposes only. We do not imply that any part shown is the product of these manufacturers.

DUMP TRUCK CYLINDERS NEW STYLE HPT - SINGLE ACTING - VEE PACKINGS

HEIL



STAGE O.D.'S: 3.125, 4, 5, 6"
 IDENTIFICATION: METAL TAG ATTACHED TO CYLINDER BODY WITH MODEL/PART NUMBER
 ROD WIPERS: "AN" STYLE
 BEARINGS: SPLIT 0.125" THICK NYLON WEAR RINGS.
 PACKING: VEE PACKING WITH NYLON TOP AND BOTTOM ADAPTORS.
 SPECIAL INFORMATION: HAS WELDED STOP IN GLAND. CYLINDER DISSEMBLES BY REMOVING LARGE TRU-ARC TYPE SNAP RING WHICH RETAINS THE CYLINDER BASE AND BOTTOM OF EACH STAGE.

V.set & Wiper

Ref. Number	Desc.	\$
RHEI-K272/1024	3-1/8, 4, 5" STAGES - V.SETS & WIPERS	65.48
RHEI-K272/1026	4, 5, 6" STAGES - V.SETS & WIPERS	82.84
RHEI-K272/1027	4, 5, 6" STAGES - V.SETS, WIPERS & BEARINGS	117.32

Bearings Lower

Ref. Number	Desc.	\$
RHEI-26/4395/1	3.500" OD. - LOWER WEAR RING	5.28
RHEI-26/4395/2	4.500" OD. - LOWER WEAR RING	4.27
RHEI-26/4395/3	5.500" OD. - LOWER WEAR RING	4.46
RHEI-26/4176/4	6.500" OD. - LOWER WEAR RING	5.14

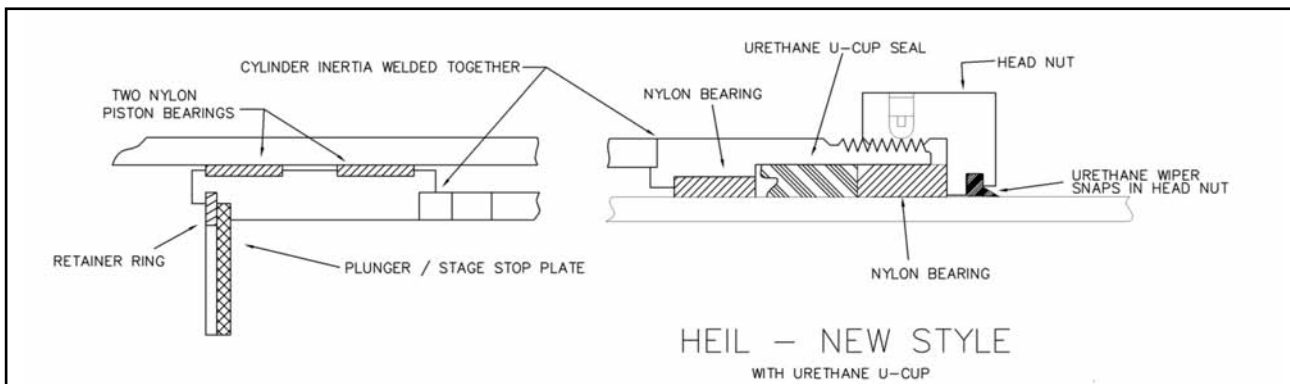
Bearing - Upper

Ref. Number	Desc.	\$
RHEI-26/4394/1	3.125" ID. - UPPER WEAR RING	5.23
RHEI-26/4394/2	4.000" ID. - UPPER WEAR RING	4.37
RHEI-26/4157/3	5.000" ID. - UPPER WEAR RING	4.37
RHEI-26/4157/4	6.000" ID. - UPPER WEAR RING	4.81

All manufacturer's names, part numbers and descriptions are used for reference purposes only. We do not imply that any part shown is the product of these manufacturers.

HEIL

DUMP TRUCK CYLINDERS NEW STYLE HPT - SINGLE ACTING - U SEALS



STAGE O.D.'S:	3.125, 4, 5, 6"
IDENTIFICATION:	METAL TAG ATTACHED TO CYLINDER BODY WITH MODEL/PART NUMBER
ROD WIPERS:	"AN" STYLE
BEARINGS:	NYLON BEARINGS ABOVE AND BELOW U-SEAL
PACKING:	URETHANE U-SEALS
SPECIAL INFORMATION:	HAS WELDED STOP IN GLAND. CYLINDER DISSEMBLES BY REMOVING LARGE TRU-ARC TYPE SNAP RING WHICH RETAINS THE CYLINDER BASE AND BOTTOM OF EACH STAGE.

KITS

Ref. Number	Desc.	\$
RHEI-K272/4932	3-1/8, 4, 5" STAGES - U SEALS, WIPERS & GLAND BEARINGS	133.46
RHEI-K272/4938	4, 5, 6" STAGES - U SEALS, WIPERS & GLAND BEARINGS	159.61
RHEI-K272/4939	4, 5, 6" STAGES - U SEALS, WIPERS & BEARINGS	177.94

INDUSTRIAL
SEAL KITS

MOBILE
SEAL KITS

HEIL

All manufacturer's names, part numbers and descriptions are used for reference purposes only. We do not imply that any part shown is the product of these manufacturers.

Remsa [KITS]

CRANES

HIAB

Model	Application	Serial Number	Cylinder Group	Bore	Rod	I	Ref. Number RHIA-	\$	
						M			
45	EXTENSION - 1ST			65.00	40.00	M	542121	45.48	
	EXTENSION - 2ND & 3RD.			50.00	30.00	M	542130	41.16	
	BOOM - INNER			90.00	50.00	M	542105	50.68	
	OUTRIGGER - LONG			70.00	50.00	M	542156	59.30	
	BOOM - OUTER			90.00	50.00	M	542113	50.68	
	SWING			PISTON KIT	100.00		M	542148	82.88
70	EXTENSION - BOOM	2 STAGE TEL. - CYL. AW		60.00	33.00	M	330/0897	27.99	
				60, 92	35, 80	M	330/0731	135.87	
	BOOM - INNER			125.00	90.00	M	330/0871	132.63	
	BOOM - OUTER			100.00	70.00	M	330/0889	75.76	
71	EXTENSION - BOOM	2 STAGES TEL. 2 STAGES TEL.	3478379 3501515 3400441 3509052 3554589 3300889 3502414	80.00	50.00	M	330/1044	39.73	
				80.00	50.00	M	330/1044	39.73	
				60, 92	35, 80	M	330/0731	135.87	
				60, 92	35, 80	M	330/0731	135.87	
	BOOM - INNER			3554589	125.00	90.00	M	330/0871	132.63
	BOOM - OUTER			3300889	100.00	70.00	M	330/0889	75.76
	OUTRIGGER			3502414	90.00	70.00	M	330/1028	44.37
100	EXTENSION - BOOM	CYL. A		70.00	45.00	M	330/0714	42.71	
	BOOM - INNER			125.00	80.00	M	330/0692	72.41	
120	EXTENSION - BOOM	UPDATED VERSION		63.00	45.00	M	330/1311	34.97	
	BOOM - OUTER			125.00	90.00	M	330/1303	95.32	
140	EXTENSION - BOOM	2-STAGE TEL. - CYL. AW CYL. AWV		80.00	50.00	M	330/1044	39.73	
				70, 105	40, 90	M	330/0668	137.60	
				60.00	33.00	M	330/1001	25.68	
	BOOM - INNER			140.00	80.00	M	330/1036	108.72	
	BOOM - OUTER			140.00	80.00	M	330/1036	108.72	
175	EXTENSION - BOOM		3616819 3622100 3608603	70.00	45.00	M	330/1583	51.14	
				70.00	45.00	M	330/1583	51.14	
				63.00	40.00	M	330/1613	44.57	
	EXTENSION	LEG	3625681 3583872 3625745 3561330 3592774 3531031 3594769	63.00	40.00	M	330/1613	44.57	
	BOOM - INNER			40.00	25.00	M	330/1052	65.19	
				160.00	100.00	M	330/1443	135.45	
				140.00	100.00	M	330/1290	78.29	
	BOOM - OUTER			140.00	100.00	M	330/1290	78.29	
	OUTRIGGER			90.00	70.00	M	330/1028	44.37	
				90.00	70.00	M	330/1028	44.37	
			3592774	90.00	70.00	M	330/1028	44.37	
			3531031	90.00	70.00	M	330/1028	44.37	
			3594769	90.00	70.00	M	330/1028	44.37	

All manufacturer's names, part numbers and descriptions are used for reference purposes only. We do not imply that any part shown is the product of these manufacturers.

INDUSTRIAL SEAL KITS

MOBILE SEAL KITS

HIAB

HIAB

CRANES

INDUSTRIAL
SEAL KITS

MOBILE
SEAL KITS

HIAB

Model	Application	Serial Number	Cylinder Group	Bore	Rod	I	Ref. Number RHIA-	\$
						M		
650	BOOM - INNER	TO 65450		160.00	140.00	M	330/0218	68.95
		90001-UP		140.00	100.00	M	330/0749	75.46
				140.00	100.00	M	330/0501	73.79
	EXTENSION - BOOM	TO 65450	3155528	160.00	140.00	M	330/0218	68.95
				60.00	33.00	M	330/1001	25.68
		2 STAGE TEL. - CYL. AW		65, 100	32, 85	M	330/0633	101.01
		650/1 - 2 STAGE TEL. - CYL. AW		60, 92	35, 80	M	330/0731	135.87
EXTENSION - BOOM EXTENSION - D.Boom		3088031	60.00	33.00	M	330/1001	25.68	
	6216765, 3402746		65, 100	32, 85	M	330/0633	101.01	
	3411172, 3199622		65, 100	32, 85	M	330/0633	101.01	
	3080005, 3419258		60, 92	35, 80	M	330/0731	135.87	
670	BOOM - D.A. INNER	90001-UP	3099199	140.00	100.00	M	330/0749	75.46
			3051919	140.00	100.00	M	330/0501	73.79
			3091919	140.00	100.00	M	330/0501	73.79
	EXTENSION - BOOM EXTENSION - BOOM EXTENSION BOOM - MAIN SLEW CYLINDER			140.00	63.00	M	622/1661	76.04
		2 STAGES TEL.		70, 105	32, 90	M	622/2170	157.09
				63.00	40.00	M	622/1149	38.73
				125.00	63.00	M	622/1599	56.82
985	EXTENSION - 1ST EXTENSION - 2ND	2 STAGES TEL.		70.00	45.00	M	330/0714	42.71
				60, 92	35, 80	M	330/0731	135.87
1165	EXTENSION - 3RD EXTENSION - AH			60.00	33.00	M	330/0595	35.33
				70.00	45.00	M	330/0714	42.71
	BOOM - INNER			125.00	80.00	M	330/0692	72.41
	BOOM - OUTER			125.00	80.00	M	330/0692	72.41
	BOOM - INNER BOOM - OUTER			140.00 140.00	80.00 80.00	M M	622/1688 622/1688	83.26 83.26
1165/1	BOOM - INNER BOOM - OUTER	(TO 1977) 2 STAGE TEL. - CYL. AW		140.00	80.00	M	330/1036	108.72
				140.00	80.00	M	330/1036	108.72
	EXTENSION - BOOM			80.00	50.00	M	330/1044	39.73
				70, 105	40, 90	M	330/0668	137.60
1165/2	BOOM - INNER BOOM - OUTER		3445038	140.00	80.00	M	622/1688	83.26
			3445852	140.00	80.00	M	622/1688	83.26
1770	EXTENSION - BOOM			80.00	50.00	M	330/1044	39.73
			2 STAGE TEL. - CYL. AW		70, 105	40, 90	M	330/0668
	BOOM - INNER			125.00	80.00	M	872/8330	68.77
	BOOM - OUTER OUTRIGGER		13 TON LEG		180.00 110.00	100.00 90.00	M M	872/8348 330/0773

All manufacturer's names, part numbers and descriptions are used for reference purposes only. We do not imply that any part shown is the product of these manufacturers.

Remsa [KITS]

CRANES

HIAB

Model	Application	Serial Number	Cylinder Group	Bore	Rod	I	Ref. Number RHIA-	\$
						M		
2640	BOOM - INNER			140.00	100.00	M	872/8038	77.01
	BOOM - OUTER			140.00	100.00	M	872/8038	77.01
	EXTENSION - BOOM			100.00	63.00	M	330/0641	56.20

KIT LISTING

HIAB

Ref. Number	Desc.	Bore	Rod	\$	Ref. Number	Desc.	Bore	Rod	\$
RHIA-121039	SEAL KIT	110.00	63.00	59.41	RHIA-330/1311	SEAL KIT	63.00	45.00	34.97
RHIA-330/0218	SEAL KIT	160.00	140.00	68.95	RHIA-330/1320	SEAL KIT	63.00	40.00	39.19
RHIA-330/0307	SEAL KIT	105.00	55.00	103.85	RHIA-330/1443	SEAL KIT	160.00	100.00	135.45
RHIA-330/0315	SEAL KIT	100.00		79.75	RHIA-330/1583	SEAL KIT	70.00	45.00	51.14
RHIA-330/0498	SEAL KIT	105.00		88.24	RHIA-330/1613	SEAL KIT	63.00	40.00	44.57
RHIA-330/0501	SEAL KIT	140.00	100.00	73.79	RHIA-542105	SEAL KIT	90.00	50.00	50.68
RHIA-330/0528	SEAL KIT	105.00		90.20	RHIA-542113	SEAL KIT	90.00	50.00	50.68
RHIA-330/0595	SEAL KIT	60.00	33.00	35.33	RHIA-542121	SEAL KIT	55.00	40.00	45.48
RHIA-330/0625	SEAL KIT		78.00	30.33	RHIA-542130	SEAL KIT	50.00	30.00	41.16
RHIA-330/0633	SEAL KIT	65, 100	32, 85	101.01	RHIA-542148	SEAL KIT	100.00		82.88
RHIA-330/0641	SEAL KIT	100.00	63.00	56.20	RHIA-542156	SEAL KIT	70.00	50.00	59.30
RHIA-330/0668	SEAL KIT	70, 105	40, 90	137.60	RHIA-607/2267	SEAL KIT	85.00	74.00	36.46
RHIA-330/0692	SEAL KIT	125.00	80.00	72.41	RHIA-622/1149	SEAL KIT	63.00	40.00	38.73
RHIA-330/0714	SEAL KIT	70.00	45.00	42.71	RHIA-622/1599	SEAL KIT	125.00	63.00	56.82
RHIA-330/0731	SEAL KIT	60, 92	35, 80	135.87	RHIA-622/1661	SEAL KIT	140.00	63.00	76.04
RHIA-330/0749	SEAL KIT	140.00	100.00	75.46	RHIA-622/1670	SEAL KIT	140.00	70.00	80.57
RHIA-330/0773	SEAL KIT	110.00	90.00	71.56	RHIA-622/1688	SEAL KIT	140.00	80.00	83.26
RHIA-330/0871	SEAL KIT	125.00	90.00	132.63	RHIA-622/2170	SEAL KIT	70, 105	32, 90	157.09
RHIA-330/0889	SEAL KIT	100.00	70.00	75.76	RHIA-711/4659	SEAL KIT	110.00	50.00	76.87
RHIA-330/0897	SEAL KIT	60.00	33.00	27.99	RHIA-711/4660	SEAL KIT	50.00	30.00	29.17
RHIA-330/0951	SEAL KIT	180.00	100.00	97.53	RHIA-711/5366	SEAL KIT	140.00	80.00	90.08
RHIA-330/1001	SEAL KIT	60.00	33.00	25.68	RHIA-711/5834	SEAL KIT	70.00	30.00	39.20
RHIA-330/1028	SEAL KIT	90.00	70.00	44.37	RHIA-712/4173	SEAL KIT	180.00	100.00	223.60
RHIA-330/1036	SEAL KIT	140.00	80.00	108.72	RHIA-712/4174	SEAL KIT	90.00	50.00	91.67
RHIA-330/1044	SEAL KIT	80.00	50.00	39.73	RHIA-825/2050	SEAL KIT	80.00	45.00	45.11
RHIA-330/1052	SEAL KIT	40.00	25.00	65.19	RHIA-872/8038	SEAL KIT	140.00	100.00	77.01
RHIA-330/1061	SEAL KIT	125.00	70.00	64.76	RHIA-872/8046	SEAL KIT	140.00	100.00	100.12
RHIA-330/1231	SEAL KIT	160.00	90.00	97.05	RHIA-872/8330	SEAL KIT	125.00	80.00	68.77
RHIA-330/1249	SEAL KIT	70.00	40.00	43.88	RHIA-872/8348	SEAL KIT	180.00	100.00	106.15
RHIA-330/1290	SEAL KIT	140.00	100.00	78.29	RHIA-872/8356	SEAL KIT	80.00	50.00	43.26
RHIA-330/1303	SEAL KIT	125.00	90.00	95.32	RHIA-995/0621	SEAL KIT	100.00		39.69
					RHIA-995/9122	SEAL KIT	100.00		43.17

All manufacturer's names, part numbers and descriptions are used for reference purposes only. We do not imply that any part shown is the product of these manufacturers.

INDUSTRIAL SEAL KITS

MOBILE SEAL KITS

HIAB

Original equipment Hitachi kits do not include the wear rings required to rebuild a cylinder.
The Hitachi kits listed in this catalog do include these wear rings.

C/W KIT = Comes with Kit

INDUSTRIAL
SEAL KITS

MOBILE
SEAL KITS

HITACHI

HITACHI

EXCAVATORS

Model	Application	Component	Cylinder Group	Serial Number	Bore	Rod	Ref. Number RHIT-	\$	
EX60	ARM	SEAL KIT	4194433	10001-UP	100.00	60.00	4217003	144.96	
		PISTON W.RING			100.00		4S00154	C/W KIT	
		ROD BUSHING					0331004	18.53	
	BOOM	SEAL KIT	4194432	10001-UP	115.00	65.00	4217002	151.86	
		PISTON W.RING			115.00		0225620	C/W KIT	
		ROD BUSHING					0330904	23.08	
	BOOM ARM (OFFSET)	SEAL KIT	4215548	10001-UP	100.00	60.00	4217003	144.96	
		PISTON W.RING			100.00		4S00154	C/W KIT	
		ROD BUSHING					0331004	18.53	
	BOOM (SHORT REACH)	SEAL KIT	4225928	10001-UP	115.00	65.00	4217002	151.86	
		PISTON W.RING			115.00		0225620	C/W KIT	
		ROD BUSHING					0330904	23.08	
BUCKET	BUCKET	SEAL KIT	4194434	10001-UP	90.00	55.00	4217004	124.59	
		PISTON W.RING			90.00		4S00151	C/W KIT	
		ROD BUSHING					4004676	16.49	
	BUCKET (SHORT REACH)	SEAL KIT	4225930	10001-UP	90.00	55.00	4217004	124.59	
		PISTON W.RING			90.00		4S00151	C/W KIT	
		ROD BUSHING					4004676	16.49	
	BLADE	SEAL KIT	4213543	10001-UP	90.00	55.00	4217004	124.59	
		PISTON W.RING			90.00		4S00151	C/W KIT	
		ROD BUSHING					4004676	16.49	
	EX60-2, EX60-3	ARM	SEAL KIT	4272844	30001-UP	95.00	65.00	4369718	265.64
			PISTON W.RING			95.00		4S00153	C/W KIT
			ROD BUSHING					0444706	20.30
ARM (SHORT REACH)		SEAL KIT	4317388	30001-UP	100.00	65.00	4369719	268.16	
		PISTON W.RING			100.00		4S00154	C/W KIT	
		ROD BUSHING					0444706	20.30	
ARM (OFFSET BOOM)	SEAL KIT	4295802	30001-UP	95.00	65.00	4369718	265.64		
	PISTON W.RING			95.00		4S00153	C/W KIT		
	ROD BUSHING					0444706	20.30		
	BOOM (OFFSET)	SEAL KIT	4290916	30001-UP	110.00	65.00	4369717	401.46	
		PISTON W.RING			110.00		0333209	C/W KIT	
		ROD BUSHING					0444706	20.30	
	BUCKET	SEAL KIT	4272845	30001-UP	95.00	65.00	4369718	265.64	
		PISTON W.RING			95.00		0453512	C/W KIT	
		ROD BUSHING					0444609	C/W KIT	
BUCKET (SHORT REACH)	BUCKET (SHORT REACH)	PISTON W.RING	4317389	30001-UP	95.00	65.00	0453507	20.30	
		ROD BUSHING			85.00		4369716	265.64	
		SEAL KIT			85.00		4117955	C/W KIT	
	BUCKET (SHORT REACH)	PISTON W.RING	85.00	4117954	C/W KIT				
		ROD BUSHING		4004676	16.49				
		SEAL KIT							

All manufacturer's names, part numbers and descriptions are used for reference purposes only. We do not imply that any part shown is the product of these manufacturers.

Remsa [KITS]

Original equipment Hitachi kits do not include the wear rings required to rebuild a cylinder.
The Hitachi kits listed in this catalog do include these wear rings.

EXCAVATORS

HITACHI

Model	Application	Component	Cylinder Group	Serial Number	Bore	Rod	Ref. Number RHIT-	\$
EX60-5, EX80-5	ARM (MONO BOOM)	SEAL KIT	4374946	050001-UP	95.00	65.00	4369718	265.64
		PISTON W.RING			95.00		4S00153	C/W KIT
		ROD BUSHING				65.00	0444706	20.30
	ARM (OFFSET BOOM)	SEAL KIT	4388224	050001-UP	95.00	65.00	4415584	143.31
		PISTON W.RING			95.00		4S00153	C/W KIT
		ROD BUSHING				65.00	0444706	20.30
	BUCKET	SEAL KIT	4374947	050001-UP	85.00	55.00	4369716	265.64
		PISTON W.RING			85.00		0453511	C/W KIT
		ROD BUSHING				55.00	4004676	16.49
EX100	OFFSET CYL.	SEAL KIT	4388223	050001-UP	110.00	65.00	4415585	407.60
		PISTON W.RING			110.00		0333209	C/W KIT
		ROD BUSHING				65.00	0444706	20.30
	ARM	SEAL KIT	4206335	20001-UP	105.00	75.00	4206343P	134.11
		PISTON W.RING			105.00		4S00139	C/W KIT
		PISTON W.RING			105.00		4S00155	C/W KIT
	BOOM	ROD BUSHING				75.00	0310504	21.52
		SEAL KIT	4206334 R	20001-UP	95.00	70.00	4206340P	143.25
		PISTON W.RING	4206457 L		95.00		4S00138	C/W KIT
PISTON W.RING				95.00		4S00152	C/W KIT	
ROD BUSHING					70.00	0310304	19.45	
BUCKET		SEAL KIT	4206336	20001-UP	95.00	65.00	4206345P	141.37
EX100-2	BUCKET	PISTON W.RING			95.00		4S00138	C/W KIT
		PISTON W.RING			95.00		4S00152	C/W KIT
		ROD BUSHING				65.00	0310604	17.23
	ARM	SEAL KIT	4286746	30001-UP	105.00	75.00	4369889	163.99
		PISTON W.RING			105.00		0409608	C/W KIT
		PISTON W.RING			105.00		4S00155	C/W KIT
	BOOM	ROD BUSHING				75.00	0310504	21.52
		SEAL KIT	4286740 R	30001-UP	95.00	70.00	4369770	139.57
		PISTON W.RING	4286744 L		95.00		4S00138	C/W KIT
		PISTON W.RING			95.00		4S00152	C/W KIT
		ROD BUSHING				70.00	0310304	19.45
		BUCKET	SEAL KIT	4286736	30001-UP	95.00	65.00	4369766
	BUCKET	PISTON W.RING			95.00		4S00138	C/W KIT
		PISTON W.RING			95.00		4S00152	C/W KIT
		ROD BUSHING				65.00	0310604	17.23
	CLAMSHELL	SEAL KIT	4288744	30001-UP	115.00	75.00	4323935	217.16
		PISTON W.RING			115.00		4S00141	C/W KIT
		PISTON W.RING			115.00		4S00157	C/W KIT
	ROD BUSHING				75.00	0310504	21.52	

All manufacturer's names, part numbers and descriptions are used for reference purposes only. We do not imply that any part shown is the product of these manufacturers.

INDUSTRIAL SEAL KITS

MOBILE SEAL KITS

HITACHI

Original equipment Hitachi kits do not include the wear rings required to rebuild a cylinder.
The Hitachi kits listed in this catalog do include these wear rings.

HITACHI

EXCAVATORS

Model	Application	Component	Cylinder Group	Serial Number	Bore	Rod	Ref. Number RHIT-	\$		
EX100-3	ARM	SEAL KIT	4286746	35001-UP	105.00	75.00	4369889	163.99		
		PISTON W.RING			105.00		0409608	C/W KIT		
		PISTON W.RING			105.00		4S00155	C/W KIT		
	ARM OFF SET BOOM	ROD BUSHING	4332717	35001-UP		75.00	0310504	21.52		
		SEAL KIT			105.00	75.00	4369889	163.99		
		PISTON W.RING			105.00	0409608	C/W KIT			
		PISTON W.RING			105.00	4S00155	C/W KIT			
		ROD BUSHING				75.00	0310504	21.52		
		SEAL KIT			4286740 R	35001-UP	95.00	70.00	4369770	139.57
	BUCKET	PISTON W.RING	4286744 L	35001-UP		95.00	4S00138	C/W KIT		
PISTON W.RING		95.00			4S00152	C/W KIT				
ROD BUSHING					70.00	0310304	19.45			
SEAL KIT		4286736			95.00	65.00	4369766	146.74		
PISTON W.RING		95.00			4S00138	C/W KIT				
PISTON W.RING		95.00			4S00152	C/W KIT				
BUCKET OFF SET BOOM	ROD BUSHING	4332718	35001-UP		65.00	0310604	17.23			
	SEAL KIT			110.00	70.00	4369771	171.22			
	PISTON W.RING			110.00	4S00140	C/W KIT				
	PISTON W.RING			110.00	4S00156	C/W KIT				
	ROD BUSHING				70.00	0310304	19.45			
	SEAL KIT			4288744	35001-UP	115.00	75.00	4323935	217.16	
EX100-5	ARM	PISTON W.RING	4314895	01001-UP	115.00	75.00	4S00141	C/W KIT		
		PISTON W.RING			115.00		4S00157	C/W KIT		
		ROD BUSHING					75.00	0310504	21.52	
	BOOM	SEAL KIT	4312228 R 4312229 L	01001-UP	105.00	75.00	4379261	165.83		
		PISTON W.RING			105.00	0666808	C/W KIT			
		PISTON W.RING			105.00	4S00155	C/W KIT			
		ROD BUSHING				75.00	0310504	21.52		
		SEAL KIT			4312228 R	01001-UP	95.00	70.00	4379260	174.47
		PISTON W.RING			4312229 L	95.00	0667108	C/W KIT		
	BUCKET	PISTON W.RING	4316457	01001-UP	95.00	70.00	4S00152	C/W KIT		
PISTON W.RING		95.00			4S00152		C/W KIT			
PISTON W.RING		95.00			4S00152		C/W KIT			
ROD BUSHING					65.00		0310604	17.23		
SEAL KIT		4288744			01001-UP		115.00	75.00	4323935	217.16
PISTON W.RING		115.00			4S00141		C/W KIT			
CLAMSHELL	PISTON W.RING	4288744	01001-UP	115.00	75.00	4S00141	C/W KIT			
	ROD BUSHING			115.00		4S00157	C/W KIT			
					75.00	0310504	21.52			

All manufacturer's names, part numbers and descriptions are used for reference purposes only. We do not imply that any part shown is the product of these manufacturers.

Remsa [KITS]

Original equipment Hitachi kits do not include the wear rings required to rebuild a cylinder.
The Hitachi kits listed in this catalog do include these wear rings.

EXCAVATORS

HITACHI

Model	Application	Component	Cylinder Group	Serial Number	Bore	Rod	Ref. Number RHIT-	\$	
EX110-5	ARM	SEAL KIT	4314899	N/A	105.00	75.00	4379261	165.83	
		PISTON W.RING			105.00		0666808	C/W KIT	
		PISTON W.RING			105.00		4S00155	C/W KIT	
	BOOM	ROD BUSHING	4312228 R 4312229 L	N/A	95.00	70.00	0310504	21.52	
		SEAL KIT					95.00	4379260	174.47
		PISTON W.RING					95.00	0667108	C/W KIT
	BUCKET	PISTON W.RING	4316457	N/A	95.00	65.00	4S00152	C/W KIT	
		ROD BUSHING					70.00	0310304	19.45
		SEAL KIT					95.00	4369766	146.74
ZX110	ARM	PISTON W.RING	4428440	010001-UP	95.00	75.00	4094086	C/W KIT	
		PISTON W.RING			95.00		4065687	C/W KIT	
		ROD BUSHING			65.00		0310604	17.23	
	BUCKET	SEAL KIT	4428441	010001-UP	105.00	75.00	4448393	161.43	
		PISTON W.RING			105.00		0666808	C/W KIT	
		PISTON W.RING			105.00		4S00155	C/W KIT	
		ROD BUSHING			75.00		0310504	21.52	
		SEAL KIT			95.00		4448394	176.72	
		PISTON W.RING			95.00		0667108	C/W KIT	
PISTON W.RING	95.00	4S00152	C/W KIT						
ROD BUSHING	65.00	0310604	17.23						
EX120, EX120-1	ARM	SEAL KIT	4206338	15001-UP	115.00	80.00	4369893P	183.74	
		PISTON W.RING			115.00		4S00141	C/W KIT	
		PISTON W.RING			115.00		4S00157	C/W KIT	
	BOOM	ROD BUSHING	4206337 R 4206458 L	15001-UP	105.00	75.00	0309304	24.80	
		SEAL KIT					105.00	4206343P	134.11
		PISTON W.RING					105.00	4S00139	C/W KIT
	BUCKET	PISTON W.RING	4206339	15001-UP	95.00	65.00	4S00155	C/W KIT	
		ROD BUSHING					75.00	0310504	21.52
		SEAL KIT					95.00	4206345P	141.37
PISTON W.RING		95.00					4S00138	C/W KIT	
PISTON W.RING		95.00					4S00152	C/W KIT	
ROD BUSHING		65.00					0310604	17.23	
EX120-2	ARM	SEAL KIT	4286460	30001-UP	110.00	80.00	4369892	154.26	
		PISTON W.RING			110.00		0409009	C/W KIT	
		PISTON W.RING			110.00		4S00156	C/W KIT	
	BOOM	ROD BUSHING	4286454 R 4286457 L	30001-UP	105.00	70.00	0309304	24.80	
		SEAL KIT					105.00	4369772	182.62
		PISTON W.RING					105.00	4S00139	C/W KIT
	BUCKET	PISTON W.RING	4286736	30001-UP	95.00	65.00	4S00155	C/W KIT	
		ROD BUSHING					70.00	0310304	19.45
		SEAL KIT					95.00	4286739	153.35
PISTON W.RING	95.00	4S00138	C/W KIT						

All manufacturer's names, part numbers and descriptions are used for reference purposes only. We do not imply that any part shown is the product of these manufacturers.

INDUSTRIAL SEAL KITS

MOBILE SEAL KITS

HITACHI

Original equipment Hitachi kits do not include the wear rings required to rebuild a cylinder.
The Hitachi kits listed in this catalog do include these wear rings.

HITACHI

EXCAVATORS

INDUSTRIAL
SEAL KITS

MOBILE
SEAL KITS

HITACHI

Model	Application	Component	Cylinder Group	Serial Number	Bore	Rod	Ref. Number RHIT-	\$
		PISTON W.RING ROD BUSHING			95.00	65.00	4S00152 0310604	C/W KIT 17.23 C/W KIT
EX120-3	ARM	SEAL KIT	4286460	40001-UP	110.00	80.00	4369892	154.26
		PISTON W.RING			110.00		0409009	C/W KIT
		PISTON W.RING			110.00		4S00156	C/W KIT
	BOOM	ROD BUSHING				80.00	0309304	24.80
		SEAL KIT	4286454 R	40001-UP	105.00	70.00	4369772	182.62
	BUCKET	PISTON W.RING	4286457 L		105.00		4S00139	C/W KIT
		PISTON W.RING			105.00		4S00155	C/W KIT
		ROD BUSHING				70.00	0310304	19.45
		SEAL KIT	4286736	40001-UP	95.00	65.00	4369766	146.74
		PISTON W.RING			95.00		4S00138	C/W KIT
	CLAMSHELL	PISTON W.RING				95.00	4S00152	C/W KIT
		ROD BUSHING				65.00	0310604	17.23
		SEAL KIT	4288744	40001-UP	115.00	75.00	4323935	217.16
		PISTON W.RING			115.00		4S00141	C/W KIT
		PISTON W.RING			115.00		4S00157	C/W KIT
		ROD BUSHING			75.00	0310504	21.52	
EX120-5, EX130-5	ARM	SEAL KIT	4317313	01001-UP	110.00	80.00	4364913	202.57
		PISTON W.RING	9150150		110.00		0667008	C/W KIT
		PISTON W.RING			110.00		4S00156	C/W KIT
	BOOM	ROD BUSHING				80.00	0309304	24.80
		SEAL KIT	4317311 R	01001-UP	105.00	70.00	4364912	228.26
	BUCKET	PISTON W.RING	9150148 R		105.00		0666808	C/W KIT
		PISTON W.RING	4317312 L		105.00		4S00155	C/W KIT
		ROD BUSHING	9150149 L			70.00	0310304	19.45
		SEAL KIT	4316357	01001-UP	95.00	65.00	4369766	146.74
		PISTON W.RING			95.00		0667108	C/W KIT
	CLAMSHELL	PISTON W.RING				95.00	4S00152	C/W KIT
		ROD BUSHING				65.00	0310604	17.23
		SEAL KIT	4396817	050001-UP	95.00	65.00	4403998	176.72
		PISTON W.RING	4391975		95.00		0667108	C/W KIT
		PISTON W.RING			95.00		4S00152	C/W KIT
		ROD BUSHING			65.00	0310604	17.23	
		SEAL KIT	4288744	01001-UP	115.00	75.00	4323935	217.16
		PISTON W.RING			115.00	4S00141	C/W KIT	
		PISTON W.RING			115.00	4S00157	C/W KIT	
		ROD BUSHING			75.00	0310504	21.52	

All manufacturer's names, part numbers and descriptions are used for reference purposes only. We do not imply that any part shown is the product of these manufacturers.

Remsa [KITS]

Original equipment Hitachi kits do not include the wear rings required to rebuild a cylinder.
The Hitachi kits listed in this catalog do include these wear rings.

EXCAVATORS

HITACHI

Model	Application	Component	Cylinder Group	Serial Number	Bore	Rod	Ref. Number RHIT-	\$	
ZX120, ZX130	ARM	SEAL KIT	4423852	06001-UP	115.00	80.00	4448396	222.65	
		PISTON W.RING			115.00		0686405	C/W KIT	
		PISTON W.RING			115.00		4S00157	C/W KIT	
	BOOM	ROD BUSHING	4428436 R 4428437 L	06001-UP		80.00	0309304	24.80	
		SEAL KIT			105.00	70.00	4448395	292.37	
		PISTON W.RING			105.00		0666808	C/W KIT	
	BUCKET	PISTON W.RING			105.00		0310510	C/W KIT	
		ROD BUSHING				70.00	0310304	19.45	
		SEAL KIT	4423853	06001-UP	100.00	70.00	4448397	228.21	
ZX125	ARM	PISTON W.RING	4428440	10001-UP	100.00		0686707	C/W KIT	
		PISTON W.RING			100.00		0254908	C/W KIT	
		ROD BUSHING				70.00	0310304	19.45	
	BOOM	SEAL KIT	4428440	10001-UP	105.00	75.00	4448393	161.43	
		PISTON W.RING			105.00		0666808	C/W KIT	
		PISTON W.RING			105.00		4S00155	C/W KIT	
BUCKET	ROD BUSHING				75.00	0310504	21.52		
	SEAL KIT	4442657 R 4442721 L	10001-UP	105.00	70.00	4448395	292.37		
	PISTON W.RING			105.00		0666808	C/W KIT		
EX150	BUCKET	PISTON W.RING	4428441	10001-UP	95.00	65.00	4448394	176.72	
		PISTON W.RING			95.00			0667108	C/W KIT
		PISTON W.RING			95.00			4S00152	C/W KIT
	ARM	ROD BUSHING				65.00	0310604	17.23	
		SEAL KIT	4216311	01001-UP	120.00	85.00	4369903P	233.23	
		PISTON W.RING			120.00		4S00142	C/W KIT	
BOOM	PISTON W.RING			120.00		4S00158	C/W KIT		
	ROD BUSHING				85.00	0309004	27.55		
	SEAL KIT	4216309 R 4216310 L	01001-UP	115.00	80.00	4369893P	183.74		
BUCKET	PISTON W.RING			115.00		4S00141	C/W KIT		
	PISTON W.RING			115.00		4S00157	C/W KIT		
	ROD BUSHING				80.00	0309304	24.80		
EX150-5, EX160-5	ARM	ROD BUSHING	4370784	01002-UP		80.00	0309304	24.80	
		SEAL KIT			115.00	80.00	4369893P	183.74	
		PISTON W.RING			115.00		4S00141	C/W KIT	
	BOOM	PISTON W.RING			115.00		4S00157	C/W KIT	
		ROD BUSHING				80.00	0309304	24.80	
		SEAL KIT	4370782 R 4370783 L	01002-UP	115.00	85.00	4272960	27.55	
				110.00	80.00	4389719	247.91		
				110.00		0667008	C/W KIT		

All manufacturer's names, part numbers and descriptions are used for reference purposes only. We do not imply that any part shown is the product of these manufacturers.

INDUSTRIAL SEAL KITS

MOBILE SEAL KITS

HITACHI

Original equipment Hitachi kits do not include the wear rings required to rebuild a cylinder.
The Hitachi kits listed in this catalog do include these wear rings.

HITACHI

EXCAVATORS

INDUSTRIAL
SEAL KITS

MOBILE
SEAL KITS

HITACHI

Model	Application	Component	Cylinder Group	Serial Number	Bore	Rod	Ref. Number RHIT-	\$		
EX200, EX200-1	BUCKET	PISTON W.RING	4370785	01002-UP	110.00		4S00156	C/W KIT		
		ROD BUSHING				80.00	0309304	24.80		
		SEAL KIT			105.00	75.00	4389721	329.29		
	ARM	ARM	PISTON W.RING	4180278	30001-30010	105.00		0666808	C/W KIT	
			PISTON W.RING			105.00		4S00155	C/W KIT	
			ROD BUSHING				75.00	0310504	21.52	
		SEAL KIT	135.00			95.00	4206019P	274.63		
		PISTON W.RING	135.00				0309211	C/W KIT		
		ARM	ARM			PISTON W.RING	135.00		4S00160	C/W KIT
	BOOM	BOOM	ROD BUSHING	4180278	30011-UP		95.00	0309204	29.92	
			SEAL KIT			135.00	95.00	4206019P	274.63	
			PISTON W.RING			135.00		0309211	C/W KIT	
PISTON W.RING			135.00				4S00160	C/W KIT		
ROD BUSHING						95.00	0309204	29.92		
BOOM			BOOM			SEAL KIT	4180276 R	30001-UP	125.00	85.00
BOOM		BOOM	PISTON W.RING	4180277 L		125.00		0309009	C/W KIT	
			PISTON W.RING			125.00		0223713	C/W KIT	
			ROD BUSHING				85.00	4272960	27.55	
		SEAL KIT	4223825 R	33005-UP	125.00	85.00	4206018P	185.95		
		PISTON W.RING	4223826L		125.00		0309009	C/W KIT		
		BUCKET	BUCKET	PISTON W.RING			125.00		0223713	C/W KIT
EX200-2	BUCKET	ROD BUSHING	4180279	30001-UP		85.00	4272960	27.55		
		SEAL KIT			120.00	80.00	4206020P	206.80		
		PISTON W.RING			120.00		4S00142	C/W KIT		
		PISTON W.RING			120.00		4S00158	C/W KIT		
		ROD BUSHING				80.00	0309304	24.80		
		BUCKET (RIVER MAINT)			BUCKET	SEAL KIT	4206692	30001-UP	100.00	65.00
	CLAMSHELL	CLAMSHELL	PISTON W.RING	2024987	30001-UP	100.00		0326005	C/W KIT	
			PISTON W.RING			100.00		0254908	C/W KIT	
			ROD BUSHING				65.00	0310604	17.23	
		SEAL KIT	135.00			85.00	4214722	221.15		
		PISTON W.RING	135.00				0309211	C/W KIT		
		ARM	ARM			PISTON W.RING			135.00	
EX200-2	ARM	ROD BUSHING	4250226	60001-UP		85.00	4272960	27.55		
		SEAL KIT			130.00	95.00	4369914	254.56		
		PISTON W.RING			4286777		130.00		4S00144	C/W KIT
		PISTON W.RING					130.00		4S00159	C/W KIT
		ROD BUSHING				95.00	0309204	29.92		
		ARM (RIVER MAINT)			ARM	SEAL KIT	4250226	60001-UP	130.00	95.00
	BOOM	BOOM	PISTON W.RING	4286777	60001-UP	130.00		4S00144	C/W KIT	
			PISTON W.RING			130.00		4S00159	C/W KIT	
			ROD BUSHING				95.00	0309204	29.92	
		SEAL KIT	4250223 R			60001-UP	120.00	85.00	4369901	207.15

All manufacturer's names, part numbers and descriptions are used for reference purposes only. We do not imply that any part shown is the product of these manufacturers.

Remsa [KITS]

Original equipment Hitachi kits do not include the wear rings required to rebuild a cylinder.
The Hitachi kits listed in this catalog do include these wear rings.

EXCAVATORS

HITACHI

Model	Application	Component	Cylinder Group	Serial Number	Bore	Rod	Ref. Number RHIT-	\$
		PISTON W.RING	4286771 R		120.00		4S00142	C/W KIT
		PISTON W.RING	4250224 L		120.00		4S00158	C/W KIT
		ROD BUSHING	4286775 L			85.00	4272960	27.55
	BUCKET	SEAL KIT	4250225	60001-UP	110.00	75.00	4369890	241.52
		PISTON W.RING	4286781		110.00		4S00140	C/W KIT
		PISTON W.RING			110.00		4S00156	C/W KIT
		ROD BUSHING				75.00	0310504	21.52
	BUCKET (RIVER MAINT)	SEAL KIT	4287889	60001-UP	95.00	65.00	4369766	146.74
		PISTON W.RING	4298371		95.00		4S00138	C/W KIT
		PISTON W.RING			95.00		4S00152	C/W KIT
		ROD BUSHING				65.00	0310604	17.23
	CLAMSHELL	SEAL KIT	4288743	60001-UP	125.00	85.00	4369902	296.40
		PISTON W.RING			125.00		C/W SEAL KIT	C/W KIT
		ROD BUSHING				85.00	4272960	27.55
EX200-3	ARM	SEAL KIT	4314778	78001-UP	130.00	95.00	4369914	254.56
		PISTON W.RING			130.00		4S00144	C/W KIT
		PISTON W.RING			130.00		4S00159	C/W KIT
		ROD BUSHING				95.00	0309204	29.92
	BOOM	SEAL KIT	4250223 R	78001-UP	120.00	85.00	4369901	207.15
		PISTON W.RING	4250224 L		120.00		4S00142	C/W KIT
		PISTON W.RING			120.00		4S00158	C/W KIT
		ROD BUSHING				85.00	4272960	27.55
	BUCKET	SEAL KIT	4250225	78001-UP	110.00	75.00	4369890	241.52
		PISTON W.RING			110.00		4S00140	C/W KIT
		PISTON W.RING			110.00		4S00156	C/W KIT
		ROD BUSHING				75.00	0310504	21.52
	BUCKET (RIVER MAINT)	SEAL KIT	4287889	78001-UP	95.00	65.00	4369766	146.74
		PISTON W.RING			95.00		4S00138	C/W KIT
		PISTON W.RING			95.00		4S00152	C/W KIT
		ROD BUSHING				65.00	0310604	17.23
	CLAMSHELL	SEAL KIT	4288743	78001-UP	125.00	85.00	4369902	296.40
		PISTON W.RING			125.00		C/W SEAL KIT	C/W KIT
		ROD BUSHING				85.00	4272960	27.55

All manufacturer's names, part numbers and descriptions are used for reference purposes only. We do not imply that any part shown is the product of these manufacturers.

INDUSTRIAL SEAL KITS

MOBILE SEAL KITS

HITACHI

Original equipment Hitachi kits do not include the wear rings required to rebuild a cylinder.
The Hitachi kits listed in this catalog do include these wear rings.

HITACHI

EXCAVATORS

Model	Application	Component	Cylinder Group	Serial Number	Bore	Rod	Ref. Number RHIT-	\$	
EX200-5	ARM	SEAL KIT	4372914	050001-UP	130.00	95.00	4364916	282.23	
		PISTON W.RING			130.00		0667409	C/W KIT	
		PISTON W.RING			130.00		4S00159	C/W KIT	
	BOOM	ROD BUSHING	4372912 R 4372913 L	050001-UP		95.00	0309204	29.92	
		SEAL KIT			120.00	85.00	4364915	233.63	
		PISTON W.RING			120.00		0667206	C/W KIT	
	BUCKET	PISTON W.RING				120.00		4S00158	C/W KIT
		ROD BUSHING					85.00	4272960	27.55
		SEAL KIT	4372915	050001-UP	110.00	75.00	4369890	241.52	
	BUCKET (RIVER MAINT)	PISTON W.RING	4371061 9152262	050001-UP	110.00	65.00	0667008	C/W KIT	
		PISTON W.RING			110.00		4S00156	C/W KIT	
		ROD BUSHING					75.00	0310504	21.52
	CLAMSHELL	SEAL KIT				95.00		4369766	146.74
		PISTON W.RING				95.00		4S00138	C/W KIT
		PISTON W.RING				95.00		4S00152	C/W KIT
	ZX200	ARM	ROD BUSHING	4288743	050001-UP		65.00	0310604	17.23
			SEAL KIT			125.00	85.00	4369902	296.40
			PISTON W.RING			125.00		C/W SEAL KIT	C/W KIT
	ROD BUSHING					85.00	4272960	27.55	
		ARM	4385638	1000001-UP	135.00	95.00	4448399	254.88	
		PISTON W.RING			135.00		0789110	C/W KIT	
	ARM (RIVER MAINT)	PISTON W.RING			135.00		4S00160	C/W KIT	
		ROD BUSHING				95.00	0309204	29.92	
		SEAL KIT	4316930	1000001-UP	130.00	95.00	4364916	282.23	
	ARM (RIVER MAINT)	PISTON W.RING			130.00		0667409	C/W KIT	
		PISTON W.RING			130.00		4S00159	C/W KIT	
		ROD BUSHING				95.00	0309204	29.92	
	BOOM	SEAL KIT	4410244 R 4410247 L	1000001-UP	120.00	85.00	4448398	219.85	
		PISTON W.RING			120.00		0667206	C/W KIT	
		PISTON W.RING			120.00		4S00158	C/W KIT	
	BUCKET	ROD BUSHING				85.00	4272960	27.55	
		SEAL KIT	4385637	1000001-UP	115.00	80.00	4448400	236.72	
		PISTON W.RING			115.00		0686405	C/W KIT	
	BUCKET (RIVER MAINT)	PISTON W.RING			115.00		4S00157	C/W KIT	
		ROD BUSHING				80.00	0309304	24.80	
		SEAL KIT	4449579	1000001-UP	95.00	65.00	4369766	146.74	
	BUCKET (RIVER MAINT)	PISTON W.RING	4371061		95.00		4S00138	C/W KIT	
		PISTON W.RING	9152262		95.00		4S00152	C/W KIT	
		ROD BUSHING				65.00	0310604	17.23	

All manufacturer's names, part numbers and descriptions are used for reference purposes only. We do not imply that any part shown is the product of these manufacturers.

Original equipment Hitachi kits do not include the wear rings required to rebuild a cylinder.
The Hitachi kits listed in this catalog do include these wear rings.

EXCAVATORS

HITACHI

Model	Application	Component	Cylinder Group	Serial Number	Bore	Rod	Ref. Number RHIT-	\$				
EX220-1	ARM	SEAL KIT	9072876	05001-UP	145.00	100.00	4203831	257.83				
		PISTON W.RING	9083747		145.00		4185247	C/W KIT				
		PISTON W.RING	9099001		145.00		4185249	C/W KIT				
	BOOM	ROD BUSHING	9073613	05001-UP	135.00	90.00	4284532	95.55				
		SEAL KIT	ALL				4203830	238.42				
		PISTON W.RING					4185246	C/W KIT				
PISTON W.RING			4185248				C/W KIT					
BUCKET	ROD BUSHING				90.00	4284533	38.43					
	SEAL KIT	9072877	05001-UP	135.00	90.00	4203830	238.42					
EX220-2	ARM	PISTON W.RING	9083748		135.00		4185246	C/W KIT				
		PISTON W.RING	9099002		135.00		4185248	C/W KIT				
		ROD BUSHING	9073614				90.00	4284533	38.43			
	ARM	SEAL KIT	9101317	08001-UP	135.00	100.00	9103843	265.57				
		PISTON W.RING	9104175						135.00	4185246	C/W KIT	
		PISTON W.RING	9177662						135.00	4252191	C/W KIT	
		ROD BUSHING	9103461							100.00	4272963	41.35
			9166812									C/W KIT
	ARM (RIVER MAINT)	SEAL KIT	9110436	08001-UP	145.00	100.00	9113447	228.77				
		PISTON W.RING	9111494		145.00		4185247	C/W KIT				
	ARM (RIVER MAINT)	PISTON W.RING		08001-UP	145.00	105.00	4369943	301.83				
		ROD BUSHING							100.00	4272963	41.35	
SEAL KIT		4308225	May-88						145.00	0492209	C/W KIT	
PISTON W.RING		4322741							145.00	0373413	C/W KIT	
ROD BUSHING										105.00	0373405	35.28
BOOM	SEAL KIT	ALL	08001-UP	125.00	90.00	9103842	258.49					
	PISTON W.RING			125.00		4168234	C/W KIT					
	PISTON W.RING			125.00		4253562	C/W KIT					
BUCKET	ROD BUSHING				90.00	4272961	26.57					
	SEAL KIT	9101318	08001-UP	125.00	85.00	9103844	259.69					
BUCKET (RIVER MAINT)	PISTON W.RING	9104176		125.00		4168234	C/W KIT					
	PISTON W.RING	9103462		125.00		4253562	C/W KIT					
	ROD BUSHING	9166813			85.00	4272960	27.55					
	SEAL KIT	4287889	08001-UP	95.00	65.00	4369766	146.74					
	PISTON W.RING	4298371		95.00		4S00138	C/W KIT					
	PISTON W.RING			95.00		4S00152	C/W KIT					
EX220-3	ARM	ROD BUSHING			65.00	0310604	17.23					
		SEAL KIT	ALL	10001-UP	135.00	100.00	9103843	265.57				
		PISTON W.RING			135.00		4185246	C/W KIT				
		PISTON W.RING			135.00		4252191	C/W KIT				
	ARM	ROD BUSHING				100.00	4272963	41.35				
	SEAL KIT	4308225	10001-UP	145.00	105.00	4369943	301.83					

All manufacturer's names, part numbers and descriptions are used for reference purposes only. We do not imply that any part shown is the product of these manufacturers.

INDUSTRIAL SEAL KITS

MOBILE SEAL KITS

HITACHI

Original equipment Hitachi kits do not include the wear rings required to rebuild a cylinder.
The Hitachi kits listed in this catalog do include these wear rings.

HITACHI

EXCAVATORS

INDUSTRIAL
SEAL KITS

MOBILE
SEAL KITS

HITACHI

Model	Application	Component	Cylinder Group	Serial Number	Bore	Rod	Ref. Number RHIT-	\$
	(RIVER MAINT)	PISTON W.RING	4322741		145.00		0492209	C/W KIT
		PISTON W.RING			145.00		0373413	C/W KIT
		ROD BUSHING				105.00	0373405	35.28
	BOOM	SEAL KIT	ALL	10001-UP	125.00	90.00	9103842	258.49
		PISTON W.RING			125.00		4168234	C/W KIT
		PISTON W.RING			125.00		4253562	C/W KIT
		ROD BUSHING				90.00	4272961	26.57
	BUCKET	SEAL KIT	9101318	10001-UP	125.00	85.00	9103844	259.69
		PISTON W.RING	9104176		125.00		4168234	C/W KIT
		PISTON W.RING	9103462		125.00		4253562	C/W KIT
		ROD BUSHING	9166813			85.00	4272960	27.55
	BUCKET	SEAL KIT	4287889	10001-UP	95.00	65.00	4369766	146.74
	(RIVER MAINT)	PISTON W.RING	4298371		95.00		4S00138	C/W KIT
		PISTON W.RING			95.00		4S00152	C/W KIT
		ROD BUSHING				65.00	0310604	17.23
ZX225	ARM	SEAL KIT	4385638	1000001-UP	135.00	95.00	4448399	254.88
		PISTON W.RING			135.00		0789110	C/W KIT
		PISTON W.RING			135.00		4S00160	C/W KIT
		ROD BUSHING				95.00	0309204	29.92
	BOOM	SEAL KIT	4447827 R	1000001-UP	120.00	85.00	4448398	219.85
		PISTON W.RING	4447826 L		120.00		0667206	C/W KIT
		PISTON W.RING			120.00		4S00158	C/W KIT
		ROD BUSHING				85.00	4272960	27.55
	BUCKET	SEAL KIT	4385637	1000001-UP	115.00	80.00	4448400	236.72
		PISTON W.RING			115.00		0686405	C/W KIT
		PISTON W.RING			115.00		4S00157	C/W KIT
		ROD BUSHING				80.00	0309304	24.80
EX220-5, EX230-5	ARM	SEAL KIT	9104175	001001-UP	135.00	100.00	9178284	182.62
		PISTON W.RING	9103461		135.00		4185246	C/W KIT
		PISTON W.RING			135.00		4252191	C/W KIT
		ROD BUSHING				100.00	4272963	41.35
	ARM	SEAL KIT	4380500	001001-UP	145.00	105.00	4369943	301.83
	(RIVER MAINT)	PISTON W.RING			145.00		0492208	C/W KIT
		PISTON W.RING			145.00		0492209	C/W KIT
		ROD BUSHING				105.00	0373405	35.28
	BOOM	SEAL KIT	9104173 R	001001-UP	125.00	90.00	9178283	223.37
		PISTON W.RING	9103460 R		125.00		4168234	C/W KIT
		PISTON W.RING	9104174 L		125.00		4253562	C/W KIT
		ROD BUSHING	9103460 L			90.00	4272961	26.57
	BUCKET	SEAL KIT	9104176	001001-UP	125.00	85.00	9178294	228.23
		PISTON W.RING	9103462		125.00		4168234	C/W KIT
		PISTON W.RING			125.00		4253562	C/W KIT
		ROD BUSHING				85.00	4272960	27.55

All manufacturer's names, part numbers and descriptions are used for reference purposes only. We do not imply that any part shown is the product of these manufacturers.

Remsa [KITS]

Original equipment Hitachi kits do not include the wear rings required to rebuild a cylinder.
The Hitachi kits listed in this catalog do include these wear rings.

EXCAVATORS

HITACHI

Model	Application	Component	Cylinder Group	Serial Number	Bore	Rod	Ref. Number RHIT-	\$	
	BUCKET (RIVER MAINT)	SEAL KIT	4371061	001001-UP	95.00	65.00	4369766	146.74	
		PISTON W.RING			95.00		0310609	C/W KIT	
		PISTON W.RING			95.00		4S00152	C/W KIT	
		ROD BUSHING				65.00	0310604	17.23	
EX270	ARM	SEAL KIT	9076106	05001-UP	150.00	105.00	9181752	293.73	
		PISTON W.RING	9083751		150.00		4171490	C/W KIT	
		PISTON W.RING	9076764		150.00		4194622	C/W KIT	
		ROD BUSHING				105.00	4290509	51.05	
	BOOM	SEAL KIT	ALL	05001-UP	145.00	95.00	9181751	225.02	
		PISTON W.RING			145.00		4185247	C/W KIT	
		PISTON W.RING			145.00		4194621	C/W KIT	
		ROD BUSHING				95.00	4284535	35.21	
	BUCKET	SEAL KIT	9076107	05001-UP	145.00	95.00	9181751	225.02	
		PISTON W.RING	9083752		145.00		4185247	C/W KIT	
		PISTON W.RING	9076765		145.00		4194621	C/W KIT	
		ROD BUSHING				95.00	4284535	35.21	
EX270-5, EX280-5	ARM	SEAL KIT	9161887	10001-UP	145.00	100.00	9180579	259.76	
		PISTON W.RING	9161896		145.00		4185247	C/W KIT	
		PISTON W.RING			145.00		4194621	C/W KIT	
	BOOM	ROD BUSHING				100.00	4272963	41.35	
		SEAL KIT	9161885 R	10001-UP	135.00	95.00	9180587	171.63	
		PISTON W.RING	9161895 R		135.00		4185246	C/W KIT	
		PISTON W.RING	9161886 L		135.00		4252191	C/W KIT	
	BUCKET	ROD BUSHING	9161895 L				95.00	4272962	29.92
		SEAL KIT	9161888	10001-UP	135.00	90.00	9180580	224.02	
		PISTON W.RING	9161897		135.00		4185246	C/W KIT	
		PISTON W.RING			135.00		4252191	C/W KIT	
ZX270	ARM	ROD BUSHING				90.00	4272961	26.57	
		SEAL KIT	9186598	020001-UP	145.00	100.00	9180579	259.76	
		PISTON W.RING	9206323		145.00		4185247	C/W KIT	
	BOOM	PISTON W.RING			145.00		4194621	C/W KIT	
		ROD BUSHING				100.00	4272963	41.35	
		SEAL KIT	9186596 R	020001-UP	135.00	95.00	9206355	342.20	
		PISTON W.RING	9206321 R		135.00		4185246	C/W KIT	
	BUCKET	PISTON W.RING	9186597 L		135.00		4252191	C/W KIT	
		ROD BUSHING	9206322 L			95.00	4272962	29.92	
		SEAL KIT	9186599	020001-UP	135.00	90.00	9180580	224.02	
		PISTON W.RING	9206324		135.00		4185246	C/W KIT	
	BUCKET	PISTON W.RING			135.00		4252191	C/W KIT	
		PISTON W.RING			135.00		4252191	C/W KIT	
		ROD BUSHING				90.00	4272961	26.57	

All manufacturer's names, part numbers and descriptions are used for reference purposes only. We do not imply that any part shown is the product of these manufacturers.

INDUSTRIAL SEAL KITS

MOBILE SEAL KITS

HITACHI

Original equipment Hitachi kits do not include the wear rings required to rebuild a cylinder.
The Hitachi kits listed in this catalog do include these wear rings.

HITACHI

EXCAVATORS

Model	Application	Component	Cylinder Group	Serial Number	Bore	Rod	Ref. Number RHIT-	\$
EX300	ARM	SEAL KIT	9076110	02001-UP	165.00	110.00	9078846	412.02
		PISTON W.RING	9083755		165.00		4194624	C/W KIT
		PISTON W.RING	9076767		165.00		4194623	C/W KIT
	BOOM	ROD BUSHING		02001-UP		110.00	4284534	67.06
		SEAL KIT	9076108 R		145.00	100.00	9078845	257.83
		PISTON W.RING	9083753 R		145.00	4185247	C/W KIT	
		PISTON W.RING	9076766 R		145.00	4185249	C/W KIT	
		ROD BUSHING	9076109 L			100.00	4272963	41.35
			9083754 L					C/W KIT
	BUCKET		9076766 L	02001-UP				C/W KIT
		SEAL KIT	9076111		145.00	95.00	9078843	255.05
		PISTON W.RING	9083756		145.00	4185247	C/W KIT	
		PISTON W.RING	9076768		145.00	4185249	C/W KIT	
		ROD BUSHING				95.00	4284535	35.21
		SEAL KIT	9124833	05001-UP	165.00	110.00	9123264	303.51
		PISTON W.RING	9127654		165.00	4194624	C/W KIT	
		PISTON W.RING			165.00	4194623	C/W KIT	
ROD BUSHING			110.00		4284534	67.06		
	BOOM	SEAL KIT	9124831 R	05001-UP	145.00	100.00	9078845	257.83
		PISTON W.RING	9127653 R		145.00	4185247	C/W KIT	
		PISTON W.RING	9124832 L		145.00	4185249	C/W KIT	
	BUCKET	ROD BUSHING	9127653 L	05001-UP		100.00	4272963	41.35
		SEAL KIT	9124834		145.00	95.00	9123265	196.65
		PISTON W.RING	9127655		145.00	4185247	C/W KIT	
		PISTON W.RING			145.00	4185249	C/W KIT	
		ROD BUSHING				95.00	4284535	35.21
		SEAL KIT	9124833	07001-UP	165.00	110.00	9123264	303.51
		PISTON W.RING	9127654		165.00	4194624	C/W KIT	
		PISTON W.RING			165.00	4194623	C/W KIT	
ROD BUSHING			110.00		4284534	67.06		
	BOOM	SEAL KIT	9124831 R	07001-UP	145.00	100.00	9078845	257.83
		PISTON W.RING	9127653 R		145.00	4185247	C/W KIT	
	BUCKET	PISTON W.RING	9124832 L	07001-UP	145.00		4185249	C/W KIT
		ROD BUSHING	9127653 L			100.00	4272963	41.35
		SEAL KIT	9124834		145.00	95.00	9123265	196.65
		PISTON W.RING	9127655		145.00	4185247	C/W KIT	
		PISTON W.RING			145.00		4185249	C/W KIT
		ROD BUSHING				95.00	4284535	35.21
		SEAL KIT	4326775	07001-UP	145.00	65.00	4369767	172.67
		PISTON W.RING	4344576		100.00	0326005	C/W KIT	
PISTON W.RING		100.00	0254908		C/W KIT			
ROD BUSHING			65.00		0310604	17.23		
	BUCKET (RIVER MAINT)							

All manufacturer's names, part numbers and descriptions are used for reference purposes only. We do not imply that any part shown is the product of these manufacturers.

Remsa [KITS]

Original equipment Hitachi kits do not include the wear rings required to rebuild a cylinder.
The Hitachi kits listed in this catalog do include these wear rings.

EXCAVATORS

HITACHI

Model	Application	Component	Cylinder Group	Serial Number	Bore	Rod	Ref. Number RHIT-	\$		
EX300-5, EX330-5 EX350-5, EX370-5	ARM	SEAL KIT	9170171	020001-UP	170.00	115.00	9180582	339.03		
		PISTON W.RING	9173705		170.00		4370063	C/W KIT		
		PISTON W.RING			170.00		4370064	C/W KIT		
	BOOM	ROD BUSHING					115.00	4370337	59.69	
		SEAL KIT	9170169 R	020001-UP	150.00	105.00	9180581	326.81		
		PISTON W.RING	9173704 R		150.00		4171490	C/W KIT		
		PISTON W.RING	9170170 L		150.00		4194622	C/W KIT		
		ROD BUSHING	9173704 L				105.00	4383093	37.19	
	SEAL KIT	9170172	020001-UP		145.00		95.00	9175564	229.30	
	ZX330, ZX350, ZX370	ARM	PISTON W.RING	9173706	03001-UP	145.00	95.00	4185247	C/W KIT	
PISTON W.RING				145.00		4185249		C/W KIT		
ROD BUSHING						95.00		4284535	35.21	
BOOM		SEAL KIT	9206357	03001-UP	170.00	115.00	9180582	339.03		
		PISTON W.RING	9206360		170.00		4370063	C/W KIT		
		PISTON W.RING			170.00		4370064	C/W KIT		
		ROD BUSHING					115.00	4370337	59.69	
		SEAL KIT	9206356		03001-UP		150.00	105.00	9180581	326.81
		PISTON W.RING	9206359				150.00		4171490	C/W KIT
		PISTON W.RING					150.00		4194622	C/W KIT
ROD BUSHING				105.00	4383093	37.19				
EX400	BUCKET	SEAL KIT	9206358	03001-UP	145.00	95.00	9123265	196.65		
		PISTON W.RING	9206361		145.00		4185247	C/W KIT		
		PISTON W.RING			145.00		4185249	C/W KIT		
		ROD BUSHING					95.00	4284535	35.21	
	ARM	SEAL KIT	4206480	02001-UP	190.00	130.00	4437964	353.36		
		PISTON W.RING	4236055		190.00		4S00091	C/W KIT		
		PISTON W.RING	4248321		190.00		4S00080	C/W KIT		
		ROD BUSHING					130.00	0353004	56.49	
		SEAL KIT	4219778		02001-UP		170.00	115.00	4438758	321.95
		PISTON W.RING	4256047				170.00		0352712	C/W KIT
HITACHI	BOOM	PISTON W.RING		02001-UP		115.00	0352704	39.84		
		SEAL KIT	ALL		170.00		115.00	4438758	321.95	
		PISTON W.RING			170.00			4S00149	C/W KIT	
		PISTON W.RING			170.00			0259307	C/W KIT	
	BOOM (LOADER)	ROD BUSHING				115.00	0352704	39.84		
		SEAL KIT	4249748 R	02001-UP	170.00	115.00	4438758	321.95		
		PISTON W.RING	4256046 R		170.00		4S00149	C/W KIT		
	BUCKET	PISTON W.RING	4249749 L		170.00		0259307	C/W KIT		
		ROD BUSHING	4256046 L			115.00	0352704	39.84		
		SEAL KIT	4206481	02001-UP	170.00	115.00	4438758	321.95		
PISTON W.RING		4248322		170.00		4S00149	C/W KIT			
PISTON W.RING		4236056		170.00		0259307	C/W KIT			

All manufacturer's names, part numbers and descriptions are used for reference purposes only. We do not imply that any part shown is the product of these manufacturers.

INDUSTRIAL SEAL KITS

MOBILE SEAL KITS

HITACHI

Original equipment Hitachi kits do not include the wear rings required to rebuild a cylinder.
The Hitachi kits listed in this catalog do include these wear rings.

HITACHI

EXCAVATORS

INDUSTRIAL
SEAL KITS

MOBILE
SEAL KITS

HITACHI

Model	Application	Component	Cylinder Group	Serial Number	Bore	Rod	Ref. Number RHIT-	\$
	BUCKET (LOADER)	ROD BUSHING				115.00	0352704	39.84
		SEAL KIT	4219780 R	02001-UP	150.00	115.00	4255532	257.55
		PISTON W.RING	4258811 R		150.00		0387305	C/W KIT
	BUCKET (LONG ARM)	PISTON W.RING	4219781 L		150.00		0237220	C/W KIT
		ROD BUSHING	4256051 L			115.00	0352704	39.84
		SEAL KIT	9099110	02001-UP	145.00	95.00	9181751	225.02
		PISTON W.RING	9076768		145.00		4185247	C/W KIT
		PISTON W.RING			145.00		4185249	C/W KIT
		ROD BUSHING				95.00	4284535	35.21
	LEVEL (LOADER)	SEAL KIT	4219779	02001-UP	170.00	115.00	4438758	321.95
		PISTON W.RING			170.00		0352712	C/W KIT
		PISTON W.RING			170.00		0259307	C/W KIT
	DUMP (LOADER)	ROD BUSHING				115.00	0352704	39.84
		SEAL KIT	4219782	02001-UP	100.00	65.00	4255533	158.45
		PISTON W.RING	4256054		100.00		0326005	C/W KIT
EX400-3	ARM	PISTON W.RING			100.00		0254908	C/W KIT
		ROD BUSHING				65.00	0310604	17.23
		SEAL KIT	4340512	05001-UP	190.00	130.00	4340621	362.12
		PISTON W.RING			190.00	C/W SEAL KIT	C/W KIT	
		ROD BUSHING				0353004	56.49	
	ARM (LOADER)	SEAL KIT	4256047	05001-UP	170.00	115.00	4438758	321.95
		PISTON W.RING			170.00		4S00149	C/W KIT
		PISTON W.RING			170.00		0259307	C/W KIT
	BOOM (BACKHOE)	ROD BUSHING				115.00	0352704	39.84
		SEAL KIT	4340511	05001-UP	170.00	115.00	4438672	402.92
		PISTON W.RING	4310242 R		170.00		C/W SEAL KIT	C/W KIT
	BOOM	ROD BUSHING	4310241 L			115.00	0352704	39.84
		SEAL KIT	4340511	500,105,161	170.00	115.00	4438672	402.92
		PISTON W.RING		516,305,165	170.00		C/W SEAL KIT	C/W KIT
	BOOM (LOADER)	ROD BUSHING				115.00	0352704	39.84
		SEAL KIT	4256046	51,625,164	170.00	115.00	4438758	321.95
		PISTON W.RING			170.00		4S00149	C/W KIT
	BUCKET	PISTON W.RING			170.00		0259307	C/W KIT
		ROD BUSHING				115.00	0352704	39.84
		SEAL KIT	4340513	05001-UP	170.00	115.00	4438672	402.92
	BUCKET (LOADER)	PISTON W.RING	4391716		170.00		C/W SEAL KIT	C/W KIT
		ROD BUSHING				115.00	0352704	39.84
		SEAL KIT	4258811 R	05001-UP	150.00	115.00	4255532	257.55
	BUCKET (LONG ARM)	PISTON W.RING	4256051 L		150.00		0387305	C/W KIT
		PISTON W.RING			150.00		0237220	C/W KIT
		ROD BUSHING				115.00	0352704	39.84
	BUCKET (LONG ARM)	SEAL KIT	9127655	05001-UP	145.00	95.00	9123265	196.65
		PISTON W.RING			145.00		4185247	C/W KIT
		PISTON W.RING			145.00		4185249	C/W KIT

All manufacturer's names, part numbers and descriptions are used for reference purposes only. We do not imply that any part shown is the product of these manufacturers.

Original equipment Hitachi kits do not include the wear rings required to rebuild a cylinder.
The Hitachi kits listed in this catalog do include these wear rings.

EXCAVATORS

HITACHI

Model	Application	Component	Cylinder Group	Serial Number	Bore	Rod	Ref. Number RHIT-	\$	
	LEVEL (LOADER)	ROD BUSHING	4256049	05001-UP		95.00	4284535	35.21	
		SEAL KIT			170.00	115.00	4438758	321.95	
		PISTON W.RING			170.00	4S00149	C/W KIT		
	DUMP (LOADER)	PISTON W.RING	4256054	05001-UP	170.00	115.00	0259307	C/W KIT	
		ROD BUSHING					0352704	39.84	
		SEAL KIT			100.00		65.00	4255533	158.45
		PISTON W.RING			100.00			0326005	C/W KIT
		PISTON W.RING			100.00			0254908	C/W KIT
		ROD BUSHING					65.00	0310604	17.23
EX400-5, EX450-5	ARM	SEAL KIT	4340512	07001-UP	190.00	130.00	4340621	362.12	
		PISTON W.RING			190.00		C/W SEAL KIT	C/W KIT	
	BOOM	ROD BUSHING	4340511	07001-UP		130.00	0353004	56.49	
		SEAL KIT			170.00	115.00	4438672	402.92	
	BUCKET	PISTON W.RING	4340513	07001-UP	170.00		C/W SEAL KIT	C/W KIT	
		ROD BUSHING				115.00	0352704	39.84	
	BUCKET	SEAL KIT	4391716	07001-UP	170.00	115.00	4438672	402.92	
		PISTON W.RING			170.00		C/W SEAL KIT	C/W KIT	
		ROD BUSHING				115.00	0352704	39.84	
	BUCKET	SEAL KIT	4391716	07001-UP	170.00	120.00	4438681	276.18	
		PISTON W.RING			170.00		C/W SEAL KIT	C/W KIT	
	BUCKET (LONG ARM)	ROD BUSHING	9127655	07001-UP		120.00	0450506	38.59	
		SEAL KIT			145.00	95.00	9123265	196.65	
		PISTON W.RING			145.00		4185247	C/W KIT	
		PISTON W.RING			145.00		4185249	C/W KIT	
		ROD BUSHING				95.00	4284535	35.21	
ZX450	ARM	SEAL KIT	4340512	010001-UP	190.00	130.00	4438679	342.54	
		PISTON W.RING			190.00		0420307	C/W KIT	
	BOOM	PISTON W.RING	9187754	010001-UP	190.00		4S00080	C/W KIT	
		ROD BUSHING				130.00	0353004	56.49	
	BUCKET	SEAL KIT	4391716	010001-UP	170.00	115.00	9180582	339.03	
		PISTON W.RING			170.00		4370063	C/W KIT	
	BUCKET	PISTON W.RING	4391716	010001-UP	170.00		4370064	C/W KIT	
		ROD BUSHING				115.00	4370337	59.69	
		SEAL KIT			170.00	120.00	4438681	276.18	
		PISTON W.RING			170.00		0420109	C/W KIT	
		PISTON W.RING			170.00		0259307	C/W KIT	
	CYL.	ROD BUSHING	4344048	010001-UP		120.00	0450506	38.59	
		SEAL KIT			130.00	65.00	4363078	192.50	
		PISTON W.RING			130.00		0657706	C/W KIT	
		ROD BUSHING				65.00	0657704	17.91	

All manufacturer's names, part numbers and descriptions are used for reference purposes only. We do not imply that any part shown is the product of these manufacturers.

INDUSTRIAL SEAL KITS

MOBILE SEAL KITS

HITACHI

Original equipment Hitachi kits do not include the wear rings required to rebuild a cylinder.
The Hitachi kits listed in this catalog do include these wear rings.

INDUSTRIAL
SEAL KITS

MOBILE
SEAL KITS

HITACHI

HITACHI

EXCAVATORS

Model	Application	Component	Cylinder Group	Serial Number	Bore	Rod	Ref. Number RHIT-	\$		
EX550	ARM	SEAL KIT	4354803	01001-UP	200.00	140.00	4348854	841.94		
		PISTON W.RING			200.00			C/W SEAL KIT	C/W KIT	
		ROD BUSHING						0379806	89.93	
	BOOM	SEAL KIT	4354802	01001-UP	180.00	125.00	4348853	611.89		
		PISTON W.RING			180.00			0643015	C/W KIT	
		PISTON W.RING			180.00			0332708	C/W KIT	
		ROD BUSHING						0643006	53.58	
	BUCKET	SEAL KIT	4354804	01001-UP	180.00	130.00	4348855	846.39		
		PISTON W.RING			180.00			0643015	C/W KIT	
	BUCKET (BE-ARM)	PISTON W.RING	4354830	01001-UP	180.00	130.00	0332708	C/W KIT		
		ROD BUSHING						0353004	56.49	
		SEAL KIT						4354824	505.31	
		PISTON W.RING			190.00			0420307	C/W KIT	
		PISTON W.RING			190.00			4S00080	C/W KIT	
		ROD BUSHING						0353004	56.49	
	BUCKET (LONG ARM)	SEAL KIT	4340513	01001-UP	170.00	115.00	4438672	402.92		
		PISTON W.RING	4391716		170.00		C/W SEAL KIT	C/W KIT		
		ROD BUSHING					0352704	39.84		
EX550-3, EX600-3	ARM	SEAL KIT	4354803	02001-UP	180.00	140.00	4348854	841.94		
		PISTON W.RING			180.00			C/W SEAL KIT	C/W KIT	
	BOOM	ROD BUSHING	4354802	02001-UP		140.00	0379806	89.93		
		SEAL KIT			180.00		4348853	611.89		
		PISTON W.RING			180.00		0643015	C/W KIT		
		PISTON W.RING			180.00		0332708	C/W KIT		
	BUCKET	ROD BUSHING	4354804	02001-UP		125.00	0643006	53.58		
		SEAL KIT			180.00		4348855	846.39		
	BUCKET (BE-ARM)	PISTON W.RING	4441575	02001-UP	180.00	130.00	0643015	C/W KIT		
		PISTON W.RING			180.00			0332708	C/W KIT	
		ROD BUSHING						0353004	56.49	
		SEAL KIT			4354830			190.00	4354824	505.31
		PISTON W.RING						190.00	0420307	C/W KIT
		PISTON W.RING						190.00	4S00080	C/W KIT
	BUCKET (LONG ARM)	ROD BUSHING	4340513	02001-UP		130.00	0353004	56.49		
		SEAL KIT			4391716		170.00	4438672	402.92	
		PISTON W.RING					170.00	C/W SEAL KIT	C/W KIT	
		ROD BUSHING						0352704	39.84	
EX550-5, EX600-5	ARM	SEAL KIT	4354803	03001-UP	180.00	140.00	4348854	841.94		
		PISTON W.RING			180.00			C/W SEAL KIT	C/W KIT	
	BOOM	ROD BUSHING	4354802	03001-UP		140.00	0379806	89.93		
		SEAL KIT			180.00		4348853	611.89		
		PISTON W.RING			180.00		0643015	C/W KIT		
		PISTON W.RING			180.00		0332708	C/W KIT		
		ROD BUSHING					125.00	0643006	53.58	

All manufacturer's names, part numbers and descriptions are used for reference purposes only. We do not imply that any part shown is the product of these manufacturers.

Remsa [KITS]

Original equipment Hitachi kits do not include the wear rings required to rebuild a cylinder.
The Hitachi kits listed in this catalog do include these wear rings.

EXCAVATORS

HITACHI

Model	Application	Component	Cylinder Group	Serial Number	Bore	Rod	Ref. Number RHIT-	\$	
ZX600, ZX650	BUCKET	SEAL KIT	4354804	03001-UP	180.00	130.00	4348855	846.39	
		PISTON W.RING	4441575		180.00		0643015	C/W KIT	
		PISTON W.RING			180.00		0332708	C/W KIT	
	BUCKET (BE-ARM)	ROD BUSHING		4354830	03001-UP		130.00	0353004	56.49
		SEAL KIT				190.00	130.00	4354824	505.31
		PISTON W.RING				190.00		0420307	C/W KIT
		PISTON W.RING				190.00		4S00080	C/W KIT
	BUCKET (LONG ARM)	ROD BUSHING		4340513	03001-UP		130.00	0353004	56.49
		SEAL KIT				170.00	115.00	4438672	402.92
	ZX600, ZX650	ARM	PISTON W.RING	4391716		170.00	115.00	C/W SEAL KIT	C/W KIT
			ROD BUSHING						0352704
		ARM	SEAL KIT	4354803	004001-UP	200.00	140.00	4438684	649.09
PISTON W.RING			200.00			0645008		C/W KIT	
PISTON W.RING			200.00			4S00098		C/W KIT	
BOOM		ROD BUSHING	4354802	004001-UP		140.00	0379806	89.93	
		SEAL KIT			180.00	125.00	4438682	860.63	
		PISTON W.RING			180.00		0643015	C/W KIT	
BUCKET	PISTON W.RING	4441575	004001-UP		125.00	0332708	C/W KIT		
	PISTON W.RING			180.00			0643006	53.58	
	ROD BUSHING			180.00			4442368	521.50	
EX700	ARM (LOADER)	PISTON W.RING	4243499	01003-F155	180.00	130.00	0643015	C/W KIT	
		PISTON W.RING			180.00		0332708	C/W KIT	
		ROD BUSHING						0353004	56.49
	ARM (LOADER)	SEAL KIT	4328130	F156-UP	200.00	140.00	4291362	649.09	
		PISTON W.RING			200.00		4S00092	C/W KIT	
		ROD BUSHING			200.00			4S00098	C/W KIT
ARM (BACKHOE)	SEAL KIT	4218518	01003-UP		150.00	0379806	89.93		
	PISTON W.RING			200.00		140.00	4291362	649.09	
	PISTON W.RING			200.00			4S00092	C/W KIT	
ARM (BACKHOE) (BE-ARM)	PISTON W.RING	4253060	F001-UP		140.00	4S00098	C/W KIT		
	PISTON W.RING			200.00			0379806	89.93	
	ROD BUSHING			200.00			4436496	424.73	
EX700	ARM (BACKHOE)	SEAL KIT	4218518	01003-UP	215.00	150.00	4436496	424.73	
		PISTON W.RING			215.00			0379912	C/W KIT
		PISTON W.RING			215.00			0379913	C/W KIT
	ARM (BACKHOE) (BE-ARM)	ROD BUSHING	4253060	F001-UP		150.00	0379905	95.83	
		SEAL KIT			215.00	150.00	4436496	424.73	
		PISTON W.RING			215.00		0379912	C/W KIT	
BOOM	PISTON W.RING	4328128 R 4328129 L	01003-01465		150.00	4S00162	C/W KIT		
	ROD BUSHING			200.00		150.00	0379905	95.83	
	SEAL KIT			200.00		140.00	4438759	649.09	
	PISTON W.RING			200.00			4S00092	C/W KIT	
BOOM	PISTON W.RING				140.00	4S00161	C/W KIT		
	ROD BUSHING			200.00			0379806	89.93	

All manufacturer's names, part numbers and descriptions are used for reference purposes only. We do not imply that any part shown is the product of these manufacturers.

INDUSTRIAL
SEAL KITS

MOBILE
SEAL KITS

HITACHI

Original equipment Hitachi kits do not include the wear rings required to rebuild a cylinder.
The Hitachi kits listed in this catalog do include these wear rings.

HITACHI

EXCAVATORS

INDUSTRIAL
SEAL KITS

MOBILE
SEAL KITS

HITACHI

Model	Application	Component	Cylinder Group	Serial Number	Bore	Rod	Ref. Number RHIT-	\$
ZX800, ZX850	BOOM	SEAL KIT	4330435	01466-UP	200.00	140.00	4438759	649.09
		PISTON W.RING			200.00		4S00092	C/W KIT
		PISTON W.RING			200.00		4S00098	C/W KIT
		ROD BUSHING				140.00	0379806	89.93
	BOOM (LONG)	SEAL KIT	4302057	01003-01465	200.00	140.00	4438759	649.09
		PISTON W.RING			200.00		4S00092	C/W KIT
		PISTON W.RING			200.00		4S00098	C/W KIT
		ROD BUSHING				140.00	0379806	89.93
	BOOM (LONG)	SEAL KIT	4330435	01466-UP	200.00	140.00	4438759	649.09
		PISTON W.RING			200.00		0340108	C/W KIT
		PISTON W.RING			200.00		4199817	C/W KIT
		ROD BUSHING				140.00	0379806	89.93
BUCKET (LOADER)	SEAL KIT	4243500	01003-F155 F166	180.00	130.00	4291368	521.50	
	PISTON W.RING			180.00		0417609	C/W KIT	
	PISTON W.RING			180.00		0332708	C/W KIT	
	ROD BUSHING				130.00	0353004	56.49	
BUCKET (BACKHOE)	SEAL KIT	4253061	F001-UP	215.00	150.00	4436496	424.73	
	PISTON W.RING			215.00		0379912	C/W KIT	
	PISTON W.RING			215.00		4S00162	C/W KIT	
	ROD BUSHING				150.00	0379905	95.83	
BUCKET (BACKHOE)	SEAL KIT	4251780	01003-UP	190.00	130.00	4256119	344.91	
	PISTON W.RING			190.00		4S00091	C/W KIT	
	PISTON W.RING			190.00		4S00080	C/W KIT	
	ROD BUSHING				130.00	0353004	56.49	
BUCKET (BACKHOE) (LONG ARM)	SEAL KIT	4259576	01003-UP	180.00	120.00	4437965	488.14	
	PISTON W.RING			180.00		0417609	C/W KIT	
	PISTON W.RING			180.00		0332708	C/W KIT	
	ROD BUSHING				120.00	0450506	38.59	
DUMP (LOADER)	SEAL KIT	4243502	01003-UP	130.00	80.00	4314461	230.74	
	PISTON W.RING			130.00		0399306	C/W KIT	
	PISTON W.RING			130.00		4S00159	C/W KIT	
	ROD BUSHING				80.00	0309304	24.80	
LEVEL (LOADER)	SEAL KIT	4243498	01003-UP	200.00	140.00	4291362	649.09	
	PISTON W.RING			200.00		4S00092	C/W KIT	
	PISTON W.RING			200.00		4S00098	C/W KIT	
	ROD BUSHING				140.00	0379806	89.93	
ARM	SEAL KIT	4391311	006001-UP	215.00	150.00	4436496	424.73	
	PISTON W.RING			215.00		0702704	C/W KIT	
	PISTON W.RING			215.00		0392305	C/W KIT	
	ROD BUSHING				150.00	0379905	95.83	
BOOM	SEAL KIT	4391320	006001-UP	200.00	140.00	4438684	649.09	
	PISTON W.RING			200.00		0645008	C/W KIT	
	PISTON W.RING			200.00		4S00098	C/W KIT	
	ROD BUSHING				140.00	0379806	89.93	

All manufacturer's names, part numbers and descriptions are used for reference purposes only. We do not imply that any part shown is the product of these manufacturers.

Remsa [KITS]

Original equipment Hitachi kits do not include the wear rings required to rebuild a cylinder.
The Hitachi kits listed in this catalog do include these wear rings.

EXCAVATORS

HITACHI

Model	Application	Component	Cylinder Group	Serial Number	Bore	Rod	Ref. Number RHIT-	\$
	BUCKET	SEAL KIT	4439851	006001-UP	190.00	140.00	4438693	412.72
		PISTON W.RING			190.00		0420307	C/W KIT
		PISTON W.RING			190.00		4S00080	C/W KIT
		ROD BUSHING				140.00	0379806	89.93
	CYL. C/W LIFT	SEAL KIT	4402168	006001-UP	170.00	120.00	4405053	321.17
		PISTON W.RING			170.00		0420109	C/W KIT
		PISTON W.RING			170.00		0259307	C/W KIT
		ROD BUSHING				120.00	0450506	38.59
EX750-5, EX800H-5	ARM (BACKHOE)	SEAL KIT	4391311	F501-F522	215.00	150.00	4436496	424.73
		PISTON W.RING		F501-F593	215.00		0702704	C/W KIT
		PISTON W.RING		F5001-F5159	215.00		4S00162	C/W KIT
		ROD BUSHING				150.00	0379905	95.83
	ARM (LOADER)	SEAL KIT	4330684	005001-UP	200.00	140.00	4291362	649.09
PISTON W.RING				200.00		4S00092	C/W KIT	
PISTON W.RING				200.00		4S00098	C/W KIT	
		ROD BUSHING				140.00	0379806	89.93
	BOOM	SEAL KIT	4391320	005001-UP	200.00	140.00	4438684	649.09
		PISTON W.RING			200.00		0645008	C/W KIT
		PISTON W.RING			200.00		4S00098	C/W KIT
		ROD BUSHING				140.00	0379806	89.93
	BUCKET	SEAL KIT	4391314	F501-F551	190.00	130.00	4437964	353.36
		PISTON W.RING	4439851	F5001-UP	190.00		0420307	C/W KIT
		PISTON W.RING		F501-UP	190.00		4S00080	C/W KIT
		ROD BUSHING				130.00	0353004	56.49
	BUCKET (STD. ARM)	SEAL KIT	4391314	F552-UP	190.00	130.00	AT302757	C/W KIT
		PISTON W.RING			190.00		0420307	C/W KIT
		PISTON W.RING			190.00		4S00080	C/W KIT
		ROD BUSHING				130.00	0353004	56.49
	BUCKET (BE-ARM)	SEAL KIT	4391308	F501-UP	215.00	150.00	4436496	424.73
		PISTON W.RING			215.00		0702704	C/W KIT
		PISTON W.RING			215.00		4S00162	C/W KIT
		ROD BUSHING				150.00	0379905	95.83
	BUCKET (LONG ARM)	SEAL KIT	4430932	F501-F504	180.00	120.00	4437965	488.14
		PISTON W.RING			180.00		0417609	C/W KIT
		PISTON W.RING			180.00		0332708	C/W KIT
		ROD BUSHING				120.00	0450506	38.59
	BUCKET (LONG ARM)	SEAL KIT	4430933	F505-UP	180.00	120.00	4437965	488.14
		PISTON W.RING			180.00		0417609	C/W KIT
		PISTON W.RING			180.00		0332708	C/W KIT
		ROD BUSHING				120.00	0450506	38.59
	BUCKET (LOADER)	SEAL KIT	4291366	005001-UP	180.00	130.00	4291368	521.50
		PISTON W.RING			180.00		0417609	C/W KIT
		PISTON W.RING			180.00		0332708	C/W KIT
		ROD BUSHING				130.00	0353004	56.49

All manufacturer's names, part numbers and descriptions are used for reference purposes only. We do not imply that any part shown is the product of these manufacturers.

INDUSTRIAL SEAL KITS

MOBILE SEAL KITS

HITACHI

Original equipment Hitachi kits do not include the wear rings required to rebuild a cylinder.
The Hitachi kits listed in this catalog do include these wear rings.

HITACHI

EXCAVATORS

Model	Application	Component	Cylinder Group	Serial Number	Bore	Rod	Ref. Number RHIT-	\$		
EX1000	LEVEL (LOADER)	SEAL KIT	4291363	005001-UP	200.00	140.00	4291362	649.09		
		PISTON W.RING			200.00		4S00092	C/W KIT		
		PISTON W.RING			200.00		4S00098	C/W KIT		
	DUMP (LOADER)	ROD BUSHING	399301	005001-UP	130.00	80.00	0379806	89.93		
		SEAL KIT					4314461	230.74		
		PISTON W.RING					0399306	C/W KIT		
		PISTON W.RING					130.00	4S00159	C/W KIT	
	CYL. (C/W LIFTING)	ROD BUSHING	4402168	005001-UP	170.00	120.00	0309304	24.80		
		SEAL KIT					4405053	321.17		
	EX1000	ARM (LOADER)	PISTON W.RING	4157138	F101-UP	225.00	150.00	0420109	C/W KIT	
			PISTON W.RING					170.00	0259307	C/W KIT
			ROD BUSHING						0450506	38.59
BOOM		SEAL KIT	4157139	F101-UP	225.00	150.00	042713	C/W KIT		
		PISTON W.RING					225.00	0242714	C/W KIT	
		ROD BUSHING						0242704	95.83	
EX1000	BUCKET (BACKHOE)	SEAL KIT	4174020	F101-UP	240.00	160.00	4171990	558.80		
		PISTON W.RING					4193517	240.00	0242311	C/W KIT
		PISTON W.RING						240.00	0242312	C/W KIT
	DUMP (LOADER)	ROD BUSHING	4157143	F101-UP	140.00	80.00	0242304	106.58		
		SEAL KIT					4171990	308.95		
		PISTON W.RING					140.00	0224107	C/W KIT	
EX1000	TILT (LOADER)	PISTON W.RING	4157140	F101-UP	190.00	140.00	0224108	C/W KIT		
		ROD BUSHING						80.00	0242604	30.54
		SEAL KIT					4157141	190.00	4171992	453.90
	CYL. LEVEL (LOADER)	PISTON W.RING	4157142	F101-UP	240.00	160.00	0242511	C/W KIT		
		PISTON W.RING					190.00	0242512	C/W KIT	
		ROD BUSHING						140.00	0242504	95.55
EX1100	ARM (LOADER)	SEAL KIT	4418083	1003-UP	215.00	150.00	4171990	558.80		
		PISTON W.RING					240.00	0242311	C/W KIT	
		PISTON W.RING					240.00	0242312	C/W KIT	
	ARM (BACKHOE)	ROD BUSHING	4418088	1003-UP	215.00	150.00	0242304	106.58		
		SEAL KIT					4243457	0379912	C/W KIT	
		PISTON W.RING					215.00	0379913	C/W KIT	
EX1100	ARM (BACKHOE)	ROD BUSHING	4418088	1003-UP	260.00	180.00	0379905	95.83		
		SEAL KIT					4418088	4278396	1697.49	
		PISTON W.RING					4255231	260.00	0400312	C/W KIT
		PISTON W.RING			260.00		0400313	C/W KIT		

All manufacturer's names, part numbers and descriptions are used for reference purposes only. We do not imply that any part shown is the product of these manufacturers.

Original equipment Hitachi kits do not include the wear rings required to rebuild a cylinder.
The Hitachi kits listed in this catalog do include these wear rings.

EXCAVATORS

HITACHI

Model	Application	Component	Cylinder Group	Serial Number	Bore	Rod	Ref. Number RHIT-	\$
	ARM (WORK VESSEL)	ROD BUSHING SEAL KIT PISTON W.RING	4418094 4347877	1003-1126	260.00 260.00	180.00 180.00	0400306 4278396 0400312	137.56 1697.49 C/W KIT
	BOOM	PISTON W.RING ROD BUSHING SEAL KIT PISTON W.RING PISTON W.RING ROD BUSHING	4286967 4418082 4243455	1003-UP	260.00 230.00 230.00	180.00 160.00 160.00	0400313 0400306 4278395 0400211 0400212 0400204	C/W KIT 137.56 1156.05 C/W KIT C/W KIT 84.59
	BOOM (WORK VESSEL)	SEAL KIT PISTON W.RING PISTON W.RING ROD BUSHING	4418093 4347876 4285966	103-1126	230.00 230.00 230.00	160.00	4278395 0400211 0400212 0400204	1156.05 C/W KIT C/W KIT 84.59
	BUCKET (LOADER)	SEAL KIT PISTON W.RING	4418085 R 4243458 R	1003-UP	240.00 240.00	170.00	4278398 0379812	886.40 C/W KIT
	BUCKET (WORK VESSEL)	PISTON W.RING ROD BUSHING SEAL KIT PISTON W.RING PISTON W.RING ROD BUSHING	4418086 L 4243459 L 4418097 4298768	1003-UP	240.00 190.00 190.00 190.00	170.00 130.00 130.00	0340108 0336604 4256119 4S00091 4S00080 0353004	C/W KIT 95.83 344.91 C/W KIT C/W KIT 56.49
	BUCKET (WORK VESSEL)	SEAL KIT PISTON W.RING PISTON W.RING ROD BUSHING	4418095 4347878	1129-UP	230.00 230.00 230.00	160.00	4278395 0400211 0400212 0400204	1156.05 C/W KIT C/W KIT 84.59
	BUCKET (WORK VESSEL)	SEAL KIT PISTON W.RING	4418095 4347878	1003-1128	230.00 230.00	160.00	4278395 0400211	1156.05 C/W KIT
	BUCKET (BACKHOE)	PISTON W.RING ROD BUSHING SEAL KIT PISTON W.RING PISTON W.RING ROD BUSHING	4286968 4418092 4298583	1003-UP	230.00 190.00 190.00	160.00 130.00 130.00	0400212 0400204 4256119 4S00091 4S00080 0353004	C/W KIT 84.59 344.91 C/W KIT C/W KIT 56.49
	BUCKET (BACKHOE)	SEAL KIT PISTON W.RING PISTON W.RING ROD BUSHING	4418091 4309171	F101-UP	230.00 230.00 230.00	160.00	4278395 0400211 0400212 0400204	1156.05 C/W KIT C/W KIT 84.59
	BUCKET (BACKHOE)	SEAL KIT PISTON W.RING	4418090 4255233	F101-UP	230.00 240.00	160.00	4278395 0336412	1156.05 C/W KIT
	BUCKET (BACKHOE)	PISTON W.RING ROD BUSHING SEAL KIT PISTON W.RING PISTON W.RING ROD BUSHING	4418089 4255232	F101-UP	240.00 230.00 230.00 230.00	160.00 160.00 160.00	0242312 0400204 4278395 0400211 0400212 0400204	C/W KIT 84.59 1156.05 C/W KIT C/W KIT 84.59

All manufacturer's names, part numbers and descriptions are used for reference purposes only. We do not imply that any part shown is the product of these manufacturers.

INDUSTRIAL SEAL KITS

MOBILE SEAL KITS

HITACHI

Original equipment Hitachi kits do not include the wear rings required to rebuild a cylinder.
The Hitachi kits listed in this catalog do include these wear rings.

INDUSTRIAL
SEAL KITS

MOBILE
SEAL KITS

HITACHI

HITACHI

EXCAVATORS

Model	Application	Component	Cylinder Group	Serial Number	Bore	Rod	Ref. Number RHIT-	\$	
	DUMP (LOADER)	SEAL KIT	4418087	1003-UP	140.00	85.00	4378931	275.85	
		PISTON W.RING	4243468		140.00		0400908	C/W KIT	
		PISTON W.RING			140.00		0224108	C/W KIT	
	LEVEL (LOADER)	ROD BUSHING		1003-UP		160.00	4272960	27.55	
		SEAL KIT	4418084		230.00		4278395	1156.05	
		PISTON W.RING	4243456		230.00		0400211	C/W KIT	
		PISTON W.RING			230.00		0400212	C/W KIT	
EX1100-3	ARM (LOADER)	SEAL KIT	4418083	002001-UP	215.00	150.00	4436496	424.73	
		PISTON W.RING	4243457		215.00		0379912	C/W KIT	
EX1100-3	ARM (BACKHOE)	PISTON W.RING		002001-UP	215.00	180.00	0379913	C/W KIT	
		ROD BUSHING					150.00	0379905	95.83
EX1100-3	ARM (WORK VESSEL)	SEAL KIT	4418088	002001-UP	260.00	180.00	4278396	1697.49	
		PISTON W.RING	4255231		260.00		0400312	C/W KIT	
EX1100-3	ARM (WORK VESSEL)	PISTON W.RING		002001-UP	260.00	180.00	0400313	C/W KIT	
		ROD BUSHING					180.00	0400306	137.56
EX1100-3	ARM (WORK VESSEL)	SEAL KIT	4418094	002001-UP	260.00	180.00	4278396	1697.49	
		PISTON W.RING	4347877		260.00		0400312	C/W KIT	
EX1100-3	ARM (WORK VESSEL)	PISTON W.RING		002001-UP	260.00	180.00	0400313	C/W KIT	
		ROD BUSHING					180.00	0400306	137.56
	BOOM	SEAL KIT	4418082	002001-UP	230.00	160.00	4278395	1156.05	
		PISTON W.RING			230.00		0400211	C/W KIT	
		PISTON W.RING			230.00		0400212	C/W KIT	
		ROD BUSHING					160.00	0400204	84.59
	BOOM (WORK VESSEL)	SEAL KIT	4418093	002001-UP	230.00	160.00	4278395	1156.05	
		PISTON W.RING	4347876		230.00		0400211	C/W KIT	
	BUCKET (LOADER)	PISTON W.RING		002001-UP	230.00	170.00	0400212	C/W KIT	
		ROD BUSHING					160.00	0400204	84.59
		SEAL KIT	4418085 R		200.00		4278398	886.40	
		PISTON W.RING	4243458 R		200.00		4S00092	C/W KIT	
	BUCKET (LOADER)	PISTON W.RING	4278065 L	002001-UP	200.00	170.00	4S00161	C/W KIT	
		ROD BUSHING	4278066 L				170.00	0336604	95.83
	BUCKET (WORK VESSEL) LONG	SEAL KIT	4418097	002001-UP	190.00	130.00	4256119	344.91	
		PISTON W.RING	4298768		190.00		4S00091	C/W KIT	
		PISTON W.RING			190.00		0242512	C/W KIT	
	BUCKET (WORK VESSEL)	ROD BUSHING		002001-UP		160.00	0353004	56.49	
		SEAL KIT	4418096		230.00		4278395	1156.05	
	BUCKET (WORK VESSEL)	PISTON W.RING	4347879	002001-UP	230.00	160.00	0400211	C/W KIT	
		PISTON W.RING			230.00		0400212	C/W KIT	
	SEMI-LONG	ROD BUSHING		002001-UP		160.00	0400204	84.59	
		SEAL KIT	4418095		230.00		4278395	1156.05	
	BUCKET (WORK VESSEL)	PISTON W.RING	4347878	002001-UP	230.00	160.00	0400211	C/W KIT	
		PISTON W.RING			230.00		0400212	C/W KIT	
		ROD BUSHING					160.00	0400204	84.59

All manufacturer's names, part numbers and descriptions are used for reference purposes only. We do not imply that any part shown is the product of these manufacturers.

Remsa [KITS]

Original equipment Hitachi kits do not include the wear rings required to rebuild a cylinder.
The Hitachi kits listed in this catalog do include these wear rings.

EXCAVATORS

HITACHI

Model	Application	Component	Cylinder Group	Serial Number	Bore	Rod	Ref. Number RHIT-	\$	
	BUCKET (BACKHOE) LONG	SEAL KIT	4418092	002001-UP	190.00	130.00	4256119	344.91	
		PISTON W.RING	4298583		190.00		4S00091	C/W KIT	
		PISTON W.RING			190.00		4S00080	C/W KIT	
	BUCKET (BACKHOE) SEMI-LONG	ROD BUSHING		F101-UP		130.00	0353004	56.49	
		SEAL KIT	4418091		230.00	160.00	4278395	1156.05	
		PISTON W.RING	4309171		230.00		0400211	C/W KIT	
	BUCKET (BACKHOE)	PISTON W.RING		F101-UP	230.00	160.00	0400212	C/W KIT	
		ROD BUSHING					160.00	0400204	84.59
		SEAL KIT	4418090		240.00		170.00	4309996	886.40
	(BACKHOE; BE)	PISTON W.RING	4255233	F101-UP	240.00	170.00	0336412	C/W KIT	
		PISTON W.RING			240.00			0242312	C/W KIT
		ROD BUSHING						0496004	101.43
	BUCKET (BACKHOE)	SEAL KIT	4418089	F101-UP	230.00	160.00	4278395	1156.05	
		PISTON W.RING	4255232		230.00			0400211	C/W KIT
		PISTON W.RING			230.00			0400212	C/W KIT
	DUMP (LOADER)	ROD BUSHING		002001-UP		160.00	0400204	84.59	
		SEAL KIT	4418087		140.00	85.00	4378931	275.85	
		PISTON W.RING	4243468		140.00		0400908	C/W KIT	
	LEVEL	PISTON W.RING		002001-UP	140.00	85.00	0224108	C/W KIT	
		PISTON W.RING			140.00			4272960	27.55
		ROD BUSHING						4278395	1156.05
EX1200	(LOADER)	SEAL KIT	4418084	002001-UP	230.00	160.00			
		PISTON W.RING	4243456		230.00			0400211	C/W KIT
		PISTON W.RING			230.00			0400212	C/W KIT
	ARM (LOADER)	ROD BUSHING		001002-UP		160.00	0400204	84.59	
		SEAL KIT	4453176		215.00	170.00	4465647	611.89	
		PISTON W.RING			215.00		0702704	C/W KIT	
	ARM (BACKHOE)	PISTON W.RING		001002-UP	215.00	170.00	0392306	C/W KIT	
		ROD BUSHING						0336604	95.83
		SEAL KIT	4438244		260.00		180.00	4465632	1697.49
	BUCKET (BACKHOE)	PISTON W.RING		001002-UP	260.00	180.00	0809107	C/W KIT	
		PISTON W.RING			260.00			0400313	C/W KIT
		ROD BUSHING						0400306	137.56
	BOOM	SEAL KIT	4438246	001002-UP	230.00	160.00	4465641	1156.05	
		PISTON W.RING			230.00			0781706	C/W KIT
		PISTON W.RING			230.00			0400212	C/W KIT
	BUCKET (BACKHOE)	ROD BUSHING		001002-UP		160.00	0400204	84.59	
		SEAL KIT	4454760		230.00	160.00	4465638	1156.05	
		PISTON W.RING			230.00		0400211	C/W KIT	
	STD. ARM	PISTON W.RING		001002-UP	230.00	160.00	0400212	C/W KIT	
		ROD BUSHING						0400204	84.59
		SEAL KIT	4438245		240.00			4465644	1594.61
	BUCKET (BACKHOE) BE;ARM	PISTON W.RING		001002-UP	240.00	170.00	0809405	C/W KIT	
		PISTON W.RING			240.00			0242312	C/W KIT
		ROD BUSHING						4392642	101.43

All manufacturer's names, part numbers and descriptions are used for reference purposes only. We do not imply that any part shown is the product of these manufacturers.

INDUSTRIAL
SEAL KITS

MOBILE
SEAL KITS

HITACHI

Original equipment Hitachi kits do not include the wear rings required to rebuild a cylinder.
The Hitachi kits listed in this catalog do include these wear rings.

INDUSTRIAL
SEAL KITS

MOBILE
SEAL KITS

HITACHI

HITACHI

EXCAVATORS

Model	Application	Component	Cylinder Group	Serial Number	Bore	Rod	Ref. Number RHIT-	\$	
EX-1800	BUCKET (LOADER)	SEAL KIT	4453178	001002-UP	200.00	150.00	4465650	1350.16	
		PISTON W.RING	4453177		200.00		0645008	C/W KIT	
		PISTON W.RING			200.00		4199817	C/W KIT	
	DUMP (LOADER)	ROD BUSHING				150.00	0379905	95.83	
		SEAL KIT	4453179	001002-UP	140.00	85.00	4465653	275.85	
		PISTON W.RING			140.00		0812305	C/W KIT	
		PISTON W.RING			140.00		0224108	C/W KIT	
	ROD BUSHING				85.00		0309004	27.55	
	LEVEL (LOADER)	SEAL KIT	4453180	001002-UP	230.00	160.00	4465641	1156.05	
	ARM (LOADER)	PISTON W.RING					0781706	C/W KIT	
		PISTON W.RING					0400212	C/W KIT	
		ROD BUSHING				160.00	0400204	84.59	
	ARM (LOADER)	SEAL KIT	4179437	001001-UP	240.00	180.00	4221869	1156.05	
		PISTON W.RING	4284305		240.00		0336412	C/W KIT	
	ARM (BACKHOE)	PISTON W.RING					0242312	C/W KIT	
		ROD BUSHING				180.00	0336404	109.54	
		SEAL KIT	4284470	001001-UP	250.00	170.00	4301079	1667.26	
		PISTON W.RING	4199292		250.00		0339707	C/W KIT	
PISTON W.RING		250.00	4199809		C/W KIT				
ROD BUSHING			170.00		0336604		95.83		
BOOM	SEAL KIT	4179436	001001-UP	280.00	200.00	4221868P	1156.05		
	PISTON W.RING	4282905		280.00		0317715	C/W KIT		
	PISTON W.RING			280.00		4199801	C/W KIT		
BUCKET (BACKHOE)	ROD BUSHING				200.00	0317704	165.07		
	SEAL KIT	4199293	ALL	200.00	150.00	4301078	1325.95		
	PISTON W.RING	4286428		200.00		0340108	C/W KIT		
PISTON W.RING	4205661	200.00		4199817		C/W KIT			
BUCKET (LOADER)	ROD BUSHING	4286427	ALL	ALL	150.00	0340104	78.86		
	SEAL KIT	ALL				225.00	170.00	4221871	1035.13
	PISTON W.RING					225.00	0317409	C/W KIT	
	PISTON W.RING					225.00	0242714	C/W KIT	
DUMP (LOADER)	ROD BUSHING				170.00	0336604	95.83		
	SEAL KIT	4179441	001001-UP	190.00	110.00	4221872	504.93		
	PISTON W.RING	4248484		190.00		0336808	C/W KIT		
PISTON W.RING	4301778	190.00		0242512		C/W KIT			
LEVEL (LOADER)	ROD BUSHING	4306628	001001-UP		110.00	0336804	67.06		
	SEAL KIT	4275749		280.00		200.00	4221868P	1156.05	
	PISTON W.RING	4255787		280.00		0317715	C/W KIT		
	PISTON W.RING	4179438		280.00		4199801	C/W KIT		
		ROD BUSHING			200.00	0317704	165.07		

All manufacturer's names, part numbers and descriptions are used for reference purposes only. We do not imply that any part shown is the product of these manufacturers.

Original equipment Hitachi kits do not include the wear rings required to rebuild a cylinder.
The Hitachi kits listed in this catalog do include these wear rings.

EXCAVATORS

HITACHI

Model	Application	Component	Cylinder Group	Serial Number	Bore	Rod	Ref. Number RHIT-	\$	
EX1800-2	ARM (LOADER)	SEAL KIT	4284305	F057-F096	240.00	180.00	4221869	1156.05	
		PISTON W.RING	4179437	F001-F056	240.00		0336412	C/W KIT	
		PISTON W.RING	4339992	F097-UP	240.00		0242312	C/W KIT	
	BOOM	ROD BUSHING					180.00	0336404	109.54
		SEAL KIT	4282905	ALL	280.00	200.00		4221868P	1156.05
		PISTON W.RING	4179436		280.00			0317715	C/W KIT
		PISTON W.RING	4337259		280.00			4199801	C/W KIT
		ROD BUSHING	4360217				200.00	0317704	165.07
	BOOM (BACKHOE)	SEAL KIT	4199292	F001-F002	250.00	170.00		4301079	1667.26
	BUCKET (LOADER)	PISTON W.RING			F001-F016	250.00		0339709	C/W KIT
		PISTON W.RING				250.00		4199809	C/W KIT
		ROD BUSHING					170.00	0336604	95.83
BUCKET (LOADER)	SEAL KIT	ALL		F002-F051	225.00	170.00	4221871	1035.13	
	PISTON W.RING			F052-F059	225.00		0317409	C/W KIT	
	PISTON W.RING			F060-UP	225.00		0242714	C/W KIT	
BUCKET (BACKHOE)	ROD BUSHING					170.00	0336604	95.83	
	SEAL KIT	ALL		F001-F019	200.00	150.00	4301078	1325.95	
	PISTON W.RING			F020-UP	200.00		0340108	C/W KIT	
	PISTON W.RING			F001-UP	200.00		4199817	C/W KIT	
DUMP	ROD BUSHING					150.00	0340104	78.86	
	SEAL KIT	4179441	ALL		190.00	110.00	4221872	504.93	
(LOADER)	PISTON W.RING	4248484			190.00		0336808	C/W KIT	
	PISTON W.RING	4301778			190.00		0242512	C/W KIT	
	ROD BUSHING	4306628				110.00	0336804	67.06	
	SEAL KIT	4275749		F052-UP	280.00	200.00	4221868P	1156.05	
	PISTON W.RING	4179438		F001-F041	280.00		0317715	C/W KIT	
	PISTON W.RING	4242787		F042-F051	280.00		4199801	C/W KIT	
EX1800-3	ARM (LOADER)	ROD BUSHING				200.00	0317704	165.07	
		SEAL KIT	4339992	000501-UP	240.00	180.00	4221869	1156.05	
		PISTON W.RING			240.00			0336412	C/W KIT
		PISTON W.RING			240.00			0242312	C/W KIT
	ARM (BACKHOE) 4.0M/3.6M	ROD BUSHING					180.00	0336404	109.54
		SEAL KIT	4284470	000501-UP	250.00	170.00		4325945	968.45
		PISTON W.RING	4364958		250.00			0339707	C/W KIT
		PISTON W.RING			250.00			4199809	C/W KIT
		ROD BUSHING					170.00	0336604	95.83
	BOOM	SEAL KIT	4360217	000501-UP	280.00	200.00		4221868P	1156.05
		PISTON W.RING	4337259		280.00			0317715	C/W KIT
	BUCKET (LOADER)	PISTON W.RING				280.00		4199801	C/W KIT
ROD BUSHING						200.00	0317704	165.07	
SEAL KIT		4287110	000501-UP	225.00	170.00		4221871	1035.13	
PISTON W.RING				225.00			0317409	C/W KIT	
PISTON W.RING				225.00			0242714	C/W KIT	
ROD BUSHING						170.00	0336604	95.83	

All manufacturer's names, part numbers and descriptions are used for reference purposes only. We do not imply that any part shown is the product of these manufacturers.

Original equipment Hitachi kits do not include the wear rings required to rebuild a cylinder.
The Hitachi kits listed in this catalog do include these wear rings.

HITACHI

EXCAVATORS

Model	Application	Component	Cylinder Group	Serial Number	Bore	Rod	Ref. Number RHIT-	\$
EX1900-5	BUCKET (BACKHOE)	SEAL KIT	4287111	000501-UP	200.00	150.00	4301078	1325.95
		PISTON W.RING	4222970		200.00		0340108	C/W KIT
		PISTON W.RING			200.00		4199817	C/W KIT
	DUMP (LOADER)	ROD BUSHING	4306628	000501-UP	190.00	110.00	0340104	78.86
		SEAL KIT					4221872	504.93
		PISTON W.RING					0336808	C/W KIT
		PISTON W.RING					0242512	C/W KIT
	LEVEL (LOADER)	ROD BUSHING	4275749	000501-UP	280.00	200.00	0336804	67.06
		SEAL KIT					4221868P	1156.05
		PISTON W.RING					0317715	C/W KIT
	ARM (LOADER)	PISTON W.RING	4463376	000101-UP	240.00	200.00	4199801	C/W KIT
		PISTON W.RING					0317704	165.07
		ROD BUSHING						
	ARM (LOADER)	SEAL KIT	4463376	000101-UP	240.00	180.00	4475378	1684.06
		PISTON W.RING					0809405	C/W KIT
		PISTON W.RING					0242312	C/W KIT
	ARM (BACKHOE)	ROD BUSHING	4456955	000101-UP	250.00	180.00	0400306	137.56
		SEAL KIT					4475376	1749.74
PISTON W.RING		0706705					C/W KIT	
PISTON W.RING		4199809					C/W KIT	
BOOM	ROD BUSHING	4474729	000101-UP	280.00	200.00	4392642	101.43	
	SEAL KIT					4475375	1590.46	
	PISTON W.RING					0706410	C/W KIT	
BUCKET (LOADER)	PISTON W.RING	4456959		280.00		4199801	C/W KIT	
	PISTON W.RING			280.00		0317704	165.07	
	ROD BUSHING				200.00	0317704	165.07	
BUCKET (LOADER)	SEAL KIT	4287110	000101-UP	225.00	170.00	4221871	1035.13	
	PISTON W.RING			225.00		0317409	C/W KIT	
	PISTON W.RING			225.00		0242714	C/W KIT	
BUCKET (BACKHOE)	ROD BUSHING	4456420	000101-UP	200.00	170.00	0336604	95.83	
	SEAL KIT					4475377	1369.71	
	PISTON W.RING					0645008	C/W KIT	
	PISTON W.RING					4199817	C/W KIT	
DUMP (LOADER)	ROD BUSHING	4306628	000101-UP	190.00	110.00	0379905	95.83	
	SEAL KIT					4221872	504.93	
	PISTON W.RING					0336808	C/W KIT	
LEVEL (LOADER)	PISTON W.RING	4463378	000101-UP	190.00	110.00	0242512	C/W KIT	
	PISTON W.RING					0336804	67.06	
	ROD BUSHING					0336804	67.06	
LEVEL (LOADER)	SEAL KIT	4463378	000101-UP	280.00	200.00	4475375	1590.46	
	PISTON W.RING					0706410	C/W KIT	
	PISTON W.RING					4199801	C/W KIT	
						0317705	165.07	

All manufacturer's names, part numbers and descriptions are used for reference purposes only. We do not imply that any part shown is the product of these manufacturers.

Remsa [KITS]

Original equipment Hitachi kits do not include the wear rings required to rebuild a cylinder.
The Hitachi kits listed in this catalog do include these wear rings.

EXCAVATORS

HITACHI

Model	Application	Component	Cylinder Group	Serial Number	Bore	Rod	Ref. Number RHIT-	\$	
EX2500	ARM (LOADER)	SEAL KIT	4353409	000103-UP	280.00	200.00	4407490	1941.23	
		PISTON W.RING	4402129		280.00		0706410	C/W KIT	
		PISTON W.RING			280.00		4199801	C/W KIT	
	ARM (BACKHOE)	ROD BUSHING		000103-UP		200.00	4392355	165.07	
		SEAL KIT	4391222		280.00	4392644	1941.23		
		PISTON W.RING	4391223		280.00	0706410	C/W KIT		
	ARM (BACKHOE)	PISTON W.RING		000103-UP		200.00	0317704	165.07	
		SEAL KIT	4402135		280.00	4407493	1860.40		
		PISTON W.RING			280.00	0706410	C/W KIT		
BOOM	PISTON W.RING		000103-UP			200.00	0317704	165.07	
	SEAL KIT	4402128		310.00	4407489	2719.18			
	PISTON W.RING	4402134		310.00	0705713	C/W KIT			
BUCKET (LOADER)	BUCKET (LOADER)	PISTON W.RING	4353407	000103-UP	310.00	230.00	0705714	C/W KIT	
		ROD BUSHING	4384311		230.00		4392641	248.96	
		SEAL KIT	4402131		250.00		4407491	1638.04	
	BUCKET (LOADER)	PISTON W.RING	4402132	250.00	0706705	C/W KIT			
		PISTON W.RING	4353412	250.00	4199809	C/W KIT			
		ROD BUSHING	4353411	180.00	0400306	137.56			
BUCKET (BACKHOE)	BUCKET (BACKHOE)	SEAL KIT	4384313	000103-UP	230.00	170.00	4389075	973.92	
		PISTON W.RING	4402137		230.00		0400211	C/W KIT	
		PISTON W.RING			230.00		0400212	C/W KIT	
	DUMP (LOADER)	ROD BUSHING		000103-UP		170.00	4392642	101.43	
		SEAL KIT	4353413		215.00	4407492	O/R		
		PISTON W.RING	4402133		215.00	0702704	C/W KIT		
LEVEL (LOADER)	LEVEL (LOADER)	PISTON W.RING		000103-UP	215.00	130.00	0392306	C/W KIT	
		ROD BUSHING			130.00		0353004	56.49	
		SEAL KIT	4353410		310.00		4407489	2719.18	
	LEVEL (LOADER)	PISTON W.RING	4402130	310.00	0705713	C/W KIT			
		PISTON W.RING		310.00	0705714	C/W KIT			
		ROD BUSHING		230.00	4392641	248.96			
EX3500	ARM (LOADER)	SEAL KIT	4190753	000101-UP	300.00	220.00	4241175	1638.04	
		PISTON W.RING	4290662		300.00		0317315	C/W KIT	
		PISTON W.RING	4287112		300.00		0317316	C/W KIT	
		ROD BUSHING			220.00		0317304	236.16	
	ARM (BACKHOE)	SEAL KIT	4235573	000101-UP	300.00	220.00	4240174	1638.04	
		PISTON W.RING	4287121		300.00	0317315	C/W KIT		
	BOOM	BOOM	PISTON W.RING		000101-UP	300.00	220.00	0317316	C/W KIT
			ROD BUSHING			220.00		0317304	236.16
			SEAL KIT	4260526		360.00		4210675	2135.29
		BOOM	PISTON W.RING	4190751	360.00	0317216	C/W KIT		
PISTON W.RING				360.00	0317217	C/W KIT			
ROD BUSHING				260.00	0317204	273.76			

All manufacturer's names, part numbers and descriptions are used for reference purposes only. We do not imply that any part shown is the product of these manufacturers.

INDUSTRIAL SEAL KITS

MOBILE SEAL KITS

HITACHI

Original equipment Hitachi kits do not include the wear rings required to rebuild a cylinder.
The Hitachi kits listed in this catalog do include these wear rings.

INDUSTRIAL
SEAL KITS

MOBILE
SEAL KITS

HITACHI

HITACHI

EXCAVATORS

Model	Application	Component	Cylinder Group	Serial Number	Bore	Rod	Ref. Number RHIT-	\$
EX3500-2	BUCKET (LOADER)	SEAL KIT	ALL	000101-UP	280.00	200.00	4210678	1527.19
		PISTON W.RING			280.00		0317715	C/W KIT
		PISTON W.RING			280.00		4199801	C/W KIT
	BUCKET (BACKHOE)	ROD BUSHING	4235574	000101-UP	250.00	200.00	0317704	165.07
		SEAL KIT	4287123		250.00	180.00	4240175	1638.04
		PISTON W.RING			250.00		0339709	C/W KIT
		PISTON W.RING			250.00		4199809	C/W KIT
	DUMP (LOADER)	ROD BUSHING				180.00	0336404	109.54
		SEAL KIT	ALL	000101-UP	225.00	130.00	4210676	744.16
	LEVEL (LOADER)	PISTON W.RING				225.00		0317409
PISTON W.RING					225.00		0242714	C/W KIT
ROD BUSHING						130.00	0317404	62.90
SEAL KIT		4190752	000101-UP	360.00	260.00	4210675	2135.29	
PISTON W.RING		4269005		360.00		0317216	C/W KIT	
ARM (LOADER)	PISTON W.RING	4289731		360.00		0317217	C/W KIT	
	ROD BUSHING				260.00	0317204	273.76	
	SEAL KIT	4190753	000201-UP	300.00	220.00	4241175	1638.04	
	PISTON W.RING	4290662		300.00		0317315	C/W KIT	
ARM (BACKHOE) (WORK VESSEL)	PISTON W.RING	4287112		300.00		0317316	C/W KIT	
	ROD BUSHING	4354550			220.00	0317304	236.16	
	SEAL KIT	ALL	000201-UP	300.00	220.00	4240174	1638.04	
	PISTON W.RING			300.00		0317315	C/W KIT	
BOOM (LOADER)	PISTON W.RING			300.00		0317316	C/W KIT	
	ROD BUSHING				220.00	0317304	236.16	
	SEAL KIT	ALL	000201-UP	360.00	260.00	4210675	2135.29	
BOOM (WORK VESSEL)	PISTON W.RING			360.00		0317216	C/W KIT	
	PISTON W.RING			360.00		0317217	C/W KIT	
	ROD BUSHING				260.00	0317204	273.76	
	SEAL KIT	4226802	000201-UP	360.00	260.00	4240173	2382.91	
	PISTON W.RING	4323993		360.00		0317216	C/W KIT	
BUCKET (LOADER)	PISTON W.RING			360.00		0317217	C/W KIT	
	ROD BUSHING				260.00	0317204	273.76	
	SEAL KIT	ALL	000201-UP	280.00	200.00	4210678	1527.19	
	PISTON W.RING			280.00		0317715	C/W KIT	
BUCKET (BACKHOE)	PISTON W.RING			280.00		4199801	C/W KIT	
	ROD BUSHING				200.00	0317704	165.07	
	SEAL KIT	4235574	000201-UP	250.00	180.00	4240175	1638.04	
LEVEL (LOADER)	PISTON W.RING	4320956		250.00		0339707	C/W KIT	
	PISTON W.RING			250.00		4199809	C/W KIT	
	ROD BUSHING				180.00	0336404	109.54	
	SEAL KIT	4190752	000201-UP	360.00	260.00	4210675	2135.29	
	PISTON W.RING	4269005		360.00		0317216	C/W KIT	
LEVEL (LOADER)	PISTON W.RING	4289731		360.00		0317217	C/W KIT	
	ROD BUSHING				260.00	0317204	273.76	

All manufacturer's names, part numbers and descriptions are used for reference purposes only. We do not imply that any part shown is the product of these manufacturers.

Remsa [KITS]

Original equipment Hitachi kits do not include the wear rings required to rebuild a cylinder.
The Hitachi kits listed in this catalog do include these wear rings.

EXCAVATORS

HITACHI

Model	Application	Component	Cylinder Group	Serial Number	Bore	Rod	Ref. Number RHIT-	\$	
	DUMP (LOADER)	SEAL KIT	ALL	000201-UP	225.00	130.00	4210676	744.16	
		PISTON W.RING			225.00		0317409	C/W KIT	
		PISTON W.RING			225.00		0242714	C/W KIT	
		ROD BUSHING					0317404	62.90	
EX3500-3	ARM (LOADER)	SEAL KIT	4354550	000301-UP	300.00	220.00	4241175	1638.04	
		PISTON W.RING			300.00		0317315	C/W KIT	
		PISTON W.RING			300.00		0317316	C/W KIT	
		ROD BUSHING					0317304	236.16	
	ARM (BACKHOE)	SEAL KIT	4329563	000301-UP	300.00	220.00	4240174	1638.04	
		PISTON W.RING			300.00		0317315	C/W KIT	
		PISTON W.RING			300.00		0317316	C/W KIT	
		ROD BUSHING					0317304	236.16	
	BOOM	SEAL KIT	4312582	000301-UP	360.00	260.00	4210675	2135.29	
		PISTON W.RING			4335676		360.00	0317216	C/W KIT
		PISTON W.RING					360.00	0317217	C/W KIT
		ROD BUSHING					260.00	0317204	273.76
	BUCKET (LOADER)	SEAL KIT	4287114	000301-UP	280.00	200.00	4210678	1527.19	
		PISTON W.RING			4287115		280.00	0317715	C/W KIT
		PISTON W.RING					280.00	4199801	C/W KIT
		ROD BUSHING					200.00	0317704	165.07
	BUCKET (BACKHOE)	SEAL KIT	4320956	000301-UP	250.00	180.00	4240175	1638.04	
		PISTON W.RING					250.00	0339707	C/W KIT
		PISTON W.RING					250.00	4199809	C/W KIT
		ROD BUSHING					180.00	0336404	109.54
	DUMP (LOADER)	SEAL KIT	4306630	000301-UP	225.00	130.00	4210676	744.16	
		PISTON W.RING			4306629		225.00	0317409	C/W KIT
		PISTON W.RING					225.00	0242714	C/W KIT
		ROD BUSHING					130.00	0317404	62.90
	LEVEL (LOADER)	SEAL KIT	4289731	000301-UP	360.00	260.00	4210675	2135.29	
		PISTON W.RING					360.00	0317216	C/W KIT
		PISTON W.RING					360.00	0317217	C/W KIT
		ROD BUSHING					260.00	0317204	273.76
EX5500	ARM	SEAL KIT	4393909	000101-UP	360.00	260.00	4411618	2135.29	
		PISTON W.RING					360.00	0725609	C/W KIT
		PISTON W.RING					360.00	0317217	C/W KIT
		ROD BUSHING					260.00	0317204	273.76
	BOOM	SEAL KIT	4393908	000101-UP	420.00	300.00	4411617	O/R	
		PISTON W.RING					420.00	0725518	C/W KIT
		PISTON W.RING					420.00	0725519	C/W KIT
		ROD BUSHING					300.00	0725506	O/R
	BUCKET	SEAL KIT	4393911	000101-UP	420.00	300.00	4411620	O/R	
		PISTON W.RING			4393912		420.00	0725814	C/W KIT
		PISTON W.RING					420.00	0725815	C/W KIT
		PISTON W.RING					420.00		

All manufacturer's names, part numbers and descriptions are used for reference purposes only. We do not imply that any part shown is the product of these manufacturers.

INDUSTRIAL SEAL KITS

MOBILE SEAL KITS

HITACHI

Original equipment Hitachi kits do not include the wear rings required to rebuild a cylinder.
The Hitachi kits listed in this catalog do include these wear rings.

HITACHI

EXCAVATORS

Model	Application	Component	Cylinder Group	Serial Number	Bore	Rod	Ref. Number RHIT-	\$
	DUMP	ROD BUSHING	4393913	000101-UP		300.00	0725802	O/R
		SEAL KIT			280.00	160.00	4411622	1121.26
		PISTON W.RING			280.00		0706410	C/W KIT
	LEVEL	PISTON W.RING	4393910	000101-UP	280.00		4199801	C/W KIT
		ROD BUSHING				160.00	0400204	84.59
		SEAL KIT			420.00	300.00	4411617	O/R
		PISTON W.RING			420.00		0725518	C/W KIT
		PISTON W.RING			420.00		0725519	C/W KIT
		ROD BUSHING				300.00	0725506	O/R

HITACHI

KIT LISTING

Ref. Number	Desc.	Bore	Rod	\$	Ref. Number	Desc.	Bore	Rod	\$
RHIT-0843808	SEAL KIT	100.00	50.00	78.27	RHIT-4122040	SEAL KIT	150.00	105.00	515.37
RHIT-0843907	SEAL KIT	100.00	55.00	96.84	RHIT-4124367	SEAL KIT	200.00	140.00	1012.12
RHIT-0844705	SEAL KIT	75.00	45.00	71.13	RHIT-4124368	SEAL KIT	250.00	160.00	1994.02
RHIT-0847204	SEAL KIT	75.00	40.00	86.70	RHIT-4124370	SEAL KIT	280.00	190.00	2118.12
RHIT-0850309	SEAL KIT	80.00	45.00	100.63	RHIT-4125182	SEAL KIT	150.00	95.00	488.38
RHIT-1102306	SEAL KIT	115.00	80.00	97.44	RHIT-4125183	SEAL KIT	150.00	105.00	486.23
RHIT-4064635	SEAL KIT	150.00	90.00	161.40	RHIT-4144635	SEAL KIT	100.00	55.00	291.10
RHIT-4064636	SEAL KIT	150.00	95.00	251.55	RHIT-4149828	SEAL KIT	120.00	80.00	161.32
RHIT-4071694	SEAL KIT	125.00	70.00	130.97	RHIT-4150681	SEAL KIT	150.00	95.00	568.32
RHIT-4089551	SEAL KIT	110.00	70.00	300.84	RHIT-4153203	SEAL KIT	125.00	85.00	331.69
RHIT-4089552	SEAL KIT	120.00	80.00	301.04	RHIT-4153205	SEAL KIT	140.00	100.00	463.58
RHIT-4089553	SEAL KIT	110.00	65.00	165.83	RHIT-4153207	SEAL KIT	125.00	80.00	375.02
RHIT-4094457	SEAL KIT	125.00	85.00	213.62	RHIT-4153209	SEAL KIT	130.00	90.00	173.83
RHIT-4094458	SEAL KIT	125.00	85.00	229.69	RHIT-4153211	SEAL KIT	140.00	100.00	254.64
RHIT-4094852	SEAL KIT	170.00	110.00	840.87	RHIT-4153213	SEAL KIT	125.00	80.00	225.41
RHIT-4096957	SEAL KIT	150.00	95.00	500.56	RHIT-4153235	SEAL KIT	170.00	110.00	918.88
RHIT-4096958	SEAL KIT	150.00	105.00	468.12	RHIT-4153236	SEAL KIT	150.00	110.00	579.92
RHIT-4096959	SEAL KIT	150.00	105.00	506.47	RHIT-4153237	SEAL KIT	170.00	110.00	819.95
RHIT-4096960	SEAL KIT	150.00	95.00	457.47	RHIT-4162026	SEAL KIT	170.00	110.00	879.92
RHIT-4101392	SEAL KIT	190.00	120.00	589.32	RHIT-4162027	SEAL KIT	190.00	120.00	621.43
RHIT-4101442	SEAL KIT	120.00	70.00	128.77	RHIT-4162028	SEAL KIT	170.00	110.00	879.92
RHIT-4101443	SEAL KIT	130.00	80.00	169.90	RHIT-4163568	SEAL KIT	140.00	90.00	253.58
RHIT-4101986	SEAL KIT	125.00	80.00	215.31	RHIT-4163569	SEAL KIT	150.00	105.00	208.96
RHIT-4104127	SEAL KIT	130.00	90.00	273.93	RHIT-4163570	SEAL KIT	140.00	90.00	264.11
RHIT-4104131	SEAL KIT	125.00	75.00	244.90	RHIT-4163573	SEAL KIT	150.00	95.00	257.95
RHIT-4117741	SEAL KIT	125.00	85.00	227.49	RHIT-4163813	SEAL KIT	130.00	90.00	256.92
RHIT-4117743	SEAL KIT	125.00	75.00	238.79	RHIT-4163898	SEAL KIT	225.00	150.00	261.96
RHIT-4117745	SEAL KIT	150.00	95.00	500.56	RHIT-4163899	SEAL KIT	240.00	160.00	302.00
RHIT-4117746	SEAL KIT	150.00	105.00	506.47	RHIT-4163900	SEAL KIT	190.00	140.00	213.01
RHIT-4122039	SEAL KIT	150.00	95.00	517.65	RHIT-4163901	SEAL KIT	140.00	80.00	120.71

All manufacturer's names, part numbers and descriptions are used for reference purposes only. We do not imply that any part shown is the product of these manufacturers.

Original equipment Hitachi kits do not include the wear rings required to rebuild a cylinder.
The Hitachi kits listed in this catalog do include these wear rings.

KIT LISTING

HITACHI

Ref. Number	Desc.	Bore	Rod	\$	Ref. Number	Desc.	Bore	Rod	\$
RHIT-4167721	SEAL KIT	170.00	110.00	315.64	RHIT-4221871	SEAL KIT	225.00	170.00	1035.13
RHIT-4167722	SEAL KIT	170.00	110.00	309.64	RHIT-4221871/HT	SEAL KIT	225.00	170.00	588.17
RHIT-4167724	SEAL KIT	140.00	110.00	305.89	RHIT-4221872	SEAL KIT	190.00	110.00	504.93
RHIT-4169353	SEAL KIT	130.00	90.00	183.03	RHIT-4221872/HT	SEAL KIT	190.00	110.00	544.87
RHIT-4171990	SEAL KIT	240.00	160.00	558.80	RHIT-4223636	SEAL KIT	65.00	35.00	119.16
RHIT-4171991	SEAL KIT	225.00	150.00	482.54	RHIT-4236057	SEAL KIT	170.00	115.00	238.65
RHIT-4171992	SEAL KIT	190.00	140.00	453.90	RHIT-4236058	SEAL KIT	190.00	130.00	331.80
RHIT-4171993	SEAL KIT	140.00	80.00	308.95	RHIT-4240173	SEAL KIT	360.00	260.00	2382.91
RHIT-4176980	SEAL KIT	190.00	120.00	340.83	RHIT-4240174	SEAL KIT	300.00	220.00	1638.04
RHIT-4179470	SEAL KIT	150.00	95.00	258.37	RHIT-4240175	SEAL KIT	250.00	180.00	1638.04
RHIT-4187913	SEAL KIT	95.00	65.00	159.36	RHIT-4241175	SEAL KIT	300.00	220.00	1638.04
RHIT-4203830	SEAL KIT	135.00	90.00	238.42	RHIT-4241175/HT	SEAL KIT	300.00	220.00	1841.67
RHIT-4203831	SEAL KIT	145.00	100.00	257.83	RHIT-4246423	SEAL KIT	120.00	70.00	91.22
RHIT-4206018	SEAL KIT	125.00	85.00	135.93	RHIT-4254041	SEAL KIT	200.00	140.00	370.24
RHIT-4206018P	SEAL KIT	125.00	85.00	185.95	RHIT-4254042	SEAL KIT	215.00	150.00	310.50
RHIT-4206019	SEAL KIT	135.00	95.00	200.75	RHIT-4255531	SEAL KIT	170.00	115.00	244.79
RHIT-4206019P	SEAL KIT	135.00	95.00	274.63	RHIT-4255532	SEAL KIT	150.00	115.00	257.55
RHIT-4206020	SEAL KIT	120.00	80.00	151.18	RHIT-4255533	SEAL KIT	100.00	65.00	158.45
RHIT-4206020P	SEAL KIT	120.00	80.00	206.80	RHIT-4256119	SEAL KIT	190.00	130.00	344.91
RHIT-4206340	SEAL KIT	95.00	70.00	106.15	RHIT-4266596	SEAL KIT	215.00	150.00	310.50
RHIT-4206340P	SEAL KIT	95.00	70.00	143.25	RHIT-4266770	SEAL KIT	105.00	75.00	159.21
RHIT-4206343	SEAL KIT	105.00	75.00	98.04	RHIT-4278395	SEAL KIT	230.00	160.00	1156.05
RHIT-4206343P	SEAL KIT	105.00	75.00	134.11	RHIT-4278396	SEAL KIT	260.00	180.00	1697.49
RHIT-4206344	SEAL KIT	115.00	80.00	111.41	RHIT-4278398	SEAL KIT	200.00	170.00	886.40
RHIT-4206345	SEAL KIT	95.00	65.00	103.34	RHIT-4286459	SEAL KIT	105.00	70.00	171.48
RHIT-4206345P	SEAL KIT	95.00	65.00	141.37	RHIT-4286463	SEAL KIT	110.00	80.00	175.03
RHIT-4210675	SEAL KIT	360.00	260.00	2135.29	RHIT-4286739	SEAL KIT	95.00	65.00	153.35
RHIT-4210675/HT	SEAL KIT	360.00	260.00	2738.61	RHIT-4286743	SEAL KIT	95.00	70.00	145.73
RHIT-4210676	SEAL KIT	225.00	130.00	744.16	RHIT-4286774	SEAL KIT	120.00	85.00	149.30
RHIT-4210676/HT	SEAL KIT	225.00	130.00	937.64	RHIT-4286780	SEAL KIT	130.00	95.00	154.48
RHIT-4210678	SEAL KIT	280.00	200.00	1527.19	RHIT-4286782	SEAL KIT	110.00	75.00	147.86
RHIT-4214721	SEAL KIT	100.00	65.00	260.15	RHIT-4286784	SEAL KIT	110.00	75.00	174.44
RHIT-4214722	SEAL KIT	135.00	85.00	221.15	RHIT-4291362	SEAL KIT	200.00	140.00	649.09
RHIT-4216263	SEAL KIT	115.00	80.00	172.52	RHIT-4291368	SEAL KIT	180.00	130.00	521.50
RHIT-4216264	SEAL KIT	120.00	85.00	214.59	RHIT-4301078	SEAL KIT	200.00	150.00	1325.95
RHIT-4216514	SEAL KIT	95.00	65.00	146.42	RHIT-4301079	SEAL KIT	250.00	170.00	1667.26
RHIT-4216515	SEAL KIT	105.00	70.00	150.69	RHIT-4306444	SEAL KIT	115.00	65.00	232.22
RHIT-4216516	SEAL KIT	95.00	60.00	133.29	RHIT-4309996	SEAL KIT	240.00	170.00	886.40
RHIT-4217002	SEAL KIT	115.00	65.00	151.86	RHIT-4314461	SEAL KIT	130.00	80.00	230.74
RHIT-4217003	SEAL KIT	100.00	60.00	144.96	RHIT-4316625	SEAL KIT	130.00	95.00	515.49
RHIT-4217004	SEAL KIT	90.00	55.00	124.59	RHIT-4320954	SEAL KIT	150.00	95.00	254.23
RHIT-4221868/HT	SEAL KIT	280.00	200.00	1888.78	RHIT-4320994	SEAL KIT	95.00	65.00	84.42
RHIT-4221868P	SEAL KIT	280.00	200.00	1156.05	RHIT-4320996	SEAL KIT	95.00	70.00	145.73
RHIT-4221869	SEAL KIT	240.00	180.00	1156.05	RHIT-4320997	SEAL KIT	105.00	75.00	163.99
RHIT-4221869/HT	SEAL KIT	240.00	180.00	1452.96	RHIT-4320999	SEAL KIT	120.00	85.00	134.09

All manufacturer's names, part numbers and descriptions are used for reference purposes only. We do not imply that any part shown is the product of these manufacturers.

INDUSTRIAL
SEAL KITS

MOBILE
SEAL KITS

HITACHI

Original equipment Hitachi kits do not include the wear rings required to rebuild a cylinder.

The Hitachi kits listed in this catalog do include these wear rings.

INDUSTRIAL
SEAL KITS

MOBILE
SEAL KITS

HITACHI

HITACHI

KIT LISTING

Ref. Number	Desc.	Bore	Rod	\$	Ref. Number	Desc.	Bore	Rod	\$
RHIT-4322730	SEAL KIT	145.00	105.00	301.83	RHIT-4407490	SEAL KIT	280.00	200.00	1941.23
RHIT-4323935	SEAL KIT	115.00	75.00	217.16	RHIT-4407491	SEAL KIT	250.00	180.00	1638.04
RHIT-4325945	SEAL KIT	250.00	170.00	968.45	RHIT-4407492	SEAL KIT	215.00	130.00	0/R
RHIT-4340620	SEAL KIT	170.00	115.00	274.82	RHIT-4407493	SEAL KIT	280.00	200.00	1860.40
RHIT-4340621	SEAL KIT	190.00	130.00	362.12	RHIT-4411617	SEAL KIT	420.00	300.00	0/R
RHIT-4348853	SEAL KIT	180.00	125.00	611.89	RHIT-4411618	SEAL KIT	360.00	260.00	2135.29
RHIT-4348854	SEAL KIT	200.00	140.00	841.94	RHIT-4411620	SEAL KIT	420.00	300.00	0/R
RHIT-4348855	SEAL KIT	180.00	130.00	846.39	RHIT-4411622	SEAL KIT	280.00	160.00	1121.26
RHIT-4354824	SEAL KIT	190.00	130.00	505.31	RHIT-4415584	SEAL KIT	130.00	95.00	143.31
RHIT-4363078	SEAL KIT	130.00	65.00	192.50	RHIT-4415585	SEAL KIT	180.00	95.00	407.60
RHIT-4364912	SEAL KIT	105.00	70.00	228.26	RHIT-4436496	SEAL KIT	215.00	150.00	424.73
RHIT-4364913	SEAL KIT	110.00	80.00	202.57	RHIT-4437964	SEAL KIT	190.00	130.00	353.36
RHIT-4364914	SEAL KIT	95.00	65.00	305.99	RHIT-4437965	SEAL KIT	180.00	120.00	488.14
RHIT-4364915	SEAL KIT	120.00	85.00	233.63	RHIT-4438672	SEAL KIT	170.00	115.00	402.92
RHIT-4364916	SEAL KIT	130.00	95.00	282.23	RHIT-4438679	SEAL KIT	190.00	130.00	342.54
RHIT-4369716	SEAL KIT	130.00	95.00	265.64	RHIT-4438681	SEAL KIT	170.00	120.00	276.18
RHIT-4369717	SEAL KIT	180.00	95.00	401.46	RHIT-4438682	SEAL KIT	180.00	140.00	860.63
RHIT-4369718	SEAL KIT	130.00	95.00	265.64	RHIT-4438684	SEAL KIT	200.00	140.00	649.09
RHIT-4369719	SEAL KIT	100.00	95.00	268.16	RHIT-4438693	SEAL KIT	190.00	140.00	412.72
RHIT-4369766	SEAL KIT	95.00	65.00	146.74	RHIT-4438758	SEAL KIT	170.00	115.00	321.95
RHIT-4369767	SEAL KIT	145.00	65.00	172.67	RHIT-4438759	SEAL KIT	200.00	140.00	649.09
RHIT-4369770	SEAL KIT	95.00	70.00	139.57	RHIT-4442368	SEAL KIT	180.00	130.00	521.50
RHIT-4369771	SEAL KIT	110.00	70.00	171.22	RHIT-4448393	SEAL KIT	105.00	75.00	161.43
RHIT-4369772	SEAL KIT	105.00	70.00	182.62	RHIT-4448394	SEAL KIT	95.00	65.00	176.72
RHIT-4369889	SEAL KIT	105.00	75.00	163.99	RHIT-4448395	SEAL KIT	105.00	70.00	292.37
RHIT-4369890	SEAL KIT	110.00	75.00	241.52	RHIT-4448396	SEAL KIT	115.00	80.00	222.65
RHIT-4369892	SEAL KIT	110.00	80.00	154.26	RHIT-4448397	SEAL KIT	100.00	70.00	228.21
RHIT-4369893P	SEAL KIT	115.00	80.00	183.74	RHIT-4448398	SEAL KIT	120.00	85.00	219.85
RHIT-4369901	SEAL KIT	120.00	85.00	207.15	RHIT-4448399	SEAL KIT	135.00	95.00	254.88
RHIT-4369902	SEAL KIT	125.00	85.00	296.40	RHIT-4448400	SEAL KIT	115.00	80.00	236.72
RHIT-4369903P	SEAL KIT	120.00	85.00	233.23	RHIT-4464984	SEAL KIT	115.00	65.00	127.73
RHIT-4369914	SEAL KIT	130.00	95.00	254.56	RHIT-4464985	SEAL KIT	95.00	60.00	118.70
RHIT-4369943	SEAL KIT	145.00	105.00	301.83	RHIT-4464986	SEAL KIT	85.00	55.00	134.70
RHIT-4378931	SEAL KIT	140.00	85.00	275.85	RHIT-4465632	SEAL KIT	260.00	180.00	1697.49
RHIT-4379260	SEAL KIT	95.00	70.00	174.47	RHIT-4465638	SEAL KIT	230.00	160.00	1156.05
RHIT-4379261	SEAL KIT	105.00	75.00	165.83	RHIT-4465641	SEAL KIT	230.00	160.00	1156.05
RHIT-4388027	SEAL KIT	100.00	70.00	317.53	RHIT-4465644	SEAL KIT	240.00	N/A	1594.61
RHIT-4389075	SEAL KIT	230.00	170.00	973.92	RHIT-4465647	SEAL KIT	215.00	170.00	611.89
RHIT-4389719	SEAL KIT	110.00	80.00	247.91	RHIT-4465650	SEAL KIT	200.00	170.00	1350.16
RHIT-4389720	SEAL KIT	115.00	85.00	232.97	RHIT-4465653	SEAL KIT	140.00	85.00	275.85
RHIT-4389721	SEAL KIT	105.00	75.00	329.29	RHIT-4465736	SEAL KIT	120.00	70.00	146.47
RHIT-4392644	SEAL KIT	280.00	200.00	1941.23	RHIT-4467379	SEAL KIT	110.00	80.00	199.23
RHIT-4403998	SEAL KIT	95.00	65.00	176.72	RHIT-4467380	SEAL KIT	120.00	90.00	215.81
RHIT-4405053	SEAL KIT	170.00	120.00	321.17	RHIT-4467381	SEAL KIT	105.00	75.00	148.56
RHIT-4407489	SEAL KIT	310.00	230.00	2719.18	RHIT-4467592	PUMP KIT	N/A	N/A	70.86

All manufacturer's names, part numbers and descriptions are used for reference purposes only. We do not imply that any part shown is the product of these manufacturers.

Remsa [KITS]

Original equipment Hitachi kits do not include the wear rings required to rebuild a cylinder.
The Hitachi kits listed in this catalog do include these wear rings.

KIT LISTING

HITACHI

Ref. Number	Desc.	Bore	Rod	\$	Ref. Number	Desc.	Bore	Rod	\$
RHIT-4475375	SEAL KIT	280.00	200.00	1590.46	RHIT-4681367	SEAL KIT	105.00	60.00	87.20
RHIT-4475376	SEAL KIT	250.00	170.00	1749.74	RHIT-4681368	SEAL KIT	85.00	55.00	92.21
RHIT-4475377	SEAL KIT	200.00	170.00	1369.71	RHIT-4681369	SEAL KIT	80.00	50.00	82.78
RHIT-4475378	SEAL KIT	240.00	180.00	1684.06	RHIT-4S00047	SEAL KIT	280.00	200.00	1861.20
RHIT-4477841	SEAL KIT	135.00	100.00	312.38	RHIT-4S00074	SEAL KIT	225.00	170.00	797.70
RHIT-4485612	SEAL KIT	125.00	90.00	222.92	RHIT-9078843	SEAL KIT	145.00	95.00	255.05
RHIT-4485613	SEAL KIT	140.00	105.00	216.48	RHIT-9078844	SEAL KIT	150.00	105.00	249.61
RHIT-4485614	SEAL KIT	130.00	90.00	204.21	RHIT-9078845	SEAL KIT	145.00	100.00	257.83
RHIT-4485615	SEAL KIT	135.00	95.00	208.64	RHIT-9078846	SEAL KIT	165.00	110.00	412.02
RHIT-4509364	SEAL KIT	180.00	110.00	462.44	RHIT-9103842	SEAL KIT	125.00	90.00	258.49
RHIT-4509365	SEAL KIT	180.00	120.00	468.04	RHIT-9103843	SEAL KIT	135.00	100.00	265.57
RHIT-4614058	SEAL KIT	65.00	40.00	123.04	RHIT-9103844	SEAL KIT	125.00	85.00	259.69
RHIT-4614059	SEAL KIT	85.00	45.00	123.88	RHIT-9113447	SEAL KIT	145.00	100.00	228.77
RHIT-4614069	SEAL KIT	75.00	45.00	80.65	RHIT-9123263	SEAL KIT	145.00	100.00	231.73
RHIT-4622066	SEAL KIT	95.00	45.00	147.30	RHIT-9123264	SEAL KIT	165.00	110.00	303.51
RHIT-4622067	SEAL KIT	105.00	50.00	139.38	RHIT-9123265	SEAL KIT	145.00	95.00	196.65
RHIT-4624394	SEAL KIT	125.00	90.00	238.23	RHIT-9156441	SEAL KIT	135.00	100.00	155.96
RHIT-4627361	SEAL KIT	130.00	90.00	139.43	RHIT-9173710	SEAL KIT	150.00	105.00	261.86
RHIT-4631062	SEAL KIT	140.00	105.00	280.98	RHIT-9175562	SEAL KIT	145.00	100.00	187.02
RHIT-4634033	SEAL KIT	85.00	50.00	109.71	RHIT-9175563	SEAL KIT	165.00	110.00	227.55
RHIT-4634034	SEAL KIT	75.00	45.00	100.61	RHIT-9175564	SEAL KIT	145.00	95.00	229.30
RHIT-4634036	SEAL KIT	80.00	50.00	102.82	RHIT-9178283	SEAL KIT	125.00	90.00	223.37
RHIT-4639936	SEAL KIT	135.00	95.00	275.13	RHIT-9178284	SEAL KIT	135.00	100.00	182.62
RHIT-4639938	SEAL KIT	145.00	100.00	290.19	RHIT-9178294	SEAL KIT	125.00	85.00	228.23
RHIT-4639939	SEAL KIT	135.00	90.00	313.63	RHIT-9180579	SEAL KIT	145.00	100.00	259.76
RHIT-4640107	SEAL KIT	150.00	105.00	490.84	RHIT-9180580	SEAL KIT	135.00	90.00	224.02
RHIT-4640108	SEAL KIT	145.00	95.00	429.08	RHIT-9180581	SEAL KIT	150.00	105.00	326.81
RHIT-4640118	SEAL KIT	170.00	115.00	410.79	RHIT-9180582	SEAL KIT	170.00	115.00	339.03
RHIT-4649049	SEAL KIT	145.00	100.00	273.98	RHIT-9180587	SEAL KIT	135.00	95.00	171.63
RHIT-4649050	SEAL KIT	140.00	100.00	283.01	RHIT-9181751	SEAL KIT	145.00	95.00	225.02
RHIT-4649051	SEAL KIT	170.00	115.00	289.32	RHIT-9206355	SEAL KIT	135.00	95.00	342.20
RHIT-4649053	SEAL KIT	140.00	95.00	226.38	RHIT-9207059	SEAL KIT	140.00	105.00	216.48
RHIT-4649745	SEAL KIT	135.00	95.00	155.05					
RHIT-4649751	SEAL KIT	135.00	90.00	158.21					
RHIT-4649752	SEAL KIT	150.00	105.00	217.03					
RHIT-4650419	SEAL KIT	125.00	90.00	238.23					
RHIT-4650433	SEAL KIT	133.00	90.00	202.19					
RHIT-4653040	SEAL KIT	170.00	115.00	301.55					
RHIT-4653041	SEAL KIT	190.00	130.00	361.90					
RHIT-4653042	SEAL KIT	170.00	120.00	213.50					
RHIT-4654422	SEAL KIT	135.00	95.00	254.88					
RHIT-4660672	SEAL KIT	250.00	170.00	1749.74					
RHIT-4660675	SEAL KIT	250.00	180.00	1638.04					
RHIT-4661485	SEAL KIT	120.00	85.00	236.72					
RHIT-4662069	SEAL KIT	125.00	90.00	238.23					

All manufacturer's names, part numbers and descriptions are used for reference purposes only. We do not imply that any part shown is the product of these manufacturers.

INDUSTRIAL
SEAL KITS

MOBILE
SEAL KITS

HITACHI

HITACHI

ROD BEARING

Ref. Number	Desc.	\$	Ref. Number	Desc.	\$
RHIT-0310604	65.00 - ROD BEARING	17.23	RHIT-4383093	105.00 - ROD BEARING	37.19
RHIT-0657704	65.00 - ROD BEARING	17.91	RHIT-4388309	105.00 - ROD BEARING	42.15
RHIT-0310304	70.00 - ROD BEARING	19.45	RHIT-4432450	105.00 - ROD BEARING	35.28
RHIT-0310504	75.00 - ROD BEARING	21.52	RHIT-0336804	110.00 - ROD BEARING	67.06
RHIT-0309304	80.00 - ROD BEARING	24.80	RHIT-4284534	110.00 - ROD BEARING	67.06
RHIT-0309004	85.00 - ROD BEARING	27.55	RHIT-0352704	115.00 - ROD BEARING	39.84
RHIT-4272960	85.00 - ROD BEARING	27.55	RHIT-4370337	115.00 - ROD BEARING	59.69
RHIT-0325904	90.00 - ROD BEARING	26.57	RHIT-0450506	120.00 - ROD BEARING	38.59
RHIT-4272961	90.00 - ROD BEARING	26.57	RHIT-0317404	130.00 - ROD BEARING	62.90
RHIT-0309204	95.00 - ROD BEARING	29.92	RHIT-0353004	130.00 - ROD BEARING	56.49
RHIT-4171488	95.00 - ROD BEARING	35.21	RHIT-0340104	150.00 - ROD BEARING	78.86
RHIT-4272962	95.00 - ROD BEARING	29.92	RHIT-0400204	160.00 - ROD BEARING	84.59
RHIT-4284535	95.00 - ROD BEARING	35.21	RHIT-0400306	180.00 - ROD BEARING	137.56
RHIT-4272963	100.00 - ROD BEARING	41.35	RHIT-4292355	200.00 - ROD BEARING	137.56
RHIT-0373405	105.00 - ROD BEARING	35.28			

HITACHI

ROD SEAL

Ref. Number	Desc.	\$	Ref. Number	Desc.	\$
RHIT-4070039	55.00 - ROD SEAL	14.89	RHIT-4171484	95.00 - ROD SEAL	26.84
RHIT-0225611	65.00 - ROD SEAL	15.93	RHIT-4070021	100.00 - ROD SEAL	29.36
RHIT-0271309	70.00 - ROD SEAL	18.10	RHIT-4168227	100.00 - ROD SEAL	19.57
RHIT-4508829	70.00 - ROD SEAL	21.74	RHIT-0127408	105.00 - ROD SEAL	36.47
RHIT-0127710	75.00 - ROD SEAL	21.91	RHIT-4069701	110.00 - ROD SEAL	39.18
RHIT-0240911	75.00 - ROD SEAL	19.93	RHIT-4505060	110.00 - ROD SEAL	39.18
RHIT-0208605	80.00 - ROD SEAL	22.19	RHIT-0352706	115.00 - ROD SEAL	39.68
RHIT-0128606	85.00 - ROD SEAL	24.94	RHIT-4069711	120.00 - ROD SEAL	45.48
RHIT-0208305	90.00 - ROD SEAL	24.10	RHIT-4505951	120.00 - ROD SEAL	45.48
RHIT-4039668	90.00 - ROD SEAL	17.31	RHIT-0191405	130.00 - ROD SEAL	43.15
RHIT-4094890	90.00 - ROD SEAL	17.31	RHIT-4094949	140.00 - ROD SEAL	48.89
RHIT-4168226	90.00 - ROD SEAL	35.52	RHIT-4070027	150.00 - ROD SEAL	57.47
RHIT-0127207	95.00 - ROD SEAL	27.08	RHIT-4105385	160.00 - ROD SEAL	68.48
RHIT-0146407	95.00 - ROD SEAL	27.08			
RHIT-4034640	95.00 - ROD SEAL	27.08			

INDUSTRIAL SEAL KITS

MOBILE SEAL KITS

HITACHI

All manufacturer's names, part numbers and descriptions are used for reference purposes only. We do not imply that any part shown is the product of these manufacturers.

Remsa [KITS]

BUFFER RING

HITACHI

Ref. Number	Desc.	\$	Ref. Number	Desc.	\$
RHIT-0201003	55.00 - BUFFER RING	24.79	RHIT-4171486	95.00 - BUFFER RING	35.79
RHIT-0187305	60.00 - BUFFER RING	48.37	RHIT-0208505	100.00 - BUFFER RING	36.36
RHIT-0225613	65.00 - BUFFER RING	23.91	RHIT-4131728	100.00 - BUFFER RING	36.36
RHIT-0409104	65.00 - BUFFER RING	23.91	RHIT-0127407	105.00 - BUFFER RING	41.37
RHIT-0271311	70.00 - BUFFER RING	27.78	RHIT-0127419	105.00 - BUFFER RING	41.37
RHIT-0408804	70.00 - BUFFER RING	24.70	RHIT-0151703	105.00 - BUFFER RING	41.37
RHIT-0158102	75.00 - BUFFER RING	29.63	RHIT-4171487	105.00 - BUFFER RING	41.37
RHIT-0240913	75.00 - BUFFER RING	29.63	RHIT-0165702	110.00 - BUFFER RING	43.18
RHIT-0409605	75.00 - BUFFER RING	29.63	RHIT-0336805	110.00 - BUFFER RING	43.18
RHIT-0174506	80.00 - BUFFER RING	31.93	RHIT-4094814	110.00 - BUFFER RING	43.18
RHIT-0309305	80.00 - BUFFER RING	33.18	RHIT-0165903	120.00 - BUFFER RING	43.26
RHIT-0409004	80.00 - BUFFER RING	31.93	RHIT-4094836	120.00 - BUFFER RING	43.26
RHIT-0128603	85.00 - BUFFER RING	22.99	RHIT-0353005	130.00 - BUFFER RING	44.07
RHIT-0309005	85.00 - BUFFER RING	31.53	RHIT-0380004	130.00 - BUFFER RING	44.07
RHIT-0157801	90.00 - BUFFER RING	31.53	RHIT-0187705	140.00 - BUFFER RING	42.08
RHIT-4108704	90.00 - BUFFER RING	34.68	RHIT-0379807	140.00 - BUFFER RING	42.08
RHIT-4253560	90.00 - BUFFER RING	34.68	RHIT-0242705	150.00 - BUFFER RING	47.00
RHIT-0127205	95.00 - BUFFER RING	35.79	RHIT-0292303	150.00 - BUFFER RING	47.00
RHIT-0127221	95.00 - BUFFER RING	35.79	RHIT-0379906	150.00 - BUFFER RING	47.00
RHIT-0151902	95.00 - BUFFER RING	35.79	RHIT-0336605	170.00 - BUFFER RING	59.46
RHIT-0309205	95.00 - BUFFER RING	35.79			

ROD WIPER

HITACHI

Ref. Number	Desc.	\$	Ref. Number	Desc.	\$
RHIT-4094867	55.00 - ROD WIPER	24.40	RHIT-4171482	95.00 - ROD WIPER	47.88
RHIT-0225610	65.00 - ROD WIPER	28.04	RHIT-0208507	100.00 - ROD WIPER	49.15
RHIT-0271308	70.00 - ROD WIPER	30.09	RHIT-4074008	100.00 - ROD WIPER	31.46
RHIT-4036973	70.00 - ROD WIPER	6.88	RHIT-4131730	100.00 - ROD WIPER	49.15
RHIT-0240910	75.00 - ROD WIPER	32.35	RHIT-0208507	100.00 - ROD WIPER	49.15
RHIT-4103699	75.00 - ROD WIPER	32.35	RHIT-0127409	105.00 - ROD WIPER	47.49
RHIT-0208607	80.00 - ROD WIPER	38.15	RHIT-0237216	105.00 - ROD WIPER	47.49
RHIT-0128607	85.00 - ROD WIPER	43.30	RHIT-4171483	105.00 - ROD WIPER	47.49
RHIT-0208307	90.00 - ROD WIPER	43.30	RHIT-0237310	110.00 - ROD WIPER	50.35
RHIT-4039669	90.00 - ROD WIPER	11.51	RHIT-4505063	110.00 - ROD WIPER	50.35
RHIT-4124849	90.00 - ROD WIPER	46.81	RHIT-0352709	115.00 - ROD WIPER	44.54
RHIT-0127208	95.00 - ROD WIPER	47.88	RHIT-4505954	120.00 - ROD WIPER	55.10
RHIT-0146409	95.00 - ROD WIPER	47.88	RHIT-0257006	130.00 - ROD WIPER	60.29
RHIT-0236920	95.00 - ROD WIPER	47.88	RHIT-0242506	140.00 - ROD WIPER	61.78
RHIT-0309206	95.00 - ROD WIPER	47.88	RHIT-0242707	150.00 - ROD WIPER	64.78
RHIT-4039686	95.00 - ROD WIPER	15.78	RHIT-0242306	160.00 - ROD WIPER	79.88

All manufacturer's names, part numbers and descriptions are used for reference purposes only. We do not imply that any part shown is the product of these manufacturers.

HITACHI

GUIDE ELEMENT

Ref. Number	Desc.	\$	Ref. Number	Desc.	\$
RHIT-0310609	95.00 - GUIDE ELEMENT	8.11	RHIT-4252191	135.00 - GUIDE ELEMENT	15.51
RHIT-0310610	95.00 - GUIDE ELEMENT	18.61	RHIT-0224107	140.00 - GUIDE ELEMENT	12.56
RHIT-0667108	95.00 - GUIDE ELEMENT	16.45	RHIT-0224108	140.00 - GUIDE ELEMENT	24.58
RHIT-0254908	100.00 - GUIDE ELEMENT	47.14	RHIT-0937408	140.00 - GUIDE ELEMENT	13.64
RHIT-0326005	100.00 - GUIDE ELEMENT	9.04	RHIT-0960302	140.00 - GUIDE ELEMENT	13.64
RHIT-0686707	100.00 - GUIDE ELEMENT	23.18	RHIT-4168233	140.00 - GUIDE ELEMENT	30.30
RHIT-0310510	105.00 - GUIDE ELEMENT	47.14	RHIT-4414671	140.00 - GUIDE ELEMENT	14.37
RHIT-0666808	105.00 - GUIDE ELEMENT	29.62	RHIT-0373413	145.00 - GUIDE ELEMENT	39.89
RHIT-0298907	110.00 - GUIDE ELEMENT	28.93	RHIT-0492209	145.00 - GUIDE ELEMENT	12.09
RHIT-0410005	110.00 - GUIDE ELEMENT	9.63	RHIT-0962008	145.00 - GUIDE ELEMENT	13.64
RHIT-0410005	110.00 - GUIDE ELEMENT	9.60	RHIT-4185247	145.00 - GUIDE ELEMENT	32.09
RHIT-0667008	110.00 - GUIDE ELEMENT	12.44	RHIT-4185249	145.00 - GUIDE ELEMENT	14.74
RHIT-0310908	115.00 - GUIDE ELEMENT	19.96	RHIT-4194621	145.00 - GUIDE ELEMENT	14.45
RHIT-0460004	115.00 - GUIDE ELEMENT	13.64	RHIT-4S00803	145.00 - GUIDE ELEMENT	13.64
RHIT-0686405	115.00 - GUIDE ELEMENT	9.60	RHIT-0237219	150.00 - GUIDE ELEMENT	13.76
RHIT-1102304	115.00 - GUIDE ELEMENT	9.60	RHIT-0237220	150.00 - GUIDE ELEMENT	42.15
RHIT-0261308	120.00 - GUIDE ELEMENT	19.96	RHIT-0237220	150.00 - GUIDE ELEMENT	28.00
RHIT-0261308	120.00 - GUIDE ELEMENT	23.18	RHIT-0387305	150.00 - GUIDE ELEMENT	13.76
RHIT-0309309	120.00 - GUIDE ELEMENT	10.10	RHIT-4171490	150.00 - GUIDE ELEMENT	33.63
RHIT-0309309	120.00 - GUIDE ELEMENT	10.34	RHIT-4194622	150.00 - GUIDE ELEMENT	15.86
RHIT-0450508	120.00 - GUIDE ELEMENT	13.64	RHIT-4194623	165.00 - GUIDE ELEMENT	21.15
RHIT-0667206	120.00 - GUIDE ELEMENT	23.18	RHIT-4194624	165.00 - GUIDE ELEMENT	67.99
RHIT-0998904	120.00 - GUIDE ELEMENT	23.18	RHIT-0259306	170.00 - GUIDE ELEMENT	15.28
RHIT-0309009	125.00 - GUIDE ELEMENT	10.59	RHIT-0259307	170.00 - GUIDE ELEMENT	18.61
RHIT-0309009	125.00 - GUIDE ELEMENT	10.67	RHIT-0352712	170.00 - GUIDE ELEMENT	28.93
RHIT-0926604	125.00 - GUIDE ELEMENT	10.59	RHIT-0352712	170.00 - GUIDE ELEMENT	15.28
RHIT-4168234	125.00 - GUIDE ELEMENT	52.52	RHIT-0420109	170.00 - GUIDE ELEMENT	16.45
RHIT-4253562	125.00 - GUIDE ELEMENT	11.28	RHIT-0972106	170.00 - GUIDE ELEMENT	16.45
RHIT-0223707	130.00 - GUIDE ELEMENT	11.51	RHIT-0975411	170.00 - GUIDE ELEMENT	16.45
RHIT-0223713	130.00 - GUIDE ELEMENT	25.36	RHIT-4370063	170.00 - GUIDE ELEMENT	42.15
RHIT-0223713	130.00 - GUIDE ELEMENT	24.58	RHIT-4370064	170.00 - GUIDE ELEMENT	27.50
RHIT-0254309	130.00 - GUIDE ELEMENT	10.10	RHIT-4S00797	170.00 - GUIDE ELEMENT	16.45
RHIT-0409912	130.00 - GUIDE ELEMENT	12.44	RHIT-0242511	190.00 - GUIDE ELEMENT	21.96
RHIT-0417605	130.00 - GUIDE ELEMENT	31.01	RHIT-0242512	190.00 - GUIDE ELEMENT	10.59
RHIT-0657706	130.00 - GUIDE ELEMENT	16.45	RHIT-0242512	190.00 - GUIDE ELEMENT	43.84
RHIT-0667409	130.00 - GUIDE ELEMENT	9.60	RHIT-0336808	190.00 - GUIDE ELEMENT	21.96
RHIT-0932805	130.00 - GUIDE ELEMENT	12.44	RHIT-0420307	190.00 - GUIDE ELEMENT	29.62
RHIT-0974906	130.00 - GUIDE ELEMENT	12.44	RHIT-0972305	190.00 - GUIDE ELEMENT	29.62
RHIT-4431329	130.00 - GUIDE ELEMENT	20.01	RHIT-0400211	230.00 - GUIDE ELEMENT	76.91
RHIT-0309211	135.00 - GUIDE ELEMENT	12.09			
RHIT-0309212	135.00 - GUIDE ELEMENT	25.04			
RHIT-0789110	135.00 - GUIDE ELEMENT	10.34			
RHIT-0962104	135.00 - GUIDE ELEMENT	12.09			
RHIT-4185246	135.00 - GUIDE ELEMENT	29.34			
RHIT-4185248	135.00 - GUIDE ELEMENT	14.24			

INDUSTRIAL SEAL KITS

MOBILE SEAL KITS

HITACHI

All manufacturer's names, part numbers and descriptions are used for reference purposes only. We do not imply that any part shown is the product of these manufacturers.

Remsa [KITS]

BACKUP RING

HITACHI

Ref. Number	Desc.	\$	Ref. Number	Desc.	\$
RHIT-0225612	65.00 - BACKUP RING	8.24	RHIT-4033747	REPLACEMENT BACKUP RING	9.94
RHIT-0271310	70.00 - BACKUP RING	8.24	RHIT-4034645	REPLACEMENT BACKUP RING	7.06
RHIT-0240912	75.00 - BACKUP RING	8.24	RHIT-4034646	REPLACEMENT BACKUP RING	7.45
RHIT-0208606	80.00 - BACKUP RING	9.94	RHIT-4034647	REPLACEMENT BACKUP RING	15.13
RHIT-0208306	90.00 - BACKUP RING	9.94	RHIT-4035029	REPLACEMENT BACKUP RING	6.11
RHIT-0237215	105.00 - BACKUP RING	11.56	RHIT-4035030	REPLACEMENT BACKUP RING	6.11
RHIT-0262403	120.00 - BACKUP RING	12.38	RHIT-4039658	REPLACEMENT BACKUP RING	7.45
RHIT-0133707	REPLACEMENT BACKUP RING	7.30	RHIT-4039660	REPLACEMENT BACKUP RING	17.99
RHIT-0136006	REPLACEMENT BACKUP RING	11.56	RHIT-4061803	REPLACEMENT BACKUP RING	23.62
RHIT-0146416	REPLACEMENT BACKUP RING	7.06	RHIT-4061827	REPLACEMENT BACKUP RING	7.45
RHIT-0166009	REPLACEMENT BACKUP RING	6.78	RHIT-4067085	REPLACEMENT BACKUP RING	20.51
RHIT-0167721	REPLACEMENT BACKUP RING	8.23	RHIT-4067140	REPLACEMENT BACKUP RING	6.39
RHIT-0208308	REPLACEMENT BACKUP RING	5.84	RHIT-4068627	REPLACEMENT BACKUP RING	5.84
RHIT-0208508	REPLACEMENT BACKUP RING	6.50	RHIT-4070047	REPLACEMENT BACKUP RING	8.11
RHIT-0208522	REPLACEMENT BACKUP RING	11.56	RHIT-4087862	REPLACEMENT BACKUP RING	6.78
RHIT-0219405	REPLACEMENT BACKUP RING	7.39	RHIT-4094811	REPLACEMENT BACKUP RING	20.51
RHIT-0223704	REPLACEMENT BACKUP RING	6.25	RHIT-4094816	REPLACEMENT BACKUP RING	11.56
RHIT-0236919	REPLACEMENT BACKUP RING	9.94	RHIT-4094817	REPLACEMENT BACKUP RING	17.99
RHIT-0237217	REPLACEMENT BACKUP RING	7.06	RHIT-4103695	REPLACEMENT BACKUP RING	6.25
RHIT-0237309	REPLACEMENT BACKUP RING	11.56	RHIT-4103705	REPLACEMENT BACKUP RING	9.94
RHIT-0239506	REPLACEMENT BACKUP RING	24.26	RHIT-4104134	REPLACEMENT BACKUP RING	5.84
RHIT-0242307	REPLACEMENT BACKUP RING	34.87	RHIT-4113178	REPLACEMENT BACKUP RING	7.06
RHIT-0242507	REPLACEMENT BACKUP RING	9.03	RHIT-4113180	REPLACEMENT BACKUP RING	20.51
RHIT-0242708	REPLACEMENT BACKUP RING	25.10	RHIT-4170546	REPLACEMENT BACKUP RING	8.23
RHIT-0257007	REPLACEMENT BACKUP RING	9.44	RHIT-4170548	REPLACEMENT BACKUP RING	6.70
RHIT-0257510	REPLACEMENT BACKUP RING	22.84	RHIT-4505081	REPLACEMENT BACKUP RING	17.53
RHIT-0261310	REPLACEMENT BACKUP RING	6.25	RHIT-4505083	REPLACEMENT BACKUP RING	15.13
RHIT-0298904	REPLACEMENT BACKUP RING	6.13	RHIT-4505752	REPLACEMENT BACKUP RING	9.94
RHIT-0309207	REPLACEMENT BACKUP RING	6.39	RHIT-4509747	REPLACEMENT BACKUP RING	8.24
RHIT-0310506	REPLACEMENT BACKUP RING	6.00	RHIT-4510854	REPLACEMENT BACKUP RING	6.50
RHIT-0310606	REPLACEMENT BACKUP RING	5.84	RHIT-4510878	REPLACEMENT BACKUP RING	5.05
RHIT-0317320	REPLACEMENT BACKUP RING	7.38			
RHIT-0317718	REPLACEMENT BACKUP RING	8.23			
RHIT-0336610	REPLACEMENT BACKUP RING	6.33			
RHIT-0379908	REPLACEMENT BACKUP RING	26.14			
RHIT-4007510	REPLACEMENT BACKUP RING	17.99			

All manufacturer's names, part numbers and descriptions are used for reference purposes only. We do not imply that any part shown is the product of these manufacturers.

INDUSTRIAL SEAL KITS

MOBILE SEAL KITS

HITACHI

HITACHI

PISTON SEAL

Ref. Number	Desc.	\$	Ref. Number	Desc.	\$
RHIT-0310608	95.00 - PISTON SEAL	31.61	RHIT-0237218	150.00 - PISTON SEAL	50.63
RHIT-0201006	100.00 - PISTON SEAL	38.15	RHIT-4128769	150.00 - PISTON SEAL	61.76
RHIT-0240915	110.00 - PISTON SEAL	38.93	RHIT-4171492	150.00 - PISTON SEAL	78.85
RHIT-0258205	120.00 - PISTON SEAL	39.86	RHIT-0165703	170.00 - PISTON SEAL	71.89
RHIT-0128611	125.00 - PISTON SEAL	48.05	RHIT-4094809	170.00 - PISTON SEAL	71.89
RHIT-4092193	125.00 - PISTON SEAL	48.05	RHIT-4170547	170.00 - PISTON SEAL	62.81
RHIT-4124860	125.00 - PISTON SEAL	59.23	RHIT-0105707	190.00 - PISTON SEAL	81.51
RHIT-0223706	130.00 - PISTON SEAL	39.86	RHIT-0161603	190.00 - PISTON SEAL	81.51
RHIT-4085439	130.00 - PISTON SEAL	48.05	RHIT-0242510	190.00 - PISTON SEAL	71.47
RHIT-4431271	130.00 - PISTON SEAL	51.16	RHIT-0380006	190.00 - PISTON SEAL	71.47
RHIT-0309210	135.00 - PISTON SEAL	46.58	RHIT-0379811	200.00 - PISTON SEAL	73.62
RHIT-4431272	135.00 - PISTON SEAL	31.37	RHIT-0379911	215.00 - PISTON SEAL	74.93
RHIT-0133505	140.00 - PISTON SEAL	55.40	RHIT-0392305	215.00 - PISTON SEAL	74.93
RHIT-0224106	140.00 - PISTON SEAL	47.09	RHIT-0242712	225.00 - PISTON SEAL	82.24
RHIT-4185245	145.00 - PISTON SEAL	73.02	RHIT-0242310	240.00 - PISTON SEAL	83.85
RHIT-0127210	150.00 - PISTON SEAL	61.76			
RHIT-0127412	150.00 - PISTON SEAL	61.76			
RHIT-0187405	150.00 - PISTON SEAL	61.76			

HITACHI

O-RING

Ref. Number	Desc.	\$	Ref. Number	Desc.	\$
RHIT-0127216	REPLACEMENT ORING	6.92	RHIT-0317406	REPLACEMENT ORING	21.45
RHIT-0127218	REPLACEMENT ORING	2.15	RHIT-0317710	REPLACEMENT ORING	25.64
RHIT-0127414	REPLACEMENT ORING	1.34	RHIT-0317717	REPLACEMENT ORING	9.22
RHIT-0127417	REPLACEMENT ORING	4.49	RHIT-0487862	REPLACEMENT ORING	6.78
RHIT-0128605	REPLACEMENT ORING	6.82	RHIT-0808509	REPLACEMENT ORING	3.74
RHIT-0128609	REPLACEMENT ORING	2.07	RHIT-0939306	REPLACEMENT ORING	0.46
RHIT-0128610	REPLACEMENT ORING	1.73	RHIT-0954488	REPLACEMENT ORING	3.81
RHIT-0128612	REPLACEMENT ORING	8.46	RHIT-0955612	REPLACEMENT ORING	0.52
RHIT-0133704	REPLACEMENT ORING	12.38	RHIT-0984614	REPLACEMENT ORING	0.46
RHIT-0136004	REPLACEMENT ORING	2.21	RHIT-0985098	REPLACEMENT ORING	0.37
RHIT-0146423	REPLACEMENT ORING	0.52	RHIT-4007528	REPLACEMENT ORING	12.78
RHIT-0148310	REPLACEMENT ORING	12.34	RHIT-4007534	REPLACEMENT ORING	6.92
RHIT-0150609	REPLACEMENT ORING	10.98	RHIT-4007535	REPLACEMENT ORING	9.99
RHIT-0150610	REPLACEMENT ORING	24.26	RHIT-4031027	REPLACEMENT ORING	5.55
RHIT-0166010	REPLACEMENT ORING	8.46	RHIT-4033451	REPLACEMENT ORING	5.71
RHIT-0186206	REPLACEMENT ORING	4.37	RHIT-4033751	REPLACEMENT ORING	5.71
RHIT-0208509	REPLACEMENT ORING	3.74	RHIT-4034653	REPLACEMENT ORING	5.71
RHIT-0317319	REPLACEMENT ORING	7.19	RHIT-4034654	REPLACEMENT ORING	6.92
RHIT-0317320	REPLACEMENT ORING	7.38	RHIT-4034655	REPLACEMENT ORING	18.91

All manufacturer's names, part numbers and descriptions are used for reference purposes only. We do not imply that any part shown is the product of these manufacturers.

Remsa [KITS]

O-RING

HITACHI

Ref. Number	Desc.	\$	Ref. Number	Desc.	\$
RHIT-4034656	REPLACEMENT ORING	4.41	RHIT-4506405	REPLACEMENT ORING	0.09
RHIT-4034657	REPLACEMENT ORING	2.58	RHIT-4506408	REPLACEMENT ORING	0.20
RHIT-4034658	REPLACEMENT ORING	0.52	RHIT-4506424	REPLACEMENT ORING	0.58
RHIT-4035039	REPLACEMENT ORING	5.52	RHIT-4506428	REPLACEMENT ORING	0.80
RHIT-4037888	REPLACEMENT ORING	0.66	RHIT-4506430	REPLACEMENT ORING	0.95
RHIT-4038304	REPLACEMENT ORING	5.43	RHIT-A810025	REPLACEMENT ORING	0.27
RHIT-4039611	REPLACEMENT ORING	20.78	RHIT-A810085	REPLACEMENT ORING	4.83
RHIT-4039657	REPLACEMENT ORING	6.92	RHIT-A810125	REPLACEMENT ORING	7.38
RHIT-4039659	REPLACEMENT ORING	9.99	RHIT-A810130	REPLACEMENT ORING	2.21
RHIT-4039678	REPLACEMENT ORING	1.77	RHIT-A810155	REPLACEMENT ORING	4.40
RHIT-4039679	REPLACEMENT ORING	6.92	RHIT-A810165	REPLACEMENT ORING	4.41
RHIT-4040565	REPLACEMENT ORING	8.20	RHIT-A810170	REPLACEMENT ORING	4.49
RHIT-4046608	REPLACEMENT ORING	5.32	RHIT-A811025	REPLACEMENT ORING	0.31
RHIT-4049492	REPLACEMENT ORING	7.38	RHIT-A811030	REPLACEMENT ORING	0.42
RHIT-4049494	REPLACEMENT ORING	5.43	RHIT-A811035	REPLACEMENT ORING	0.53
RHIT-4049565	REPLACEMENT ORING	8.20	RHIT-A811040	REPLACEMENT ORING	0.58
RHIT-4049568	REPLACEMENT ORING	2.66	RHIT-A811045	REPLACEMENT ORING	1.14
RHIT-4068626	REPLACEMENT ORING	5.55	RHIT-A811050	REPLACEMENT ORING	1.21
RHIT-4068628	REPLACEMENT ORING	1.18	RHIT-A811070	REPLACEMENT ORING	1.45
RHIT-4068632	REPLACEMENT ORING	5.32	RHIT-A811075	REPLACEMENT ORING	5.60
RHIT-4068682	REPLACEMENT ORING	5.32	RHIT-A811080	REPLACEMENT ORING	1.76
RHIT-4070046	REPLACEMENT ORING	4.03	RHIT-A811085	REPLACEMENT ORING	1.81
RHIT-4070049	REPLACEMENT ORING	0.46	RHIT-A811090	REPLACEMENT ORING	1.83
RHIT-4087852	REPLACEMENT ORING	5.64	RHIT-A811100	REPLACEMENT ORING	2.04
RHIT-4094815	REPLACEMENT ORING	10.14	RHIT-A811105	REPLACEMENT ORING	2.09
RHIT-4094908	REPLACEMENT ORING	0.36	RHIT-A811110	REPLACEMENT ORING	2.13
RHIT-4095999	REPLACEMENT ORING	6.82	RHIT-A811115	REPLACEMENT ORING	2.15
RHIT-4101722	REPLACEMENT ORING	2.15	RHIT-A811120	REPLACEMENT ORING	2.34
RHIT-4103701	REPLACEMENT ORING	1.60	RHIT-A811125	REPLACEMENT ORING	2.38
RHIT-4104135	REPLACEMENT ORING	2.04	RHIT-A811130	REPLACEMENT ORING	2.40
RHIT-4104498	REPLACEMENT ORING	0.36	RHIT-A811135	REPLACEMENT ORING	2.81
RHIT-4105424	REPLACEMENT ORING	0.89	RHIT-A811140	REPLACEMENT ORING	5.01
RHIT-4113165	REPLACEMENT ORING	11.26	RHIT-A811145	REPLACEMENT ORING	2.88
RHIT-4123441	REPLACEMENT ORING	51.07	RHIT-A811150	REPLACEMENT ORING	6.14
RHIT-4123447	REPLACEMENT ORING	2.21	RHIT-A811160	REPLACEMENT ORING	7.61
RHIT-4138931	REPLACEMENT ORING	0.89	RHIT-A811180	REPLACEMENT ORING	10.58
RHIT-4140487	REPLACEMENT ORING	20.78	RHIT-A811190	REPLACEMENT ORING	10.81
RHIT-4140491	REPLACEMENT ORING	21.25	RHIT-A812180	REPLACEMENT ORING	10.58
RHIT-4203611	REPLACEMENT ORING	2.38			
RHIT-4253563	REPLACEMENT ORING	5.32			
RHIT-4505080	REPLACEMENT ORING	10.70			
RHIT-4505082	REPLACEMENT ORING	10.14			

All manufacturer's names, part numbers and descriptions are used for reference purposes only. We do not imply that any part shown is the product of these manufacturers.

INDUSTRIAL
SEAL KITS

MOBILE
SEAL KITS

HITACHI

HITACHI

ROD BUSHING

Ref. Number	Desc.	\$	Ref. Number	Desc.	\$
RHIT-4004676	55.00 - ROD BUSHING	16.49	RHIT-0353004	130.00 - ROD BUSHING	56.49
RHIT-0331004	60.00 - ROD BUSHING	18.53	RHIT-0242504	140.00 - ROD BUSHING	95.55
RHIT-0330904	65.00 - ROD BUSHING	23.08	RHIT-0379806	140.00 - ROD BUSHING	89.93
RHIT-0444706	65.00 - ROD BUSHING	20.30	RHIT-0242704	150.00 - ROD BUSHING	95.83
RHIT-0453507	65.00 - ROD BUSHING	20.30	RHIT-0340104	150.00 - ROD BUSHING	78.86
RHIT-0310604	65.00 - ROD BUSHING	17.23	RHIT-0379905	150.00 - ROD BUSHING	95.83
RHIT-0657704	65.00 - ROD BUSHING	17.91	RHIT-0242304	160.00 - ROD BUSHING	106.58
RHIT-0310304	70.00 - ROD BUSHING	19.45	RHIT-0400204	160.00 - ROD BUSHING	84.59
RHIT-0310504	75.00 - ROD BUSHING	21.52	RHIT-0336604	170.00 - ROD BUSHING	95.83
RHIT-0242604	80.00 - ROD BUSHING	30.54	RHIT-0496004	170.00 - ROD BUSHING	101.43
RHIT-0309304	80.00 - ROD BUSHING	24.80	RHIT-4392642	170.00 - ROD BUSHING	101.43
RHIT-0309004	85.00 - ROD BUSHING	27.55	RHIT-0336404	180.00 - ROD BUSHING	109.54
RHIT-4272960	85.00 - ROD BUSHING	27.55	RHIT-0400306	180.00 - ROD BUSHING	137.56
RHIT-4284533	90.00 - ROD BUSHING	38.43	RHIT-0317704	200.00 - ROD BUSHING	165.07
RHIT-0325904	90.00 - ROD BUSHING	26.57	RHIT-0317705	200.00 - ROD BUSHING	165.07
RHIT-4272961	90.00 - ROD BUSHING	26.57	RHIT-4292355	200.00 - ROD BUSHING	0.00
RHIT-0309204	95.00 - ROD BUSHING	29.92	RHIT-4392355	200.00 - ROD BUSHING	165.07
RHIT-4171488	95.00 - ROD BUSHING	35.21	RHIT-0317304	220.00 - ROD BUSHING	236.16
RHIT-4272962	95.00 - ROD BUSHING	29.92	RHIT-4392641	230.00 - ROD BUSHING	248.96
RHIT-4284535	95.00 - ROD BUSHING	35.21	RHIT-0317204	260.00 - ROD BUSHING	273.76
RHIT-4272963	100.00 - ROD BUSHING	41.35	RHIT-0725506	300.00 - ROD BUSHING	O/R
RHIT-4284532	100.00 - ROD BUSHING	95.55	RHIT-0725802	300.00 - ROD BUSHING	O/R
RHIT-0373405	105.00 - ROD BUSHING	35.28			
RHIT-4290509	105.00 - ROD BUSHING	51.05			
RHIT-4383093	105.00 - ROD BUSHING	37.19			
RHIT-4388309	105.00 - ROD BUSHING	0.00			
RHIT-4432450	105.00 - ROD BUSHING	35.28			
RHIT-0336804	110.00 - ROD BUSHING	67.06			
RHIT-4284534	110.00 - ROD BUSHING	67.06			
RHIT-0352704	115.00 - ROD BUSHING	39.84			
RHIT-4370337	115.00 - ROD BUSHING	0.00			
RHIT-0450506	120.00 - ROD BUSHING	38.59			
RHIT-0643006	125.00 - ROD BUSHING	53.58			
RHIT-0317404	130.00 - ROD BUSHING	62.90			

INDUSTRIAL
SEAL KITS

MOBILE
SEAL KITS

HITACHI

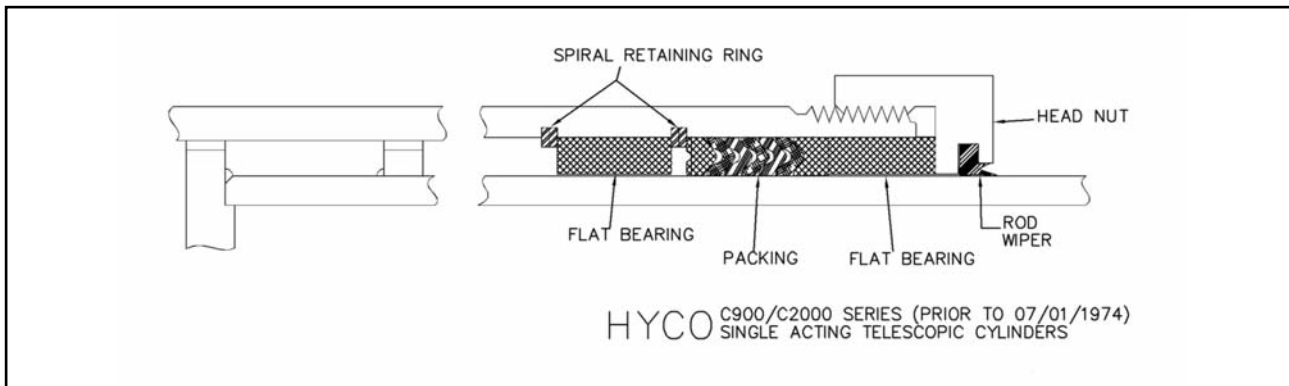
All manufacturer's names, part numbers and descriptions are used for reference purposes only. We do not imply that any part shown is the product of these manufacturers.

**TELESCOPIC CYLINDERS
C900/C2000 SERIES - SINGLE ACTING
Manufactured before 08/1974**

INDUSTRIAL
SEAL KITS

MOBILE
SEAL KITS

HYCO



STAGE O.D.'S:	3, 4, 5, 6, 7, 8, 8.125, 8.250, 9.375, 9.750"
IDENTIFICATION:	CYLINDER MODEL NUMBER AND SERIAL NUMBER STAMPED ON METAL TAG APPLIED TO CYLINDER BODY.
ROD WIPERS:	POLYURETHANE - SNAP IN TYPE (1)
BEARINGS:	NYLON FLAT (1)
PACKING:	VEE PACKING
RETAINING RING:	STEEL SPIRAL RETAINING RING (2)

V.set & Wiper

Bearings - Nylon

Ref. Number	Desc.	\$	Ref. Number	Desc.	\$
RHYC-02000VW	02.000" STAGE - V.SET & WIPER	13.32	RHYC-A2475/N	03.000" STAGE - BEARING	9.53
RHYC-03000VW	03.000" STAGE - V.SET & WIPER	13.62	RHYC-A2227/N	04.000" STAGE - BEARING	9.53
RHYC-04000VW	04.000" STAGE - V.SET & WIPER	15.13	RHYC-A2226/N	05.000" STAGE - BEARING	10.03
RHYC-05000VW	05.000" STAGE - V.SET & WIPER	20.91	RHYC-A2225/N	06.000" STAGE - BEARING	11.87
RHYC-06000VW	06.000" STAGE - V.SET & WIPER	25.49	RHYC-A2411/N	07.000" STAGE - BEARING	12.92
RHYC-07000VW	07.000" STAGE - V.SET & WIPER	29.77	RHYC-A2447/N	08.000" STAGE - BEARING	15.65
RHYC-08000VW	08.000" STAGE - V.SET & WIPER	33.52	RHYC-A3438/N	08.250" STAGE - BEARING	29.64
RHYC-08125VW	08.125" STAGE - V.SET & WIPER	58.04	RHYC-A18415/N	09.000" STAGE - BEARING	55.02
RHYC-08250VW	08.250" STAGE - V.SET & WIPER	76.64			
RHYC-09000VW	09.000" STAGE - V.SET & WIPER	87.09			
RHYC-09125VW	09.125" STAGE - V.SET & WIPER	110.74			
RHYC-09375VW	09.375" STAGE - V.SET & WIPER	87.25			
RHYC-09750VW	09.750" STAGE - V.SET & WIPER	165.69			

All manufacturer's names, part numbers and descriptions are used for reference purposes only. We do not imply that any part shown is the product of these manufacturers.

Vee Packing & Wiper Sets Multiple Stage Kits

Ref. Number	Desc.	\$	Ref. Number	Desc.	\$
RHYC-35	3.000" - 5.000" PACK KIT	49.97	RHYC-49	4.000" - 9.000" PACK KIT	216.65
RHYC-36	3.000" - 6.000" PACK KIT	76.25	RHYC-57	5.000" - 7.000" PACK KIT	77.96
RHYC-38	3.000" - 8.000" PACK KIT	141.10	RHYC-58	5.000" - 8.000" PACK KIT	112.32
RHYC-46	4.000" - 6.000" PACK KIT	62.38	HYC-59-3/4	5.000" - 9.750" PACK KIT	0/R
RHYC-47	4.000" - 7.000" PACK KIT	92.77			
RHYC-48	4.000" - 8.000" PACK KIT	126.97			
RHYC-48-1/4	4.000" - 8.125" PACK KIT	171.64			

Bearings - Bronze

Ref. Number	Desc.	\$
RHYC-A2475	03.000" STAGE - BEARING	32.15
RHYC-A2227	04.000" STAGE - BEARING	62.02
RHYC-A2226	05.000" STAGE - BEARING	51.69
RHYC-A2225	06.000" STAGE - BEARING	59.22
RHYC-A2411	07.000" STAGE - BEARING	88.85
RHYC-A2447	08.000" STAGE - BEARING	92.75
RHYC-A3438	08.250" STAGE - BEARING	130.18
RHYC-A18415	09.000" STAGE - BEARING	76.31
RHYC-A8308	09.750" STAGE - BEARING(TOP)	222.73
RHYC-A8258	09.750" STAGE - BEARING(BTM)	0/R

Spiral Retainers

Ref. Number	Desc.	\$
RHYC-A2477	03.000" STAGE - SPIRAL RETAINER	3.88
RHYC-A17794	04.000" STAGE - SPIRAL RETAINER	9.24
RHYC-A17793	05.000" STAGE - SPIRAL RETAINER	9.46
RHYC-A2228	06.000" STAGE - SPIRAL RETAINER	7.32
RHYC-A3012	07.000" STAGE - SPIRAL RETAINER	9.70
RHYC-A3013	08.000" STAGE - SPIRAL RETAINER	12.02
RHYC-A4616	08.250" STAGE - SPIRAL RETAINER	68.87
RHYC-A18387	09.000" STAGE - SPIRAL RETAINER	58.05
RHYC-A8246	09.750" STAGE - SPIRAL RETAINER	101.15

Bearings - Nylon

Ref. Number	Desc.	\$
RHYC-NYB38	(2) 3.000 - 8.000" - BEARINGS	139.27
RHYC-NYB46	(2) 4.000 - 6.000" - BEARINGS	62.97
RHYC-NYB47	(2) 4.000 - 7.000" - BEARINGS	88.86
RHYC-NYB48	(2) 4.000 - 8.000" - BEARINGS	120.17
RHYC-NYB48/1/4	(2) 4.000 - 8.250" - BEARINGS	148.17
RHYC-NYB49	(2) 4.000 - 9.000" - BEARINGS	225.74
RHYC-NYB57	(2) 5.000 - 7.000" - BEARINGS	69.72
RHYC-NYB58	(2) 5.000 - 8.000" - BEARINGS	101.02

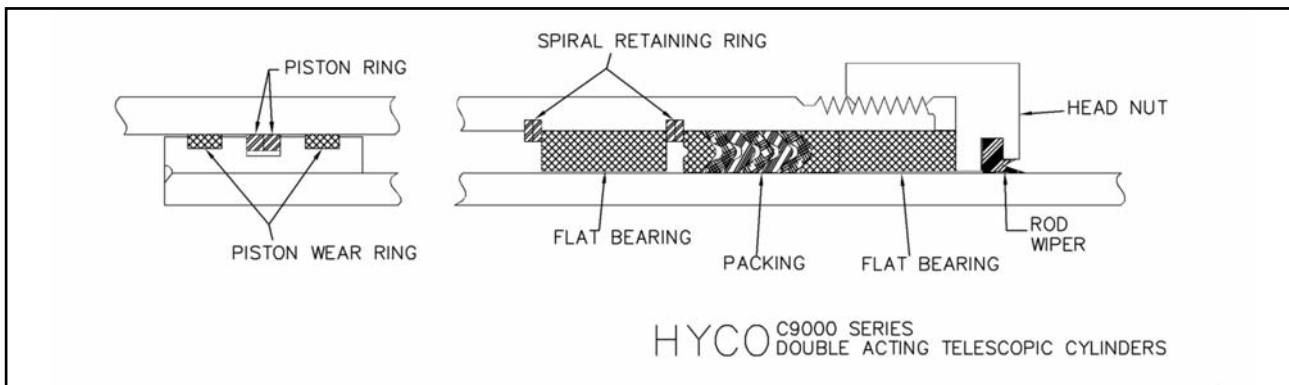
Spiral Retainers Sets

Ref. Number	Desc.	\$
RHYC-SR48	2 ea. 4" - 8" Spiral Retainers	\$100.60
RHYC-SR49	2 ea. 4" - 9" Spiral Retainers	223.68
RHYC-SR58	2 ea. 5" - 8" Spiral Retainers	80.67

All manufacturer's names, part numbers and descriptions are used for reference purposes only. We do not imply that any part shown is the product of these manufacturers.

TELESCOPIC CYLINDERS C9000 SERIES - DOUBLE ACTING

HYCO



STAGE O.D.'S:	3, 4, 5, 6, 7, 8, 8.125, 8.250, 9.375, 9.750"
IDENTIFICATION:	CYLINDER MODEL NUMBER AND SERIAL NUMBER STAMPED ON METAL TAG APPLIED TO CYLINDER BODY.
ROD WIPERS:	POLYURETHANE - SNAP IN TYPE (1)
BEARINGS:	NYLON FLAT (2)
PACKING:	VEE PACKING
	UP TO 8.125" - 0.250" C/S
	8.250" - 0.375" C/S
	9.375" - 0.250" C/S
	9.750" - 0.375" C/S
RETAINING RING:	STEEL SPIRAL RETAINING RING (2)
PISTON:	CAST IRON - PISTON RINGS (2) - COMMON GROOVE NYLON - WEAR RING (2) - 0.500" WIDE

V.set & Wiper

Ref. Number	Desc.	\$
RHYC-02000VW	02.000" STAGE - V.SET & WIPER	13.32
RHYC-03000VW	03.000" STAGE - V.SET & WIPER	13.62
RHYC-04000VW	04.000" STAGE - V.SET & WIPER	15.13
RHYC-05000VW	05.000" STAGE - V.SET & WIPER	20.91
RHYC-06000VW	06.000" STAGE - V.SET & WIPER	25.49
RHYC-07000VW	07.000" STAGE - V.SET & WIPER	29.77
RHYC-08000VW	08.000" STAGE - V.SET & WIPER	33.52
RHYC-08125VW	08.125" STAGE - V.SET & WIPER	58.04
RHYC-08250VW	08.250" STAGE - V.SET & WIPER	76.64
RHYC-09000VW	09.000" STAGE - V.SET & WIPER	87.09
RHYC-09125VW	09.125" STAGE - V.SET & WIPER	110.74
RHYC-09375VW	09.375" STAGE - V.SET & WIPER	87.25
RHYC-09750VW	09.750" STAGE - V.SET & WIPER	165.69

Bearings - Nylon

Ref. Number	Desc.	\$
RHYC-A2475/N	03.000" STAGE - BEARING	9.53
RHYC-A2227/N	04.000" STAGE - BEARING	9.53
RHYC-A2226/N	05.000" STAGE - BEARING	10.03
RHYC-A2225/N	06.000" STAGE - BEARING	11.87
RHYC-A2411/N	07.000" STAGE - BEARING	12.92
RHYC-A2447/N	08.000" STAGE - BEARING	15.65
RHYC-A3438/N	08.250" STAGE - BEARING	29.64
RHYC-A18415/N	09.000" STAGE - BEARING	55.02

Nylon Piston Wear Ring Kits

Ref. Number	Desc.	\$
RHYC-NPB48	2 ea. 4-1/2"-8-1/2" Piston Wear Rings	\$50.90
RHYC-NPB49	2 ea. 4-1/2"-9-3/4" Piston Wear Rings	72.63

Piston Ring Sets

Ref. Number	Desc.	\$
RHYC-PR48	(2) 4.500 - 8.500" - PISTON RINGS	\$200.36
RHYC-PR49	(2) 4.500 - 9.750" - PISTON RINGS	290.86

All manufacturer's names, part numbers and descriptions are used for reference purposes only. We do not imply that any part shown is the product of these manufacturers.

INDUSTRIAL
SEAL KITS

MOBILE
SEAL KITS

HYCO

HYCO

TELESCOPIC CYLINDERS C9000 SERIES - DOUBLE ACTING

Bearings - Bronze

Ref. Number	Desc.	\$
RHYC-A2475	03.000" STAGE - BEARING	32.15
RHYC-A2227	04.000" STAGE - BEARING	62.02
RHYC-A2226	05.000" STAGE - BEARING	51.69
RHYC-A2225	06.000" STAGE - BEARING	59.22
RHYC-A2411	07.000" STAGE - BEARING	88.85
RHYC-A2447	08.000" STAGE - BEARING	92.75
RHYC-A3438	08.250" STAGE - BEARING	130.18
RHYC-A18415	09.000" STAGE - BEARING	76.31
RHYC-A8308	09.750" STAGE - BEARING(TOP)	223.60
RHYC-A825	09.750" STAGE - BEARING(BTM)	228.08

Spiral Retainers

Ref. Number	Desc.	\$
RHYC-A2477	03.000" STAGE - SPIRAL RETAINER	3.88
RHYC-A17794	04.000" STAGE - SPIRAL RETAINER	9.24
RHYC-A17793	05.000" STAGE - SPIRAL RETAINER	9.46
RHYC-A2228	06.000" STAGE - SPIRAL RETAINER	7.32
RHYC-A3012	07.000" STAGE - SPIRAL RETAINER	9.70
RHYC-A3013	08.000" STAGE - SPIRAL RETAINER	12.02
RHYC-A4616	08.250" STAGE - SPIRAL RETAINER	68.87
RHYC-A18387	09.000" STAGE - SPIRAL RETAINER	58.05
RHYC-A8246	09.750" STAGE - SPIRAL RETAINER	101.15

Piston Rings - Cast Iron

Ref. Number	Desc.	\$
RHYC-A18029	04.000" STAGE - PISTON RING	10.95
RHYC-A18028	05.000" STAGE - PISTON RING	15.03
RHYC-A18027	06.000" STAGE - PISTON RING	18.05
RHYC-A18026	07.000" STAGE - PISTON RING	27.36
RHYC-A18025	08.000" STAGE - PISTON RING	38.30
RHYC-A18385	09.000" STAGE - PISTON RING	60.86

Piston Wear Rings - Nylon

Ref. Number	Desc.	\$
RHYC-10764/400	04.000" STAGE - PISTON W.RING	3.92
RHYC-10764/500	05.000" STAGE - PISTON W.RING	3.92
RHYC-10764/600	06.000" STAGE - PISTON W.RING	5.14
RHYC-10764/700	07.000" STAGE - PISTON W.RING	5.14
RHYC-10764/800	08.000" STAGE - PISTON W.RING	6.20
RHYC-10764/900	09.000" STAGE - PISTON W.RING	10.58

INDUSTRIAL
SEAL KITS

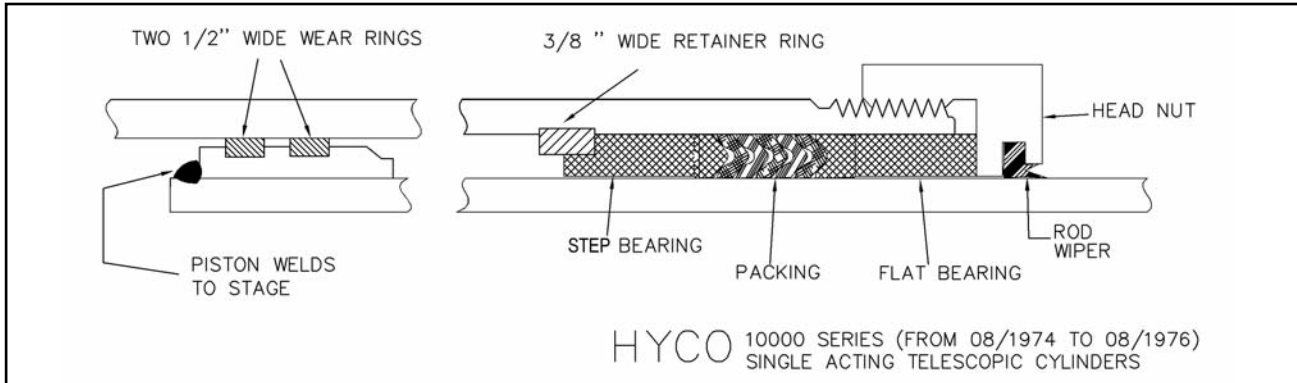
MOBILE
SEAL KITS

HYCO

All manufacturer's names, part numbers and descriptions are used for reference purposes only. We do not imply that any part shown is the product of these manufacturers.

TELESCOPIC CYLINDERS 10000 SERIES - SINGLE ACTING (From 08/1974 Through 08/1976)

HYCO



STAGE O.D.'S:	3, 4, 5, 6, 7, 8, 8.125"
IDENTIFICATION:	CYLINDER MODEL NUMBER AND SERIAL NUMBER STAMPED ON CYLINDER NEAR BASE.
ROD WIPERS:	HARD BLACK NYLON. DOES NOT SNAP INTO A GROOVE. WIPER IS "TRAPPED" BETWEEN HEAD NUT AND TOP BEARING.
BEARINGS:	GLASS FILLED NYLON. OUTER BEARING SERVES AS TOP ADAPTER FOR VEE SET. INNER BEARING IS "STEP-CUT" TO PILOT OVER SNAP RING.
PACKING:	VEE PACKING. OUTER BEARING SERVES AS TOP ADAPTER FOR VEE SET.
PISTON:	WELDED TO STAGE. USES 2 REPLACEABLE 0.500" WIDE WEAR RINGS. PISTONS ARE OPEN THROUGH TO BOTTOM; THEY HAVE NO "PLUG" SO A SMALLER STAGE WILL PASS OUT THROUGH TO BOTTOM OF THE PISTON ON A LARGER STAGE WHEN THE HEAD NUT IS REMOVED AN THE STAGES ARE REMOVED FROM THE CYLINDER BODY.
SPECIAL INFO:	0.375" SPRING STEEL SNAP RING SERVES AS INTERNAL STOP. ROD EYE THREADS INTO STAGE.

V.Set, Bearings & Wiper Kits

Ref. Number	Desc.	\$
RHYC-11426/300	03.000" STAGE - V.SET/BRGS/WIPER	44.77
RHYC-11426/400	04.000" STAGE - V.SET/BRGS/WIPER	44.94
RHYC-11426/500	05.000" STAGE - V.SET/BRGS/WIPER	54.68
RHYC-11426/600	06.000" STAGE - V.SET/BRGS/WIPER	60.82
RHYC-11426/700	07.000" STAGE - V.SET/BRGS/WIPER	78.17
RHYC-11426/800	08.000" STAGE - V.SET/BRGS/WIPER	98.24
RHYC-11426/825	08.250" STAGE - V.SET/BRGS/WIPER	193.43

Retainer Rings

Ref. Number	Desc.	\$
RHYC-B9971/450	04.000" STAGE - RETAINER RING	42.58
RHYC-B9971/550	05.000" STAGE - RETAINER RING	40.37
RHYC-B9971/650	06.000" STAGE - RETAINER RING	40.51
RHYC-B9971/750	07.000" STAGE - RETAINER RING	40.95
RHYC-B9971/850	08.000" STAGE - RETAINER RING	56.98
RHYC-B9971/900	08.250" STAGE - RETAINER RING	119.42

Piston Wear Rings - Nylon

Ref. Number	Desc.	\$
RHYC-10764/400	04.000" STAGE - PISTON W.RING	3.92
RHYC-10764/500	05.000" STAGE - PISTON W.RING	3.92
RHYC-10764/600	06.000" STAGE - PISTON W.RING	5.14
RHYC-10764/700	07.000" STAGE - PISTON W.RING	5.14
RHYC-10764/800	08.000" STAGE - PISTON W.RING	6.20
RHYC-10764/825	08.250" STAGE - PISTON W.RING	9.90

All manufacturer's names, part numbers and descriptions are used for reference purposes only. We do not imply that any part shown is the product of these manufacturers.

INDUSTRIAL SEAL KITS
MOBILE SEAL KITS

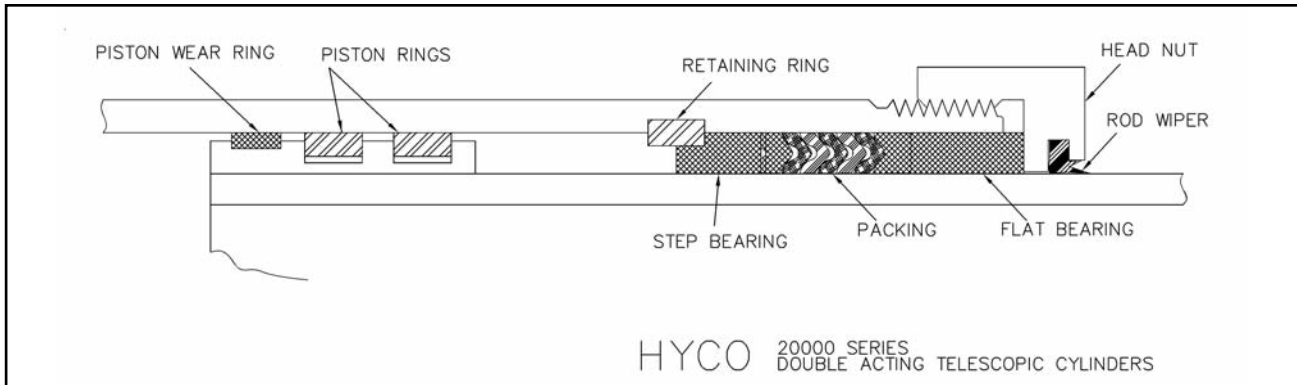
HYCO

Multiple Stage Kits

Ref. Number	Desc.	\$
RHYC-11426/48	4.000" - 8.000" PACK KIT	266.07

HYCO

TELESCOPIC CYLINDERS 20000 SERIES - DOUBLE ACTING



STAGE O.D.'S:	3, 4, 5, 6, 7, 8, 8.125, 8.250, 9.375, 9.750"
IDENTIFICATION:	CYLINDER MODEL NUMBER AND SERIAL NUMBER STAMPED ON CYLINDER BODY NEAR BASE
ROD WIPERS:	POLYURETHANE - SNAP IN TYPE (1)
BEARINGS:	NYLON FLAT (2)
PACKING:	VEE PACKING
RETAINING RING:	SPRING STEEL RETAINING RING (1) - 0.375" WIDE
PISTON:	CAST IRON - PISTON RINGS (2) - SEPARATE GROOVES NYLON - WEAR RING (1) - 0.500" WIDE
	UP TO 8.125" - 0.250" C/S
	8.250" - 0.375" C/S
	9.375" - 0.250" C/S
	9.750" - 0.375" C/S

V.Set, Bearings & Wiper Kits

Retainer Rings

Ref. Number	Desc.	\$	Ref. Number	Desc.	\$
RHYC-14411/300	03.000" STAGE - V.SET/BRGS/WIPER	30.50	RHYC-B9971/350	03.000" STAGE - RETAINER RING	57.25
RHYC-14411/400	04.000" STAGE - V.SET/BRGS/WIPER	30.50	RHYC-B9971/450	04.000" STAGE - RETAINER RING	42.58
RHYC-14411/500	05.000" STAGE - V.SET/BRGS/WIPER	42.35	RHYC-B9971/550	05.000" STAGE - RETAINER RING	40.37
RHYC-14411/600	06.000" STAGE - V.SET/BRGS/WIPER	44.47	RHYC-B9971/650	06.000" STAGE - RETAINER RING	40.51
RHYC-14411/700	07.000" STAGE - V.SET/BRGS/WIPER	57.72	RHYC-B9971/750	07.000" STAGE - RETAINER RING	40.95
RHYC-14411/800	08.000" STAGE - V.SET/BRGS/WIPER	87.41	RHYC-B9971/850	08.000" STAGE - RETAINER RING	56.98
RHYC-14411/812	08.125" STAGE - V.SET/BRGS/WIPER	121.64	RHYC-B9971/862	08.125" STAGE - RETAINER RING	72.73
RHYC-14411/825	08.250" STAGE - V.SET/BRGS/WIPER	164.60	RHYC-B9971/900	08.250" STAGE - RETAINER RING	119.42
RHYC-14411/900	09.000" STAGE - V.SET/BRGS/WIPER	187.88	RHYC-B9971/970	09.125" STAGE - RETAINER RING	167.92
RHYC-14411/912	09.125" STAGE - V.SET/BRGS/WIPER	169.09	RHYC-B9971/988	09.375" STAGE - RETAINER RING	143.07
RHYC-14411/938	09.375" STAGE - V.SET/BRGS/WIPER	161.47			

All manufacturer's names, part numbers and descriptions are used for reference purposes only. We do not imply that any part shown is the product of these manufacturers.

TELESCOPIC CYLINDERS 20000 SERIES - DOUBLE ACTING

HYCO

Piston Wear Rings - Nylon

Ref. Number	Desc.	\$
RHYC-10764/300	03.000" STAGE - PISTON W.RING	3.67
RHYC-10764/400	04.000" STAGE - PISTON W.RING	3.92
RHYC-10764/500	05.000" STAGE - PISTON W.RING	3.92
RHYC-10764/600	06.000" STAGE - PISTON W.RING	5.14
RHYC-10764/700	07.000" STAGE - PISTON W.RING	5.14
RHYC-10764/800	08.000" STAGE - PISTON W.RING	6.20
RHYC-10764/812	08.125" STAGE - PISTON W.RING	9.21
RHYC-10764/825	08.250" STAGE - PISTON W.RING	9.90
RHYC-10764/900	09.000" STAGE - PISTON W.RING	10.58
RHYC-10764/938	09.375" STAGE - PISTON W.RING	17.34

Piston Rings - Cast Iron

Ref. Number	Desc.	\$
RHYC-B12071/300	03.000" STAGE - PISTON RING	43.60
RHYC-B12071/400	04.000" STAGE - PISTON RING	23.80
RHYC-B12071/500	05.000" STAGE - PISTON RING	28.71
RHYC-B12071/600	06.000" STAGE - PISTON RING	33.57
RHYC-B12071/700	07.000" STAGE - PISTON RING	36.79
RHYC-B12071/800	08.000" STAGE - PISTON RING	41.52
RHYC-B12071/812	08.125" STAGE - PISTON RING	77.47
RHYC-B12071/900	09.000" STAGE - PISTON RING	53.82
RHYC-B12071/938	09.375" STAGE - PISTON RING	77.47

N.B.: 0.500" WIDE PISTON RINGS

Multiple Stage Kits

Ref. Number	Desc.	\$
RHYC-14411/46	4.000" - 6.000" PACK KIT	117.33
RHYC-14411/47	4.000" - 7.000" PACK KIT	175.02
RHYC-14411/48	4.000" - 8.000" PACK KIT	262.41
RHYC-14411/491	4.000" - 9.125" PACK KIT	431.51
RHYC-14411/49	4.000" - 9.000" PACK KIT	450.30

Multiple Stage - Piston Wear Rings - Nylon

Ref. Number	Desc.	\$
RHYC-10764/46	4.500 - 6.500" KIT (1 ea. size)	14.65
RHYC-10764/47	4.500 - 7.500" KIT (1 ea. size)	20.00
RHYC-10764/48	4.500 - 8.500" KIT (1 ea. size)	26.52
RHYC-10764/482	4.500 - 9.000" KIT (1 ea. size)	26.81
RHYC-10764/49	4.500 - 9.750" KIT (1 ea. size)	37.15
RHYC-10764/57	5.500 - 7.500" KIT (1 ea. size)	15.31
RHYC-10764/58	5.500 - 8.500" KIT (1 ea. size)	21.83

TELESCOPIC CYLINDERS 20000 SERIES WITH K-STYLE WIPERS

HYCO

V.Set, Bearings & Wiper Kits

Ref. Number	Desc.	\$
RHYC-034/00020/300	3.000" - PACKING KIT	37.02
RHYC-034/00020/400	4.000" - PACKING KIT	40.58
RHYC-034/00020/500	5.000" - PACKING KIT	55.66
RHYC-034/00020/600	6.000" - PACKING KIT	59.18
RHYC-034/00020/700	7.000" - PACKING KIT	73.67
RHYC-034/00020/800	8.000" - PACKING KIT	116.75
RHYC-034/00020/812	8.125" - PACKING KIT	151.90
RHYC-034/00020/912	9.125" - PACKING KIT	202.40
RHYC-034/00020/938	9.375" - PACKING KIT	194.76

Multiple Stage Kits

Ref. Number	Desc.	\$
RHYC-034/00020/46	4.000 - 6.000" PACKING KIT	155.29
RHYC-034/00020/47	4.000 - 7.000" PACKING KIT	229.11
RHYC-034/00020/48	4.000 - 8.000" PACKING KIT	338.72
RHYC-034/00020/491	4.000 - 9.125" PACKING KIT	514.20

All manufacturer's names, part numbers and descriptions are used for reference purposes only. We do not imply that any part shown is the product of these manufacturers.

INDUSTRIAL
SEAL KITS

MOBILE
SEAL KITS

HYCO

HYCO

TELESCOPIC CYLINDERS 20000 SERIES WITH K-STYLE WIPERS

Multiple Stage - Single Acting - Major Repair Kit

Ref. Number	Desc.	\$
RHYC-MRK/034/00020/46	4.000 - 6.000" - PACKING KIT	271.46
RHYC-MRK/034/00020/47	4.000 - 7.000" - PACKING KIT	384.83
RHYC-MRK/034/00020/48	4.000 - 8.000" - PACKING KIT	540.34

HYCO

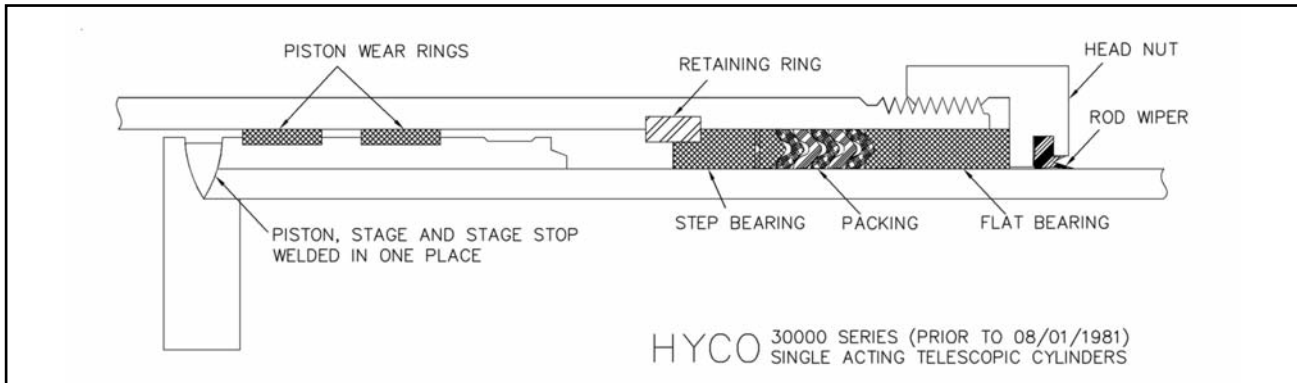
TELESCOPIC CYLINDERS 20000 SERIES - SINGLE ACTING

Major Repair Kit

Ref. Number	Desc.	\$
RHYC-MRK/14411/46	4.000 - 6.000" - PACKING KIT	233.35
RHYC-MRK/14411/47	4.000 - 7.000" - PACKING KIT	330.80
RHYC-MRK/14411/48	4.000 - 8.000" - PACKING KIT	463.30

HYCO

TELESCOPIC CYLINDERS 30000 SERIES - SINGLE ACTING Manufactured before 08/1981



STAGE O.D.'S:	3, 4, 5, 6, 7, 8, 8.125, 8.250, 9.375, 9.750"
IDENTIFICATION:	CYLINDER MODEL NUMBER AND SERIAL NUMBER STAMPED ON CYLINDER BODY NEAR BASE
ROD WIPERS:	POLYURETHANE - SNAP IN TYPE (1)
BEARINGS:	NYLON FLAT & STEP (1 OF EACH)
PACKING:	VEE PACKING - ALL 0.250"
RETAINING RING:	SPRING STEEL RETAINING RING (1) - 0.375" WIDE
PISTON:	NYLON - WEAR RINGS (2) - 0.500" WIDE

All manufacturer's names, part numbers and descriptions are used for reference purposes only. We do not imply that any part shown is the product of these manufacturers.

**TELESCOPIC CYLINDERS
30000 SERIES - SINGLE ACTING
Manufactured before 08/1981**

V.Set, Bearings & Wiper Kits

Ref. Number	Desc.	\$
RHYC-14411/300	03.000" STAGE - V.SET/BRGS/WIPER	30.50
RHYC-14411/400	04.000" STAGE - V.SET/BRGS/WIPER	30.50
RHYC-14411/500	05.000" STAGE - V.SET/BRGS/WIPER	42.35
RHYC-14411/600	06.000" STAGE - V.SET/BRGS/WIPER	44.47
RHYC-14411/700	07.000" STAGE - V.SET/BRGS/WIPER	57.72
RHYC-14411/800	08.000" STAGE - V.SET/BRGS/WIPER	87.41
RHYC-14411/812	08.125" STAGE - V.SET/BRGS/WIPER	121.64
RHYC-14411/825	08.250" STAGE - V.SET/BRGS/WIPER	164.60
RHYC-14411/900	09.000" STAGE - V.SET/BRGS/WIPER	187.88
RHYC-14411/912	09.125" STAGE - V.SET/BRGS/WIPER	169.09
RHYC-14411/938	09.375" STAGE - V.SET/BRGS/WIPER	161.47

Multiple Stage Kits

Ref. Number	Desc.	\$
RHYC-14411/46	4.000" - 6.000" PACK KIT	117.33
RHYC-14411/47	4.000" - 7.000" PACK KIT	175.02
RHYC-14411/48	4.000" - 8.000" PACK KIT	262.41
RHYC-14411/491	4.000" - 9.125" PACK KIT	431.51
RHYC-14411/49	4.000" - 9.000" PACK KIT	450.30

Retainer Rings

Ref. Number	Desc.	\$
RHYC-B9971/350	03.000" STAGE - RETAINER RING	57.25
RHYC-B9971/450	04.000" STAGE - RETAINER RING	42.58
RHYC-B9971/550	05.000" STAGE - RETAINER RING	40.37
RHYC-B9971/650	06.000" STAGE - RETAINER RING	40.51
RHYC-B9971/750	07.000" STAGE - RETAINER RING	40.95
RHYC-B9971/850	08.000" STAGE - RETAINER RING	56.98
RHYC-B9971/862	08.125" STAGE - RETAINER RING	72.73
RHYC-B9971/900	08.250" STAGE - RETAINER RING	119.42
RHYC-B9971/970	09.125" STAGE - RETAINER RING	167.92
RHYC-B9971/988	09.375" STAGE - RETAINER RING	143.07

Piston Wear Rings - Nylon

Ref. Number	Desc.	\$
RHYC-10764/300	03.000" STAGE - PISTON W.RING	3.67
RHYC-10764/400	04.000" STAGE - PISTON W.RING	3.92
RHYC-10764/500	05.000" STAGE - PISTON W.RING	3.92
RHYC-10764/600	06.000" STAGE - PISTON W.RING	5.14
RHYC-10764/700	07.000" STAGE - PISTON W.RING	5.14
RHYC-10764/800	08.000" STAGE - PISTON W.RING	6.20
RHYC-10764/812	08.125" STAGE - PISTON W.RING	9.21
RHYC-10764/825	08.250" STAGE - PISTON W.RING	9.90
RHYC-10764/900	09.000" STAGE - PISTON W.RING	10.58
RHYC-10764/938	09.375" STAGE - PISTON W.RING	17.34

Major Repair Kit

Ref. Number	Desc.	\$
RHYC-MRK/14411/46	4.000 - 6.000" - PACKING KIT	233.35
RHYC-MRK/14411/47	4.000 - 7.000" - PACKING KIT	330.80
RHYC-MRK/14411/48	4.000 - 8.000" - PACKING KIT	463.30

All manufacturer's names, part numbers and descriptions are used for reference purposes only. We do not imply that any part shown is the product of these manufacturers.

INDUSTRIAL SEAL KITS

MOBILE SEAL KITS

HYCO

HYCO

**TELESCOPIC CYLINDERS
30000 SERIES - SINGLE ACTING
Manufactured before 08/1981**

Piston Wear Rings - Nylon

Ref. Number	Desc.	\$
RHYC-10764/46	4.500 - 6.500" KIT (1 ea. size)	14.65
RHYC-10764/47	4.500 - 7.500" KIT (1 ea. size)	20.00
RHYC-10764/48	4.500 - 8.500" KIT (1 ea. size)	26.52
RHYC-10764/482	4.500 - 9.000" KIT (1 ea. size)	26.81
RHYC-10764/49	4.500 - 9.750" KIT (1 ea. size)	37.15
RHYC-10764/57	5.500 - 7.500" KIT (1 ea. size)	15.31
RHYC-10764/58	5.500 - 8.500" KIT (1 ea. size)	21.83

Piston Rings - Cast Iron

Ref. Number	Desc.	\$
RHYC-B12071/300	03.000" STAGE - PISTON RING	43.60
RHYC-B12071/400	04.000" STAGE - PISTON RING	23.80
RHYC-B12071/500	05.000" STAGE - PISTON RING	28.71
RHYC-B12071/600	06.000" STAGE - PISTON RING	33.57
RHYC-B12071/700	07.000" STAGE - PISTON RING	36.79
RHYC-B12071/800	08.000" STAGE - PISTON RING	41.52
RHYC-B12071/812	08.125" STAGE - PISTON RING	77.47
RHYC-B12071/900	09.000" STAGE - PISTON RING	53.82
RHYC-B12071/938	09.375" STAGE - PISTON RING	77.47

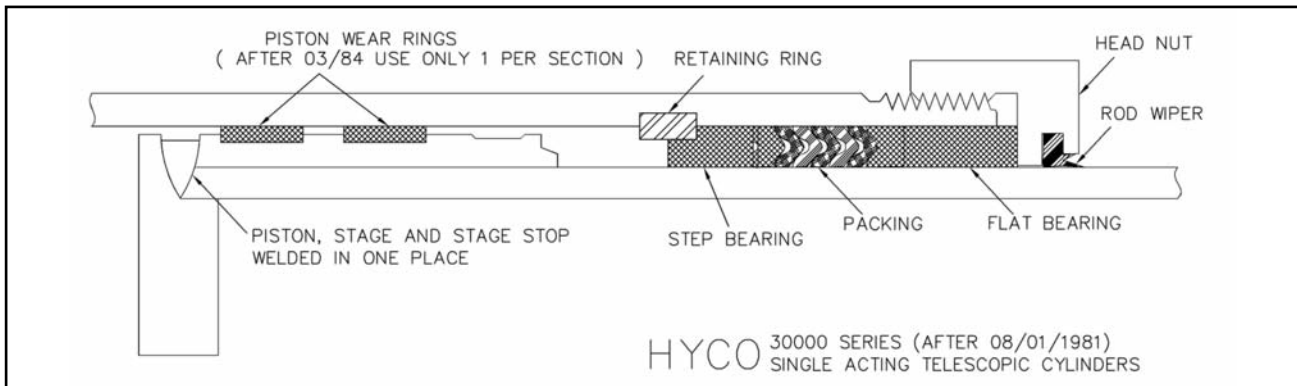
N.B.: 0.500" WIDE PISTON RINGS

INDUSTRIAL
SEAL KITS

MOBILE
SEAL KITS

HYCO

**TELESCOPIC CYLINDERS
30000 SERIES - SINGLE ACTING
Manufactured after 08/1981**



STAGE O.D.'S:	3, 4, 5, 6, 7, 8, 8.125, 8.250, 9.375, 9.750"
IDENTIFICATION:	CYLINDER MODEL NUMBER AND SERIAL NUMBER STAMPED ON CYLINDER BODY NEAR BASE
ROD WIPERS:	POLYURETHANE - SNAP IN TYPE (1)
BEARINGS:	NYLON FLAT & STEP (1 OF EACH)
PACKING:	VEE PACKING (OVERSIZE) - ALL 0.250" C/S
RETAINING RING:	SPRING STEEL RETAINING RING (1) - 0.375" WIDE
PISTON:	NYLON - WEAR RING (2) - 0.500" WIDE (BEFORE 03/84) NYLON - WEAR RING (1) - 0.500" WIDE (ATFER 03/84)

All manufacturer's names, part numbers and descriptions are used for reference purposes only. We do not imply that any part shown is the product of these manufacturers.

HYCO

TELESCOPIC CYLINDERS 30000 SERIES - SINGLE ACTING Manufactured after 08/1981

V.Set, Bearings & Wiper Kits

Ref. Number	Desc.	\$
RHYC-14750/300	03.000" STAGE - V.SET/BRGS/WIPER	34.44
RHYC-14750/400	04.000" STAGE - V.SET/BRGS/WIPER	34.44
RHYC-14750/500	05.000" STAGE - V.SET/BRGS/WIPER	35.23
RHYC-14750/600	06.000" STAGE - V.SET/BRGS/WIPER	41.08
RHYC-14750/700	07.000" STAGE - V.SET/BRGS/WIPER	68.28
RHYC-14750/800	08.000" STAGE - V.SET/BRGS/WIPER	84.35
RHYC-14750/812	08.125" STAGE - V.SET/BRGS/WIPER	111.50
RHYC-14750/825	08.250" STAGE - V.SET/BRGS/WIPER	121.06
RHYC-14750/912	09.125" STAGE - V.SET/BRGS/WIPER	109.71
RHYC-14750/938	09.375" STAGE - V.SET/BRGS/WIPER	127.17

Retainer Rings

Ref. Number	Desc.	\$
RHYC-B9971/350	03.000" STAGE - RETAINER RING	57.25
RHYC-B9971/450	04.000" STAGE - RETAINER RING	42.58
RHYC-B9971/550	05.000" STAGE - RETAINER RING	40.37
RHYC-B9971/650	06.000" STAGE - RETAINER RING	40.51
RHYC-B9971/750	07.000" STAGE - RETAINER RING	40.95
RHYC-B9971/850	08.000" STAGE - RETAINER RING	56.98
RHYC-B9971/862	08.125" STAGE - RETAINER RING	72.73
RHYC-B9971/900	08.250" STAGE - RETAINER RING	119.42
RHYC-B9971/962	09.125" STAGE - RETAINER RING	106.19
RHYC-B9971/988	09.375" STAGE - RETAINER RING	143.07

Piston Wear Rings - Nylon

Ref. Number	Desc.	\$
RHYC-10764/300	03.000" STAGE - PISTON W.RING	3.67
RHYC-10764/400	04.000" STAGE - PISTON W.RING	3.92
RHYC-10764/500	05.000" STAGE - PISTON W.RING	3.92
RHYC-10764/600	06.000" STAGE - PISTON W.RING	5.14
RHYC-10764/700	07.000" STAGE - PISTON W.RING	5.14
RHYC-10764/800	08.000" STAGE - PISTON W.RING	6.20
RHYC-10764/812	08.125" STAGE - PISTON W.RING	9.21
RHYC-10764/825	08.250" STAGE - PISTON W.RING	9.90
RHYC-10764/900	09.000" STAGE - PISTON W.RING	10.58
RHYC-10764/938	09.375" STAGE - PISTON W.RING	17.34

V.Set, Bearings & Wiper Kits

Ref. Number	Desc.	\$
RHYC-14750/46	4.000 - 6.000" - PACKING KIT	110.73
RHYC-14750/47	4.000 - 7.000" - PACKING KIT	179.00
RHYC-14750/48	4.000 - 8.000" - PACKING KIT	263.35
RHYC-14750/482	4.000 - 8.250" - PACKING KIT	300.06
RHYC-14750/57	5.000 - 7.000" - PACKING KIT	144.56
RHYC-14750/58	5.000 - 8.000" - PACKING KIT	228.93

Major Repair Kit

Ref. Number	Desc.	\$
RHYC-MRK/14750/46	4.000 - 6.000" - PACKING KIT	242.65
RHYC-MRK/14750/47	4.000 - 7.000" - PACKING KIT	354.91
RHYC-MRK/14750/48	4.000 - 8.000" - PACKING KIT	490.93

Piston Wear Rings - Nylon

Ref. Number	Desc.	\$
RHYC-10764/46	4.500 - 6.500" KIT (1 ea. size)	14.65
RHYC-10764/47	4.500 - 7.500" KIT (1 ea. size)	20.00
RHYC-10764/48	4.500 - 8.500" KIT (1 ea. size)	26.52
RHYC-10764/482	4.500 - 9.000" KIT (1 ea. size)	26.81
RHYC-10764/49	4.500 - 9.750" KIT (1 ea. size)	37.15
RHYC-10764/57	5.500 - 7.500" KIT (1 ea. size)	15.31
RHYC-10764/58	5.500 - 8.500" KIT (1 ea. size)	21.83

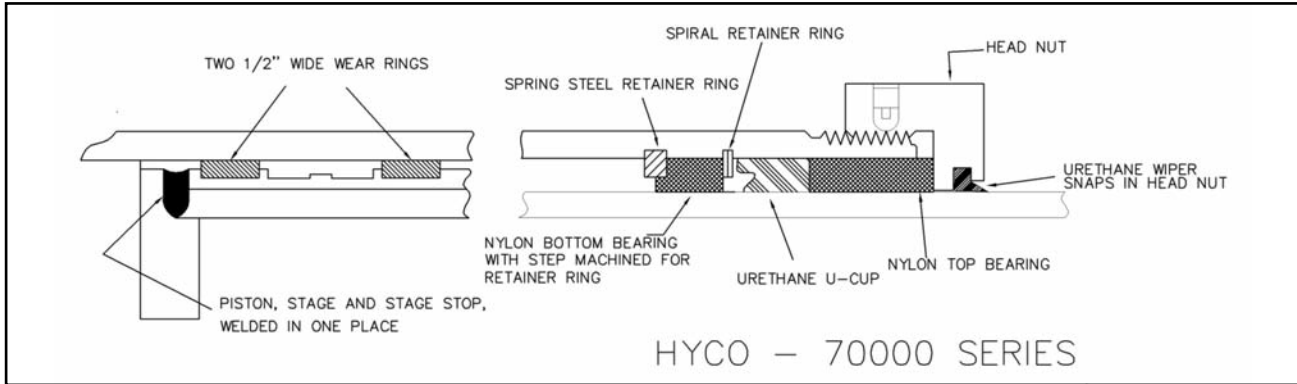
All manufacturer's names, part numbers and descriptions are used for reference purposes only. We do not imply that any part shown is the product of these manufacturers.

INDUSTRIAL SEAL KITS

MOBILE SEAL KITS

HYCO

HYCO - TELESCOPIC CYLINDERS 70000 SERIES - SINGLE ACTING



STAGE O.D.'S:	3, 4, 5, 6, 7, 8.125, 9.375"
IDENTIFICATION:	CYLINDER MODEL NUMBER AND SERIAL NUMBER STAMPED ON CYLINDER BODY NEAR BASE
ROD WIPERS:	POLYURETHANE - SNAP IN TYPE (1)
BEARINGS:	NYLON FLAT (2) - ALL 0.250" C/S
PACKING:	POLYURETHANE U-SEALS - ALL 0.250" C/S CAN BE RETROFITTED WITH VEE PACKING
RETAINING RING:	SPRING STEEL RETAINING RING (1) SPIRAL RETAINER (1)
PISTON:	WELDED TO STAGE USES 2 REPLACEABLE WEAR RINGS PER STAGE

U-Cups, Bearings, Wipers & Retainer Rings

Ref. Number	Desc.	\$
RHYC-B15252/300	03.000" STAGE - U CUP,BRGS,WIPER & R.RINGS	49.43
RHYC-B15252/400	04.000" STAGE - U CUP,BRGS,WIPER & R.RINGS	61.78
RHYC-B15252/500	05.000" STAGE - U CUP,BRGS,WIPER & R.RINGS	68.75
RHYC-B15252/600	06.000" STAGE - U CUP,BRGS,WIPER & R.RINGS	78.09
RHYC-B15252/700	07.000" STAGE - U CUP,BRGS,WIPER & R.RINGS	90.70
RHYC-B15252/812	08.125" STAGE - U CUP,BRGS,WIPER & R.RINGS	152.40
RHYC-B15252/938	09.375" STAGE - U CUP,BRGS,WIPER & R.RINGS	216.01

Bearings - Nylon

Ref. Number	Desc.	\$
RHYC-B12075/300	03.000" STAGE - BEARING	9.53
RHYC-B12075/400	04.000" STAGE - BEARING	9.53
RHYC-B12075/500	05.000" STAGE - BEARING	10.03
RHYC-B12075/600	06.000" STAGE - BEARING	11.87
RHYC-B12075/700	07.000" STAGE - BEARING	12.92
RHYC-B12075/812	08.125" STAGE - BEARING	42.72
RHYC-B12075/938	09.375" STAGE - BEARING	47.74

U-Cups

Ref. Number	Desc.	\$
BS26203000-725/4700	03.000" STAGE - U CUP	35.71
BS26204000-725/4700	04.000" STAGE - U CUP	56.19
BS26205000-725/4700	05.000" STAGE - U CUP	69.96
BS26206000-725/4700	06.000" STAGE - U CUP	78.04
BS26207000-725/4700	07.000" STAGE - U CUP	79.38
BS26208125-725/4700	08.125" STAGE - U CUP	91.83
BS26209375-725/4700	09.375" STAGE - U CUP	113.39

All manufacturer's names, part numbers and descriptions are used for reference purposes only. We do not imply that any part shown is the product of these manufacturers.

TELESCOPIC CYLINDERS 70000 SERIES - SINGLE ACTING

HYCO

Multiple Stage Kits

Ref. Number	Desc.	\$	Ref. Number	Desc.	\$
RHYC-B15252/46	4.000" - 6.000" - PACKING KIT	208.65	RHYC-B15252/57	5.000" - 7.000" - PACKING KIT	228.50
RHYC-B15252/47	4.000" - 7.000" - PACKING KIT	284.13	RHYC-B15252-58-1/8	5.000" - 8.125" - PACKING KIT	375.25
RHYC-B15252-48-1/8	4.000" - 8.125" - PACKING KIT	438.41			
RHYC-B15252-49-3/8	4.000" - 9.375" - PACKING KIT	694.04			

Retainer Rings

Ref. Number	Desc.	\$
RHYC-B9971/350	03.000" STAGE - RETAINER RING	57.25
RHYC-B9971/450	04.000" STAGE - RETAINER RING	42.58
RHYC-B9971/550	05.000" STAGE - RETAINER RING	40.37
RHYC-B9971/650	06.000" STAGE - RETAINER RING	40.51
RHYC-B9971/750	07.000" STAGE - RETAINER RING	40.95
RHYC-B9971/862	08.125" STAGE - RETAINER RING	72.73
RHYC-B9971/988	09.375" STAGE - RETAINER RING	143.07

Piston Wear Rings - Nylon

Ref. Number	Desc.	\$
RHYC-10764/300	03.000" STAGE - PISTON W.RING	3.67
RHYC-10764/400	04.000" STAGE - PISTON W.RING	3.92
RHYC-10764/500	05.000" STAGE - PISTON W.RING	3.92
RHYC-10764/600	06.000" STAGE - PISTON W.RING	5.14
RHYC-10764/700	07.000" STAGE - PISTON W.RING	5.14
RHYC-10764/812	08.125" STAGE - PISTON W.RING	9.21
RHYC-10764/938	09.375" STAGE - PISTON W.RING	17.34

70000 SERIES WITH K-STYLE WIPER

U-Cups, Bearings, Wipers & Retainer Rings

Ref. Number	Desc.	\$
RHYC-034/00070/300	3.000" - PACKING KIT	55.95
RHYC-034/00070/400	4.000" - PACKING KIT	72.28
RHYC-034/00070/500	5.000" - PACKING KIT	81.90
RHYC-034/00070/600	6.000" - PACKING KIT	92.81
RHYC-034/00070/700	7.000" - PACKING KIT	106.65
RHYC-034/00070/812	8.125" - PACKING KIT	182.67
RHYC-034/00070/938	9.375" - PACKING KIT	248.05

Multiple Stage Kits

Ref. Number	Desc.	\$
RHYC-034/00070/46	4.000 - 6.000" PACKING KIT	246.60
RHYC-034/00070/47	4.000 - 7.000" PACKING KIT	338.00
RHYC-034/00070/481	4.000 - 8.125" PACKING KIT	514.85
RHYC-034/00070/493	4.000 - 9.375" PACKING KIT	771.80
RHYC-034/00070/57	5.000 - 7.000" PACKING KIT	272.29
RHYC-034/00070/581	5.000 - 8.125" PACKING KIT	446.84

All manufacturer's names, part numbers and descriptions are used for reference purposes only. We do not imply that any part shown is the product of these manufacturers.

HYSTER

KITS

Ref. Number	Desc.	Bore	Rod	\$	Ref. Number	Desc.	Bore	Rod	\$
RHYS-1332565	SEAL KIT	2.250	1.875	38.43	RHYS-280537	SEAL KIT	2.500	2.125	42.27
RHYS-133457	SEAL KIT		5.250	154.94	RHYS-281474	SEAL KIT	3.500	1.500	33.13
RHYS-1334570	SEAL KIT	4.000	3.500	55.67	RHYS-281815	SEAL KIT	3.500	1.750	16.97
RHYS-1334571	SEAL KIT	4.500	4.000	70.13	RHYS-281822	SEAL KIT	3.000	1.250	15.53
RHYS-133458	SEAL KIT		4.250	87.57	RHYS-281855	SEAL KIT	3.500	1.750	35.10
RHYS-133459	SEAL KIT		6.000	81.34	RHYS-281859	SEAL KIT	3.500	2.250	37.37
RHYS-133460	SEAL KIT		4.700	81.20	RHYS-281864	SEAL KIT	3.500	1.750	17.09
RHYS-133462	SEAL KIT		1.750	16.34	RHYS-282400	SEAL KIT		2.125	60.80
RHYS-144267	O-RING KIT			9.88	RHYS-286264	SEAL KIT	3.500	1.875	47.64
RHYS-145269	SEAL KIT		3.250	26.82	RHYS-314993	O-RING KIT			4.88
RHYS-148292	SEAL KIT	3.250		43.28	RHYS-318005	STAGES 2.750, 3.750"			55.72
RHYS-148408	SEAL KIT		3.200	78.35	RHYS-321758	SEAL KIT	4.500	2.250	25.16
RHYS-148409	SEAL KIT		3.500	62.25	RHYS-321909	SEAL KIT	4.750	3.000	92.47
RHYS-148413	SEAL KIT		1.500	9.75	RHYS-323645	SEAL KIT	4.000	1.750	46.05
RHYS-148414	SEAL KIT		1.750	17.81	RHYS-327393	SEAL KIT	2.500	2.125	30.92
RHYS-148970	SEAL KIT		2.750	22.67	RHYS-328074	SEAL KIT	2.750	1.250	18.60
RHYS-149193	SEAL KIT	2.500		15.96	RHYS-328121	SEAL KIT	3.000	1.250	36.28
RHYS-149194	SEAL KIT	2.500	1.750	21.88	RHYS-328226	SEAL KIT	4.250	1.750	37.73
RHYS-149254	SEAL KIT		1.750	14.96	RHYS-328364	SEAL KIT		1.750	43.19
RHYS-149258	SEAL KIT		2.000	33.57	RHYS-333742	SEAL KIT	3.000	2.125	54.18
RHYS-149259	SEAL KIT		2.250	19.45	RHYS-334997	SEAL KIT	2.750	1.250	21.60
RHYS-149260	SEAL KIT		1.250	18.38	RHYS-337281	SEAL KIT	2.000	1.375	30.35
RHYS-149292	O-RING KIT			5.53	RHYS-339347	STAGES 4.000, 5.000"			128.25
RHYS-1494726	SEAL KIT	4.000	1.750	26.39	RHYS-340079	SEAL KIT	2.750	1.750	39.27
RHYS-168801	SEAL KIT	3.000	1.000	47.99	RHYS-355695	SEAL KIT	3.000	1.375	32.30
RHYS-170881	SEAL KIT	3.000	1.250	32.18	RHYS-355909	SEAL KIT	4.000	1.500	46.20
RHYS-172015	STAGES 4.250, 5.500"			57.03	RHYS-375225	SEAL KIT	4.250	1.750	26.83
RHYS-172016	SEAL KIT		6.000	71.97	RHYS-376385	SEAL KIT		2.250	52.66
RHYS-176528	SEAL KIT	4.000	1.500	30.57	RHYS-381762	SEAL KIT	4.500	2.875	50.94
RHYS-2026822	SEAL KIT	65.00	35.00	65.52	RHYS-383991	SEAL KIT	3.000	1.250	30.92
RHYS-226074	SEAL KIT	3.500	1.500	41.05	RHYS-48628	SEAL KIT	1.625	0.750	15.52
RHYS-2302714	SEAL KIT	2.500	28.00	15.97	RHYS-556733	STAGES 2.500, 3.500"			91.43
RHYS-2303974	SEAL KIT	3.750	3.000	38.88	RHYS-638884	SEAL KIT	3.250	2.750	39.50
RHYS-250050	SEAL KIT	3.500	1.500	31.56	RHYS-639456	SEAL KIT	3.500	3.000	49.20
RHYS-250051	SEAL KIT	3.000	1.250	33.50	RHYS-639457	SEAL KIT	4.000	3.000	98.54
RHYS-250550	SEAL KIT	6.000	4.250	100.81	RHYS-643280	SEAL KIT	3.500	3.000	52.03
RHYS-250555	SEAL KIT	6.750	4.750	109.43	RHYS-645059	STAGES 3.500, 4.500"			107.43
RHYS-250559	SEAL KIT	7.500	5.250	138.49	RHYS-659173	SEAL KIT		3.125	96.89
RHYS-250603	SEAL KIT	2.500	1.000	38.76	RHYS-663091	STAGES 3.000, 3.500"			129.27
RHYS-250624	STAGES 3.687, 5.000"			216.44					
RHYS-250932	STAGES 3.187, 4.000"			136.76					
RHYS-250933	STAGES 3.187, 3.750"			137.78					
RHYS-250937	SEAL KIT	3.525	1.500	92.51					
RHYS-250943	STAGES 3.700, 5.450"			170.22					
RHYS-253528	SEAL KIT		1.750	36.43					
RHYS-258117	STAGES 3.500, 4.700"			194.25					
RHYS-270930	SEAL KIT		2.500	62.55					
RHYS-280182		2.250	1.000	12.29					

All manufacturer's names, part numbers and descriptions are used for reference purposes only. We do not imply that any part shown is the product of these manufacturers.

INDUSTRIAL SEAL KITS

MOBILE SEAL KITS

HYSTER

Remsa [KITS]

INDUSTRIAL
SEAL KITS

MOBILE
SEAL KITS

EXCAVATORS

HYUNDAI

Model	Application	Bore	Rod	I	Ref. Number RHYU-	\$
				M		
130LC	ARM	115.00	80.00	M	91E6/2712	323.11
	BOOM	105.00	75.00	M	91E6/2711	105.91
	BUCKET	100.00	70.00	M	91E6/2713	115.12
R200, R210LC	ARM	140.00	95.00	M	91E1/2707	373.68
	BOOM	125.00	85.00	M	91E1/2706	331.68
	BUCKET	120.00	80.00	M	91E1/2708	305.07
R280LC, R320LC-1	ARM	150.00	105.00	M	91E2/2708	330.53
	BOOM	145.00	95.00	M	91E2/2707	348.16
	BUCKET	145.00	95.00	M	91E2/2709	333.94
R420LC, R450LC	ARM	185.00	120.00	M	31E7/2712	500.50
	BOOM	160.00	110.00	M	31E7/2711	433.96
	BUCKET	160.00	110.00	M	31E7/2713	563.53

KIT LISTING

HYUNDAI

Ref. Number	Desc.	Bore	Rod	\$	Ref. Number	Desc.	Bore	Rod	\$
RHYU-2100/0005	SEAL KIT	N/A	N/A	383.00	RHYU-91E1/2707	SEAL KIT	140.00	95.00	373.68
RHYU-31E7/2711	SEAL KIT	160.00	110.00	433.96	RHYU-91E1/2708	SEAL KIT	120.00	80.00	305.07
RHYU-31E7/2712	SEAL KIT	185.00	120.00	500.50	RHYU-91E1/2711	SEAL KIT	105.00	75.00	134.58
RHYU-31E7/2713	SEAL KIT	160.00	110.00	563.53	RHYU-91E2/2707	SEAL KIT	145.00	95.00	348.16
RHYU-31Y1/03560	SEAL KIT	105.00	75.00	167.37	RHYU-91E2/2708	SEAL KIT	150.00	105.00	330.53
RHYU-31Y1/03561	SEAL KIT	105.00	75.00	167.37	RHYU-91E2/2709	SEAL KIT	145.00	95.00	333.94
RHYU-31Y1/03860	SEAL KIT	100.00	70.00	113.74	RHYU-91E6/2711	SEAL KIT	105.00	75.00	105.91
RHYU-31Y1/05260	SEAL KIT	125.00	85.00	210.65	RHYU-91E6/2712	SEAL KIT	115.00	80.00	323.11
RHYU-31Y1/06731	SEAL KIT	140.00	95.00	187.62	RHYU-91E6/2713	SEAL KIT	100.00	70.00	115.12
RHYU-31Y1/13800	SEAL KIT	100.00	70.00	168.67	RHYU-91E8/2707	SEAL KIT	140.00	100.00	466.79
RHYU-31Y1/15230	SEAL KIT	140.00	100.00	185.79	RHYU-91E8/2708	SEAL KIT	160.00	110.00	597.69
RHYU-31Y1/15700	SEAL KIT	125.00	85.00	153.96	RHYU-91E8/2709	SEAL KIT	140.00	100.00	518.01
RHYU-31Y1/15880	SEAL KIT	120.00	85.00	149.21					
RHYU-31Y6/00290	SEAL KIT	120.00	80.00	142.16					
RHYU-31YR/09840	SEAL KIT	400.00	300.00	3569.32					
RHYU-91E1/2706	SEAL KIT	125.00	85.00	331.68					

All manufacturer's names, part numbers and descriptions are used for reference purposes only. We do not imply that any part shown is the product of these manufacturers.

HYUNDAI

Remsa [KITS]

HYVA

KITS

Ref. Number	Desc.	\$
RHYV-017/600/14K	207.00MM. - SEAL KIT	121.49
RHYV-017/600/26K	183.00MM. - SEAL KIT	90.57
RHYV-017/600/38K	162.00MM. - SEAL KIT	77.23
RHYV-017/600/40K	141.00MM. - SEAL KIT	64.86
RHYV-017/600/51K	120.00MM. - SEAL KIT	58.73
RHYV-017/600/63K	99.00MM. - SEAL KIT	52.12
RHYV-017/600/75K	78.00MM. - SEAL KIT	43.38
RHYV-017/600/87K	60.00MM. - SEAL KIT	31.30
RHYV-120/3	78/99/120.00MM. - SEAL KIT	135.78
RHYV-141/4	78/99/120/141.00MM. - SEAL KIT	203.38
RHYV-162/4	99/120/141/162.00MM. - SEAL KIT	258.33
RHYV-183/5	99/120/141/162/183.00MM. - SEAL KIT	320.67
RHYV-207/5	120/141/162/183/207.00MM. - SEAL KIT	388.89

INDUSTRIAL
SEAL KITS

MOBILE
SEAL KITS

INGERSOLL-RAND

KITS

Ref. Number	Desc.	Bore	Rod	\$	Ref. Number	Desc.	Bore	Rod	\$
RIR-50428648	SEAL KIT	5.000	3.000	29.67	RIR-57713877	SEAL KIT	5.000	3.750	970.32
RIR-50779636	SEAL KIT	6.000	3.000	231.17	RIR-58150798	SEAL KIT	3.500	1.500	34.55
RIR-51318095	O-RING KIT			8.52	RIR-59484246	SEAL KIT	2.500	1.125	23.60
RIR-51324887	STAGES	53.00/63.00		166.97	RIR-6589792	SEAL KIT	3.250	1.500	22.09
RIR-51779346	SEAL KIT	1.500	1.250	318.15	RIR-6661441	SEAL KIT	2.000	1.000	4.26
RIR-52119906	SEAL KIT	3.500	1.500	13.15	RIR-6803329	SEAL KIT	2.000	1.250	21.83
RIR-52163987	SEAL KIT	4.000	3.000	70.95	RIR-6803472	SEAL KIT	2.000	1.000	16.97
RIR-57249450	SEAL KIT	5.500	3.000	250.83	RIR-6804605	SEAL KIT	3.250	1.500	37.69
RIR-57318149	SEAL KIT	7.500	4.000	199.27	RIR-70035308	SEAL KIT	100.00	70.00	267.20
RIR-57329633	SEAL KIT	6.000	4.500	466.53	RIR-70035324	SEAL KIT	100.00	63.00	61.33
RIR-57512311	SEAL KIT	4.250	3.250	684.46					
RIR-57663437	SEAL KIT	5.000	3.750	947.81					

HYVA - I.RAND

All manufacturer's names, part numbers and descriptions are used for reference purposes only. We do not imply that any part shown is the product of these manufacturers.

Remsa [KITS]

KITS

INTERNATIONAL HARVESTER

Ref. Number	Desc.	Bore	Rod	\$	Ref. Number	Desc.	Bore	Rod	\$
RIH-1124732C94	SEAL KIT	3.000	1.500	65.44	RIH-636144C91	SEAL KIT	5.500	2.500	64.08
RIH-1124738C91	SEAL KIT	4.000	1.500	36.90	RIH-636145C91	SEAL KIT	5.500	2.500	74.10
RIH-1124745C91	SEAL KIT	4.000	2.000	56.51	RIH-636146C91	SEAL KIT	5.500	3.000	109.73
RIH-1124749C91	SEAL KIT	4.500	2.750	57.12	RIH-636146C92	SEAL KIT	5.500	3.000	128.06
RIH-1124749C93	SEAL KIT	4.500	2.750	51.22	RIH-636147C91	SEAL KIT	3.500	3.000	68.61
RIH-1124749C94	SEAL KIT	4.500	2.750	77.59	RIH-636149C91	SEAL KIT	6.500	2.500	135.18
RIH-1124757C94	SEAL KIT	5.500	2.750	243.16	RIH-636229C91	SEAL KIT	6.500	2.750	139.68
RIH-1124774C93	SEAL KIT	7.000	3.500	265.06	RIH-636230C91	SEAL KIT	7.000	3.000	98.32
RIH-1124853C95	SEAL KIT	8.000	4.000	311.51	RIH-63698C91	SEAL KIT	3.000	2.000	30.49
RIH-1124857C94	SEAL KIT	8.500	4.250	411.90	RIH-679325C91	SEAL KIT	4.500	2.250	50.88
RIH-1124861C95	SEAL KIT	10.000	5.000	568.62	RIH-679328C91	SEAL KIT	5.000	2.750	145.61
RIH-1124867C91	STAGES 3-3/4, 5-3/4, 6-3/4"			810.66	RIH-679330C91	SEAL KIT	6.500	2.750	88.00
RIH-1126587C91	SEAL KIT	3.500	2.000	43.71	RIH-679331C91	SEAL KIT	6.500	2.750	73.95
RIH-1126592C91	SEAL KIT	4.500	2.750	50.66	RIH-679332C91	SEAL KIT	7.000	3.000	166.04
RIH-1126614C91	SEAL KIT	6.500	2.500	69.72	RIH-906000	TRACK ADJUSTER	N/A	N/A	17.48
RIH-386693R92	SEAL KIT	2.500	1.500	24.60	RIH-906001	TRACK ADJUSTER	N/A	N/A	17.58
RIH-471270R95	SEAL KIT	2.500	1.500	43.49	RIH-906004	TRACK ADJUSTER	N/A	N/A	35.43
RIH-533625R93	SEAL KIT	4.500	2.500	45.34	RIH-927444C91	ORING SEAL KIT	N/A	N/A	5.94
RIH-533626R93	SEAL KIT	4.000	2.500	45.94	RIH-933310C91	SEAL KIT	9.000	4.500	200.47
RIH-545299R92	SEAL KIT	3.500	2.250	43.97	RIH-933419C91	SEAL KIT	4.000	2.000	49.91
RIH-545300R93	SEAL KIT	4.500	2.250	48.94	RIH-935799C91	SEAL KIT	4.000	1.500	45.70
RIH-545829R93	SEAL KIT	3.500	2.000	43.20	RIH-943746C91	SEAL KIT	3.000	1.000	20.52
RIH-545831R93	SEAL KIT	4.000	2.250	43.53					
RIH-546214R93	SEAL KIT	3.500	2.000	31.54					
RIH-609615C1	SEAL KIT	2.500	2.500	19.88					
RIH-622825C91	TRACK ADJUSTER	N/A	N/A	16.46					
RIH-626199C1	SEAL KIT	3.000	1.500	24.62					
RIH-626230C3	SEAL KIT	3.500	1.750	27.81					
RIH-626230C6	SEAL KIT	3.500	1.750	68.54					
RIH-626232C2	SEAL KIT	3.500	2.250	31.42					
RIH-626233C2	SEAL KIT	4.000	2.500	32.64					
RIH-626234C3	SEAL KIT	4.000	1.750	28.69					
RIH-63577C91	SEAL KIT	4.000	2.250	49.38					
RIH-63581C91	SEAL KIT	3.500	2.250	48.29					
RIH-636139C91	SEAL KIT	5.000	2.750	140.24					


All manufacturer's names, part numbers and descriptions are used for reference purposes only. We do not imply that any part shown is the product of these manufacturers.

INDUSTRIAL
SEAL KITS

MOBILE
SEAL KITS

INT. HARVESTER

JCB

	BACKHOE/LOADER					KITS 392
	1400, 1400B	208S, 208S HF	214SM-4	3CX	505-19F.M	530B-4HL
	1550, 1550B	210S, 210SU	215-4 (Centermount)	3CX SITEMASTER	505-22 SWAY	
	1700B	214	Series 3	4CN & 4C	506B	
	214E	215S	TURBO SITEMASTER	525B-4HL		

JCB KIT LISTING	KITS 401
------------------------	-----------------

INDUSTRIAL
SEAL KITS

MOBILE
SEAL KITS

JCB

All manufacturer's names, part numbers and descriptions are used for reference purposes only. We do not imply that any part shown is the product of these manufacturers.

Remsa [KITS]

JCB

BACKHOE/LOADERS

Model	Application	Serial Number	Cylinder Number	Bore	Rod	I	Ref. Number RJCB-	\$	
						M			
1700B		M337001-M399999	556-34000	70.00	30.00	M	991/00099	46.33	
		M337001-M399999	556-46400	70.00	30.00	M	991/00099	46.33	
		M337001-M399999	556-46500	70.00	30.00	M	991/00099	46.33	
		M337001-M399999	556-27600	70.00	30.00	M	991/00036	34.45	
		M337001-M399999	556-28700	70.00	30.00	M	991/00036	34.45	
		M337001-M399999	556-34000	70.00	30.00	M	991/00036	34.45	
	SWING	M337001-M399999	559-53400	100.00	60.00	M	991/00130	101.11	
	BUCKET	M337001-M399999	557-12900	90.00	50.00	M	991/00127	93.27	
		M337001-M399999	557-16000	90.00	50.00	M	991/00127	93.27	
		M337001-M399999	557-16600	90.00	50.00	M	991/00127	93.27	
M337001-M399999		559-36100	100.00	60.00	M	991/00130	101.11		
	CLAMSHOVEL	TO M435696	556-23700	70.00	40.00	M	991/00122	44.27	
		M337001-M399999	556-44000	70.00	40.00	M	991/00122	44.27	
	EXTENSION	M337001-M399999	556-23800	70.00	40.00	M	991/00122	44.27	
		M337001-M399999	556-31000	70.00	40.00	M	991/00122	44.27	
	JAW BUCKET	M337001-M399999	556-44500	70.00	40.00	M	991/00122	44.27	
		M337001-M399999	560-34300	4.000	2.000	I	991/00003	43.59	
	LIFT	M337001-M399999	576-14100	80.00	50.00	M	991/00123	61.92	
		SHOVEL	M337001-M399999	576-20200	80.00	50.00	M	991/00123	61.92
	STABILIZER L.H.	M337001-M399999	576-14300	80.00	50.00	M	991/00123	61.92	
		M337001-M399999	559-36300	100.00	60.00	M	991/00130	101.11	
M337001-M399999		559-53600	100.00	60.00	M	991/00130	101.11		
	STABILIZER R.H.	M337001-M399999	559-60004	100.00	60.00	M	991/00130	101.11	
		M337001-M399999	559-53700	100.00	60.00	M	991/00130	101.11	
		M337001-M399999	559-36400	100.00	60.00	M	991/00130	101.11	
STEERING	M337001-M399999	559-60005	100.00	60.00	M	991/00130	101.11		
	M337001-M399999	556-46400	70.00	30.00	M	991/00099	46.33		
	M337001-M399999	556-46500	70.00	30.00	M	991/00099	46.33		
	M337001-M399999	556-27600	70.00	30.00	M	991/00036	34.45		
208S, 208S HF	SWING L.H.	M337001-M399999	556-46500	70.00	30.00	M	991/00036	34.45	
		M337001-M399999	559-53400	100.00	60.00	M	991/00130	101.11	
	SWING R.H.	M337001-M399999	559-53500	100.00	60.00	M	991/00130	101.11	
	BUCKET 8' 4"	M751600-UP	556-60049	70.00	40.00	M	991/00100	43.80	
		BOOM	M751600-UP	556-60025	70.00	40.00	M	991/00100	43.80
	BUCKET 7' 3"	CLAMSHOVEL	M751600-UP	556-60026	70.00	40.00	M	991/00100	43.80
		M751600-UP	551-60021	50.00	25.00	M	991/00097	32.99	
		M751600-UP	980-38800	50.00	25.00	M	991/00097	32.99	
		DIPPER	M751600-UP	556-60027	70.00	40.00	M	991/00100	43.80
		HIGHTIP	M751600-UP	997-07700	2.000	1.375	I	903/10301	32.96
LIFT		M751600-UP	553-60005	60.00	30.00	M	991/00098	43.74	
SHOVEL		M751600-UP	553-60004	60.00	30.00	M	991/00098	43.74	
210S, 210SU	SIDETIP	M751600-UP	997-0090	2.500	1.500	I	997/00908	110.99	
	STABILIZER	M751600-UP	553-60006	60.00	30.00	M	991/00098	43.74	
	BUCKET	M762248-M769999	556-60000	70.00	40.00	M	991/00100	43.80	
EXTENSION	M762248-M769999	553-60010	60.00	30.00	M	991/00098	43.74		

All manufacturer's names, part numbers and descriptions are used for reference purposes only. We do not imply that any part shown is the product of these manufacturers.

Remsa [KITS]

BACKHOE/LOADERS

JCB

Model	Application	Serial Number	Cylinder Number	Bore	Rod	I	Ref. Number RJBC-	\$
						M		
214	LIFT	M762248-M769999	553-60022	60.00	30.00	M	991/00098	43.74
		M762248-M769999	556-60017	70.00	40.00	M	991/00100	43.80
		M762248-M769999	556-60023	70.00	40.00	M	991/00100	43.80
		M762248-M769999	556-60024	70.00	40.00	M	991/00100	43.80
		M762248-M769999	556-60084	70.00	40.00	M	991/00100	43.80
		M762248-M769999	556-60003	70.00	40.00	M	991/00100	43.80
	SWING	M762248-M769999	556-60093	70.00	40.00	M	991/00100	43.80
		M762248-M769999	556-60010	70.00	40.00	M	991/00100	43.80
	BOOM	M400001-M430000	561-39100	110.00	60.00	M	991/00131	63.38
		M400001-M430000	561-39100	110.00	60.00	M	991/00131	63.38
		M400001-M430000	561-60028	110.00	60.00	M	991/00110	60.45
	BUCKET	M400001-M430000	561-90011	110.00	60.00	M	991/00110	60.45
M400001-M430000		557-16000	90.00	50.00	M	991/00127	93.27	
M400001-M430000		557-16600	90.00	50.00	M	991/00103	45.82	
M400001-M430000		557-60006	90.00	50.00	M	991/00013	40.82	
CLAMSHOVEL		M400001-M430000	556-44000	70.00	40.00	M	991/00095	43.80
		M400001-M430000	556-60019	70.00	40.00	M	991/00095	43.80
DIPPER	M400001-M430000	556-31900	70.00	40.00	M	991/00025	48.48	
	M400001-M430000	559-50000	100.00	60.00	M	991/00055	101.11	
	M400001-M430000	559-50100	100.00	60.00	M	991/00055	101.11	
	M400001-M430000	559-60009	100.00	60.00	M	991/00145	60.72	
EXTENSION	M400001-M430000	559-60019	100.00	60.00	M	991/00145	60.72	
	M400001-M430000	556-44500	70.00	40.00	M	991/00100	43.80	
JAW BUCKET	M400001-M430000	556-60057	70.00	40.00	M	991/00100	43.80	
	M400001-M430000	556-31000	70.00	40.00	M	991/00025	48.48	
	M400001-M430000	556-45400	70.00	40.00	M	991/00025	48.48	
	M400001-M430000	560-34300	4.000	2.000	I	991/00003	43.59	
	LIFT	M400001-M430000	576-22100	80.00	50.00	M	991/00123	61.92
		M400001-M430000	576-60000	80.00	50.00	M	991/00102	58.97
SHOVEL	M400001-M430000	556-28900	70.00	40.00	M	991/00025	48.48	
STABILIZER	M400001-M430000	556-44700	70.00	40.00	M	991/00095	43.80	
	M400001-M430000	559-60004	100.00	60.00	M	991/00145	60.72	
	M400001-M430000	559-60005	100.00	60.00	M	991/00145	60.72	
	M400001-M430000	559-53600	100.00	60.00	M	991/00055	101.11	
	M400001-M430000	559-53700	100.00	60.00	M	991/00055	101.11	
	STEERING	M400001-M430000	556-43700	70.00	40.00	M	991/00095	43.80
M400001-M430000		556-33800	70.00	30.00	M	991/00099	46.33	
M400001-M430000		556-34000	70.00	30.00	M	991/00099	46.33	
M400001-M430000		556-46400	70.00	30.00	M	991/00099	46.33	
SWING		M400001-M430000	556-46500	70.00	30.00	M	991/00099	46.33
		M400001-M430000	559-53400	100.00	60.00	M	991/00055	101.11
214E	EXTENSION	M400001-M430000	559-53500	100.00	60.00	M	991/00055	101.11
		M430001-UP	561-60028	110.00	60.00	M	991/00110	60.45
		M430001-UP	561-60006	90.00	50.00	M	991/00103	45.82
		M430001-UP	559-60019	100.00	60.00	M	991/00145	60.72
		M430001-UP	556-60057	70.00	40.00	M	991/00100	43.80

All manufacturer's names, part numbers and descriptions are used for reference purposes only. We do not imply that any part shown is the product of these manufacturers.

INDUSTRIAL SEAL KITS

MOBILE SEAL KITS

JCB

JCB

BACKHOE/LOADERS

INDUSTRIAL SEAL KITS

MOBILE SEAL KITS

JCB

Model	Application	Serial Number	Cylinder Number	Bore	Rod	I	Ref. Number RJBC-	\$
						M		
214SM-4	LIFT	M430001-UP	576-60000	80.00	50.00	M	991/00102	58.97
	SHOVEL	M430001-UP	556-44700	70.00	40.00	M	991/00100	43.80
	STABILIZER L.H.	M430001-UP	559-60004	100.00	60.00	M	991/00145	60.72
	STABILIZER R.H.	M430001-UP	559-60005	100.00	60.00	M	991/00145	60.72
	STEERING	M430001-UP	556-46400	70.00	30.00	M	991/00099	46.33
		M430001-UP	556-46500	70.00	30.00	M	991/00099	46.33
	SWING	M430001-UP	559-53400	100.00	60.00	M	991/00055	101.11
		M430001-UP	559-53500	100.00	60.00	M	991/00055	101.11
	BOOM LIFT	M460001-UP	563-60028	120.00	65.00	M	991/00115	84.64
		M460001-UP	563-60029	120.00	65.00	M	991/00115	84.64
BUCKET	M460001-UP	557-60006	90.00	50.00	M	991/00103	45.82	
215-4 Centermount Series 3	CLAMSHOVEL DIPPER LIFT	M460001-UP	557-60016	90.00	50.00	M	991/00103	45.82
		M460001-UP	557-60030	90.00	60.00	M	991/00147	78.40
		M460001-UP	556-60077	70.00	40.00	M	991/00100	43.80
		M460001-UP	561-60060	110.00	60.00	M	991/00148	86.07
		M460001-UP	561-60061	110.00	60.00	M	991/00148	86.07
		M460001-UP	561-60071	110.00	60.00	M	991/00148	86.07
	EXTENSION	M460001-UP	556-60057	70.00	40.00	M	991/00100	43.80
	JAW BUCKET	M460001-UP	560-34300	4.000	2.000	I	991/00003	43.59
	LIFT	M460001-UP	576-60000	80.00	50.00	M	991/00102	58.97
	SHOVEL	M460001-UP	556-44700	70.00	40.00	M	991/00100	43.80
STABILIZER	M460001-UP	559-60063	100.00	60.00	M	991/00145	60.72	
	M460001-UP	559-60069	100.00	60.00	M	991/00152	58.24	
STEERING	M460001-UP	573-20001	75.00	45.00	M	991/00156	74.38	
SWING	M460001-UP	559-60069	100.00	60.00	M	991/00152	58.24	
BOOM	M460001-UP	556-60004	140.00	70.00	M	991/00144	136.23	
BUCKET	M460001-UP	559-60024	100.00	60.00	M	991/00145	60.72	
	M460001-UP	559-60074	100.00	60.00	M	991/00145	60.72	
CLAMSHOVEL	M460001-UP	556-60077	70.00	40.00	M	991/00100	43.80	
DIPPER	M460001-UP	561-60048	110.00	65.00	M	991/00146	71.81	
	M460001-UP	561-60085	110.00	65.00	M	991/00146	71.81	
EXTENSION	M460001-UP	556-60057	70.00	40.00	M	991/00100	43.80	
JAW BUCKET	M460001-UP	560-34300	4.000	2.000	I	991/00003	43.59	
LIFT	M460001-UP	576-60000	80.00	50.00	M	991/00102	58.97	
SHOVEL	M460001-UP	556-44700	70.00	40.00	M	991/00100	43.80	
SHOVEL	M460001-UP	556-60022	70.00	40.00	M	991/00100	43.80	
c/w reset bracket								
STABILIZER	M460001-UP	669-60063	100.00	60.00	M	991/00145	60.72	
STEERING	M460001-UP	573-10001	75.00	45.00	M	991/00156	74.38	
SWING	M460001-UP	559-60069	100.00	60.00	M	991/00152	58.24	
215S	BOOM	M400001-M430000	563-60007	120.00	65.00	M	991/00115	84.64
		M400001-M430000	563-22600	120.00	65.00	M	991/00135	79.97
		M400001-M430000	565-60004	130.00	70.00	M	991/00120	103.86
		M400001-M430000	557-16600	90.00	50.00	M	991/00103	45.82
BUCKET	M400001-M430000	557-16000	90.00	50.00	M	991/00127	93.27	

All manufacturer's names, part numbers and descriptions are used for reference purposes only. We do not imply that any part shown is the product of these manufacturers.

Remsa [KITS]

BACKHOE/LOADERS

JCB

Model	Application	Serial Number	Cylinder Number	Bore	Rod	I	Ref. Number RJBC-	\$
						M		
	CLAMSHOVEL	M400001-M430000	556-44000	70.00	40.00	M	991/00095	43.80
		M400001-M430000	556-60019	70.00	40.00	M	991/00095	43.80
		M400001-M430000	556-60051	70.00	40.00	M	991/00095	43.80
		M400001-M430000	553-13800	70.00	40.00	M	991/00122	44.27
	DIPPER	M400001-M430000	559-60013	100.00	60.00	M	991/00145	60.72
		M400001-M430000	559-50200	100.00	60.00	M	991/00130	101.11
	EXTENSION	M400001-M430000	556-45400	70.00	40.00	M	991/00122	44.27
		M400001-M430000	556-31000	70.00	40.00	M	991/00122	44.27
		M400001-M430000	556-44500	70.00	40.00	M	991/00095	43.80
	JAW BUCKET LIFT	M400001-M430000	560-34300	4.000	2.000	I	991/00003	43.59
		M400001-M430000	557-16100	90.00	50.00	M	991/00127	93.27
		M400001-M430000	557-13100	90.00	50.00	M	991/00127	93.27
SHOVEL	M400001-M430000	557-60000	90.00	50.00	M	991/00103	45.82	
	M400001-M430000	557-60004	90.00	50.00	M	991/00103	45.82	
	M400001-M430000	556-44700	70.00	40.00	M	991/00095	43.80	
	M400001-M430000	556-60022	70.00	40.00	M	991/00095	43.80	
	M400001-M430000	556-28900	70.00	40.00	M	991/00122	44.27	
	M400001-M430000	559-60004	100.00	60.00	M	991/00145	60.72	
STABILIZER	M400001-M430000	559-60005	100.00	60.00	M	991/00145	60.72	
	M400001-M430000	559-53600	100.00	60.00	M	991/00130	101.11	
	M400001-M430000	559-53700	100.00	60.00	M	991/00130	101.11	
	M400001-M430001	553-09600	60.00	30.00	M	991/00098	43.74	
STEERING F.A.L.H.	M400001-M430002	553-09700	60.00	30.00	M	991/00098	43.74	
	M400001-M430003	553-13400	60.00	30.00	M	991/00098	43.74	
	M400001-M430004	553-13600	60.00	30.00	M	991/00098	43.74	
STEERING R.A.L.H.	M400001-M430000	553-09800	60.00	30.00	M	991/00098	43.74	
	M400001-M430000	553-09900	60.00	30.00	M	991/00098	43.74	
	M400001-M430000	553-13800	60.00	30.00	M	991/00098	43.74	
	M400001-M430000	553-14100	60.00	30.00	M	991/00098	43.74	
	M400001-M430000	553-14300	60.00	30.00	M	991/00098	43.74	
	M400001-M430000	559-52800	100.00	60.00	M	991/00130	101.11	
SWING	M400001-M430002	559-52900	100.00	60.00	M	991/00130	101.11	
	M400001-M430003	559-53400	100.00	60.00	M	991/00130	101.11	
	M400001-M430004	559-53500	100.00	60.00	M	991/00130	101.11	
	M400001-M430004	559-53500	100.00	60.00	M	991/00130	101.11	
3CX	BACKHOE BOOM	M319999		100.00	60.00	M	991/00012	45.48
	& STICK	M320000-UP		100.00	60.00	M	991/00055	101.11
	BACKHOE BUCKET	TO M319999		90.00	50.00	M	991/00013	40.82
		M320000-UP		90.00	50.00	M	991/00096	53.25
	LOADER LIFT	M320000-UP		80.00	50.00	M	991/00061	93.27
		TO M319999		80.00	50.00	M	991/00016	43.70
	LOADER TILT	M320000-UP		70.00	40.00	M	991/00025	48.48
		TO M319999		70.00	40.00	M	991/00015	27.09
	STABILIZER (HEAVY DUTY)	M320000-UP		100.00	60.00	M	991/00055	101.11
		TO M319999		100.00	60.00	M	991/00012	45.48
STABILIZER (STANDARD)	M320000-UP		70.00	40.00	M	991/00025	48.48	
	TO M319999		70.00	40.00	M	991/00015	27.09	
STEERING - 2WD	M290000-M300725		60.00	30.00	M	991/00017	45.67	

All manufacturer's names, part numbers and descriptions are used for reference purposes only. We do not imply that any part shown is the product of these manufacturers.

INDUSTRIAL SEAL KITS

MOBILE SEAL KITS

JCB

JCB

BACKHOE/LOADERS

INDUSTRIAL
SEAL KITS

MOBILE
SEAL KITS

JCB

Model	Application	Serial Number	Cylinder Number	Bore	Rod	I	Ref. Number RJBC-	\$	
						M			
	STEERING - 4WD	M300726-M337000		60.00	30.00	M	991/00021	37.84	
		M337001-M356443		70.00	30.00	M	991/00036	34.45	
		M290000-M297207		60.00	30.00	M	991/00017	45.67	
		M297208-M319999		60.00	30.00	M	991/00020	23.34	
		M320000-M337000		60.00	30.00	M	991/00021	37.84	
	STICK EXTENSION	TO M319999		70.00	40.00	M	991/00015	27.09	
		M320000-UP		70.00	40.00	M	991/00025	48.48	
	SWING	M320000-UP		100.00	60.00	M	991/00055	101.11	
		TO M319999		100.00	60.00	M	991/00012	45.48	
	SWING WITH SIDE SHIFT	TO M319999		110.00		M	991/00018	24.29	
3CX SITEMASTER	BACKHOE BOOM	M320000-UP		110.00	60.00	M	991/00058	63.38	
	BACKHOE BUCKET	M320000-UP		90.00	50.00	M	991/00096	53.25	
	LOADER LIFT	M320000-UP		80.00	50.00	M	991/00061	93.27	
	LOADER LIFT	M320000-UP		70.00	40.00	M	991/00025	48.48	
	STABILIZER (HEAVY DUTY)	M320000-UP		100.00	60.00	M	991/00055	101.11	
	STABILIZER (STANDARD)	M320000-UP		70.00	40.00	M	991/00025	48.48	
	STEERING - 2WD	M337001-M356443		70.00	30.00	M	991/00036	34.45	
	STEERING - 4WD	M300726-M337000		60.00	30.00	M	991/00021	37.84	
		M290000-M297206		60.00	30.00	M	991/00017	45.67	
		M297207-M319999		60.00	30.00	M	991/00020	23.34	
	STICK	M320000-M337000		60.00	30.00	M	991/00021	37.84	
		M320000-UP		100.00	60.00	M	991/00055	101.11	
		M320000-UP		70.00	40.00	M	991/00025	48.48	
	STICK EXTENSION	M320000-UP		100.00	60.00	M	991/00055	101.11	
		M320000-UP		70.00	40.00	M	991/00025	48.48	
		M320000-UP		100.00	60.00	M	991/00055	101.11	
	4CN & 4C TURBO	BACKHOE BOOM	TO M319999		110.00	60.00	M	991/00014	43.70
		BACKHOE BUCKET	M320000-UP		110.00	60.00	M	991/00058	63.38
			TO M319999		90.00	50.00	M	991/00013	40.82
		LOADER LIFT	M320000-UP		90.00	50.00	M	991/00096	53.25
TO M319999				80.00	50.00	M	991/00016	43.70	
LOADER TILT		M320000-UP		80.00	50.00	M	991/00061	93.27	
		TO M319999		70.00	40.00	M	991/00015	27.09	
STABILIZER		M320000-UP		70.00	40.00	M	991/00025	48.48	
		TO M319999		100.00	60.00	M	991/00012	45.48	
STEERING - 2WD		M320000-UP		100.00	60.00	M	991/00055	101.11	
	M290000-M300725		60.00	30.00	M	991/00017	45.67		
STEERING - 4WD	M300726-M337000		60.00	30.00	M	991/00021	37.84		
	M290000-M297207		60.00	30.00	M	991/00017	45.67		
	M320000-M337000		60.00	30.00	M	991/00021	37.84		
	STICK	M337001-M356443		70.00	30.00	M	991/00036	34.45	
		TO M319999		100.00	60.00	M	991/00012	45.48	
	STICK EXTENSION	M320000-UP		100.00	60.00	M	991/00055	101.11	
		TO M319999		70.00	40.00	M	991/00015	27.09	
		M320000-UP		70.00	40.00	M	991/00025	48.48	

All manufacturer's names, part numbers and descriptions are used for reference purposes only. We do not imply that any part shown is the product of these manufacturers.

BACKHOE/LOADERS

JCB

Model	Application	Serial Number	Cylinder Number	Bore	Rod	I	Ref. Number RJBC-	\$
						M		
SITEMASTER	SWING (HEAVY DUTY)	TO M319999		110.00	60.00	M	991/00014	43.70
		M320000-UP		110.00	60.00	M	991/00058	63.38
	SWING (STANDARD)	TO M319999		100.00	60.00	M	991/00012	45.48
		M320000-UP		100.00	60.00	M	991/00055	101.11
	LOADER BOOM	M337001-M399999	561-39000	110.00	60.00	M	991/00131	63.38
	BACKHOE BOOM	M337001-M399999	561-31200	110.00	60.00	M	991/00131	63.38
	BACKHOE BUCKET	M337001-M399999	561-60011	110.00	60.00	M	991/00131	63.38
		M337001-M399999	557-12900	90.00	50.00	M	991/00127	93.27
		M337001-M399999	557-16000	90.00	50.00	M	991/00127	93.27
		M337001-M399999	557-16600	90.00	50.00	M	991/00127	93.27
CLAMSHOVEL	M337001-M399999	556-23700	70.00	40.00	M	991/00122	44.27	
	DIPPER	M337001-M399999	556-31900	70.00	40.00	M	991/00122	44.27
		M337001-M399999	556-44000	70.00	40.00	M	991/00122	44.27
		M337001-M399999	559-44000	100.00	60.00	M	991/00130	101.11
		M337001-M399999	559-50000	100.00	60.00	M	991/00130	101.11
	EXTENSION	M337001-M399999	556-23800	70.00	40.00	M	991/00122	44.27
		M337001-M399999	556-31000	70.00	40.00	M	991/00122	44.27
	JAW BUCKET LIFT SHOVEL STABILIZER STEERING	M337001-M399999	556-44500	70.00	40.00	M	991/00122	44.27
		M337001-M399999	560-34300	4.000	2.000	I	991/00003	43.59
		M337001-M399999	576-14100	80.00	50.00	M	991/00123	61.92
		M337001-M399999	556-23900	70.00	40.00	M	991/00122	44.27
M337001-M399999		559-36400	100.00	60.00	M	991/00130	101.11	
M337001-M399999		556-46400	70.00	30.00	M	991/00099	46.33	
505-19F.M	SWING	M337001-M399999	556-46500	70.00	30.00	M	991/00099	46.33
		M337001-M399999	556-27600	70.00	30.00	M	991/00036	34.45
		M337001-M399999	556-28700	70.00	30.00	M	991/00036	34.45
		M337001-M399999	556-34000	70.00	30.00	M	991/00036	34.45
		M337001-M399999	556-33800	70.00	30.00	M	991/00036	34.45
		M337001-M399999	559-53400	100.00	60.00	M	991/00130	101.11
	BOX TIPPER, STRIMECH CARRIAGE: SIDESHIFT CLAMSHOVEL	M561011-M579360	983-00130	100.00	50.00	M	983/00154	65.39
	M561011-M579360	547-42101	2.000	0.875	I	547/42102	16.88	
	M561011-M579360	556-44000	70.000	40.000	M	991/00025	48.48	
	DISPLACEMENT	M561011-M579360	556-60019	70.00	40.00	M	991/00095	43.80
		TO M569247	561-24200	110.00	50.00	M	991/00126	48.48
		M561011-M579360	561-60006	110.00	50.00	M	991/00126	48.48
		M561011-M579360	561-60019	110.00	50.00	M	991/00109	63.12
		M561011-M579360	553-13800	70.00	50.00	M	556/24900K	85.33
	EXTENSION EXTENSION METRIC	M561011-M579360	556-60062	70.00	50.00	M	991/00105	62.19
	LIFT LIFT + FLOAT LOG GRAB	TO M569262	561-42800	110.00	60.00	M	991/00131	63.38
		M561011-M579360	561-60017	110.00	60.00	M	991/00110	60.45
		TO M567495	561-23600	110.00	60.00	M	991/00131	63.38
		M561011-M579360	561-60005	110.00	60.00	M	991/00131	63.38
M561011-M579360		561-60039	110.00	60.00	M	991/00110	60.45	
	M561011-M579360	545-45300	2.375	1.500	I	545/45307	37.17	

All manufacturer's names, part numbers and descriptions are used for reference purposes only. We do not imply that any part shown is the product of these manufacturers.

INDUSTRIAL SEAL KITS

MOBILE SEAL KITS

JCB

Remsa [KITS]

JCB

BACKHOE/LOADERS

INDUSTRIAL
SEAL KITS

MOBILE
SEAL KITS

JCB

Model	Application	Serial Number	Cylinder Number	Bore	Rod	I	Ref. Number RJBC-	\$
						M		
505-22 SWAY	MANURE FORK	M561011-M579360	980-35601	3.000	1.500	I	980/35603	51.95
	STEERING	M561011-M579360	551-06200	50.00	25.00	M	993/46200K	40.64
	FRONT AXLE							
	STEERING FRONT & REAR AXLES	TO M568555	551-08500	50.00	25.00	M	991/00054	44.26
		M561011-M579360	551-06400	50.00	25.00	M	991/00071	33.83
		M561011-M579360	551-10100	50.00	25.00	M	991/00097	32.99
	STEERING FRONT, JCB OPTION	M561011-M579360	993-46200	50.00	25.00	M	993/46200K	40.64
	STEERING REAR AXLE	M561011-M579360	551-06300	50.00	25.00	M	993/46200K	40.64
	STEERING REAR, JCB OPTION	M561011-M579360	993-46400	50.00	25.00	M	993/46200K	40.64
	TILT	M561011-M579360	553-02000	60.00	30.00	M	991/00021	37.84
		M561011-M579360	553-04300	60.00	30.00	M	991/00021	37.84
		M561011-M579360	561-60020	110.00	50.00	M	991/00109	63.12
		TO M561307	561-23900	110.00	50.00	M	991/00126	48.48
		TO M569262	561-33500	110.00	50.00	M	991/00126	48.48
		M561011-M579360	561-60009	110.00	50.00	M	991/00126	48.48
TILT, BOOM FLOAT	M561011-M579360	561-60038	110.00	50.00	M	991/00109	63.12	
TOW HITCH	M561011-M579360	556-31100	70.00	30.00	M	991/00069	26.51	
	M561011-M579360	556-46700	70.00	30.00	M	991/00099	46.33	
BOX TIPPER, STRIMECH	M561011-M579360	983-00130	100.00	50.00	M	983/00154	65.39	
CARRIAGE:	M561011-M579360	547-42101	2.000	0.875	M	547/42102	16.88	
SIDESHIFT	M561011-M579360	993-34500	2.500	1.000	M	993/34509	18.20	
CLAMSHOVEL	M561011-M579360	556-60019	70.00	40.00	M	991/00095	43.80	
	M561011-M579360	556-44000	70.00	40.00	M	991/00025	48.48	
DISPLACEMENT	TO M569237	561-32400	110.00	50.00	M	991/00126	48.48	
	M561011-M579360	561-60008	110.00	50.00	M	991/00126	48.48	
	M561011-M579360	561-60025	110.00	50.00	M	991/00126	48.48	
EXTENSION	M561011-M579360	556-32700	70.00	50.00	M	556/24900K	85.33	
	M561011-M579360	556-60050	70.00	50.00	M	991/00105	62.19	
LIFT	TO M567495	561-24500	110.00	60.00	M	991/00131	63.38	
	TO M569149	561-42700	110.00	60.00	M	991/00131	63.38	
	M561011-M579360	561-60004	110.00	60.00	M	991/00131	63.38	
	M561011-M579360	561-60015	110.00	60.00	M	991/00110	60.45	
LOG GRAB	M561011-M579360	545-45300	2.375	1.500	I	545/45307	37.17	
MANURE FORK	M561011-M579360	980-35601	3.000	1.500	I	980/35603	51.95	
STEERING	M561011-M579360	551-06200	50.00	25.00	M	993/46200K	40.64	
FRONT AXLE								
STEERING FRONT & REAR AXLES	M561011-M579360	551-06400	50.00	25.00	M	991/00071	33.83	
	TO M568555	551-08500	50.00	25.00	M	991/00054	44.26	
	M561011-M579360	551-10100	50.00	25.00	M	991/00097	32.99	
STEERING FRONT, JCB OPTION	M561011-M579360	993-46200	50.00	25.00	M	993/46200K	40.64	
STEERING REAR AXLE	M561011-M579360	551-06300	50.00	25.00	M	993/46200K	40.64	

All manufacturer's names, part numbers and descriptions are used for reference purposes only. We do not imply that any part shown is the product of these manufacturers.

Remsa [KITS]

BACKHOE/LOADERS

JCB

Model	Application	Serial Number	Cylinder Number	Bore	Rod	I	Ref. Number RJBC-	\$
						M		
506B	STEERING REAR, JCB OPTION SWAY	M561011-M579360	993-46400	50.00	25.00	M	993/46200K	40.64
		TO M569212	561-24800	110.00	50.00	M	991/00126	48.48
		M561011-M579360	561-60012	110.00	50.00	M	991/00126	48.48
		M561011-M579360	561-60023	110.00	50.00	M	991/00109	63.12
		M561011-M579360	553-02000	60.00	30.00	M	991/00021	37.84
	TILT	M561011-M579360	553-04300	60.00	30.00	M	991/00021	37.84
		M561011-M579360	561-60020	110.00	50.00	M	991/00109	63.12
		TO M561307	561-23900	110.00	50.00	M	991/00126	48.48
		TO M569262	561-33500	110.00	50.00	M	991/00126	48.48
		M561011-M579360	561-60009	110.00	50.00	M	991/00126	48.48
	TOW HITCH	M561011-M579360	556-31100	70.00	30.00	M	991/00069	26.51
	506B	DISPLACEMENT EXTENSION	M570000-UP	563-60012	120.00	65.00	M	991/00115
M570000-UP			903-05900	110.00	70.00	M	991/00112	89.12
M570000-UP			903-06100	110.00	70.00	M	991/00112	89.12
LIFT		M570000-UP	561-60018	110.00	65.00	M	991/00111	86.42
STEERING FRONT & REAR AXLES SWAY		M570000-UP	551-10100	50.00	25.00	M	991/00097	32.99
		M570000-UP	561-60012	110.00	50.00	M	991/00126	48.48
TILT		M570000-UP	561-60023	110.00	50.00	M	991/00109	63.12
		M570000-UP	563-60011	120.00	65.00	M	991/00115	84.64
		M570000-UP	563-60011	120.00	65.00	M	991/00115	84.64
525B-4HL		ATTACHMENT BOOM LIFT	M272000-M276567	545-45300	2.375	1.500	I	545/45307
	M272000-M276567		563-08300	120.00	65.00	M	563/08300K	101.70
	DISPLACEMENT EXTENSION	M272000-M276567	561-09900	110.00	60.00	M	991/00058	63.38
		TO M272050	556-08300	70.00	50.00	M	556/08300K	69.43
	EXTENSION, with check valve	M272000-M276567	556-12900	70.00	50.00	M	556/08300K	69.43
		M272000-M276567	556-13400	70.00	50.00	M	556/08300K	69.43
	LIFT, 7' MAST (1ST STAGE)	M272000-M276567	547-41700	2.500	2.000	I	991/03900	34.69
	LIFT, 7' MAST (2ND STAGE)	M272000-M276567	547-41700	3.500	2.875	I	991/03800	49.70
	TILT	M272000-M276567	561-29600	110.00	60.00	M	561/10200K	93.30
	TILT, SIDE	M272000-M276567	553-04300	60.00	30.00	M	991/00021	37.84
530B-4HL	ATTACHMENT BOOM LIFT	M580001-M584435	545-45300	2.375	1.500	I	545/45307	37.17
		TO M580970	561-13800	110.00	60.00	M	991/00014	43.70
	CLAMSHOVEL	M580001-M584435	561-22400	110.00	60.00	M	991/00029	52.52
		M580001-M584435	556-31900	70.00	40.00	M	991/00015	27.09
	DISPLACEMENT EXTENSION INNER EXTENSION OUTER	M580001-M584435	556-31900	70.00	40.00	M	991/00025	48.48
		M580001-M584435	563-05600	120.00	65.00	M	991/00030	52.39
		M580001-M584435	557-06700	90.00	60.00	M	557/06700K	97.75
		TO M581764	561-17200	110.00	60.00	M	991/00014	43.70
LIFT, 7' MAST	M580001-M584435	561-29500	110.00	60.00	M	991/00029	52.52	
LIFT, 7' MAST	M580001-M584435	547-41700	2.500	2.000	I	991/03900	34.69	

All manufacturer's names, part numbers and descriptions are used for reference purposes only. We do not imply that any part shown is the product of these manufacturers.

INDUSTRIAL
SEAL KITS

MOBILE
SEAL KITS

JCB

JCB

BACKHOE/LOADERS

Model	Application	Serial Number	Cylinder Number	Bore	Rod	I	Ref. Number RJBC-	\$
						M		
	(1ST STAGE) LIFT, 7' MAST	M580001-M584435	547-41700	3.500	2.875	I	991/03800	49.70
	(2ND STAGE) STABILIZER	M580810	559-23100	100.00	60.00	M	991/00012	45.48
	TILT	M580001-M584435	563-23700	120.00	65.00	M	991/00030	52.39
	TILT, SIDE	M580001-M584435	553-04300	60.00	30.00	M	991/00021	37.84

JCB

KIT LISTING

Ref. Number	Desc.	Bore	Rod	\$	Ref. Number	Desc.	Bore	Rod	\$
RJCB-545/45307	SEAL KIT	2.375	1.500	37.17	RJCB-991/00095	SEAL KIT	70.00	40.00	43.80
RJCB-547/42102	SEAL KIT	2.000	0.875	16.88	RJCB-991/00096	SEAL KIT	90.00	50.00	53.25
RJCB-556/08300K	SEAL KIT	70.00	50.00	69.43	RJCB-991/00097	SEAL KIT	50.00	25.00	32.99
RJCB-556/24900K	SEAL KIT	70.00	50.00	85.33	RJCB-991/00098	SEAL KIT	60.00	30.00	43.74
RJCB-557/06700K	SEAL KIT	90.00	60.00	97.75	RJCB-991/00099	SEAL KIT	70.00	30.00	46.33
RJCB-561/10200K	SEAL KIT	110.00	60.00	93.30	RJCB-991/00100	SEAL KIT	70.00	40.00	43.80
RJCB-563/08300K	SEAL KIT	120.00	65.00	101.70	RJCB-991/00102	SEAL KIT	80.00	50.00	58.97
RJCB-903/10301	SEAL KIT	2.000	1.375	32.96	RJCB-991/00103	SEAL KIT	90.00	50.00	45.82
RJCB-980/35603	SEAL KIT	3.000	1.500	51.95	RJCB-991/00105	SEAL KIT	70.00	50.00	62.19
RJCB-983/00154	SEAL KIT	100.00	50.00	65.39	RJCB-991/00109	SEAL KIT	110.00	50.00	63.12
RJCB-991/00003	SEAL KIT	4.000	2.000	43.59	RJCB-991/00110	SEAL KIT	110.00	60.00	60.45
RJCB-991/00012	SEAL KIT	100.00	60.00	45.48	RJCB-991/00111	SEAL KIT	110.00	65.00	86.42
RJCB-991/00013	SEAL KIT	90.00	50.00	40.82	RJCB-991/00112	SEAL KIT	110.00	70.00	89.12
RJCB-991/00014	SEAL KIT	110.00	60.00	43.70	RJCB-991/00115	SEAL KIT	120.00	65.00	84.64
RJCB-991/00015	SEAL KIT	70.00	40.00	27.09	RJCB-991/00120	SEAL KIT	130.00	70.00	103.86
RJCB-991/00016	SEAL KIT	80.00	50.00	43.70	RJCB-991/00122	SEAL KIT	70.00	40.00	44.27
RJCB-991/00017	SEAL KIT	60.00	30.00	45.67	RJCB-991/00123	SEAL KIT	80.00	50.00	61.92
RJCB-991/00018	SEAL KIT	110.00	N/A	24.29	RJCB-991/00126	SEAL KIT	110.00	50.00	48.48
RJCB-991/00020	SEAL KIT	60.00	30.00	23.34	RJCB-991/00127	SEAL KIT	90.00	50.00	93.27
RJCB-991/00021	SEAL KIT	60.00	30.00	37.84	RJCB-991/00130	SEAL KIT	100.00	60.00	101.11
RJCB-991/00025	SEAL KIT	70.00	40.00	48.48	RJCB-991/00131	SEAL KIT	110.00	60.00	63.38
RJCB-991/00026	SEAL KIT	80.00	50.00	47.09	RJCB-991/00135	SEAL KIT	120.00	65.00	79.97
RJCB-991/00027	SEAL KIT	90.00	50.00	47.09	RJCB-991/00144	SEAL KIT	140.00	70.00	136.23
RJCB-991/00028	SEAL KIT	100.00	60.00	101.11	RJCB-991/00145	SEAL KIT	100.00	60.00	60.72
RJCB-991/00029	SEAL KIT	110.00	60.00	52.52	RJCB-991/00146	SEAL KIT	110.00	65.00	71.81
RJCB-991/00030	SEAL KIT	120.00	65.00	52.39	RJCB-991/00147	SEAL KIT	90.00	60.00	78.40
RJCB-991/00036	SEAL KIT	70.00	30.00	34.45	RJCB-991/00148	SEAL KIT	110.00	60.00	86.07
RJCB-991/00054	SEAL KIT	50.00	25.00	44.26	RJCB-991/00152	SEAL KIT	100.00	60.00	58.24
RJCB-991/00055	SEAL KIT	100.00	60.00	101.11	RJCB-991/00156	SEAL KIT	75.00	45.00	74.38
RJCB-991/00058	SEAL KIT	110.00	60.00	63.38	RJCB-991/03800	SEAL KIT	3.500	2.875	49.70
RJCB-991/00061	SEAL KIT	80.00	50.00	93.27	RJCB-991/03900	SEAL KIT	2.500	2.000	34.69
RJCB-991/00069	SEAL KIT	70.00	30.00	26.51	RJCB-993/34509	SEAL KIT	2.500	1.000	18.20
RJCB-991/00071	SEAL KIT	50.00	25.00	33.83	RJCB-993/46200K	SEAL KIT	50.00	25.00	40.64
					RJCB-997/00908	SEAL KIT	2.500	1.500	110.99

All manufacturer's names, part numbers and descriptions are used for reference purposes only. We do not imply that any part shown is the product of these manufacturers.

Remsa [KITS]

INDUSTRIAL
SEAL KITS









MOBILE
SEAL KITS



All manufacturer's names, part numbers and descriptions are used for reference purposes only. We do not imply that any part shown is the product of these manufacturers.

J.I. CASE

INDEX FOR SEAL KITS

	EXCAVATOR						KITS 404	
	880	880B	880C	880D	880R			
	SKID STEER LOADER						KITS 404	
	1818	1835	1835C	1840	1845S	1845C		
	1825	1835B	1838	1845	1845B	95XT		
	TRACK TYPE LOADER/DOZER						KITS 407	
	310E	350B	450C	750	855C	1150B	1450	
	310F	420C	455B	850	850D	1150C	1450B	
	310G	450	455C	850B	855D	1150D	1455B	
	350	450B	475	850C	1150	1155D		
	UNIMOG						KITS 419	
	MB4/94							
	UNI-LOADER						KITS 420	
	1530B	1816B	1830	1835B	1845B	1845S		
	1700	1816C	1835	1845	1845C			
	WHEELED BACKHOE LOADER						KITS 420	
	380LL	480D	480F LL	580D	580 SUPER L	590 SUPER L	680E	780
	430	480D LL	530	580 SUPER D	580L	680	680G	780B
	480	480E	580	580 SUPER E	580SK	680B	680H	
	480B	480E LL	580B	580F	580SL	680C	680K	
	480C	480F	580CK	580K	590	680CK	680L	
	WHEEL LOADER W-SERIES						KITS 433	
	W3	W8E	W9C	W10C	W14	W18	W20C	W26B
	W7	W9	W9E	W10E	W14L	W20	W24	W26FL
	W7C	W9A	W10	W11	W14H	W20B	W24B	W30
	W7E	W9B	W10B	W11B	W14B	W18B	W24C	W36
	WHEEL LOADER 21-SERIES						KITS 437	
	621	621B	721	721B	821	821B	921	
	J.I. CASE KIT LISTING						KITS 438	

INDUSTRIAL
SEAL KITS

MOBILE
SEAL KITS

J.I. CASE

All manufacturer's names, part numbers and descriptions are used for reference purposes only. We do not imply that any part shown is the product of these manufacturers.

EXCAVATOR

J.I. CASE

Model	Application	Serial Number	Cylinder Number	Bore	Rod	Ref. Number RJIC-	\$
880	ARM	6200000-6201114		5.500	2.500	G105514	55.96
		6201115-UP		5.500	2.750	G105566	90.31
	BOOM	6200000-6201114		5.500	2.500	G105514	55.96
		6201115-UP		5.500	2.750	G105566	90.31
	BUCKET EXT. DIPPER			5.000	2.500	G105515	52.99
				4.000	2.500	G34636	44.38
	EXT. BUCKET			4.000	2.500	G105556	43.81
				5.000	3.000	G105531	60.65
880B, 880C, 880D	ARM			5.500	2.750	G105566	90.31
	BOOM			5.500	2.750	G105566	90.31
	BUCKET			5.000	2.500	G109499	69.85
880R	ARM			5.500	2.750	G105566	90.31
	BOOM			5.500	2.750	G105566	90.31
	EXT. DIPPER	PRIOR-5352380 5352381-UP		4.000	2.500	G34636	44.38
				4.000	2.500	G105556	43.81
	EXT. BUCKET			5.000	3.000	G105531	60.65

SKID STEER LOADER

1818	BUCKET TILT LOADER LIFT		D136128	2.000	1.000	N14638	29.31
			D136838	2.000	1.250	N14639	35.95
	LOADER BUCKET		104516A1	2.000	1.375	110507A1	45.28
			104517A1	2.000	1.000	110510A1	45.28
1825	BUCKET TILT LOADER LIFT		D136128	2.000	1.000	N14638	29.31
			D136838	2.000	1.250	N14639	35.95
	LOADER BUCKET		104516A1	2.000	1.375	110507A1	45.28
			104517A1	2.000	1.000	110510A1	45.28
1835	GRAPPLE LOADER LIFT		D61075	2.000	1.000	D61006	6.66
			G34864	2.125	1.250	G34819	20.42
	LOADER BUCKET		G103407	2.500	1.500	G109458	20.23
1835B	GRAPPLE LOADER LIFT		G103407	2.125	1.250	G105507	22.76
			D61075	2.000	1.000	D61006	6.66
	LOADER BUCKET		G106818	2.500	1.500	G109458	20.23
			G103407	2.500	1.500	128725A1	24.56
				2.500	1.250	G109476	27.56

All manufacturer's names, part numbers and descriptions are used for reference purposes only. We do not imply that any part shown is the product of these manufacturers.

INDUSTRIAL
SEAL KITS

MOBILE
SEAL KITS

J.I. CASE

J.I. CASE

SKID STEER LOADER

INDUSTRIAL
SEAL KITS

MOBILE
SEAL KITS

J.I. CASE

Model	Application	Serial Number	Cylinder Number	Bore	Rod	Ref. Number RJIC-	\$
1835C	BUCKET TILT	PRIOR TO JAF0130838 JAF0130838 & UP	G103407	2.500	1.250	128728A1	20.79
			118110A1	2.500	1.250	128728A1	20.79
	GRAPPLE		D61075	2.000	1.000	D61006	6.66
			LIFT		2.500	1.250	G34819
			G110666	2.500	1.500	128725A1	24.56
			117824A1	2.500	1.500	128725A1	24.56
1838	B, D & B		G100936	3.000	1.500	1543252C1	36.45
	CYL.BACKHOE						
	BACKHOE DIPPER		G109376	3.000	1.500	1543313C1	43.26
	GRAPPLE		D61010	2.000	1.000	D61006	6.66
	LOADER LIFT		117824A1	2.500	1.500	128725A1	24.56
1840	LOADER BUCKET TILT		118110A1	2.500	1.250	128728A1	20.79
	STABILIZER		101643A1	3.000	1.375	700710260	66.60
			H514117	2.000	1.000	H52704	13.88
	SWING		H514125		2.750	H53041	18.86
	BACKHOE BOOM		1346450C2	3.000	1.500	1543256C1	34.32
	BACKHOE BUCKET		1346397C2	2.750	1.500	1346409C2	56.71
1845, 1845S	BACKHOE DIPPER		1346411C1	3.000	1.500	1543256C1	34.32
	BACKHOE SWING		H673149		2.750	H53041	18.86
	GRAPPLE		D61075	2.000	1.000	D61006	6.66
	LOADER LIFT		G110666	2.500	1.500	128725A1	24.56
			117824A1	2.500	1.500	128725A1	24.56
	LOADER BUCKET TILT		G103407	2.500	1.250	128728A1	20.79
1845B	STABILIZER		118110A1	2.500	1.250	128728A1	20.79
			H514117	2.000	1.000	H52704	13.88
	BUCKET DUMP		G34926	2.500	1.250	G105507	22.76
	4-IN-1 BUCKET		G33748	3.000	1.500	1543313C1	43.26
	LOADER LIFT		G37917	2.500	1.500	128725A1	24.56
1845C	SCARIFIER		G100295	2.500	1.500	128725A1	24.56
			G33744	3.000	1.500	1543313C1	43.26
	LOADER LIFT		G100295	2.500	1.500	128725A1	24.56
	LOADER BUCKET		G34926	2.500	1.250	G109476	27.56
1845C	LOADER CLAM		G33748	3.000	1.500	1543313C1	43.26
	SCARIFIER		G33744	3.000	1.500	1543313C1	43.26
1845C	BACKHOE BOOM		1346450C2	3.000	1.500	1543256C1	34.32
	BACKHOE BUCKET		1346397C2	2.750	1.500	1346409C2	56.71
	BACKHOE DIPPER		1346411C1	3.000	1.500	1543256C1	34.32
	BOOM, DIPPER & BUCKET		G100936	3.000	1.500	1543252C1	36.45
	BACKHOE DIPPER		G109376	3.000	1.500	1543313C1	43.26
	BACKHOE SWING		H673149		2.750	H53041	18.86
	LOADER LIFT		G109773	2.500	1.500	128725A1	24.56
		G109777	2.500	1.500	128725A1	24.56	
		117903A1	2.500	1.500	128725A1	24.56	

All manufacturer's names, part numbers and descriptions are used for reference purposes only. We do not imply that any part shown is the product of these manufacturers.

Remsa [KITS]

SKID STEER LOADER

J.I. CASE

Model	Application	Serial Number	Cylinder Number	Bore	Rod	Ref. Number RJIC-	\$
95XT	LOADER BUCKET		129011A1	2.500	1.500	128725A1	24.56
			G34926	2.500	1.250	128728A1	20.79
			G34926	2.500	1.250	128728A1	20.79
	STABILIZER		H672226	3.000	1.375	700710260	66.60
			101643A1	3.000	1.375	700710260	66.60
	SWING		H514125		2.750	H53041	18.86
	STABILIZER		H514117	2.000	1.000	H52704	13.88
	BACKHOE BOOM		1346450C2	3.000	1.500	1543256C1	34.32
	BACKHOE DIPPER		1346411C2	3.000	1.500	1543256C1	34.32
	BACKHOE BUCKET		1346397C2	2.750	1.500	1346409C2	56.71
	BACKHOE SWING		H673149		2.750	H53041	18.86
	LOADER LIFT		139091A3	2.500	1.750	198376A2	43.26
	STABILIZER FOLD DOWN		101643A1	3.000	1.375	700710260	66.60
	STABILIZER VERTICAL		H514117	2.000	1.000	H52704	13.88
TRENCHER BOOM LIFT		221700A1	3.500	1.750	235933A1	26.87	

TRACK-TYPE LOADER/DOZER

310E, 310F with backhoe model 31	BACKHOE BOOM			4.000	2.000	D42876	14.31
				4.000		G33239	17.72
	BACKHOE BUCKET				2.000	G32616	35.50
					1.750	D42873	18.14
BACKHOE DIPPER				3.500	G33237	16.25	
				3.500	1.750	G105518	38.45
				2.000	D42876	14.31	
				4.000	G33239	17.72	
				4.000	2.000	G105526	40.68
				1.750	D42873	18.14	
BACKHOE SWING		2019001-3023000		3.500		G33237	16.25
				1.750	D42875	14.04	
	DOZER LIFT			4.000		G33239	17.72
				2.500		G33193	14.31
DOZER TILT				1.250	D42867	14.17	
				2.500		G33193	14.31
DOZER ANGLING				1.250	D42867	14.17	
				2.500		G33193	14.31
DOZER ANGLING				1.750	D42873	18.14	
				3.500		G33237	16.25
LOADER LIFT				1.750	D42873	18.14	
				3.500		G33237	16.25
LOADER TILT				1.250	D42867	14.17	

All manufacturer's names, part numbers and descriptions are used for reference purposes only. We do not imply that any part shown is the product of these manufacturers.

INDUSTRIAL
SEAL KITS

MOBILE
SEAL KITS

J.I. CASE

J.I. CASE

TRACK-TYPE LOADER/DOZER

INDUSTRIAL SEAL KITS

MOBILE SEAL KITS

J.I. CASE

Model	Application	Serial Number	Cylinder Number	Bore	Rod	Ref. Number RJIC-	\$				
310G with backhoe models 26, 26B, 26S, 32, 33	SCARIFIER			2.500		G33193	14.31				
					1.500	D42870	17.67				
				3.000		G33151	14.67				
	BACKHOE STABILIZER					1.500	D42870	17.67			
					3.000		G33151	14.67			
						1.750	D42872	13.23			
					3.000	1.750	G33151	14.67			
					3.000	1.750	G105524	42.58			
					3.500		G33237	16.25			
	BACKHOE SWING				3.500	1.750	G105518	38.45			
						1.500	D47896	14.25			
					3.500		G33237	16.25			
3.500					1.500	G34652	33.84				
3.500					1.750	G105519	36.87				
					1.750	D42875	14.04				
BACKHOE BOOM								4.000		G33239	17.72
									1.750	D42873	18.14
								3.500		G33237	16.25
								3.500	1.750	G105529	36.07
BACKHOE BUCKET				4.000		G33239	17.72				
				4.000	2.000	G32299	38.45				
				4.000	2.000	G105517	39.11				
					2.250	D42878	16.11				
				4.500		DTVS4.5P					
				4.500	2.250	G105520	62.79				
BACKHOE DIPPER					1.750	D42872	13.23				
				3.500		G33237	16.25				
				3.000	1.750	G105524	42.58				
					1.750	D42873	18.14				
				3.500		G33237	16.25				
BACKHOE DIPPER EXT.					2.000	D42874	11.91				
				3.500		G33237	16.25				
				3.500	2.000	G32293	34.76				
				3.500	2.000	G105527	42.39				
					2.000	D42874	11.91				
				3.500		G33237	16.25				
				3.500	2.000	G32293	34.76				
				3.500	2.000	G105527	42.39				
BACKHOE DIPPER EXT.					2.000	D42876	14.31				
				4.000		G33239	17.72				
				4.000	2.000	G32299	38.45				
				4.000	2.000	G105517	39.11				
				3.000	1.500	G105512	38.64				

All manufacturer's names, part numbers and descriptions are used for reference purposes only. We do not imply that any part shown is the product of these manufacturers.

Remsa [KITS]

TRACK-TYPE LOADER/DOZER

J.I. CASE

Model	Application	Serial Number	Cylinder Number	Bore	Rod	Ref. Number RJIC-	\$
					1.750	D42873	18.14
				3.500		G33237	16.25
				3.500	1.750	G105529	36.07
	DOZER LIFT				1.250	D42867	14.17
				2.500		G33193	14.31
				2.500	1.250	G32295	32.13
	DOZER TILT				1.250	D42867	14.17
				2.500		G33193	14.31
	DOZER ANGLING				1.250	G32295	32.13
					1.750	D42873	18.14
				3.500		G335237	
				3.500	1.750	G34622	38.45
					1.500	D42870	17.67
				3.000		G33151	14.67
	LOADER LIFT			3.000	1.500	G105512	38.64
					1.750	D42872	13.23
				3.000		G33151	14.67
	LOADER TILT			3.000	1.750	G105524	42.58
					1.500	D42869	17.80
				2.500		G33193	14.31
	LOADER HYDRA-LEVELING			2.500	1.500	G32294	26.62
					1.500	D42869	17.80
				2.500		G33193	14.31
				2.500	1.500	G32294	26.62
	LOADER CLAM			3.000	1.750	G105524	42.58
	LOADER GRAPPLE				1.500	D42869	17.80
				2.500		G33193	14.31
				2.500	1.500	G32294	26.62
	RIPPER				1.500	D42870	17.67
				3.000		G33151	14.67
				3.000	1.500	G105512	38.64
350 with backhoe models 26, 26B, 26C, 26S	BACKHOE BOOM				1.750	D42873	18.14
				3.500		G33237	16.25
				3.500	1.750	G105529	36.07
				4.000	2.250	G34636	44.38
				4.000	2.250	G105556	43.81
	BACKHOE BUCKET				1.750	D42872	13.23
				3.500		G33237	16.25
				3.000	1.750	G105524	42.58
				3.000	1.750	G105549	42.89
	BACKHOE DIPPER				2.000	D42874	11.91
			3.500		G33237	16.25	
			3.500	2.000	G32293	34.76	
			3.500	2.000	G105527	42.39	
			3.500	2.000	G105546	37.94	
	BACKHOE DIPPER EXT.			3.000	1.500	G105512	38.64

All manufacturer's names, part numbers and descriptions are used for reference purposes only. We do not imply that any part shown is the product of these manufacturers.

INDUSTRIAL SEAL KITS

MOBILE SEAL KITS

J.I. CASE

J.I. CASE

TRACK-TYPE LOADER/DOZER

Model	Application	Serial Number	Cylinder Number	Bore	Rod	Ref. Number RJIC-	\$	
	BACKHOE STABILIZER			3.000	1.500	G105548	33.71	
					1.500	D42870	17.67	
					3.000		G33151	14.67
						1.750	D42872	13.23
					3.000		G33151	14.67
	BACKHOE SWING			3.000	1.750	G105524	42.58	
					3.500	1.750	G105529	36.07
					3.500	1.750	G105518	38.45
						1.500	D47896	14.25
					3.500		G33237	16.25
	DOZER LIFT			4.000	1.750	G105519	36.87	
					3.500	1.500	G34652	33.84
		DOZER TILT			3.500	1.500	G105555	31.72
						1.250	D42867	14.17
						2.500		G33193
	DOZER ANGLE Angle Tilt Dozer			2.500	1.250	G32295	32.13	
					2.500	1.250	G105551	28.67
						1.250	D42867	14.17
					2.500		G33193	14.31
					2.500	1.250	G32295	32.13
	DOZER ANGLE Angle Dozer			2.500	1.250	G105551	28.67	
						1.500	D42870	17.67
					3.000		G33151	14.67
					3.000	1.500	G105512	38.64
		LOADER LIFT			3.000	1.500	G105548	33.71
						1.750	D42873	18.14
					3.500		G33237	16.25
					3.500	1.750	G105518	38.45
						1.750	D42872	13.23
	LOADER TILT			3.000		G33151	14.67	
					3.000	1.750	G105524	42.58
					3.000	1.750	G34643	34.02
					3.000	1.750	G105549	42.89
						1.500	D42869	17.80
	LOADER HYDRA-LEVELING			2.500		G33193	14.31	
					2.500	1.500	G32294	26.62
					2.500	1.500	G105550	25.29
					2.500	1.500	G32294	26.62
					2.500	1.500	G105550	25.29
	LOADER GRAPPLE			3.000	1.750	G105524	42.58	
					3.000	1.750	G105549	42.89
						1.500	D42869	17.80
					2.500		G33193	14.31
					2.500	1.500	G32294	26.62
	RIPPER			2.500	1.500	G105550	25.29	
					1.500	D42870	17.67	
					2.500	1.500	G105550	25.29

All manufacturer's names, part numbers and descriptions are used for reference purposes only. We do not imply that any part shown is the product of these manufacturers.

INDUSTRIAL SEAL KITS

MOBILE SEAL KITS

J.I. CASE

Remsa [KITS]

TRACK-TYPE LOADER/DOZER

J.I. CASE

Model	Application	Serial Number	Cylinder Number	Bore	Rod	Ref. Number RJIC-	\$				
350B with backhoe models 26C, 26D	BACKHOE BOOM			3.000		G33151	14.67				
				3.000	1.500	G105512	38.64				
				3.000	1.500	G105548	33.71				
	BACKHOE BUCKET				4.000	2.500	G34636	44.38			
					4.000	2.500	G105556	43.81			
					4.000	1.750	G105552	40.38			
					3.000	1.750	G105524	42.58			
					3.000	1.750	G105549	42.89			
					3.250	2.000	G105553	42.49			
	BACKHOE DIPPER				3.500	2.000	G105527	42.39			
					3.500	2.000	G105546	37.94			
					BACKHOE DIPPER EXT.				3.000	1.500	G105512
	BACKHOE STABILIZER				3.000	1.500	G105548	33.71			
					3.500	1.750	G105518	38.45			
3.000					1.750	G105549	42.89				
BACKHOE SWING								3.500	1.500	G34652	33.84
								3.500	1.500	G105555	31.72
DOZER LIFT								2.500	1.250	G109475	28.67
DOZER TILT								2.500	1.250	G109475	28.67
DOZER ANGLE				3.000	1.500	G109452	25.59				
LOADER LIFT				3.000	1.750	1543262C1	35.04				
LOADER TILT				2.500	1.500	1543253C1	37.18				
LOADER CLAM				3.000	1.750	1543262C1	35.04				
420C	RIPPER			3.000	1.500	G109452	25.59				
	BACKHOE BOOM				2.000	D42876	14.31				
				4.000		G33239	17.72				
					1.750	D42873	18.14				
	BACKHOE BUCKET				3.500		G33237	16.25			
						2.000	D42876	14.31			
	BACKHOE DIPPER				4.000		G33239	17.72			
	BACKHOE STABILIZER					1.750	D42873	18.14			
					DOZER LIFT				1.250	D42867	14.17
	DOZER TILT				4.000		G33239	17.72			
						1.250	D42867	14.17			
	DOZER ANGLING				4.000		G33239	17.72			
						1.750	D42873	18.14			
3.500						G33237	16.25				
3.500						G33237	16.25				
LOADER LIFT								1.750	D42873	18.14	
								3.500	G33237	16.25	
LOADER TILT					1.250	D42867	14.17				
SCARIFIER				4.000		G33239	17.72				
					1.500	D42870	17.67				
				4.000		G33239	17.72				

All manufacturer's names, part numbers and descriptions are used for reference purposes only. We do not imply that any part shown is the product of these manufacturers.

INDUSTRIAL
SEAL KITS

MOBILE
SEAL KITS

J.I. CASE

J.I. CASE

TRACK-TYPE LOADER/DOZER

INDUSTRIAL
SEAL KITS

MOBILE
SEAL KITS

J.I. CASE

Model	Application	Serial Number	Cylinder Number	Bore	Rod	Ref. Number RJIC-	\$		
450 with backhoe models 26, 26B, 26C, 26S, 32, 33, 35	BACKHOE BOOM				1.750	D42873	18.14		
				3.500		G33237	16.25		
				3.500	1.750	G105529	36.07		
					2.000	D42876	14.31		
					4.000	G33239	17.72		
					4.000	2.000	G32299	38.45	
					4.000	2.000	G105517	39.11	
					4.000	2.250	G34636	44.38	
					4.000	2.500	G105556	43.81	
						2.250	D42878	16.11	
					4.500		DTVS4.5P		
					4.500	2.250	G105520	62.79	
			BACKHOE BUCKET			3.250	1.750	G105528	36.98
						3.250	1.750	G105547	38.76
							1.750	D42872	13.23
					3.500	G33237	16.25		
					3.000	1.750	G105524	42.58	
					3.000	1.750	G105549	42.89	
						1.750	D42873	18.14	
					3.500	G33237	16.25		
						2.000	D42874	11.91	
					3.500	G33237	16.25		
	BACKHOE DIPPER			3.500	2.000	G32293	34.76		
				3.500	2.000	G105527	42.39		
				3.500	2.000	G105546	37.94		
					2.000	D42874	11.91		
					3.500	G33237	16.25		
					3.500	2.000	G32293	34.76	
					3.500	2.000	G105527	42.39	
					3.500	2.000	G105546	37.94	
	BACKHOE DIPPER EXT.				2.000	D42876	14.31		
				4.000		G33239	17.72		
				4.000	2.000	G32299	38.45		
				4.000	2.000	G105517	39.11		
				4.000	2.000	1543273C1	47.63		
				3.000	1.500	G105512	38.64		
					3.000	1.500	G105548	33.71	
	BACKHOE STABILIZER				1.750	D42873	18.14		
				3.500		G33237	16.25		
				3.500	1.750	G105529	36.07		
					1.500	D42870	17.67		
				3.000		G33151	14.67		
					1.750	D42872	13.23		
					3.000	G33151	14.67		
				3.000	1.750	G105524	42.58		
					1.750	D42873	18.14		
				3.500		G33237	16.25		
				3.500	1.750	G105529	36.07		

All manufacturer's names, part numbers and descriptions are used for reference purposes only. We do not imply that any part shown is the product of these manufacturers.

Remsa [KITS]

TRACK-TYPE LOADER/DOZER

J.I. CASE

Model	Application	Serial Number	Cylinder Number	Bore	Rod	Ref. Number RJIC-	\$
				3.500	1.750	G105518	38.45
				4.000	2.000	G105517	39.11
				4.000	2.000	1543273C1	
	BACKHOE SWING				1.500	D47896	14.25
				3.500		G33237	16.25
				3.500	1.500	G34652	33.84
				3.500	1.500	G105555	31.72
					1.750	D42875	14.04
				4.000		G33239	17.72
				4.000	1.750	G105519	36.87
				4.000	2.000	G105517	39.11
				4.000	2.000	1543273C1	47.63
	DOZER ANGLING			2.000	1.500	D37361	22.19
	Angle Dozer			2.000	1.500	G105503	32.09
	DOZER ANGLING				2.000	D42876	14.31
	Angle Tilt Dozer			4.000		G33239	17.72
				4.000	2.000	G105526	40.68
				4.000	2.000	1543273C1	47.63
	DOZER LIFT				1.250	D42867	14.17
				2.500		G33193	14.31
				2.500	1.250	G32295	32.13
				2.500	1.250	G105551	28.67
	DOZER TILT				2.000	D42874	11.91
				3.500		G33237	16.25
				3.500	2.000	G34648	39.20
				3.500	2.000	G105521	36.98
				3.500	2.000	G105546	37.94
	LOADER LIFT				2.000	D42874	11.91
				3.500		G33237	16.25
				3.500	2.000	G34648	39.20
				3.500	2.000	G105521	36.98
				3.500	2.000	G105546	37.94
	LOADER TILT				1.750	D42872	13.23
				3.000		G33151	14.67
				3.000	1.750	G105524	42.58
				3.000	1.750	G34643	34.02
				3.000	1.750	G105549	42.89
	LOADER HYDRA-LEVELING				1.750	D42872	13.23
				3.000		G33151	14.67
				3.000	1.750	G105524	42.58
				3.000	1.750	G105549	42.89
	LOADER CLAM				1.500	D42870	17.67
				3.000		G33151	14.67
				3.000	1.500	G105512	38.64
	RIPPER			3.000	1.500	G105548	33.71
					1.500	D42870	17.67
				3.000		G33237	16.25
				3.000	1.500	G105512	38.64
				3.000	1.500	G105548	33.71

All manufacturer's names, part numbers and descriptions are used for reference purposes only. We do not imply that any part shown is the product of these manufacturers.

INDUSTRIAL
SEAL KITS

MOBILE
SEAL KITS

J.I. CASE

J.I. CASE

TRACK-TYPE LOADER/DOZER

INDUSTRIAL
SEAL KITS

MOBILE
SEAL KITS

J.I. CASE

Model	Application	Serial Number	Cylinder Number	Bore	Rod	Ref. Number RJIC-	\$	
450B, 450C, 455B, 455C with backhoe models 26D, 35	BACKHOE BOOM			4.000	1.750	G105552	40.38	
				3.250	1.750	G105528	36.98	
	BACKHOE BUCKET			3.250	1.750	G105547	38.76	
				3.250	2.000	G105553	42.49	
				3.500	2.000	G105527	42.39	
				3.500	2.000	G105546	37.94	
	BACKHOE DIPPER				3.500	2.000	G105546	37.94
					4.000	2.000	G105517	39.11
					4.000	2.000	1543273C1	47.63
		BACKHOE DIPPER EXT.			3.000	1.500	G105512	38.64
BACKHOE STABILIZER				3.000	1.500	G105548	33.71	
				3.000	1.750	G105549	42.89	
BACKHOE SWING				4.000	2.000	G105517	39.11	
				4.000	2.000	1543273C1	47.63	
				3.500	1.500	G105555	31.72	
				4.000	2.000	G105517	39.11	
				4.000	2.000	1543273C1	47.63	
	DOZER LIFT			2.500	1.250	G105551	28.67	
	DOZER TILT			3.500	2.000	G105546	37.94	
DOZER ANGLE			4.000	2.000	1543273C1	47.63		
LOADER LIFT			3.500	2.000	G105546	37.94		
LOADER TILT			3.000	1.500	G105548	33.71		
LOADER HYDRA-LEVELING			4.000	2.000	1543273C1	47.63		
LOADER CLAM			3.000	1.500	G105548	33.71		
475 cable layer	RIPPER			3.000	1.500	G105548	33.71	
	DOZER TILT			3.500	2.000	G34648	39.20	
				3.500	2.000	G105546	37.94	
	PLOW LIFT			4.500	2.000	G105525	50.29	
	PLOW SWING			3.500	1.500	G34646	33.28	
750 with backhoe models 32, 33S, 34	REEL & DOZER LIFT			3.500	1.500	G105555	31.72	
				2.500	1.250	G32295	32.13	
				2.500	1.250	G105551	28.67	
	BACKHOE BOOM					2.000	D42876	14.31
					4.000		G33239	17.72
	BACKHOE BUCKET				4.000	2.000	G32299	38.45
				4.500	2.250	G105520	62.79	
					2.250	D42878	16.11	
				4.500		DTVS4.5P		
					1.750	D42873	18.14	
				3.500		G33237	16.25	
					2.000	D42874	11.91	
BACKHOE DIPPER				3.500		G33237	16.25	
				3.500	2.000	G32293	34.76	
					2.250	D42877	13.12	
				4.000		G33239	17.72	
				2.000	D42876	14.31		

All manufacturer's names, part numbers and descriptions are used for reference purposes only. We do not imply that any part shown is the product of these manufacturers.

Remsa [KITS]

TRACK-TYPE LOADER/DOZER

J.I. CASE

Model	Application	Serial Number	Cylinder Number	Bore	Rod	Ref. Number RJIC-	\$
	BACKHOE STABILIZER			4.000		G33239	17.72
				4.000	2.000	G32299	38.45
					2.250	D42878	16.11
				4.500		DTVS4.5P	
					1.750	D42873	18.14
				3.500		G33237	16.25
				3.500	1.750	G105529	36.07
					1.750	D42875	14.04
				4.000		G33239	17.72
				4.000	1.750	G105519	36.87
	DOZER LIFT			4.000	1.500	D42870	17.67
				3.000		G33151	14.67
					1.750	D42873	18.14
	DOZER TILT			3.500		G33237	16.25
				2.500	1.500	D37360	24.25
					2.000	D42876	14.31
				4.000		G33239	17.72
					1.750	D42873	18.14
	DOZER ANGLE LOADER TILT			4.000		G33239	17.72
				3.500		G33237	16.25
					1.750	D42873	18.14
				3.500		G33237	16.25
					1.750	D42873	18.14
850 with backhoe models 34, 35, 36	BACKHOE BOOM			3.500		G33237	16.25
					2.250	D42878	16.11
				4.500		DTVS4.5P	
				5.000	2.250	G32696	49.55
				3.250	1.750	G105528	36.98
	BACKHOE BUCKET			3.250	1.750	G105547	38.76
					2.250	D42877	13.12
				4.000		G33239	17.72
				4.000	2.250	G34636	44.38
				3.500	2.000	G105527	42.39
				3.500	2.000	G105546	37.94
	BACKHOE DIPPER				2.250	D42878	16.11
				4.500		DTVS4.5P	
				4.500	2.250	G105520	62.79
				4.500	2.500	G105513	64.75
				4.000	2.000	G105517	39.11
				4.000	2.000	1543273C1	47.63
	BACKHOE DIPPER EXT.			3.000	1.500	G105512	38.64
				3.000	1.500	G105548	33.71
					2.000	D42876	14.31
				4.000		G33239	17.72
				4.000	2.000	G32299	38.45
	BACKHOE STABILIZER			4.000	2.000	G105517	39.11
				4.000	2.000	G105517	39.11
				4.000	2.000	G105517	39.11
				4.000	2.000	G105517	39.11
				4.000	2.000	G105517	39.11
	BACKHOE SWING			4.000	2.000	1543273C1	47.63
					1.750	D42875	14.04
				4.000		G33239	17.72
				4.500	2.000	G32695	51.78
				4.500	2.000	G105525	50.29
				4.000	2.000	G105517	39.11

All manufacturer's names, part numbers and descriptions are used for reference purposes only. We do not imply that any part shown is the product of these manufacturers.

INDUSTRIAL SEAL KITS

MOBILE SEAL KITS

J.I. CASE

J.I. CASE

TRACK-TYPE LOADER/DOZER

INDUSTRIAL
SEAL KITS

MOBILE
SEAL KITS

J.I. CASE

Model	Application	Serial Number	Cylinder Number	Bore	Rod	Ref. Number RJIC-	\$
	DOZER LIFT			4.000	2.000	1543273C1	47.63
					1.500	D42870	17.67
	DOZER TILT			3.000	G33151	14.67	
				3.000	1.500	G105512	38.64
					1.750	D42873	18.14
				3.500	G33237	16.25	
				3.500	1.750	G105518	38.45
				3.500	2.000	G105521	36.98
	DOZER ANGLING			2.500	1.500	D37360	24.25
	DOZER LIFT			2.500	1.500	G105505	26.18
		2.250	D42878	16.11			
		4.500		DTVS4.5P			
	LOADER TILT			4.500	2.250	G105520	62.79
					1.750	D42873	18.14
				3.500	G33237	16.25	
	3.500			1.750	G32228	34.32	
	LOADER HYDRA-LEVELING			3.500	1.750	G105508	41.86
					2.000	D42876	14.31
LOADER CLAM RIPPER				4.000		G33239	17.72
				4.000	2.000	G32299	38.45
				4.000	2.000	G105517	39.11
				4.000	2.000	G32299	38.45
					1.750	D42875	14.04
				4.000	G33239	17.72	
850B with backhoe model 35	BACKHOE BOOM			4.000	1.750	G34626	39.94
				3.250	1.750	G105528	36.98
				3.250	1.750	G105547	38.76
				3.500	2.000	G105527	42.39
	BACKHOE BUCKET			3.500	2.000	G105546	37.94
				4.000	2.000	G105517	39.11
	BACKHOE DIPPER			4.000	2.000	1543273C1	47.63
	BACKHOE DIPPER EXT.			3.000	1.500	G105512	38.64
				3.000	1.500	G105548	33.71
	BACKHOE STABILIZER			4.000	2.000	G105517	39.11
4.000		2.000	1543273C1	47.63			
BACKHOE SWING	4.000	2.000	G105517	39.11			
DOZER LIFT				4.000	2.000	1543273C1	47.63
				3.000	1.500	G105548	33.71
				3.000	1.750	G105549	42.89
				4.000	1.750	G105552	40.38
				4.000	2.000	1543273C1	47.63
				4.500	2.000	G105525	50.29
DOZER ANGLE	4.000	2.000	1543273C1	47.63			
DOZER LIFT	3.500	2.000	G105546	37.94			
LOADER TILT	3.500	2.000	G105546	37.94			
LOADER CLAM RIPPER	3.500	2.000	G105546	37.94			
	3.250	1.750	G105547	38.76			

All manufacturer's names, part numbers and descriptions are used for reference purposes only. We do not imply that any part shown is the product of these manufacturers.

Remsa [KITS]

TRACK-TYPE LOADER/DOZER

J.I. CASE

Model	Application	Serial Number	Cylinder Number	Bore	Rod	Ref. Number RJIC-	\$
850C, 855C with backhoe models 35A, 35C, 35C WL, 35 WL	BACKHOE BOOM			3.250	1.750	G105547	38.76
	BACKHOE BUCKET			3.500	2.000	G105546	37.94
				3.500	2.500	G109504	37.46
				4.000	2.500	G109424	44.30
	BACKHOE DIPPER			4.000	2.000	1543273C1	47.63
	BACKHOE DIPPER EXT.			3.000	1.500	G105548	33.71
	BACKHOE STABILIZER			4.000	2.000	1543273C1	47.63
	BACKHOE SWING			4.000	2.000	1543273C1	47.63
	DOZER LIFT			3.000	1.500	G105548	33.71
	DOZER TILT			3.000	1.750	G105549	42.89
			4.000	1.750	G105552	40.38	
			4.000	1.750	1543273C1	47.63	
	DOZER ANGLE			4.500	2.000	G105525	50.29
	LOADER LIFT			4.000	2.000	1543273C1	47.63
	LOADER TILT			3.500	2.000	G105546	37.94
	LOADER CLAM			3.500	2.000	G105546	37.94
	RIPPER			3.250	1.750	G105547	38.76
850D, 855D with backhoe models 35C, 35C WL	LOADER LIFT			4.000	2.000	1543273C1	47.63
	LOADER TILT			3.500	2.000	G109453	37.94
	LOADER CLAM			3.500	2.000	G109453	37.94
	DOZER LIFT			3.000	1.500	G109452	25.59
	DOZER TILT			4.000	2.000	1543273C1	47.63
	RIPPER			3.250	1.750	1543265C1	43.42
	BACKHOE STABILIZER			4.000	2.000	1543273C1	47.63
	BACKHOE SWING			4.000	2.000	1543273C1	47.63
	BACKHOE BOOM			3.250	1.750	1543265C1	43.42
	BACKHOE BUCKET			3.500	2.500	G109504	37.46
				4.000	2.500	G109424	44.30
	BACKHOE DIPPER			4.000	2.000	1543273C1	47.63
	BACKHOE DIPPER EXT.			3.000	1.500	G109452	25.59

All manufacturer's names, part numbers and descriptions are used for reference purposes only. We do not imply that any part shown is the product of these manufacturers.

INDUSTRIAL SEAL KITS

MOBILE SEAL KITS

J.I. CASE

KITS 416

J.I. CASE

TRACK-TYPE LOADER/DOZER

INDUSTRIAL
SEAL KITS

MOBILE
SEAL KITS

J.I. CASE

Model	Application	Serial Number	Cylinder Number	Bore	Rod	Ref. Number RJIC-	\$
1150 with backhoe models 32, 34, 36	BACKHOE BOOM				2.000	D42876	14.31
				4.000		G33239	17.72
					2.250	D42878	16.11
				4.500		DTVS4.5P	
				5.000	2.250	G32696	49.55
	BACKHOE BUCKET			1.750	D42873	18.14	
				3.500	G33237	16.25	
					2.250	D42877	13.12
				4.000	G33239	17.72	
				4.000	G34636	44.38	
BACKHOE DIPPER	2.000	D42876	14.31				
	4.000	G33239	17.72				
		2.250	D42878	16.11			
	4.500	DTVS4.5P					
	4.500	2.250	G105520	62.79			
BACKHOE STABILIZER	4.500	G105513	64.75				
	1.750	D42873	18.14				
	3.500	G33237	16.25				
		2.000	D42876	14.31			
	4.000	G33239	17.72				
BACKHOE SWING	4.000	G32299	38.45				
	4.000	G105517	39.11				
	1.750	D42875	14.04				
	4.000	G33239	17.72				
	4.500	2.000	G32695	51.78			
DOZER LIFT	4.500	G105525	50.29				
	1.750	D42873	18.14				
	3.500	G33237	16.25				
	3.500	1.750	G105518	38.45			
	3.500	1.750	G105529	36.07			
DOZER TILT	3.500	G105508	41.86				
	1.750	D42873	18.14				
	3.500	G33237	16.25				
LOADER LIFT	3.500	G105518	38.45				
	5.500	2.500	G33823	47.01			
LOADER TILT	5.000	2.250	G32696	49.55			
	2.000	D42876	14.31				
LOADER CLAM	4.000	G33239	17.72				
	4.000	G32299	38.45				
RIPPER	4.500	G105520	62.79				
	2.000	D42876	14.31				
	4.000	G33239	17.72				
	4.000	2.000	G105526	40.68			
	4.000	G105517	39.11				

All manufacturer's names, part numbers and descriptions are used for reference purposes only. We do not imply that any part shown is the product of these manufacturers.

Remsa [KITS]

TRACK-TYPE LOADER/DOZER

J.I. CASE

Model	Application	Serial Number	Cylinder Number	Bore	Rod	Ref. Number RJIC-	\$		
1150B	DOZER ANGLE			3.000	1.750	G105523	36.98		
				3.000	1.750	G34643	34.02		
				3.000	1.750	G105549	42.89		
	DOZER TILT & PITCH			4.000	2.250	G34636	44.38		
				4.000	2.250	G105556	43.81		
				4.500	2.250	G105520	62.79		
	DOZER TILT					4.500	2.250	G105520	62.79
	FELLER BUNCHER					4.500	2.250	G105520	62.79
	LOADER LIFT					5.000	2.250	G32696	49.55
			5.000	2.250	G105530	62.86			
LOADER TILT			4.500	2.250	G105520	62.79			
LOADER CLAM			4.500	2.250	G105520	62.79			
RIPPER			4.000	2.000	G105526	40.68			
1150C, 1150D, 1155D	DOZER ANGLE			4.000	2.000	1543273C1	47.63		
				3.000	1.750	1543262C1	35.04		
				3.500	1.750	G109471	36.98		
	DOZER LIFT					4.500	2.250	G105520	62.79
	DOZER TILT					4.000	2.250	G109505	40.23
	DOZER TILT & PITCH					5.000	2.250	G109501	58.16
	LOADER LIFT					4.500	2.250	G105520	62.79
	LOADER TILT					4.500	2.250	G105520	62.79
	LOADER CLAM					4.000	2.000	1543273C1	47.63
RIPPER									
1450	DOZER ANGLE			4.000	2.000	1543273C1	47.63		
	DOZER LIFT			4.000	2.000	G105517	39.11		
				4.000	2.000	1543273C1	47.63		
	DOZER TILT			6.000	3.000	G105516	65.17		
	DOZER TILT & PITCH			5.000	2.500	G105515	52.99		
	LOADER LIFT			5.500	2.500	G105514	55.96		
	LOADER TILT			5.000	2.500	G105515	52.99		
	LOADER CLAM			4.500	2.250	G105520	62.79		
	RIPPER			4.000	2.000	G105526	40.68		
			4.000	2.000	1543273C1	47.63			
1450B, 1455B	DOZER ANGLE			4.000	2.250	G105556	43.81		
	DOZER LIFT			4.000	2.000	1543273C1	47.63		
	DOZER TILT			6.000	3.000	G105516	65.17		
	DOZER TILT & PITCH			5.000	2.500	G105515	52.99		
	LOADER LIFT			5.500	2.500	G105514	55.96		
	LOADER TILT			5.000	2.500	G105515	52.99		
	LOADER CLAM			4.500	2.250	G105520	62.79		
	RIPPER			4.000	2.000	1543273C1	47.63		

All manufacturer's names, part numbers and descriptions are used for reference purposes only. We do not imply that any part shown is the product of these manufacturers.

INDUSTRIAL SEAL KITS

MOBILE SEAL KITS

J.I. CASE

J.I. CASE

UNIMOG

INDUSTRIAL
SEAL KITS

MOBILE
SEAL KITS

J.I. CASE

Model	Application	Serial Number	Cylinder Number	Bore	Rod	Ref. Number RJIC-	\$
MB4/94 with model 26C backhoe, P80 cable plow, T70 trencher	3-POINT HITCH LIFT			3.000	1.500	G105512	38.64
				3.000	1.500	G105548	33.71
	3-POINT HITCH PITCH			2.250	1.250	G105507	22.76
	BACKHOE BOOM			4.000	2.250	G34636	44.38
				4.000	2.250	G105556	43.81
	BACKHOE BUCKET			3.000	1.750	G105524	42.58
				3.000	1.750	G105549	42.89
	BACKHOE DIPPER			3.500	2.000	G105527	42.39
				3.500	2.000	G105546	37.94
	BACKHOE DIPPER EXT.			3.000	1.500	G105512	38.64
				3.000	1.500	G105548	33.71
	BACKHOE STABILIZER			3.000	1.750	G105524	42.58
				3.000	1.750	G105549	42.89
				3.500	1.750	G105518	38.45
BACKHOE SWING				3.500	1.500	G34652	33.84
				3.500	1.500	G105555	31.72
	CABLE PLOW SHIFT			2.500	1.500	G105550	25.29
	FORKLIFT MAST TILT			3.000	1.250	G105510	23.25
	LIFT			3.000	1.750	G105524	42.58
	TILT			3.500	1.500	G34646	33.28
				3.000	1.500	G105502	32.72
UNI-LOADER							
1530B	BUCKET			3.000	1.500	G105502	32.72
	BUCKET CLAM			3.000	1.500	G105502	32.72
	GRAPPLE			2.000	1.000	D61006	6.66
	LIFT	PRIOR-9818250		3.000	1.500	G105502	32.72
		9818251-UP		2.500	1.500	G109458	20.23
	SCARIFIER			3.000	1.500	G105502	32.72
	WOOD TICK			3.000	1.500	G105502	32.72
1700	BUCKET			3.000	1.500	G105502	32.72
	BUCKET CLAM			3.000	1.500	G105502	32.72
	GRAPPLE			2.000	1.000	D61006	6.66
	LIFT			3.000	1.500	G105502	32.72
	SCARIFIER			3.000	1.500	G105502	32.72
	WOOD TICK			3.000	1.500	G105502	32.72
1816B, 1816C	BUCKET			2.000	1.000	D61006	6.66
	LIFT			2.000	1.000	D61006	6.66
	GRAPPLE			2.000	1.000	D61006	6.66

All manufacturer's names, part numbers and descriptions are used for reference purposes only. We do not imply that any part shown is the product of these manufacturers.

Remsa [KITS]

UNI-LOADER

J.I. CASE

Model	Application	Serial Number	Cylinder Number	Bore	Rod	Ref. Number RJIC-	\$
1830	BUCKET			2.500	1.000	G34807	14.23
				2.500	1.000	G35378	13.73
				2.500	1.250	G105507	22.76
	GRAPPLE LIFT SCARIFIER			2.000	1.000	D61006	6.66
				2.125	1.250	G34819	20.42
				3.000	1.500	G105502	32.72
1835, 1835B	BUCKET GRAPPLE LIFT			2.500	1.250	G109476	27.56
				2.000	1.000	D61006	6.66
				2.125	1.250	G34819	20.42
				2.500	1.500	G109458	20.23
1845, 1845B, 1845C, 1845S	BUCKET CLAM LIFT SCARIFIER			2.500	1.250	G109476	27.56
				3.000	1.500	G109418	25.42
				2.500	1.500	G109458	20.23
				3.000	1.500	G109418	25.42

WHEELED BACKHOE LOADER

380LL	LIFT TILT			2.500	1.500	G32294	26.62
				2.500	1.500	G32294	26.62
430 with backhoe models 21, 22, 23	BACKHOE BOOM BACKHOE BUCKET BACKHOE DIPPER BACKHOE STABILIZER BACKHOE SWING				1.750	D42872	13.23
				3.000		G33151	14.67
					1.750	D42873	18.14
				3.500		G33237	16.25
					2.000	D42874	11.91
				3.000		G33151	14.67
					2.000	D42874	11.91
				3.500		G33237	16.25
				3.000		G33151	14.67
					1.250	D42867	14.17
	2.500	G33193	14.31				
	2.500	D42867	14.17				
	2.500	G33193	14.31				
480, 480B with backhoe models 23, 26, 26B, 26S	LOADER LIFT				1.500	D42869	17.80
				2.500		G33193	14.31
	LOADER TILT				1.500	D42870	17.67
				3.000	1.500	G105512	38.64
	3-POINT HITCH LIFT			2.500	1.250	G32295	32.13
	3-POINT HITCH TILT			2.500	1.250	G32295	32.13
	3-POINT HITCH PITCH			2.500	1.250	G105507	22.76
	BACKHOE BOOM				1.750	D42873	18.14
3.500			G33237	16.25			
3.500		1.750	G105529	36.07			
	4.000	2.500	G34636	44.38			

All manufacturer's names, part numbers and descriptions are used for reference purposes only. We do not imply that any part shown is the product of these manufacturers.

INDUSTRIAL
SEAL KITS

MOBILE
SEAL KITS

J.I. CASE

J.I. CASE

WHEELED BACKHOE LOADER

INDUSTRIAL
SEAL KITS

MOBILE
SEAL KITS

J.I. CASE

Model	Application	Serial Number	Cylinder Number	Bore	Rod	Ref. Number RJIC-	\$
	BACKHOE BUCKET			3.000	1.500	D42870	17.67
					1.750	G33151	14.67
	BACKHOE DIPPER			3.000	1.750	D42872	13.23
					2.000	G33151	14.67
	BACKHOE DIPPER			3.500	1.750	G105524	42.58
					2.000	D42874	11.91
	BACKHOE DIPPER			3.500	3.500	G33237	16.25
					2.000	G32293	34.76
	BACKHOE DIPPER EXT. BACKHOE STABILIZER			3.000	1.500	G105527	42.39
					1.250	G105512	38.64
BACKHOE SWING	2.500	1.250	D42867	14.17			
		1.500	D42867	14.17			
	BACKHOE SWING			3.500	1.750	G33193	14.31
					1.500	D47896	14.25
	BACKHOE SWING			3.500	1.750	G33237	16.25
					1.500	G34652	33.84
	LOADER LIFT			4.000	1.750	G105519	36.87
					1.500	D42869	17.80
	LOADER TILT			2.500	1.500	G33193	14.31
					1.500	G32294	26.62
	LOADER TILT			3.000	1.500	D42870	17.67
					1.500	G33151	14.67
STEERING	3.000	87357171-UP		1.500	1.500	G105512	38.64
				1.500	1.500	G32294	26.62
3-POINT HITCH LIFT	3.000			0.750	A44644	8.96	
				1.500	1.500	G105512	38.64
3-POINT HITCH LIFT	3.000			1.500	G109452	25.59	
				2.500	1.250	G109476	27.56
3-POINT HITCH PITCH 3-POINT HITCH TILT	2.500			1.250	G32295	32.13	
				1.250	G109475	28.67	
BACKHOE BOOM	4.000			2.250	G34636	44.38	
				2.250	G109505	40.23	
BACKHOE BUCKET	3.000	1.750	G109462	29.35			
		1.750	1543262C1	35.04			
BACKHOE DIPPER	3.500	2.000	G109454	28.17			
		2.000	G109453	37.94			
BACKHOE DIPPER EXT.	3.000	1.500	G105512	38.64			
		1.500	G109452	25.59			
BACKHOE STABILIZER	3.000	1.750	G109462	29.35			

All manufacturer's names, part numbers and descriptions are used for reference purposes only. We do not imply that any part shown is the product of these manufacturers.

Remsa [KITS]

WHEELED BACKHOE LOADER

J.I. CASE

Model	Application	Serial Number	Cylinder Number	Bore	Rod	Ref. Number RJIC-	\$
				3.000	1.750	1543262C1	35.04
				3.500	1.750	G109470	33.24
				3.500	1.750	G109471	36.98
	BACKHOE SWING			3.500	1.500	G34652	33.84
				3.500	1.500	G109472	34.96
	LOADER LIFT			2.500	1.500	G109484	30.94
				2.500	1.500	1543253C1	37.18
	LOADER TILT			2.500	1.500	G109484	30.94
				2.500	1.500	1543253C1	37.18
	STEERING	PRIOR-8980833 8980834-UP		1.500	0.750	A44644	8.96
				1.500	0.750	D148100	13.48
480D, 480D LL	3-POINT HITCH LIFT			3.000	1.500	G109452	25.59
	3-POINT HITCH TILT			2.500	1.250	G109475	28.67
	3-POINT HITCH PITCH			2.500	1.250	G109476	27.56
	BACKHOE BUCKET			3.250	2.000	G109465	40.19
				3.500	2.500	G109504	37.46
	BACKHOE DIPPER			3.500	2.000	G109453	37.94
	BACKHOE DIPPER EXT.			3.000	1.500	G109452	25.59
	BACKHOE STABILIZER			3.000	1.750	1543262C1	35.04
				3.500	1.750	G109471	36.98
	BACKHOE SWING			3.500	1.500	G109472	34.96
	BACKHOE LIFT			2.500	1.500	1543253C1	37.18
	LOADER TILT			2.500	1.500	1543253C1	37.18
	STEERING	ALL		1.500	0.750	D148100	13.48
480E, 480E LL	3-POINT HITCH LIFT			3.000	1.500	G109452	25.59
	3-POINT HITCH TILT			2.500	1.250	G109475	28.67
	3-POINT HITCH PITCH			2.500	1.250	G109476	27.56
	BACKHOE BUCKET			3.250	2.000	G109465	40.19
				3.500	2.000	G109453	37.94
	BACKHOE DIPPER			3.500	2.000	G109453	37.94
	BACKHOE DIPPER EXT.			3.000	1.500	G109452	25.59
	BACKHOE STABILIZER			3.500	1.750	G109471	36.98
	BACKHOE SWING			3.500	1.500	G109472	34.96
	LOADER LIFT			2.500	1.500	1543253C1	37.18
	LOADER TILT			2.500	1.500	1543253C1	37.18
	STEERING	ALL		1.500	0.750	D148100	13.48
480F, 480F LL	3-POINT HITCH LIFT		G101189	3.000	1.500	1543252C1	36.45
			G101188	2.500	1.250	1543250C1	31.69
	3-POINT HITCH PITCH		1976884C1	2.500	1.250	1543249C1	39.85
	BACKHOE BOOM		G102835	4.000	1.750	1543264C1	44.15
	BACKHOE BUCKET		G109342	3.500	2.500	1543294C1	39.92
	BACKHOE STABILIZER	480F	1340827C1	3.500	1.750	1543266C1	43.21
	BACKHOE SWING		G110395	3.500	1.500	1543254C1	39.91
	BUCKET	480F ONLY	G103503	3.250	2.000	1543268C1	40.62
	DIPPER EXT.	480F ONLY	G101203	3.000	1.500	1543252C1	36.45
	DIPPER 12 FT MODEL		G104844	3.500	2.000	1543274C1	48.63

All manufacturer's names, part numbers and descriptions are used for reference purposes only. We do not imply that any part shown is the product of these manufacturers.

INDUSTRIAL SEAL KITS

MOBILE SEAL KITS

J.I. CASE

J.I. CASE

WHEELED BACKHOE LOADER

INDUSTRIAL
SEAL KITS

MOBILE
SEAL KITS

J.I. CASE

Model	Application	Serial Number	Cylinder Number	Bore	Rod	Ref. Number RJIC-	\$
530 with backhoe models 31, 32, 32S	DIPPER 14 FT MODEL		1980159C1	3.250	2.000	1980181C2	49.61
	LOADER LIFT		1340792C1	3.000	1.750	1543267C1	42.42
	LOADER BUCKET		G101186	2.500	1.500	1543253C1	37.18
	LOADER CLAM		G101190	3.000	1.750	1543262C1	35.04
			1346189C1	3.000	1.750	1543267C1	42.42
	BACKHOE BOOM				2.000	D42876	14.31
					4.000	G33239	17.72
	BACKHOE BUCKET				4.000	G32616	35.50
					1.750	D42873	18.14
					3.500	G33237	16.25
				3.500	G105518	38.45	
	BACKHOE DIPPER				2.000	D42876	14.31
					4.000	G33239	17.72
	BACKHOE STABILIZER				4.000	G105526	40.68
					1.750	D42873	18.14
					3.500	G33237	16.25
					3.500	G105518	38.45
					3.500	G105529	36.07
	BACKHOE SWING				1.750	D42875	14.04
					4.000	G33239	17.72
	LOADER LIFT				4.000	G32617	36.98
				1.500	D42869	17.80	
				2.500	G33193	14.31	
580 with backhoe models 33, 33S	LOADER TILT				1.500	D42870	17.67
					3.000	G33151	14.67
					1.250	D42867	14.17
					2.500	G33193	14.31
					1.500	D42869	17.80
					2.500	G33193	14.31
	LOADER HYDRA-LEVELING				1.750	D42872	13.23
					3.000	G33151	14.67
	3-POINT HITCH LIFT				2.500	G32294	26.62
					3.000	G105512	38.64
3-POINT HITCH PITCH				2.500	G32295	32.13	
	BACKHOE BOOM				2.500	G105507	22.76
					2.000	D42876	14.31
					4.000	G33239	17.72
					4.000	G32299	38.45
					4.000	G105517	39.11
					2.250	D42878	16.11
					4.500	DTVS4.5P	
	BACKHOE BUCKET				4.500	G105520	62.79
					1.750	D42873	18.14
					3.500	G33237	16.25
					2.000	D42874	11.91
					3.500	G33237	16.25

All manufacturer's names, part numbers and descriptions are used for reference purposes only. We do not imply that any part shown is the product of these manufacturers.

Remsa [KITS]

WHEELED BACKHOE LOADER

J.I. CASE

Model	Application	Serial Number	Cylinder Number	Bore	Rod	Ref. Number RJIC-	\$	
	BACKHOE DIPPER			3.500	2.000	G32293	34.76	
				3.500	2.000	G105527	42.39	
						2.000	D42876	14.31
					4.000		G33239	17.72
					4.000	2.000	G32299	38.45
	BACKHOE DIPPER EXT.			4.000	2.000	G105517	39.11	
						1.750	D42873	18.14
	BACKHOE STABILIZER			3.500	1.750	G33237	16.25	
				3.500	1.750	G105529	36.07	
				3.000	1.500	G105512	38.64	
	BACKHOE SWING				1.750	D42873	18.14	
					3.500		G33237	16.25
	BACKHOE SWING			3.500	1.750	G105518	38.45	
				3.500	1.750	G105529	36.07	
					1.750	D42875	14.04	
	LOADER LIFT			4.000		G33239	17.72	
					4.000	1.750	G105519	36.87
	LOADER HYDRA-LEVELING				1.500	D42870	17.67	
					3.000		G33151	14.67
					3.000	1.500	G105512	38.64
	LOADER CLAM				1.750	D42872	13.23	
					3.000		G33151	14.67
	LOADER GRAPPLE			3.000	1.750	G105524	42.58	
					3.000	1.750	G105524	42.58
	LOADER TILT				1.500	D42869	17.80	
					2.500		G33193	14.31
					2.500	1.500	G32294	26.62
						1.500	D42869	17.80
					2.500		G33193	14.31
	3-POINT HITCH TILT			2.500	1.500	G32294	26.62	
					2.500	1.250	G105551	28.67
	3-POINT HITCH PITCH			2.500	1.250	G32295	32.13	
					2.500	1.250	G32295	32.13
580B with backhoe model 35	BACKHOE BOOM			3.000	1.500	G105512	38.64	
				3.000	1.500	G105548	33.71	
	BACKHOE BUCKET			2.500	1.250	G32295	32.13	
				2.500	1.250	G105551	28.67	
	BACKHOE DIPPER			2.500	1.250	G32295	32.13	
				2.500	1.250	G32295	32.13	
	BACKHOE DIPPER EXT.			2.500	1.250	G105507	22.76	
				3.250	1.750	G105528	36.98	
	BACKHOE STABILIZER			3.250	1.750	G105547	38.76	
				3.500	2.000	G105527	42.39	
BACKHOE STABILIZER			3.500	2.000	G105546	37.94		
			4.000	2.000	G105517	39.11		
BACKHOE STABILIZER			4.000	2.000	1543273C1	47.63		
			3.000	1.500	G105512	38.64		
BACKHOE STABILIZER			3.000	1.500	G105548	33.71		
			3.500	2.000	G105527	42.39		
BACKHOE STABILIZER			4.000	2.000	G105517	39.11		
			4.000	2.000	1543273C1	47.63		

All manufacturer's names, part numbers and descriptions are used for reference purposes only. We do not imply that any part shown is the product of these manufacturers.

INDUSTRIAL SEAL KITS

MOBILE SEAL KITS

J.I. CASE

J.I. CASE

WHEELED BACKHOE LOADER

INDUSTRIAL
SEAL KITS

MOBILE
SEAL KITS

J.I. CASE

Model	Application	Serial Number	Cylinder Number	Bore	Rod	Ref. Number RJIC-	\$			
	BACKHOE SWING			3.500	1.750	G105529	36.07			
				4.000	2.000	G105517	39.11			
	LOADER LIFT			4.000	2.000	1543273C1	47.63			
				3.000	1.500	G105512	38.64			
				3.000	1.500	G105548	33.71			
	LOADER TILT			2.500	1.500	G32294	26.62			
	LOADER HYDRA-LEVELING			2.500	1.500	G105550	25.29			
				3.000	1.750	G105524	42.58			
				3.000	1.750	G105549	42.89			
				LOADER CLAM	3.000	1.750	G105524	42.58		
				LOGGING FORK	3.000	1.750	G105549	42.89		
	580CK with backhoe model 35			GRAPPLE			2.500	1.500	G105550	25.29
STEERING		1.500	0.750	A44644			8.96			
3-POINT HITCH LIFT		3.000	1.500	G105512			38.64			
		3.000	1.500	G109452			25.59			
3-POINT HITCH TILT		2.500	1.250	G32295			32.13			
3-POINT HITCH PITCH BACKHOE BOOM		2.500	1.250	G109475			28.67			
		2.500	1.250	G109476			27.56			
		3.250	1.750	G105528			36.98			
		3.250	1.750	1543265C1			43.42			
		BACKHOE BUCKET	3.500	2.000			G109454	28.17		
		BACKHOE DIPPER					3.500	2.000	G109453	37.94
							4.000	2.000	G109421	29.67
	BACKHOE DIPPER EXT.	4.000			2.000	1543273C1	47.63			
		3.000			1.500	G105512	38.64			
	BACKHOE STABILIZER	3.000			1.500	G109452	25.59			
		4.000			2.000	G109421	29.67			
	BACKHOE SWING	4.000			2.000	1543273C1	47.63			
		4.000			2.000	G109421	29.67			
		4.000			2.000	G109421	29.67			
		4.000			2.000	1543273C1	47.63			
		4.000			2.000	G109421	29.67			
	LOADER LIFT	4.000			2.000	1543273C1	47.63			
3.000		1.750	G109462	29.35						
3.000		1.750	1543262C1	35.04						
LOADER TILT		2.500	1.500	G109484	30.94					
2.500		1.500	1543253C1	37.18						
LOADER CLAM	3.000	1.750	G109462	29.35						
	3.000	1.750	1543262C1	35.04						
	LOADER GRAPPLE	2.500	1.500	G109484	30.94					
	2.500	1.500	1543253C1	37.18						
	STEERING	1.500	0.750	A44644	8.96					
580D, 580 SUPER D		PRIOR-8983287 8983288-UP		1.500	0.750	D148100	13.48			
				3.000	1.500	G109452	25.59			
				2.500	1.250	G109475	28.67			
				2.500	1.250	G109476	27.56			
				3.250	1.750	1543265C1	43.42			
				3.500	2.000	G109453	37.94			

All manufacturer's names, part numbers and descriptions are used for reference purposes only. We do not imply that any part shown is the product of these manufacturers.

Remsa [KITS]

WHEELED BACKHOE LOADER

J.I. CASE

Model	Application	Serial Number	Cylinder Number	Bore	Rod	Ref. Number RJIC-	\$
580 SUPER E	BACKHOE DIPPER			3.500	2.500	G109504	37.46
				4.000	2.000	1543273C1	47.63
				4.000	2.500	G109424	44.30
	BACKHOE DIPPER EXT.			3.000	1.500	G109452	25.59
	BACKHOE STABILIZER			4.000	2.000	1543273C1	47.63
	BACKHOE SWING			4.000	2.000	1543273C1	47.63
	LOADER LIFT			3.000	1.750	1543262C1	35.04
	LOADER TILT			2.500	1.500	1543253C1	37.18
	LOADER CLAM			3.000	1.750	1543262C1	35.04
	STEERING			1.500	0.750	D148100	13.48
	3-POINT HITCH LIFT			3.000	1.500	G109452	25.59
	3-POINT HITCH TILT			2.500	1.250	G109475	28.67
	3-POINT HITCH PITCH			2.500	1.250	G109476	27.56
	BACKHOE BOOM			3.250	1.750	1543265C1	43.42
	BACKHOE BUCKET			3.500	2.500	G109504	37.46
				4.000	2.500	G109424	44.30
	BACKHOE DIPPER			4.000	2.000	1543273C1	47.63
	BACKHOE DIPPER EXT.			3.000	1.500	G109452	25.59
	BACKHOE STABILIZER			4.000	2.000	1543273C1	47.63
BACKHOE SWING			4.000	2.000	1543273C1	47.63	
LOADER LIFT			3.000	1.750	1543262C1	35.04	
LOADER TILT			2.500	1.500	1543253C1	37.18	
LOADER CLAM			3.000	1.750	1543262C1	35.04	
580F	STEERING			1.500	0.750	D148100	13.48
	BACKHOE BOOM			3.250	1.750	G105528	36.98
				3.250	1.750	G105547	38.76
	BACKHOE BUCKET			3.500	2.000	G105527	42.39
				3.500	2.000	G105546	37.94
	BACKHOE DIPPER			4.000	2.000	G105517	39.11
				4.000	2.000	1543273C1	47.63
	BACKHOE EXTENDAHOE			3.000	1.500	G105512	38.64
				3.000	1.500	G105548	33.71
	BACKHOE STABILIZER	PRIOR-3.775.176		4.000	2.000	G105517	39.11
		3.775.177-UP		4.000	2.000	1543273C1	47.63
	BACKHOE SWING	PRIOR-3.785.895		3.000	1.750	G105524	42.58
		3.785.896-UP		3.000	1.750	G105549	42.89
		PRIOR-3.775.161		4.000	2.000	G105517	39.11
		3.775.162-UP		4.000	2.000	1543273C1	47.63
		PRIOR-3.785.922		4.000	1.750	G34626	39.94
		3.785.923-3.787.235		4.000	1.750	G105552	40.38
	LOADER LIFT			3.250	2.000	G105553	42.49
	LOADER TILT			2.500	1.500	G32294	26.62
				2.500	1.500	G105550	25.29
	LOADER CLAM			3.000	1.750	G105524	42.58
			3.000	1.750	G105549	42.89	
STEERING		3.736.937-UP		1.500	0.750	D148100	13.48

All manufacturer's names, part numbers and descriptions are used for reference purposes only. We do not imply that any part shown is the product of these manufacturers.

INDUSTRIAL SEAL KITS

MOBILE SEAL KITS

J.I. CASE

KITS 426

J.I. CASE

WHEELED BACKHOE LOADER

INDUSTRIAL
SEAL KITS

MOBILE
SEAL KITS

J.I. CASE

Model	Application	Serial Number	Cylinder Number	Bore	Rod	Ref. Number RJIC-	\$
580K	3-PT HITCH LIFT & TILT			3.000	1.250	G110048	26.36
				2.750	1.250	G110047	27.90
	BACKHOE BOOM			5.000	2.250	G110583	107.95
	BACKHOE BUCKET			3.500	2.500	G110046	37.13
	BACKHOE DIPPER			5.000	2.500	1542915C2	51.78
	BACKHOE DIPPER EXT.			3.000	1.750	G110049	33.21
	BACKHOE STABILIZER			4.250	2.000	1543275C1	46.02
	BACKHOE SWING			3.250	1.750	G110053	30.46
				3.500	1.750	G110621	34.58
		LOADER LIFT			3.250	1.750	G110053
	LOADER TILT			3.000	1.500	G110050	29.31
	LOADER CLAM			3.000	1.750	1543262C1	35.04
580 SUPER L	SIDE SHIFT SWING			4.000	2.000	1543269C1	43.56
	SIDE SHIFT STABILIZER			3.000	1.750	1543262C1	35.04
	STEERING			2.750	1.500	G110045	38.45
	BACKHOE BOOM		144200A1	5.000	2.250	1542919C2	117.16
	BACKHOE DIPPER		126151A1				
			183795A1	5.000	2.500	1542915C2	51.78
			183795A2				
	BACKHOE BUCKET		110290A1	3.500	2.500	1542923C2	54.78
			235916A1				
	BACKHOE DIPPER EXT.		1340969C2	3.000	1.750	1543267C1	42.42
BACKHOE STABILIZER		143695A1					
580L				4.250	2.000	1543275C1	46.02
				199720A1			
				199721A1			
	BACKHOE SWING		139808A1	4.000	2.000	122535A1	73.41
	LOADER LIFT		112366A2	3.250	1.750	1543260C1	43.42
	LOADER BUCKET		113133A2	3.000	1.500	1543256C1	34.32
			1346189C1	3.000	1.750	1543267C1	42.42
	LOADER CLAM		1346190C1	3.000	1.750	1543267C1	42.42
	3-POINT HITCH LIFT		137512A1	3.000	1.500	1543256C1	34.32
			196832A1				
		137912A1	2.500	1.250	183286A1	39.53	
3-POINT HITCH PITCH		138235A1	2.500	1.250	183286A1	39.53	
BACKHOE BOOM		182106A1	4.500	2.250	182218A1	77.26	
BACKHOE DIPPER		175774A1	4.250	2.250	234844A1	80.19	
		233114A1	4.250	2.250	234844A1	80.19	
BACKHOE BUCKET		128760A1	3.250	2.250	131750A2	53.65	
BACKHOE DIPPER EXT.		1340970C2	3.000	1.750	1543267C1	42.42	
BACKHOE STABILIZER		143574A1					
		143575A1	4.000	2.000	1543269C1	43.56	
		195503A1					
		195504A1					
BACKHOE SWING		139808A1	4.000	2.000	122535A1	73.41	
		139808A2					

All manufacturer's names, part numbers and descriptions are used for reference purposes only. We do not imply that any part shown is the product of these manufacturers.

WHEELED BACKHOE LOADER

J.I. CASE

Model	Application	Serial Number	Cylinder Number	Bore	Rod	Ref. Number RJIC-	\$
580SK	LOADER LIFT		188027A1	3.750	2.000	191747A1	73.52
	LOADER BUCKET		131417A1	3.000	1.750	1543267C1	42.42
	LOADER CLAM		175238A1	2.750	1.500	175251A1	55.74
	LOADER CLAM		1346189C1	3.000	1.750	1543267C1	42.42
	BACKHOE BOOM			5.000	2.250	G110583	107.95
	BACKHOE BUCKET			3.500	2.500	G110046	37.13
	BACKHOE DIPPER			5.000	2.500	G110582	44.96
	BACKHOE DIPPER EXT.			3.000	1.750	G110049	33.21
	BACKHOE STABILIZER			4.250	2.000	1543275C1	46.02
	BACKHOE SWING			3.500	1.750	G110621	34.58
580SL construction king	LOADER LIFT			3.500	1.750	G110621	34.58
	LOADER TILT			3.000	1.500	G110050	29.31
	LOADER CLAM			3.000	1.750	1543262C1	35.04
	SIDE SHIFT SWING			4.500	2.250	1543279C1	48.80
	BACKHOE BOOM		144200A1	5.000	2.250	1542919C2	117.16
	BACKHOE BUCKET		110290A1	3.500	2.500	1542923C2	54.78
	BACKHOE DIPPER		235916A1				
	BACKHOE DIPPER		126151A1	5.000	2.500	1542915C2	51.78
	BACKHOE DIPPER		183795A1				
	BACKHOE DIPPER EXT.		1340969C2	3.000	1.750	1543267C1	42.42
BACKHOE SWING		139808A1	4.000	2.000	122535A1	73.41	
	BACKHOE SWING		139808A2				
	LOADER CLAM LH		1346189C1	3.000	1.750	1543267C1	42.42
	LOADER CLAM RH		1346190C1				
	STABILIZER LH		143697A1	4.250	2.000	1543275C1	46.02
	STABILIZER LH		199721A1				
	STABILIZER RH		143695A1	4.250	2.000	1543275C1	46.02
590	BACKHOE BOOM		1980395C5	5.500	2.500	1980412C2	156.30
	BACKHOE BOOM		1980395C6				
	BACKHOE DIPPER		1994520C1	5.500	2.750	1994527C2	151.97
	BACKHOE DIPPER		1994520C2				
	BACKHOE BUCKET		1986902C1	3.500	2.500	1542923C2	54.78
	BACKHOE DIPPER EXT.		1986902C2				
	BACKHOE STABILIZER		1340853C2	3.000	1.750	1543267C1	42.42
	BACKHOE STABILIZER		1986810C1				
	BACKHOE STABILIZER		1986811C1	5.000	2.250	1543289C2	66.82
	BACKHOE STABILIZER		110885A1				
	BACKHOE SWING		110886A1				
	BACKHOE SWING		1343584C1	3.750	2.000	1980181C2	49.61
	BACKHOE SWING		1343584C2				
	LOADER LIFT		1980220C2	3.500	1.750	1543266C1	43.21
	LOADER LIFT		1542743C1				
	LOADER BUCKET		110875A1				
	LOADER BUCKET		G108486				

All manufacturer's names, part numbers and descriptions are used for reference purposes only. We do not imply that any part shown is the product of these manufacturers.

INDUSTRIAL SEAL KITS

MOBILE SEAL KITS

J.I. CASE

J.I. CASE

WHEELED BACKHOE LOADER

INDUSTRIAL
SEAL KITS

MOBILE
SEAL KITS

J.I. CASE

Model	Application	Serial Number	Cylinder Number	Bore	Rod	Ref. Number RJIC-	\$
590 SUPER L	LOADER CLAM		G108487	3.000	1.500	1543256C1	34.32
			110306A1	3.000	1.750	1543267C1	42.42
			110309A1				
			1346189C1				
			1346190C1				
	BACKHOE BOOM		175785A1	5.500	2.500	1980412C2	156.30
	BACKHOE DIPPER		140965A1	5.500	2.500	179011A1	120.00
	BACKHOE BUCKET		1986902C2	3.500	2.500	1542923C2	54.78
			238435A1				
	BACKHOE DIPPER EXT.		1340853C2	3.000	1.750	1543267C1	42.42
BACKHOE STABILIZER		177256A1	5.000	2.250	1543289C2	66.82	
	BACKHOE SWING		177257A1	4.000	2.000	122535A1	73.41
			139808A1				
	LOADER LIFT		139808A1	3.500	1.750	1543266C1	43.21
	LOADER BUCKET		113133A2	3.500	1.750	1543256C1	34.32
	LOADER CLAM		1346189C1	3.000	1.750	1543267C1	42.42
680	3-POINT HITCH PITCH BACKHOE BOOM	ALL		2.500	1.250	G110055	43.23
					2.250	D42878	16.11
	4.500				DTVS4.5P		
BACKHOE BUCKET				2.250	D42877	13.12	
	BACKHOE DIPPER			4.000	2.250	G33239	17.72
				4.500		D42878	16.11
	BACKHOE STABILIZER				1.750	DTVS4.5P	
				3.500		D42873	18.14
	BACKHOE SWING				1.750	G33237	16.25
680B	LOADER TILT			4.000	1.750	D42875	14.04
						G33239	17.72
				3.500		D42873	18.14
						G33237	16.25
680B	BACKHOE BOOM			5.000	2.250	G32696	49.55
	BACKHOE BUCKET				2.250	D42877	13.12
	BACKHOE DIPPER			4.000		G33239	17.72
				4.000	2.250	G34636	44.38
					2.250	D42878	16.11
	4.500				DTVS4.5P		
	4.500			2.250	G105520	62.79	
BACKHOE STABILIZER				2.000	D42876	14.31	
	BACKHOE SWING			4.000		G33239	17.72
				4.000	2.000	G32299	38.45
				4.500	2.000	G32695	51.78
				4.500	2.000	G105525	50.29
					2.000	D42874	11.91
LOADER LIFT				3.500	G33237	16.25	

All manufacturer's names, part numbers and descriptions are used for reference purposes only. We do not imply that any part shown is the product of these manufacturers.

Remsa [KITS]

WHEELED BACKHOE LOADER

J.I. CASE

Model	Application	Serial Number	Cylinder Number	Bore	Rod	Ref. Number RJIC-	\$
680C	LOADER TILT			3.500	2.000	G34648	39.20
					1.750	D42872	13.23
	3.000				G33151	14.67	
	3.000			1.750	G105524	42.58	
				1.750	D42872	13.23	
	3.000				G33151	14.67	
	3.000			1.750	G105524	42.58	
	3-POINT HITCH TILT			2.500	1.500	G32294	26.62
	3-POINT HITCH PITCH			2.500	1.500	G105550	25.29
				2.500	1.500	G32294	26.62
	2.500	1.500	G105550	25.29			
680CK	BACKHOE BOOM			5.000	2.250	G32696	49.55
	BACKHOE BUCKET			4.000	2.250	G34636	44.38
	BACKHOE DIPPER			2.500	1.250	G105551	28.67
					2.250	D42878	16.11
				4.500		DTVS4.5P	
				4.500	2.250	G105520	62.79
	BACKHOE DIPPER EXT.			3.000	1.500	G105512	38.64
				3.000	1.500	G105512	38.64
	BACKHOE STABILIZER				2.000	D42876	14.31
				4.000		G33239	17.72
	4.000	2.000	G32299	38.45			
	4.000	2.000	G105517	39.11			
680CK	BACKHOE SWING			4.000	2.000	1543273C1	47.63
				4.500	2.000	G32695	51.78
	4.500			2.000	G105525	50.29	
	LOADER LIFT			3.500	2.000	G34648	39.20
				3.500	2.000	G105521	36.98
				3.500	2.000	G105546	37.94
	LOADER TILT			3.000	1.750	G105524	42.58
	3.000			1.750	G34643	34.02	
LOADER HYDRA-LEVELING	3.000			1.750	G105549	42.89	
	3.000			1.750	G105524	42.58	
LOADER CLAM	3.000	1.500	G105548	33.71			
	3.000	1.500	G105512	38.64			
	3.000	1.500	G105548	33.71			
680CK	BACKHOE BOOM				2.250	D42878	16.11
				4.500		DTVS4.5P	
	BACKHOE BUCKET				2.250	D42877	13.12
				4.000		G33239	17.72
	BACKHOE DIPPER				2.250	D42878	16.11
				4.500		DTVS4.5P	
BACKHOE STABILIZER		2.000	D42876	14.31			
	4.000		G33239	17.72			
BACKHOE SWING		1.750	D42875	14.04			
	4.000		G33239	17.72			

All manufacturer's names, part numbers and descriptions are used for reference purposes only. We do not imply that any part shown is the product of these manufacturers.

INDUSTRIAL SEAL KITS

MOBILE SEAL KITS

J.I. CASE

J.I. CASE

WHEELED BACKHOE LOADER

INDUSTRIAL
SEAL KITS

MOBILE
SEAL KITS

J.I. CASE

Model	Application	Serial Number	Cylinder Number	Bore	Rod	Ref. Number RJIC-	\$
	LOADER LIFT				2.000	D42874	11.91
				3.500		G33237	16.25
	LOADER TILT				1.750	D42872	13.23
				3.000		G33151	14.67
	LOADER HYDRA-LEVELING				1.750	D42872	13.23
				3.000	G33151	14.67	
680E	BACKHOE BOOM			4.000	2.250	G34827	44.38
				4.000	2.250	G105556	43.81
	BACKHOE BUCKET			4.000	2.250	G34636	44.38
				4.000	2.250	G105556	43.81
	BACKHOE DIPPER			4.500	2.500	G105513	64.75
	BACKHOE DIPPER EXT.			3.000	1.500	G105512	38.64
				3.000	1.500	G105548	33.71
	BACKHOE STABILIZER			4.500	2.000	G105525	50.29
	BACKHOE SWING			4.000	2.000	G105517	39.11
				4.000	2.000	1543273C1	47.63
	LOADER LIFT			3.500	2.000	G105521	36.98
				3.500	2.000	G105546	37.94
	LOADER TILT			3.000	1.750	G34643	34.02
				3.000	1.750	G105549	42.89
	LOADER CLAM			3.000	1.500	G105512	38.64
				3.000	1.500	G105548	33.71
	STEERING			2.125	1.250	A43296	18.80
				2.125	1.250	G101021	19.84
				2.125	1.250	G34819	20.42
680G, 680H	BACKHOE BOOM			4.000	2.250	G105556	43.81
	BACKHOE BUCKET			4.000	2.250	G105556	43.81
	BACKHOE DIPPER			4.500	2.500	G105513	64.75
	BACKHOE DIPPER EXT.			3.000	1.500	G105548	33.71
	BACKHOE STABILIZER			4.500	2.000	G105525	50.29
	BACKHOE SWING			4.000	2.000	1543273C1	47.63
	LOADER LIFT			3.500	2.000	G105546	37.94
	LOADER TILT			3.000	1.750	G105549	42.89
	LOADER CLAM			3.000	1.500	G105548	33.71
	STEERING			2.125	1.250	G34819	20.42
680K	BACKHOE BOOM			4.000	2.250	G109505	40.23
	BACKHOE BUCKET			4.000	2.250	G109505	40.23
	BACKHOE DIPPER			4.500	2.500	G109498	59.72
	BACKHOE DIPPER EXT.			3.000	1.500	G109452	25.59
	BACKHOE SWING			4.000	2.000	1543273C1	47.63
	LOADER LIFT			3.500	2.000	G109453	37.94
	LOADER TILT			3.000	1.750	1543262C1	35.04
	LOADER CLAM			3.000	1.500	G109452	25.59
	STEERING			2.125	1.250	G34819	20.42

All manufacturer's names, part numbers and descriptions are used for reference purposes only. We do not imply that any part shown is the product of these manufacturers.

WHEELED BACKHOE LOADER

J.I. CASE

Model	Application	Serial Number	Cylinder Number	Bore	Rod	Ref. Number RJIC-	\$
680L	BACKHOE BOOM		G101256	4.000	2.250	1543277C1	49.06
			1343567C1	4.000	2.250	1346478C2	72.82
	BACKHOE BUCKET		G103856	4.000	2.250	1543277C1	49.06
			1343602C1	4.000	2.250	1346478C2	72.82
	BACKHOE DIPPER		G101348	4.500	2.500	1543291C1	63.25
			1345994C1	4.500	2.500	1343707C2	58.00
	BACKHOE DIPPER EXT.		1980375C1	3.000	1.500	1543256C1	34.32
	BACKHOE STABILIZER		G102276	4.500	2.000	1543270C1	61.40
			1986853C1	4.500	2.000	1986856C2	62.94
	BACKHOE SWING		1978339C1	4.000	2.000	1543269C1	43.56
	LOADER LIFT	PRIOR TO JYG0070547 EXCEPT JYG00705423, 526 & 540 PRIOR TO JYG0070523, 526, 540, 547 AND UP	G103457	3.500	2.000	1543274C1	48.63
			G103073	4.000	2.250	1543277C1	49.06
	LOADER TILT		G101220	3.000	1.750	1543262C1	35.04
	LOADER CLAM		D143217	4.000	2.000	D143215	25.98
780	BACKHOE BOOM			4.500	2.500	G105513	64.75
	BACKHOE BUCKET	PRIOR TO 5500549 5500550-UP		5.000	3.000	G32668	52.43
				5.000	3.000	G105531	60.65
	BACKHOE DIPPER			6.000	3.000	G105516	65.17
	BACKHOE DIPPER EXT.			4.000	2.250	G34636	44.38
				4.000	2.250	G105556	43.81
	BACKHOE STABILIZER			4.500	2.500	G105513	64.75
	BACKHOE SWING			4.500	2.250	G105520	62.79
	LOADER LIFT			4.500	2.250	G105520	62.79
	LOADER TILT			3.500	1.750	G32228	34.32
				3.500	1.750	G105508	41.86
	LOADER HYDRA-LEVELING			4.000	2.000	G105517	39.11
	LOADER CLAM			4.000	2.000	G32299	38.45
				4.000	2.000	1543273C1	47.63
780B	BACKHOE BOOM	ALL		4.500	2.500	G105560	42.10
	BACKHOE BUCKET	ALL		4.500	2.500	G105560	42.10
	BACKHOE DIPPER			5.000	2.750	G105562	63.19
	BACKHOE DIPPER EXT.			3.000	1.500	G105548	33.71
	BACKHOE STABILIZER			4.500	2.250	G105557	56.42
	BACKHOE SWING			4.000	2.000	1543273C1	47.63
	LOADER LIFT			4.000	2.250	G105556	43.81
	LOADER TILT			3.500	2.000	G105546	37.94
	LOADER CLAM			4.000	2.000	1543273C1	47.63
	STEERING			2.125	1.250	G34819	20.42

All manufacturer's names, part numbers and descriptions are used for reference purposes only. We do not imply that any part shown is the product of these manufacturers.

INDUSTRIAL
SEAL KITS

MOBILE
SEAL KITS

J.I. CASE

J.I. CASE

WHEEL LOADER W-SERIES

INDUSTRIAL
SEAL KITS

MOBILE
SEAL KITS

J.I. CASE

Model	Application	Serial Number	Cylinder Number	Bore	Rod	Ref. Number RJIC-	\$			
W3	BACKHOE BOOM				2.000	D42876	14.31			
				4.000		G33239	17.72			
					1.750	D42873	18.14			
	BACKHOE BUCKET			3.500		G33237	16.25			
				BACKHOE DIPPER	2.000	D42876	14.31			
					4.000	G33239	17.72			
	BACKHOE STABILIZER						1.750	D42873	18.14	
							3.500	G33237	16.25	
							LOADER LIFT	1.500	D42870	17.67
3.000		G33151	14.67							
LOADER TILT		1.500	D42869				17.80			
		2.500	G33193				14.31			
W7, W7C, W7E	BACKHOE BOOM				2.000	D42876	14.31			
				3.000		G33151	14.67			
				4.000	2.000	G32299	38.45			
					2.250	D42878	16.11			
				4.500		DTVS4.5P				
				4.500	2.250	G105520	62.79			
	BACKHOE BUCKET						1.750	D42873	18.14	
							3.500	G33237	16.25	
								2.000	D42874	11.91
							3.500	G33237	16.25	
							3.500	2.000	G32293	34.76
								2.250	D42877	13.12
BACKHOE DIPPER				4.000		G33239	17.72			
				4.000	2.250	G34636	44.38			
					2.000	D42876	14.31			
				4.000		G33239	17.72			
				4.000	2.000	G32299	38.45			
					2.250	D42878	16.11			
BACKHOE STABILIZER				4.500		DTVS4.5P				
				4.500	2.250	G105520	62.79			
					1.750	D42873	18.14			
				3.500	G33237	16.25				
				3.500	1.750	G105518	38.45			
					1.750	G105529	36.07			
BACKHOE SWING					2.000	D42876	14.31			
				4.000		G33239	17.72			
				4.000	2.000	G32299	38.45			
					1.750	D42875	14.04			
				4.000		G33239	17.72			
				LOADER LIFT	4.000	1.750	G105519	36.87		
						2.000	D42876	14.31		
					4.000		G33239	17.72		
LOADER TILT				4.000	2.000	G32299	38.45			
				3.000	1.500	G105512	38.64			

All manufacturer's names, part numbers and descriptions are used for reference purposes only. We do not imply that any part shown is the product of these manufacturers.

Remsa [KITS]

WHEEL LOADER W-SERIES

J.I. CASE

Model	Application	Serial Number	Cylinder Number	Bore	Rod	Ref. Number RJIC-	\$		
W8E	LOADER LIFT			5.000	2.500	G32184	45.36		
	LOADER TILT			3.500	1.750	G32228	34.32		
W9, W9A, W9B, W9C, W9E, W10, W10B, W10C, W10E	BACKHOE BOOM				2.000	D42876	14.31		
				4.000		G33239	17.72		
	BACKHOE BUCKET				4.000	2.000	G32299	38.45	
					4.500	2.250	D42878	16.11	
					4.500	2.250	G105520	62.79	
						1.750	D42873	18.14	
					3.500		G33237	16.25	
						2.000	D42874	11.91	
		BACKHOE DIPPER				3.500		G33237	16.25
						3.500	2.000	G32293	34.76
					2.250	D42877	13.12		
				4.000		G33239	17.72		
				4.000	2.250	G34636	44.38		
					2.000	D42876	14.31		
BACKHOE STABILIZER					4.000		G33239	17.72	
					4.000	2.000	G32299	38.45	
						2.250	D42878	16.11	
					4.500		DTVS4.5P		
BACKHOE STABILIZER				4.500	2.250	G105520	62.79		
					1.750	D42873	18.14		
	BACKHOE SWING				3.500		G33237	16.25	
					3.500	1.750	G105518	38.45	
					3.500	1.750	G105529	36.07	
						2.000	D42876	14.31	
					4.000		G33239	17.72	
					4.000	2.000	G32299	38.45	
	LOADER LIFT LOADER TILT				4.000	1.750	D42875	14.04	
					4.000		G33239	17.72	
				4.000	1.750	G105519	36.87		
				5.000	2.500	G32184	45.36		
W11, W11B	LOADER LIFT			3.500	2.000	G32228	34.32		
	LOADER TILT								
	LOADER CLAM			3.500	1.750	G32228	34.32		
	STEERING			3.000	1.500	G109453	37.94		
				3.000	1.500	1543253C1	37.18		
W14, W14L, W14H	BACKHOE BOOM			3.000	1.750	1543262C1	35.04		
				3.000	1.500	G109452	25.59		
	BACKHOE BUCKET				4.000	2.250	G34636	44.38	
					4.000	2.250	G109505	40.23	
					3.250	1.750	G105528	36.98	
					3.250	1.750	1543265C1	43.42	
					3.000	1.750	G109462	29.35	
			3.000	1.750	1543262C1	35.04			
			3.500	2.000	G109454	28.17			

All manufacturer's names, part numbers and descriptions are used for reference purposes only. We do not imply that any part shown is the product of these manufacturers.

INDUSTRIAL
SEAL KITS

MOBILE
SEAL KITS

J.I. CASE

J.I. CASE

WHEEL LOADER W-SERIES

INDUSTRIAL
SEAL KITS

MOBILE
SEAL KITS

J.I. CASE

Model	Application	Serial Number	Cylinder Number	Bore	Rod	Ref. Number RJIC-	\$	
	BACKHOE DIPPER			3.500	2.000	G109453	37.94	
				3.500	2.500	G109504	37.46	
				4.000	2.500	G109424	44.30	
				3.500	2.000	G109454	28.17	
				3.500	2.000	G109453	37.94	
				4.000	2.000	G109421	29.67	
				4.000	2.000	1543273C1	47.63	
	BACKHOE DIPPER EXT.			3.000	1.500	G105512	38.64	
				3.000	1.500	G109452	25.59	
	BACKHOE STABILIZER			3.500	1.750	G109470	33.24	
				3.500	1.750	G109471	36.98	
	BACKHOE STABILIZER BACKHOE SWING			4.000	2.000	1543273C1	47.63	
				3.500	1.500	G34652	33.84	
	3.500			1.500	G109472	34.96		
	4.000			2.000	G109421	29.67		
	4.000			2.000	1543273C1	47.63		
	LOADER LIFT			4.500	2.250	G105520	62.79	
	LOADER TILT			3.000	1.750	G109462	29.35	
	LOADER CLAM			3.000	1.750	1543262C1	35.04	
				3.000	1.500	G105512	38.64	
	LOADER GRAPPLE STEERING			3.000	1.500	G109452	25.59	
3.000		1.500	G109418	25.42				
W14B				2.500	1.250	G32295	32.13	
				2.500	1.250	G109475	28.67	
				LOADER LIFT	4.500	2.250	G105520	62.79
				LOADER TILT	3.500	2.000	G109453	37.94
				LOADER CLAM	3.000	1.500	G109452	25.59
				LOADER GRAPPLE	3.000	1.500	G109418	25.42
W18, W20, W20B	STEERING	PRIOR-9115602 9115603-9123139 9123140-UP		2.500	1.250	G109475	28.67	
				5.000	3.000	G32668	52.43	
				5.000	3.000	G109502	59.82	
				5.000	2.500	G105515	52.99	
	LOADER TILT			4.000	2.000	G109421	29.67	
				4.000	2.000	1543273C1	47.63	
				4.000	2.000	G32299	38.45	
				4.000	2.000	1543273C1	47.63	
				3.000	1.500	G105512	38.64	
W18B, W20C	STEERING			3.000	1.500	G109452	25.59	
				5.000	2.500	G105515	52.99	
				4.000	2.000	1543273C1	47.63	
				3.000	1.500	G109452	25.59	

All manufacturer's names, part numbers and descriptions are used for reference purposes only. We do not imply that any part shown is the product of these manufacturers.

Remsa [KITS]

WHEEL LOADER W-SERIES

J.I. CASE

Model	Application	Serial Number	Cylinder Number	Bore	Rod	Ref. Number RJIC-	\$
W24	LOADER LIFT LOADER TILT LOADER CLAM	PRIOR-9105108		5.000	3.000	G32668	52.43
				4.500	2.500	G105513	64.75
					2.000	D42876	14.31
	4.000				G33239	17.72	
	4.000			2.000	G32299	38.45	
	STEERING				1.500	D42870	17.67
W24B	LOADER LIFT	9105109-UP		3.000		G33151	14.67
				3.000	1.500	G105512	38.64
				5.000	3.000	G32668	52.43
	5.000			3.000	G34334	58.96	
	5.000			3.000	G105531	60.65	
	W24C			LOADER TILT LOADER CLAM			4.500
4.000		2.000	G32299				38.45
4.000		2.000	G34335				36.24
4.000		2.000	1543273C1	47.63			
STEERING		3.000	1.500	G105512			38.64
		3.000	1.500	G105548			33.71
	5.000	3.000	G105531	60.65			
W26B, W26FL	LOADER LIFT LOADER TILT	9107499-UP		6.000	3.000	G105516	65.17
				5.000	2.500	G32184	45.36
				5.000	2.500	G105515	52.99
	STEERING				2.000	D42874	11.91
				3.500		G33237	16.25
				3.500	2.000	G32293	34.76
W30	LOADER TILT LOADER CLAM			3.500	2.000	G105527	42.39
				4.500	2.250	G105520	62.79
				4.000	2.000	1543273C1	47.63
	STEERING			3.250	1.750	G105547	38.76
				6.000	3.000	G105516	65.17
				4.500	2.250	G105520	62.79
W36	LOADER LIFT LOADER TILT STEERING			4.000	2.000	G105517	39.11
				4.000	2.000	1543273C1	47.63

All manufacturer's names, part numbers and descriptions are used for reference purposes only. We do not imply that any part shown is the product of these manufacturers.

INDUSTRIAL SEAL KITS

MOBILE SEAL KITS

J.I. CASE

J.I. CASE

WHEEL LOADER 21-SERIES

INDUSTRIAL SEAL KITS

MOBILE SEAL KITS

J.I. CASE

Model	Application	Serial Number	Cylinder Number	Bore	Rod	Ref. Number RJIC-	\$
621	LOADER CLAM	JAK0021701	S300146	4.000	2.000	S300163	20.01
		JAK0021701-UP	S301479	4.000	2.000	S301442	30.35
	LOADER LIFT	JAK0021700	G110354	5.000	3.000	1543305C1	76.76
		JAK0021701-UP	134596C1				
		JAK0021700	G110355	5.000	3.000	1543305C1	76.76
		JAK0021701-UP	134595C1				
	LOADER TILT	JAK0020286	G110312	6.000	3.000	G110526	77.97
		JAK0020286-JAK0020900	1980354C1				
		JAK0020901-UP	134552C2	6.000	3.000	G110526	77.97
	STEERING	ALL	1976862C1	3.000	1.750	G110049	33.21
	621B		S301431	4.000	2.000	S301442	30.35
	LOADER CLAM						
	LOADER LIFT		1343596C1	5.000	3.000	1543305C1	76.76
			1343595C1				
	LOADER TILT, Z-BAR		134355C2	6.000	3.000	G110526	77.97
	LOADER TILT, XT LOADER		112551A1	4.500	2.250	1543279C1	48.80
	STEERING - 1 PC		1976862C1	3.000	1.750	1543267C1	42.42
	LOADER CLAM		S300146	4.000	2.000	S300163	20.01
			S301479	4.000	2.000	S301442	30.35
			S301431				
721	LOADER LIFT		G110354				
			1343596C1	5.000	3.000	1543305C1	76.76
			G110355				
			134595C1				
	LOADER TILT	JAK0022102-JAK0022217	1345991C1	6.500	3.000	1543303C1	128.64
		JAK002218-UP	1980347C4				
	STEERING		1976862C1	3.000	1.750	G110049	33.21
721B	LOADER CLAM		S301431	4.000	2.000	S301442	30.35
	LOADER LIFT		1343596C1	5.000	3.000	1543305C1	76.76
			1343595C1				
	LOADER TILT Z-BAR		1980347C4	6.500	3.000	1543303C1	128.64
	LOADER TILT, XT LOADER		112551A1	4.500	2.250	1543279C1	48.80
	STEERING - 1 PC		1976862C1	3.000	1.750	1543267C1	42.42
821	LOADER CLAM		S301000	5.000	2.500	S301013	47.63
	LOADER LIFT		1340743C3	6.000	3.000	G110526	77.97
			1986601C1	6.000	3.500	1986823C2	128.37
	LOADER TILT		1980385C3	7.000	3.500	1543309C1	134.38
	STEERING	JAK0024132	1994558C1	3.500	1.750	G110621	34.58
		JAK0024132-UP	1986978C1				
821B	LOADER CLAM		S301000	5.000	2.500	S301013	47.63
	LOADER LIFT		1986601C1	6.000	3.500	1986823C2	128.37
	LOADER TILT		1980386C3	7.000	3.500	1543309C1	134.38
	STEERING		1986978C1	3.500	1.750	1543266C1	43.21

All manufacturer's names, part numbers and descriptions are used for reference purposes only. We do not imply that any part shown is the product of these manufacturers.

WHEEL LOADER 21-SERIES

J.I. CASE

Model	Application	Serial Number	Cylinder Number	Bore	Rod	Ref. Number RJIC-	\$
921	LOADER LIFT	1346267C1 & 1346268C1 GLANDS 1346269C1 GLAND	1986603C1	7.000	4.000	1986920C2	147.91
	LOADER TILT		1346171C3	8.000	4.000	1346357C2	192.92
	STEERING - 1 PC		1346169C2	4.000	2.000	1543269C1	43.56
			1346169C2				

KIT LISTING

J.I. CASE

Ref. Number	Desc.	Bore	Rod	\$	Ref. Number	Desc.	Bore	Rod	\$
RJIC-105548	SEAL KIT	3.000	1.500	27.77	RJIC-1543269C1	SEAL KIT	4.000	2.000	43.56
RJIC-110507A1	SEAL KIT	2.000	1.375	45.28	RJIC-1543270C1	SEAL KIT	4.500	2.000	61.40
RJIC-110510A1	SEAL KIT	2.000	1.000	45.28	RJIC-1543271C1	SEAL KIT	4.000	2.000	34.18
RJIC-122535A1	SEAL KIT	4.000	2.000	73.41	RJIC-1543273C1	SEAL KIT	4.000	2.000	47.63
RJIC-128725A1	SEAL KIT	2.500	1.500	24.56	RJIC-1543274C1	SEAL KIT	3.500	2.000	48.63
RJIC-128728A1	SEAL KIT	2.500	1.250	20.79	RJIC-1543275C1	SEAL KIT	4.250	2.000	46.02
RJIC-131750A2	SEAL KIT	3.250	2.250	53.65	RJIC-1543276C1	SEAL KIT	4.500	2.250	71.42
RJIC-131790A1	SEAL KIT	4.250	2.250	36.42	RJIC-1543277C1	SEAL KIT	4.000	2.250	49.06
RJIC-1343707C2	SEAL KIT	4.500	2.500	58.00	RJIC-1543279C1	SEAL KIT	4.500	2.250	48.80
RJIC-1346357C2	SEAL KIT	8.000	4.000	192.92	RJIC-1543289C2	SEAL KIT	5.000	2.250	66.82
RJIC-1346409C2	SEAL KIT	2.750	1.500	56.71	RJIC-1543290C1	SEAL KIT	4.500	2.500	40.32
RJIC-1346478C2	SEAL KIT	4.000	2.250	72.82	RJIC-1543291C1	SEAL KIT	4.500	2.500	63.25
RJIC-1542764C2	SEAL KIT	2.500	1.500	44.43	RJIC-1543294C1	SEAL KIT	3.500	2.500	39.92
RJIC-1542874C1	SEAL KIT		1.500	11.05	RJIC-1543303C1	SEAL KIT	6.500	3.000	128.64
RJIC-1542875C1	SEAL KIT		1.750	13.66	RJIC-1543304C1	SEAL KIT	5.000	3.000	108.34
RJIC-1542877C1	SEAL KIT		2.250	14.05	RJIC-1543305C1	SEAL KIT	5.000	3.000	76.76
RJIC-1542879C1	SEAL KIT	5.000	2.500	53.68	RJIC-1543306C1	SEAL KIT	6.000	3.000	92.57
RJIC-1542915C2	SEAL KIT	5.000	2.500	51.78	RJIC-1543309C1	SEAL KIT	7.000	3.500	134.38
RJIC-1542919C2	SEAL KIT	5.000	2.250	117.16	RJIC-1543312C1	SEAL KIT	5.000	2.500	66.50
RJIC-1542919C4	SEAL KIT	5.000	2.250	127.85	RJIC-1543313C1	SEAL KIT	3.000	1.500	43.26
RJIC-1542923C2	SEAL KIT	3.500	2.500	54.78	RJIC-1543378C1	SEAL KIT	3.000	1.500	58.59
RJIC-1543249C1	SEAL KIT	2.500	1.250	39.85	RJIC-1543383C1	SEAL KIT	3.500	2.000	58.34
RJIC-1543250C1	SEAL KIT	2.500	1.250	31.69	RJIC-1543385C1	SEAL KIT	4.500	2.250	47.91
RJIC-1543252C1	SEAL KIT	3.000	1.500	36.45	RJIC-156002A1	SEAL KIT	160.00	110.00	399.13
RJIC-1543253C1	SEAL KIT	2.500	1.500	37.18	RJIC-158846A1	SEAL KIT	140.00	95.00	311.08
RJIC-1543254C1	SEAL KIT	3.500	1.500	39.91	RJIC-160227A1	SEAL KIT	150.00	105.00	322.94
RJIC-1543256C1	SEAL KIT	3.000	1.500	34.32	RJIC-160229A1	SEAL KIT	135.00	90.00	242.77
RJIC-1543260C1	SEAL KIT	3.250	1.750	43.42	RJIC-160577A1	SEAL KIT	125.00	85.00	218.63
RJIC-1543261C1	SEAL KIT	3.500	1.750	39.92	RJIC-160579A1	SEAL KIT	135.00	100.00	310.13
RJIC-1543262C1	SEAL KIT	3.000	1.750	35.04	RJIC-160581A1	SEAL KIT	120.00	80.00	201.92
RJIC-1543263C1	SEAL KIT	3.000	1.750	45.92	RJIC-161912A1	SEAL KIT	115.00	80.00	229.01
RJIC-1543264C1	SEAL KIT	4.000	1.750	44.15	RJIC-161913A1	SEAL KIT	125.00	90.00	273.52
RJIC-1543265C1	SEAL KIT	3.250	1.750	43.42	RJIC-161914A1	SEAL KIT	105.00	75.00	240.44
RJIC-1543266C1	SEAL KIT	3.500	1.750	43.21	RJIC-162976A1	SEAL KIT	95.00	70.00	211.10
RJIC-1543267C1	SEAL KIT	3.000	1.750	42.42	RJIC-164183A1	SEAL KIT	125.00	85.00	216.36
RJIC-1543268C1	SEAL KIT	3.250	2.000	40.62	RJIC-164493A1	SEAL KIT	100.00	75.00	150.87

All manufacturer's names, part numbers and descriptions are used for reference purposes only. We do not imply that any part shown is the product of these manufacturers.

INDUSTRIAL SEAL KITS

MOBILE SEAL KITS

J.I. CASE

J.I. CASE

KIT LISTING

Ref. Number	Desc.	Bore	Rod	\$	Ref. Number	Desc.	Bore	Rod	\$
RJIC-164494A1	SEAL KIT	115.00	80.00	241.32	RJIC-D42869	SEAL KIT	N/A	1.500	17.80
RJIC-175251A1	SEAL KIT	2.750	1.500	55.74	RJIC-D42870	SEAL KIT	N/A	1.500	17.67
RJIC-179011A1	SEAL KIT	5.500	2.500	120.00	RJIC-D42871	SEAL KIT	N/A	1.500	17.25
RJIC-182218A1	SEAL KIT	4.500	2.250	77.26	RJIC-D42872	SEAL KIT	N/A	1.750	13.23
RJIC-183286A1	SEAL KIT	2.500	1.250	39.53	RJIC-D42873	SEAL KIT	N/A	1.750	18.14
RJIC-191747A1	SEAL KIT	3.750	2.000	73.52	RJIC-D42874	SEAL KIT	N/A	2.000	11.91
RJIC-1980161C1	SEAL KIT	3.500	2.000	44.82	RJIC-D42875	SEAL KIT	N/A	1.750	14.04
RJIC-1980181C2	SEAL KIT	3.750	2.000	49.61	RJIC-D42876	SEAL KIT	N/A	2.000	14.31
RJIC-1980412C2	SEAL KIT	5.500	2.500	156.30	RJIC-D42877	SEAL KIT	N/A	2.250	13.12
RJIC-198376A2	SEAL KIT	2.500	1.750	43.26	RJIC-D42878	SEAL KIT	N/A	2.250	16.11
RJIC-1986823C2	SEAL KIT	6.000	3.500	128.37	RJIC-D47205	VEE SET	4.500	N/A	19.28
RJIC-1986856C2	SEAL KIT	4.500	2.000	62.94	RJIC-D47206	VEE SET	5.000	N/A	32.66
RJIC-1986920C2	SEAL KIT	7.000	4.000	147.91	RJIC-D47207	VEE SET	5.500	N/A	17.76
RJIC-1994527C2	SEAL KIT	5.500	2.750	151.97	RJIC-D47651	SEAL KIT	N/A	2.000	12.53
RJIC-2348441A1	SEAL KIT	4.250	2.250	65.10	RJIC-D47896	SEAL KIT	N/A	1.500	14.25
RJIC-234844A1	SEAL KIT	4.250	2.250	80.19	RJIC-D49321	VEE SET	6.000	N/A	18.43
RJIC-235933A1	SEAL KIT	3.500	1.750	26.87	RJIC-D50279	SEAL KIT	5.000	3.000	42.24
RJIC-250741A1	SEAL KIT	3.500	1.750	51.92	RJIC-D61006	SEAL KIT	2.000	1.000	6.66
RJIC-297895A1	SEAL KIT	3.750	2.750	60.02	RJIC-D83184	SEAL KIT	1.500	0.750	13.48
RJIC-310478A1	SEAL KIT	3.000	1.750	50.79	RJIC-DRVS4.5P	SEAL KIT	N/A	4.500	0.00
RJIC-55355C91	SEAL KIT	2.500	1.000	60.26	RJIC-G101021	SEAL KIT	2.125	1.250	19.84
RJIC-700710260	SEAL KIT	3.000	1.375	66.60	RJIC-G102401	USE RJIC-G105545			34.83
RJIC-84154317	SEAL KIT	5.000	2.250	55.93	RJIC-G102402	USE RJIC-G105546			32.22
RJIC-84155085	SEAL KIT	4.250	2.000	49.30	RJIC-G102403	USE RJIC-G105547			30.49
RJIC-86613643	SEAL KIT	2.750	1.375	40.99	RJIC-G102404	USE RJIC-G105548			28.01
RJIC-86613644	SEAL KIT	2.250	1.500	27.89	RJIC-G102405	USE RJIC-G105549			29.49
RJIC-86614269	SEAL KIT	3.000	1.500	27.89	RJIC-G102406	USE RJIC-G105550			21.59
RJIC-86631598	SEAL KIT	2.500	1.500	28.03	RJIC-G102407	USE RJIC-G105551			38.89
RJIC-86988474	SEAL KIT	60.00	40.00	29.81	RJIC-G102408	SEAL KIT	4.000	1.750	35.48
RJIC-86988481	SEAL KIT	65.00	35.00	33.97	RJIC-G102410	SEAL KIT	3.500	1.750	36.64
RJIC-86988486	SEAL KIT	65.00	40.00	26.77	RJIC-G102411	USE RJIC-G105555			28.93
RJIC-86988490	SEAL KIT	70.00	35.00	43.80	RJIC-G102412	USE RJIC-G105556			39.96
RJIC-86988494	SEAL KIT	75.00	35.00	41.07	RJIC-G105206	SEAL KIT	2.750	1.500	38.77
RJIC-87367212	SEAL KIT	5.500	2.750	103.27	RJIC-G105502	SEAL KIT	3.000	1.500	32.72
RJIC-87367429	SEAL KIT	5.500	2.500	119.99	RJIC-G105503	SEAL KIT	2.000	1.500	32.09
RJIC-87418297	SEAL KIT	5.250	2.500	155.54	RJIC-G105505	SEAL KIT	2.500	1.500	26.18
RJIC-87434291	SEAL KIT	4.250	2.500	57.34	RJIC-G105507	SEAL KIT	2.500	1.250	22.76
RJIC-87434293	SEAL KIT	5.000	3.000	68.55	RJIC-G105508	SEAL KIT	3.500	1.750	41.86
RJIC-87440117	SEAL KIT	4.500	2.250	39.58	RJIC-G105510	SEAL KIT	3.000	1.250	23.25
RJIC-87442965	SEAL KIT	6.000	3.000	72.84	RJIC-G105512	SEAL KIT	3.000	1.500	38.64
RJIC-907001	SEAL KIT	2.000	2.000	22.04	RJIC-G105513	SEAL KIT	4.500	2.500	64.75
RJIC-A43296	SEAL KIT	2.125	1.250	18.80	RJIC-G105514	SEAL KIT	5.500	2.500	55.96
RJIC-A44644	SEAL KIT	1.500	0.750	8.96	RJIC-G105515	SEAL KIT	5.000	2.500	52.99
RJIC-D143215	SEAL KIT	4.000	2.000	25.98	RJIC-G105516	SEAL KIT	6.000	3.000	65.17
RJIC-D148100	SEAL KIT	1.500	0.750	13.48	RJIC-G105517	SEAL KIT	4.000	2.000	39.11
RJIC-D37360	SEAL KIT	2.500	1.500	24.25	RJIC-G105518	SEAL KIT	3.500	1.750	38.45
RJIC-D37361	SEAL KIT	2.000	1.500	22.19	RJIC-G105519	SEAL KIT	4.000	1.750	36.87
RJIC-D42867	SEAL KIT	N/A	1.250	14.17	RJIC-G105520	SEAL KIT	4.500	2.250	62.79

All manufacturer's names, part numbers and descriptions are used for reference purposes only. We do not imply that any part shown is the product of these manufacturers.

Remsa [KITS]

KIT LISTING

J.I. CASE

Ref. Number	Desc.	Bore	Rod	\$	Ref. Number	Desc.	Bore	Rod	\$
RJIC-G105521	SEAL KIT	3.500	2.000	36.98	RJIC-G109500	SEAL KIT	5.500	3.000	80.56
RJIC-G105523	SEAL KIT	3.000	1.750	36.98	RJIC-G109501	SEAL KIT	5.000	2.250	58.16
RJIC-G105524	SEAL KIT	3.000	1.750	42.58	RJIC-G109502	SEAL KIT	5.000	3.000	59.82
RJIC-G105525	SEAL KIT	4.500	2.000	50.29	RJIC-G109503	SEAL KIT	4.500	2.500	37.93
RJIC-G105526	SEAL KIT	4.000	2.000	40.68	RJIC-G109504	SEAL KIT	3.500	2.500	37.46
RJIC-G105527	SEAL KIT	3.500	2.000	42.39	RJIC-G109505	SEAL KIT	4.000	2.250	40.23
RJIC-G105528	SEAL KIT	3.250	1.750	36.98	RJIC-G110045	SEAL KIT	2.750	1.500	38.45
RJIC-G105529	SEAL KIT	3.500	1.750	36.07	RJIC-G110046	SEAL KIT	3.500	2.500	37.13
RJIC-G105530	SEAL KIT	5.000	2.250	62.86	RJIC-G110047	SEAL KIT	2.750	1.250	27.90
RJIC-G105531	SEAL KIT	5.000	3.000	60.65	RJIC-G110048	SEAL KIT	3.000	1.250	26.36
RJIC-G105545	SEAL KIT	4.000	2.000	42.89	RJIC-G110049	SEAL KIT	3.000	1.750	33.21
RJIC-G105546	SEAL KIT	3.500	2.000	37.94	RJIC-G110050	SEAL KIT	3.000	1.500	29.31
RJIC-G105547	SEAL KIT	3.250	1.750	38.76	RJIC-G110053	SEAL KIT	3.250	1.750	30.46
RJIC-G105548	SEAL KIT	3.000	1.500	33.71	RJIC-G110055	SEAL KIT	2.500	1.250	43.23
RJIC-G105549	SEAL KIT	3.000	1.750	42.89	RJIC-G110526	SEAL KIT	6.000	3.000	77.97
RJIC-G105550	SEAL KIT	2.500	1.500	25.29	RJIC-G110537	SEAL KIT	4.250	2.000	41.16
RJIC-G105551	SEAL KIT	2.500	1.250	28.67	RJIC-G110582	SEAL KIT	5.000	2.500	44.96
RJIC-G105552	SEAL KIT	4.000	1.750	40.38	RJIC-G110583	SEAL KIT	5.000	2.250	107.95
RJIC-G105553	SEAL KIT	3.250	2.000	42.49	RJIC-G110621	SEAL KIT	3.500	1.750	34.58
RJIC-G105555	SEAL KIT	3.500	1.500	31.72	RJIC-G32184	SEAL KIT	5.000	2.500	45.36
RJIC-G105556	SEAL KIT	4.000	2.250	43.81	RJIC-G32228	SEAL KIT	3.500	1.750	34.32
RJIC-G105557	SEAL KIT	4.500	2.250	56.42	RJIC-G32293	SEAL KIT	3.400	2.000	34.76
RJIC-G105560	SEAL KIT	4.250	2.500	42.10	RJIC-G32294	SEAL KIT	2.500	1.500	26.62
RJIC-G105561	SEAL KIT	4.000	2.250	38.45	RJIC-G32295	SEAL KIT	2.500	1.250	32.13
RJIC-G105562	SEAL KIT	5.000	2.750	63.19	RJIC-G32299	SEAL KIT	4.000	2.000	38.45
RJIC-G105563	SEAL KIT	3.500	2.500	42.45	RJIC-G32616	SEAL KIT	4.000	2.000	35.50
RJIC-G105566	SEAL KIT	5.500	2.750	90.31	RJIC-G32617	SEAL KIT	4.000	1.750	36.98
RJIC-G109417	SEAL KIT	3.250	1.750	38.76	RJIC-G32668	SEAL KIT	5.000	3.000	52.43
RJIC-G109418	SEAL KIT	3.000	1.500	25.42	RJIC-G32695	SEAL KIT	4.500	2.000	51.78
RJIC-G109421	SEAL KIT	4.000	2.000	29.67	RJIC-G32696	SEAL KIT	5.000	2.250	49.55
RJIC-G109423	SEAL KIT	4.000	2.000	42.89	RJIC-G32827	USE RJIC-G105505			23.88
RJIC-G109424	SEAL KIT	4.000	2.500	44.30	RJIC-G33141	USE RJIC-G105507			17.00
RJIC-G109452	SEAL KIT	3.000	1.500	25.59	RJIC-G33151	SEAL KIT	3.000	N/A	14.67
RJIC-G109453	SEAL KIT	3.500	2.000	37.94	RJIC-G33181	REPLACEMENT PART	4.000	N/A	9.25
RJIC-G109454	SEAL KIT	3.500	2.000	28.17	RJIC-G33186	VEE SET	3.250		9.93
RJIC-G109456	SEAL KIT	2.500	1.500	25.29	RJIC-G33193	SEAL KIT	2.500	N/A	14.31
RJIC-G109458	SEAL KIT	2.500	1.500	20.23	RJIC-G33201	VEE SET	2.000		17.67
RJIC-G109460	SEAL KIT	3.000	1.750	27.82	RJIC-G33237	SEAL KIT	3.500	N/A	16.25
RJIC-G109462	SEAL KIT	3.000	1.750	29.35	RJIC-G33239	SEAL KIT	4.000	N/A	17.72
RJIC-G109465	SEAL KIT	3.250	2.000	40.19	RJIC-G33823	SEAL KIT	5.500	2.500	47.01
RJIC-G109470	SEAL KIT	3.500	1.750	33.24	RJIC-G34172	USE RJIC-G105507			17.53
RJIC-G109471	SEAL KIT	3.500	1.750	36.98	RJIC-G34205	USE RJIC-G105510			17.53
RJIC-G109472	SEAL KIT	3.500	1.500	34.96	RJIC-G34277	USE RJIC-G109458			16.19
RJIC-G109475	SEAL KIT	2.500	1.250	28.67	RJIC-G34332	USE RJIC-G105512			29.44
RJIC-G109476	SEAL KIT	2.500	1.250	27.56	RJIC-G34333	USE RJIC-G105513			64.63
RJIC-G109484	SEAL KIT	2.500	1.500	30.94	RJIC-G34334	SEAL KIT	5.000	3.000	58.96
RJIC-G109498	SEAL KIT	4.500	2.500	59.72	RJIC-G34335	SEAL KIT	4.000	2.000	36.24
RJIC-G109499	SEAL KIT	5.000	2.500	69.85	RJIC-G34536	USE RJIC-G105514			51.03

All manufacturer's names, part numbers and descriptions are used for reference purposes only. We do not imply that any part shown is the product of these manufacturers.

INDUSTRIAL SEAL KITS

MOBILE SEAL KITS

J.I. CASE

J.I. CASE

KIT LISTING

Ref. Number	Desc.	Bore	Rod	\$	Ref. Number	Desc.	Bore	Rod	\$
RJIC-G34537	USE RJIC-G105515			48.32	RJIC-LZ00446	SEAL KIT	135.00	95.00	99.88
RJIC-G34569	USE RJIC-G105516			36.66	RJIC-LZ00447	SEAL KIT	115.00	80.00	80.14
RJIC-G34594	SEAL KIT	4.000	2.000	33.44	RJIC-LZ00448	SEAL KIT	105.00	70.00	103.12
RJIC-G34622	SEAL KIT	3.500	1.750	38.45	RJIC-LZ00449	SEAL KIT	115.00	80.00	93.82
RJIC-G34624	SEAL KIT	3.500	1.750	36.98	RJIC-LZ00450	SEAL KIT	95.00	65.00	67.10
RJIC-G34626	SEAL KIT	4.000	1.750	39.94	RJIC-LZ00451	SEAL KIT	115.00	80.00	97.48
RJIC-G34628	USE RJIC-G105520			50.18	RJIC-LZ00452	SEAL KIT	125.00	90.00	159.87
RJIC-G34630	USE RJIC-G105521			33.73	RJIC-LZ00453	SEAL KIT	105.00	75.00	97.45
RJIC-G34631	SEAL KIT	3.500	1.750	36.98	RJIC-LZ00455	SEAL KIT	105.00	75.00	121.08
RJIC-G34634	USE RJIC-G105523			33.73	RJIC-LZ00456	SEAL KIT	120.00	65.00	59.92
RJIC-G34636	SEAL KIT	4.000	2.250	44.38	RJIC-LZ00457	SEAL KIT	110.00	70.00	63.33
RJIC-G34642	USE RJIC-G105524			33.73	RJIC-LZ00482	SEAL KIT	150.00	105.00	109.39
RJIC-G34643	SEAL KIT	3.000	1.750	34.02	RJIC-LZ00483	SEAL KIT	145.00	100.00	97.54
RJIC-G34644	USE RJIC-G105525			45.87	RJIC-LZ00522	SEAL KIT	95.00	70.00	211.10
RJIC-G34646	SEAL KIT	3.500	1.500	33.28	RJIC-LZ00533	SEAL KIT	130.00	90.00	253.49
RJIC-G34647	USE RJIC-G105526			37.10	RJIC-LZ00539	SEAL KIT	100.00	75.00	143.72
RJIC-G34648	SEAL KIT	3.500	2.000	39.20	RJIC-N14638	SEAL KIT	2.000	1.000	29.31
RJIC-G34651	USE RJIC-G105527			33.73	RJIC-N14639	SEAL KIT	2.000	1.250	35.95
RJIC-G34652	SEAL KIT	3.500	1.500	33.84	RJIC-S300163	SEAL KIT	4.000	2.000	20.01
RJIC-G34653	USE RJIC-G105528			26.69	RJIC-S301013	SEAL KIT	5.000	2.500	47.63
RJIC-G34655	SEAL KIT	3.500	1.750	34.76	RJIC-S301442	SEAL KIT	4.000	2.000	30.35
RJIC-G34656	SEAL KIT	3.000	1.500	31.06	RJIC-S92713	SEAL KIT	5.000	2.500	44.19
RJIC-G34752	USE RJIC-G105530			57.34	RJIC-S92714	SEAL KIT	5.500	2.500	47.15
RJIC-G34753	USE RJIC-G105531			55.31	RJIC-S92724	SEAL KIT	5.500	2.750	62.62
RJIC-G34807	SEAL KIT	2.500	1.000	14.23					
RJIC-G34819	SEAL KIT	2.250	1.250	20.42					
RJIC-G34827	SEAL KIT	4.000	2.250	44.38					
RJIC-G35374	SEAL KIT	3.000	1.000	21.68					
RJIC-G35378	SEAL KIT	2.500	1.000	13.73					
RJIC-H52704	SEAL KIT	2.000	1.000	13.88					
RJIC-H53041	SEAL KIT	N/A	3.750	18.86					
RJIC-LQU0245	SEAL KIT	100.00	70.00	111.90					
RJIC-LZ0043	SEAL KIT	145.00	105.00	106.39					
RJIC-LZ00442	SEAL KIT	125.00	90.00	134.53					
RJIC-LZ00443	SEAL KIT	145.00	105.00	119.69					
RJIC-LZ00444	SEAL KIT	130.00	90.00	129.66					
RJIC-LZ00445	SEAL KIT	120.00	85.00	116.06					

INDUSTRIAL SEAL KITS

MOBILE SEAL KITS

J.I. CASE

All manufacturer's names, part numbers and descriptions are used for reference purposes only. We do not imply that any part shown is the product of these manufacturers.

Remsa [KITS]

INDUSTRIAL
SEAL KITS

MOBILE
SEAL KITS



All manufacturer's names, part numbers and descriptions are used for reference purposes only. We do not imply that any part shown is the product of these manufacturers.











JOHN DEERE

INDEX FOR SEAL KITS

INDUSTRIAL
SEAL KITS

MOBILE
SEAL KITS

JOHN DEERE

	BULLDOZER/CRAWLER LOADER							KITS 444
	350	355D	450D	450G	550B	555B	655B	
	350B	450	450E	455G	550G	555G	850	
	350C	450B	455D	550	555	650G	850B	
	350D	450C	455E	550A	555A	655		
	WHEEL LOADER						KITS 453	
	300	400	401A					
	LOADER BACKHOE							KITS 454
	300B	310B	401D	410D	500C	510D	710B	
	302	310C	410	415B	510	515B	710C	
	310	310D	410B	500A	510B	610B	710D	
	310A	401C	410C	500B	510C	610C		
	ARTICULATED LOADER							KITS 465
	344E	444D	544B	544E LL	544HLL	644A	644E 844	
	444	444E	544C	544E TC	624E	644B	644ER TC54H	
	444C	544	544D	544G	624G	644C	644G	
	444CH	544A	544E	544H	644	644D	744E	
	GRADER						KITS 470	
	570	570B	670A	672A	770	770B	772B	
	570A	670	670B	672B	770A	772A		
	SCRAPER						KITS 471	
	760	762	762B	860A	862	5010		
	760A	762A	860	860B	862B			
	COMPACTOR						KITS 472	
	646	646B	646C					
	CRAWLER EXCAVATOR							KITS 472
	70	160 LC	330 LC	495D	690C	790D	792D LC 992E	
	70D	190E	370	590D	690 CH	790E	892D LC 992E LC	
	80	200 LC	450LC	690	690B	790E LC	892E LC	
	110	230 LC	490D	690A	690E LC	792	992D	
	120	290D	490E	690B	790	792D	992D LC	
	FELLER-BUNCHER						KITS 479	
	493D	653E	693B	693C	693D	743 743A 793D		
	SKIDDER						KITS 480	
	340D	440B	448	540D	640D	740A		
	440	440C	540A	548D	648	3605		
	440A	440D	540B	640	740			
JOHN DEERE KIT LISTING							KITS 483	

All manufacturer's names, part numbers and descriptions are used for reference purposes only. We do not imply that any part shown is the product of these manufacturers.

BULLDOZER/CRAWLER LOADERS

JOHN DEERE

Model	Application	Serial Number	Cylinder Group	Arrangement	Bore	Rod	I	Ref. Number RJD-	\$
							M		
350, 350B	BACKHOE BOOM	PRIOR-8249		9250	4.000	2.000	I	AR105387	38.06
		8250-UP		9250, 9550	4.000	2.000	I	RE18732	39.25
		PRIOR-700717		9300	4.500	2.250	I	AR105355	60.41
		700718-UP		9300	4.500	2.250	I	RE18764	96.62
		ALL		93, 93A, 95, 95A	4.500	2.250	I	RE10640	45.25
	BACKHOE BUCKET	ALL		9250, 9550	3.000	1.750	I	RE18751	31.00
		PRIOR-700717		93, 93A, 95, 95A, 9300	3.500	2.250	I	RE18757	44.42
	BACKHOE CROWD	700718-UP		9300	3.500	2.250	I	RE18758	84.67
		ALL		9250, 9550	3.500	1.750	I	RE18755	33.25
	BACKHOE STABILIZER	PRIOR-700717		93, 93A, 95,	4.000	2.000	I	AR105387	38.06
700718-UP			95A, 9300	4.000	2.000	I	RE18741	82.78	
BACKHOE SWING	ALL		9300	4.000	2.000	I	RE18754	41.24	
			93, 93A,	3.500	1.750	I	RE18754	41.24	
	700718-UP		9250, 9550	4.000	2.000	I	AR105387	38.06	
	ALL		9300 ONLY	4.000	2.000	I	AR105387	38.06	
			95, 95A	3.000	1.750	I	RE18751	31.00	
DOZER LIFT	PRIOR-8249		9250	4.000	2.000	I	AR105393	48.10	
	8250-UP		9250	4.000	2.000	I	RE18732	39.25	
	PRIOR-39796		9550	3.500	1.750	I	RE18756	41.04	
DOZER TILT	39797-UP		9550	3.500	1.750	I	RE18756	41.04	
	YR. 1968-UP			3.000	1.250	I	AR105454	32.41	
DOZER ANGLE	59100-UP		6305	2.500	1.250	I	AR105453	30.19	
	YR. 1968-UP		6305 ONLY	3.000	1.250	I	AR105454	32.41	
GRAPPLE	59100-UP			2.500	1.500	I	RE19217	25.50	
LOADER BOOM LIFT	ALL		350	4.000	2.000	I	AR105387	38.06	
			350B	3.750	2.000	I	AR105381	36.76	
LOADER BUCKET TILT	ALL		350	2.750	1.500	I	AR105430	28.25	
			350B	2.750	1.500	I	RE19222	30.32	
MULTI-PURPOSE RIPPER	ALL			3.000	1.750	I	RE18751	31.00	
	59100-UP			2.500	1.250	I	AR105453	30.19	
	ALL			2.500	1.250	I	AR105453	30.19	
350C	BACKHOE BOOM	ALL		93, 93A	4.500	2.250	I	RE10640	45.25
				9250, 9550	4.000	2.000	I	RE18732	39.25
	BACKHOE BUCKET	PRIOR-700422		9300	4.500	2.250	I	AR105355	60.41
		700423-UP		9300	4.500	2.250	I	RE18764	96.62
	BACKHOE CROWD	ALL		9250, 9550	3.000	1.750	I	RE18751	31.00
		PRIOR-700422		93, 93A, 9300	3.500	2.250	I	RE18757	44.42
	BACKHOE STABILIZER	700423-UP		9300	3.500	2.250	I	RE18758	84.67
		ALL		9250, 9550	3.500	1.750	I	RE18755	33.25
	BACKHOE STABILIZER	PRIOR-700422		93, 93A, 9300	4.000	2.000	I	AR105387	38.06
		700423-UP		9300	4.000	2.000	I	RE18741	82.78
BACKHOE STABILIZER	ALL		93, 93A,	3.500	1.750	I	RE18754	41.24	
			9250, 9550	4.000	2.000	I	AR105387	38.06	

All manufacturer's names, part numbers and descriptions are used for reference purposes only. We do not imply that any part shown is the product of these manufacturers.

INDUSTRIAL SEAL KITS

MOBILE SEAL KITS

JOHN DEERE

JOHN DEERE

BULLDOZER/CRAWLER LOADERS

INDUSTRIAL
SEAL KITS

MOBILE
SEAL KITS

JOHN DEERE

Model	Application	Serial Number	Cylinder Group	Arrangement	Bore	Rod	I	Ref. Number RJD-	\$
							M		
	BACKHOE SWING	ALL		9250	4.000	2.000	I	RE18732	39.25
		PRIOR-39796		9550	3.500	1.750	I	RE18756	41.04
		with T60873 piston							
		39797-UP			3.500	1.750	I	RE18756	41.04
	DOZER LIFT	ALL			3.000	1.250	I	AR105454	32.41
	DOZER TILT	ALL		6305	2.500	1.250	I	AR105453	30.19
	DOZER ANGLE	ALL		6305	3.000	1.250	I	AR105454	32.41
	GRAPPLE	ALL			2.500	1.500	I	RE19217	25.50
	LOADER BOOM LIFT	ALL			3.750	2.000	I	AR105381	36.76
	LOADER BUCKET TILT	ALL			2.750	1.500	I	RE19222	30.32
MULTI-PURPOSE	ALL			3.000	1.750	I	RE18751	31.00	
RIPPER	ALL			2.500	1.250	I	AR105453	30.19	
350D, 355D	3 POINT HITCH	ALL			2.500	1.250	I	AR105453	30.19
	BACKHOE BOOM	PRIOR-700717		9300	4.500	2.250	I	AR105355	60.41
		700718-UP		9300	4.500	2.250	I	RE18764	96.62
		ALL		9550	4.000	2.000	I	RE18732	39.25
	BACKHOE BUCKET	PRIOR-700717		9300	3.500	2.250	I	RE18757	44.42
		700718-UP		9300	3.500	2.250	I	RE18758	84.67
		ALL		9550	3.000	1.750	I	RE18751	31.00
	BACKHOE CROWD	PRIOR-700717		9300	4.000	2.000	I	AR105387	38.06
		700718-UP		9300	4.000	2.000	I	RE18741	82.78
		ALL		9550	3.500	1.750	I	RE18755	33.25
BACKHOE STABILIZER	ALL		9300	4.000	2.000	I	AR105387	38.06	
450, 450B	BACKHOE SWING	ALL		9550	3.500	1.750	I	RE18754	41.24
		ALL		9550	3.500	1.750	I	RE18756	41.04
	DOZER LIFT	ALL			3.000	1.250	I	AR105454	32.41
	DOZER TILT	ALL			2.500	1.250	I	AR105453	30.19
	DOZER ANGLE	ALL		6305	3.000	1.250	I	AR105454	32.41
	LOADER BOOM LIFT	ALL			3.750	2.000	I	AR105381	36.76
	LOADER BUCKET TILT	ALL			2.750	1.500	I	RE19222	30.32
	MULTI-PURPOSE	ALL			3.000	1.750	I	RE18751	31.00
	3 POINT HITCH	ALL			2.500	1.250	I	AR105453	30.19
	BACKHOE BOOM	ALL		93, 93A, 95, 95A	4.500	2.250	I	RE10640	45.25
		PRIOR-8249		9250	4.000	2.000	I	AR105387	38.06
		8250-UP		9250, 9550	4.000	2.000	I	RE18732	39.25
		PRIOR-700717		9300	4.500	2.250	I	AR105355	60.41
		700718-UP		9300	4.500	2.250	I	RE18764	96.62
	BACKHOE BUCKET	ALL		9250, 9550	3.000	1.750	I	RE18751	31.00
		PRIOR-700717		93, 93A, 95, 95A, 9300	3.500	2.250	I	RE18757	44.42
		700718-UP		9300	3.500	2.250	I	RE18758	84.67
	BACKHOE CROWD	ALL		9250, 9550	3.500	1.750	I	RE18755	33.25
		PRIOR-700717		93, 93A, 95, 95A, 9300	4.000	2.000	I	AR105387	38.06
		700718-UP		9300	4.000	2.000	I	RE18741	82.78

All manufacturer's names, part numbers and descriptions are used for reference purposes only. We do not imply that any part shown is the product of these manufacturers.

BULLDOZER/CRAWLER LOADERS

JOHN DEERE

Model	Application	Serial Number	Cylinder Group	Arrangement	Bore	Rod	I	Ref. Number RJD-	\$			
							M					
	BACKHOE STABILIZER	ALL		93, 93A, 9250, 9550	3.500	1.750	I	RE18754	41.24			
				95, 95A	3.000	1.750	I	RE18751	31.00			
				9300	4.000	2.000	I	AR105387	38.06			
	BACKHOE SWING	PRIOR-8249 8250-UP		9250	4.000	2.000	I	AR105393	48.10			
				9250	4.000	2.000	I	RE18732	39.25			
				9550	3.500	1.750	I	RE18756	41.04			
	DOZER LIFT DOZER TILT	PRIOR-39796 WITH T60873 PISTON 39797-UP		9550	3.500	1.750	I	RE18756	41.04			
				ALL	3.500	1.500	I	AR105432	32.25			
				all with vee set on piston	6405	3.500	1.500	I	AR105432	32.25		
	DOZER TILT	all with 4 piece piston seal		6415	4.500	2.250	I	AR105355	60.41			
6415				4.500		I	RE14094	69.40				
6415					2.250	I	RE14208	32.09				
6405				3.500	1.500	I	AR105432	32.25				
GRAPPLE				ALL		3.500	1.750	I	RE18754	41.24		
GRAPPLE CLAMP				ALL		5.250	2.250	I	AR105346	51.18		
MULTI-PURPOSE				ALL		4.000	2.000	I	AR105387	38.06		
LOADER BOOM LIFT				ALL		450	4.500	2.250	I	RE10640	45.25	
LOADER BUCKET TILT				ALL		450B	4.250	2.250	I	RE18739	48.91	
LOADER BUCKET TILT				ALL		450	3.500	2.000	I	AR105392	33.32	
LOADER BUCKET TILT	ALL		450B	3.500	2.000	I	AR18748					
RIPPER	59100-UP			2.500	1.250	I	AR105453	30.19				
450C	BACKHOE BOOM	ALL		93, 93A, 95, 95A	4.500	2.250	I	RE10640	45.25			
				9250, 9550	4.000	2.000	I	RE18732	39.25			
				PRIOR-700385	9300	4.500	2.250	I	AR105355	60.41		
				700386-UP	9300	4.500	2.250	I	RE18764	96.62		
	BACKHOE BUCKET	ALL	PRIOR-700385		9250, 9550	3.000	1.750	I	RE18751	31.00		
					93, 93A, 95, 95A, 9300	3.500	2.250	I	RE18757	44.42		
	BACKHOE CROWD	700386-UP	ALL	PRIOR-700385	9300	3.500	2.250	I	RE18758	84.67		
					9250, 9550	3.500	1.750	I	RE18755	33.25		
					93, 93A, 95, 95A, 9300	4.000	2.000	I	AR105387	38.06		
BACKHOE STABILIZER	700386-UP ALL			95A, 9300								
				9300	4.000	2.000	I	RE18741	82.78			
				93, 93A, 9250, 9550	3.500	1.750	I	RE18754	41.24			
				95, 95A	3.000	1.750	I	RE18751	31.00			
				9300	4.000	2.000	I	AR105387	38.06			
				BACKHOE SWING	ALL		9250	4.000	2.000	I	RE18732	39.25
				BACKHOE SWING	PRIOR-39796 with T60873 piston		9550	3.500	1.750	I	RE18756	41.04
				DOZER LIFT	39797-UP		9550	3.500	1.750	I	RE18756	41.04
				DOZER LIFT	ALL			3.500	1.500	I	AR105432	32.25
				DOZER TILT	ALL		6405	3.500	1.500	I	AR105432	32.25

All manufacturer's names, part numbers and descriptions are used for reference purposes only. We do not imply that any part shown is the product of these manufacturers.

INDUSTRIAL SEAL KITS

MOBILE SEAL KITS

JOHN DEERE

JOHN DEERE

BULLDOZER/CRAWLER LOADERS

INDUSTRIAL
SEAL KITS

MOBILE
SEAL KITS

JOHN DEERE

Model	Application	Serial Number	Cylinder Group	Arrangement	Bore	Rod	I	Ref. Number RJD-	\$	
							M			
	DOZER ANGLE GRAPPLE GRAPPLE CLAMP LOADER BOOM LIFT LOADER BUCKET TILT MULTI-PURPOSE RIPPER	field replacement		6415	4.500	2.250	I	AR105355	60.41	
		check piston style		6415	4.500		I	RE14094	69.40	
		ALL		6415		2.250	I	RE14208	32.09	
		ALL		6405	3.500	1.500	I	AR105432	32.25	
		ALL				3.500	1.750	I	RE18754	41.24
		ALL				5.250	2.250	I	AR105346	51.18
		ALL				4.250	2.250	I	RE18739	48.91
		PRIOR-205020				3.500	2.000	I	RE18748	39.74
		205021-UP				3.500	1.750	I	RE18754	41.24
		ALL				4.000	2.000	I	AR105387	38.06
ALL				2.500	1.250	I	AR105453	30.19		
450D, 450E, 455D, 455E	BACKHOE BOOM	PRIOR-700717		9300	4.500	2.250	I	AR105355	60.41	
		700718-UP		9300	4.500	2.250	I	RE18764	96.62	
		ALL		9550	4.000	2.000	I	RE18732	39.25	
	BACKHOE BUCKET	PRIOR-700717		9300	3.500	2.250	I	RE18757	44.42	
		700718-UP		9300	3.500	2.250	I	RE18758	84.67	
		ALL		9550	3.000	1.750	I	RE18751	31.00	
	BACKHOE CROWD	PRIOR-700717		9300	4.000	2.000	I	AR105387	38.06	
		700718-UP		9300	4.000	2.000	I	RE18741	82.78	
		ALL		9550	3.500	1.750	I	RE18755	33.25	
	BACKHOE STABILIZER	ALL		9300	4.000	2.000	I	AR105387	38.06	
ALL			9550	3.500	1.750	I	RE18754	41.24		
ALL			9550	3.500	1.750	I	RE18756	41.04		
	DOZER ANGLE DOZER LIFT DOZER TILT GRAPPLE CLAMP LOADER BOOM LIFT LOADER BUCKET TILT MULTI-PURPOSE	ALL		6405	3.500	1.500	I	AR105432	32.25	
		ALL			3.500	1.500	I	AR105432	32.25	
		ALL			3.500	1.500	I	AR105432	32.25	
		ALL			3.500	1.500	I	AR105432	32.25	
		PRIOR-712333		6415	4.500	2.250	I	AR105355	60.41	
		712334-UP		6415	4.500		I	RE14094	69.40	
				6415		2.250	I	RE14208	32.09	
		ALL				5.250	2.250	I	AR105346	51.18
		ALL				4.250	2.250	I	RE18739	48.91
		ALL				3.500	1.750	I	RE18754	41.24
ALL				4.000	2.000	I	AR105387	38.06		
450G Bulldozer	DOZER ANGLE	PRIOR-822210	AH137775		70.00		M	RE20428	35.89	
					40.00		M	RE20433	48.41	
		PRIOR-846913	AH149949		70.00		M	RE20428	35.89	
					40.00		M	AH149194	41.99	
		ALL	AH161764		70.00		M	RE37004	8.92	
					40.00		M	AH149194	41.99	
	DOZER ANGLE (WT)	PRIOR-822211	AH137776		80.00		M	AH149842	56.91	
					45.00		M	RE20434	48.70	
		PRIOR-846912	AH149950		80.00		M	AH149842	56.91	
					45.00		M	AH149813	50.32	
	846913-UP	AH161770		80.00		M	RE37003	12.72		
				45.00		M	AH149813	50.32		

All manufacturer's names, part numbers and descriptions are used for reference purposes only. We do not imply that any part shown is the product of these manufacturers.

BULLDOZER/CRAWLER LOADERS

JOHN DEERE

Model	Application	Serial Number	Cylinder Group	Arrangement	Bore	Rod	I	Ref. Number RJD-	\$
							M		
455G	DOZER LIFT	PRIOR-790250	AH150067		80.00		M	AH149842	56.91
					40.00	M	RE20433	48.41	
		PRIOR-846999	AH150067		80.00	M	AH149842	56.91	
					40.00	M	AH149194	41.99	
		PRIOR-822042	RE28350		80.00	M	AH149842	56.91	
				40.00	M	RE20433	48.41		
			846843-UP	AH161762		80.00	M	RE37003	12.72
		DOZER LIFT (WT & LPG)	PRIOR-846842	AH150066		80.00	M	AH149194	41.99
					40.00	M	AH149842	56.91	
			790251-822042	AH143026		80.00	M	AH149194	41.99
				40.00	M	AH149842	56.91		
					40.00	M	RE20433	48.41	
455G	RIPPER TILT	847000-UP	AH161767		80.00		M	RE37003	12.72
					40.00	M	AH149194	41.99	
		59100-UP	AU41772		2.500	1.250	I	AR105453	30.19
		PRIOR-822042	RE35814		90.00		M	AH149843	56.46
					45.00	M	RE20434	48.70	
			PRIOR-846913	AH151379		90.00	M	AH149843	56.46
						45.00	M	AH149813	50.32
			ALL	AH161772		90.00	M	AH134955	11.85
						45.00	M	AH149813	50.32
		BUCKET CLAM	PRIOR-822210	RE25702		100.00		M	AH149844
				50.00	M	RE20595	43.03		
455G	LOADER BOOM	ALL	AH148714		100.00		M	AH149844	71.26
					50.00	M	AH148164	36.28	
		PRIOR-823917	AH134483		100.00	M	AH149844	71.26	
		PRIOR-760572			50.00	M	RE20595	43.03	
		760573-823917			56.00	M	RE31716	58.95	
	ALL	AH150117		100.00	M	AH149844	71.26		
						56.00	M	AH149814	45.93
455G	LOADER BUCKET	PRIOR-802210	RE28353		90.00		M	AH149843	56.46
					50.00	M	RE20595	43.03	
		ALL	AH148736		90.00	M	AH149843	56.46	
						50.00	M	AH148164	36.28
	MULTI-PURPOSE	PRIOR-802210	RE28353		90.00	M	AH149843	56.46	
550	RIPPER	ALL	AH148736		90.00		M	RE20595	43.03
						M	AH149843	56.46	
		59100-UP	AU41772		2.500	1.250	I	AR105453	30.19
	BACKHOE BOOM	PRIOR-700717		9300	4.500	2.250	I	AR105355	60.41
		700718-UP		9300	4.500	2.250	I	RE18764	96.62
	BACKHOE BUCKET	ALL		9550	4.000	2.000	I	RE18732	39.25
		PRIOR-700717		9300	3.500	2.250	I	RE18757	44.42
		700718-UP		9300	3.500	2.250	I	RE18758	84.67
ALL			9550	3.000	1.750	I	RE18751	31.00	
	BACKHOE CROWD	PRIOR-700717		9300	4.000	2.000	I	AR105387	38.06

All manufacturer's names, part numbers and descriptions are used for reference purposes only. We do not imply that any part shown is the product of these manufacturers.

INDUSTRIAL SEAL KITS

MOBILE SEAL KITS

JOHN DEERE

JOHN DEERE

BULLDOZER/CRAWLER LOADERS

INDUSTRIAL
SEAL KITS

MOBILE
SEAL KITS

JOHN DEERE

Model	Application	Serial Number	Cylinder Group	Arrangement	Bore	Rod	I	Ref. Number RJD-	\$	
							M			
	BACKHOE STABILIZER	700718-UP		9300	4.000	2.000	I	RE18741	82.78	
		ALL		9550	3.500	1.750	I	RE18755	33.25	
		ALL		9300	4.000	2.000	I	AR105387	38.06	
				9550	3.500	1.750	I	RE18754	41.24	
	BACKHOE SWING	PRIOR-39796		9550	3.500	1.750	I	RE18756	41.04	
		with T60873 piston								
			39797-UP		9550	3.500	1.750	I	RE18756	41.04
	DOZER ANGLE	ALL		6405	3.500	1.500	I	AR105432	32.25	
	DOZER LIFT	ALL			3.500	1.500	I	AR105432	32.25	
	DOZER TILT	ALL		6405	3.500	1.500	I	AR105432	32.25	
ALL			6415	4.500	2.250	I	AR105355	60.41		
		field replacement		6415	4.500		I	RE14094	69.40	
		check piston syle		6415		2.250	I	RE14208	32.09	
550A, 550B	RIPPER	ALL			2.500	1.250	I	AR105453	30.19	
	BACKHOE BOOM	PRIOR-700717		9300	4.500	2.250	I	AR105355	60.41	
		700718-UP		9300	4.500	2.250	I	RE18764	96.62	
		ALL		9550	4.000	2.000	I	RE18732	39.25	
	BACKHOE BUCKET	PRIOR-700717		9300	3.500	2.250	I	RE18757	44.42	
		700718-UP		9300	3.500	2.250	I	RE18758	84.67	
		ALL		9550	3.000	1.750	I	RE18751	31.00	
	BACKHOE CROWD	PRIOR-700717		9300	4.000	2.000	I	AR105387	38.06	
		700718-UP		9300	4.000	2.000	I	RE18741	82.78	
			ALL		9550	3.500	1.750	I	RE18755	33.25
BACKHOE STABILIZER	ALL		9300	4.000	2.000	I	AR105387	38.06		
			9550	3.500	1.750	I	RE18754	41.24		
BACKHOE SWING	ALL		9550	3.500	1.750	I	RE18756	41.04		
	DOZER ANGLE	ALL		6405	3.500	1.500	I	AR105432	32.25	
DOZER LIFT	ALL			3.500	1.500	I	AR105432	32.25		
DOZER TILT	ALL		6405	3.500	1.500	I	AR105432	32.25		
		PRIOR-712333		6415	4.500	2.250	I	AR105355	60.41	
		712334-UP		6415	4.500		I	RE14094	69.40	
				6415		2.250	I	RE14208	32.09	
550G	DOZER ANGLE	PRIOR-822211	AH137776		80.00		M	AH149842	56.91	
						45.00	M	RE20434	48.70	
		PRIOR-846912	AH149950		80.00		M	AH149842	56.91	
		846913-UP	AH161770		80.00		M	AH149813	50.32	
					80.00		M	RE37003	12.72	
	DOZER LIFT	PRIOR-790250	AH150067		80.00		M	AH149813	50.32	
					80.00		M	AH149842	56.91	
			PRIOR-846999	AH150067		80.00		M	RE20433	48.41
					80.00		M	AH149842	56.91	
			846843-UP	AH161762		80.00		M	AH149194	41.99
				80.00		M	RE37003	12.72		
		PRIOR-846842	AH150066		80.00		M	AH149194	41.99	
				80.00		M	AH149842	56.91		

All manufacturer's names, part numbers and descriptions are used for reference purposes only. We do not imply that any part shown is the product of these manufacturers.

BULLDOZER/CRAWLER LOADERS

JOHN DEERE

Model	Application	Serial Number	Cylinder Group	Arrangement	Bore	Rod	I	Ref. Number RJD-	\$
							M		
		790251-822042	AH143026		80.00	40.00	M	AH149194	41.99
							M	AH149842	56.91
		847000-UP	AH161767		80.00	40.00	M	RE20433	48.41
							M	RE37003	12.72
	TILT					40.00	M	AH149194	41.99
		PRIOR-822042	RE35814		90.00		M	AH149843	56.46
						45.00	M	RE20434	48.70
		PRIOR-846913	AH151379		90.00		M	AH149843	56.46
						45.00	M	AH149813	50.32
		ALL	AH161772		90.00		M	AH134955	11.85
						45.00	M	AH149813	50.32
555	BACKHOE BOOM	PRIOR-700717		9300	4.500	2.250	I	AR105355	60.41
		700718-UP		9300	4.500	2.250	I	RE18764	96.62
	BACKHOE BUCKET	PRIOR-700717		9300	3.500	2.250	I	RE18757	44.42
		700718-UP		9300	3.500	2.250	I	RE18758	84.67
	BACKHOE CROWD	PRIOR-700717		9300	4.000	2.000	I	AR105387	38.06
		700718-UP		9300	4.000	2.000	I	RE18741	82.78
	BACKHOE STABILIZER	ALL			4.000	2.000	I	AR105387	38.06
	GRAPPLE	ALL			3.500	1.750	I	RE18754	41.24
	GRAPPLE CLAMP	ALL			5.250	2.250	I	AR105346	51.18
	LOADER BOOM LIFT	PRIOR-294037			4.250	2.250	I	AH139418	43.47
		294038-UP			4.250	2.250	I	RE18739	48.91
	LOADER BUCKET TILT	ALL			3.500	1.750	I	RE18754	41.24
	MULTI-PURPOSE	ALL			4.000	2.000	I	AR105387	38.06
	RIPPER	ALL			2.500	1.250	I	AR105453	30.19
555A, 555B	BACKHOE BOOM	PRIOR-700717		9300	4.500	2.250	I	AR105355	60.41
		700718-UP		9300	4.500	2.250	I	RE18764	96.62
	BACKHOE BUCKET	PRIOR-700717		9300	3.500	2.250	I	RE18757	44.42
		700718-UP		9300	3.500	2.250	I	RE18758	84.67
	BACKHOE CROWD	PRIOR-700717		9300	4.000	2.000	I	AR105387	38.06
		700718-UP		9300	4.000	2.000	I	RE18741	82.78
	BACKHOE STABILIZER	ALL			4.000	2.000	I	AR105387	38.06
	GRAPPLE CLAMP	ALL			5.250	2.250	I	AR105346	51.18
	LOADER BOOM LIFT	ALL			4.250	2.250	I	RE18739	48.91
	LOADER BUCKET TILT	ALL			3.500	1.750	I	RE18754	41.24
	MULTI-PURPOSE	ALL			4.000	2.000	I	AR105387	38.06

All manufacturer's names, part numbers and descriptions are used for reference purposes only. We do not imply that any part shown is the product of these manufacturers.

INDUSTRIAL SEAL KITS

MOBILE SEAL KITS

JOHN DEERE

JOHN DEERE

BULLDOZER/CRAWLER LOADERS

INDUSTRIAL
SEAL KITS

MOBILE
SEAL KITS

JOHN DEERE

Model	Application	Serial Number	Cylinder Group	Arrangement	Bore	Rod	I	Ref. Number RJD-	\$	
							M			
555G	BUCKET CLAM	PRIOR-822210	RE25702		100.00		M	AH149844	71.26	
		ALL	AH148714		100.00	50.00	M	RE20595	43.03	
	LOADER BOOM	PRIOR-823917	RE26632		115.00	50.00	M	AH148164	36.28	
		ALL	AH150111		115.00	63.00	M	AH149846	100.48	
	LOADER BUCKET	PRIOR-818179	RE26633		100.00	63.00	M	AH149815	50.42	
		ALL	AH148715		100.00	50.00	M	AH148164	36.28	
						50.00	M	AH149844	71.26	
						50.00	M	AH148164	36.28	
	650G	DOZER ANGLE	PRIOR-822211	AH137776		80.00		M	AH149842	56.91
			PRIOR-846912	AH149950		80.00	45.00	M	RE20434	48.70
846913-UP			AH161770		80.00	45.00	M	AH149842	56.91	
					80.00	45.00	M	AH149813	50.32	
DOZER LIFT		PRIOR-790250	AH150067		80.00	45.00	M	RE37003	12.72	
		PRIOR-846999	AH150067		80.00	45.00	M	AH149813	50.32	
		846843-UP	AH161762		80.00	40.00	M	AH149842	56.91	
					80.00	40.00	M	RE20433	48.41	
			PRIOR-846842	AH150066		80.00	40.00	M	AH149842	56.91
			790251-822042	AH143026		80.00	40.00	M	AH149194	41.99
			847000-UP	AH161767		80.00	40.00	M	AH149842	56.91
						80.00	40.00	M	RE20433	48.41
TILT		PRIOR-822042	RE35808		100.00	40.00	M	AH149194	41.99	
		ALL	AH149951		100.00	50.00	M	AH149844	71.26	
				100.00	50.00	M	RE20595	43.03		
				100.00	50.00	M	AH137687	59.67		
655	LOADER BOOM LIFT	ALL			5.500	3.750	I	RE18763	74.71	
		ALL			4.500	2.250	I	AR105355	60.41	
	LOADER BUCKET TILT	field replacement			4.500		I	RE14094	69.40	
		check piston style								
	MULTI-PURPOSE	ALL			4.000	2.250	I	RE14208	32.09	
		all with RE22315			5.500	2.000	I	AR105387	38.06	
		cylinder number					I	RE14102	104.48	
		ALL			2.500	2.500	I	RE17345	39.32	
TRACK ADJUSTER	ALL			3.750	3.000	I	905001	47.70		

All manufacturer's names, part numbers and descriptions are used for reference purposes only. We do not imply that any part shown is the product of these manufacturers.

BULLDOZER/CRAWLER LOADERS

JOHN DEERE

Model	Application	Serial Number	Cylinder Group	Arrangement	Bore	Rod	I	Ref. Number RJD-	\$	
							M			
655B	LOADER BOOM LIFT	ALL			5.500		I	RE15907	104.48	
						3.750	I	RE31528	61.86	
	LOADER BUCKET TILT	ALL			4.500		I	RE14094	69.40	
							2.250	I	RE14208	32.09
	MULTI-PURPOSE	ALL			5.500		I	RE14102	104.48	
						2.500	I	RE17345	39.32	
	TRACK ADJUSTER	ALL			3.750	3.000	I	905001	47.70	
850	DOZER LIFT	PRIOR-307525	AT52374		4.250	2.500	I	RE18731	70.12	
		ALL	AR105285		4.250	2.500	I	RE18731	70.12	
	DOZER LIFT (LGP)	ALL	RE17462		4.250		I	RE17485		
						2.500	I	AH142440	37.37	
	DOZER TILT	ALL	RE17350		5.500		I	RE17351	104.48	
						2.500	I	RE17345	39.32	
		ALL	AR105289		5.500	2.500	I	AR105275	40.33	
	DOZER TILT (LGP) (LT)	PRIOR-318357	AT52367		6.250	2.750	I	RE18744	119.50	
		PRIOR-705569	AR89587		6.250	2.750	I	RE18744	119.50	
		ALL	RE17349		6.250		I	RE14104	107.53	
						2.750	I	RE17342	53.55	
		ALL	RE16538		6.250	2.750	I	RE18744	119.50	
850B	DOZER LIFT	ALL	RE17459		4.250		I	RE17458	70.76	
						2.500	I	AH142440	37.37	
	DOZER LIFT (LT)	779602-UP	AH136158		100.00		M	AH137687	59.67	
						56.00	M	RE31716	58.95	
	DOZER LIFT (LGP) (LT)	ALL	RE17462		4.250		I	RE17458	70.76	
			RE35226			2.500	I	AH142440	37.37	
	DOZER TILT	ALL	RE17350		5.500		I	RE17351	104.48	
						2.500	I	RE17345	39.32	
		ALL	AH145297		180.00		M	AH137211	108.41	
						80.00	M	RE25152	119.66	
	DOZER TILT (STD) (LGP) (LT)	ALL	RE17349		6.250		I	RE14104	107.53	
						2.750	I	RE17342	53.55	

All manufacturer's names, part numbers and descriptions are used for reference purposes only. We do not imply that any part shown is the product of these manufacturers.

INDUSTRIAL SEAL KITS

MOBILE SEAL KITS

JOHN DEERE

JOHN DEERE

WHEEL LOADER

INDUSTRIAL SEAL KITS

MOBILE SEAL KITS

JOHN DEERE

Model	Application	Serial Number	Cylinder Group	Arrangement	Bore	Rod	I	Ref. Number RJD-	\$	
							M			
300	BACKHOE BOOM	ALL		92	3.500	1.750	I	RE18754	41.24	
		PRIOR-8249		9250	4.000	2.000	I	AR105387	38.06	
		8250-UP		9250	4.000	2.000	I	RE18732	39.25	
	BACKHOE BUCKET	ALL			3.000	1.750	I	RE18751	31.00	
		BACKHOE CROWD	ALL		92	3.500	1.750	I	RE18754	41.24
					9250	3.500	1.750	I	RE18755	33.25
	BACKHOE STABILIZER	ALL			3.500	1.750	I	RE18754	41.24	
		BACKHOE SWING	ALL		92	3.500	1.750	I	AR105412	52.66
			PRIOR-8249		9250	4.000	2.000	I	AR105393	48.10
			8250-UP		9250	4.000	2.000	I	RE18732	39.25
LOADER BOOM LIFT		YR. 1969-UP		7300	2.250	1.500	I	AR96532	20.81	
		ALL		7320	2.500	1.500	I	RE19217	25.50	
400,401A	LOADER BUCKET TILT	YR. 1967-UP		7300	2.500	1.250	I	AR105453	30.19	
		ALL		7320	2.500	1.500	I	RE19217	25.50	
	BACKHOE BOOM	ALL		92	3.500	1.750	I	RE18754	41.24	
				94, 95, 95A, 9400	4.500	2.250	I	RE10640	45.25	
BACKHOE BUCKET		PRIOR-8249		9250	4.000	2.000	I	AR105387	38.06	
		8250-UP		9250	4.000	2.000	I	RE18732	39.25	
	ALL		94, 95, 95A, 9400	3.500	2.250	I	RE18757	44.42		
BACKHOE CROWD				92, 9250	3.000	1.750	I	RE18751	31.00	
	ALL			94, 95, 95A, 9400	4.000	2.000	I	AR105387	38.06	
BACKHOE STABILIZER				92	3.500	1.750	I	RE18754	41.24	
				9250	3.500	1.750	I	RE18755	33.25	
		ALL		92, 94, 9250, 9400	3.500	1.750	I	RE18754	41.24	
				95, 95A	3.000	1.750	I	RE18751	31.00	
	BACKHOE SWING	ALL		92	3.500	1.750	I	AR105412	52.66	
BACKHOE SWING		PRIOR-8249		9250	4.000	2.000	I	AR105393	48.10	
		8250-UP		9250	4.000	2.000	I	RE18732	39.25	
	ALL			9400	4.000	1.750	I	RE18730	39.08	
LOADER BOOM LIFT		YR. 1967-S/N 4600			2.500	1.500	I	RE19217	25.50	
		4601-UP			2.750	1.750	I	RE19220	32.81	
LOADER BUCKET TILT	ALL			2.500	1.250	I	AR105453	30.19		

All manufacturer's names, part numbers and descriptions are used for reference purposes only. We do not imply that any part shown is the product of these manufacturers.

LOADER BACKHOE

JOHN DEERE

Model	Application	Serial Number	Cylinder Group	Arrangement	Bore	Rod	I	Ref. Number RJD-	\$	
							M			
300B	BACKHOE BOOM	ALL			4.000	2.000	I	RE18732	39.25	
	BACKHOE BUCKET	ALL			3.000	1.750	I	RE18751	31.00	
	BACKHOE CROWD	ALL			3.500	1.750	I	RE18755	33.25	
	BACKHOE STABILIZER	ALL			3.500	1.750	I	RE18754	41.24	
	BACKHOE SWING	ALL			9250	4.000	2.000	I	RE18732	39.25
			39797-UP		9250A	3.500	1.750	I	RE18756	41.04
	LOADER BOOM LIFT	ALL			2.750	1.750	I	RE19220	32.81	
	LOADER BUCKET TILT	ALL			2.500	1.500	I	RE19217	25.50	
302	BACKHOE BOOM	ALL			4.000	2.000	I	RE18732	39.25	
	BACKHOE BUCKET	ALL			3.000	1.750	I	RE18751	31.00	
	BACKHOE CROWD	ALL			3.500	1.750	I	RE18755	33.25	
	BACKHOE STABILIZER	ALL			3.500	1.750	I	RE18754	41.24	
	BACKHOE SWING	ALL			9250	4.000	2.000	I	RE18732	39.25
		39797-UP			9250A	3.500	1.750	I	RE18756	41.04
310	BACKHOE BOOM	ALL			4.500	2.250	I	AR105355	60.41	
	BACKHOE BUCKET	ALL			3.500	2.250	I	RE18757	44.42	
	BACKHOE CROWD	ALL			4.000	2.000	I	AR105387	38.06	
	BACKHOE STABILIZER	ALL			9405	3.500	1.750	I	RE18754	41.24
					9500	3.000	1.750	I	RE18751	31.00
		BACKHOE SWING	ALL			9405	4.000	1.750	I	RE18730
		all with field replacement cyl.			9405	4.000	2.000	I	AR105387	38.06
	LOADER BOOM LIFT	PRIOR-192003			2.750	1.750	I	AR105403	36.39	
		192004-UP			3.000	1.750	I	RE18751	31.00	
	LOADER BUCKET TILT	ALL			3.000	1.750	I	RE18751	31.00	
	STEERING	237996-U			2.000	0.875	I	RE18749	20.87	
310A, 310B	BACKHOE BOOM	PRIOR-701219			9405, 9500	4.500	2.250	I	AR105355	60.41
		701220-UP			9405	4.500	2.250	I	RE18764	96.62
	BACKHOE BUCKET	PRIOR-701219			9405, 9500	3.500	2.250	I	RE18757	44.42
		701220-UP			9405	3.500	2.250	I	RE18758	84.67
	BACKHOE CROWD	PRIOR-700422			9405, 9500	4.000	2.000	I	AR105387	38.06
		700423-UP			9405	4.000	2.000	I	RE18741	82.78
	BACKHOE STABILIZER	PRIOR-700422			9405	3.500	1.750	I	RE18754	41.24
		700423-UP			9405	3.500	1.750	I	RE12912	84.04
		ALL			9500	3.000	1.750	I	RE18751	31.00
	BACKHOE SWING	PRIOR-346261			9405	4.000	1.750	I	RE18730	39.08
		346262-700422			9405	4.000	2.000	I	AR105387	38.06
		700423-UP			9405	4.000	2.000	I	RE18741	82.78
	LOADER BOOM LIFT	PRIOR-291985			3.000	1.750	I	RE18751	31.00	
		291986-UP			3.250	1.750	I	AR105402	33.67	
	LOADER BUCKET TILT	PRIOR-291985			3.000	1.750	I	RE18751	31.00	
		291986-UP			3.250	1.500	I	AR105429	30.49	
	STEERING	ALL			2.000	0.875	I	RE18749	20.87	

All manufacturer's names, part numbers and descriptions are used for reference purposes only. We do not imply that any part shown is the product of these manufacturers.

INDUSTRIAL SEAL KITS

MOBILE SEAL KITS

JOHN DEERE

JOHN DEERE

LOADER BACKHOE

INDUSTRIAL
SEAL KITS

MOBILE
SEAL KITS

JOHN DEERE

Model	Application	Serial Number	Cylinder Group	Arrangement	Bore	Rod	I	Ref. Number RJD-	\$								
							M										
310C	BACKHOE BOOM	740893-	AH150110		115.00	56.00	M	AH149814	45.93								
			RE31721				M	AH149846	100.48								
	BACKHOE BUCKET			AH147722		115.00	56.00	M	RE31716	58.95							
								M	AH149846	100.48							
								M	AH148164	36.28							
								M	AH149843	56.46							
	BACKHOE CROWD		-729080	RE20829		90.00	50.00	M	RE20595	43.03							
								M	AH149843	56.46							
				AH138661				100.00	M	RE31716	58.95						
				AH150119					M	AH149844	71.26						
									M	AH149814	45.93						
									M	AH149844	71.26						
BACKHOE STABILIZER		-727315	AH150103		90.00	45.00	M	AH149813	50.32								
			AH150392				M	AH149843	56.46								
			RE20830				100.00	M	AH148164	36.28							
								M	AH149844	71.26							
			BACKHOE SWING				727316-761934	RE26990	REPLACEMENT		90.00	45.00	M	RE20434	48.70		
														M	AH149843	56.46	
													761935-	100.00	M	RE20595	43.03
													RE26578		M	AH149844	71.26
														M	RE20595	43.03	
														M	AH137687	59.67	
			EXTENDABLE DIPPERSTICK						AH148696		100.00	50.00	M	AH148164	36.28		
									RE20831				M	AH149844	71.26		
AH144391	100.00	M		RE20595	43.03												
		M		AH149844	71.26												
	80.00	M		RE20434	48.70												
		M		RE37003	12.72												
HYDROSTATIC STEERING LOADER BOOM	-774761	774762-	AH154784		80.00	45.00	M	AH149813	50.32								
			AT101011				M	RE37003	12.72								
			AT76043				2.500	I	AT101377	65.37							
			RE20825					M	AT78498	46.61							
							50.00	M	RE20434	48.70							
								M	AH149842	56.91							
LOADER BUCKET			AH138930		80.00	45.00	M	RE20434	48.70								
			AH154778				M	AH149842	56.91								
			AH154793				80.00	M	AH149813	50.32							
								M	AH149842	56.91							
							90.00	M	AH149843	56.46							
			RE20826					M	AH149813	50.32							
MULTI-PURPOSE BUCKET POWER STEERING			AT142578		3.000	2.000	I	AT142582	38.05								
			AH139130				25.00	M	RE21875	42.46							
								I	AH137789	5.18							
			AH154780				25.00	M	AU149810	41.40							
								I	AH137789	5.18							

All manufacturer's names, part numbers and descriptions are used for reference purposes only. We do not imply that any part shown is the product of these manufacturers.

Remsa [KITS]

LOADER BACKHOE

JOHN DEERE

Model	Application	Serial Number	Cylinder Group	Arrangement	Bore	Rod	I	Ref. Number RJD-	\$
							M		
310D		-726006	RE18712			1.000	I	RE14552	11.25
					2.000		I	RE14551	9.68
		726007-746966	RE21961			25.00	M	RE21875	42.46
					50.00		M	RE21874	41.41
		746967-	RE33800			25.00	M	RE21875	42.46
					50.00		M	RE33803	45.12
		STEERING				60.00	M	AT108329	36.86
		BACKHOE ARM			100.00		M	AH149844	71.26
		BACKHOE BOOM			115.00		M	RE31716	58.95
			740893-UP	RE31721			M	AH149846	100.48
					56.00	M	RE31716	58.95	
	BACKHOE BUCKET				90.00		M	AH149843	56.46
					50.00		M	AH148164	36.28
	BACKHOE STABILIZER				100.00		M	AH137687	59.67
					100.00		M	AH149844	71.26
	LOADER BOOM				50.00		M	AH148164	36.28
					80.00		M	AH149842	56.91
	LOADER BUCKET				45.00		M	RE20434	48.70
					90.00		M	AH149843	56.46
					45.00		M	RE20434	48.70
	SWING				100.00		M	AH149844	71.26
					50.00		M	AH148164	36.28
401C	BACKHOE BOOM	ALL			4.000	2.000	I	RE18732	39.25
	BACKHOE BUCKET	ALL			3.000	1.750	I	RE18751	31.00
	BACKHOE CROWD	ALL			3.500	1.750	I	RE18755	33.25
	BACKHOE STABILIZER	ALL			3.500	1.750	I	RE18754	41.24
	BACKHOE SWING	ALL		9250	4.000	2.000	I	RE18732	39.25
			39797-UP		9250A	3.500	1.750	I	RE18756
	LOADER BOOM LIFT	ALL			2.750	1.750	I	RE19220	32.81
	LOADER BUCKET TILT	ALL			2.500	1.250	I	AR105453	30.19
401D	BACKHOE BOOM	ALL			4.000		I	RE16118	66.90
						2.000	I	RE16119	22.43
	BACKHOE BUCKET	ALL			3.000	1.750	I	RE18751	31.00
	BACKHOE CROWD	ALL			3.500	1.750	I	RE18755	33.25
	BACKHOE STABILIZER	ALL			3.500	1.750	I	RE18754	41.24
	BACKHOE SWING	ALL			3.500	1.750	I	RE18756	41.04
	LOADER BOOM LIFT	all with self-leveling bucket			3.250		I	RE30816	55.27
		all with non self-leveling bucket				1.750	I	RE16209	26.27
					2.750	1.750	I	RE19220	32.81
	LOADER BUCKET TILT	all with self-leveling bucket			2.500	1.250	I	AR105453	30.19
		all with non self-leveling bucket			2.500	1.500	I	RE19217	25.50
	STEERING	ALL			2.000	0.875	I	RE18749	20.87

All manufacturer's names, part numbers and descriptions are used for reference purposes only. We do not imply that any part shown is the product of these manufacturers.

INDUSTRIAL SEAL KITS

MOBILE SEAL KITS

JOHN DEERE

JOHN DEERE

LOADER BACKHOE

INDUSTRIAL
SEAL KITS

MOBILE
SEAL KITS

JOHN DEERE

Model	Application	Serial Number	Cylinder Group	Arrangement	Bore	Rod	I	Ref. Number RJD-	\$	
							M			
410	BACKHOE BOOM	ALL			4.500	2.250	I	AR105355	60.41	
		field replacement			4.500	2.250	I	RE18764	96.62	
	BACKHOE BUCKET	ALL			3.500	2.250	I	RE18757	44.42	
		field replacement			3.500	2.250	I	RE18758	84.67	
	BACKHOE CROWD	ALL			9500	4.000	2.000	I	AR105387	38.06
		field replacement			9410	4.500	2.250	I	AR105355	60.41
BACKHOE STABILIZER	ALL			9410	4.500	2.250	I	RE18764	96.62	
	check piston style			9500	3.000	1.750	I	RE18751	31.00	
410B	BACKHOE SWING	ALL			9500	3.500	1.750	I	RE18754	41.24
		field replacement			9410	3.500	1.750	I	RE12912	84.04
	BACKHOE SWING	check piston style			9410	4.000	1.750	I	RE18730	39.08
		PRIOR-303202			9410	4.000	2.000	I	AR105387	38.06
	LOADER BOOM LIFT	303203-UP			9410	4.000	2.000	I	RE18741	82.78
		303203-UP,								
check piston style										
LOADER BUCKET TILT	ALL				3.250	1.750	I	AR105402	33.67	
	ALL				3.250	1.500	I	AR105429	30.49	
410B	BACKHOE BOOM	ALL			4.500		I	RE14523	69.40	
						2.250	I	RE14208	32.09	
410C	BACKHOE BUCKET	PRIOR-711906			3.500		I	RE16076	64.86	
		711907-UP			3.500		I	RE14516	32.27	
	BACKHOE CROWD	ALL				2.250	I	RE14538	24.05	
		ALL			4.000		I	RE16118	66.90	
	BACKHOE STABILIZER	ALL				2.000	I	RE16119	22.43	
		PRIOR-719446			4.000		I	RE16118	66.90	
719447-UP			100.00		M	RE16119	22.43			
BACKHOE SWING	ALL				50.00	M	RE31139	79.38		
	ALL			4.000		I	RE20595	43.03		
410C	LOADER BOOM LIFT	ALL			4.000		I	RE16118	66.90	
		ALL			2.000	I	RE16119	22.43		
	LOADER BUCKET TILT	ALL			3.250		I	RE30816	55.27	
		ALL			3.500		I	RE16209	26.27	
	STEERING	ALL			3.500		I	RE14517	64.14	
		ALL			2.000		I	RE30874	24.43	
ALL				2.000		I	RE14551	9.68		
				1.000		I	RE14552	11.25		
410C	BACKHOE BOOM	ALL	RE21962			63.00	M	RE25151	92.17	
		ALL	AH135265		115.00		M	RE31140	98.81	
	BACKHOE BUCKET	ALL	RE25622			50.00	M	RE20595	43.03	
		740539-UP	AH13866		90.00		M	RE20430	40.64	
BACKHOE CROWD				56.00		M	RE31716	58.95		

All manufacturer's names, part numbers and descriptions are used for reference purposes only. We do not imply that any part shown is the product of these manufacturers.

LOADER BACKHOE

JOHN DEERE

Model	Application	Serial Number	Cylinder Group	Arrangement	Bore	Rod	I	Ref. Number RJD-	\$
							M		
	BACKHOE STABILIZER	ALL	RE26578		100.00	50.00	M	AH137687	59.67
							M	RE20595	43.03
	BACKHOE SWING	PRIOR-737926	RE15638		100.00	2.000	I	AH137687	59.67
							I	RE16119	22.43
							I	RE16118	66.90
		737927-UP	RE33472		50.00	M	RE20595	43.03	
	DIPPER EXTENSION LOADER BOOM LIFT	ALL	AT101063 RE20825, AH138930		100.00	1.500	M	AH137687	59.67
							I	AT79722	39.43
	LOADER BUCKET TILT	ALL	RE20826, RE38227		80.00	45.00	M	RE20434	48.70
							M	RE31138	44.99
							M	RE20434	48.70
			RE38227		90.00	M	RE20430	40.64	
	LOADER CLAM STEERING, POWER	769393-UP	AT142578 RE18712 (Flame Cut Head)		3.000	2.000	I	AT142582	38.05
							I	RE14552	11.25
							I	RE14551	9.68
							M	RE21875	42.46
							M	RE21874	41.41
			PRIOR-746966	RE21961 (Forged Head)		50.00	M	RE21875	42.46
			746967-XXXX	RE33803		25.00	M	RE21875	42.46
						50.00	M	RE33803	45.12
			XXXX-UP	AH139130		25.00	M	RE21875	42.46
						2.000	I	AH137789	5.18
	STEERING, HYDROSTATIC	PRIOR-749405 749406-UP	AT76403 AT108335		50.00	M	AT78498	46.61	
					60.00	M	AT108329	36.86	
410D	BACKHOE BOOM	ALL	AH135265 (Standard Boom)		115.00	63.00	M	RE25151	92.17
							M	RE31140	98.81
							I	RE14745	36.80
	BACKHOE BUCKET	ALL	RE15647 (Heavy Lift Boom)		5.000	50.00	I	RE14744	85.68
							M	RE20595	43.03
							M	RE20430	40.64
	BACKHOE CROWD	ALL	AH138661 (Standard Boom)		100.00	56.00	M	RE31716	58.95
							M	AH137687	59.67
	BACKHOE STABILIZER	ALL	AH135266 (Heavy Lift Boom)		115.00	63.00	M	RE25151	92.17
							M	RE31140	98.81
							M	RE20595	43.03
				AH135635, AH135636		50.00	M	RE20595	43.03
						100.00	M	AH137687	59.67
		BACKHOE SWING	ALL	RE33472		50.00	M	RE20595	43.03
						100.00	M	AH137687	59.67
	DIPPER EXTENSION (1.2 M EXTENDIBLE DIPPERSTICK)	PRIOR-XXXX XXXX-UP	AT10163 AH141377		3.000	I	AT79722	39.43	
					45.00	M	RE20434	48.70	
	DIPPER EXTENSION (1.5 M EXTENDIBLE DIPPERSTICK)	PRIOR-XXXX XXXX-UP	AT84174 AH141378		80.00	M	RE37003	12.72	
					3.000	I	AT79722	39.43	
					45.00	M	RE20434	48.70	
	LOADER BOOM LIFT	ALL	AH138931		80.00	M	RE37003	12.72	
					45.00	M	RE20434	48.70	
	LOADER BUCKET TILT	ALL	RE38227		90.00	M	RE20430	40.64	
					45.00	M	RE20434	48.70	
					90.00	M	RE20430	40.64	

All manufacturer's names, part numbers and descriptions are used for reference purposes only. We do not imply that any part shown is the product of these manufacturers.

INDUSTRIAL SEAL KITS

MOBILE SEAL KITS

JOHN DEERE

JOHN DEERE

LOADER BACKHOE

INDUSTRIAL
SEAL KITS

MOBILE
SEAL KITS

JOHN DEERE

Model	Application	Serial Number	Cylinder Group	Arrangement	Bore	Rod	I	Ref. Number	\$
							M		
415B	LOADER CLAM STEERING, POWER	ALL PRIOR-780658	AT142578		3.000	2.000	I	AT142582	38.05
			AH13930		25.00	M	RE21875	42.46	
		780659-UP	AH134479		2.000	I	AH137789	5.18	
					25.00	M	RE21875	42.46	
					2.500	I	RE30100	5.51	
	BACKHOE BOOM	ALL		4.500	2.250	I	RE14523	69.40	
	BACKHOE BUCKET	ALL		3.500	2.500	I	RE16076	64.86	
	BACKHOE CROWD	ALL		4.000	2.000	I	RE14516	32.27	
							I	RE16118	66.90
							I	RE16119	22.43
500A	BACKHOE STABILIZER	ALL			3.000		I	RE14082	59.36
	BACKHOE SWING	ALL			4.000		I	RE14555	64.54
	LOADER BOOM LIFT	ALL			3.250	2.000	I	RE14556	21.31
	LOADER BUCKET TILT	ALL			3.500	1.750	I	RE30816	55.27
						1.750	I	RE16209	26.27
						3.500	I	RE14517	64.14
	STEERING	ALL			1.750	1.750	I	RE30874	24.43
					2.000	1.000	I	RE14551	9.68
							I	RE14552	11.25
	BACKHOE BOOM	ALL			4.500	2.250	I	RE10640	45.25
BACKHOE BUCKET	ALL			3.500	2.250	I	RE18757	44.42	
	BACKHOE CROWD	ALL			4.000	2.000	I	AR105387	38.06
	BACKHOE STABILIZER	ALL		95	3.000	1.750	I	RE18751	31.00
				97, 9700	3.500	1.750	I	RE18754	41.24
	BACKHOE SWING	ALL		9700	4.000	1.750	I	RE18730	39.08
	LOADER BOOM LIFT AND BUCKET TILT	ALL			2.750	1.500	I	AR105430	28.25
500B	BACKHOE BOOM	all with AU43137 cylinder			5.500	2.500	I	AR105443	90.34
		all with AT37797 cylinder			5.500	2.500	I	RE13277	71.57
		all others			5.500	2.500	I	AR105281	65.81
	BACKHOE BUCKET	ALL			4.000	2.500	I	AR96526	59.72
	BACKHOE CROWD	all with AU42875 or AT35944 cyl.			5.500	2.500	I	AR105443	90.34
		all with AT38002 cylinder			5.500	2.500	I	RE18734	66.82
	BACKHOE STABILIZER	ALL			4.500	2.500	I	AR105441	63.14
	BACKHOE SWING	ALL			4.500	2.000	I	AR105384	44.15
	LOADER BOOM LIFT	ALL			3.500	2.000	I	AR105392	33.32
	LOADER BUCKET TILT	ALL			3.000	1.750	I	RE18751	31.00

All manufacturer's names, part numbers and descriptions are used for reference purposes only. We do not imply that any part shown is the product of these manufacturers.

LOADER BACKHOE

JOHN DEERE

Model	Application	Serial Number	Cylinder Group	Arrangement	Bore	Rod	I	Ref. Number RJD-	\$	
							M			
500C	BACKHOE BOOM	PRIOR-700717		9500, 9705	4.500	2.250	I	AR105355	60.41	
		700718-UP		9705	4.500	2.250	I	RE18764	96.62	
	BACKHOE BUCKET	PRIOR-700717		9500, 9705	3.500	2.250	I	RE18757	44.42	
		700718-UP		9705	3.500	2.250	I	RE18758	84.67	
	BACKHOE CROWD	ALL		9500	4.000	2.000	I	AR105387	38.06	
		PRIOR-700717		9705	4.500	2.250	I	AR105355	60.41	
			700718-UP			4.500	2.250	I	RE18764	96.62
	BACKHOE STABILIZER	ALL		9500	3.000	1.750	I	RE18751	31.00	
		PRIOR-700717		9705	3.500	1.750	I	RE18754	41.24	
			700718-UP		9705	3.500	1.750	I	RE12912	84.04
BACKHOE SWING	PRIOR-303508		9705	4.000	1.750	I	RE18730	39.08		
	303509-700717		9705	4.000	2.000	I	AR105387	38.06		
510		700718-UP		9705	4.000	2.000	I	RE18741	82.78	
	LOADER BOOM LIFT	ALL			3.250	1.750	I	AR105402	33.67	
		LOADER BUCKET TILT	ALL			3.250	1.500	I	AR105429	30.49
	BACKHOE BOOM	PRIOR-155578		9900	5.500	2.500	I	AR105443	90.34	
		155579-249770		9900	5.500	2.500	I	RE13277	71.57	
		249771-700717		9900	5.500	2.500	I	AR105281	65.81	
		700718-UP		9900	5.500	2.500	I	RE18745	91.98	
	BACKHOE BUCKET	PRIOR-700717		9900	4.000	2.500	I	AR96526	59.72	
		700718-U		9900	4.000	2.500	I	RE18735	96.28	
	BACKHOE CROWD	PRIOR-155578		9900	5.500	2.500	I	AR105443	90.34	
155579-700717			9900	5.500	2.500	I	RE18734	66.82		
510B	BACKHOE STABILIZER	700718-UP		9900	5.500	2.500	I	RE18740	140.08	
		PRIOR-700717		9900	4.500	2.500	I	AR105441	63.14	
		700718-UP		9900	4.500		I	RE14094	69.40	
	BACKHOE SWING			9900		2.500	I	RE17345	39.32	
		PRIOR-700717		9900	4.500	2.000	I	AR105384	44.15	
		700718-UP		9900	4.500	2.000	I	RE19225	90.00	
	LOADER BOOM LIFT	ALL				3.750	2.000	I	AR105381	36.76
		LOADER BUCKET TILT	ALL			3.500	2.000	I	AR105392	33.32
		LOADER CLAM	ALL			4.000	2.000	I	JIC-G32299	37.61
		DROTT 4-IN-1 BUCKET								
510B	BACKHOE BOOM	ALL			5.000		I	RE14744	85.68	
	BACKHOE BUCKET	ALL			3.500	2.500	I	RE14745	36.80	
							I	RE16076	64.86	
	BACKHOE CROWD	ALL			4.500	2.250	I	RE14538	24.05	
							I	RE14094	69.40	
	BACKHOE STABILIZER	PRIOR-719455				4.000	2.250	I	RE14208	32.09
								I	RE16118	66.90
	BACKHOE SWING	ALL				4.000	2.000	I	RE16119	22.43
							M	RE31139	79.38	
LOADER BOOM LIFT	ALL				100.00	50.00	M	RE20595	43.03	
							I	RE16118	66.90	
						2.000	I	RE16119	22.43	
					3.500		I	RE14517	64.14	

All manufacturer's names, part numbers and descriptions are used for reference purposes only. We do not imply that any part shown is the product of these manufacturers.

INDUSTRIAL SEAL KITS

MOBILE SEAL KITS

JOHN DEERE

JOHN DEERE

LOADER BACKHOE

Model	Application	Serial Number	Cylinder Group	Arrangement	Bore	Rod	I	Ref. Number RJD-	\$
							M		
510C	LOADER BUCKET TILT	ALL			4.000	1.750	I	RE16209	26.27
							I	RE14567	68.78
	STEERING	ALL			2.000	2.000	I	RE16119	22.43
							I	RE14551	9.68
						1.000	I	RE14552	11.25
	BACKHOE BOOM	ALL	RE15647			2.500	I	RE14745	36.80
						5.000	I	RE14744	85.68
	BACKHOE BUCKET	ALL	RE25622			50.00	M	RE20595	43.03
						90.00	M	RE20430	40.64
	BACKHOE CROWD	ALL	RE21965, AH135266			63.00	M	RE25151	92.17
					115.00	M	RE31140	98.81	
	BACKHOE STABILIZER	ALL	RE26578			50.00	M	RE20595	43.03
					100.00	M	AH137687	59.67	
	BACKHOE SWING	PRIOR-737926	RE15638			2.000	I	RE16119	22.43
		737927-UP	RE33472			4.000	I	RE16118	66.90
						25.00	M	RE20595	43.03
					100.00	M	AH137687	59.67	
	DIPPER EXTENSION	ALL	AT84174			3.000	I	AT79722	39.43
	LOADER BOOM LIFT	ALL	RE21959, AH138931			45.00	M	RE20434	48.70
						90.00	M	RE20430	40.64
	LOADER BUCKET TILT	ALL	RE21966, RE38230			50.00	M	RE20595	43.03
						100.00	M	AH137687	59.67
	LOADER CLAM	769393-UP	AT142578			3.000	I	AT142582	38.05
	STEERING, POWER		RE18712 (flame cut head)			1.000	I	RE14552	11.25
						2.000	I	RE14551	9.68
		PRIOR-746966	RE21961 (forged head)			25.00	M	RE21875	42.46
		746967-XXXX	RE33803			50.00	M	RE21874	41.41
						25.00	M	RE21875	42.46
						50.00	M	RE33803	45.12
		XXXX-UP	AH139130			25.00	M	RE21875	42.46
						2.000	I	AH137789	5.18
	STEERING, HYDROSTATIC	PRIOR-749405 749406-UP	AT76403 AT108335			50.00	M	AT78498	46.61
						60.00	M	AT108329	36.86
510D	BACKHOE BOOM	ALL	RE15647			2.500	I	RE14745	36.80
						5.000	I	RE14744	85.68
	BACKHOE BUCKET	ALL	RE25622			45.00	M	RE20434	48.70
						90.00	M	RE20430	40.64
	BACKHOE CROWD	ALL	AH135266			63.00	M	RE25151	92.17
						115.00	M	RE31140	98.81
	BACKHOE STABILIZER	ALL	AH135635, AH135636			50.00	M	RE20595	43.03
						100.00	M	AH137687	59.67
	BACKHOE SWING	ALL	RE33472			50.00	M	RE20595	43.03
						100.00	M	AH137687	59.67
	DIPPER EXTENSION	PRIOR-XXXX XXXX-UP	AT84174 AH141378			3.000	I	AT79722	39.43
						45.00	M	RE20434	48.70
						80.00	M	RE37003	12.72

All manufacturer's names, part numbers and descriptions are used for reference purposes only. We do not imply that any part shown is the product of these manufacturers.

LOADER BACKHOE

JOHN DEERE

Model	Application	Serial Number	Cylinder Group	Arrangement	Bore	Rod	I	Ref. Number RJD-	\$	
							M			
515B	LOADER BOOM LIFT	ALL	AH138931			45.00	M	RE20434	48.70	
					90.00		M	RE20430	40.64	
	LOADER BUCKET TILT	ALL	RE38230			50.00	M	RE20595	43.03	
					100.00		M	AH137687	59.67	
	LOADER CLAM	ALL	AT142578		3.000	2.000	I	AT142582	38.05	
	STEERING, POWER	PRIOR-780658	AH139130			25.00	M	RE21875	42.46	
					2.000		I	AH137789	5.18	
			780659-UP	AH134479			25.00	M	RE21875	42.46
					2.250			I	RE30100	5.51
	BACKHOE BOOM	ALL			4.500			I	RE14523	69.40
						2.250		I	RE14208	32.09
	BACKHOE BUCKET	ALL			3.500			I	RE16076	64.86
						2.250		I	RE14538	24.05
	BACKHOE CROWD	ALL			4.500			I	RE14523	69.40
						2.250		I	AH139417	33.66
BACKHOE STABILIZER	ALL			3.000			I	RE14082	59.36	
BACKHOE SWING	ALL			4.000			I	RE14555	64.54	
					2.000		I	RE14556	21.31	
LOADER BOOM LIFT	ALL			3.500			I	RE14517	64.14	
					1.750		I	RE16209	26.27	
LOADER BUCKET TILT	ALL			4.000			I	RE14567	68.78	
					2.000		I	RE16119	22.43	
STEERING	ALL			2.000			I	RE14551	9.68	
					1.000		I	RE14552	11.25	
610B	BACKHOE BOOM	ALL			5.000			I	RE14744	85.68
						2.500		I	RE14745	36.80
	BACKHOE BUCKET	ALL			3.500			I	RE16076	64.86
						2.250		I	RE14538	24.05
	BACKHOE CROWD	ALL			4.500			I	RE14094	69.40
						2.250		I	RE14208	32.09
	BACKHOE STABILIZER	PRIOR-719557			4.000			I	RE16118	66.90
						2.000		I	RE16119	22.43
			719558-UP		100.00			M	RE31139	79.38
						50.00		M	RE20595	43.03
	BACKHOE SWING	ALL			4.000			I	RE16118	66.90
						2.000		I	RE16119	22.43
	LOADER BOOM LIFT	ALL			3.500			I	RE14517	64.14
						1.750		I	RE16209	26.27
	LOADER BUCKET TILT	ALL			4.000			I	RE14567	68.78
					2.000		I	RE16119	22.43	
STEERING	ALL			2.000			I	RE14551	9.68	
					1.000		I	RE14552	11.25	
610C	BACKHOE BOOM	ALL	RE15647			2.500		I	RE14745	36.80
					5.000			I	RE14744	85.68
	BACKHOE BUCKET	ALL	RE25622			50.00		M	RE20595	43.03

All manufacturer's names, part numbers and descriptions are used for reference purposes only. We do not imply that any part shown is the product of these manufacturers.

INDUSTRIAL SEAL KITS

MOBILE SEAL KITS

JOHN DEERE

Remsa [KITS]

JOHN DEERE

LOADER BACKHOE

INDUSTRIAL
SEAL KITS

MOBILE
SEAL KITS

JOHN DEERE

Model	Application	Serial Number	Cylinder Group	Arrangement	Bore	Rod	I	Ref. Number RJD-	\$
							M		
710B	BACKHOE CROWD	ALL	RE21965, AH135266		90.00		M	RE20430	40.64
					63.00		M	RE25151	92.17
	BACKHOE STABILIZER	ALL	RE26578		115.00		M	RE31140	98.81
					50.00		M	RE20595	43.03
					100.00		M	AH137687	59.67
					2.000		I	RE16119	22.43
	BACKHOE SWING	PRIOR-737926	RE15638		4.000		I	RE16118	66.90
					50.00		M	RE20595	43.03
	DIPPER EXTENSION LOADER BOOM LIFT	ALL	AT84174		100.00		M	AH137687	59.67
		ALL	RE21959,		3.000	1.500	I	AT79722	39.43
710B	LOADER BUCKET TILT	ALL	AH138931 RE21966, RE38230		90.00		M	RE20430	40.64
					50.00		M	RE20595	43.03
	LOADER CLAM STEERING, POWER	769393-UP	AT142578 RE18712 (Flame Cut Head)		100.00		M	AH137687	59.67
					3.000	2.000	I	AT142582	38.05
					1.000		I	RE14552	11.25
					2.000		I	RE14551	9.68
		PRIOR-746966	RE21961 (Forged Head)		25.00		M	RE21875	42.46
					50.00		M	RE21874	41.41
		746967-XXXX	RE33803		25.00		M	RE21875	42.46
					50.00		M	RE33803	45.12
	XXXX-UP	AH139130		25.00		M	RE21875	42.46	
				2.000		I	AH137789	5.18	
710B	STEERING, HYDROSTATIC	PRIOR-749405 749406-UP	AT76403 AT108335		50.00	25.00	M	AT78498	46.61
					60.00		M	AT108329	36.86
	BACKHOE BOOM	ALL			6.000		I	RE14879	106.92
					2.750		I	RE14880	37.50
	BACKHOE BUCKET	ALL			4.000		I	RE14567	68.78
	BACKHOE CROWD	ALL			2.500		I	RE14516	32.27
					5.500		I	RE14877	104.48
	BACKHOE STABILIZER	ALL			2.750		I	RE14878	41.11
					4.500		I	RE14094	69.40
	BACKHOE SWING	ALL			2.500		I	RE14745	36.80
4.500						I	RE14523	69.40	
710C	LOADER BOOM LIFT	ALL			2.250		I	AH139417	33.66
					3.750		I	RE14771	54.41
	LOADER BUCKET TILT	ALL			2.000		I	RE30817	27.35
					4.500		I	RE14523	69.40
	STEERING	ALL			2.000		I	RE16119	22.43
2.750						I	RE14772	15.13	
BACKHOE BOOM			AH136547 AH142928		1.250		I	RE14773	19.72
					80.00		M	RE25152	119.66
					160.00		M	AH137210	94.51
					80.00		M	RE25152	119.66
				160.00		M	AH137210	94.51	

All manufacturer's names, part numbers and descriptions are used for reference purposes only. We do not imply that any part shown is the product of these manufacturers.

Remsa [KITS]

LOADER BACKHOE

JOHN DEERE

Model	Application	Serial Number	Cylinder Group	Arrangement	Bore	Rod	I	Ref. Number RJD-	\$	
							M			
	BACKHOE BUCKET		AH140866		100.00	63.00	M	AH134477	87.32	
			AH142927			63.00	M	AH149844	71.26	
	BACKHOE CROWD		AH136539		100.00	M	RE25151	92.17		
					70.00	M	AH149844	71.26		
	BACKHOE STABILIZER		AH154791		140.00	M	RE37462	113.80		
						M	AH137209	122.26		
	BACKHOE SWING		AH154791			M	AH149815	50.42		
			RE36942		115.00	M	AH149846	100.48		
					115.00	M	RE28899	87.93		
			AH139415		115.00	M	AH149846	100.48		
		4.500	I	AH139417	33.66					
			I	RE14523	69.40					
			AH141405		56.00	M	RE31716	58.95		
			AH154781		115.00	M	AH149846	100.48		
					56.00	M	AH149814	45.93		
					115.00	M	AH149846	100.48		
			-704673		AR104407	2.250	I	AH139417	33.66	
					4.500	I	RE14523	69.40		
			-704673		RE15499	2.250	I	AH139417	33.66	
					4.500	I	RE14523	69.40		
			EXTENDABLE DIPPERSTICK LOADER BOOM		AH155668	45.00	M	AH149813	50.32	
					AH154789	80.00	M	RE37003	12.72	
			AH154789		56.00	M	AH149814	45.93		
					100.00	M	AH137687	59.67		
			RE32557		56.00	M	RE31716	58.95		
			AH154792		100.00	M	AH137687	59.67		
					56.00	M	AH149814	45.93		
					115.00	M	AH149846	100.48		
					RE37702	56.00	M	RE31716	58.95	
					115.00	M	AH149846	100.48		
			MULTI-PURPOSE POWER STEERING		768252-	AT142582	3.000	I	AT142582	38.05
						AH154794	60.00	M	AH148823	34.99
	RE38529	70.00		M	RE20428	35.89				
		60.00		M	RE21873	41.44				
			70.00	M	RE20428	35.89				
710D	BACKHOE BOOM		AH142928		80.00	M	RE25152	119.66		
	BACKHOE BUCKET		160.00		M	AH137210	94.51			
	BACKHOE CROWD		63.00		M	RE25151	92.17			
			100.00		M	AH149844	71.26			
			70.00		M	AH142089	125.33			
			140.00		M	AH137209	122.26			
	BACKHOE STABILIZER		-831989		RE36942	63.00	M	RE28899	87.93	
			831990-		AH154791	115.00	M	AH149846	100.48	
					AH149815	63.00	M	AH149815	50.42	
	BACKHOE SWING				AH141405	115.00	M	AH149846	100.48	
			56.00	M	RE31716	58.95				
			115.00	M	AH149846	100.48				

All manufacturer's names, part numbers and descriptions are used for reference purposes only. We do not imply that any part shown is the product of these manufacturers.

INDUSTRIAL SEAL KITS

MOBILE SEAL KITS

JOHN DEERE

JOHN DEERE

LOADER BACKHOE

INDUSTRIAL
SEAL KITS

MOBILE
SEAL KITS

JOHN DEERE

Model	Application	Serial Number	Cylinder Group	Arrangement	Bore	Rod	I	Ref. Number RJD-	\$			
							M					
	EXTENDABLE		AH146325		80.00	45.00	M	RE20434	48.70			
			M				RE37003	12.72				
	LOADER BOOM		AH155668		80.00	45.00	M	AH149813	50.32			
			AH154789				M	RE37003	12.72			
	LOADER BUCKET					RE32557		100.00	56.00	M	AH149814	45.93
										M	AH149844	71.26
								100.00	56.00	M	RE31716	58.95
										M	AH149844	71.26
								115.00	56.00	M	AH149814	45.93
										M	AH149846	100.48
115.00	56.00	M	RE31716	58.95								
POWER STEERING			AH154794		70.00		M	RE20428	35.89			
							M	AH148823	34.99			
							M	RE21873	41.44			
							M	RE20428	35.89			

ARTICULATED LOADER

344E	LOADER BOOM LIFT	ALL	AT122273		110.00	60.00	M	AT122564	107.06	
	LOADER BUCKET TILT	ALL	AT122274		110.00	60.00	M	AT122564	107.06	
	STEERING	ALL	AT122275		60.00	35.00	M	AT122580	76.32	
444, 444C, 444CH	BACKHOE BOOM	ALL			4.000	2.000	I	RE18732	39.25	
	BACKHOE BUCKET	ALL			3.000	1.750	I	RE18751	31.00	
	BACKHOE CROWD	ALL			3.500	1.750	I	RE18755	33.25	
	BACKHOE STABILIZER	ALL			3.500	1.750	I	RE18754	41.24	
	BACKHOE SWING	PRIOR-39796			9450	3.500	1.750	I	RE18756	41.04
		check piston style			9450	3.500	1.750	I	RE18756	41.04
		39797-UP				4.000	2.000	I	AR105387	38.06
	LOADER BOOM LIFT	PRIOR-503064			5.250	2.250	I	AR105346	51.18	
		503065-UP			5.250		I	RE14100	90.57	
	LOADER BUCKET TILT					2.250		I	RE14208	32.09
						5.250	2.250	I	AR105356	56.25
						5.250		I	RE14100	90.57
						2.250		I	RE14454	31.13
LUMBER CLAMP	ALL			4.000	2.000	I	AR105387	38.06		
STEERING	ALL			444	3.625	3.375	I	RE19227	36.15	
	PRIOR-505310			444, 444CH	3.000	1.500	I	AR105272	21.09	
	505311-UP			444C, 444CH	3.000		I	RE18202	8.50	
			444C, 444CH	1.500		I	RE18203	23.27		

All manufacturer's names, part numbers and descriptions are used for reference purposes only. We do not imply that any part shown is the product of these manufacturers.

ARTICULATED LOADER

JOHN DEERE

Model	Application	Serial Number	Cylinder Group	Arrangement	Bore	Rod	I	Ref. Number RJD-	\$	
							M			
444D	LOADER BOOM LIFT	ALL			5.250	2.250	I	RE14100	90.57	
							I	RE14208	32.09	
	LOADER BUCKET TILT	ALL			5.250		I	RE14100	90.57	
							I	RE14454	31.13	
	LUMBER FORK	ALL			4.000	2.000	I	AR105387	38.06	
	MULTI-PURPOSE	ALL			4.000	2.000	I	AR105387	38.06	
444E	STEERING	ALL			3.000	1.500	I	RE18202	8.50	
							I	RE18203	23.27	
	LOADER BOOM LIFT	ALL	AT121333		110.00	60.00	M	AT121500	122.31	
	LOADER BUCKET TILT	ALL	AT121334		120.00	65.00	M	AT121501	124.22	
	STEERING	ALL	AT121335		65.00	35.00	M	AT121499	96.22	
544, 544A	BACKHOE BUCKET	PRIOR-701219		93, 93A, 9305	3.500	2.250	I	RE18757	44.42	
		701220-UP		9305	3.500	2.250	I	RE18758	84.67	
	BACKHOE CROWD	PRIOR-701219		93, 93A, 9305	4.000	2.000	I	AR105387	38.06	
		701220-UP		9305	4.000	2.000	I	RE18741	82.78	
	BACKHOE STABILIZER	ALL		93, 93A	3.500	1.750	I	RE18754	41.24	
				9305	4.000	2.000	I	AR105387	38.06	
	BACKHOE BOOM	ALL		93, 93A	4.500	2.250	I	RE10640	45.25	
							I	RE10640	45.25	
			PRIOR-701219		9305	4.500	2.250	I	AR105355	60.41
			701220-UP		9305	4.500	2.250	I	RE18764	96.62
	GRAPPLE	ALL			3.500	1.750	I	RE18754	41.24	
	LOADER BOOM LIFT	ALL			5.250	2.250	I	AR105346	51.18	
	LOADER BUCKET TILT	ALL			3.500	2.000	I	RE18748	39.74	
	LOADER CLAM	453-UP		drott 4-IN-1 bucket	4.000	2.000	I	RJIC-G32299	37.61	
	LUMBER CLAMP	ALL			5.250	2.250	I	AR105346	51.18	
	STEERING	ALL		right hand cyl.	3.625	3.375	I	RE19227	36.15	
				left hand cyl.	3.625	3.375	I	RE19226	38.37	
544B	BACKHOE BOOM	PRIOR-01219		9305	4.500	2.250	I	AR105355	60.41	
		701220-UP		9305	4.500	2.250	I	RE18764	96.62	
	BACKHOE BUCKET	PRIOR-701219		9305	3.500	2.250	I	RE18757	44.42	
		701220-UP		9305	3.500	2.250	I	RE18758	84.67	
	BACKHOE CROWD	PRIOR-701219		9305	4.000	2.000	I	AR105387	38.06	
		701220-UP		9305	4.000	2.000	I	RE18741	82.78	
	BACKHOE STABILIZER	ALL			4.000	2.000	I	AR105387	38.06	
	GRAPPLE	ALL			3.500	1.750	I	RE18754	41.24	
	LOADER BOOM LIFT	ALL			5.250	2.250	I	AR105346	51.18	
	LOADER BUCKET TILT	ALL			5.250	2.250	I	AR105356	56.25	
	LUMBER CLAMP	PRIOR-226223			5.250	2.250	I	AR105346	51.18	
		226224-UP			4.000	2.000	I	AR105387	38.06	
MULTI-PURPOSE	STEERING	ALL		right hand cyl.	3.625	3.375	I	RE19227	36.15	
		ALL		left hand cyl.	3.625	3.375	I	RE19226	38.37	
		PRIOR-247599		left hand cyl.	3.625	3.375	I	RE19227	36.15	
		247600-UP								

All manufacturer's names, part numbers and descriptions are used for reference purposes only. We do not imply that any part shown is the product of these manufacturers.

INDUSTRIAL SEAL KITS

MOBILE SEAL KITS

JOHN DEERE

JOHN DEERE

ARTICULATED LOADER

INDUSTRIAL SEAL KITS

MOBILE SEAL KITS

JOHN DEERE

Model	Application	Serial Number	Cylinder Group	Arrangement	Bore	Rod	I	Ref. Number RJD-	\$
							M		
544C	BACKHOE BOOM	ALL			4.000	2.000	I	RE18732	39.25
	BACKHOE BUCKET	ALL			3.000	1.750	I	RE18751	31.00
	BACKHOE CROWD	ALL			3.500	1.750	I	RE18755	33.25
	BACKHOE STABILIZER	ALL			3.500	1.750	I	RE18754	41.24
	BACKHOE SWING	ALL			3.500	1.750	I	RE18756	41.04
	LOADER BOOM LIFT	504463-UP			5.500		I	RE14910	104.48
	LOADER BUCKET TILT	504664-UP			5.500	2.500	I	RE13745	31.28
	LUMBER FORK	ALL			4.000	2.000	I	RE14910	104.48
	MULTI-PURPOSE	ALL			4.000	2.000	I	AR105387	38.06
	STEERING	PRIOR-505253			3.000	1.500	I	AR105272	21.09
		505254-UP			3.000		I	RE18202	8.50
544D	LOADER BOOM LIFT	ALL			5.500	1.500	I	RE18203	23.27
	LOADER BUCKET TILT	ALL			5.500	2.500	I	RE14910	104.48
	LUMBER FORK	ALL			4.000	2.000	I	RE13745	31.28
	MULTI-PURPOSE	ALL			4.000	2.000	I	RE14910	104.48
	STEERING	ALL			4.000	2.000	I	RE18733	32.10
			ALL			3.000	1.500	I	AR105387
544E, 544E LL, 544E TC	LOADER BOOM LIFT	ALL	AH136532, AH136534		125.00	63.00	M	RE25151	92.17
	LOADER BUCKET TILT	ALL	AH136537, AH139262		140.00	63.00	M	AH137208	110.60
		ALL	AH136544		160.00	80.00	M	RE25151	92.17
					160.00	80.00	M	AH137209	122.26
	STEERING	ALL	RE27701		70.00	40.00	M	RE25152	119.66
					70.00	40.00	M	AH137210	94.51
544G	LOADER BOOM LIFT				125.00	63.00	M	RE20433	48.41
	LOADER BUCKET TILT				140.00	63.00	M	AH137208	110.60
					140.00	63.00	M	RE25151	92.17
	STEERING				70.00	63.00	M	AH137209	122.26
544H, 544HLL	BOOM	PRIOR-570068	AH147533		115.00	40.00	M	RE25151	92.17
		570069-UP	AH163629		115.00	63.00	M	RE20428	35.89
					115.00	63.00	M	AH137208	110.60
					115.00	63.00	M	RE25151	92.17
	BUCKET	ALL	AH152676		125.00	75.00	M	AH137209	122.26
		ALL	AH153921		110.00	70.00	M	RE25151	92.17
	STEERING	PRIOR-568522	AH147586		63.00	40.00	M	RE20428	35.89
					63.00	40.00	M	AH149848	141.58
					110.00	75.00	M	AH154570	57.39
					70.00	70.00	M	AH149845	89.90
					63.00	40.00	M	AH156466	46.34
					63.00	40.00	M	AH153497	109.17
					63.00	40.00	M	AH153497	109.17

All manufacturer's names, part numbers and descriptions are used for reference purposes only. We do not imply that any part shown is the product of these manufacturers.

ARTICULATED LOADER

JOHN DEERE

Model	Application	Serial Number	Cylinder Group	Arrangement	Bore	Rod	I	Ref. Number RJD-	\$	
							M			
624E, 624G	LOADER BOOM LIFT	568523-UP	AH160118		63.00	40.00	M	AH161590	77.13	
		ALL	AH136535		63.00	M	AH149194	41.99		
	LOADER BUCKET TILT	ALL	AH136542		140.00	80.00	M	RE25151	92.17	
		ALL					M	AH137209	122.26	
		ALL					M	RE25152	119.66	
644, 644A	STEERING	ALL	RE36926		160.00	45.00	M	AH137210	94.51	
		ALL			80.00	M	RE20434	48.70		
	BACKHOE BOOM	ALL		93, 93A	4.500	2.250	I	RE10640	45.25	
		PRIOR-701219		9305	4.500	2.250	I	AR105355	60.41	
644B	BACKHOE BUCKET	701220-UP		9305	4.500	2.250	I	RE18764	96.62	
		PRIOR-701219		93, 93A, 9305	3.500	2.250	I	RE18757	44.42	
	BACKHOE CROWD	701220-UP		9305	3.500	2.250	I	RE18758	84.67	
		PRIOR-701219		93, 93A, 9305	4.000	2.000	I	AR105387	38.06	
		701220-UP		9305	4.000	2.000	I	RE18741	82.78	
	BACKHOE STABILIZER	ALL		93, 93A	3.500	1.750	I	RE18754	41.24	
		ALL		9305	4.000	2.000	I	AR105387	38.06	
	LOADER BOOM LIFT	ALL			6.250	2.750	I	RE18744	119.50	
	LOADER BUCKET TILT	ALL			4.500	2.250	I	AR105355	60.41	
	LOADER CLAM	303-UP		drott 4-IN-1 bucket	4.000	2.000	I	JIC-G32299	37.61	
LUMBER CLAMP	ALL			5.250	2.250	I	AR105346	51.18		
STEERING	ALL		right hand cyl.	4.000	3.750	I	AT34932	30.70		
644C	MULTI-PURPOSE	ALL			4.000	3.750	I	AT34933	30.79	
		ALL			4.000	2.000	I	AR105387	38.06	
		ALL			6.250	2.750	I	RE18744	119.50	
		ALL			6.250	2.750	I	RE18744	119.50	
		ALL			5.250	2.250	I	AR105346	51.18	
644D	STEERING	ALL		right hand cyl.	4.000	2.000	I	AR105387	38.06	
		PRIOR-247612		left hand cyl.	4.000	3.750	I	AT34932	30.70	
	247613-UP		left hand cyl.	4.000	3.750	I	AT34933	30.79		
	ALL			4.000	3.750	I	AT34932	30.70		
644C	LOADER BOOM LIFT	505377-UP			6.250		I	RE14022	113.20	
	LOADER BUCKET TILT	505377-UP			2.750		I	RE16991	70.76	
					6.250		I	RE14022	113.20	
	LUMBER FORK	ALL			3.000		I	RE16992	53.77	
	MULTI-PUPOSE	ALL			4.000	2.000	I	AR105387	38.06	
STEERING	ALL			4.000	2.000	I	AR105387	38.06		
644D	STEERING	ALL			3.500		I	RE17097	11.09	
					1.750		I	RE30874	24.43	
	LOADER BOOM LIFT	ALL				6.250		I	RE14022	113.20
						2.750		I	RE16991	70.76
LOADER BUCKET TILT	ALL				6.250		I	RE14022	113.20	
					3.000		I	RE16992	53.77	

All manufacturer's names, part numbers and descriptions are used for reference purposes only. We do not imply that any part shown is the product of these manufacturers.

INDUSTRIAL SEAL KITS

MOBILE SEAL KITS

JOHN DEERE

JOHN DEERE

ARTICULATED LOADER

Model	Application	Serial Number	Cylinder Group	Arrangement	Bore	Rod	I	Ref. Number RJD-	\$
							M		
644E, 644ER	LUMBER FORK	ALL			4.000	2.000	I	RE18733	32.10
	MULTI-PURPOSE	ALL			4.000	2.000	I	AR105387	38.06
	STEERING	ALL			90.00		M	RE20430	40.64
						45.00	M	RE20434	48.70
	LOADER BOOM LIFT	ALL	AH136545,			80.00	M	RE25152	119.66
			AH136546			160.00	M	AH137210	94.51
	LOADER BUCKET TILT	ALL	AH136549,			80.00	M	RE25152	119.66
		AH136551			180.00	M	AH137211	108.41	
	STEERING	ALL	RE24865		45.00	M	RE20434	48.70	
					90.00	M	RE20430	40.64	
644G	BOOM	ALL	AH139265		160.00		M	AH137210	94.51
						80.00	M	RE25152	119.66
	BUCKET	ALL	AH139266		180.00		M	AH137211	108.41
						80.00	M	RE25152	119.66
	STEERING	ALL	AH150098		90.00		M	AH149843	56.46
					45.00	M	AH149813	50.32	
		ALL	RE24865		90.00		M	AH149843	56.46
					45.00	M	RE20434	48.70	
744E	LOADER BOOM LIFT	ALL	AT137814,		170.00	95.00	M	AT138138	234.89
			AT161735						
	LOADER BUCKET TILT	ALL	AT137796		200.00	100.00	M	AT138137	297.00
	STEERING	ALL	AT137406,		100.00	50.00	M	AT138119	136.86
			AT158546						
844	LOADER BOOM LIFT	507993-510358			7.500		I	RE14033	138.52
						3.750	I	RE15708	87.72
		510359-UP			7.500		I	RE14033	138.52
						3.750	I	RE21202	152.74
	LOADER BUCKET TILT	508226-510358			7.500		I	RE14033	138.52
						3.750	I	RE15708	87.72
		510359-UP			7.500		I	RE14033	138.52
	STEERING	ALL			3.750	2.000	I	RE21202	152.74
							I	AR105381	36.76
TC54H	BOOM	PRIOR-570068	AH147533		115.00		M	AH163671	90.44
						63.00	M	AH149815	50.42
		570069-UP	AH163629		115.00		M	AH163671	90.44
						63.00	M	AH149815	50.42
	BUCKET	ALL	AH153921		110.00		M	AH149845	89.90
						70.00	M	AH156466	46.34
	STEERING	PRIOR-568522	AH147586		63.00	40.00	M	AH153497	109.17
		568523-UP	AH160118		63.00		M	AH161590	77.13
					40.00	M	AH149194	41.99	

All manufacturer's names, part numbers and descriptions are used for reference purposes only. We do not imply that any part shown is the product of these manufacturers.

INDUSTRIAL SEAL KITS

MOBILE SEAL KITS

JOHN DEERE

Remsa [KITS]

GRADER

JOHN DEERE

Model	Application	Serial Number	Cylinder Group	Arrangement	Bore	Rod	I	Ref. Number RJD-	\$
							M		
570, 570A, 570B	BLADE LIFT	ALL			3.000	1.750	I	RE18751	31.00
	BLADE PITCH	ALL			2.500	1.250	I	AR105453	30.19
	BLADE SIDESHIFT	ALL			2.500	1.500	I	RE19217	25.50
	CIRCLE SIDESHIFT	ALL			3.000	1.750	I	RE18751	31.00
	REAR STEERING	ALL			3.000	1.250	I	AR105454	32.41
	SCARIFIER & SNOW	ALL			4.000	1.750	I	RE10223	33.75
	PLOW LIFT								
	WHEEL LEAN	ALL			3.000	1.250	I	AR105454	32.41
670, 670A, 670B, 672A, 672B	BLADE LIFT	ALL			3.250	2.000	I	RE18747	36.98
	BLADE TILT	ALL			4.000	1.750	I	RE18736	35.90
	BLADE SIDESHIFT	ALL			3.500	1.500	I	RE18742	48.75
	CIRCLE SIDESHIFT	ALL			3.250	2.000	I	RE18747	36.98
	FRONT MOUNTED EQ.	ALL			5.000	2.000	I	RE18743	45.99
	FRONT STEERING	ALL			3.000	1.250	I	RE18750	25.42
	REAR STEERING	ALL		670, 670A, 672A	3.500	1.750	I	RE18754	41.24
				670B, 672B	90.00		M	RE20430	40.64
			670B, 672B		45.00	M	RE20434	48.70	
	RIPPER	ALL			5.250	2.250	I	AR105346	51.18
	SCARIFIER	ALL			5.000	2.000	I	RE18743	45.99
	WHEEL LEAN	ALL			4.000	2.000	I	RE18733	32.10
770, 770A, 770B, 772A, 772B	BLADE LIFT	ALL			3.500	2.000	I	RE18748	39.74
	BLADE TILT	ALL			4.000	1.750	I	RE18736	35.90
	BLADE SIDESHIFT	ALL			3.500	1.500	I	RE18742	48.75
	BOWL LIFT	ALL			4.000	2.000	I	AR105387	38.06
	CIRCLE SIDESHIFT	ALL			3.500	1.750	I	RE18754	41.24
	FRONT MOUNTED EQ.	ALL			5.000	2.000	I	RE18743	45.99
	FRONT STEERING	ALL			3.000	1.250	I	RE18750	25.42
	REAR STEERING	ALL			4.000	2.000	I	RE18733	32.10
	RIPPER	ALL			5.250	2.250	I	AR105346	51.18
	SLIDING FLOOR	PRIOR-1000			4.500	2.250	I	AR105355	60.41
		1001-UP			4.500	2.250	I	AR105351	49.06
	SCARIFIER	ALL			3.000	1.500	I	AR105722	33.66
		ALL			5.000	2.000	I	RE18743	45.99
	WHEEL LEAN	ALL			4.000	2.000	I	RE18733	32.10

All manufacturer's names, part numbers and descriptions are used for reference purposes only. We do not imply that any part shown is the product of these manufacturers.

INDUSTRIAL SEAL KITS

MOBILE SEAL KITS

JOHN DEERE

JOHN DEERE

SCRAPER

Model	Application	Serial Number	Cylinder Group	Arrangement	Bore	Rod	I	Ref. Number RJD-	\$	
							M			
760	BOWL LIFT	ALL			4.000	2.000	I	AR105387	38.06	
	SCARIFIER	ALL			3.000	1.500	I	AR105722	33.66	
	SLIDING FLOOR	PRIOR-1000			4.500	2.250	I	AR105355	60.41	
		1001-UP			4.500	2.250	I	AR105351	49.06	
760A	BOWL LIFT	ALL			4.000	2.000	I	AR105387	38.06	
	EJECTOR GATE	RE19217			2.500	1.500	I	RE19217	25.50	
	SCARIFIER	ALL			3.000	1.500	I	AR105722	33.66	
	SLIDING FLOOR	PRIOR-2505			4.500	2.250	I	AR105351	49.06	
		2506-UP			5.000	2.250	I	RE18759	59.57	
762, 762A, 762B	BOWL LIFT	ALL			4.500	2.000	I	RE18737	40.69	
	EJECTOR GATE	ALL			2.500	1.500	I	RE19217	25.50	
	FOLLOW-UP STEERING	ALL			1.000	0.500	I	AH65915	8.35	
	SLIDING FLOOR	(762, 762A ONLY)			5.250	2.250	I	AR105346	51.18	
		STEERING	ALL			3.500	2.000	I	RE18765	42.32
	860, 860A, 860B	BOWL LIFT	ALL			5.000	2.000	I	RE18743	45.99
EJECTOR GATE		ALL			3.000	1.750	I	RE18752	32.07	
FOLLOW-UP STEERING		ALL			1.750	0.688	I	AU43367	9.20	
SLIDING FLOOR		ALL			5.250	2.500	I	RE18746	49.06	
STEERING		ALL			4.000	2.000	I	RE18738	26.99	
862, 862B		AXLE SUSPENSION	ALL			4.000		I	RE16118	66.90
	BOWL LIFT					2.000	I	RE16119	22.43	
		ALL			5.000	2.000	I	RE18743	45.99	
	EJECTOR GATE	PRIOR-4283			3.000	1.750	I	RE18752	32.07	
	FOLLOW-UP STEERING	4284-UP			3.000	2.000	I	RE19218	37.25	
		ALL (862 ONLY)			1.000	0.500	I	AH65915	8.35	
	SLIDING FLOOR	ALL			5.250	2.500	I	RE18746	49.06	
	STEERING	ALL			4.000	2.000	I	RE18738	26.99	
	5010	SLIDING FLOOR	ALL			4.500	2.000	I	AR105384	44.15
		EJECTOR GATE	ALL			2.500	1.500	I	AR99785	17.60
					2.500	1.500	I	RE19217	25.50	
	BOWL LIFT	ALL			4.000	2.000	I	AR105387	38.06	
	SCARIFIER	ALL			3.000	1.500	I	AR105722	33.66	

All manufacturer's names, part numbers and descriptions are used for reference purposes only. We do not imply that any part shown is the product of these manufacturers.

INDUSTRIAL
SEAL KITS

MOBILE
SEAL KITS

JOHN DEERE

COMPACTOR

JOHN DEERE

Model	Application	Serial Number	Cylinder Group	Arrangement	Bore	Rod	I	Ref. Number RJD-	\$
							M		
646, 646B	BOOM LIFT	ALL			6.250	2.750	I	RE18744	119.50
	BUCKET TILT	PRIOR-223644			4.500	2.250	I	AR105355	60.41
		223645-UP			6.250	2.750	I	RE18744	119.50
	STEERING	PRIOR-247906		right hand cyl.	4.000	3.750	I	AT34932	30.70
		PRIOR-247906		left hand cyl.	4.000	3.750	I	AT34933	30.79
		247907-UP			4.000	3.750	I	AT34932	30.70
646C	MULTI-PURPOSE CLAM	PRIOR-223644		303-UP;drott cyl.	4.000	2.000	I	JIC-G32299	37.61
		223645-UP			4.000	2.000	I	AR105387	38.06
	BOOM LIFT	505144-UP			6.250		I	RE14022	113.20
						2.750	I	RE16991	70.76
	BUCKET TILT	505144-UP			6.250		I	RE14022	113.20
	STEERING	PRIOR-505143			3.750	1.750	I	RE16992	53.77
		505144-UP			3.750		I	AR105320	33.96
							I	RE17099	13.36
						1.750	I	RE16209	26.27
	MULTI-PURPOSE CLAM	ALL			4.000	2.000	I	AR105387	38.06

CRAWLER EXCAVATOR

70	ARM		TH105922		100.00	60.00	M	TH106099	151.47
	BLADE		TH105913		90.00	55.00	M	TH110663	88.52
	BOOM		TH105921		115.00	65.00	M	TH111701	146.45
	BUCKET		TH105901		90.00	55.00	M	TH106853	201.33
70D	OFFSET BOOM		TH106736		110.00	60.00	M	TH106874	101.49
	OFFSET BOOM ARM		TH105901		100.00	60.00	M	TH106099	151.47
			TH106735						
	ARM	ALL	TH110528		100.00	60.00	M	TH110662	79.48
			TH110645						
80	BLADE	ALL	TH110626		90.00	55.00	M	TH110663	88.52
	BOOM	ALL	TH110527		115.00	65.00	M	TH110661	127.11
	BUCKET	ALL	TH110529		90.00	55.00	M	TH110663	88.52
	OFFSET	ALL	TH110644		110.00	60.00	M	TH106874	101.49
110	ARM	ALL	AP36041		95.00	60.00	M	AT200549	127.06
	BOOM	ALL	AP36040		115.00	65.00	M	AT200548	168.47
	BUCKET	ALL	AT250786		85.00	55.00	M	AT200550	133.96
120	BUCKET	ALL	AH148041		95.00	65.00	M	AH150595	176.95
120	ARM	ALL	AH149792		110.00	80.00	M	AH149796	316.01
	BOOM (R & L)	ALL	AH153168,		105.00	70.00	M	AH151107	260.97
			AH153169						
	BUCKET	ALL	AH148041		95.00	65.00	M	AH150595	176.95

All manufacturer's names, part numbers and descriptions are used for reference purposes only. We do not imply that any part shown is the product of these manufacturers.

INDUSTRIAL SEAL KITS

MOBILE SEAL KITS

JOHN DEERE

JOHN DEERE

CRAWLER EXCAVATOR

Model	Application	Serial Number	Cylinder Group	Component	Bore	Rod	I	Ref. Number RJD-	\$
							M		
160 LC	ARM	ALL	AH155022		115.00	85.00	M	AH155025	266.73
	BOOM (R & L)	ALL	AH155042,		110.00	80.00	M	AH155045	290.25
		ALL	AH155051						
	BUCKET	ALL	AH155037		105.00	75.00	M	AH155040	390.62
190E	ARM		AT200453		95.00	60.00	M	AT200549	127.06
	BLADE		AT200491		80.00	50.00	M	AT200574	120.26
	BOOM		AT200542		115.00	65.00	M	AT200548	168.47
	BUCKET		AT182460		85.00	55.00	M	AT200550	133.96
	OFFSET BOOM		AT200507		105.00	60.00	M	AT200573	127.81
	OFFSET BOOM ARM		AT200518		95.00	60.00	M	AT200549	127.06
200 LC	ARM	ALL	AH148451		130.00	95.00	M	AH148453	295.91
	BOOM (R & L)	ALL	AH148782, AH148792		120.00	85.00	M	AH148785	246.16
	BUCKET	ALL	AH148761		110.00	75.00	M	AH148776	265.92
230 LC	ARM	ALL	AT154865		135.00	100.00	M	AT183658	154.24
				BUSHING		100.00	M	AT131414	41.35
				WEAR RING	135.00		M	TH110033	29.34
				WEAR RING	135.00		M	AT154718	15.51
	BOOM (R & L)	ALL	AT154864		125.00	90.00	M	AT154867	201.39
				BUSHING		90.00	M	AT154779	26.57
				WEAR RING	125.00		M	AT154700	52.52
				WEAR RING	125.00		M	AT154735	11.28
	BUCKET	ALL	AT182459		125.00	85.00	M	AT181250	118.23
				BUSHING		85.00	M	AT154778	27.55
				WEAR RING	125.00		M	AT154735	11.28
				WEAR RING	125.00		M	AT154700	52.52
290D	ARM	ALL	AT130515		105.00	70.00	M	AT130601	134.74
	BOOM	ALL	AT130512, AT130513		95.00	65.00	M	AT130600	116.90
	BUCKET	ALL	AT130514		95.00	60.00	M	AT130602	99.84
330 LC	BUCKET	ALL	AT250263		145.00	95.00	M	AT181792	133.56
				BUSHING		95.00	M	AT131420	35.21
				WEAR RING	145.00				M
				WEAR RING	145.00		M	TH110063	17.98
				WEAR RING	145.00		M	TH110062	32.09
370	BUCKET	ALL	AT250263		145.00	95.00	M	AT181792	133.56
				BUSHING		95.00	M	AT131420	35.21
				WEAR RING	145.00		M	TH110063	17.98
				WEAR RING	145.00		M	TH110062	32.09

All manufacturer's names, part numbers and descriptions are used for reference purposes only. We do not imply that any part shown is the product of these manufacturers.

INDUSTRIAL SEAL KITS

MOBILE SEAL KITS

JOHN DEERE

CRAWLER EXCAVATOR

JOHN DEERE

Model	Application	Serial Number	Cylinder Group	Component	Bore	Rod	I	Ref. Number RJD-	\$			
							M					
450 LC	BUCKET LONG ARM	PRIOR-803512 803513-UP ALL ALL ALL	AT182461		145.00	95.00	M	AT201185	232.68			
					145.00	95.00	M	AT181792	133.56			
						95.00	M	AT131420	35.21			
					145.00		M	TH110063	17.98			
					145.00		M	TH110062	32.09			
490D	ARM	ALL	TH109346	BUSHING	115.00	80.00	M	TH109366	118.32			
				WEAR RING		80.00	M	T108041	24.80			
				WEAR RING	115.00		M	TH109356	9.77			
	BOOM	ALL	TH109307	WEAR RING	115.00		M	TH109357	19.96			
				BUSHING	105.00	75.00	M	TH109339	103.38			
490E	BUCKET	ALL	TH109368	BUSHING	105.00		M	TH109324	47.14			
				WEAR RING	105.00		M	TH109323	3.38			
					95.00	65.00	M	TH109390	107.31			
				BUSHING		65.00	M	TH109372	17.23			
				WEAR RING	95.00		M	TH109378	18.61			
				WEAR RING	95.00		M	TH109377	8.11			
				ARM	ALL	AT154402	BUSHING	110.00	80.00	M	AT177556	199.55
							WEAR RING		80.00	M	T108041	24.80
							WEAR RING	110.00		M	AT153936	9.63
				BOOM (R & L)	ALL	AT154396,	WEAR RING	110.00		M	AT153830	39.02
BUSHING	105.00	70.00	M				AT176822	143.61				
495D	BUCKET	ALL	AT154399	BUSHING		70.00	M	AT133645	19.45			
				WEAR RING	105.00		M	TH109323	3.38			
				WEAR RING	105.00		M	TH109324	47.14			
					95.00	65.00	M	AT176737	154.24			
				BUSHING		65.00	M	TH109372	17.23			
				WEAR RING	95.00		M	TH109377	8.11			
				WEAR RING	95.00		M	TH109378	18.61			
590D	ARM	ALL	AT127253	BUSHING	105.00	75.00	M	TH109339	103.38			
				BUSHING		75.00	M	TH109311	21.52			
				WEAR RING	105.00		M	TH109324	47.14			
				WEAR RING	105.00		M	TH109323	3.38			
	BUCKET	ALL	AT182453	BUSHING	95.00	65.00	M	TH109390	107.31			
				BUSHING		65.00	M	TH109372	17.23			
				WEAR RING	95.00		M	TH109378	18.61			
BOOM (R & L)	ALL	AT127249	AT127250, AT127251	WEAR RING	95.00		M	TH109377	8.11			
				BUSHING	120.00	85.00	M	AT192075	102.77			
				BUSHING		85.00	M	T108019	27.55			
				WEAR RING	120.00		M	TH104923	23.18			
				WEAR RING	120.00		M	T108046	1.34			
				115.00	80.00	M	AT194335	215.09				
				80.00	80.00	M	T108041	24.80				

All manufacturer's names, part numbers and descriptions are used for reference purposes only. We do not imply that any part shown is the product of these manufacturers.

INDUSTRIAL SEAL KITS

MOBILE SEAL KITS

JOHN DEERE

JOHN DEERE

CRAWLER EXCAVATOR

INDUSTRIAL
SEAL KITS

MOBILE
SEAL KITS

JOHN DEERE

Model	Application	Serial Number	Cylinder Group	Component	Bore	Rod	I	Ref. Number RJD-	\$
							M		
690, 690A	BOOM	PRIOR-749			4.500	2.750	I	RE18760	55.42
		750-UP	AR89435		5.000	2.750	I	AR105309	61.65
		ALL	RE21394			2.750	I	RE21395	107.53
	BUCKET CROWD (ARM)	ALL			5.500	3.250	I	AR105312	67.93
		all with AU43243, AT32257 cylinder	AT41907		5.500	3.250	I	AR105312	67.93
690B		all with AT41907 cyl. field replacement check piston style	AT41907		5.500	3.250	I	AR105313	66.08
					5.500		I	RE15907	104.48
						3.250	I	RE15906	38.11
		BOOM	PRIOR-501306	AR89435	5.000	2.750	I	AR105309	61.65
		501307-UP	RE12257		5.000		I	RE15905	85.68
	BUCKET	all with RE21394 cyl. field replacement check piston style			5.000	2.750	I	RE17342	53.55
						2.750	I	RE15905	85.68
						2.750	I	RE21395	107.53
		PRIOR-501306	RE11341	5.500	3.250	I	AR105312	67.93	
		501307-UP	RE21400	5.500		I	RE14102	104.48	
CROWD (ARM)	all with RE21400 cyl. field replacement check piston style			5.500	3.250	I	RE15906	38.11	
					3.250	I	RE21401	73.74	
				5.500		I	RE14102	104.48	
	PRIOR-501306	AT41907	5.500	3.250	I	AR105313	66.08		
	501307-UP	RE21406	5.500		I	RE15907	104.48		
690C, 690 CH	ANGLING BOOM	ALL	AU13861		3.500	1.500	I	AR105432	32.25
		PRIOR-509184	RE18949		5.000		I	RE15905	85.68
		509185-UP	RE21394		5.000		I	RE15905	85.68
	BUCKET					2.750	I	RE21395	107.53
		PRIOR-509184			5.500		I	RE14102	104.48
						3.250	I	RE15906	38.11
		509185-UP	RE21400	5.500		I	RE14102	104.48	
						3.250	I	RE21401	73.74
	CROWD (ARM)	PRIOR-509184			5.500		I	RE15907	104.48
						3.250	I	RE15906	38.11
	LIFT TILT	509185-UP	RE21406		5.500		I	RE15907	104.48
						3.250	I	RE21401	73.74
ALL		AU13861		3.500	1.500	I	AR105432	32.25	
ALL		AU13847		3.500	1.500	I	AR105432	32.25	

All manufacturer's names, part numbers and descriptions are used for reference purposes only. We do not imply that any part shown is the product of these manufacturers.

CRAWLER EXCAVATOR

JOHN DEERE

Model	Application	Serial Number	Cylinder Group	Component	Bore	Rod	I	Ref. Number RJD-	\$		
							M				
690B	ARM BOOM	ALL	AT114837	BUSHING	135.00	95.00	M	AT114831	157.43		
		ALL	AT112705		125.00	85.00	M	AT114822	131.19		
	BUCKET	ALL	AT114838		120.00	80.00	M	T108019	27.55		
		ALL	AT182451		120.00	80.00	M	AT114836	120.73		
					120.00		M	T108041	24.80		
					120.00		M	TH104923	23.18		
690E-LC	ARM	ALL	AH140590,	BUSHING	130.00	95.00	M	AH144595	245.95		
			AH144677					H146481	29.92		
	BOOM (INCLUDES WEAR RINGS)		AH140588,		120.00	85.00		M	AH144594	294.62	
			AH140589,		85.00	85.00		M	H146480	27.55	
	BUCKET (INCLUDES WEAR RINGS)		AH144671,		110.00	75.00		M	AH144593	275.06	
			AH144674						H146479	21.52	
BUCKET (SLF)	ALL	AT159611	95.00	65.00	M	AT176737	154.24				
				65.00	M	TH109372	17.23				
790	ARM BOOM		TH106316	BUSHING	150.00	105.00	M	TH102827	172.47		
			TH106315		140.00	95.00	M	TH102798	178.47		
	BUCKET		TH102467		140.00	90.00	M	TH102845	157.06		
			AT182467								
			TH106317								
790D	ARM	ALL	TH110043,	WEAR RING	145.00	100.00	M	TH110064	173.89		
			AT131428		145.00			TH110063	17.98		
	ARM (SLF)		ALL		AT114837	145.00		M	TH110062	32.09	
						135.00		95.00	M	AT114831	157.43
	BOOM		ALL		AT131425	BUSHING		95.00	M	T108050	29.92
						WEAR RING		135.00	90.00	M	TH110035
BUCKET	ALL	AT131430	WEAR RING	135.00	M	TH110033	29.34				
				135.00	90.00	M	TH110035	162.25			
790E, 790E LC	ARM	PRIOR-HJ900100 HJ900101-UP	AT154865	WEAR RING	135.00	100.00	M	AT154868	146.81		
			AT154865		135.00			100.00	M	AT183658	154.24
					135.00			100.00	M	AT217906	256.49
	ARM (SLF)	ALL	AT154865	BUSHING	100.00	M	AT131414	41.35			
				WEAR RING	135.00	M	AT154718	15.51			
				WEAR RING	135.00	M	TH110033	29.34			
		AT161589	145.00	105.00	M	AT176734	227.67				
			BUSHING	105.00	M	AT161596	35.28				
			WEAR RING	145.00	M	AT161608	39.89				
			WEAR RING	145.00	M	AT161607	13.64				

All manufacturer's names, part numbers and descriptions are used for reference purposes only. We do not imply that any part shown is the product of these manufacturers.

INDUSTRIAL SEAL KITS

MOBILE SEAL KITS

JOHN DEERE

JOHN DEERE

CRAWLER EXCAVATOR

Model	Application	Serial Number	Cylinder Group	Component	Bore	Rod	I	Ref. Number RJD-	\$		
							M				
	BOOM	ALL	AT154864	BUSHING	125.00	90.00	M	AT154867	201.39		
				WEAR RING		90.00	M	AT154779	26.57		
	BUCKET		AT182459	WEAR RING	125.00		M	AT154700	52.52		
				WEAR RING	125.00		M	AT154735	11.28		
	BUCKET (SLF)		AT159611	WEAR RING	125.00	85.00	M	AT181250	118.23		
				BUSHING		85.00	M	AT154778	27.55		
				WEAR RING	125.00		M	AT154700	52.52		
				WEAR RING	125.00		M	AT154735	11.28		
				WEAR RING	95.00	65.00	M	AT176737	154.24		
				BUSHING		65.00	M	TH109372	17.23		
	792		ARM BOOM	PRIOR-803512	AT205925	WEAR RING	95.00		M	TH109377	8.11
						WEAR RING	95.00		M	TH109378	18.61
BUCKET		TH106313	WEAR RING			160.00	110.00	M	TH103347	197.22	
			TH102340			WEAR RING	150.00	100.00	M	AT194457	172.80
792D, 792D LC	ARM BOOM	703550-UP	AT131416	TH106312	150.00	95.00	M	TH103357	173.17		
				TH182466							
	BUCKET			TH106314	BUSHING	150.00	105.00	M	TH111854	229.94	
					WEAR RING	145.00	95.00	M	TH111625	216.50	
					BUSHING		95.00	M	AT131420	35.21	
					WEAR RING	145.00		M	TH110062	32.09	
892D LC	ARM	ALL	TH111616	WEAR RING	145.00	95.00	M	TH111625	216.50		
				WEAR RING	145.00		M	AT181792	133.56		
	BUCKET			TH111616	BUSHING	145.00	95.00	M	AT131420	35.21	
					WEAR RING	145.00		M	TH110062	32.09	
					WEAR RING	165.00	110.00	M	TH111627	256.13	
					WEAR RING	165.00	110.00	M	AT181799	192.17	
	ARM (SLF) BOOM, LEFT	ALL	AT131413	BUSHING	165.00	110.00	M	AT131417	67.06		
				WEAR RING	165.00		M	TH111273	21.15		
	BOOM, RIGHT			TH111616	WEAR RING	165.00		M	TH111274	67.99	
					WEAR RING	165.00	110.00	M	TH111627	256.13	
	BUCKET			ALL	WEAR RING	165.00	110.00	M	AT181799	192.17	
					WEAR RING	165.00	110.00	M	AT131417	67.06	
BUSHING		165.00			M	TH111273	21.15				
WEAR RING		165.00			M	TH111274	67.99				
	ARM (SLF) BOOM, LEFT	ALL	AT130835	WEAR RING	150.00	105.00	M	TH111854	229.94		
				WEAR RING	145.00	100.00	M	TH111626	218.28		
	BOOM, RIGHT			AT131413	WEAR RING	145.00	100.00	M	AT181794	157.95	
					WEAR RING	145.00	100.00	M	TH111626	218.28	
	BUCKET			ALL	WEAR RING	145.00	100.00	M	AT181794	157.95	
					WEAR RING	145.00	95.00	M	TH111625	216.50	
WEAR RING		145.00	95.00		M	AT181792	133.56				
BUSHING			95.00		M	AT131420	35.21				
	BUCKET	ALL	AT182455	WEAR RING	145.00		M	TH110062	32.09		
				WEAR RING	145.00		M	TH110063	17.98		
				WEAR RING	145.00		M				
				WEAR RING	145.00		M				

All manufacturer's names, part numbers and descriptions are used for reference purposes only. We do not imply that any part shown is the product of these manufacturers.

INDUSTRIAL SEAL KITS

MOBILE SEAL KITS

JOHN DEERE

CRAWLER EXCAVATOR

JOHN DEERE

Model	Application	Serial Number	Cylinder Group	Component	Bore	Rod	I	Ref. Number RJD-	\$	
							M			
892E LC	ARM	PRIOR-703549 703550-UP ALL	AT201181	BUSHING WEAR RING WEAR RING	165.00	110.00	M	AT201184	288.39	
					165.00	110.00	M	AT181799	192.17	
						110.00	M	AT131417	67.06	
					165.00		M	TH111273	21.15	
					165.00		M	TH111274	67.99	
	BOOM (LH)	PRIOR-603426 603427-UP	AT201180		145.00	100.00	M	TH111626	218.28	
	BOOM (RH)	PRIOR-503424 503425-UP	AT201180		145.00	100.00	M	TH111626	218.28	
	BOOM	ALL	AT201180	BUSHING WEAR RING WEAR RING	145.00	100.00	M	AT181794	157.95	
						100.00	M	AT181794	157.95	
						100.00	M	AT131414	41.35	
145.00						M	TH110062	32.09		
145.00						M	TH110063	17.98		
992D, 992D LC	BUCKET	PRIOR-803512 803513-UP ALL	AT182461, AT201182	BUSHING WEAR RING WEAR RING	145.00	95.00	M	AT201185	232.68	
					145.00	95.00	M	AT181792	133.56	
						95.00	M	AT131420	35.21	
					145.00		M	TH110062	32.09	
					145.00		M	TH110063	17.98	
	BUCKET (SLF)	011000-UP	AT168750		100.00	65.00	M	AT168764	136.28	
					BUSHING WEAR RING WEAR RING	100.00	65.00	M	TH109372	17.23
						100.00		M	TH111727	9.04
						100.00		M	TH111728	35.73
						190.00	130.00	M	AT132412	265.32
190.00						130.00	M	AT132412	265.32	
BOOM		AT131954 AT132280		170.00	115.00	M	AT132411	247.72		
BUCKET 2.9M OR 3.9M ARM		AT132280 AT182457 AT132280		170.00	115.00	M	AT132411	247.72		
BUCKET 4.9M ARM		AT182455		145.00	95.00	M	AT181792	133.56		
992E, 992E LC	BUCKET 4.9M ARM	PRIOR-803512 803513-UP ALL	AT182461	BUSHING WEAR RING WEAR RING	145.00	95.00	M	AT181792	133.56	
					145.00	95.00	M	AT131420	35.21	
						95.00	M	AT131420	35.21	
					145.00		M	TH110062	32.09	
					145.00		M	TH110063	17.98	
					BUSHING WEAR RING WEAR RING	145.00	95.00	M	AT201185	232.68
						145.00	95.00	M	AT181792	133.56
							95.00	M	AT131420	35.21
						145.00		M	TH110062	32.09
						145.00		M	TH110063	17.98

All manufacturer's names, part numbers and descriptions are used for reference purposes only. We do not imply that any part shown is the product of these manufacturers.

INDUSTRIAL SEAL KITS

MOBILE SEAL KITS

JOHN DEERE

JOHN DEERE

FELLER-BUNCHER

INDUSTRIAL
SEAL KITS

MOBILE
SEAL KITS

JOHN DEERE

Model	Application	Serial Number	Cylinder Group	Arrangement	Bore	Rod	I	Ref. Number RJD-	\$
							M		
493D	ARM	ALL	TH109346		115.00	80.00	M	TH109366	118.32
	BOOM	ALL	TH109307		105.00	75.00	M	TH109339	103.38
	BUCKET	ALL	TH109368		95.00	65.00	M	TH109390	107.31
653E	ARM		AH142919		120.00	85.00	M	AH144594	294.62
	BOOM		AH142577		120.00	85.00	M	AH144594	294.62
	HEAD TILT		AH144660		110.00	75.00	M	AH144593	275.06
693B	BOOM	PRIOR-501444 501445-UP			5.000	2.750	I	AR105309	61.65
					5.000		I	RE15905	85.68
						2.750	I	RE17342	53.55
		501445-UP, USE			5.000		I	RE15905	85.68
	CROWD	WITH RE21394 CYL. PRIOR-501444 501445-UP				2.750	I	RE21395	107.53
					5.500	I	AR105313	66.08	
					5.500	I	RE15907	104.48	
	MULTI-STEM	ALL			4.000	1.750	I	AT55695	23.07
	SHEAR	ALL			6.500	2.500	I	AR105280	122.11
	SHEAR TILT	ALL			4.500	2.250	I	AR105355	60.41
	TILT	PRIOR-501444 501445-UP			5.500	3.250	I	AR105312	67.93
					5.500		I	RE14102	104.48
		501307-UP, USE			5.500		I	RE15906	38.11
		WITH RE21400 CYL.				3.250	I	RE14102	104.48
						3.250	I	RE21401	73.74
693C	BOOM	PRIOR-509184 509185-UP			5.000		I	RE15905	85.68
						2.750	I	RE17342	53.55
					5.000		I	RE15905	85.68
	HEAD TILT	PRIOR-509184				2.750	I	RE21395	107.53
					5.500	I	RE14102	104.48	
						3.250	I	RE15906	38.11
		509185-UP			5.500		I	RE14102	104.48
						3.250	I	RE21401	73.74
693D	ARM	ALL	AT112705		125.00	85.00	M	AT114822	131.19
	BOOM	ALL	AT112705		125.00	85.00	M	AT114822	131.19
	BUCKET	ALL	AT114838		120.00	80.00	M	AT114836	120.73
743, 743A	AXLE STABILIZER	ALL			4.500	2.000	I	AR105515	79.15
	DOZER LIFT	ALL			5.000	2.000	I	RE18743	45.99
		field replacement check piston style			5.000		I	RE15905	85.68
						2.000	I	RE30817	27.35
	FEED ROLL	ALL			2.500	1.250	I	AR105453	30.19
	GRAPPLE	ALL			4.000	1.750	I	AT55695	23.07
	LOG ACCUMULATOR	ALL			3.000	1.750	I	RE18751	31.00
	MAIN LIFT	ALL			6.250	3.250	I	RE18762	116.81
	SECONDARY LIFT	ALL			4.500	2.500	I	RE18760	55.42
	SHEAR	ALL			6.500	2.500	I	AR105280	122.11

All manufacturer's names, part numbers and descriptions are used for reference purposes only. We do not imply that any part shown is the product of these manufacturers.

FELLER-BUNCHER

JOHN DEERE

Model	Application	Serial Number	Cylinder Group	Arrangement	Bore	Rod	I	Ref. Number RJD-	\$
							M		
793D	STEERING	ALL			4.400	4.250	I	RE19224	40.58
	TILT	ALL			4.500	2.250	I	AR105355	60.41
	ARM	ALL	AT131425		135.00	90.00	M	TH110035	162.25
	BOOM	ALL	AT131425		135.00	90.00	M	TH110035	162.25
	BUCKET	ALL	AT131430		135.00	90.00	M	TH110035	162.25

SKIDDER

340D	BLADE LIFT	ALL			3.500		I	RE16076	64.86		
						1.500	I	RE14088	21.46		
	STEERING	ALL			2.750	1.750	I	AR105537	36.23		
440, 440A, 440B	BACKHOE BOOM	ALL			4.500	2.250	I	RE10640	45.25		
	BACKHOE BUCKET	ALL			3.500	2.250	I	RE18757	44.42		
	BACKHOE CROWD	ALL			4.000	2.000	I	AR105387	38.06		
	BACKHOE STABILIZER	ALL			93, 93A	3.500	1.750	I	RE18754	41.24	
					95, 95A	3.000	1.750	I	RE18751	31.00	
	FRONT BLADE	ALL			3.000	1.500	I	AR105722	33.66		
	STEERING	ALL			right hand cyl.	3.000	2.625	I	AT38068	32.08	
				left hand cyl.	3.000	2.625	I	AT39022	17.67		
440C SKIDDER/ GRAPPLE SKIDDER	BLADE LIFT	PRIOR-282545 282546-UP			3.000	1.500	I	AR105722	33.66		
					3.000		I	RE14082	59.36		
						1.500	I	RE14088	21.46		
	BOOM	ALL				4.000	2.000	I	AR105387	38.06	
							4.000	I	RE16118	66.90	
							2.000	I	RE16119	22.43	
GRAPPLE	PRIOR-405023 405024-UP				5.250	2.250	I	AR105346	51.18		
					5.250		I	RE14100	90.57		
						2.250	I	RE14208	32.09		
STEERING	PRIOR-400823 400824-UP				3.250	3.000	I	RE19216	36.76		
					2.750	1.750	I	AR105537	36.23		
440D, 448 SKIDDER/ GRAPPLE SKIDDER	ARCH & BOOM	ALL			448D	4.000		I	RE16118	66.90	
					448D		2.000	I	RE16119	22.43	
	BLADE LIFT	ALL				3.500		I	RE16076	64.86	
							1.500	I	RE14088	21.46	
	GRAPPLE	PRIOR-501505 501506-UP				448D	5.250	2.250	I	AR105346	51.18
						448D	5.250		I	RE14100	90.57
STEERING	ALL				448D		2.250	I	RE14208	32.09	
						2.750	1.750	I	AR105537	36.23	

All manufacturer's names, part numbers and descriptions are used for reference purposes only. We do not imply that any part shown is the product of these manufacturers.

INDUSTRIAL SEAL KITS

MOBILE SEAL KITS

JOHN DEERE

JOHN DEERE

SKIDDER

INDUSTRIAL
SEAL KITS

MOBILE
SEAL KITS

JOHN DEERE

Model	Application	Serial Number	Cylinder Group	Arrangement	Bore	Rod	I	Ref. Number RJD-	\$	
							M			
540A	FRONT BLADE	PRIOR-119500,			3.000	1.500	I	AR105722	33.66	
		PRIOR-40399			3.500	1.500	I	AR105432	32.25	
	STEERING	119501-UP,			3.250	3.000	I	AT39023	39.32	
		40400-UP			3.250	3.000	I	AT35142	55.04	
		ALL		left hand cyl.						
540B	BLADE LIFT	PRIOR-500808			3.500	1.500	I	AR105432	32.25	
		500809-UP			3.500		I	RE16076	64.86	
	BOOM	PRIOR-500808	500809-UP			1.500		I	RE14088	21.46
						4.000	2.000	I	AR105387	38.06
						4.000		I	RE16118	66.90
	GRAPPLE	PRIOR-501541	501542-UP		5.250	2.000	I	RE16119	22.43	
					5.250	2.250	I	AR105346	51.18	
	STEERING	PRIOR-400571	400572-UP		2.250	3.000	I	RE14208	32.09	
					3.250	3.000	I	RE19216	36.76	
					2.750	1.750	I	AR105537	36.23	
540D, 548D GRAPPLE SKIDDER	BLADE LIFT	ALL			3.500		I	RE16076	64.86	
	BOOM	ALL		548D	4.000	1.500	I	RE14088	21.46	
				548D	2.000		I	RE16118	66.90	
	GRAPPLE	ALL		548D	5.250		I	RE16119	22.43	
640 SKIDDER/ GRAPPLE SKIDDER	STEERING	ALL		548D	2.250	3.000	I	RE14208	32.09	
					2.750	1.750	I	AR105537	36.23	
	ARCH & BOOM	PRIOR-500986	500987-UP			4.000	2.000	I	AR105387	38.06
						4.000		I	RE16118	66.90
	BLADE LIFT	PRIOR-500986	500987-UP			2.000		I	RE16119	22.43
						4.000	1.750	I	RE10223	33.75
						4.000		I	RE16118	66.90
	BOOM- SINGLE FUNCTION	ALL				1.750		I	RE30874	24.43
						4.000		I	RE14567	68.78
	GRAPPLE	PRIOR-502132	502133-UP			2.000		I	RE16119	22.43
					5.500	2.500	I	RE10224	66.43	
	STEERING TILT	ALL	PRIOR-503561	503562-UP		5.500		I	RE14102	104.48
						5.500	2.500	I	RE17345	39.32
						3.625	3.375	I	AU42200	27.36
						4.500	2.250	I	AR105355	60.41
						4.500		I	RE14094	69.40
					2.250		I	RE14208	32.09	

All manufacturer's names, part numbers and descriptions are used for reference purposes only. We do not imply that any part shown is the product of these manufacturers.

Remsa [KITS]

SKIDDER

JOHN DEERE

Model	Application	Serial Number	Cylinder Group	Arrangement	Bore	Rod	I	Ref. Number RJD-	\$					
							M							
640D, 648 GRAPPLE SKIDDER	ARCH & BOOM	ALL		648D	4.000		I	RE16118	66.90					
				648D		2.000	I	RE16119	22.43					
	BLADE SHIFT	ALL				4.000		I	RE16118	66.90				
								I	RE30874	24.43				
	BOOM-SINGLE FUNCTION	ALL			648D	4.000		I	RE14567	68.78				
					648D		2.000	I	RE16119	22.43				
	GRAPPLE	ALL			648D	5.500		I	RE14102	104.48				
								I	RE17345	39.32				
					STEERING	ALL				3.000		I	RE16208	58.57
												I	RE16209	26.27
TILT	ALL				4.500		I	RE14094	69.40					
							I	RE14208	32.09					
740, 740A	ARCH & BOOM	PRIOR-708051 708052-UP		740, 740A	4.250	2.000	I	AR105391	40.89					
				740A	4.250		I	RE17458	70.76					
				740A		2.000	I	RE30817	27.35					
	GRAPPLE	PRIOR-708051 708052-UP		740, 740A	6.250	2.750	I	RE18744	119.50					
				740A	6.250		I	RE14104	107.53					
				740A		2.750	I	RE17342	53.55					
	LIFT	PRIOR-708051 708052-UP		740, 740A	5.000	2.000	I	RE18743	45.99					
				740A	5.000		I	RE15905	85.68					
				740A		2.000	I	RE30817	27.35					
	STEERING	ALL				4.400	4.250	I	RE19224	40.58				
TILT	PRIOR-708051		740, 740A	4.500	2.250	I	AR105355	60.41						
3605 GRAPPLE	BOOM GRAPPLE	10201-UP 10201-UP			3.500	1.750	I	RE18754	41.24					
						1.750	I	RE18754	41.24					

All manufacturer's names, part numbers and descriptions are used for reference purposes only. We do not imply that any part shown is the product of these manufacturers.

INDUSTRIAL
SEAL KITS

MOBILE
SEAL KITS

JOHN DEERE

JOHN DEERE

KIT LISTING

Ref. Number	Desc.	Bore	Rod	\$	Ref. Number	Desc.	Bore	Rod	\$
RJD-0656604	SEAL KIT	100.00	50.00	182.80	RJD-4640107	SEAL KIT	150.00	105.00	396.01
RJD-0656714	SEAL KIT	80.00	50.00	104.35	RJD-4640108	SEAL KIT	145.00	95.00	346.17
RJD-0735309	SEAL KIT	95.00	55.00	136.27	RJD-4640118	SEAL KIT	170.00	115.00	331.41
RJD-0735609	SEAL KIT	75.00	45.00	129.67	RJD-4649745	SEAL KIT	135.00	95.00	131.46
RJD-0744105	SEAL KIT	60.00	35.00	63.13	RJD-4660570	SEAL KIT	145.00	95.00	157.52
RJD-0744408	SEAL KIT	75.00	45.00	145.93	RJD-4661594	SEAL KIT	135.00	95.00	170.70
RJD-0744707	SEAL KIT	65.00	40.00	110.01	RJD-4662069	SEAL KIT	125.00	90.00	159.48
RJD-0744808	SEAL KIT	65.00	45.00	95.59	RJD-4662895	SEAL KIT	105.00	70.00	128.19
RJD-0745308	SEAL KIT	95.00	50.00	97.84	RJD-4S00961	SEAL KIT	170.00	115.00	182.39
RJD-0843613	SEAL KIT	80.00	50.00	91.04	RJD-905000	Track Adjuster Kit	N/A	N/A	18.44
RJD-0843808	SEAL KIT	100.00	50.00	63.15	RJD-905001	Track Adjuster Kit	N/A	N/A	47.70
RJD-0843907	SEAL KIT	100.00	55.00	78.14	RJD-905002	Track Adjuster Kit	N/A	N/A	20.09
RJD-0844705	SEAL KIT	75.00	45.00	57.38	RJD-905003	Track Adjuster Kit	N/A	N/A	31.84
RJD-0844807	SEAL KIT	95.00	55.00	116.94	RJD-9180582	SEAL KIT	170	115.000	197.42
RJD-0847204	SEAL KIT	75.00	40.00	69.95	RJD-9207059	SEAL KIT	150	105.000	125.16
RJD-0849304	SEAL KIT	75.00	45.00	77.12	RJD-AH134477	SEAL KIT	N/A	63.00	87.32
RJD-0849503	SEAL KIT	60.00	40.00	64.73	RJD-AH134955	SEAL KIT	90.00	N/A	11.85
RJD-0850309	SEAL KIT	80.00	45.00	81.20	RJD-AH137208	SEAL KIT	125.00	N/A	110.60
RJD-RE18751	SEAL KIT	3.000	1.750	25.14	RJD-AH137209	SEAL KIT	140.00	N/A	122.26
RJD-4369943	SEAL KIT	145.00	105.00	219.70	RJD-AH137210	SEAL KIT	160.00	N/A	94.51
RJD-4388027	SEAL KIT	100.00	70.00	256.18	RJD-AH137211	SEAL KIT	180.00	N/A	108.41
RJD-4415584	SEAL KIT	95.00	60.00	106.81	RJD-AH137687	SEAL KIT	100.00	N/A	59.67
RJD-4448396	SEAL KIT	115.00	80.00	154.67	RJD-AH137789	SEAL KIT	2.000	N/A	5.18
RJD-4448397	SEAL KIT	100.00	70.00	123.33	RJD-AH139417	SEAL KIT	2.250	2.250	33.66
RJD-4448398	SEAL KIT	120.00	85.00	144.37	RJD-AH139418	SEAL KIT	4.250	2.250	43.47
RJD-4448399	SEAL KIT	135.00	95.00	170.70	RJD-AH142089	SEAL KIT	N/A	70.00	125.33
RJD-4464984	SEAL KIT	115.00	65.00	111.82	RJD-AH142440	SEAL KIT	N/A	2.50	37.37
RJD-4464985	SEAL KIT	95.00	60.00	89.12	RJD-AH144593	SEAL KIT	110.00	75.00	275.06
RJD-4464986	SEAL KIT	85.00	55.00	85.28	RJD-AH144594	SEAL KIT	120.00	85.00	294.62
RJD-4465736	SEAL KIT	120.00	70.00	119.40	RJD-AH144595	SEAL KIT	130.00	95.00	245.95
RJD-4467379	SEAL KIT	110.00	80.00	168.91	RJD-AH147868	SEAL KIT		45.000	27.43
RJD-4467380	SEAL KIT	120.00	90.00	182.97	RJD-AH148164	SEAL KIT	N/A	50.00	36.28
RJD-4467381	SEAL KIT	105.00	75.00	125.95	RJD-AH148453	SEAL KIT	130.00	95.00	295.91
RJD-4485612	SEAL KIT	125.00	90.00	91.79	RJD-AH148776	SEAL KIT	110.00	75.00	265.92
RJD-4485614	SEAL KIT	130.00	90.00	103.41	RJD-AH148785	SEAL KIT	120.00	85.00	246.16
RJD-4485615	SEAL KIT	135.00	95.00	112.18	RJD-AH148823	SEAL KIT	N/A	32.00	34.99
RJD-4614058	SEAL KIT	65.00	40.00	104.32	RJD-AH149194	SEAL KIT	N/A	40.00	41.99
RJD-4614059	SEAL KIT	85.00	45.00	105.03	RJD-AH149796	SEAL KIT	110.00	80.00	316.01
RJD-4614069	SEAL KIT	75.00	45.00	68.38	RJD-AH149810	SEAL KIT		25.00	41.40
RJD-4622066	SEAL KIT	95.00	45.00	118.85	RJD-AH149813	SEAL KIT	N/A	45.00	50.32
RJD-4622067	SEAL KIT	105.00	50.00	118.17	RJD-AH149814	SEAL KIT	N/A	56.00	45.93
RJD-4631062	SEAL KIT	140.00	105.00	191.90	RJD-AH149815	SEAL KIT	N/A	63.00	50.42
RJD-4634033	SEAL KIT	85.00	50.00	88.50	RJD-AH149842	SEAL KIT	80.00	N/A	56.91
RJD-4634034	SEAL KIT	75.00	45.00	81.18	RJD-AH149843	SEAL KIT	90.00	N/A	56.46
RJD-4634036	SEAL KIT	80.00	50.00	82.96	RJD-AH149844	SEAL KIT	100.00	N/A	71.26
RJD-4639936	SEAL KIT	135.00	95.00	190.69	RJD-AH149845	SEAL KIT	110.00	N/A	89.90
RJD-4639938	SEAL KIT	145.00	100.00	183.19	RJD-AH149846	SEAL KIT	115.00	N/A	100.48
RJD-4639939	SEAL KIT	135.00	90.00	226.60	RJD-AH149847	SEAL KIT	120.00	N/A	108.35

All manufacturer's names, part numbers and descriptions are used for reference purposes only. We do not imply that any part shown is the product of these manufacturers.

INDUSTRIAL SEAL KITS

MOBILE SEAL KITS

JOHN DEERE

Remsa [KITS]

KIT LISTING

JOHN DEERE

Ref. Number	Desc.	Bore	Rod	\$	Ref. Number	Desc.	Bore	Rod	\$
RJD-AH149848	SEAL KIT	125.00	N/A	141.58	RJD-AH212103	SEAL KIT	115.00	N/A	100.48
RJD-AH150595	SEAL KIT	95.00	65.00	176.95	RJD-AH212585	SEAL KIT	110.00	N/A	75.48
RJD-AH151107	SEAL KIT	105.00	70.00	260.97	RJD-AH216299	SEAL KIT	140.00		125.90
RJD-AH151320	SEAL KIT	200.00		156.29	RJD-AH225136	SEAL KIT	120.00	85.00	144.37
RJD-AH151321	SEAL KIT		100.00	145.12	RJD-AH225137	SEAL KIT	15.00	80.00	82.61
RJD-AH151382	SEAL KIT		95.00	118.25	RJD-AH65915	SEAL KIT	1.000	0.500	8.35
RJD-AH153496	SEAL KIT	56.00	32.00	53.82	RJD-AR105272	SEAL KIT	3.000	1.500	21.09
RJD-AH153497	SEAL KIT	63.00	40.00	109.17	RJD-AR105273	SEAL KIT	5.500	2.500	92.06
RJD-AH154570	SEAL KIT	N/A	75.00	57.39	RJD-AR105275	SEAL KIT	5.500	2.500	40.33
RJD-AH155025	SEAL KIT	115.00	85.00	266.73	RJD-AR105280	SEAL KIT	6.500	2.500	122.11
RJD-AH155040	SEAL KIT	105.00	75.00	390.62	RJD-AR105281	SEAL KIT	5.500	2.500	65.81
RJD-AH155045	SEAL KIT	110.00	80.00	290.25	RJD-AR105309	SEAL KIT	5.000	2.750	61.65
RJD-AH156466	SEAL KIT	N/A	70.00	46.34	RJD-AR105312	SEAL KIT	5.500	3.250	67.93
RJD-AH156874	SEAL KIT		80.00	82.93	RJD-AR105313	SEAL KIT	5.500	3.250	66.08
RJD-AH159192	SEAL KIT		95.00	133.96	RJD-AR105320	SEAL KIT	3.750	1.750	33.96
RJD-AH160843	SEAL KIT	2.250	32.00	42.56	RJD-AR105346	SEAL KIT	5.250	2.250	51.18
RJD-AH160844	SEAL KIT	2.250	40.00	40.55	RJD-AR105350	SEAL KIT	N/A	N/A	54.66
RJD-AH161589	SEAL KIT		32.00	39.86	RJD-AR105351	SEAL KIT	4.500	2.250	49.06
RJD-AH161590	SEAL KIT	63.00	N/A	77.13	RJD-AR105352	SEAL KIT	N/A	N/A	41.52
RJD-AH161591	SEAL KIT	56.00		54.40	RJD-AR105353	SEAL KIT	N/A	N/A	44.27
RJD-AH161781	SEAL KIT	100.00	N/A	19.72	RJD-AR105354	SEAL KIT	N/A	N/A	40.76
RJD-AH163670	SEAL KIT	110.00		64.76	RJD-AR105355	SEAL KIT	4.500	2.250	60.41
RJD-AH163671	SEAL KIT	115.00	N/A	90.44	RJD-AR105356	SEAL KIT	5.250	2.250	56.25
RJD-AH163672	SEAL KIT	125.00		96.57	RJD-AR105381	SEAL KIT	3.750	2.000	36.76
RJD-AH163673	SEAL KIT	140.00		111.64	RJD-AR105384	SEAL KIT	4.500	2.000	44.15
RJD-AH167533	SEAL KIT	6.000		51.17	RJD-AR105385	SEAL KIT	5.000	2.000	37.09
RJD-AH167552	SEAL KIT	2.000		5.64	RJD-AR105387	SEAL KIT	4.000	2.000	38.06
RJD-AH168977	SEAL KIT	2.250	36.00	44.99	RJD-AR105391	SEAL KIT	4.250	2.000	40.89
RJD-AH173444	SEAL KIT	135.00	95.00	187.44	RJD-AR105392	SEAL KIT	3.500	2.000	33.32
RJD-AH173451	SEAL KIT	115.00	80.00	262.51	RJD-AR105393	SEAL KIT	4.000	2.000	48.10
RJD-AH173457	SEAL KIT	120.00	85.00	246.16	RJD-AR105402	SEAL KIT	3.250	1.750	33.67
RJD-AH202070	SEAL KIT	70.00	N/A	7.73	RJD-AR105403	SEAL KIT	2.750	1.750	36.39
RJD-AH202290	SEAL KIT	90.00		13.18	RJD-AR105404	SEAL KIT	N/A	N/A	30.10
RJD-AH207190	SEAL KIT		85.00	87.09	RJD-AR105407	SEAL KIT	N/A	N/A	37.83
RJD-AH207243	SEAL KIT		115.00	139.54	RJD-AR105408	SEAL KIT	4.000	1.750	39.08
RJD-AH209022	SEAL KIT	3.000	50.00	74.48	RJD-AR105410	SEAL KIT	N/A	N/A	30.97
RJD-AH210287	SEAL KIT	110.00		75.48	RJD-AR105412	SEAL KIT	4.000	1.750	52.66
RJD-AH210484	SEAL KIT	N/A	50.00	34.88	RJD-AR105429	SEAL KIT	3.250	1.500	30.49
RJD-AH212087	SEAL KIT	63.00		77.13	RJD-AR105430	SEAL KIT	2.750	1.500	28.25
RJD-AH212088	SEAL KIT	2.500		11.25	RJD-AR105432	SEAL KIT	3.500	1.500	32.25
RJD-AH212089	SEAL KIT	70.00	N/A	31.63	RJD-AR105441	SEAL KIT	4.500	2.500	63.14
RJD-AH212090	SEAL KIT	70.00	N/A	10.52	RJD-AR105443	SEAL KIT	5.500	2.500	90.34
RJD-AH212091	SEAL KIT	80.00		71.65	RJD-AR105453	SEAL KIT	2.500	1.250	30.19
RJD-AH212092	SEAL KIT	80.00		31.00	RJD-AR105454	SEAL KIT	3.000	1.250	32.41
RJD-AH212096	SEAL KIT	90.00	N/A	56.46	RJD-AR105515	SEAL KIT	4.500	2.000	79.15
RJD-AH212097	SEAL KIT	90.00		13.33	RJD-AR105537	SEAL KIT	2.750	1.750	36.23
RJD-AH212101	SEAL KIT	100.00	N/A	67.82	RJD-AR105722	SEAL KIT	3.000	1.500	33.66
RJD-AH212102	SEAL KIT	100.00		34.63	RJD-AR105932	SEAL KIT	3.500	2.000	33.32

All manufacturer's names, part numbers and descriptions are used for reference purposes only. We do not imply that any part shown is the product of these manufacturers.

INDUSTRIAL SEAL KITS

MOBILE SEAL KITS

JOHN DEERE

JOHN DEERE

KIT LISTING

Ref. Number	Desc.	Bore	Rod	\$	Ref. Number	Desc.	Bore	Rod	\$
RJD-AR95509	SEAL KIT	7.500	3.750	275.72	RJD-AT192075	SEAL KIT	120.00	85.00	102.77
RJD-AR96518	SEAL KIT	3.500	1.750	41.24	RJD-AT194335	SEAL KIT	115.00	80.00	215.09
RJD-AR96526	SEAL KIT	4.000	2.500	59.72	RJD-AT194457	SEAL KIT	150.00	100.00	172.80
RJD-AR96527	SEAL KIT	4.000	1.750	39.08	RJD-AT196466	SEAL KIT	125.00	90.00	276.58
RJD-AR96532	SEAL KIT	2.250	1.750	20.81	RJD-AT196469	SEAL KIT	95.00	65.00	258.42
RJD-AR98255	SEAL KIT	5.500	2.625	94.51	RJD-AT196471	SEAL KIT	170.00	115.00	314.50
RJD-AR99785	SEAL KIT	2.500	1.500	17.60	RJD-AT196472	SEAL KIT	165.00	110.00	247.25
RJD-AT101337	SEAL KIT	2.500	1.250	51.79	RJD-AT196473	SEAL KIT	145.00	95.00	220.46
RJD-AT101377	SEAL KIT	2.500	1.250	65.37	RJD-AT196475	SEAL KIT	145.00	100.00	209.34
RJD-AT108329	SEAL KIT	60.00	32.00	36.86	RJD-AT200548	SEAL KIT	115.00	65.00	168.47
RJD-AT114822	SEAL KIT	125.00	85.00	131.19	RJD-AT200549	SEAL KIT	95.00	60.00	127.06
RJD-AT114831	SEAL KIT	135.00	95.00	157.43	RJD-AT200550	SEAL KIT	85.00	55.00	133.96
RJD-AT114836	SEAL KIT	120.00	80.00	120.73	RJD-AT200573	SEAL KIT	105.00	60.00	127.81
RJD-AT119302	SEAL KIT	N/A	2.500	27.89	RJD-AT200574	SEAL KIT	80.00	50.00	120.26
RJD-AT119307	SEAL KIT	4.000	N/A	24.76	RJD-AT201184	SEAL KIT	165.00	110.00	288.39
RJD-AT120007	SEAL KIT	7.000	N/A	110.46	RJD-AT201185	SEAL KIT	145.00	95.00	232.68
RJD-AT120008	SEAL KIT	N/A	4.000	65.94	RJD-AT205923	SEAL KIT	145.00	95.00	209.97
RJD-AT121499	SEAL KIT	65.00	35.00	96.22	RJD-AT212092	SEAL KIT	80.00	N/A	34.51
RJD-AT121500	SEAL KIT	110.00	60.00	122.31	RJD-AT217906	SEAL KIT	135.00	100.00	256.49
RJD-AT121501	SEAL KIT	120.00	65.00	124.22	RJD-AT251859	SEAL KIT	100.00	50.00	182.80
RJD-AT122564	SEAL KIT	110.00	60.00	107.06	RJD-AT251867	SEAL KIT	80.00	50.00	104.35
RJD-AT122580	SEAL KIT	60.00	35.00	76.32	RJD-AT251952	SEAL KIT	95.00	55.00	136.27
RJD-AT130600	SEAL KIT	95.00	65.00	116.90	RJD-AT251964	SEAL KIT	75.00	45.00	129.67
RJD-AT130601	SEAL KIT	105.00	70.00	134.74	RJD-AT260416	SEAL KIT	2.000	1.250	109.48
RJD-AT130602	SEAL KIT	95.00	60.00	99.84	RJD-AT264430	SEAL KIT	135.00	95.00	274.95
RJD-AT132411	SEAL KIT	170.00	115.00	247.72	RJD-AT264438	SEAL KIT	145.00	100.00	305.89
RJD-AT132412	SEAL KIT	190.00	130.00	265.32	RJD-AT264439	SEAL KIT	135.00	90.00	281.30
RJD-AT138119	SEAL KIT	100.00	50.00	136.86	RJD-AT264440	SEAL KIT	150.00	105.00	359.58
RJD-AT138137	SEAL KIT	200.00	100.00	297.00	RJD-AT264441	SEAL KIT	170.00	115.00	304.00
RJD-AT138138	SEAL KIT	170.00	95.00	234.89	RJD-AT301907	SEAL KIT	75.00	50.00	110.40
RJD-AT142582	SEAL KIT	3.000	2.000	38.05	RJD-AT302758	SEAL KIT	190.00	130.00	335.99
RJD-AT154867	SEAL KIT	125.00	90.00	201.39	RJD-AT314427	SEAL KIT	170.00	120.00	434.44
RJD-AT154868	SEAL KIT	135.00	100.00	146.81	RJD-AT33350	SEAL KIT	N/A	N/A	30.89
RJD-AT161017	SEAL KIT	7.000	4.000	107.97	RJD-AT33351	SEAL KIT	N/A	N/A	27.98
RJD-AT168764	SEAL KIT	100.00	65.00	136.28	RJD-AT34930	SEAL KIT	N/A	N/A	33.46
RJD-AT176705	SEAL KIT	115.00	80.00	186.53	RJD-AT34932	SEAL KIT	4.000	3.750	30.70
RJD-AT176734	SEAL KIT	145.00	105.00	227.67	RJD-AT34933	SEAL KIT	4.000	3.750	30.79
RJD-AT176737	SEAL KIT	95.00	65.00	154.24	RJD-AT35142	SEAL KIT	3.250	3.000	55.04
RJD-AT176822	SEAL KIT	105.00	70.00	143.61	RJD-AT35678	SEAL KIT	N/A	N/A	33.71
RJD-AT177556	SEAL KIT	110.00	80.00	199.55	RJD-AT35775	SEAL KIT	N/A	N/A	43.18
RJD-AT181250	SEAL KIT	125.00	85.00	118.23	RJD-AT35932	SEAL KIT	N/A	N/A	25.92
RJD-AT181792	SEAL KIT	145.00	95.00	133.56	RJD-AT35934	SEAL KIT	N/A	N/A	23.39
RJD-AT181794	SEAL KIT	145.00	100.00	157.95	RJD-AT35935	SEAL KIT	N/A	N/A	27.70
RJD-AT181799	SEAL KIT	165.00	110.00	192.17	RJD-AT35939	SEAL KIT	N/A	N/A	44.87
RJD-AT183658	SEAL KIT	135.00	100.00	154.24	RJD-AT35940	SEAL KIT	N/A	N/A	27.82
RJD-AT190898	SEAL KIT	3.000	2.000	69.69	RJD-AT36404	SEAL KIT	N/A	N/A	40.51
RJD-AT191391	SEAL KIT	3.000	1.250	73.80	RJD-AT36452	SEAL KIT	N/A	N/A	57.94
RJD-AT191403	SEAL KIT	2.000	1.000	92.62	RJD-AT36453	SEAL KIT	N/A	N/A	54.79

All manufacturer's names, part numbers and descriptions are used for reference purposes only. We do not imply that any part shown is the product of these manufacturers.

INDUSTRIAL SEAL KITS

MOBILE SEAL KITS

JOHN DEERE

Remsa [KITS]

KIT LISTING

JOHN DEERE

Ref. Number	Desc.	Bore	Rod	\$	Ref. Number	Desc.	Bore	Rod	\$
RJD-AT36454	SEAL KIT	N/A	N/A	86.61	RJD-F435828	SEAL KIT	7.000	3.500	114.60
RJD-AT36829	SEAL KIT	N/A	N/A	28.43	RJD-RE10223	SEAL KIT	4.000	1.750	33.75
RJD-AT36830	SEAL KIT	N/A	N/A	30.49	RJD-RE10224	SEAL KIT	5.500	2.500	66.43
RJD-AT36831	SEAL KIT	N/A	N/A	41.50	RJD-RE10640	SEAL KIT	4.500	2.250	45.25
RJD-AT36833	SEAL KIT	N/A	N/A	38.60	RJD-RE12912	SEAL KIT	3.500	1.750	84.04
RJD-AT36835	SEAL KIT	N/A	N/A	32.78	RJD-RE13277	SEAL KIT	5.500	2.500	71.57
RJD-AT36908	SEAL KIT	N/A	N/A	45.02	RJD-RE13745	SEAL KIT	N/A	2.500	31.28
RJD-AT36910	SEAL KIT	N/A	N/A	24.77	RJD-RE14022	SEAL KIT	6.250	N/A	113.20
RJD-AT36911	SEAL KIT	N/A	N/A	34.97	RJD-RE14033	SEAL KIT	7.500	N/A	138.52
RJD-AT37322	SEAL KIT	N/A	N/A	62.31	RJD-RE14082	SEAL KIT	3.000	N/A	59.36
RJD-AT37323	SEAL KIT	N/A	N/A	56.56	RJD-RE14088	SEAL KIT	1.500	1.500	21.46
RJD-AT37347	SEAL KIT	N/A	N/A	19.09	RJD-RE14094	SEAL KIT	4.500	N/A	69.40
RJD-AT38068	SEAL KIT	3.000	2.625	32.08	RJD-RE14100	SEAL KIT	5.250	N/A	90.57
RJD-AT38582	SEAL KIT	N/A	N/A	31.86	RJD-RE14102	SEAL KIT	5.500	N/A	104.48
RJD-AT38583	SEAL KIT	N/A	N/A	65.67	RJD-RE14104	SEAL KIT	6.250	N/A	107.53
RJD-AT39022	SEAL KIT	3.000	2.625	17.67	RJD-RE14208	SEAL KIT	N/A	2.250	32.09
RJD-AT39023	SEAL KIT	3.250	3.000	39.32	RJD-RE14454	SEAL KIT	N/A	2.250	31.13
RJD-AT41687	SEAL KIT	2.250	1.250	28.26	RJD-RE14516	SEAL KIT	N/A	2.500	32.27
RJD-AT41688	SEAL KIT	2.250	1.500	26.16	RJD-RE14517	SEAL KIT	3.500	N/A	64.14
RJD-AT42765	SEAL KIT	N/A	N/A	29.73	RJD-RE14523	SEAL KIT	4.500	N/A	69.40
RJD-AT43470	SEAL KIT	N/A	N/A	60.62	RJD-RE14538	SEAL KIT	N/A	2.250	24.05
RJD-AT49348	SEAL KIT	N/A	N/A	48.69	RJD-RE14551	SEAL KIT	2.000	N/A	9.68
RJD-AT50213	SEAL KIT		1.250	32.51	RJD-RE14552	SEAL KIT	N/A	1.000	11.25
RJD-AT50214	SEAL KIT	2.500	1.250	111.64	RJD-RE14555	SEAL KIT	4.000	N/A	64.54
RJD-AT52702	SEAL KIT	N/A	N/A	36.54	RJD-RE14556	SEAL KIT	N/A	2.000	21.31
RJD-AT52703	SEAL KIT	N/A	N/A	33.25	RJD-RE14563	SEAL KIT	4.250	N/A	23.21
RJD-AT52704	SEAL KIT	N/A	N/A	23.31	RJD-RE14567	SEAL KIT	4.000	N/A	68.78
RJD-AT52705	SEAL KIT	N/A	N/A	32.95	RJD-RE14744	SEAL KIT	5.000	N/A	85.68
RJD-AT52706	SEAL KIT	N/A	N/A	44.72	RJD-RE14745	SEAL KIT	2.500	2.500	36.80
RJD-AT52707	SEAL KIT	N/A	N/A	46.50	RJD-RE14771	SEAL KIT	3.750	N/A	54.41
RJD-AT52708	SEAL KIT	N/A	N/A	42.19	RJD-RE14772	SEAL KIT	2.750	N/A	15.13
RJD-AT52709	SEAL KIT	N/A	N/A	33.94	RJD-RE14773	SEAL KIT	N/A	1.250	19.72
RJD-AT52710	SEAL KIT	N/A	N/A	33.71	RJD-RE14877	SEAL KIT	5.500	N/A	104.48
RJD-AT52712	SEAL KIT	N/A	N/A	37.31	RJD-RE14878	SEAL KIT	N/A	2.750	41.11
RJD-AT55691	SEAL KIT	N/A	N/A	43.04	RJD-RE14879	SEAL KIT	6.000	N/A	106.92
RJD-AT55692	SEAL KIT	N/A	N/A	28.82	RJD-RE14880	SEAL KIT	N/A	2.750	37.50
RJD-AT55695	SEAL KIT	4.000	1.750	23.07	RJD-RE14910	SEAL KIT	5.500	N/A	104.48
RJD-AT56582	SEAL KIT	N/A	N/A	60.38	RJD-RE15708	SEAL KIT	N/A	3.750	87.72
RJD-AT78498	SEAL KIT	50.00	25.00	46.61	RJD-RE15905	SEAL KIT	5.000	N/A	85.68
RJD-AT79722	SEAL KIT	3.000	1.500	39.43	RJD-RE15906	SEAL KIT	N/A	3.250	38.11
RJD-AU149810	SEAL KIT		25.00	41.40	RJD-RE15907	SEAL KIT	5.500	N/A	104.48
RJD-AU41182	SEAL KIT	N/A	N/A	42.35	RJD-RE16076	SEAL KIT	3.500	N/A	64.86
RJD-AU41735	SEAL KIT	N/A	N/A	29.59	RJD-RE16118	SEAL KIT	4.000	N/A	66.90
RJD-AU42199	SEAL KIT	N/A	N/A	22.49	RJD-RE16119	SEAL KIT	N/A	2.000	22.43
RJD-AU42200	SEAL KIT	N/A	N/A	27.36	RJD-RE16208	SEAL KIT	3.000	N/A	58.57
RJD-AU43367	SEAL KIT	1.750	0.687	9.20	RJD-RE16209	SEAL KIT	N/A	1.750	26.27
RJD-AU43986	SEAL KIT	N/A	N/A	30.57	RJD-RE16991	SEAL KIT	N/A	2.750	70.76
RJD-AU49810	SEAL KIT		25.00	31.76	RJD-RE16992	SEAL KIT	N/A	3.000	53.77

All manufacturer's names, part numbers and descriptions are used for reference purposes only. We do not imply that any part shown is the product of these manufacturers.

INDUSTRIAL SEAL KITS

MOBILE SEAL KITS

JOHN DEERE

JOHN DEERE

KIT LISTING

INDUSTRIAL
SEAL KITS

MOBILE
SEAL KITS

JOHN DEERE

Ref. Number	Desc.	Bore	Rod	\$	Ref. Number	Desc.	Bore	Rod	\$
RJD-RE17097	SEAL KIT	3.500	N/A	11.09	RJD-RE19224	SEAL KIT	4.400	4.250	40.58
RJD-RE17099	SEAL KIT	3.750	N/A	13.36	RJD-RE19225	SEAL KIT	4.500	2.000	90.00
RJD-RE17342	SEAL KIT	N/A	2.750	53.55	RJD-RE19226	SEAL KIT	4.500	3.375	38.37
RJD-RE17345	SEAL KIT	N/A	2.500	39.32	RJD-RE19227	SEAL KIT	3.625	3.375	36.15
RJD-RE17351	SEAL KIT	5.500	N/A	104.48	RJD-RE20323	SEAL KIT	3.625	4.000	69.20
RJD-RE17458	SEAL KIT	4.250	N/A	70.76	RJD-RE20329	SEAL KIT	N/A	3.750	64.38
RJD-RE18202	SEAL KIT	3.000	N/A	8.50	RJD-RE20351	SEAL KIT	4.000	N/A	35.30
RJD-RE18203	SEAL KIT	N/A	1.500	23.27	RJD-RE20428	SEAL KIT	70.00	N/A	35.89
RJD-RE18708	SEAL KIT	3.500	N/A	64.14	RJD-RE20430	SEAL KIT	90.00	N/A	40.64
RJD-RE18730	SEAL KIT	4.000	1.750	39.08	RJD-RE20433	SEAL KIT	N/A	40.00	48.41
RJD-RE18731	SEAL KIT	4.250	2.500	70.12	RJD-RE20434	SEAL KIT	N/A	45.00	48.70
RJD-RE18732	SEAL KIT	4.000	2.000	39.25	RJD-RE20595	SEAL KIT	N/A	50.00	43.03
RJD-RE18733	SEAL KIT	4.000	2.000	32.10	RJD-RE20874	SEAL KIT	N/A	1.750	29.63
RJD-RE18734	SEAL KIT	5.500	2.500	66.82	RJD-RE21202	SEAL KIT	N/A	3.750	152.74
RJD-RE18735	SEAL KIT	4.000	2.500	96.28	RJD-RE21395	SEAL KIT	N/A	2.750	107.53
RJD-RE18736	SEAL KIT	4.000	1.750	35.90	RJD-RE21401	SEAL KIT	N/A	3.250	73.74
RJD-RE18737	SEAL KIT	4.500	2.000	40.69	RJD-RE21873	SEAL KIT	N/A	32.00	41.44
RJD-RE18738	SEAL KIT	4.000	2.000	26.99	RJD-RE21874	SEAL KIT	50.00	N/A	41.41
RJD-RE18739	SEAL KIT	4.250	2.250	48.91	RJD-RE21875	SEAL KIT	N/A	25.00	42.46
RJD-RE18740	SEAL KIT	5.500	2.500	140.08	RJD-RE25151	SEAL KIT	N/A	63.00	92.17
RJD-RE18741	SEAL KIT	4.000	2.000	82.78	RJD-RE25152	SEAL KIT	N/A	80.00	119.66
RJD-RE18742	SEAL KIT	3.500	1.500	48.75	RJD-RE28899	SEAL KIT	N/A	63.00	87.93
RJD-RE18743	SEAL KIT	5.000	2.000	45.99	RJD-RE30100	SEAL KIT	2.250	N/A	5.51
RJD-RE18744	SEAL KIT	6.250	2.750	119.50	RJD-RE30816	SEAL KIT	3.250	N/A	55.27
RJD-RE18745	SEAL KIT	5.500	2.500	91.98	RJD-RE30817	SEAL KIT	N/A	2.000	27.35
RJD-RE18746	SEAL KIT	5.250	2.500	49.06	RJD-RE30874	SEAL KIT	N/A	1.750	24.43
RJD-RE18747	SEAL KIT	3.250	2.750	36.98	RJD-RE31138	SEAL KIT	80.00	N/A	44.99
RJD-RE18748	SEAL KIT	3.500	2.000	39.74	RJD-RE31139	SEAL KIT	100.00	N/A	79.38
RJD-RE18749	SEAL KIT	2.000	0.875	20.87	RJD-RE31140	SEAL KIT	115.00	N/A	98.81
RJD-RE18750	SEAL KIT	3.000	1.250	25.42	RJD-RE31528	SEAL KIT	N/A	3.750	61.86
RJD-RE18751	SEAL KIT	3.000	1.750	31.00	RJD-RE31716	SEAL KIT	N/A	56.00	58.95
RJD-RE18752	SEAL KIT	3.000	1.750	32.07	RJD-RE33803	SEAL KIT	50.00	N/A	45.12
RJD-RE18754	SEAL KIT	3.500	1.752	41.24	RJD-RE37003	SEAL KIT	80.00	N/A	12.72
RJD-RE18755	SEAL KIT	3.500	1.750	33.25	RJD-RE37004	SEAL KIT	70.00	N/A	8.92
RJD-RE18756	SEAL KIT	3.500	1.750	41.04	RJD-RE37462	SEAL KIT	70.00	N/A	113.80
RJD-RE18757	SEAL KIT	3.500	2.250	44.42	RJD-RE54761	SEAL KIT	60.00	36.000	24.70
RJD-RE18758	SEAL KIT	3.500	2.250	84.67	RJD-T153744	SEAL KIT	65.00	36.00	82.79
RJD-RE18759	SEAL KIT	5.000	2.250	59.57	RJD-TH0729006	SEAL KIT	85.00	45.00	65.14
RJD-RE18760	SEAL KIT	4.500	2.500	55.42	RJD-TH0743805	SEAL KIT	75.00	40.00	70.56
RJD-RE18762	SEAL KIT	6.250	3.250	116.81	RJD-TH0744010	SEAL KIT	70.00	40.00	43.49
RJD-RE18763	SEAL KIT	5.500	3.750	74.71	RJD-TH0744408	SEAL KIT	75.00	45.00	145.93
RJD-RE18764	SEAL KIT	4.500	2.250	96.62	RJD-TH0744707	SEAL KIT	65.00	40.00	110.01
RJD-RE18765	SEAL KIT	3.500	2.000	42.32	RJD-TH0744808	SEAL KIT	85.00	45.00	95.59
RJD-RE19216	SEAL KIT	3.250	3.000	36.76	RJD-TH0745308	SEAL KIT	95.00	50.00	80.73
RJD-RE19217	SEAL KIT	2.500	1.500	25.50	RJD-TH102798	SEAL KIT	140.00	95.00	178.47
RJD-RE19218	SEAL KIT	3.000	2.000	37.25	RJD-TH102827	SEAL KIT	150.00	105.00	172.47
RJD-RE19220	SEAL KIT	2.750	1.750	32.81	RJD-TH102845	SEAL KIT	140.00	90.00	157.06
RJD-RE19222	SEAL KIT	2.750	1.500	30.32	RJD-TH103324	SEAL KIT	160.00	110.00	154.77

All manufacturer's names, part numbers and descriptions are used for reference purposes only. We do not imply that any part shown is the product of these manufacturers.

Remsa [KITS]

KIT LISTING

JOHN DEERE

Ref. Number	Desc.	Bore	Rod	\$	Ref. Number	Desc.	Bore	Rod	\$
RJD-TH103347	SEAL KIT	160.00	110.00	197.22	RJD-TH110663	SEAL KIT	90.00	55.00	88.52
RJD-TH103357	SEAL KIT	150.00	95.00	173.17	RJD-TH111625	SEAL KIT	145.00	95.00	216.50
RJD-TH106099	SEAL KIT	100.00	60.00	151.47	RJD-TH111626	SEAL KIT	145.00	100.00	218.28
RJD-TH106853	SEAL KIT	90.00	55.00	201.33	RJD-TH111627	SEAL KIT	165.00	110.00	256.13
RJD-TH106874	SEAL KIT	110.00	60.00	101.49	RJD-TH111701	SEAL KIT	115.00	65.00	146.45
RJD-TH109339	SEAL KIT	105.00	75.00	103.38	RJD-TH111854	SEAL KIT	150.00	105.00	229.94
RJD-TH109366	SEAL KIT	115.00	80.00	118.32					
RJD-TH109390	SEAL KIT	95.00	65.00	107.31					
RJD-TH110035	SEAL KIT	135.00	90.00	162.25					
RJD-TH110064	SEAL KIT	145.00	100.00	173.89					
RJD-TH110661	SEAL KIT	115.00	65.00	127.11					
RJD-TH110662	SEAL KIT	100.00	60.00	79.48					



All manufacturer's names, part numbers and descriptions are used for reference purposes only. We do not imply that any part shown is the product of these manufacturers.

INDUSTRIAL
SEAL KITS

MOBILE
SEAL KITS

JOHN DEERE

KATO

KITS

Model	Application	Serial Number	Cylinder Number	Bore	Rod	I	Ref. Number RKAT-	\$
						M		
HD-700SEV, HD-700II, HD-720VII	ARM		329-1719-0	135.00	95.00	M	329/17190000	219.67
	BOOM		329-1169-0	125.00	85.00	M	329/11690000	220.41
	BUCKET		329-2389-0	120.00	80.00	M	329/23890000	173.75
HD-770SEII	ARM		309-754-1	130.00	90.00	M	309/75400001	192.37
	BOOM		309-960-2	130.00	85.00	M	309/96000002	172.72
	BUCKET		309-785-1	130.00	85.00	M	309/78500001	172.72
HD-800SEV, HD-880SEII	ARM		309-755-1	140.00	100.00	M	309/75500001	222.27
	BOOM		309-967-2	130.00	85.00	M	309/96700002	199.44
	BUCKET		309-786-1	125.00	85.00	M	309/78600001	169.68
HD-900SEV	ARM		329-172-1	150.00	105.00	M	329/17200001	228.57
	BOOM		309-697-11	140.00	85.00	M	309/96700011	201.12
	BUCKET		309-786-11	130.00	85.00	M	309/78600011	191.62
HD-800VII	ARM		329-1729-0	150.00	105.00	M	329/17290000	228.57
	BOOM		329-1399-0	140.00	85.00	M	329/13990000	201.12
	BUCKET		309-7869-10	130.00	85.00	M	309/78690010	191.62
HD-1250SEV	ARM		329-175-3	160.00	110.00	M	329/17500003	231.34
	BOOM		329-121-2	150.00	100.00	M	329/12100002	218.75
	BUCKET		329-241-2	150.00	100.00	M	329/24100002	218.75
HD-1250VII	ARM		329-1759-0	160.00	110.00	M	329/17590000	231.34
	BOOM		329-2419-2	150.00	100.00	M	329/24190002	218.75
	BUCKET		329-2419-2	150.00	100.00	M	329/24190002	218.75

INDUSTRIAL
SEAL KITS

MOBILE
SEAL KITS

KATO

KIT LISTING

Ref. Number	Desc.	Bore	Rod	\$	Ref. Number	Desc.	Bore	Rod	\$
RKAT-309/13790020	SEAL KIT	150.00	90.00	212.36	RKAT-329/12090000	SEAL KIT	150.00	100.00	328.28
RKAT-309/75400001	SEAL KIT	130.00	90.00	271.99	RKAT-329/12100002	SEAL KIT	150.00	100.00	309.28
RKAT-309/75500001	SEAL KIT	140.00	100.00	314.25	RKAT-329/13990000	SEAL KIT	140.00	85.00	284.35
RKAT-309/75590000	SEAL KIT	140.00	100.00	300.59	RKAT-329/17190000	SEAL KIT	135.00	95.00	310.60
RKAT-309/78500001	SEAL KIT	130.00	85.00	244.21	RKAT-329/17200001	SEAL KIT	150.00	105.00	323.16
RKAT-309/78590010	SEAL KIT	125.00	85.00	315.71	RKAT-329/17290000	SEAL KIT	150.00	105.00	323.16
RKAT-309/78600001	SEAL KIT	125.00	85.00	239.91	RKAT-329/17500003	SEAL KIT	160.00	110.00	327.07
RKAT-309/78600011	SEAL KIT	130.00	85.00	270.92	RKAT-329/17590000	SEAL KIT	160.00	110.00	327.07
RKAT-309/78690010	SEAL KIT	130.00	85.00	270.92	RKAT-329/23790000	SEAL KIT	95.00	65.00	222.27
RKAT-309/96000002	SEAL KIT	130.00	85.00	244.21	RKAT-329/23890000	SEAL KIT	120.00	80.00	245.65
RKAT-309/96090010	SEAL KIT	130.00	85.00	328.44	RKAT-329/23890001	SEAL KIT	120.00	80.00	281.40
RKAT-309/96700002	SEAL KIT	130.00	85.00	281.99	RKAT-329/24100002	SEAL KIT	150.00	100.00	309.28
RKAT-309/96700011	SEAL KIT	140.00	85.00	284.35	RKAT-329/24190002	SEAL KIT	150.00	100.00	309.28
RKAT-329/11690000	SEAL KIT	125.00	85.00	311.64	RKAT-75590020	SEAL KIT	140.00	100.00	349.35

All manufacturer's names, part numbers and descriptions are used for reference purposes only. We do not imply that any part shown is the product of these manufacturers.

KATO

Remsa [KITS]

KIT LISTING

KAWASAKI

Ref. Number	Desc.	Bore	Rod	\$	Ref. Number	Desc.	Bore	Rod	\$
RKAW-K3V112DT	PUMP KIT	N/A	N/A	61.64	RKAW-ZZ/49327/60760	SEAL KIT	N/A	100.00	89.42
RKAW-K3V140SK	SEAL KIT	N/A	N/A	103.20	RKAW-ZZ/49327/90120	SEAL KIT	N/A	50.00	49.80
RKAW-ZZ/49327/60540	SEAL KIT	190.00	N/A	92.85					

EXCAVATOR

KOBELCO

Model	Application	Serial Number	Cylinder Number	Bore	Rod	I	Ref. Number RKOB-	\$
						M		
SK60	ARM				65.00	M	2438U1097R100	88.29
				110.00		M	2438U716R140	112.13
	BOOM				70.00	M	2438U721R100	136.61
				125.00		M	2438U1094R140	151.07
	BUCKET				60.00	M	2438U1096R100	98.01
				95.00		M	2438U1096R200	114.40
SK100	ARM				75.00	M	2438U1098R100	93.18
				115.00		M	2438U1098R200	194.92
	BOOM				70.00	M	2438U1099R100	99.96
				100.00		M	2438U1123R200	138.24
	BUCKET				65.00	M	2438U1097R100	88.29
				95.00		M	2438U1097R200	136.73
SK120	ARM	LPU1001-	2438U1132F1		80.00	M	2438U1132R100	109.93
				120.00		M	2438U1132R200	195.68
				120.00	80.00	M	2438U1132R300	305.61
	BOOM (LH)	LPU1001-	2438U1134F1		70.00	M	2438U1133R100	98.60
				105.00		M	2438U1133R200	139.43
				105.00	70.00	M	2438U1133R300	226.11
	BOOM (RH)	LPU1001-	2438U1133F1		70.00	M	2438U1133R100	98.60
			105.00		M	2438U1133R200	139.43	
			105.00	70.00	M	2438U1133R300	226.11	

All manufacturer's names, part numbers and descriptions are used for reference purposes only. We do not imply that any part shown is the product of these manufacturers.

INDUSTRIAL
SEAL KITS

MOBILE
SEAL KITS

KAWASAKI - KOBELCO

KOBELCO

EXCAVATOR

INDUSTRIAL
SEAL KITS

MOBILE
SEAL KITS

KOBELCO

Model	Application	Serial Number	Cylinder Number	Bore	Rod	I	Ref. Number RKOB-	\$
						M		
SK120LC	BUCKET	LPU1001-	2438U1131F1	65.00	65.00	M	2438U1131R100	88.29
				100.00		M	2438U1131R200	142.41
				100.00	65.00	M	2438U1131R300	219.15
	ARM	YPU1001-	2438U1132F1	80.00	80.00	M	2438U1132R100	109.93
				120.00		M	2438U1132R200	195.68
				120.00	80.00	M	2438U1132R300	305.61
SK150, SK150LC	BOOM (LH)	YPU1001-	2438U1134F1	70.00	70.00	M	2438U1133R100	98.60
				105.00		M	2438U1133R200	139.43
				105.00	70.00	M	2438U1133R300	226.11
	BOOM (RH)	YPU1001-	2438U133F1	70.00	70.00	M	2438U1133R100	98.60
				105.00		M	2438U1133R200	139.43
				105.00	70.00	M	2438U1133R300	226.11
SK150, SK150LC	BUCKET	YPU1001-	2438U1131F1	70.00	70.00	M	2438U1133R300	226.11
				100.00	65.00	M	2438U1131R100	88.29
				100.00	65.00	M	2438U1131R200	142.41
	ARM	YMU1001-	2438U1948F1	90.00	90.00	M	2438U1948R400	107.43
				130.00		M	2438U1948R200	190.89
				130.00	90.00	M	2438U1948R500	298.31
BOOM (LH)	YMU1001-	2438U1947F1	80.00	80.00	M	2438U1105R400	67.38	
			120.00		M	2438U1946R200	138.74	
			120.00	80.00	M	2438U1946R300	206.15	
BOOM (RH)	YMU1001-	2438U1946F1	80.00	80.00	M	2438U1105R400	67.38	
			120.00		M	2438U1946R200	138.74	
			120.00	80.00	M	2438U1946R300	206.15	
SK150LC III	BUCKET	YMU1001-	2438U1949F1	120.00	80.00	M	2438U1946R200	138.74
				120.00	75.00	M	2438U1946R300	206.15
				110.00	75.00	M	2438U1949R400	76.89
	ARM	YM000101-	2438U1948F1	110.00		M	2438U1949R200	171.04
				110.00	75.00	M	2438U1949R500	217.61
				90.00	90.00	M	2438U1948R400	107.43
BOOM (LH)	YM000101-	2438U1947F1	130.00		M	2438U1948R200	190.89	
			130.00	90.00	M	2438U1948R500	298.31	
			80.00	80.00	M	2438U1105R400	67.38	
BOOM (RH)	YM000101-	2438U1946F1	120.00		M	2438U1946R200	138.74	
			120.00	80.00	M	2438U1946R300	206.15	
			80.00	80.00	M	2438U1105R400	67.38	
SK200, SK200LC	BUCKET	YM000101-	2438U1949F1	120.00	80.00	M	2438U1946R200	138.74
				120.00	80.00	M	2438U1946R300	206.15
				110.00	75.00	M	2438U1949R400	76.89
	ARM	YNU0001- YQU0701-	2438U1104F1	110.00		M	2438U1949R200	171.04
				110.00	75.00	M	2438U1949R500	217.61
				145.00		M	2438U1104R200	218.57
ARM	YNU0001- YQU0701-	2438U1108	145.00	100.00	M	2438U1104R400	97.51	
			145.00	100.00	M	2438U1104R500	316.08	
			145.00	100.00	M	2438U1108R100	120.82	
				145.00		M	2438U1108R200	232.08

All manufacturer's names, part numbers and descriptions are used for reference purposes only. We do not imply that any part shown is the product of these manufacturers.

Remsa [KITS]

EXCAVATOR

KOBELCO

Model	Application	Serial Number	Cylinder Number	Bore	Rod	I	Ref. Number RKOB-	\$
						M		
	BOOM (LH)	YNU0001- YQU0701-	2438U1103F1	145.00	100.00	M	2438U1108R300	273.91
				125.00	85.00	M	2438U1102R200	147.81
				125.00	85.00	M	2438U1102R600	83.99
		YNU0001- YQU0701-	2438U1107F1	125.00	85.00	M	2438U1102R500	231.79
				125.00	85.00	M	2438U1106R100	110.76
				125.00	85.00	M	2438U1106R200	188.57
	BOOM (RH)	YNU0001- YQU0701-	2438U1102F1	125.00	85.00	M	2438U1106R300	299.34
				125.00	85.00	M	2438U1102R200	147.81
				125.00	85.00	M	2438U1102R600	83.99
		YNU0001- YQU0701-	2438U1106F1	125.00	85.00	M	2438U1102R500	231.79
				125.00	85.00	M	2438U1106R100	110.76
				125.00	85.00	M	2438U1106R200	188.57
	BUCKET	YNU0001- YQU0701-	2438U1105F1	125.00	85.00	M	2438U1106R300	299.34
				120.00	80.00	M	2438U1105R200	103.94
				120.00	80.00	M	2438U1105R400	67.38
		YNU0001- YQU0701-	2438U1109F1	120.00	80.00	M	2438U1105R500	171.32
				120.00	80.00	M	2438U1109R100	112.39
				120.00	80.00	M	2438U1109R200	108.23
SK200 III, SK220LC III, SK220 IV, SK220LC IV	ARM	LQU0001- LLU0601-	2438U1137F1	120.00	80.00	M	2438U1109R300	219.65
				105.00	105.00	M	2438U953R100	169.56
	BOOM (LH)	LQU0001- LLU0601-	2438U1136F1	150.00	90.00	M	2438U953R200	320.54
				140.00	90.00	M	2438U999R100	110.02
	BUCKET	LQU0001- LLU0601- LQU0001- LLU0601- LQU0001- LLU0601-	2438U1135F1 2438U1097F2 2438U1138F1	90.00	90.00	M	2438U999R200	211.90
				140.00	65.00	M	2438U999R100	110.02
95.00				65.00	M	2438U1097R100	88.29	
85.00				85.00	M	2438U1097R200	136.73	
130.00				85.00	M	2438U959R100	88.98	
130.00				85.00	M	2438U959R200	199.22	
SK300 III	ARM	LCU0001-UP	2438U1171F1-F4	120.00	120.00	M	2438U1171R100	124.30
				170.00	120.00	M	2438U1171R200	234.40
				170.00	120.00	M	2438U1171R300	358.70
	BOOM (LH)	LCU0001-UP	2438U1177F1-F4	100.00	100.00	M	2438U1170R100	89.81
				150.00	100.00	M	2438U1172R200	158.59
				150.00	100.00	M	2438U1172R500	338.20
BOOM (RH)	LCU0001-UP	2438U1170F1-F4	100.00	100.00	M	2438U1170R100	89.81	
			150.00	100.00	M	2438U1172R200	158.59	
			150.00	100.00	M	2438U1170R300	248.39	
			150.00	100.00	M	2438U1170R100	89.81	
			150.00	100.00	M	2438U1172R200	158.59	
			150.00	100.00	M	2438U1172R500	338.20	
SK300 IV	ARM	LCU0101-	2438U1171F1-F4	120.00	120.00	M	2438U1171R100	124.30
				170.00	120.00	M	2438U1171R200	234.40
	BOOM (LH)	LCU0101-	2438U1177F1-F4	170.00	120.00	M	2438U1171R300	358.70
				100.00	100.00	M	2438U1170R100	89.81

All manufacturer's names, part numbers and descriptions are used for reference purposes only. We do not imply that any part shown is the product of these manufacturers.

INDUSTRIAL SEAL KITS

MOBILE SEAL KITS

KOBELCO

KOBELCO

EXCAVATOR

INDUSTRIAL
SEAL KITS

MOBILE
SEAL KITS

KOBELCO

Model	Application	Serial Number	Cylinder Number	Bore	Rod	I	Ref. Number RKOB-	\$
						M		
	BOOM (RH)	LCU0101-	2438U1170F1-F4	150.00		M	2438U1172R200	158.59
				150.00	100.00	M	2438U1172R500	338.20
				100.00		M	2438U1170R100	89.81
	BUCKET	LCU0101-	2438U1172F1-F5	150.00		M	2438U1172R200	158.59
				150.00	100.00	M	2438U1170R300	248.39
				100.00		M	2438U1170R100	89.81
SK300LC III	ARM	YCU0001-UP	2438U1171F1-F4	150.00		M	2438U1172R200	158.59
				150.00	100.00	M	2438U1172R500	338.20
				120.00		M	2438U1171R100	124.30
				170.00		M	2438U1171R200	234.40
				170.00	120.00	M	2438U1171R300	358.70
SK300LC IV	BOOM (LH)	YCU0001-UP	2438U1177F1-F4		100.00	M	2438U1170R100	89.81
	BOOM (RH)	YCU0001-UP	2438U1170F1-F4	150.00		M	2438U1172R200	158.59
				150.00	100.00	M	2438U1172R500	338.20
				150.00		M	2438U1170R100	89.81
				150.00		M	2438U1172R200	158.59
	BUCKET	YCU0001-UP	2438U1172F1-F5	150.00	100.00	M	2438U1170R300	248.39
				150.00		M	2438U1170R100	89.81
				150.00		M	2438U1172R200	158.59
				150.00	100.00	M	2438U1172R500	338.20
	ARM	YCU0603-07 & YCU0611	2438U1171F1-F4	120.00		M	2438U1171R100	124.30
				170.00		M	2438U1171R200	234.40
	K903II	BOOM (LH)	YCU0603-07 & YCU0611	2438U1177F1-F4	170.00	120.00	M	2438U1171R300
					100.00	M	2438U1170R100	89.81
150.00						M	2438U1172R200	158.59
BOOM (RH)		YCU0603-07 & YCU0611	2438U1170F1-F4	150.00	100.00	M	2438U1172R500	338.20
				150.00		M	2438U1170R100	89.81
				150.00		M	2438U1172R200	158.59
BUCKET	YCU0603-07 & YCU0611	2438U1172F1-F5	150.00	100.00	M	2438U1170R300	248.39	
			150.00	100.00	M	2438U1170R100	89.81	
			150.00	100.00	M	2438U1172R200	158.59	
K904II	ARM				65.00	M	2438U1097R100	88.29
	BOOM			110.00		M	2438U716R140	112.13
					70.00	M	2438U721R100	136.61
	BUCKET			125.00		M	2438U1094R140	151.07
					60.00	M	2438U1096R100	98.01
			95.00		M	2438U1096R200	114.40	
K904II	ARM				75.00	M	2438U991R100	100.14
	BOOM			115.00		M	2438U991R200	196.19
					70.00	M	2438U989R100	100.98
	BUCKET			100.00		M	2438U989R200	138.24
				65.00	M	2438U992R100	84.59	
			95.00		M	2438U992R200	136.88	

All manufacturer's names, part numbers and descriptions are used for reference purposes only. We do not imply that any part shown is the product of these manufacturers.

Remsa [KITS]

EXCAVATOR

KOBELCO

Model	Application	Serial Number	Cylinder Number	Bore	Rod	I	Ref. Number RKOB-	\$
						M		
K904III	ARM			75.00	75.00	M	2438U1098R100	93.18
				115.00		M	2438U1098R200	194.92
	BOOM			70.00	70.00	M	2438U1099R100	99.96
				100.00		M	2438U1123R200	138.24
	BUCKET			65.00	65.00	M	2438U1097R100	88.29
				95.00		M	2438U1097R200	136.73
K905II	ARM		2438U973F1	80.00	80.00	M	2438U973R100	117.51
				120.00		M	2438U973R200	195.86
	BOOM		2438U971F2, 972FS	70.00	70.00	M	2438U971R100	104.02
				105.00		M	2438U971R200	139.41
	BUCKET		2438U974F1	65.00	65.00	M	2438U974R100	89.39
						M	2438U974R200	144.14
K907D	ARM		2438U921F1, F2	95.00	95.00	M	2438U921R100	93.31
				145.00		M	2438U921R110	179.31
	BOOM		2438U914D1F1, D2F1	85.00	85.00	M	2438U914R100	99.82
				125.00		M	2438U914R200	146.49
	BUCKET		2438U915F1	75.00	75.00	M	2438U915R100	75.43
				120.00		M	2438U915R110	142.96
K907II	ARM		2438U941F1	100.00	100.00	M	2438U941R100	130.04
				145.00		M	2438U941R200	246.28
	BOOM		2438U996F1, 997F1	85.00	85.00	M	2438U996R100	114.57
				125.00		M	2438U996R200	241.01
	BUCKET		2438U995F1	80.00	80.00	M	2438U995R100	83.74
				120.00		M	2438U995R200	220.10
K909A	ARM			100.00	100.00	M	2438U588R110	127.51
				150.00		M	2438U588R120	180.98
	BOOM			90.00	90.00	M	2438U587R100	117.75
				140.00		M	2438U587R110	177.28
	BUCKET			90.00	90.00	M	2438U568R100	118.04
				130.00		M	2438U568R110	166.87
K909II	ARM		2438U953F1	105.00	105.00	M	2438U953R100	169.56
				150.00		M	2438U953R200	320.54
	BOOM		2438U999F1, 1000F1	90.00	90.00	M	2438U999R100	110.02
				140.00		M	2438U999R200	211.90
	BUCKET		2438U959F1	85.00	85.00	M	2438U959R100	88.98
				130.00		M	2438U959R200	199.22
K912II	ARM		2438U1323F1	100.00	100.00	M	2438U1323R100	147.84
				160.00		M	2438U1323R110	281.83
	BOOM		2438U776F1	95.00	95.00	M	2438U776R100	135.87
				150.00		M	2438U776R110	219.84
	BUCKET		2438U1324F1	100.00	100.00	M	2438U1324R100	105.07
				150.00		M	2438U1324R110	136.31

All manufacturer's names, part numbers and descriptions are used for reference purposes only. We do not imply that any part shown is the product of these manufacturers.

INDUSTRIAL
SEAL KITS

MOBILE
SEAL KITS

KOBELCO

KOBELCO

EXCAVATOR

Model	Application	Serial Number	Cylinder Number	Bore	Rod	I M	Ref. Number RKOB-	\$
K916II	ARM		2438U1029F1		130.00	M	2438U1029R100	219.01
				180.00		M	2438U1029R200	317.44
	BOOM		2438U1028D1F1, D2F1		110.00	M	2438U1028R100	126.32
				170.00		M	2438U1028R200	313.01
	BUCKET		2438U1030F1		120.00	M	2438U1030R100	157.50
				170.00		M	2438U1030R200	313.01

INDUSTRIAL
SEAL KITS

KOBELCO

KIT LISTING

Ref. Number	Desc.	Bore	Rod	\$	Ref. Number	Desc.	Bore	Rod	\$
RKOB-24038R42F1	SEAL KIT	120.00		153.51	RKOB-2438U1104R700	SEAL KIT	145.00		178.14
RKOB-24100U1524R100	SWIVEL SEAL KIT	80.00		73.60	RKOB-2438U1105R100	SEAL KIT		80.00	59.27
RKOB-2436U1378R100	REGULATOR KIT			15.23	RKOB-2438U1105R200	SEAL KIT	120.00		103.94
RKOB-2438U1007R100	SEAL KIT		45.00	54.08	RKOB-2438U1105R300	SEAL KIT	120.00	80.00	154.22
RKOB-2438U1007R200	SEAL KIT	80.00		71.13	RKOB-2438U1105R400	SEAL KIT		80.00	67.38
RKOB-2438U1008R100	SEAL KIT		95.00	107.10	RKOB-2438U1105R500	SEAL KIT	120.00	80.00	171.32
RKOB-2438U1008R200	SEAL KIT	160.00		215.07	RKOB-2438U1106R100	SEAL KIT		85.00	110.76
RKOB-2438U1028D1R100	SEAL KIT		110.00	113.72	RKOB-2438U1106R200	SEAL KIT	125.00		188.57
RKOB-2438U1028D1R200	SEAL KIT	170.00		251.81	RKOB-2438U1106R300	SEAL KIT	125.00	85.00	299.34
RKOB-2438U1028R100	SEAL KIT		110.00	126.32	RKOB-2438U1108R100	SEAL KIT		100.00	120.82
RKOB-2438U1028R200	SEAL KIT	170.00		313.01	RKOB-2438U1108R200	SEAL KIT	145.00		232.08
RKOB-2438U1029R100	SEAL KIT		130.00	219.01	RKOB-2438U1108R300	SEAL KIT	145.00	100.00	273.91
RKOB-2438U1029R200	SEAL KIT	180.00		317.44	RKOB-2438U1109R100	SEAL KIT		80.00	112.39
RKOB-2438U1030R100	SEAL KIT		120.00	157.50	RKOB-2438U1109R200	SEAL KIT	120.00		108.23
RKOB-2438U1030R200	SEAL KIT	170.00		313.01	RKOB-2438U1109R300	SEAL KIT	120.00	80.00	219.65
RKOB-2438U1094R140	SEAL KIT	125.00		151.07	RKOB-2438U1123R100	SEAL KIT		70.00	65.65
RKOB-2438U1096R100	SEAL KIT		60.00	98.01	RKOB-2438U1123R200	SEAL KIT	100.00		138.24
RKOB-2438U1096R200	SEAL KIT	95.00		114.40	RKOB-2438U1123R300	SEAL KIT	100.00	70.00	199.19
RKOB-2438U1097R100	SEAL KIT		65.00	88.29	RKOB-2438U1129R100	SEAL KIT		120.00	113.74
RKOB-2438U1097R200	SEAL KIT	95.00		136.73	RKOB-2438U1129R300	SEAL KIT	180.00	120.00	312.79
RKOB-2438U1097R300	SEAL KIT	95.00	65.00	194.93	RKOB-2438U1131R100	SEAL KIT		65.00	88.29
RKOB-2438U1098R100	SEAL KIT		75.00	93.18	RKOB-2438U1131R200	SEAL KIT	100.00		142.41
RKOB-2438U1098R200	SEAL KIT	115.00		194.92	RKOB-2438U1131R300	SEAL KIT	100.00	65.00	219.15
RKOB-2438U1098R300	SEAL KIT	115.00	75.00	249.58	RKOB-2438U1132R100	SEAL KIT		80.00	109.93
RKOB-2438U1099R100	SEAL KIT		70.00	99.96	RKOB-2438U1132R200	SEAL KIT	120.00		195.68
RKOB-2438U1099R200	SEAL KIT	100.00		132.66	RKOB-2438U1132R300	SEAL KIT	120.00	80.00	305.61
RKOB-2438U1099R300	SEAL KIT	100.00	70.00	197.63	RKOB-2438U1133R100	SEAL KIT		70.00	98.60
RKOB-2438U1102R100	SEAL KIT		85.00	96.02	RKOB-2438U1133R200	SEAL KIT	105.00		139.43
RKOB-2438U1102R200	SEAL KIT	125.00		147.81	RKOB-2438U1133R300	SEAL KIT	105.00	70.00	226.11
RKOB-2438U1102R300	SEAL KIT	125.00	85.00	231.10	RKOB-2438U1135R100	SEAL KIT		90.00	107.09
RKOB-2438U1102R500	SEAL KIT	125.00	85.00	231.79	RKOB-2438U1135R200	SEAL KIT	140.00		172.64
RKOB-2438U1102R600	SEAL KIT		85.00	83.99	RKOB-2438U1135R300	SEAL KIT	140.00	90.00	239.03
RKOB-2438U1104R100	SEAL KIT		100.00	141.97	RKOB-2438U1137R100	SEAL KIT		105.00	130.01
RKOB-2438U1104R200	SEAL KIT	145.00		218.57	RKOB-2438U1137R200	SEAL KIT	150.00		192.68
RKOB-2438U1104R400	SEAL KIT		100.00	97.51	RKOB-2438U1137R300	SEAL KIT	150.00	105.00	230.16
RKOB-2438U1104R500	SEAL KIT	145.00	100.00	316.08	RKOB-2438U1137R500	SEAL KIT	150.00		180.92

MOBILE
SEAL KITS

KOBELCO

All manufacturer's names, part numbers and descriptions are used for reference purposes only. We do not imply that any part shown is the product of these manufacturers.

KITS LISTING

KOBELCO

Ref. Number	Desc.	Bore	Rod	\$	Ref. Number	Desc.	Bore	Rod	\$
RKOB-2438U1138R100	SEAL KIT		85.00	77.38	RKOB-2438U664R100	SEAL KIT		120.00	175.45
RKOB-2438U1138R200	SEAL KIT	130.00		170.63	RKOB-2438U664R110	SEAL KIT	170.00		284.42
RKOB-2438U1138R300	SEAL KIT	130.00	85.00	203.06	RKOB-2438U716R140	SEAL KIT	110.00		112.13
RKOB-2438U1146R300	SEAL KIT	110.00	75.00	206.15	RKOB-2438U721R100	SEAL KIT		70.00	136.61
RKOB-2438U1169R200	SEAL KIT	80.00		120.47	RKOB-2438U776R100	SEAL KIT		95.00	135.87
RKOB-2438U1170R100	SEAL KIT		100.00	89.81	RKOB-2438U776R110	SEAL KIT	150.00		219.84
RKOB-2438U1170R200	SEAL KIT	150.00		180.96	RKOB-2438U776R200	SEAL KIT		95.00	118.41
RKOB-2438U1170R300	SEAL KIT	150.00	100.00	248.39	RKOB-2438U914R100	SEAL KIT		85.00	99.82
RKOB-2438U1171R100	SEAL KIT		120.00	124.30	RKOB-2438U914R200	SEAL KIT	125.00		146.49
RKOB-2438U1171R200	SEAL KIT	170.00		234.40	RKOB-2438U914R300	SEAL KIT	125.00	85.00	213.36
RKOB-2438U1171R300	SEAL KIT	170.00	120.00	358.70	RKOB-2438U915R100	SEAL KIT		75.00	75.43
RKOB-2438U1172R100	SEAL KIT		100.00	83.61	RKOB-2438U915R110	SEAL KIT	120.00		142.96
RKOB-2438U1172R200	SEAL KIT	150.00		158.59	RKOB-2438U921R100	SEAL KIT		95.00	93.31
RKOB-2438U1172R500	SEAL KIT	150.00	100.00	338.20	RKOB-2438U921R110	SEAL KIT	145.00		179.31
RKOB-2438U1173R100	SEAL KIT		115.00	136.16	RKOB-2438U922R100	SEAL KIT		70.00	79.25
RKOB-2438U1173R200	SEAL KIT	170.00		282.07	RKOB-2438U922R110	SEAL KIT	105.00		76.34
RKOB-2438U1173R300	SEAL KIT	170.00	115.00	405.27	RKOB-2438U941R100	SEAL KIT		100.00	130.04
RKOB-2438U1174R100	SEAL KIT		130.00	126.21	RKOB-2438U941R200	SEAL KIT	145.00		246.28
RKOB-2438U1174R200	SEAL KIT	190.00		394.05	RKOB-2438U953R100	SEAL KIT		105.00	169.56
RKOB-2438U1174R300	SEAL KIT	190.00	130.00	576.92	RKOB-2438U953R200	SEAL KIT	150.00		320.54
RKOB-2438U1175R100	SEAL KIT		110.00	132.93	RKOB-2438U959R100	SEAL KIT		85.00	88.98
RKOB-2438U1175R200	SEAL KIT	160.00		130.61	RKOB-2438U959R200	SEAL KIT	130.00		199.22
RKOB-2438U1323R100	SEAL KIT		110.00	147.84	RKOB-2438U971R100	SEAL KIT		70.00	104.02
RKOB-2438U1323R110	SEAL KIT	160.00		281.83	RKOB-2438U971R200	SEAL KIT	105.00		139.41
RKOB-2438U1323R200	SEAL KIT		110.00	117.85	RKOB-2438U973R100	SEAL KIT		80.00	117.51
RKOB-2438U1324R100	SEAL KIT		100.00	105.07	RKOB-2438U973R200	SEAL KIT	120.00		195.86
RKOB-2438U1324R110	SEAL KIT	150.00		136.31	RKOB-2438U974R100	SEAL KIT		65.00	89.39
RKOB-2438U1324R200	SEAL KIT		100.00	137.56	RKOB-2438U974R200	SEAL KIT	100.00		144.14
RKOB-2438U1343R120	SEAL KIT		130.00	185.46	RKOB-2438U982R100	SEAL KIT	145.00		175.73
RKOB-2438U1946R200	SEAL KIT	120.00		138.74	RKOB-2438U984R300	SEAL KIT	170.00		243.24
RKOB-2438U1946R300	SEAL KIT	120.00	80.00	206.15	RKOB-2438U985R300	SEAL KIT	180.00		253.12
RKOB-2438U1948R100	SEAL KIT		90.00	93.06	RKOB-2438U989R100	SEAL KIT		70.00	100.98
RKOB-2438U1948R200	SEAL KIT	130.00		190.89	RKOB-2438U989R200	SEAL KIT	100.00		138.24
RKOB-2438U1948R400	SEAL KIT		90.00	107.43	RKOB-2438U989R300	SEAL KIT	100.00	70.00	207.20
RKOB-2438U1948R500	SEAL KIT	130.00	90.00	298.31	RKOB-2438U991R100	SEAL KIT		75.00	100.14
RKOB-2438U1949R100	SEAL KIT		75.00	66.60	RKOB-2438U991R200	SEAL KIT	115.00		196.19
RKOB-2438U1949R200	SEAL KIT	110.00		171.04	RKOB-2438U991R300	SEAL KIT	115.00	75.00	256.68
RKOB-2438U1949R300	SEAL KIT	110.00	75.00	266.97	RKOB-2438U992R100	SEAL KIT		65.00	84.59
RKOB-2438U1949R400	SEAL KIT		75.00	76.89	RKOB-2438U992R200	SEAL KIT	95.00		136.88
RKOB-2438U1949R500	SEAL KIT	110.00	75.00	217.61	RKOB-2438U992R300	SEAL KIT	95.00	65.00	191.84
RKOB-2438U553R100	SEAL KIT		75.00	104.14	RKOB-2438U995R100	SEAL KIT		80.00	83.74
RKOB-2438U568R100	SEAL KIT		90.00	118.04	RKOB-2438U995R200	SEAL KIT	120.00		220.10
RKOB-2438U568R110	SEAL KIT	130.00		166.87	RKOB-2438U996R100	SEAL KIT		85.00	114.57
RKOB-2438U587R100	SEAL KIT		90.00	117.75	RKOB-2438U996R200	SEAL KIT	125.00		241.01
RKOB-2438U587R110	SEAL KIT	140.00		177.28	RKOB-2438U999R100	SEAL KIT		90.00	110.02
RKOB-2438U588R110	SEAL KIT		100.00	127.51	RKOB-2438U999R200	SEAL KIT	140.00		211.90
RKOB-2438U588R120	SEAL KIT	150.00		180.98	RKOB-2445R174R200	SEAL KIT	180.00		199.04
RKOB-2438U662R110	SEAL KIT	170.00		160.63	RKOB-2445Z2736	SEAL KIT	80.000	90.000	14.67

All manufacturer's names, part numbers and descriptions are used for reference purposes only. We do not imply that any part shown is the product of these manufacturers.

INDUSTRIAL SEAL KITS

MOBILE SEAL KITS

KOBELCO

KOBELCO

KIT LISTING

INDUSTRIAL SEAL KITS

MOBILE SEAL KITS

KOBELCO

Ref. Number	Desc.	Bore	Rod	\$	Ref. Number	Desc.	Bore	Rod	\$
RKOB-2445Z-921F1	SEAL KIT	100.00		83.56	RKOB-YN01V00001R200	SEAL KIT	120.00		82.95
RKOB-2445Z-922F1	SEAL KIT		50.00	73.92	RKOB-YN01V00002R100	SEAL KIT		80.00	73.39
RKOB-290TAK	SEAL KIT		90.00	48.13	RKOB-YN01V00002R200	SEAL KIT	120.00		105.28
RKOB-K3V/180DTH	SEAL KIT			229.89	RKOB-YN01V00003R100	SEAL KIT		95.00	42.75
RKOB-LB01V00003R100	SEAL KIT		105.00	104.34	RKOB-YN01V00003R200	SEAL KIT	135.00		216.93
RKOB-LB01V00003R200	SEAL KIT	150.00		174.06	RKOB-YN01V00003R300	SEAL KIT	135.00	95.00	345.82
RKOB-LB01V00004R100	SEAL KIT		90.00	76.53	RKOB-YN01V00004R100	SEAL KIT		75.00	110.69
RKOB-LB01V00004R200	SEAL KIT	130.00		123.72	RKOB-YN01V00004R200	SEAL KIT	115.00		174.76
RKOB-LB01V00007R100	SEAL KIT		105.00	131.30	RKOB-YN01V00004R300	SEAL KIT	115.00	75.00	165.46
RKOB-LB01V00019R100	SEAL KIT		105.00	179.15	RKOB-YN01V00019R100	SEAL KIT	135.00		179.12
RKOB-LB01V00019R200	SEAL KIT	150.00		213.51	RKOB-YN01V00039R100	SEAL KIT		95.00	65.22
RKOB-LB01V00019R300	SEAL KIT	150.00	105.00	392.64	RKOB-YN01V00039R200	SEAL KIT	135.00		162.51
RKOB-LC01V00001R200	SEAL KIT	140.00		142.13	RKOB-YN01V00052R100	SEAL KIT		85.00	40.30
RKOB-LC01V00001R300	SEAL KIT	140.00	100.00	700.35	RKOB-YN01V00052R200	SEAL KIT	N/A	N/A	149.24
RKOB-LC01V00005R100	SEAL KIT		120.00	126.09	RKOB-YN01V00068R100	SEAL KIT		80.00	40.42
RKOB-LC01V00005R200	SEAL KIT	170.00		254.14	RKOB-YN01V00068R200	SEAL KIT	115.00		43.11
RKOB-LC01V00006R100	SEAL KIT		100.00	86.36	RKOB-YN01V00068R300	SEAL KIT	115.00	80.00	83.54
RKOB-LC01V00006R200	SEAL KIT	150.00		137.89	RKOB-YN01V00103R100	SEAL KIT		85.00	95.12
RKOB-LC01V00054R100	SEAL KIT		120.00	172.21	RKOB-YN01V00103R200	SEAL KIT	125.00		228.42
RKOB-LC01V00054R200	SEAL KIT	170.00		182.76	RKOB-YN01V00103R900	SEAL KIT	125.00	85.00	218.19
RKOB-LC01V00054R300	SEAL KIT	170.00	120.00	354.97	RKOB-YN01V00105R100	SEAL KIT		95.00	124.10
RKOB-LQ01V00001R200	SEAL KIT	135.00		106.37	RKOB-YN01V00105R200	SEAL KIT	135.00		252.33
RKOB-LQ01V00001R400	SEAL KIT		90.00	79.96	RKOB-YN01V00105R900	SEAL KIT	135.00	95.00	270.37
RKOB-LQ01V00004R400	SEAL KIT		85.00	65.74	RKOB-YN01V00112R100	SEAL KIT		80.00	106.50
RKOB-LQ01V00007R100	SEAL KIT		100.00	86.09	RKOB-YN01V00112R800	SEAL KIT	120.00		191.27
RKOB-LQ01V00007R200	SEAL KIT	140.00		144.45	RKOB-YN01V00112R900	SEAL KIT	120.00	80.00	277.25
RKOB-LQ01V00008R200	SEAL KIT	120.00		116.74	RKOB-YN01V00151R300	SEAL KIT	120.00	85.00	315.36
RKOB-LQ01V0005R300	SEAL KIT	135.00	90.00	252.57	RKOB-YN01V00151R600	SEAL KIT	120.00		133.24
RKOB-LS01V00001R100	SEAL KIT		115.00	179.88	RKOB-YN01V00153R100	SEAL KIT		80.00	563.50
RKOB-LS01V00001R200	SEAL KIT	170.00		263.72	RKOB-YN01V00153R300	SEAL KIT	120.00	80.00	319.54
RKOB-LS01V00003R100	SEAL KIT		130.00	165.08	RKOB-YN01V00175R300	SEAL KIT	135.00	95.00	279.25
RKOB-LS01V00003R200	SEAL KIT	190.00		360.70	RKOB-YN30V00002R100	SEAL KIT			17.79
RKOB-LS01V00004R100	SEAL KIT		110.00	113.64	RKOB-YT01V00001R100	SEAL KIT		70.00	98.01
RKOB-LS01V00004R200	SEAL KIT	160.00		288.35	RKOB-YT01V00002R100	SEAL KIT		65.00	93.98
RKOB-YB01V00001R100	SEAL KIT		80.00	96.36	RKOB-YT01V00003R100	SEAL KIT		55.00	95.22
RKOB-YB01V00001R200	SEAL KIT	115.00		169.84	RKOB-YX01V00005R100	SEAL KIT		65.00	75.31
RKOB-YB01V00003R100	SEAL KIT		90.00	109.19	RKOB-YX01V00005R200	SEAL KIT	95.00		103.16
RKOB-YB01V00003R200	SEAL KIT	125.00		212.18	RKOB-YY01V00003R100	SEAL KIT		80.00	63.66
RKOB-YB01V00004R100	SEAL KIT		75.00	64.27	RKOB-YY01V00003R200	SEAL KIT	115.00		120.59
RKOB-YB01V00004R200	SEAL KIT	105.00		141.38					
RKOB-YB01V00010R100	SEAL KIT		90.00	119.54					
RKOB-YM01V00006R100	SEAL KIT		80.00	106.71					
RKOB-YM01V00006R200	SEAL KIT	110.00		147.90					
RKOB-YM01V00008R100	SEAL KIT		90.00	120.99					
RKOB-YM01V00008R200	SEAL KIT	125.00		209.69					
RKOB-YM01V00009R100	SEAL KIT		75.00	98.33					
RKOB-YM01V00009R200	SEAL KIT	105.00		151.63					
RKOB-YN01V00001R100	SEAL KIT		80.00	68.65					

All manufacturer's names, part numbers and descriptions are used for reference purposes only. We do not imply that any part shown is the product of these manufacturers.

Remsa [KITS]

BEARINGS

KOBELCO

Ref. Number	Desc.	\$	Ref. Number	Desc.	\$
RKOB-2405P496	BEARING	211.76	RKOB-2438U1949S4	BEARING	18.85
RKOB-2438U1097S18	BEARING	42.93	RKOB-2438U255E15	BEARING	49.79
RKOB-2438U1099S19	BEARING	41.40	RKOB-2438U394S12	BEARING	76.42
RKOB-2438U1106S17	BEARING	66.44	RKOB-2438U953S4	BEARING	80.34
RKOB-2438U1109S14	BEARING	59.71	RKOB-2438U959S4	BEARING	66.44
RKOB-2438U1171S4	BEARING	171.35	RKOB-2438U999S4	BEARING	54.87
RKOB-2438U1175S15	BEARING	74.40	RKOB-YN01V00003S015	BEARING	64.73
RKOB-2438U1261S16	BEARING	73.79	RKOB-2438U1104S4	BEARING	33.71
RKOB-2438U1323S4	BEARING	93.75	RKOB-2438U1949S4	BEARING	18.85
RKOB-2438U1324S4	BEARING	72.40			

ORINGS

KOBELCO

Ref. Number	Desc.	\$	Ref. Number	Desc.	\$
RKOB-2429U71S19	O'RING	0.98	RKOB-ZD11G13000	O'RING	4.59
RKOB-2436U1457S162	O'RING	0.31	RKOB-ZD11G13500	O'RING	4.72
RKOB-2438U1323S10	O'RING	6.92	RKOB-ZD11G16500	O'RING	8.45
RKOB-2438U1324S10	O'RING	5.71	RKOB-ZD11G17000	O'RING	8.57
RKOB-2438U776S10	O'RING	5.71	RKOB-ZD11G19000	O'RING	9.37
RKOB-2438U914D1S14	O'RING	1.00	RKOB-ZD11G20000	O'RING	12.02
RKOB-45Z91D125	O'RING	1.34	RKOB-ZD11G22000	O'RING	13.90
RKOB-YN30V00079S261	O'RING	2.24	RKOB-ZD11P01000	O'RING	0.49
RKOB-YT01V00003S708	ORING	3.27	RKOB-ZD11P01100	O'RING	0.49
RKOB-YT10V00003S710	ORING	2.99	RKOB-ZD11P01200	O'RING	0.49
RKOB-YX10V00003S015	ORING	2.76	RKOB-ZD11P01400	O'RING	0.61
RKOB-YX10V01001S010	ORING	7.22	RKOB-ZD11P01500	O'RING	0.61
RKOB-YX10V01001S012	ORING	4.19	RKOB-ZD11P01600	O'RING	0.61
RKOB-YX10V01001S015	ORING	3.06	RKOB-ZD11P01800	O'RING	0.61
RKOB-ZD11G02500	O'RING	0.61	RKOB-ZD11P02000	O'RING	0.61
RKOB-ZD11G03000	O'RING	0.80	RKOB-ZD11P02100	O'RING	0.61
RKOB-ZD11G03500	O'RING	0.86	RKOB-ZD11P02200	O'RING	0.73
RKOB-ZD11G04000	O'RING	1.04	RKOB-ZD11P02600	O'RING	0.86
RKOB-ZD11G04500	O'RING	1.10	RKOB-ZD11P03200	O'RING	1.10
RKOB-ZD11G05000	O'RING	1.29	RKOB-ZD11P04800	O'RING	1.71
RKOB-ZD11G05500	O'RING	1.29	RKOB-ZD11P08000	O'RING	3.26
RKOB-ZD11G06000	O'RING	1.53	RKOB-ZD11P11000	O'RING	4.40
RKOB-ZD11G06500	O'RING	1.65	RKOB-ZD11P13000	O'RING	10.29
RKOB-ZD11G07000	O'RING	1.71	RKOB-ZD11P18000	O'RING	18.68
RKOB-ZD11G07500	O'RING	1.96	RKOB-ZD12A01600	O'RING	0.09
RKOB-ZD11G08000	O'RING	2.02	RKOB-ZD12A01600	O'RING	0.09
RKOB-ZD11G08500	O'RING	2.20	RKOB-ZD12A01800	O'RING	0.09
RKOB-ZD11G09000	O'RING	2.63	RKOB-ZD12A01800	O'RING	0.09
RKOB-ZD11G09500	O'RING	2.88	RKOB-ZD12G02500	ORING	0.61
RKOB-ZD11G10000	O'RING	3.25	RKOB-ZD12G03000	O'RING	1.00
RKOB-ZD11G11000	O'RING	3.74	RKOB-ZD12G03500	O'RING	1.08

All manufacturer's names, part numbers and descriptions are used for reference purposes only. We do not imply that any part shown is the product of these manufacturers.

INDUSTRIAL SEAL KITS

MOBILE SEAL KITS

KOBELCO

KOBELCO

ORINGS

Ref. Number	Desc.	\$	Ref. Number	Desc.	\$
RKOB-ZD12G04000	O'RING	1.31	RKOB-ZD12P02200	O'RING	0.92
RKOB-ZD12G04500	O'RING	1.10	RKOB-ZD12P02240	O'RING	0.92
RKOB-ZD12G05000	O'RING	1.62	RKOB-ZD12P02290	O'RING	0.92
RKOB-ZD12G05500	O'RING	1.62	RKOB-ZD12P02400	O'RING	0.92
RKOB-ZD12G06500	O'RING	0.78	RKOB-ZD12P02500	O'RING	0.92
RKOB-ZD12G07500	O'RING	1.12	RKOB-ZD12P02600	O'RING	0.92
RKOB-ZD12G08000	O'RING	1.14	RKOB-ZD12P02800	O'RING	1.08
RKOB-ZD12G08500	O'RING	1.61	RKOB-ZD12P02900	O'RING	1.08
RKOB-ZD12G09000	O'RING	1.17	RKOB-ZD12P03000	O'RING	1.22
RKOB-ZD12G09500	O'RING	2.12	RKOB-ZD12P03200	O'RING	1.38
RKOB-ZD12G10000	O'RING	1.32	RKOB-ZD12P03400	O'RING	1.38
RKOB-ZD12G10500	O'RING	1.34	RKOB-ZD12P03500	O'RING	1.38
RKOB-ZD12G11000	O'RING	5.73	RKOB-ZD12P03600	O'RING	1.38
RKOB-ZD12G11500	O'RING	2.07	RKOB-ZD12P03800	O'RING	1.46
RKOB-ZD12G12000	O'RING	1.81	RKOB-ZD12P03900	O'RING	1.58
RKOB-ZD12G14000	O'RING	5.58	RKOB-ZD12P04000	O'RING	1.69
RKOB-ZD12G14500	O'RING	6.52	RKOB-ZD12P04200	O'RING	1.76
RKOB-ZD12G15000	O'RING	5.81	RKOB-ZD12P04400	O'RING	1.76
RKOB-ZD12G16000	O'RING	3.67	RKOB-ZD12P04500	O'RING	1.76
RKOB-ZD12G17000	O'RING	4.49	RKOB-ZD12P05000	O'RING	2.30
RKOB-ZD12P00500	O'RING	0.61	RKOB-ZD12P06000	O'RING	3.75
RKOB-ZD12P00600	O'RING	0.61	RKOB-ZD12P09000	O'RING	3.81
RKOB-ZD12P00700	O'RING	0.61	RKOB-ZD12P09500	O'RING	3.95
RKOB-ZD12P00800	O'RING	0.61	RKOB-ZD12P11000	O'RING	5.24
RKOB-ZD12P00900	O'RING	0.61	RKOB-ZD12P11500	O'RING	5.32
RKOB-ZD12P01000	O'RING	0.61	RKOB-ZD12P12000	O'RING	5.43
RKOB-ZD12P01100	O'RING	0.61	RKOB-ZD12P13000	O'RING	5.55
RKOB-ZD12P01200	O'RING	0.61	RKOB-ZD12P13500	O'RING	5.64
RKOB-ZD12P01250	O'RING	0.77	RKOB-ZD12P14000	O'RING	5.71
RKOB-ZD12P01400	O'RING	0.77			
RKOB-ZD12P01500	O'RING	0.77			
RKOB-ZD12P01600	O'RING	0.77			
RKOB-ZD12P01800	O'RING	0.77			
RKOB-ZD12P02000	O'RING	0.77			
RKOB-ZD12P02100	O'RING	0.77			

INDUSTRIAL SEAL KITS

MOBILE SEAL KITS

KOBELCO

KOBELCO

ROD WIPERS

Ref. Number	Desc.	\$	Ref. Number	Desc.	\$
RKOB-P1622900N05	90.00 - ROD WIPER	18.74	RKOB-2438U588S38	100.00 - ROD WIPER	49.15
RKOB-2438U1324S9	100.00 - ROD WIPER	49.15	RKOB-2438U953S10	105.00 - ROD WIPER	47.49

All manufacturer's names, part numbers and descriptions are used for reference purposes only. We do not imply that any part shown is the product of these manufacturers.

Remsa [KITS]

PIN WIPERS

KOBELCO

Ref. Number	Desc.	\$	Ref. Number	Desc.	\$
RKOB-2438U1102S31	PIN WIPER	12.41	RKOB-2445R220D13	PIN WIPER	43.55
RKOB-2438U1109S28	PIN WIPER	12.41	RKOB-2445R220D2	PIN WIPER	17.22
RKOB-2438U1106S6	PIN WIPER	15.66	RKOB-2445R220D4	PIN WIPER	19.45
RKOB-2445R138D1	PIN WIPER	14.57	RKOB-2445R220D5	PIN WIPER	14.24
RKOB-2445R138D10	PIN WIPER	26.33	RKOB-2445R220D6	PIN WIPER	21.74
RKOB-2445R138D11	PIN WIPER	24.37	RKOB-2445R220D7	PIN WIPER	14.39
RKOB-2445R138D13	PIN WIPER	13.47	RKOB-2445R372D2	PIN WIPER	19.99
RKOB-2445R138D14	PIN WIPER	35.10	RKOB-2445R372D4	PIN WIPER	32.99
RKOB-2445R138D2	PIN WIPER	16.94	RKOB-2445R372D5	PIN WIPER	39.73
RKOB-2445R138D3	PIN WIPER	14.93	RKOB-2445R372D6	PIN WIPER	23.80
RKOB-2445R138D4	PIN WIPER	22.82	RKOB-2445R372D7	PIN WIPER	19.14
RKOB-2445R138D6	PIN WIPER	24.35	RKOB-2445R372D9	PIN WIPER	54.20
RKOB-2445R138D7	PIN WIPER	25.95	RKOB-2445R382D5	PIN WIPER	39.73
RKOB-2445R138D8	PIN WIPER	30.31	RKOB-2445Z1444	PIN WIPER	30.37
RKOB-2445R138D9	PIN WIPER	24.89	RKOB-ZD58F300400R	VULCANIZED KOBELCO O'RING	61.10
RKOB-2445R220D1	PIN WIPER	14.93			

ROD SEAL

KOBELCO

Ref. Number	Desc.	\$	Ref. Number	Desc.	\$
RKOB-2438U561S11	70.00 - ROD SEAL	18.10	RKOB-2438U720S21	95.00 - ROD SEAL	26.84
RKOB-2438U309S35	75.00 - ROD SEAL	19.93	RKOB-2438U776S7	95.00 - ROD SEAL	27.08
RKOB-2418U130D34	80.00 - ROD SEAL	22.19	RKOB-2438U1324S7	100.00 - ROD SEAL	29.36
RKOB-2438U914D1S21	85.00 - ROD SEAL	24.10	RKOB-2438U953S7	105.00 - ROD SEAL	36.47
RKOB-2438U959S7	85.00 - ROD SEAL	27.80	RKOB-2438U1323S7	110.00 - ROD SEAL	39.18
RKOB-2438U999S7	90.00 - ROD SEAL	25.37	RKOB-2418U130D23	110.00 - ROD SEAL	37.30
RKOB-2445Z1034	90.00 - ROD SEAL	24.85	RKOB-2438U352S10	120.00 - ROD SEAL	41.73
			RKOB-2418U130D29	130.00 - ROD SEAL	37.06

BUFFER RING

KOBELCO

Ref. Number	Desc.	\$	Ref. Number	Desc.	\$
RKOB-R45P0050D6	65.00 - BUFFER RING	23.91	RKOB-2438U1324S6	100.00 - BUFFER RING	36.36
RKOB-R45P0050D1	70.00 - BUFFER RING	27.78	RKOB-2438U953S6	105.00 - BUFFER RING	41.37
RKOB-R45P0050D2	75.00 - BUFFER RING	29.63	RKOB-2438U1323S6	110.00 - BUFFER RING	43.18
RKOB-R45P0050D9	80.00 - BUFFER RING	31.93	RKOB-R45P0050D12	110.00 - BUFFER RING	43.18
RKOB-2438U278S25	85.00 - BUFFER RING	31.53	RKOB-R45P0050D4	120.00 - BUFFER RING	43.26
RKOB-2438U959S6	85.00 - BUFFER RING	31.53	RKOB-R45P0050D13	130.00 - BUFFER RING	44.07
RKOB-2438U999S6	90.00 - BUFFER RING	30.85			
RKOB-2438U720S19	95.00 - BUFFER RING	35.79			
RKOB-2438U776S6	95.00 - BUFFER RING	35.79			
RKOB-R45P0050D11	100.00 - BUFFER RING	36.36			

All manufacturer's names, part numbers and descriptions are used for reference purposes only. We do not imply that any part shown is the product of these manufacturers.

INDUSTRIAL SEAL KITS

MOBILE SEAL KITS

KOBELCO

KOBELCO

PISTON SEAL

Ref. Number	Desc.	\$	Ref. Number	Desc.	\$
RKOB-2438U504S7	100.00 - PISTON SEAL	36.25	RKOB-2438U706S6	145.00 - PISTON SEAL	48.36
RKOB-2438U807S4	105.00 - PISTON SEAL	35.66	RKOB-2438U982S6	145.00 - PISTON SEAL	73.02
RKOB-2438U695S6	120.00 - PISTON SEAL	39.86	RKOB-2438U776S15	150.00 - PISTON SEAL	50.63
RKOB-2438U995S8	120.00 - PISTON SEAL	53.27	RKOB-2438U1324S15	150.00 - PISTON SEAL	50.63
RKOB-2438U980S8	125.00 - PISTON SEAL	59.23	RKOB-2438U1323S15	160.00 - PISTON SEAL	55.27
RKOB-2438U1382S15	130.00 - PISTON SEAL	41.24	RKOB-2438U984S10	170.00 - PISTON SEAL	101.49
RKOB-2438U999S16	140.00 - PISTON SEAL	47.09	RKOB-2438U985S8	180.00 - PISTON SEAL	93.87

KOBELCO

BACKUP RINGS

Ref. Number	Desc.	\$	Ref. Number	Desc.	\$
RKOB-2438U1323S11	REPLACEMENT BACKUP RING	7.45	RKOB-2438U959S12	REPLACEMENT BACKUP RING	6.11
RKOB-2438U1323S8	REPLACEMENT BACKUP RING	20.60	RKOB-2438U959S8	REPLACEMENT BACKUP RING	6.96
RKOB-2438U1324S11	REPLACEMENT BACKUP RING	7.06	RKOB-2438U999S12	REPLACEMENT BACKUP RING	6.50
RKOB-2438U1324S8	REPLACEMENT BACKUP RING	17.96	RKOB-2438U999S8	REPLACEMENT BACKUP RING	9.94
RKOB-2438U738S26	REPLACEMENT BACKUP RING	3.14	RKOB-2445R216D22	REPLACEMENT BACKUP RING	8.23
RKOB-2438U776S11	REPLACEMENT BACKUP RING	7.06	RKOB-ZD75G07500	REPLACEMENT BACKUP RING	5.92
RKOB-2438U776S8	REPLACEMENT BACKUP RING	9.94	RKOB-ZD75G08000	REPLACEMENT BACKUP RING	6.00
RKOB-2438U897S13	REPLACEMENT BACKUP RING	8.11	RKOB-ZD75G09000	REPLACEMENT BACKUP RING	5.84
RKOB-2438U914S27	REPLACEMENT BACKUP RING	5.84	RKOB-ZD75G09500	REPLACEMENT BACKUP RING	5.84
RKOB-2438U915S13	REPLACEMENT BACKUP RING	5.60	RKOB-ZD75G10000	REPLACEMENT BACKUP RING	6.00
RKOB-2438U921S16	REPLACEMENT BACKUP RING	6.78	RKOB-ZD75G10500	REPLACEMENT BACKUP RING	6.13
RKOB-2438U921S33	REPLACEMENT BACKUP RING	6.78	RKOB-ZD75G11500	REPLACEMENT BACKUP RING	6.25
RKOB-2438U922S17	REPLACEMENT BACKUP RING	4.92	RKOB-ZD85P11000	REPLACEMENT BACKUP RING	5.60
RKOB-2438U953S8	REPLACEMENT BACKUP RING	18.59			

KOEHRING

KITS

Ref. Number	Desc.	Bore	Rod	\$	Ref. Number	Desc.	Bore	Rod	\$
RKOE-203088	SEAL KIT	4.750	3.250	5.08	RKOE-8205603	SEAL KIT	4.000	2.000	38.41
RKOE-204650	SEAL KIT	4.750	3.250	49.83	RKOE-8205604	SEAL KIT	4.000	1.500	35.31
RKOE-205792	SEAL KIT	6.000	4.000	224.51	RKOE-8205629	SEAL KIT	2.250	0.875	15.97
RKOE-207889	SEAL KIT	11.000	5.500	164.65	RKOE-8205635	SEAL KIT	4.000	2.000	32.89
RKOE-24589	SEAL KIT	6.500	3.500	41.93	RKOE-8205639	SEAL KIT	6.000	2.500	74.58
RKOE-28054	SEAL KIT	4.000	2.500	37.54	RKOE-8205640	SEAL KIT	4.250	1.750	46.42
RKOE-29760	SEAL KIT	4.000	2.500	15.59	RKOE-8205641	SEAL KIT	5.000	2.000	55.63
RKOE-603E2503	SEAL KIT	3.500	1.750	49.30	RKOE-8205642	SEAL KIT	4.000	3.000	40.45
RKOE-6620BC	SEAL KIT	120.00	80.00	159.22	RKOE-8205642-1	SEAL KIT	4.500	3.000	28.86
RKOE-7004208	SEAL KIT	4.000	2.000	84.82	RKOE-8205643	SEAL KIT	3.000	1.500	33.16
RKOE-8030236	SEAL KIT	2.750	1.000	13.86	RKOE-8205646	SEAL KIT	4.500	3.000	29.12
RKOE-8032707	SEAL KIT	5.000	2.000	46.68	RKOE-8205648	SEAL KIT	2.500	1.250	15.83
RKOE-8032718	SEAL KIT	5.500	3.000	38.25	RKOE-8205668	SEAL KIT	5.500	3.000	50.56
RKOE-8032957	SEAL KIT	2.250	1.500	7.92	RKOE-A24589	SEAL KIT	6.500	3.500	41.93
RKOE-8033253	SEAL KIT	2.250	1.125	25.67	RKOE-U335F1532	SEAL KIT	7.000	4.500	376.61
RKOE-8033489	SEAL KIT	2.250	1.500	25.67	RKOE-U901V334	SEAL KIT	8.000	5.500	388.23
RKOE-8205601	SEAL KIT	N/A	3.500	22.18					
RKOE-8205602	SEAL KIT	4.000	3.000	48.38					

All manufacturer's names, part numbers and descriptions are used for reference purposes only. We do not imply that any part shown is the product of these manufacturers.

INDEX FOR SEAL KITS

KOMATSU

CRAWLER DOZER								KITS 503
D20A-5	D31P-17A	D37E-1	D41Q-3	D53S-17	D60S-8	D75S-3	D135A-1	
D20P-5	D31P-17B	D37E-2	D41S-3	D57S-1	D63E-1	D75S-5	D135A-2	
D20PL-5	D31PL-	D37P-1	D475A-3	D58E-1	D65A-8	D80A-18	D155A-1	
D20Q-5	17A	D37P-2	D50A-16	D58P-1	D65E-8	D80E-18	D155A-2	
D20S-5	D31PLL-	D40A-3	D50A-17	D60A-7	D65P-7	D83E-1		
D21P-5	17B	D40F-3	D50P-16	D60A-8	D65P-8	D83P-1		
D21PL-5	D31PQ-17	D40P3	D50P-17	D60E-8	D65S-7	D85A-18		
D21Q-5	D31Q-18	D40PL-3	D50PL-17	D60P-7	D65S-8	D85A-21		
D21S-5	D31S-17	D40PLL-3	D53A-16	D60P-8	D66S-1	D85E-18		
D31A-17	D31S-18	D41A-3	D53A-17	D60PL-7	D68E-1	D85E-21		
D31E-18	D375A-1	D41E-3	D53P-16	D60PL-8	D68P-1	D85E-21		
D31P-17	D375A-2	D41P-3	D53P-17	D60S-7	D75A-1	D95S-2		

MOTOR GRADER								KITS 511
GD200A-1	GD500R-2	GD521A-1	GD523R-1	GD611A-1	GD615A-1	GD623A-1	GD705A-3	
GD300A-1	GD505A-2	GD521R-1	GD600R-3	GD611R-1	GD621A-1	GD625A-1	GD705A-4	
GD405A-1	GD505R-2	GD523A-1	GD605A-3	GD613A-1	GD621R-1	GD663A-1	GD825A-1	

DUMP TRUCK				KITS 513
HD325-3	HD325-5	HD465-3	HD785-3	

TRACKED EXCAVATOR								KITS 514
PC20-5	PC80-3	PC100L-3	PC120-6	PC200-3	PC210LC-6	PC220-5	PC360LC-3	
PC30-5	PC80LC-3	PC100L-5	PC150-1	PC200LC-3	PC220	PC220-LC5	PC400-3	
PC40-5	PC90-1	PC100U-3	PC150-3	PC200-3	PC220L	PC280LC-3	PC400LC-3	
PC40-6	PC100-1	PC120-1	PC150-5	PC200LC-3	PC220-2	PC300-3	PC400-5	
PC60-5	PC100-2	PC120-2	PC150LC-3	PC200-5	PC220LC-2	PC300-LC3	PC400LC-5	
PC60L-5	PC100-3	PC120-3	PC200-1	PC200LC-5	PC220-3	PC300-5	PC1000-1	
PC75UU-1	PC100-5	PC120-5	PC200-2	PC210-6	PC220LC-3	PC300LC-5	PC1000SE-1	

WHEELED EXCAVATOR								KITS 519
PW20-1	PW30-1	PW60-3	PW100-1	PW100-3	PW100N-3	PW150-1	PW210-1	

WHEEL LOADER							KITS 520
WA30-1	WA100-1	WA180-1	WA300-1	WA380-1	WA450-1	WA600-1	
WA30-2	WA120-1	WA200-1	WA320-1	WA400-1	WA470-1	WA800-1	
WA70-1	WA150-1	WA250-1	WA350-1	WA420-1	WA500-1	WA800-2	

KOMATSU PARTS LISTING							KITS 524
------------------------------	--	--	--	--	--	--	-----------------

INDEX FOR SEAL KITS

KOMATSU (WABCO)

OFF-HIGHWAY TRUCK								KITS 534
630	685	730	830	930	930-1	930-2		

KOMATSU (WABCO) PARTS LISTING							KITS 536
--------------------------------------	--	--	--	--	--	--	-----------------

KOMATSU KIT LISTING							KITS 540
----------------------------	--	--	--	--	--	--	-----------------

All manufacturer's names, part numbers and descriptions are used for reference purposes only. We do not imply that any part shown is the product of these manufacturers.

Remsa [KITS]

KOMATSU

CRAWLER DOZER

INDUSTRIAL
SEAL KITS

MOBILE
SEAL KITS

KOMATSU

Model	Application	Serial Number	Cylinder Number	Bore (mm)	Rod (mm)	Ref. Number RKOM-	\$
D20A-5	TRIMMING	45001-UP	101-63-79300	70.00	35.00	707/98/12440	53.78
		45001-UP	101-63-79400	70.00	35.00	707/98/12440	53.78
D20P-5	TILT	45003-53245	101-63-52100	80.00	40.00	707/99/22010	75.99
		53245-UP	101-63-52101	80.00	40.00	707/99/22010	75.99
	TRIMMING	45003-UP	101-63-79300	70.00	35.00	707/98/12440	53.78
D20PL-5	TILT	45003-UP	101-63-79400	70.00	35.00	707/98/12440	53.78
		45001-50601	101-63-52100	80.00	40.00	707/99/22010	75.99
D20Q-5	LIFT	50602-UP	101-63-52101	80.00	40.00	707/99/22010	75.99
		45368-51505	103-63-22100	80.00	45.00	707/98/24050	77.85
D20S-5	LIFT	45368-51505	103-63-22200	80.00	45.00	707/98/24050	77.85
		51506-UP	103-63-22101	80.00	45.00	707/98/24050	77.85
		51506-UP	106-63-22201	80.00	45.00	707/98/24050	77.85
		45001-51497	103-63-22100	80.00	45.00	707/98/24050	77.85
		45001-51497	103-63-22200	80.00	45.00	707/98/24050	77.85
D21P-5	TILT	51498-UP	103-63-22101	80.00	45.00	707/98/24050	77.85
		51498-UP	103-63-22201	80.00	45.00	707/98/24050	77.85
		45007-53306	101-63-52100	80.00	40.00	707/99/22010	75.99
D21PL-5	TILT	53307-UP	101-63-52101	80.00	40.00	707/99/22010	75.99
		45013-50606	101-63-52100	80.00	40.00	707/99/22010	75.99
D21Q-5	LIFT	45094-51492	103-63-22100	80.00	45.00	707/98/24050	77.85
		45094-51492	103-63-22200	80.00	45.00	707/98/24050	77.85
		51493-UP	103-63-22101	80.00	45.00	707/98/24050	77.85
		51493-UP	103-63-22201	80.00	45.00	707/98/24050	77.85
D21S-5	LIFT	45003-51526	103-63-22100	80.00	45.00	707/98/24050	77.85
		45003-51526	103-63-22200	80.00	45.00	707/98/24050	77.85
		51527-UP	103-63-22101	80.00	45.00	707/98/24050	77.85
		51527-UP	103-63-22201	80.00	45.00	707/98/24050	77.85
D31A-17	PAT ANGLE	32001-UP	114-63-55500	90.00	40.00	114/63/05030	67.39
	PAT LIFT	32001-UP	114-63-12500	90.00	40.00	114/63/05030	67.39
		32001-UP	114-63-12600	90.00	40.00	114/63/05030	67.39
	PAT TILT	32001-UP	114-63-54501	90.00	40.00	114/63/05030	67.39
	RIPPER	32001-UP	113-63-42501	90.00	40.00	707/98/22500	72.18
	TRIMMING	32001-UP	114-63-79500	90.00	40.00	707/98/22500	72.18
		32001-UP	114-63-79600	90.00	40.00	707/98/22500	72.18
	TRIMMING LIFT	32001-UP	114-63-69500	90.00	40.00	707/98/22500	72.18
		32001-UP	114-63-79600	90.00	40.00	707/98/22500	72.18

All manufacturer's names, part numbers and descriptions are used for reference purposes only. We do not imply that any part shown is the product of these manufacturers.

Remsa [KITS]

CRAWLER DOZER

KOMATSU

Model	Application	Serial Number	Cylinder Number	Bore (mm)	Rod (mm)	Ref. Number RKOM-	\$
D31E-18	3 POINT HITCH	40001-UP	113-63-49500	80.00	45.00	707/98/24150	79.02
		40001-UP	113-63-49600	80.00	45.00	707/98/24150	79.02
	RIPPER	40001-UP	113-63-42501	90.00	40.00	707/98/22500	72.18
D31P-17	LIFT	32001-UP	11G-63-13500	90.00	40.00	114/63/05030	67.39
		32001-UP	11G-63-13600	90.00	40.00	114/63/05030	67.39
	TILT	32001-UP	11G-63-52500	90.00	40.00	707/98/22500	72.18
	TRIMMING	32001-UP	114-63-79500	90.00	40.00	707/98/22500	72.18
		32001-UP	114-63-79600	90.00	40.00	707/98/22500	72.18
	TRIMMING LIFT	32001-UP	114-63-69500	90.00	40.00	707/98/22500	72.18
		32001-UP	114-63-69600	90.00	40.00	707/98/22500	72.18
D31P-17A, D31P-17B	PAT ANGLE	32001-UP	114-63-55500	90.00	40.00	114/63/05030	67.39
	PAT LIFT	32001-UP	114-63-12500	90.00	40.00	114/63/05030	67.39
		32001-UP	114-63-12600	90.00	40.00	114/63/05030	67.39
	PAT TILT	32001-UP	114-63-54501	90.00	40.00	114/63/05030	67.39
	3 POINT HITCH	32001-UP	113-63-49500	80.00	45.00	707/98/24150	79.02
		32001-UP	113-63-49600	80.00	45.00	707/98/24150	79.02
D31PL-17A, D31PLL-17B	LIFT	32001-UP	11G-63-13600	90.00	40.00	114/63/05030	67.39
		32001-UP	11G-63-13500	90.00	40.00	114/63/05030	67.39
	TILT	32001-UP	11G-63-52500	90.00	40.00	707/98/22500	72.18
D31PQ-17	LIFT	32001-UP	113-63-22500	100.00	50.00	707/99/32010	101.04
		32001-UP	113-63-22600	100.00	50.00	707/99/32010	101.04
	DUMP	32001-UP	113-63-32500	80.00	45.00	707/98/24150	79.02
		32001-UP	113-63-32600	80.00	45.00	707/98/24150	79.02
D31Q-18	LIFT	40001-UP	113-63-02011	100.00	50.00	707/98/32050	94.79
		40001-UP	113-63-02021	100.00	50.00	707/98/32050	94.79
	3 POINT HITCH	40001-UP	113-63-49500	80.00	45.00	707/98/24150	79.02
		40001-UP	113-63-49600	80.00	45.00	707/98/24150	79.02
D31S-17	LIFT	32001-UP	113-63-22500	100.00	50.00	707/99/32010	101.04
		32001-UP	113-63-22600	100.00	50.00	707/99/32010	101.04
	DUMP	32001-UP	113-63-32500	80.00	45.00	707/98/24150	79.02
		32001-UP	113-63-32600	80.00	45.00	707/98/24150	79.02
	MULTI PURPOSE, BUCK. CLAM	32001-UP	113-63-59500	80.00	45.00	707/98/24150	79.02
D31S-18	LIFT	40001-UP	113-63-02011	100.00	50.00	707/98/32050	94.79
		40001-UP	113-63-02021	100.00	50.00	707/98/32050	94.79
	3 POINT HITCH	40001-UP	113-63-49500	80.00	45.00	707/98/24150	79.02
		40001-UP	113-63-49600	80.00	45.00	707/98/24150	79.02
	MULTI PURPOSE, BUCK. CLAM	40001-UP	113-63-59500	80.00	45.00	707/98/24150	79.02
	RIPPER	40001-UP	113-63-42501	90.00	40.00	707/98/22500	72.18

All manufacturer's names, part numbers and descriptions are used for reference purposes only. We do not imply that any part shown is the product of these manufacturers.

INDUSTRIAL SEAL KITS

MOBILE SEAL KITS

KOMATSU

KOMATSU

CRAWLER DOZER

INDUSTRIAL
SEAL KITS

MOBILE
SEAL KITS

KOMATSU

Model	Application	Serial Number	Cylinder Number	Bore (mm)	Rod (mm)	Ref. Number RKOM-	\$
D37E-1	3 POINT HITCH	1001-UP	113-63-49500	80.00	45.00	707/98/24150	79.02
		1001-UP	113-63-49600	80.00	45.00	707/98/24150	79.02
	ANGLE LIFT	1001-UP	11G-63-13500	90.00	40.00	114/63/05030	67.39
		1001-UP	11G-63-13600	90.00	40.00	114/63/05030	67.39
	PAT ANGLE	1001-UP	114-63-55500	90.00	40.00	114/63/05030	67.39
	PAT LIFT	1001-UP	114-63-12500	90.00	40.00	114/63/05030	67.39
		1001-UP	114-63-12600	90.00	40.00	114/63/05030	67.39
	PAT TILT	1001-UP	114-63-54501	90.00	40.00	114/63/05030	67.39
	RIPPER	1001-UP	113-63-42501	90.00	40.00	707/98/22500	72.18
	D37E-2	3 POINT HITCH	2001-UP	113-63-49500	80.00	45.00	707/98/24150
2001-UP			113-63-49600	80.00	45.00	707/98/24150	79.02
D37P-1	RIPPER	2001-UP	113-63-42501	90.00	40.00	707/98/22500	72.18
	3 POINT HITCH	1001-UP	113-63-49500	80.00	45.00	707/98/24150	79.02
		1001-UP	113-63-49600	80.00	45.00	707/98/24150	79.02
	ANGLE LIFT	1001-UP	11G-63-13500	90.00	40.00	114/63/05030	67.39
		1001-UP	11G-63-13600	90.00	40.00	114/63/05030	67.39
	PAT ANGLE	1001-UP	114-63-55500	90.00	40.00	114/63/05030	67.39
	PAT LIFT	1001-UP	114-63-12500	90.00	40.00	114/63/05030	67.39
		1001-UP	114-63-12600	90.00	40.00	114/63/05030	67.39
PAT TILT	1001-UP	114-63-54501	90.00	40.00	114/63/05030	67.39	
D37P-2	3 POINT HITCH	2001-UP	113-63-49500	80.00	45.00	707/98/24150	79.02
		2001-UP	113-63-49600	80.00	45.00	707/98/24150	79.02
D40A-3	LIFT	6001-UP	12F-63-13701	70.00	45.00	12F/63/05020	62.69
		6001-UP	12F-63-13801	70.00	45.00	12F/63/05020	62.69
	TRIMMING	6001-UP	124-63-79500	90.00	45.00	707/98/24530	108.27
		6001-UP	124-63-79600	90.00	45.00	707/98/24530	108.27
	TRIMMING LIFT	6001-UP	124-63-69500	70.00	45.00	707/98/15650	62.82
	6001-UP	124-63-69600	70.00	45.00	707/98/15650	62.82	
D40F-3	TOOL BAR	6221-UP	120-63-48100	140.00	70.00	707/98/52100	186.65
		6221-UP	120-63-48200	140.00	70.00	707/98/52100	186.65
	RIPPER	6001-UP	125-63-42300	120.00	60.00	707/98/41130	155.58
D40P3, D40PL-3, D40PLL-3	LIFT	6001-UP	12F-63-13701	70.00	45.00	12F/63/05020	62.69
		6001-UP	12F-63-13801	70.00	45.00	12F/63/05020	62.69
	TILT	6001-UP	12F-63-52500	100.00	50.00	12F/63/05060	104.39
D41A-3	LIFT	6001-UP	12F-63-13701	70.00	45.00	12F/63/05020	62.69
		6001-UP	12F-63-13801	70.00	45.00	12F/63/05020	62.69
	TRIMMING	6001-UP	124-63-79500	90.00	45.00	707/98/24530	108.27
		6001-UP	124-63-79600	90.00	45.00	707/98/24530	108.27
	TRIMMING LIFT	6001-UP	124-63-69500	70.00	45.00	707/98/15650	62.82
		6001-UP	124-63-69600	70.00	45.00	707/98/15650	62.82
RIPPER	6001-UP	125-63-42300	120.00	60.00	707/98/41130	155.58	

All manufacturer's names, part numbers and descriptions are used for reference purposes only. We do not imply that any part shown is the product of these manufacturers.

Remsa [KITS]

CRAWLER DOZER

KOMATSU

Model	Application	Serial Number	Cylinder Number	Bore (mm)	Rod (mm)	Ref. Number RKOM-	\$
D41E-3	LIFT	6001-UP	12F-63-13701	70.00	45.00	12F/63/05020	62.69
		6001-UP	12F-63-13801	70.00	45.00	12F/63/05020	62.69
	PAT ANGLE	6001-UP	124-63-55500	100.00	65.00	707/98/36180	106.98
		6001-UP	124-63-55600	100.00	65.00	707/98/36180	106.98
	PAT TILT	6001-UP	124-63-54500	120.00	60.00	707/98/41120	125.11
	TILT	6001-UP	12F-63-52500	100.00	50.00	12F/63/05060	104.39
D41P-3	LIFT	6001-UP	12F-63-13701	70.00	45.00	12F/63/05020	62.69
		6001-UP	12F-63-13801	70.00	45.00	12F/63/05020	62.69
	TILT	6001-UP	12F-63-52500	100.00	50.00	12F/63/05060	104.39
D41Q-3	LIFT	6001-UP	125-63-22701	110.00	60.00	707/98/35510	124.54
	MULTI PURPOSE, BUCK. CLAM SIDE DUMP	6001-UP	125-63-22801	110.00	60.00	707/98/35510	124.54
		6001-UP	125-63-59500	90.00	50.00	707/98/25510	116.72
D41S-3	LIFT	6001-UP	125-63-22701	110.00	60.00	707/98/35510	124.54
		6001-UP	125-63-22801	110.00	60.00	707/98/35510	124.54
	MULTI PURPOSE, BUCK. CLAM SIDE DUMP	6001-UP	125-63-59500	90.00	50.00	707/98/25510	116.72
		6001-UP	125-63-97500	80.00	50.00	707/98/25170	118.15
D50A-16, D53A-16	LIFT	65001-UP	130-63-12005	90.00	55.00	707/99/26410	87.02
		65001-UP	130-63-12105	90.00	55.00	707/99/26410	87.02
D50P-16	LIFT	65001-65007	13F-63-13100	90.00	55.00	130/63/05020	87.02
		65001-65007	13F-63-13200	90.00	55.00	130/63/05020	87.02
		65008-UP	13F-63-13101	90.00	55.00	130/63/05020	87.02
		65008-UP	13F-63-13201	90.00	55.00	130/63/05020	87.02
D50A-17, D53A-17	MAP TILT	80001-UP	144-63-53300	160.00	70.00	707/98/60110	118.85
		80001-UP	144-63-53400	160.00	70.00	707/98/60110	118.85
D50P-17, D50PL-17, D53P-17	TILT	80001-UP	130-63-52500	160.00	70.00	707/98/60120	120.08
D53P-16	LIFT	65280-UP	13F-63-13100	90.00	55.00	130/63/05020	87.02
		65280-UP	13F-63-13200	90.00	55.00	130/63/05020	87.02
D53S-17	DUMP	80001-UP	131-63-32004	130.00	65.00	707/98/42410	175.08
		80001-UP	131-63-32104	130.00	65.00	707/98/42410	175.08
	LIFT	80001-UP	131-63-22005	140.00	65.00	707/98/51100	153.46
		80001-UP	131-63-22105	140.00	65.00	707/98/51100	153.46

All manufacturer's names, part numbers and descriptions are used for reference purposes only. We do not imply that any part shown is the product of these manufacturers.

INDUSTRIAL SEAL KITS

MOBILE SEAL KITS

KOMATSU

KOMATSU

CRAWLER DOZER

INDUSTRIAL
SEAL KITS

MOBILE
SEAL KITS

KOMATSU

Model	Application	Serial Number	Cylinder Number	Bore (mm)	Rod (mm)	Ref. Number RKOM-	\$
D57S-1	BOTH-SIDE DUMP DUMP	PRIOR-9100	135-63-93100	100.00	55.00	707/99/34030	88.83
		6501-9000	135-63-32305	140.00	65.00	707/98/51100	153.46
		6501-9000	135-63-32406	140.00	65.00	707/98/51100	153.46
		9001-UP	135-63-32306	140.00	65.00	707/98/51110	147.91
	LIFT	9001-UP	135-63-32407	140.00	65.00	707/98/51110	147.91
		9001-UP	135-63-22305	150.00	70.00	707/98/52430	135.96
		9001-UP	135-63-22405	150.00	70.00	707/98/52430	135.96
D58E-1	TILT MAP TILT	80888-UP	130-63-52500	160.00	70.00	707/98/60120	120.08
		80888-UP	144-63-53300	160.00	70.00	707/98/60110	118.85
		80888-UP	144-63-53400	160.00	70.00	707/98/60110	118.85
D58P-1	TILT	80588-UP	130-63-52500	160.00	70.00	707/98/60120	120.08
D60A-7, D65A-7, D65E-7	LIFT	40001-UP	144-63-12501	110.00	65.00	707/99/36420	122.28
		40001-UP	144-63-12601	110.00	65.00	707/99/36420	122.28
D60A-8	LIFT	45001-UP	114-63-12502	110.00	65.00	144/63/05050	129.37
		45001-UP	144-63-12602	110.00	65.00	144/63/05050	129.37
	MAP TILT	45001-UP	144-63-53300	160.00	70.00	707/98/60110	118.85
		45001-UP	144-63-53400	160.00	70.00	707/98/60110	118.85
	TRIMMING	45001-UP	144-63-97300	120.00	55.00	707/99/40040	139.25
		45001-UP	144-63-97400	120.00	55.00	707/99/40040	139.25
D60E-8	TRIMMING LIFT	45001-UP	144-63-69500	110.00	65.00	707/99/36420	122.28
		45001-UP	144-63-69600	110.00	65.00	707/99/36420	122.28
	TILT RIPPER	45001-UP	144-63-52200	160.00	70.00	144/63/05080	118.98
		45001-UP	144-63-42100	160.00	75.00	707/98/61100	152.94
D60P-7, D60PL-7, D60P-8, D60PL-8	TILT	45001-UP	144-63-52200	160.00	70.00	144/63/05080	118.98
	LIFT	45001-UP	144-63-13503	110.00	65.00	144/63/05050	129.37
	LIFT	45001-UP	144-63-13603	110.00	65.00	144/63/05050	129.37
D60S-7	DUMP	40001-UP	141-63-32300	140.00	60.00	141/63/05010	136.67
		40001-UP	141-63-32400	140.00	60.00	141/63/05010	136.67
	LIFT	40001-UP	141-63-22300	160.00	75.00	141/63/05050	155.07
		40001-UP	141-63-22400	160.00	75.00	141/63/05050	155.07
D60S-8	DUMP	45001-UP	141-63-32300	140.00	60.00	141/63/05010	136.67
		45001-UP	141-63-32400	140.00	60.00	141/63/05010	136.67
	LIFT	45001-UP	141-63-22300	160.00	75.00	141/63/05050	155.07
		45001-UP	141-63-22400	160.00	75.00	141/63/05050	155.07

All manufacturer's names, part numbers and descriptions are used for reference purposes only. We do not imply that any part shown is the product of these manufacturers.

Remsa [KITS]

CRAWLER DOZER

KOMATSU

Model	Application	Serial Number	Cylinder Number	Bore (mm)	Rod (mm)	Ref. Number RKOM-	\$
D63E-1	TILT	1001-UP	130-63-52500	160.00	70.00	707/98/60120	120.08
	MAP TILT	1001-UP	144-63-53300	160.00	70.00	707/98/60110	118.85
		1001-UP	144-63-53400	160.00	70.00	707/98/60110	118.85
D65A-8	LIFT	45001-UP	144-63-12502	110.00	65.00	144/63/05050	129.37
		45001-UP	144-63-12602	110.00	65.00	144/63/05050	129.37
	MAP TILT	45001-UP	144-63-53300	160.00	70.00	707/98/60110	118.85
		45001-UP	144-63-53400	160.00	70.00	707/98/60110	118.85
	TRIMMING	45001-UP	144-63-97300	120.00	55.00	707/99/40040	139.25
		45001-UP	144-63-97400	120.00	55.00	707/99/40040	139.25
		TRIMMING LIFT	45001-UP	144-63-69500	110.00	65.00	707/99/36420
RIPPER	45001-UP	144-63-69600	110.00	65.00	707/99/36420	122.28	
	45001-UP	144-63-42100	160.00	75.00	707/98/61100	152.94	
D65E-8	LIFT	45001-UP	144-63-12502	110.00	65.00	144/63/05050	129.37
		45001-UP	144-63-12602	110.00	65.00	144/63/05050	129.37
	TILT RIPPER	45001-UP	144-63-52200	160.00	70.00	144/63/05080	118.98
		45001-UP	144-63-42100	160.00	75.00	707/98/61100	152.94
D65P-7	TILT	40001-UP	144-63-52200	160.00	70.00	144/63/05080	118.98
D65P-8	LIFT	45001-UP	144-63-13503	110.00	65.00	144/63/05050	129.37
		45001-UP	144-63-13603	110.00	65.00	144/63/05050	129.37
	TILT	45001-UP	144-63-52200	160.00	70.00	144/63/05080	118.98
D65S-7	DUMP	45001-UP	141-63-32300 141-63-32400	140.00	60.00	141/63/05010	136.67
	LIFT	40001-UP	141-63-22300 141-63-22400	160.00	75.00	141/63/05050	155.07
		D65S-8	DUMP	45001-UP	141-63-32300	140.00	60.00
D66S-1	DUMP	45001-UP	141-63-32400	140.00	60.00	141/63/05010	136.67
		45001-UP	141-63-22300	160.00	75.00	141/63/05050	155.07
	LIFT	45001-UP	141-63-22400	160.00	75.00	141/63/05050	155.07
		BOTH-SIDE DUMP	1001-UP	142-63-99101	120.00	60.00	707/98/41140
D68E-1	DUMP	1001-UP	142-63-32300	180.00	100.00	707/98/66410	267.79
		LIFT	1001-UP	142-63-22200	150.00	80.00	707/98/54510
	MULTI PURPOSE, BUCK. CLAM	1001-UP	142-63-59101	120.00	60.00	707/98/41130	155.58
		1001-UP	142-63-59201	120.00	60.00	707/98/41130	155.58
D68E-1	LIFT	1001-UP	144-63-16100	110.00	65.00	144/63/05050	129.37
		1001-UP	144-63-16200	110.00	65.00	144/63/05050	129.37
D68P-1	LIFT	45590-UP	144-63-13503	110.00	65.00	144/63/05050	129.37
		45590-UP	144-63-13603	110.00	65.00	144/63/05050	129.37
	TILT	45590-UP	144-63-52200	160.00	70.00	144/63/05080	118.98
D75A-1	ANGLE LIFT	50001-UP	144-63-12502	110.00	65.00	144/63/05050	129.37
		50001-UP	144-63-12602	110.00	65.00	144/63/05050	129.37

All manufacturer's names, part numbers and descriptions are used for reference purposes only. We do not imply that any part shown is the product of these manufacturers.

INDUSTRIAL SEAL KITS

MOBILE SEAL KITS

KOMATSU

KOMATSU

CRAWLER DOZER

INDUSTRIAL
SEAL KITS

MOBILE
SEAL KITS

KOMATSU

Model	Application	Serial Number	Cylinder Number	Bore (mm)	Rod (mm)	Ref. Number RKOM-	\$	
D75S-3	STRAIGHT TILT, DOZER LIFT TILT RIPPER	50001-UP	144-63-16100	110.00	65.00	144/63/05050	129.37	
		50001-UP	144-63-16200	110.00	65.00	144/63/05050	129.37	
		50001-UP	144-63-52200	160.00	70.00	144/63/05080	118.98	
		50001-UP	144-63-42100	160.00	75.00	707/98/61100	152.94	
	DUMP	7001-10000	145-63-32601	150.00	70.00	707/98/52410	150.22	
		7001-10000	145-63-32701	150.00	70.00	707/98/52410	150.22	
		10001-UP	145-63-32602	150.00	70.00	707/98/52410	150.22	
		10001-UP	145-63-32702	150.00	70.00	707/98/52410	150.22	
		LIFT	7001-10000	145-63-23300	180.00	90.00	707/98/64450	134.10
			7001-10000	145-63-23400	180.00	90.00	707/98/64450	134.10
10001-UP	145-63-23301	180.00	90.00	707/98/64420	140.59			
D75S-5	DUMP	10001-UP	145-63-23401	180.00	90.00	707/98/64420	140.59	
		15001-UP	145-63-32601	150.00	70.00	707/98/52410	150.22	
		15001-UP	145-63-32702	150.00	70.00	707/98/52410	150.22	
		15001-UP	145-63-33600	150.00	70.00	707/98/52410	150.22	
	DUMP (FOR SCORIA DISPOSAL)	15001-UP	145-63-33700	150.00	70.00	707/98/52410	150.22	
		15001-UP	145-63-23301	180.00	90.00	707/98/64420	140.59	
	LIFT	15001-UP	145-63-23401	180.00	90.00	707/98/64420	140.59	
		15001-UP	145-63-23800	180.00	90.00	707/98/64450	134.10	
	LIFT (FOR SCORIA DISPOSAL)	15001-UP	145-63-23900	180.00	90.00	707/98/64450	134.10	
		15001-UP	145-63-97101	110.00	60.00	707/99/36410	108.98	
D80A-18	LIFT	25001-UP	154-63-12604	120.00	70.00	707/99/43010	124.35	
		25001-UP	154-63-12704	120.00	70.00	707/99/43010	124.35	
	MAP TILT	25001-UP	154-63-52500	160.00	70.00	707/98/60121	118.92	
		25001-UP	154-63-52600	160.00	70.00	707/98/60120	120.08	
	RIPPER	25001-UP	154-63-42503	150.00	70.00	707/98/52410	150.22	
		25001-UP	154-63-42603	150.00	70.00	707/98/52410	150.22	
D80E-18	TILT	25001-26042	154-63-52402	200.00	90.00	707/99/71100	166.04	
	TRIMMING	25001-UP	154-63-79400	150.00	70.00	707/98/52410	150.22	
D80E-18	TILT	25001-26042	154-63-52402	200.00	90.00	707/99/71100	166.04	
	RIPPER	25001-UP	154-63-42503	150.00	70.00	707/98/52410	150.22	
		25001-UP	154-63-42603	150.00	70.00	707/98/52410	150.22	
D83E-1	MAP TILT	1001-UP	154-63-52500	160.00	70.00	707/98/60121	118.92	
		1001-UP	154-63-52600	160.00	70.00	707/98/60121	118.92	
	TILT	1001-UP	144-63-52200	160.00	70.00	144/63/05080	118.98	
	RIPPER	1001-UP	144-63-42100	160.00	75.00	707/98/61100	152.94	

All manufacturer's names, part numbers and descriptions are used for reference purposes only. We do not imply that any part shown is the product of these manufacturers.

Remsa [KITS]

CRAWLER DOZER

KOMATSU

Model	Application	Serial Number	Cylinder Number	Bore (mm)	Rod (mm)	Ref. Number RKOM-	\$
D83P-1	TILT	1001-UP	144-63-52200	160.00	70.00	144/63/05080	118.98
D85A-18	LIFT	25001-UP	154-63-12604	120.00	70.00	707/99/43010	124.35
		25001-UP	154-63-12704	120.00	70.00	707/99/43010	124.35
	MAP TILT	25001-UP	154-63-52500	160.00	70.00	707/98/60121	118.92
		25001-UP	154-63-52600	160.00	70.00	707/98/60120	120.08
	TILT	25001-28323	154-63-52402	200.00	90.00	707/99/71100	166.04
	RIPPER	25001-UP	154-63-42503	150.00	70.00	707/98/52410	150.22
		25001-UP	154-63-42603	150.00	70.00	707/98/52410	150.22
	TRIMMING	25001-UP	154-63-79400	150.00	70.00	707/98/52410	150.22
D85A-21, D85E-21	MAP TILT	35001-UP	154-63-02120	140.00	70.00	707/98/52110	178.57
		35001-UP	154-63-02130	140.00	70.00	707/98/52110	178.57
	TILT	35001-UP	154-63-02070	160.00	80.00	707/98/62120	137.38
	RIPPER	35001-UP	154-63-02081	140.00	70.00	707/98/52110	178.57
D85E-18	TILT	25001-28323	154-63-52402	200.00	90.00	707/99/71100	166.04
	RIPPER	25001-UP	154-63-42503	150.00	70.00	707/98/52410	150.22
		25001-UP	154-63-42603	150.00	70.00	707/98/52410	150.22
D85E-21	TILT	3001-UP	154-63-02070	160.00	80.00	707/98/62120	137.38
D95S-2	LIFT	2112-UP	155-63-22501	180.00	90.00	707/98/64450	134.10
		2112-UP	155-63-22601	180.00	90.00	707/98/64450	134.10
D135A-1, D135A-2	LIFT	10001-UP	15A-63-02010	130.00	80.00	707/98/45610	163.20
	RIPPER LIFT	10001-UP	15A-63-02140	160.00	80.00	707/98/62100	114.39
		10001-UP	15A-63-02150	160.00	80.00	707/98/62100	114.39
	RIPPER TILT	10001-UP	15A-63-02160	150.00	80.00	707/98/54500	235.65
		10001-UP	15A-63-02170	150.00	80.00	707/98/54500	235.65
	TILT	10001-UP	15A-63-02130	180.00	90.00	707/98/64410	139.00
D155A-1	RIPPER LIFT	17001-UP	175-63-42700	225.00	90.00	707/99/71420	198.60
		17001-UP	175-63-42800	225.00	90.00	707/99/71420	198.60
	RIPPER TILT	17001-UP	175-63-43700	225.00	90.00	707/99/71420	198.60
		17001-UP	175-63-43800	225.00	90.00	707/99/71420	198.60
D155A-2	LIFT	50001-UP	175-63-02111	140.00	75.00	707/98/53100	179.89
	RIPPER LIFT	50001-UP	175-63-42701	225.00	90.00	707/99/71420	198.60
		50001-UP	175-63-42801	225.00	90.00	707/99/71420	198.60
	RIPPER TILT	50001-UP	175-63-43700	225.00	90.00	707/99/71420	198.60
		50001-UP	175-63-43800	225.00	90.00	707/99/71420	198.60
	TILT	50001-UP	175-63-52700	225.00	90.00	175/63/05140	236.20
D375A-1	LIFT	15001-UP	195-63-01101	150.00	90.00	707/98/56600	135.76
		15001-UP	195-63-01201	150.00	90.00	707/98/56600	135.76
	RIPPER TILT	15001-UP	195-63-01501	200.00	110.00	707/98/74100	276.00
		15001-UP	195-63-01601	200.00	110.00	707/98/74100	276.00

All manufacturer's names, part numbers and descriptions are used for reference purposes only. We do not imply that any part shown is the product of these manufacturers.

INDUSTRIAL
SEAL KITS

MOBILE
SEAL KITS

KOMATSU

KOMATSU

CRAWLER DOZER

INDUSTRIAL
SEAL KITS

MOBILE
SEAL KITS

KOMATSU

Model	Application	Serial Number	Cylinder Number	Bore (mm)	Rod (mm)	Ref. Number RKOM-	\$
D375A-2	TILT	15001-15413	195-63-53200	225.00	110.00	707/98/74410	269.13
		15417-15422	195-63-53200	225.00	110.00	707/98/74410	269.13
		15414-15416	195-63-53400	225.00	110.00	707/98/74420	227.06
		15423-UP	195-63-53400	225.00	110.00	707/98/74420	227.06
D375A-2	RIPPER TILT	16001-UP	195-63-01501	200.00	110.00	707/98/74100	276.00
		16001-UP	195-53-01601	200.00	110.00	707/98/74100	276.00
D475A-3	LIFT	16001-UP	195-63-01410	150.00	90.00	707/98/56610	145.46
		16001-UP	195-63-01420	150.00	90.00	707/98/56610	145.46
	BLADE LIFT	10601-UP	198-63-02213	200.00	110.00	707/99/74130	735.03
MOTOR GRADER							
GD200A-1	SCARIFIER	2001-UP	237-63-32500	80.00	40.00	707/98/22120	81.10
GD300A-1	ARTICULATE	2001-UP	237-63-62501	120.00	60.00	707/98/41030	143.26
	BLADE LIFT	2001-UP	237-63-12500	70.00	35.00	707/98/12550	53.91
	BLADE SHIFT	2001-UP	237-63-42500	60.00	40.00	707/98/14240	64.57
GD405A-1	FRONT BLADE	2001-UP	237-63-32500	80.00	40.00	707/98/22120	81.10
	SCARIFIER	2001-UP	237-63-32500	80.00	40.00	707/98/22120	81.10
	ARTICULATE	50002-50610	233-63-62300	90.00	50.00	707/98/25500	105.25
		50611-UP	233-63-62500	90.00	50.00	707/98/25430	97.29
GD405A-1	BLADE SHIFT	50002-50610	233-63-42300	70.00	40.00	707/98/14600	63.07
	BLADE LIFT	50002-50610	233-63-12300	70.00	40.00	707/98/14700	63.07
	DRAWBAR SHIFT	50002-50610	233-63-22300	70.00	40.00	707/98/14700	63.07
	LEANING	50002-50610	233-63-52300	70.00	35.00	707/98/12600	53.97
	POWER TILT	50002-UP	233-63-18300	80.00	40.00	707/98/22100	81.03
	SCARIFIER	50002-50610	238-63-32100	80.00	50.00	707/98/25170	118.15
GD500R-2	BLADE LIFT	11002-UP	238-63-12100	80.00	50.00	707/98/25070	87.81
	BLADE SHIFT	11002-UP	238-63-42100	80.00	50.00	707/98/25170	118.15
	DRAWBAR SHIFT	11002-UP	238-63-22100	80.00	50.00	707/98/25070	87.81
	FRONT BLADE	11002-UP	232-63-33300	80.00	50.00	707/98/25060	114.59
	LEANING	11002-UP	238-63-52100	70.00	35.00	707/98/12600	53.97
	POWER TILT	11002-UP	238-63-18101	80.00	40.00	707/98/22100	81.03
	SCARIFIER	11002-UP	238-63-32100	80.00	50.00	707/98/25170	118.15
GD505A-2	ARTICULATE	50003-UP	233-63-62300	90.00	50.00	707/98/25500	105.25
	BLADE LIFT	50003-UP	238-63-12100	80.00	50.00	707/98/25070	87.81
	BLADE SHIFT	50003-UP	238-63-42100	80.00	50.00	707/98/25170	118.15
	DRAWBAR SHIFT	50003-UP	238-63-22100	80.00	50.00	707/98/25070	87.81

All manufacturer's names, part numbers and descriptions are used for reference purposes only. We do not imply that any part shown is the product of these manufacturers.

Remsa [KITS]

MOTOR GRADER

KOMATSU

Model	Application	Serial Number	Cylinder Number	Bore (mm)	Rod (mm)	Ref. Number RKOM-	\$		
GD505R-2	FRONT BLADE	50003-UP	232-63-33300	80.00	50.00	707/98/25060	114.59		
	LEANING	50003-UP	238-63-52100	70.00	35.00	707/98/12600	53.97		
	POWER TILT	50003-UP	238-63-18101	80.00	40.00	707/98/22100	81.03		
	SCARIFIER	50003-UP	238-63-32100	80.00	50.00	707/98/25170	118.15		
	BLADE LIFT	30002-UP	238-63-12100	80.00	50.00	707/98/25070	87.81		
	BLADE SHIFT	30002-UP	238-63-42100	80.00	50.00	707/98/25170	118.15		
	DRAWBAR SHIFT	30002-UP	238-63-22100	80.00	50.00	707/98/25070	87.81		
	FRONT BLADE	30002-UP	232-63-33300	80.00	50.00	707/98/25060	114.59		
GD521A-1, GD521R-1, GD523R-1	FRONT BLADE	10001-UP	232-63-38100	90.00	45.00	707/98/24430	99.94		
	GD523A-1	FRONT BLADE	30001-UP	232-63-38100	90.00	45.00	707/98/24430	99.94	
		GD600R-3	BLADE LIFT	14001-UP	238-63-12100	80.00	50.00	707/98/25070	87.81
			DRAWBAR SHIFT	14001-UP	238-63-22100	80.00	50.00	707/98/25070	87.81
			FRONT BLADE	14001-UP	232-63-33300	80.00	50.00	707/98/25060	114.59
		POWER TILT	14001-UP	233-63-18101	80.00	40.00	707/98/22100	81.03	
		STEERING	14001-UP	232-63-76101	60.00	35.00	707/98/12200	55.33	
		GD605A-3	ARTICULATE	54001-UP	233-63-62300	90.00	50.00	707/98/25500	105.25
BLADE LIFT	54001-UP		238-63-12100	80.00	50.00	707/98/25070	87.81		
DRAWBAR SHIFT	54001-UP		238-63-22100	80.00	50.00	707/98/25070	87.81		
FRONT BLADE	54001-UP		232-63-33300	80.00	50.00	707/98/25060	114.59		
POWER TILT	54001-UP		238-63-18101	80.00	40.00	707/98/22100	81.03		
STEERING	54001-UP		232-63-76101	60.00	35.00	707/98/12200	55.33		
GD611A-1, GD621A-1	ARTICULATE	10001-UP	23B-63-62101	90.00	50.00	707/98/25430	97.29		
	FRONT BLADE	10001-UP	232-63-38100	90.00	45.00	707/98/24430	99.94		
GD611R-1, GD621R-1	FRONT BLADE	10001-UP	232-63-38100	90.00	45.00	707/98/24430	99.94		
GD613A-1, GD663A-1	ARTICULATE	30001-UP	23B-63-62101	90.00	50.00	707/98/25430	97.29		
GD615A-1	ARTICULATE	50001-UP	23B-63-62101	90.00	50.00	707/98/25430	97.29		
GD623A-1	ARTICULATE	30001-UP	23B-63-62101	90.00	50.00	707/98/25430	97.29		
	FRONT BLADE	30001-UP	232-63-38100	90.00	45.00	707/98/24430	99.94		
	SCARIFIER	30001-UP	23B-63-32102	90.00	50.00	707/98/25430	97.29		

All manufacturer's names, part numbers and descriptions are used for reference purposes only. We do not imply that any part shown is the product of these manufacturers.

INDUSTRIAL
SEAL KITS

MOBILE
SEAL KITS

KOMATSU

KOMATSU

MOTOR GRADER

INDUSTRIAL
SEAL KITS

MOBILE
SEAL KITS

KOMATSU

Model	Application	Serial Number	Cylinder Number	Bore (mm)	Rod (mm)	Ref. Number RKOM-	\$
GD625A-1	ARTICULATE SCARIFIER	50001-UP	23B-63-62101	90.00	50.00	707/98/25430	97.29
		50001-UP	23B-63-32102	90.00	50.00	707/98/25430	97.29
GD705A-3	BLADE LIFT	10002-UP	234-63-13001	90.00	55.00	707/98/26600	98.08
	DRAWBAR SHIFT	10002-UP	234-63-23000	90.00	55.00	707/98/26600	98.08
	LEANING	10002-UP	234-63-53002	90.00	45.00	707/98/24530	108.27
GD705A-4	POWER TILT	10002-UP	234-63-28001	100.00	50.00	707/99/33010	88.91
	RIPPER	10002-UP	234-63-25000	140.00	70.00	707/98/52100	186.65
	BLADE LIFT	31001-UP	234-63-13001	90.00	55.00	707/98/26600	98.08
	DRAWBAR SHIFT	31001-UP	234-63-23000	90.00	55.00	707/98/26600	98.08
GD825A-1	POWER TILT	31001-UP	234-63-28100	100.00	50.00	707/99/32010	101.04
	LEANING	31001-UP	234-63-53002	90.00	45.00	707/98/24530	108.27
	RIPPER	31001-UP	234-63-25001	140.00	70.00	707/98/52100	186.65
	ARTICULATE	10002-UP	235-63-63000	120.00	65.00	707/98/41110	152.74
	BLADE LIFT	10002-UP	235-63-16100	100.00	65.00	707/98/36230	89.86
	DRAWBAR SHIFT	10002-UP	235-63-22000	100.00	60.00	707/98/35110	92.20
	LEANING	10002-UP	235-63-53100	90.00	45.00	707/98/24500	74.31
POWER TILT	10002-UP	235-63-28000	120.00	65.00	707/98/42100	116.65	
	STEERING	10002-10043	235-63-76301	60.00	40.00	707/98/14030	64.57
		10044-UP	235-63-76303	60.00	40.00	707/98/14030	64.57
	RIPPER	10002-UP	235-63-25200	140.00	70.00	707/98/52100	186.65
DUMP TRUCK							
HD325-3, HD325-5	STEERING	1501-UP	561-63-11500	80.00	60.00	707/98/27100	91.15
HD465-3	STEERING	2001-UP	561-63-41203	80.00	60.00	707/98/27100	91.15
HD785-3	STEERING	2001-UP	561-63-61102	110.00	70.00	707/98/37570	111.89

All manufacturer's names, part numbers and descriptions are used for reference purposes only. We do not imply that any part shown is the product of these manufacturers.

Remsa [KITS]

TRACKED EXCAVATOR

KOMATSU

Model	Application	Serial Number	Cylinder Number	Bore (mm)	Rod (mm)	Ref. Number RKOM-	\$
PC20-5	ARM	18001-UP	20R-63-66300	80.00	40.00	707/98/22120	81.10
	BLADE	18001-UP	20S-63-96300	90.00	45.00	707/98/24600	110.19
	BOOM	18001-UP	20R-63-56500	80.00	40.00	707/98/22030	88.00
	BOOM SWING	18001-UP	20S-63-86301	70.00	35.00	707/98/12440	53.78
	BUCKET	18001-UP	20R-63-76301	70.00	35.00	707/98/12440	53.78
PC30-5	ARM	6001-UP	20S-63-66300	80.00	40.00	707/98/22120	81.10
	BLADE	6001-UP	20S-63-96300	90.00	45.00	707/98/24600	110.19
	BOOM	6001-UP	20S-63-56500	80.00	40.00	707/98/22030	88.00
	BOOM SWING	6001-UP	20S-63-86300	70.00	35.00	707/98/12440	53.78
	BUCKET	6001-UP	20S-63-76102	70.00	40.00	707/98/14430	63.14
PC40-5	BLADE	8501-UP	20S-63-96300	90.00	45.00	707/98/24600	110.19
	BOOM SWING	8501-UP	20T-63-02040	90.00	50.00	707/98/25500	105.25
PC40-6	BOOM SWING	10001-UP	20T-63-02140	90.00	50.00	707/98/25510	116.72
PC60-5	ARM	20501-UP	201-63-02020	90.00	60.00	707/98/27500	113.30
	BLADE	20501-UP	201-63-02070	100.00	60.00	707/98/35130	128.48
			201-63-02080	100.00	60.00	707/98/35130	128.48
BOOM	20501-UP	201-63-02010	100.00	65.00	707/99/36260	131.11	
PC60L-5	ARM	7501-UP	201-63-02020	90.00	60.00	707/98/27500	113.30
	BLADE	4501-UP	201-63-02070	100.00	60.00	707/98/35130	128.48
	BOOM	7501-UP	201-63-02080	100.00	60.00	707/98/35130	128.48
		4501-UP	201-63-02010	100.00	65.00	707/99/36260	131.11
		4501-UP	201-63-02040	100.00	65.00	707/99/36260	131.11
PC75UU-1	ARM	1001-UP	21W-63-02021	90.00	60.00	707/98/27500	113.30
	BLADE	1001-UP	21W-63-02051	130.00	70.00	707/98/43510	185.28
PC80-3, PC80LC-3	ARM	2001-UP	20X-63-02020	100.00	65.00	707/99/36270	131.00
PC90-1	ARM	1001-UP	20X-63-02210	105.00	65.00	707/99/36620	215.58
	BOOM	1001-UP	20X-63-02200	110.00	70.00	707/99/37610	228.93
PC100-1, PC100-2	ARM		202-63-62140	120.00	70.00	707/99/43100	130.80
PC100-3	ARM	10001-19852	202-63-62500	110.00	75.00	707/98/38600	129.58
		19853-UP	202-63-69300	110.00	75.00	707/98/38600	129.58
BUCKET	BOOM	18001-22872	202-63-52500	100.00	65.00	707/98/36100	110.00
			202-63-52600	100.00	65.00	707/98/36100	110.00
			202-63-59300	100.00	65.00	707/99/36200	159.15
		22873-UP	202-63-59400	100.00	65.00	707/99/36200	159.15
		10001-19852	203-63-72500	100.00	65.00	707/98/36110	82.32
	19853-UP	203-63-79300	100.00	65.00	707/99/36210	131.38	

All manufacturer's names, part numbers and descriptions are used for reference purposes only. We do not imply that any part shown is the product of these manufacturers.

INDUSTRIAL
SEAL KITS

MOBILE
SEAL KITS

KOMATSU

KOMATSU

TRACKED EXCAVATOR

INDUSTRIAL
SEAL KITS

MOBILE
SEAL KITS

KOMATSU

Model	Application	Serial Number	Cylinder Number	Bore (mm)	Rod (mm)	Ref. Number RKOM-	\$
PC100-5	ARM	28001-UP	202-63-02120	115.00	75.00	707/99/44200	107.73
	BOOM	28001-UP	202-63-02100	95.00	65.00	707/98/36200	195.48
	BUCKET	28001-UP	202-63-02130	90.00	60.00	707/98/27600	157.28
PC100L-3	ARM	12001-12137	202-63-62500	110.00	75.00	707/98/38600	129.58
		12138-UP	202-63-69300	110.00	75.00	707/98/38600	129.58
	BOOM	12001-12367	202-63-52500	100.00	65.00	707/98/36100	110.00
			202-63-52600	100.00	65.00	707/98/36100	110.00
		12368-UP	202-63-59300	100.00	65.00	707/99/36200	159.15
	BUCKET	12001-12137	203-63-72500	100.00	65.00	707/98/36110	82.32
		12138-UP	203-63-79300	95.00	65.00	707/98/36210	167.41
PC100L-5	ARM	14001-UP	202-63-02120	115.00	75.00	707/99/44200	107.73
	BOOM	14001-UP	202-63-02100	95.00	65.00	707/98/36200	195.48
	BUCKET	14001-UP	202-63-02130	90.00	60.00	707/98/27600	157.28
PC100U-3	ARM	12001-12019	202-63-62500	110.00	75.00	707/98/38600	129.58
		12020-UP	202-63-62502	110.00	75.00	707/98/38600	129.58
	BOOM	12001-UP	202-63-53500	100.00	65.00	707/98/36100	110.00
			202-63-53600	100.00	65.00	707/98/36100	110.00
	BOOM SWING BUCKET	12001-UP	202-63-13501	120.00	75.00	707/98/44120	164.69
		12001-12019	202-63-72500	100.00	65.00	707/98/36110	82.32
12020-UP	203-63-72501	100.00	65.00	707/98/36110	82.32		
PC120-1, PC120-2	ARM		203-63-62340	130.00	80.00	707/98/45700	193.49
	BOOM		203-63-52340	120.00	70.00	707/99/43100	130.80
	BUCKET		203-63-72340	120.00	70.00	707/99/43100	130.80
PC120-3	ARM	18001-20335	203-63-62500	110.00	75.00	707/98/38600	129.58
		20336-24709	203-63-62502	110.00	75.00	707/98/38600	129.58
		24710-UP	203-63-69300	110.00	75.00	707/98/38600	129.58
	BOOM	18001-24709	203-63-52500	110.00	70.00	707/98/37500	119.84
			203-63-52600	110.00	70.00	707/98/37500	119.84
		24710-UP	203-63-59300	110.00	70.00	707/99/37600	143.26
		203-63-59400	110.00	70.00	707/99/37600	143.26	
	BUCKET	18001-20335	203-63-72500	100.00	65.00	707/98/36110	82.32
		20336-UP	203-63-79300	100.00	65.00	707/99/36210	131.38
PC120-5	ARM	30001-UP	203-63-02120	115.00	75.00	707/99/44200	107.73
	BOOM	30001-UP	203-63-02100	105.00	70.00	707/98/37620	118.18
	BUCKET	30001-UP	203-63-02130	95.00	65.00	707/98/36210	167.41
PC120-6	ARM	45001-56999	203-63-02322	115.00	75.00	707/99/44200	107.73
	BOOM	45001-56999	203-63-02303	105.00	70.00	707/98/37620	118.18
	BUCKET	45001-56999	203-63-02332	95.00	65.00	707/98/36210	167.41

All manufacturer's names, part numbers and descriptions are used for reference purposes only. We do not imply that any part shown is the product of these manufacturers.

Remsa [KITS]

TRACKED EXCAVATOR

KOMATSU

Model	Application	Serial Number	Cylinder Number	Bore (mm)	Rod (mm)	Ref. Number RKOM-	\$	
PC150-1	ARM BOOM			120.00	80.00	707/98/45200	170.12	
				110.00	75.00	707/98/38510	122.41	
PC150-3	ARM	3001-4369	21K-63-66500	120.00	80.00	707/98/45200	170.12	
		4370-UP	21K-63-66501	120.00	80.00	707/98/45200	170.12	
	BOOM	3001-4207	21K-63-56500	110.00	75.00	707/98/38510	122.41	
		21K-63-56600	110.00	75.00	707/98/38510	122.41		
4208-UP		21K-63-56501	110.00	75.00	707/98/38510	122.41		
		21K-63-56601	110.00	75.00	707/98/38510	122.41		
3001-3480		21K-63-76500	100.00	70.00	707/98/37110	139.96		
	3481-UP	21K-63-76501	100.00	70.00	707/98/37130	114.72		
PC150-5	ARM	6001-UP	21K-63-02120	120.00	85.00	707/99/46200	234.15	
	BOOM	6001-UP	21K-63-02100	110.00	75.00	707/98/38520	217.51	
	BUCKET	6001-UP	21K-63-02130	110.00	70.00	707/98/37110	139.96	
PC150LC-3	ARM	3001-4384	21K-63-66500	120.00	80.00	707/98/45200	170.12	
		4385-UP	21K-63-66501	120.00	80.00	707/98/45200	170.12	
BOOM		3001-4207	21K-63-56500	110.00	75.00	707/98/38510	122.41	
			21K-63-56600	110.00	75.00	707/98/38510	122.41	
			4208-UP	21K-63-56501	110.00	75.00	707/98/38510	122.41
				21K-63-56601	110.00	75.00	707/98/38510	122.41
			3001-3493	21K-63-76500	100.00	70.00	707/98/37110	139.96
	3494-UP	21K-63-76501	100.00	70.00	707/98/37130	114.72		
PC200-1	ARM BOOM BUCKET		205-63-55141	130.00	90.00	707/98/47500	169.28	
			205-63-75141	130.00	80.00	707/98/45700	193.49	
PC200-2	ARM BOOM BUCKET		206-63-75141	130.00	80.00	707/98/45700	193.49	
PC200-3, PC200LC-3	ARM	20001-35302	205-63-62101	130.00	95.00	707/98/48600	206.01	
		35303-UP	205-63-69300	130.00	95.00	707/99/48610	207.22	
BOOM		20001-35302	205-63-52100	120.00	85.00	707/98/46200	177.48	
			35303-UP	205-63-59300	120.00	85.00	707/98/46270	263.22
				205-63-59400	120.00	85.00	707/98/46270	263.22
			20001-35302	206-63-52100	130.00	90.00	707/98/47600	202.91
				206-63-52200	130.00	90.00	707/98/47600	202.91
BUCKET		20001-35302	206-63-59300	130.00	90.00	707/98/47620	240.16	
			206-63-59400	130.00	90.00	707/98/47620	240.16	
			20001-35302	205-63-72100	110.00	75.00	707/98/38500	116.21
			35303-UP	205-63-79300	110.00	75.00	707/98/38500	116.21
			20001-UP	205-63-72301	120.00	85.00	707/98/46100	143.77
	20001-UP	205-63-79700	120.00	85.00	707/99/46210	235.40		
PC200-3, PC200LC-3	BUCKET(1,8M ARM)							

All manufacturer's names, part numbers and descriptions are used for reference purposes only. We do not imply that any part shown is the product of these manufacturers.

INDUSTRIAL SEAL KITS

MOBILE SEAL KITS

KOMATSU

KOMATSU

TRACKED EXCAVATOR

INDUSTRIAL
SEAL KITS

MOBILE
SEAL KITS

KOMATSU

Model	Application	Serial Number	Cylinder Number	Bore (mm)	Rod (mm)	Ref. Number RKOM-	\$
PC200-5, PC200LC-5	BUCKET (SLF)	20001-UP	203-63-72500	100.00	65.00	707/98/36110	82.32
	ARM	450001-UP	205-63-02120	135.00	95.00	707/99/57200	192.74
	BOOM	450001-UP	205-63-02100	120.00	85.00	707/99/46600	145.34
	BOOM (SLF)	450001-UP	206-63-02100	130.00	90.00	707/99/47600	188.21
	BUCKET	450001-UP	205-63-02130	115.00	80.00	707/98/45220	217.76
	BUCKET (H.D.)	450001-UP	206-63-02130	130.00	90.00	707/98/47620	240.16
PC210-6, PC210LC-6	BUCKET (SLF)	450001-UP	203-63-02130	95.00	65.00	707/98/36210	167.41
	ARM	205-63-63340	A82001-UP	135.00	95.00	707/99/57200	192.74
	BOOM	206-63-54141	A82001-UP	130.00	90.00	707/99/47600	188.21
PC220-3, PC220LC-3	BUCKET	205-63-73310	A82001-UP	115.00	80.00	707/98/45220	217.76
	BUCKET (SPEC.)	206-63-73340	A82001-UP	130.00	90.00	707/98/47620	240.16
	ARM	20001-23737	206-63-62101	140.00	95.00	707/98/57201	104.53
	ARM (SLF)	20001-23614	205-63-62101	130.00	95.00	707/98/48600	206.01
		23615-UP	205-63-69300	130.00	95.00	707/99/48610	207.22
	BOOM	20001-23737	206-63-52100	130.00	90.00	707/98/47600	202.91
		20001-23737	206-63-52200	130.00	90.00	707/98/47600	202.91
		23738-UP	206-63-59300	130.00	90.00	707/98/47620	240.16
		23738-UP	206-63-59400	130.00	90.00	707/98/47620	240.16
	BUCKET	20001-23737	206-63-72100	130.00	90.00	707/98/47500	169.28
	23738-UP	206-63-79300	130.00	90.00	707/99/47610	240.49	
	BUCKET (2M ARM)	20001-UP	206-63-72300	140.00	100.00	707/98/58230	114.20
PC220-5, PC220-LC5	BUCKET (SLF)	20001-UP	203-63-72500	100.00	65.00	707/98/36110	82.32
	ARM	35001-UP	206-63-02120	140.00	100.00	707/99/58200	240.59
	ARM (SLF)	35001-UP	205-63-02120	135.00	95.00	707/99/57200	192.74
	BOOM SWING	35001-UP	206-63-02100	130.00	90.00	707/99/47600	188.21
	BUCKET	35001-UP	206-63-02130	130.00	90.00	707/98/47620	240.16
PC220-LC-6 PC280LC-3	BUCKET (SLF)	35001-UP	203-63-02130	95.00	65.00	707/98/36210	167.41
	BUCKET	83440-UP	205-63-03131	130.00	90.00	707/99/47670	354.11
	ARM	10001-UP	206-63-62101	140.00	95.00	707/98/57201	104.53
	ARM (SLF)	10001-UP	205-63-62101	130.00	95.00	707/98/48600	206.01
PC300-3, PC300-LC3	BOOM	10001-UP	206-63-52100	130.00	90.00	707/98/47600	202.91
	BUCKET	10001-UP	206-63-72100	130.00	90.00	707/98/47500	169.28
	BUCKET (2M ARM)	10001-UP	206-63-72300	140.00	100.00	707/98/58230	114.20
	BUCKET (SLF)	10001-UP	206-63-72500	100.00	65.00	707/98/36110	82.32
	CLAMSHELL	10001-UP	206-63-96101	130.00	90.00	707/98/47680	138.29
	ARM	12001-UP	207-63-62101	160.00	110.00	707/98/67100	159.63
	BOOM	12001-UP	207-63-52100	140.00	100.00	707/98/58200	203.88
	12001-UP	207-63-52200	140.00	100.00	707/98/58200	203.88	
	BUCKET	12001-UP	207-63-72101	140.00	100.00	707/98/58210	166.32
	CLAMSHELL	12001-UP	206-63-96101	130.00	90.00	707/98/47680	138.29
	WEIGHT REMOVER	12001-UP	208-63-07011	130.00	85.00	707/98/46600	167.85

All manufacturer's names, part numbers and descriptions are used for reference purposes only. We do not imply that any part shown is the product of these manufacturers.

Remsa [KITS]

TRACKED EXCAVATOR

KOMATSU

Model	Application	Serial Number	Cylinder Number	Bore (mm)	Rod (mm)	Ref. Number RKOM-	\$
PC300-5, PC300LC-5	ARM	20001-UP	207-63-02120	160.00	110.00	707/99/67110	215.48
	BOOM	20001-UP	207-63-02100	140.00	100.00	707/99/58210	245.21
	BUCKET	20001-UP	207-63-02130	140.00	100.00	707/99/58110	225.03
PC360LC-3	ARM	10001-UP	207-63-62101	160.00	110.00	707/98/67100	159.63
	BOOM	10001-UP	207-63-52100	140.00	100.00	707/98/58200	203.88
		10001-UP	207-63-52200	140.00	100.00	707/98/58200	203.88
PC400-3, PC400LC-3	BUCKET	10001-UP	207-63-72101	140.00	100.00	707/98/58210	166.32
	CLAMSHELL	10001-UP	206-63-96101	130.00	90.00	707/98/47680	138.29
	WEIGHT REMOVER	10001-UP	208-63-07011	130.00	85.00	707/98/46600	167.85
	ARM (B/H)	11001-UP	208-63-62101	180.00	120.00	707/98/68500	190.53
	ARM (L/S)	11001-UP	208-63-64101	180.00	120.00	707/98/68400	200.47
	BOOM (B/H)	11001-UP	208-63-52101	160.00	110.00	707/98/67100	159.63
PC400-5, PC400LC-5		11001-UP	208-63-52201	160.00	110.00	707/98/67100	159.63
	BOOM (L/S)	11001-UP	208-63-54103	160.00	110.00	707/98/67110	195.36
		11001-UP	208-63-54203	160.00	110.00	707/98/67110	195.36
	BOTTOM DUMP	11001-UP	208-63-94100	130.00	95.00	707/98/48500	198.06
		11001-UP	208-63-94200	130.00	95.00	707/98/48500	198.06
	BUCKET (B/H)	11001-UP	208-63-72101	180.00	120.00	707/98/68500	190.53
	BUCKET (L/S)	11001-UP	208-63-74100	130.00	95.00	707/98/48510	209.04
		11001-UP	208-63-74200	130.00	95.00	707/98/48510	209.04
	CLAMSHELL	11001-UP	208-63-92100	140.00	100.00	707/98/58230	114.20
	WEIGHT REMOVER	11001-UP	208-63-07011	130.00	85.00	707/98/46600	167.85
PC400-5, PC400LC-5	ARM	20001-UP	208-63-02120	185.00	120.00	707/99/68510	249.01
	BOOM	20001-UP	208-63-02100	160.00	110.00	707/99/67120	227.55
	BUCKET	20001-UP	208-63-02130	160.00	110.00	707/99/67010	262.96
PC1000-1	ARM (B/H)	10001-UP	21N-63-02030	250.00	170.00	707/99/89200	583.70
	ARM (L/S)	10001-UP	21N-63-03030	180.00	130.00	707/99/69620	327.12
	BOOM (B/H)	10001-UP	21N-63-02010	225.00	160.00	707/99/78620	820.36
	BOOM (L/S)	10001-UP	21N-63-03010	225.00	160.00	707/99/78620	820.36
	BUCKET (B/H)	10001-UP	21N-63-02040	225.00	160.00	707/99/78630	820.11
	BUCKET (L/S)	10001-UP	21N-63-03050	200.00	140.00	707/99/77250	484.01
	BOTTOM DUMP	10001-UP	21N-63-03071	140.00	90.00	707/99/56310	267.81
PC1000SE-1	ARM (L/S)	10001-UP	21N-63-02030	250.00	170.00	707/99/89200	583.70
	BOOM	10001-UP	21N-63-02010	225.00	160.00	707/99/78620	820.36
	BUCKET	10001-UP	21N-63-02060	225.00	160.00	707/99/78630	820.11

All manufacturer's names, part numbers and descriptions are used for reference purposes only. We do not imply that any part shown is the product of these manufacturers.

INDUSTRIAL SEAL KITS

MOBILE SEAL KITS

KOMATSU

KOMATSU

WHEELED EXCAVATOR

INDUSTRIAL
SEAL KITS

MOBILE
SEAL KITS

KOMATSU

Model	Application	Serial Number	Cylinder Number	Bore (mm)	Rod (mm)	Ref. Number RKOM-	\$
PW20-1	ARM	1001-UP	20R-63-66300	80.00	40.00	707/98/22040	81.10
	BOOM	1001-UP	20R-63-56500	80.00	40.00	707/98/22110	77.11
	BLADE	1001-UP	21E-63-02010	90.00	45.00	707/98/24430	99.94
PW30-1	ARM	1001-UP	20R-63-66300	80.00	40.00	707/98/22040	81.10
	BOOM	1001-UP	20R-63-56500	80.00	40.00	707/98/22110	77.11
	BUCKET	1001-UP	20S-63-76102	70.00	40.00	707/98/14600	63.07
PW60-3	BLADE	1001-UP	21E-63-02010	90.00	45.00	707/98/24430	99.94
	BLADE	2001-UP	20B-63-02060	70.00	45.00	707/98/15720	92.52
	BOOM	2001-UP	201-63-02010	100.00	65.00	707/99/36260	131.11
PW100-1	OUTRIGGER	2001-UP	20B-63-02020	70.00	45.00	707/98/15700	65.99
	ARM	1003-UP	202-63-62100	120.00	70.00	707/98/43100	162.55
	BLADE	1003-UP	20D-63-96300	90.00	50.00	707/98/25510	116.72
	BOOM	1003-UP	20D-63-96400	90.00	50.00	707/98/25510	116.72
		1003-UP	202-63-52100	110.00	65.00	707/98/36510	118.15
		1003-UP	202-63-52200	110.00	65.00	707/98/36510	118.15
	BUCKET	1003-UP	202-63-72100	110.00	65.00	707/98/36520	87.48
		1003-UP	20D-63-12700	110.00	65.00	707/98/36500	102.72
PW100-3	OUTRIGGER	1003-UP	20D-63-12800	110.00	65.00	707/98/36500	102.72
	STEERING	1003-UP	20D-63-22301	60.00	30.00	707/99/11030	54.86
PW100N-3	OUTRIGGER	1601-UP	20G-63-12101	110.00	70.00	707/98/37500	119.84
		1601-1667	202-63-62500	110.00	75.00	707/98/38600	129.58
PW100N-3		1668-2300	202-63-62502	110.00	75.00	707/98/38600	129.58
		2301-UP	20D-63-02030	110.00	75.00	707/98/38600	129.58
		1601-2300	202-63-52500	100.00	65.00	707/98/36100	110.00
	BOOM	1601-2300	202-63-52600	100.00	65.00	707/98/36100	110.00
		2301-UP	20D-63-02010	100.00	65.00	707/98/36100	110.00
		1601-1667	202-63-72500	100.00	65.00	707/98/36110	82.32
	BUCKET	1668-2300	202-63-72501	100.00	65.00	707/98/36110	82.32
		2301-UP	20D-63-02040	100.00	65.00	707/98/36110	82.32
		1601-UP	20D-63-13100	110.00	65.00	707/98/36560	102.66
PW150-1	OUTRIGGER	1601-UP	20D-63-13200	110.00	65.00	707/98/36560	102.66
		1001-UP	20G-63-62100	130.00	90.00	707/98/47510	195.74
	ARM (LOCK VALVE)	1001-UP	20G-63-62141	130.00	90.00	707/98/47510	195.74
	BLADE	1001-UP	20G-63-92110	110.00	70.00	707/98/37500	119.84
	OUTRIGGER	1001-1283	20G-63-12100	110.00	70.00	707/98/37500	119.84
PW210-1	SUSPENSION LOCK	1001-1283	20G-63-12200	110.00	70.00	707/98/37500	119.84
		1284-UP	20G-63-12101	110.00	70.00	707/98/37500	119.84
		1284-UP	20G-63-12201	110.00	70.00	707/98/37500	119.84
	ARM	1001-UP	20G-63-32100	110.00	70.00	707/98/37500	119.84
	BOOM	10001-UP	205-63-62101	130.00	95.00	707/98/48600	206.01
	BOOM	10001-UP	205-63-52100	120.00	85.00	707/98/46200	177.48
	BUCKET	10001-UP	206-63-52200	120.00	85.00	707/98/46200	177.48
	BUCKET	10001-UP	205-63-72100	110.00	75.00	707/98/38500	116.21
	BUCKET (1.8M)	10001-UP	205-63-72301	120.00	85.00	707/98/46100	143.77
	OUTRIGGER	10001-UP	20K-63-02010	130.00	80.00	707/98/45700	193.49
	STEERING	10001-UP	20K-63-02030	90.00	40.00	707/98/22430	72.63
	SUSPENSION LOCK	10001-UP	20G-63-32100	110.00	70.00	707/98/37500	119.84

All manufacturer's names, part numbers and descriptions are used for reference purposes only. We do not imply that any part shown is the product of these manufacturers.

Remsa [KITS]

WHEELED LOADER

KOMATSU

Model	Application	Serial Number	Cylinder Number	Bore (mm)	Rod (mm)	Ref. Number RKOM-	\$
WA30-1	LIFT	1001-UP	362-63-12100	60.00	35.00	707/98/12100	55.33
		1001-UP	362-63-12200	60.00	35.00	707/98/12100	55.33
	DUMP STEERING	1001-UP	362-63-22101	60.00	35.00	707/98/12110	56.49
		1001-UP	362-63-52101	60.00	30.00	707/99/11040	54.86
WA30-2	LIFT	3001-4101	362-63-12100	60.00	35.00	707/98/12100	55.33
		3001-4101	362-63-12200	60.00	35.00	707/98/12100	55.33
	DUMP STEERING	1001-UP	362-63-22101	60.00	35.00	707/98/12110	56.49
		3001-4101	362-63-52101	60.00	30.00	707/99/11040	54.86
WA70-1	DUMP	10001-11999	707-00-80041	80.00	40.00	707/99/22100	109.37
		12001-UP	707-00-01200	80.00	40.00	707/99/22100	109.37
WA100-1	DUMP (HI-LIFT)	10001-11999	707-00-80540	80.00	40.00	707/99/22100	109.37
	CLAM DUMP	10001-UP	707-00-90010	90.00	50.00	707/99/25520	105.55
		10001-UP	707-00-10031	100.00	50.00	707/99/32100	86.22
	DUMP (HI-LIFT)	10001-UP	707-00-10400	100.00	50.00	707/99/32100	86.22
	DUMP (L. BUCKET)	10001-UP	707-00-11210	110.00	55.00	707/99/34500	73.67
	DUMP (LB. HI-LIFT)	10001-UP	707-00-11220	110.00	55.00	707/99/34500	73.67
	DUMP (S. HI-LIFT)	10001-UP	707-00-11230	110.00	55.00	707/99/34500	73.67
	GRAPPLE	10001-UP	707-00-80330	80.00	40.00	707/99/22100	109.37
	LIFT	10001-UP	707-00-10011	100.00	55.00	707/99/34100	74.37
		10001-UP	707-00-10021	100.00	55.00	707/99/34100	74.37
	STEERING	10001-19999	707-00-60021	60.00	40.00	707/99/14200	63.34
WA120-1		10001-19999	707-00-60011	60.00	40.00	707/99/14200	63.34
		20001-UP	707-00-60022	60.00	40.00	707/99/14200	63.34
		20001-UP	707-00-60012	60.00	40.00	707/99/14200	63.34
	DUMP LIFT	10001-UP	707-00-12140	120.00	60.00	707/99/41100	108.13
		10001-UP	707-00-11320	110.00	70.00	707/99/37500	81.23
	STEERING	10001-UP	707-00-11330	110.00	70.00	707/99/37500	81.23
10001-UP		707-00-60022	60.00	40.00	707/99/14200	63.34	
	10001-UP	707-00-60012	60.00	40.00	707/99/14200	63.34	
WA150-1	CLAM DUMP	10001-UP	707-00-90010	90.00	50.00	707/99/25520	105.55
		10001-UP	707-00-12022	120.00	60.00	707/99/41100	108.13
	DUMP (HI-LIFT)	10001-UP	707-00-12300	120.00	60.00	707/99/41100	108.13
		10001-UP	707-00-80330	80.00	40.00	707/99/22100	109.37
	GRAPPLE LIFT	10001-UP	707-00-11031	110.00	70.00	707/99/37500	81.23
		10001-UP	707-00-11041	110.00	70.00	707/99/37500	81.23
	STEERING	10001-19999	707-00-60021	60.00	40.00	707/99/14200	63.34
		10001-19999	707-00-60011	60.00	40.00	707/99/14200	63.34
		20001-UP	707-00-60022	60.00	40.00	707/99/14200	63.34
		20001-UP	707-00-60012	60.00	40.00	707/99/14200	63.34

All manufacturer's names, part numbers and descriptions are used for reference purposes only. We do not imply that any part shown is the product of these manufacturers.

INDUSTRIAL
SEAL KITS

MOBILE
SEAL KITS

KOMATSU

KOMATSU

WHEEL LOADER

INDUSTRIAL
SEAL KITS

MOBILE
SEAL KITS

KOMATSU

Model	Application	Serial Number	Cylinder Number	Bore (mm)	Rod (mm)	Ref. Number RKOM-	\$
WA180-1	CLAM DUMP	10001-UP	707-00-90010	90.00	50.00	707/99/25520	105.55
		10001-UP	707-01-13510	130.00	70.00	707/99/43500	133.64
		10001-UP	707-01-13190	130.00	70.00	707/99/43500	133.64
	LIFT	10001-10088	707-00-12080	120.00	70.00	707/99/43100	130.80
		10089-UP	707-00-12080	120.00	70.00	707/99/43100	130.80
	STEERING	10001-UP	707-00-70410	70.00	45.00	707/99/15600	92.26
		10001-UP	707-00-70420	70.00	45.00	707/99/15600	92.26
WA200-1	CLAM	10001-UP	707-00-10080	100.00	50.00	707/99/32100	86.22
	DUMP	10001-UP	707-00-13011	130.00	70.00	707/99/43500	133.64
	DUMP (HI-LIFT)	10001-UP	707-01-13020	130.00	70.00	707/99/43500	133.64
	GRAPPLE	10001-UP	707-00-80330	80.00	40.00	707/99/22100	109.37
WA250-1	LIFT STEERING	10001-29999	707-00-12011	120.00	70.00	707/99/43100	130.80
		10001-19999	707-00-70131	70.00	40.00	707/99/14600	91.87
		20001-29999	707-00-70132	70.00	40.00	707/99/14600	91.87
	DUMP LIFT STEERING	10001-UP	707-01-15030	150.00	75.00	707/99/53500	150.07
		10001-UP	707-01-13520	130.00	70.00	707/99/43500	133.64
		10001-10628	707-00-70131	70.00	40.00	707/99/14600	91.87
10629-UP	707-00-01350	70.00	40.00	707/99/14610	53.20		
WA300-1	CLAM	10001-29999	707-00-12040	120.00	60.00	707/99/41140	151.66
	DUMP	10001-UP	707-01-16151	160.00	80.00	707/99/62010	137.38
	GRAPPLE	10001-29999	707-00-10040	100.00	50.00	707/99/32100	86.22
WA320-1	LIFT STEERING	10001-29999	707-01-14131	140.00	80.00	707/99/54100	117.36
		10001-29999	707-00-70131	70.00	40.00	707/99/14600	91.87
	DUMP	10001-19999	707-01-16151	160.00	80.00	707/99/62010	137.38
		20001-UP	707-01-03710	160.00	80.00	707/99/62020	130.74
		10001-19999	707-01-14131	140.00	80.00	707/99/54100	117.36
	STEERING	20001-UP	707-01-03510	140.00	80.00	707/99/54100	117.36
		10001-19999	707-00-70131	70.00	40.00	707/99/14600	91.87
20001-UP		707-00-01380	70.00	40.00	707/99/14610	53.20	
WA350-1	CLAM	10001-UP	707-00-12030	120.00	60.00	707/99/41140	151.66
	DUMP	10001-19999	707-01-18081	180.00	90.00	707/99/64400	202.58
	GRAPPLE LIFT	20001-UP	707-01-03700	180.00	90.00	707/99/64410	139.34
		10001-UP	707-00-10040	100.00	50.00	707/99/32100	86.22
	STEERING	10001-19999	707-01-15071	150.00	90.00	707/99/56500	157.85
		20001-UP	707-01-03500	150.00	85.00	707/99/55500	125.12
		10001-19999	707-00-80021	80.00	45.00	707/99/24110	77.67
		20001-UP	707-00-01800	80.00	45.00	707/99/24120	75.21
WA380-1	DUMP	10001-19999	707-01-18082	180.00	90.00	707/99/64400	202.58
		20001-UP	707-01-03700	180.00	90.00	707/99/64400	202.58
	LIFT	10001-19999	707-01-16280	150.00	90.00	707/99/64010	134.15
		20001-UP	707-01-01080	150.00	90.00	707/99/64010	134.15
STEERING	10001-19999	707-00-80021	80.00	45.00	707/99/24110	77.67	

All manufacturer's names, part numbers and descriptions are used for reference purposes only. We do not imply that any part shown is the product of these manufacturers.

Remsa [KITS]

WHEEL LOADER

KOMATSU

Model	Application	Serial Number	Cylinder Number	Bore (mm)	Rod (mm)	Ref. Number RKOM-	\$
WA400-1	DUMP	20001-UP	707-00-01800	80.00	45.00	707/99/24120	75.21
		10001-19999	707-01-20081	200.00	100.00	707/99/73010	128.67
	LIFT	20001-UP	707-01-03271	200.00	100.00	707/99/73020	118.26
		10001-19999	707-01-16081	160.00	100.00	707/99/66010	94.76
		20001-UP	707-01-01070	150.00	90.00	707/99/64010	134.15
LOG GRAPPLE	10001-19999	707-01-13260	130.00	70.00	707/99/43540	175.73	
LUMBER GRAPPLE	10001-19999	707-00-10040	100.00	50.00	707/99/32100	86.22	
STEERING	10001-19999	707-00-90221	90.00	45.00	707/99/24500	83.56	
WA420-1	DUMP	10001-19999	707-01-20083	200.00	100.00	707/99/73010	128.67
		20001-UP	707-01-01270	200.00	100.00	707/99/73010	128.67
WA450-1	LIFT	10001-19999	707-01-16081	160.00	100.00	707/99/66010	94.76
		20001-UP	707-01-01070	150.00	90.00	707/99/64010	134.15
	STEERING	10001-19999	707-00-90221	90.00	45.00	707/99/24500	83.56
		DUMP	10001-19999	707-01-20121	200.00	100.00	707/99/73010
	GRAPPLE	20001-UP	707-01-03250	200.00	100.00	707/99/73020	118.26
		LIFT	10001-19999	707-01-13260	130.00	70.00	707/99/43540
	STEERING	10001-19999	707-01-18121	180.00	100.00	707/99/66400	187.11
		20001-UP	707-01-03050	180.00	95.00	707/99/65400	144.10
10001-19999		707-00-10211	100.00	50.00	707/99/32100	86.22	
10001-19999		707-00-10231	100.00	50.00	707/99/32100	86.22	
20001-UP	707-00-01840	100.00	50.00	707/99/32110	72.11		
WA470-1	DUMP	20001-UP	707-00-01940	100.00	50.00	707/99/32110	72.11
		10001-19999	707-01-20121	200.00	100.00	707/99/73010	128.67
	LIFT	20001-UP	707-01-03250	200.00	100.00	707/99/73020	118.26
		10001-19999	707-01-18121	180.00	100.00	707/99/66400	187.11
	STEERING	20001-UP	707-01-03050	180.00	95.00	707/99/65400	144.10
		10001-19999	707-00-10211	100.00	50.00	707/99/32100	86.22
		10001-19999	707-00-10231	100.00	50.00	707/99/32100	86.22
		20001-UP	707-00-01840	100.00	50.00	707/99/32110	72.11
20001-UP	707-00-01940	100.00	50.00	707/99/32110	72.11		
WA500-1	DUMP	10001-UP	707-01-22014	225.00	120.00	707/99/75400	166.22
	GRAPPLE	10001-UP	707-01-14011	140.00	70.00	707/99/52100	151.39
	LIFT	10001-UP	707-01-20012	200.00	110.00	707/99/74010	148.28
	STEERING	10001-UP	707-00-11011	110.00	55.00	707/99/34500	73.67
WA600-1	DUMP	10001-UP	707-01-28015	280.00	140.00	707/99/84400	261.05
	GRAPPLE	10001-UP	707-01-14011	140.00	70.00	707/99/52100	151.39
	LIFT	10001-UP	707-01-22111	225.00	120.00	707/99/75410	164.30
	STEERING	10001-UP	707-01-13081	130.00	70.00	707/99/43500	133.64
10001-UP		707-01-13071	130.00	70.00	707/99/43500	133.64	

All manufacturer's names, part numbers and descriptions are used for reference purposes only. We do not imply that any part shown is the product of these manufacturers.

INDUSTRIAL
SEAL KITS

MOBILE
SEAL KITS

KOMATSU

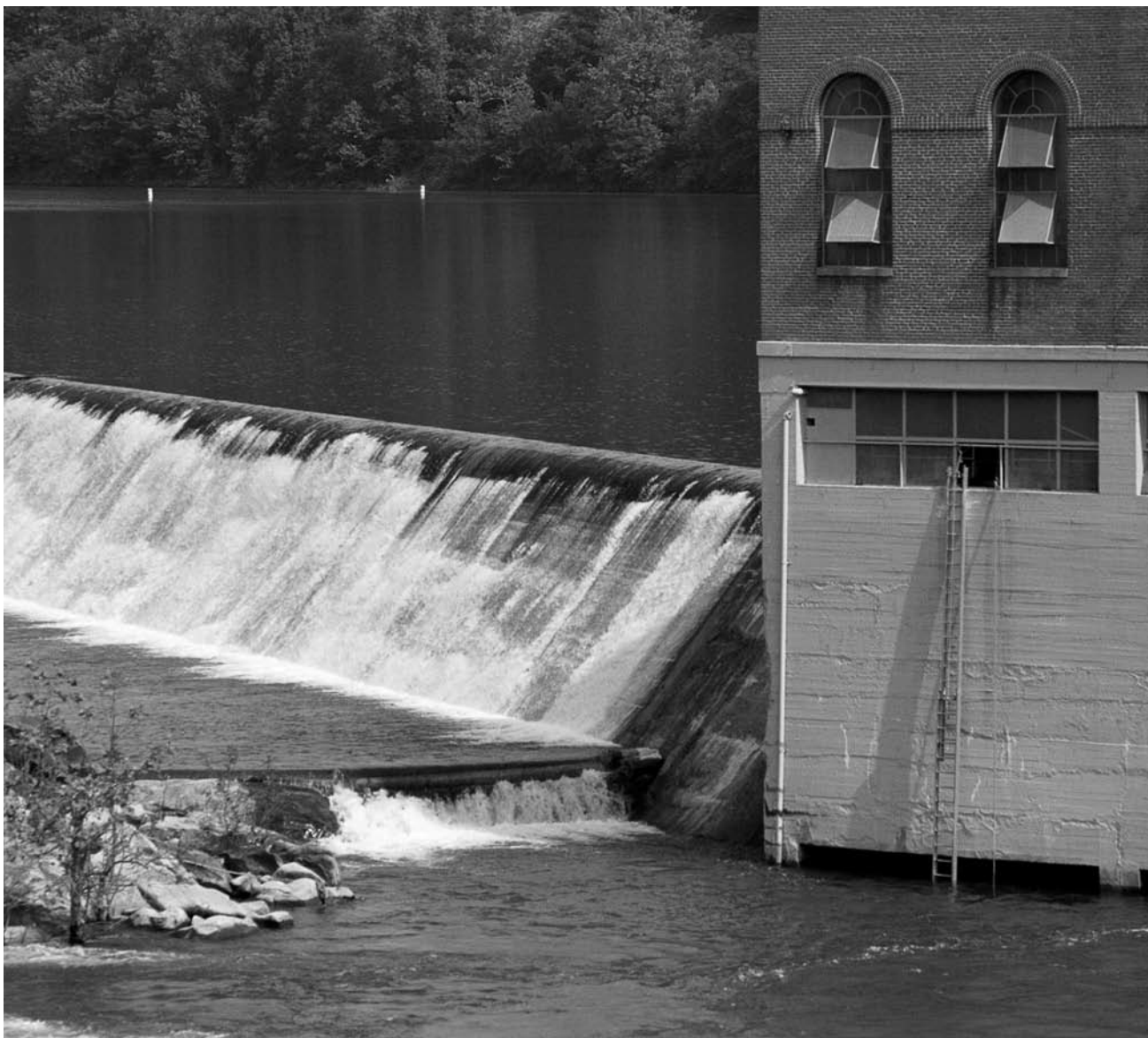
KOMATSU

WHEEL LOADER

Model	Application	Serial Number	Cylinder Number	Bore (mm)	Rod (mm)	Ref. Number RKOM-	\$
WA600-3	LIFT L/H	50001-UP	707-01-X7300	225.00	120.00	707/99/75470	406.96
	R/H	50001-UP	707-01-X7310	225.00	120.00	707/99/75470	406.96
WA800-1, WA800-2	DUMP	10001-UP	707-01-01210	300.00	180.00	707/99/96200	1040.41
	DUMP (HI-LIFT)	10001-UP	707-01-02100	300.00	180.00	707/99/96200	1040.41
	LIFT	10001-UP	707-01-01010	260.00	160.00	707/99/85900	646.84
	LIFT (HI-LIFT)	10001-UP	707-01-02090	260.00	160.00	707/99/85900	646.84
	STEERING	10001-UP	707-01-16181	160.00	100.00	707/99/66210	198.33
		10001-UP	707-01-16191	160.00	100.00	707/99/66210	198.33

INDUSTRIAL SEAL KITS

MOBILE SEAL KITS



KOMATSU

All manufacturer's names, part numbers and descriptions are used for reference purposes only. We do not imply that any part shown is the product of these manufacturers.

Remsa [KITS]

BACK UP RING

KOMATSU

Ref.Number	Description	\$	Ref.Number	Description	\$
RKOM-07001/02018	REPLACEMENT BACK UP RING	1.27	RKOM-07146/05242	REPLACEMENT BACK UP RING	11.94
RKOM-07001/02020	REPLACEMENT BACK UP RING	1.27	RKOM-111/63/81230	REPLACEMENT BACK UP RING	6.33
RKOM-07001/02055	REPLACEMENT BACK UP RING	2.59	RKOM-178/63/22460	REPLACEMENT BACK UP RING	15.13
RKOM-07001/02060	REPLACEMENT BACK UP RING	5.70	RKOM-20D/63/32290	REPLACEMENT BACK UP RING	6.25
RKOM-07001/02065	REPLACEMENT BACK UP RING	3.14	RKOM-569/63/42190	REPLACEMENT BACK UP RING	9.17
RKOM-07001/02070	REPLACEMENT BACK UP RING	5.84	RKOM-707/35/52660	REPLACEMENT BACK UP RING	5.70
RKOM-07001/02075	REPLACEMENT BACK UP RING	5.84	RKOM-707/35/52690	REPLACEMENT BACK UP RING	5.84
RKOM-07001/02080	REPLACEMENT BACK UP RING	5.92	RKOM-707/35/52700	REPLACEMENT BACK UP RING	5.84
RKOM-07001/02085	REPLACEMENT BACK UP RING	5.84	RKOM-707/35/52760	REPLACEMENT BACK UP RING	5.84
RKOM-07001/02090	REPLACEMENT BACK UP RING	5.84	RKOM-707/35/52830	REPLACEMENT BACK UP RING	5.84
RKOM-07001/02095	REPLACEMENT BACK UP RING	5.84	RKOM-707/35/52860	REPLACEMENT BACK UP RING	6.25
RKOM-07001/03022	REPLACEMENT BACK UP RING	1.27	RKOM-707/35/52880	REPLACEMENT BACK UP RING	6.70
RKOM-07001/03040	REPLACEMENT BACK UP RING	1.62	RKOM-707/35/52900	REPLACEMENT BACK UP RING	5.70
RKOM-07001/05055	REPLACEMENT BACK UP RING	5.64	RKOM-707/35/52910	REPLACEMENT BACK UP RING	5.84
RKOM-07001/05090	REPLACEMENT BACK UP RING	8.11	RKOM-707/35/52911	REPLACEMENT BACK UP RING	7.45
RKOM-07001/05095	REPLACEMENT BACK UP RING	4.92	RKOM-707/35/52920	REPLACEMENT BACK UP RING	5.92
RKOM-07001/05100	REPLACEMENT BACK UP RING	5.05	RKOM-707/35/52930	REPLACEMENT BACK UP RING	5.84
RKOM-07001/05110	REPLACEMENT BACK UP RING	5.60	RKOM-707/35/52940	REPLACEMENT BACK UP RING	6.00
RKOM-07001/05115	REPLACEMENT BACK UP RING	5.84	RKOM-707/35/52950	REPLACEMENT BACK UP RING	6.13
RKOM-07001/05118	REPLACEMENT BACK UP RING	9.03	RKOM-707/35/90960	REPLACEMENT BACK UP RING	4.24
RKOM-07001/05120	REPLACEMENT BACK UP RING	6.11	RKOM-707/35/91010	REPLACEMENT BACK UP RING	1.22
RKOM-07001/05125	REPLACEMENT BACK UP RING	6.39	RKOM-707/35/91100	REPLACEMENT BACK UP RING	6.13
RKOM-07001/05130	REPLACEMENT BACK UP RING	6.50	RKOM-707/35/91140	REPLACEMENT BACK UP RING	6.78
RKOM-07001/05135	REPLACEMENT BACK UP RING	6.78	RKOM-707/35/91200	REPLACEMENT BACK UP RING	6.25
RKOM-07001/05155	REPLACEMENT BACK UP RING	7.70	RKOM-707/35/91440	REPLACEMENT BACK UP RING	6.78
RKOM-07001/05170	REPLACEMENT BACK UP RING	8.37	RKOM-707/35/91550	REPLACEMENT BACK UP RING	7.30
RKOM-07001/05175	REPLACEMENT BACK UP RING	9.23	RKOM-707/35/91650	REPLACEMENT BACK UP RING	7.70
RKOM-07001/05180	REPLACEMENT BACK UP RING	9.03	RKOM-707/35/91750	REPLACEMENT BACK UP RING	8.23
RKOM-07001/05220	REPLACEMENT BACK UP RING	26.06	RKOM-707/35/91850	REPLACEMENT BACK UP RING	1.52
RKOM-07146/02006	REPLACEMENT BACK UP RING	5.84	RKOM-707/35/92600	REPLACEMENT BACK UP RING	5.70
RKOM-07146/02056	REPLACEMENT BACK UP RING	3.86	RKOM-707/35/92900	REPLACEMENT BACK UP RING	1.82
RKOM-07146/02066	REPLACEMENT BACK UP RING	3.14	RKOM-707/35/93020	REPLACEMENT BACK UP RING	17.60
RKOM-07146/02076	REPLACEMENT BACK UP RING	5.84	RKOM-707/35/99500	REPLACEMENT BACK UP RING	1.40
RKOM-07146/02086	REPLACEMENT BACK UP RING	5.84	RKOM-707/35/99510	REPLACEMENT BACK UP RING	1.82
RKOM-07146/02096	REPLACEMENT BACK UP RING	5.84			
RKOM-07146/02106	REPLACEMENT BACK UP RING	6.13			
RKOM-07146/02116	REPLACEMENT BACK UP RING	6.25			
RKOM-07146/02126	REPLACEMENT BACK UP RING	6.33			
RKOM-07146/02128	REPLACEMENT BACK UP RING	6.41			
RKOM-07146/02136	REPLACEMENT BACK UP RING	6.70			
RKOM-07146/02146	REPLACEMENT BACK UP RING	7.53			
RKOM-07146/05152	REPLACEMENT BACK UP RING	7.45			
RKOM-07146/05172	REPLACEMENT BACK UP RING	8.37			
RKOM-07146/05192	REPLACEMENT BACK UP RING	9.44			

All manufacturer's names, part numbers and descriptions are used for reference purposes only. We do not imply that any part shown is the product of these manufacturers.

INDUSTRIAL SEAL KITS

MOBILE SEAL KITS

KOMATSU

KOMATSU

CAST IRON RING

Ref.Number	Description	\$	Ref.Number	Description	\$
RKOM-707/44/90911	90.00 - CAST IRON RING	15.73	RKOM-707/44/13920	135.00 - CAST IRON RING	24.73
RKOM-707/44/95911	95.00 - CAST IRON RING	18.88	RKOM-707/44/14910	140.00 - CAST IRON RING	29.22
RKOM-707/44/10911	105.00 - CAST IRON RING	19.27	RKOM-707/44/16910	160.00 - CAST IRON RING	34.18
RKOM-707/44/11920	115.00 - CAST IRON RING	35.60	RKOM-707/44/18920	185.00 - CAST IRON RING	41.36
RKOM-707/44/12911	120.00 - CAST IRON RING	37.98	RKOM-707/44/25910	250.00 - CAST IRON RING	130.01
RKOM-707/44/12920	125.00 - CAST IRON RING	37.88			
RKOM-707/44/13911	130.00 - CAST IRON RING	40.34			

KOMATSU

REPLACEMENT PART

RKOM-BF5160	REPLACEMENT KOMATSU PART	32.55			
RKOM-BF5161	REPLACEMENT KOMATSU PART	30.96			

KOMATSU

GUIDE ELEMENT

RKOM-707/39/35010	35.00 - GUIDE ELEMENT	3.72	RKOM-07156/01417	140.00 - GUIDE ELEMENT	19.96
RKOM-707/39/55110	55.00 - GUIDE ELEMENT	5.92	RKOM-707/39/14820	140.00 - GUIDE ELEMENT	53.85
RKOM-07155/00615	60.00 - GUIDE ELEMENT	9.26	RKOM-07155/01535	150.00 - GUIDE ELEMENT	48.94
RKOM-07155/00720	70.00 - GUIDE ELEMENT	8.42	RKOM-707/39/15820	150.00 - GUIDE ELEMENT	37.15
RKOM-07155/00820	80.00 - GUIDE ELEMENT	20.76	RKOM-707/44/01580	150.00 - GUIDE ELEMENT	37.15
RKOM-07155/00925	90.00 - GUIDE ELEMENT	14.09	RKOM-07155/01640	160.00 - GUIDE ELEMENT	51.02
RKOM-707/39/90110	90.00 - GUIDE ELEMENT	23.62	RKOM-07156/01620	160.00 - GUIDE ELEMENT	41.41
RKOM-707/39/95120	95.00 - GUIDE ELEMENT	23.94	RKOM-707/39/16820	160.00 - GUIDE ELEMENT	60.02
RKOM-07155/01025	100.00 - GUIDE ELEMENT	14.09	RKOM-07155/01845	180.00 - GUIDE ELEMENT	18.65
RKOM-07156/01012	100.00 - GUIDE ELEMENT	10.59	RKOM-07156/01822	180.00 - GUIDE ELEMENT	60.49
RKOM-707/39/10520	105.00 - GUIDE ELEMENT	24.31	RKOM-707/39/18830	185.00 - GUIDE ELEMENT	67.92
RKOM-07155/01125	110.00 - GUIDE ELEMENT	17.99	RKOM-07155/02045	200.00 - GUIDE ELEMENT	25.95
RKOM-07156/01112	110.00 - GUIDE ELEMENT	10.67	RKOM-07156/02022	200.00 - GUIDE ELEMENT	19.18
RKOM-707/39/11110	110.00 - GUIDE ELEMENT	34.81	RKOM-07155/02250	225.00 - GUIDE ELEMENT	70.81
RKOM-707/39/11510	115.00 - GUIDE ELEMENT	41.03	RKOM-07156/02225	225.00 - GUIDE ELEMENT	70.60
RKOM-07155/01230	120.00 - GUIDE ELEMENT	21.80	RKOM-07155/02555	250.00 - GUIDE ELEMENT	90.97
RKOM-707/39/12110	120.00 - GUIDE ELEMENT	43.46	RKOM-707/39/25820	250.00 - GUIDE ELEMENT	86.85
RKOM-707/39/12560	125.00 - GUIDE ELEMENT	19.66	RKOM-07155/02860	280.00 - GUIDE ELEMENT	125.65
RKOM-07155/01330	130.00 - GUIDE ELEMENT	33.04			
RKOM-07156/01315	130.00 - GUIDE ELEMENT	16.92			
RKOM-707/39/13110	130.00 - GUIDE ELEMENT	43.90			
RKOM-707/39/13510	135.00 - GUIDE ELEMENT	47.66			
RKOM-07155/01435	140.00 - GUIDE ELEMENT	10.40			

All manufacturer's names, part numbers and descriptions are used for reference purposes only. We do not imply that any part shown is the product of these manufacturers.

Remsa [KITS]

NUTS

KOMATSU

Ref.Number	Description	\$	Ref.Number	Description	\$
RKOM-07165/13941	M-39-4	2.362	RKOM-07165/16870	M-68-4	3.740
RKOM-07165/13638	M-36-4	2.165	RKOM-07165/18583	M-85-4	4.500
RKOM-07165/14547	M-45-3	2.750	RKOM-175/63/52432	M-68-4	3.740
RKOM-07165/15252	M-52-3	3.125	RKOM-707/68/10680	M-68-4	3.740
RKOM-07165/15860	M-58-4	3.346	RKOM-707/68/10580	M-59-4	3.312

OIL SEAL

KOMATSU

RKOM-6210/61/1520	KOMATSU REPLACEMENT PART	43.54	RKOM-20Y/70/23220	KOMATSU REPLACEMENT PART	23.5
RKOM-07012/50150	KOMATSU REPLACEMENT PART	114.90	RKOM-21K/70/12180	KOMATSU REPLACEMENT PART	23.5
RKOM-427/22/21760	KOMATSU REPLACEMENT PART	82.42			
RKOM-581/22/21851	KOMATSU REPLACEMENT PART	1792.63			



All manufacturer's names, part numbers and descriptions are used for reference purposes only. We do not imply that any part shown is the product of these manufacturers.

INDUSTRIAL
SEAL KITS

MOBILE
SEAL KITS

KOMATSU

KOMATSU

ORING

INDUSTRIAL
SEAL KITS

MOBILE
SEAL KITS

KOMATSU

Ref.Number	Description	\$	Ref.Number	Description	\$
RKOM-02896/11012	REPLACEMENT ORING	1.41	RKOM-07000/03098	REPLACEMENT ORING	0.66
RKOM-02896/11018	REPLACEMENT ORING	1.67	RKOM-07000/03105	REPLACEMENT ORING	0.77
RKOM-07000/01125	REPLACEMENT ORING	2.07	RKOM-07000/03110	REPLACEMENT ORING	0.80
RKOM-07000/02005	REPLACEMENT ORING	0.07	RKOM-07000/03115	REPLACEMENT ORING	1.00
RKOM-07000/02010	REPLACEMENT ORING	0.05	RKOM-07000/03120	REPLACEMENT ORING	1.06
RKOM-07000/02011	REPLACEMENT ORING	0.07	RKOM-07000/03130	REPLACEMENT ORING	1.18
RKOM-07000/02012	REPLACEMENT ORING	0.42	RKOM-07000/03140	REPLACEMENT ORING	1.37
RKOM-07000/02014	REPLACEMENT ORING	0.09	RKOM-07000/05055	REPLACEMENT ORING	1.90
RKOM-07000/02015	REPLACEMENT ORING	0.59	RKOM-07000/05060	REPLACEMENT ORING	2.58
RKOM-07000/02016	REPLACEMENT ORING	0.09	RKOM-07000/05065	REPLACEMENT ORING	3.29
RKOM-07000/02018	REPLACEMENT ORING	0.09	RKOM-07000/05070	REPLACEMENT ORING	3.30
RKOM-07000/02020	REPLACEMENT ORING	0.74	RKOM-07000/05075	REPLACEMENT ORING	3.52
RKOM-07000/02050	REPLACEMENT ORING	2.44	RKOM-07000/05080	REPLACEMENT ORING	3.60
RKOM-07000/02055	REPLACEMENT ORING	0.78	RKOM-07000/05085	REPLACEMENT ORING	3.73
RKOM-07000/02060	REPLACEMENT ORING	0.88	RKOM-07000/05090	REPLACEMENT ORING	3.81
RKOM-07000/02065	REPLACEMENT ORING	0.93	RKOM-07000/05095	REPLACEMENT ORING	3.95
RKOM-07000/02070	REPLACEMENT ORING	1.12	RKOM-07000/05100	REPLACEMENT ORING	4.03
RKOM-07000/02075	REPLACEMENT ORING	1.34	RKOM-07000/05105	REPLACEMENT ORING	5.14
RKOM-07000/02080	REPLACEMENT ORING	1.36	RKOM-07000/05110	REPLACEMENT ORING	5.24
RKOM-07000/02085	REPLACEMENT ORING	4.83	RKOM-07000/05120	REPLACEMENT ORING	5.43
RKOM-07000/02090	REPLACEMENT ORING	1.39	RKOM-07000/05125	REPLACEMENT ORING	5.52
RKOM-07000/02095	REPLACEMENT ORING	5.66	RKOM-07000/05130	REPLACEMENT ORING	5.55
RKOM-07000/02100	REPLACEMENT ORING	1.57	RKOM-07000/05135	REPLACEMENT ORING	5.64
RKOM-07000/02105	REPLACEMENT ORING	1.60	RKOM-07000/05140	REPLACEMENT ORING	5.71
RKOM-07000/02110	REPLACEMENT ORING	6.82	RKOM-07000/05145	REPLACEMENT ORING	5.81
RKOM-07000/02115	REPLACEMENT ORING	2.07	RKOM-07000/05150	REPLACEMENT ORING	6.92
RKOM-07000/02120	REPLACEMENT ORING	2.15	RKOM-07000/05155	REPLACEMENT ORING	4.40
RKOM-07000/02125	REPLACEMENT ORING	7.38	RKOM-07000/05160	REPLACEMENT ORING	4.37
RKOM-07000/02130	REPLACEMENT ORING	2.21	RKOM-07000/05165	REPLACEMENT ORING	4.41
RKOM-07000/02135	REPLACEMENT ORING	8.20	RKOM-07000/05170	REPLACEMENT ORING	4.49
RKOM-07000/02140	REPLACEMENT ORING	8.46	RKOM-07000/05175	REPLACEMENT ORING	6.05
RKOM-07000/02145	REPLACEMENT ORING	2.66	RKOM-07000/05180	REPLACEMENT ORING	11.37
RKOM-07000/03022	REPLACEMENT ORING	0.26	RKOM-07000/05185	REPLACEMENT ORING	6.18
RKOM-07000/03025	REPLACEMENT ORING	0.27	RKOM-07000/05190	REPLACEMENT ORING	6.23
RKOM-07000/03028	REPLACEMENT ORING	0.36	RKOM-07000/05195	REPLACEMENT ORING	6.30
RKOM-07000/03030	REPLACEMENT ORING	0.36	RKOM-07000/05200	REPLACEMENT ORING	7.35
RKOM-07000/03032	REPLACEMENT ORING	0.37	RKOM-07000/05210	REPLACEMENT ORING	7.49
RKOM-07000/03035	REPLACEMENT ORING	1.60	RKOM-07000/05220	REPLACEMENT ORING	7.64
RKOM-07000/03038	REPLACEMENT ORING	0.49	RKOM-07000/05225	REPLACEMENT ORING	7.75
RKOM-07000/03040	REPLACEMENT ORING	2.14	RKOM-07000/05230	REPLACEMENT ORING	7.75
RKOM-07000/03042	REPLACEMENT ORING	0.52	RKOM-07000/05235	REPLACEMENT ORING	8.32
RKOM-07000/03045	REPLACEMENT ORING	0.67	RKOM-07000/05240	REPLACEMENT ORING	8.46
RKOM-07000/03048	REPLACEMENT ORING	0.69	RKOM-07000/05250	REPLACEMENT ORING	8.92
RKOM-07000/03050	REPLACEMENT ORING	0.71	RKOM-07000/05260	REPLACEMENT ORING	9.80
RKOM-07000/03070	REPLACEMENT ORING	0.48	RKOM-07000/05270	REPLACEMENT ORING	9.88
RKOM-07000/03092	REPLACEMENT ORING	0.63	RKOM-07000/05280	REPLACEMENT ORING	10.43
RKOM-07000/03095	REPLACEMENT ORING	0.64	RKOM-07000/05290	REPLACEMENT ORING	11.03

All manufacturer's names, part numbers and descriptions are used for reference purposes only. We do not imply that any part shown is the product of these manufacturers.

Remsa [KITS]

ORING

KOMATSU

Ref.Number	Description	\$	Ref.Number	Description	\$
RKOM-07000/05300	REPLACEMENT ORING	11.10	RKOM-07000/13032	REPLACEMENT ORING	0.99
RKOM-07000/05305	REPLACEMENT ORING	13.00	RKOM-07000/13035	REPLACEMENT ORING	1.04
RKOM-07000/05310	REPLACEMENT ORING	13.00	RKOM-07000/13038	REPLACEMENT ORING	1.11
RKOM-07000/05345	REPLACEMENT ORING	14.80	RKOM-07000/13040	REPLACEMENT ORING	1.13
RKOM-07000/05400	REPLACEMENT ORING	19.87	RKOM-07000/13042	REPLACEMENT ORING	1.19
RKOM-07000/05430	REPLACEMENT ORING	21.60	RKOM-07000/13045	REPLACEMENT ORING	1.29
RKOM-07000/05435	REPLACEMENT ORING	21.47	RKOM-07000/13048	REPLACEMENT ORING	1.66
RKOM-07000/05440	REPLACEMENT ORING	21.85	RKOM-07000/13050	REPLACEMENT ORING	1.72
RKOM-07000/05445	REPLACEMENT ORING	22.00	RKOM-07000/13090	REPLACEMENT ORING	0.87
RKOM-07000/05460	REPLACEMENT ORING	23.19	RKOM-07000/13110	REPLACEMENT ORING	5.43
RKOM-07000/05465	REPLACEMENT ORING	23.34	RKOM-07000/13140	REPLACEMENT ORING	2.06
RKOM-07000/05470	REPLACEMENT ORING	23.60	RKOM-07000/15058	REPLACEMENT ORING	2.66
RKOM-07000/05480	REPLACEMENT ORING	24.13	RKOM-07000/15070	REPLACEMENT ORING	3.53
RKOM-07000/05490	REPLACEMENT ORING	24.46	RKOM-07000/15085	REPLACEMENT ORING	3.86
RKOM-07000/05495	REPLACEMENT ORING	24.64	RKOM-07000/15090	REPLACEMENT ORING	4.38
RKOM-07000/05500	REPLACEMENT ORING	25.06	RKOM-07000/15095	REPLACEMENT ORING	5.12
RKOM-07000/11009	REPLACEMENT ORING	0.20	RKOM-07000/15100	REPLACEMENT ORING	5.24
RKOM-07000/12010	REPLACEMENT ORING	0.31	RKOM-07000/15105	REPLACEMENT ORING	5.32
RKOM-07000/12011	REPLACEMENT ORING	0.32	RKOM-07000/15110	REPLACEMENT ORING	5.43
RKOM-07000/12012	REPLACEMENT ORING	0.32	RKOM-07000/15115	REPLACEMENT ORING	5.55
RKOM-07000/12014	REPLACEMENT ORING	0.45	RKOM-07000/15120	REPLACEMENT ORING	5.66
RKOM-07000/12015	REPLACEMENT ORING	0.44	RKOM-07000/15125	REPLACEMENT ORING	5.66
RKOM-07000/12016	REPLACEMENT ORING	0.44	RKOM-07000/15130	REPLACEMENT ORING	5.66
RKOM-07000/12018	REPLACEMENT ORING	0.45	RKOM-07000/15135	REPLACEMENT ORING	5.73
RKOM-07000/12020	REPLACEMENT ORING	0.55	RKOM-07000/15140	REPLACEMENT ORING	5.78
RKOM-07000/12021	REPLACEMENT ORING	0.70	RKOM-07000/15145	REPLACEMENT ORING	5.89
RKOM-07000/12055	REPLACEMENT ORING	1.26	RKOM-07000/15150	REPLACEMENT ORING	6.14
RKOM-07000/12060	REPLACEMENT ORING	1.44	RKOM-07000/15160	REPLACEMENT ORING	7.61
RKOM-07000/12065	REPLACEMENT ORING	1.43	RKOM-07000/15165	REPLACEMENT ORING	9.22
RKOM-07000/12070	REPLACEMENT ORING	1.45	RKOM-07000/15170	REPLACEMENT ORING	9.31
RKOM-07000/12075	REPLACEMENT ORING	5.60	RKOM-07000/15175	REPLACEMENT ORING	9.48
RKOM-07000/12080	REPLACEMENT ORING	1.76	RKOM-07000/15180	REPLACEMENT ORING	10.58
RKOM-07000/12085	REPLACEMENT ORING	1.81	RKOM-07000/15185	REPLACEMENT ORING	10.71
RKOM-07000/12090	REPLACEMENT ORING	1.83	RKOM-07000/15190	REPLACEMENT ORING	10.81
RKOM-07000/12095	REPLACEMENT ORING	1.88	RKOM-07000/15195	REPLACEMENT ORING	10.94
RKOM-07000/12100	REPLACEMENT ORING	2.04	RKOM-07000/15200	REPLACEMENT ORING	14.09
RKOM-07000/12105	REPLACEMENT ORING	2.09	RKOM-07000/15220	REPLACEMENT ORING	19.84
RKOM-07000/12110	REPLACEMENT ORING	2.13	RKOM-07000/15230	REPLACEMENT ORING	20.56
RKOM-07000/12115	REPLACEMENT ORING	2.15	RKOM-07000/15240	REPLACEMENT ORING	21.84
RKOM-07000/12125	REPLACEMENT ORING	2.38	RKOM-07000/15250	REPLACEMENT ORING	24.66
RKOM-07000/12130	REPLACEMENT ORING	2.40	RKOM-07000/15260	REPLACEMENT ORING	25.49
RKOM-07000/12135	REPLACEMENT ORING	2.81	RKOM-07000/15270	REPLACEMENT ORING	25.67
RKOM-07000/12145	REPLACEMENT ORING	2.88	RKOM-07000/15275	REPLACEMENT ORING	25.70
RKOM-07000/13022	REPLACEMENT ORING	0.36	RKOM-07000/15280	REPLACEMENT ORING	26.99
RKOM-07000/13025	REPLACEMENT ORING	0.58	RKOM-07000/15290	REPLACEMENT ORING	31.84
RKOM-07000/13028	REPLACEMENT ORING	0.80	RKOM-07000/15455	REPLACEMENT ORING	77.44
RKOM-07000/13030	REPLACEMENT ORING	0.95	RKOM-07000/15500	REPLACEMENT ORING	86.11

All manufacturer's names, part numbers and descriptions are used for reference purposes only. We do not imply that any part shown is the product of these manufacturers.

INDUSTRIAL SEAL KITS

MOBILE SEAL KITS

KOMATSU

KOMATSU

ORING

INDUSTRIAL
SEAL KITS

MOBILE
SEAL KITS

KOMATSU

Ref.Number	Description	\$	Ref.Number	Description	\$
RKOM-07000/16150	REPLACEMENT ORING	2.80	RKOM-07000/E3030	REPLACEMENT ORING	3.24
RKOM-07000/22070	REPLACEMENT ORING	1.12	RKOM-07000/E3032	REPLACEMENT ORING	3.35
RKOM-07000/32055	REPLACEMENT ORING	0.78	RKOM-07000/E3035	REPLACEMENT ORING	3.48
RKOM-07000/62018	REPLACEMENT ORING	0.09	RKOM-07000/E3038	REPLACEMENT ORING	3.66
RKOM-07000/62070	REPLACEMENT ORING	1.12	RKOM-07000/E3042	REPLACEMENT ORING	3.80
RKOM-07000/62115	REPLACEMENT ORING	2.07	RKOM-07000/E3045	REPLACEMENT ORING	3.89
RKOM-07000/62130	REPLACEMENT ORING	2.21	RKOM-07000/E3048	REPLACEMENT ORING	4.08
RKOM-07000/63045	REPLACEMENT ORING	0.67	RKOM-07000/E3050	REPLACEMENT ORING	4.09
RKOM-07000/65190	REPLACEMENT ORING	6.23	RKOM-07002/02034	REPLACEMENT ORING	0.10
RKOM-07000/72010	REPLACEMENT ORING	1.75	RKOM-07002/02434	REPLACEMENT ORING	0.11
RKOM-07000/72012	REPLACEMENT ORING	1.76	RKOM-07002/03034	REPLACEMENT ORING	0.23
RKOM-07000/72014	REPLACEMENT ORING	1.77	RKOM-07002/03634	REPLACEMENT ORING	0.19
RKOM-07000/72015	REPLACEMENT ORING	1.78	RKOM-07002/12034	REPLACEMENT ORING	0.10
RKOM-07000/72016	REPLACEMENT ORING	1.79	RKOM-07002/13034	REPLACEMENT ORING	0.17
RKOM-07000/72018	REPLACEMENT ORING	1.82	RKOM-07002/13634	REPLACEMENT ORING	0.19
RKOM-07000/72020	REPLACEMENT ORING	1.83	RKOM-195/27/00121	REPLACEMENT ORING	90.44
RKOM-07000/72021	REPLACEMENT ORING	1.85	RKOM-195/27/31490	REPLACEMENT ORING	0/R
RKOM-07000/72055	REPLACEMENT ORING	9.94	RKOM-198/63/43430	REPLACEMENT ORING	1.77
RKOM-07000/72060	REPLACEMENT ORING	10.93	RKOM-207/70/33181	REPLACEMENT ORING	24.92
RKOM-07000/72070	REPLACEMENT ORING	13.05	RKOM-21T/09/11430	REPLACEMENT ORING	0.27
RKOM-07000/72115	REPLACEMENT ORING	28.06	RKOM-21T/09/11450	REPLACEMENT ORING	0.36
RKOM-07000/73022	REPLACEMENT ORING	1.91	RKOM-21T/09/11460	REPLACEMENT ORING	4.72
RKOM-07000/73025	REPLACEMENT ORING	8.87	RKOM-21T/09/11470	REPLACEMENT ORING	8.21
RKOM-07000/73028	REPLACEMENT ORING	1.98	RKOM-21T/09/11480	REPLACEMENT ORING	8.31
RKOM-07000/73030	REPLACEMENT ORING	9.56	RKOM-235/40/05110	REPLACEMENT ORING	7.89
RKOM-07000/73032	REPLACEMENT ORING	9.83	RKOM-707/34/36000	REPLACEMENT ORING	0.15
RKOM-07000/73035	REPLACEMENT ORING	10.40	RKOM-EH7190	REPLACEMENT ORING	9.26
RKOM-07000/73038	REPLACEMENT ORING	2.07	RKOM-EH7192	REPLACEMENT ORING	28.29
RKOM-07000/73040	REPLACEMENT ORING	2.12	RKOM-EH7194	REPLACEMENT ORING	66.57
RKOM-07000/73042	REPLACEMENT ORING	2.14	RKOM-EH7196	REPLACEMENT ORING	88.73
RKOM-07000/73045	REPLACEMENT ORING	11.45			
RKOM-07000/73048	REPLACEMENT ORING	2.24			
RKOM-07000/73050	REPLACEMENT ORING	2.28			
RKOM-07000/75065	REPLACEMENT ORING	3.31			
RKOM-07000/75165	REPLACEMENT ORING	52.30			
RKOM-07000/E1006	REPLACEMENT ORING	1.83			
RKOM-07000/E2011	REPLACEMENT ORING	1.99			
RKOM-07000/E2015	REPLACEMENT ORING	2.09			
RKOM-07000/E2016	REPLACEMENT ORING	2.12			
RKOM-07000/E2018	REPLACEMENT ORING	2.17			
RKOM-07000/E2020	REPLACEMENT ORING	2.23			
RKOM-07000/E2055	REPLACEMENT ORING	4.00			
RKOM-07000/E2060	REPLACEMENT ORING	4.21			
RKOM-07000/E2065	REPLACEMENT ORING	4.40			
RKOM-07000/E2070	REPLACEMENT ORING	4.61			
RKOM-07000/E3024	REPLACEMENT ORING	2.96			
RKOM-07000/E3028	REPLACEMENT ORING	3.15			

All manufacturer's names, part numbers and descriptions are used for reference purposes only. We do not imply that any part shown is the product of these manufacturers.

Remsa [KITS]

ORING KITS

KOMATSU

Ref.Number	Description	\$	Ref.Number	Description	\$
RKOM-1400688H91	REPLACEMENT ORING KIT	141.00	RKOM-AK7677	REPLACEMENT ORING KIT	285.99
RKOM-1400690H91	REPLACEMENT ORING KIT	342.86	RKOM-AK7677/2	REPLACEMENT ORING KIT	120.28
RKOM-1400692H91	REPLACEMENT ORING KIT	312.35	RKOM-634526C91	REPLACEMENT ORING KIT	87.51
RKOM-AK7675	REPLACEMENT ORING KIT	165.72			
RKOM-AK7677/1	REPLACEMENT ORING KIT	165.72			

PIN WIPERS

KOMATSU

RKOM-22L/70/21550	35.00 - PIN WIPER	19.41	RKOM-418/09/11110	70.00 - PIN WIPER	5.53
RKOM-419/09/11120	40.00 - PIN WIPER	17.87	RKOM-07145/00075	75.00 - PIN WIPER	9.18
RKOM-707/77/40020	40.00 - PIN WIPER	8.12	RKOM-07145/00080	80.00 - PIN WIPER	10.22
RKOM-07145/00045	45.00 - PIN WIPER	4.07	RKOM-07145/00085	85.00 - PIN WIPER	13.09
RKOM-20U/70/42530	45.00 - PIN WIPER	13.84	RKOM-07145/00090	90.00 - PIN WIPER	13.45
RKOM-707/77/50020	50.00 - PIN WIPER	9.98	RKOM-07145/00095	95.00 - PIN WIPER	14.29
RKOM-07145/00050	50.00 - PIN WIPER	4.60	RKOM-07145/00100	100.00 - PIN WIPER	15.66
RKOM-07145/00055	55.00 - PIN WIPER	6.13	RKOM-418/09/11110	110.00 - PIN WIPER	5.53
RKOM-07145/00060	60.00 - PIN WIPER	6.45	RKOM-07145/00110	110.00 - PIN WIPER	18.39
RKOM-21W/70/41440	60.00 - PIN WIPER	18.70	RKOM-07145/00120	120.00 - PIN WIPER	21.43
RKOM-07145/00065	65.00 - PIN WIPER	7.50	RKOM-21T/72/15870	185.00 - PIN WIPER	111.21
RKOM-707/77/65110	65.00 - PIN WIPER	14.89	RKOM-707/77/16010	205.00 - PIN WIPER	137.06
RKOM-07145/00070	70.00 - PIN WIPER	8.16			

PISTON SEAL

KOMATSU

RKOM-707/44/60180	60.00 - PISTON SEAL	36.31	RKOM-707/44/12180	120.00 - PISTON SEAL	53.27
RKOM-707/44/70070	70.00 - PISTON SEAL	36.31	RKOM-707/44/12280	125.00 - PISTON SEAL	59.23
RKOM-707/44/70080	70.00 - PISTON SEAL	36.31	RKOM-707/44/13070	130.00 - PISTON SEAL	42.50
RKOM-707/44/70180	70.00 - PISTON SEAL	36.31	RKOM-707/44/13080	130.00 - PISTON SEAL	64.01
RKOM-707/44/80080	80.00 - PISTON SEAL	39.47	RKOM-707/44/13180	130.00 - PISTON SEAL	64.01
RKOM-707/44/80180	80.00 - PISTON SEAL	39.47	RKOM-707/44/13280	135.00 - PISTON SEAL	68.10
RKOM-707/44/90070	90.00 - PISTON SEAL	44.47	RKOM-707/44/14080	140.00 - PISTON SEAL	72.49
RKOM-707/44/90080	90.00 - PISTON SEAL	44.47	RKOM-707/44/14180	140.00 - PISTON SEAL	72.49
RKOM-707/44/90180	90.00 - PISTON SEAL	44.47	RKOM-707/44/14280	145.00 - PISTON SEAL	73.02
RKOM-707/44/95180	95.00 - PISTON SEAL	45.37	RKOM-707/44/15080	150.00 - PISTON SEAL	78.85
RKOM-707/44/10080	100.00 - PISTON SEAL	48.04	RKOM-707/44/15180	150.00 - PISTON SEAL	78.85
RKOM-707/44/10180	100.00 - PISTON SEAL	48.04	RKOM-707/44/16080	160.00 - PISTON SEAL	89.56
RKOM-707/44/10280	105.00 - PISTON SEAL	50.21	RKOM-707/44/16180	160.00 - PISTON SEAL	89.56
RKOM-707/44/11080	110.00 - PISTON SEAL	51.13	RKOM-707/44/16280	165.00 - PISTON SEAL	99.04
RKOM-707/44/11180	110.00 - PISTON SEAL	51.13	RKOM-707/44/18080	180.00 - PISTON SEAL	93.87
RKOM-707/44/11280	115.00 - PISTON SEAL	56.49	RKOM-707/44/18180	180.00 - PISTON SEAL	93.87
RKOM-707/44/12080	120.00 - PISTON SEAL	53.27	RKOM-707/44/18250	185.00 - PISTON SEAL	98.14

All manufacturer's names, part numbers and descriptions are used for reference purposes only. We do not imply that any part shown is the product of these manufacturers.

INDUSTRIAL SEAL KITS

MOBILE SEAL KITS

KOMATSU

KOMATSU

PISTON SEAL

Ref.Number	Description	\$	Ref.Number	Description	\$
RKOM-707/44/18280	185.00 - PISTON SEAL	98.14	RKOM-707/44/25080	250.00 - PISTON SEAL	150.79
RKOM-707/44/20080	200.00 - PISTON SEAL	110.86	RKOM-707/44/25180	250.00 - PISTON SEAL	150.79
RKOM-707/44/20180	200.00 - PISTON SEAL	110.86	RKOM-707/44/26180	260.00 - PISTON SEAL	150.79
RKOM-707/44/22080	225.00 - PISTON SEAL	141.17	RKOM-707/44/28080	280.00 - PISTON SEAL	169.08
RKOM-707/44/22180	225.00 - PISTON SEAL	141.17	RKOM-707/44/28180	280.00 - PISTON SEAL	169.08
RKOM-707/44/22280	225.00 - PISTON SEAL	141.17			

KOMATSU

PISTON U-CUP

RKOM-707/44/35010	35.00 - U-CUP	2.94			
RKOM-110/61/14250	100.00 - U-CUP	30.30			
RKOM-707/42/12012	100.00 - U-CUP	30.30			

KOMATSU

RETAINER RING

RKOM-07179/12047	48.00 - RETAINER RING	3.09			
------------------	-----------------------	------	--	--	--

KOMATSU

ROD BEARING

RKOM-07177/02525	25.00 - ROD BEARING	4.21	RKOM-707/52/90500	75.00 - ROD BEARING	21.52
RKOM-07177/03025	30.00 - ROD BEARING	5.88	RKOM-07177/08030	80.00 - ROD BEARING	24.80
RKOM-07177/03525	35.00 - ROD BEARING	6.52	RKOM-07177/08040	80.00 - ROD BEARING	26.96
RKOM-07177/03525	35.00 - ROD BEARING	5.60	RKOM-707/52/10750	80.00 - ROD BEARING	24.58
RKOM-07177/04025	40.00 - ROD BEARING	7.40	RKOM-707/52/90550	80.00 - ROD BEARING	26.96
RKOM-707/52/10410	40.00 - ROD BEARING	8.40	RKOM-707/52/10850	85.00 - ROD BEARING	29.42
RKOM-07177/04530	45.00 - ROD BEARING	10.33	RKOM-707/52/90600	85.00 - ROD BEARING	29.42
RKOM-07177/05030	50.00 - ROD BEARING	12.32	RKOM-07177/09035	90.00 - ROD BEARING	31.22
RKOM-07177/05530	55.00 - ROD BEARING	14.56	RKOM-07177/09040	90.00 - ROD BEARING	33.92
RKOM-07177/06030	60.00 - ROD BEARING	14.80	RKOM-707/52/10910	90.00 - ROD BEARING	35.32
RKOM-07177/06515	65.00 - ROD BEARING	10.04	RKOM-707/52/90650	90.00 - ROD BEARING	33.92
RKOM-07177/06530	65.00 - ROD BEARING	17.23	RKOM-707/52/10950	95.00 - ROD BEARING	35.21
RKOM-707/52/10660	65.00 - ROD BEARING	17.91	RKOM-707/52/90710	95.00 - ROD BEARING	37.89
RKOM-707/52/90400	65.00 - ROD BEARING	17.23	RKOM-707/52/11010	100.00 - ROD BEARING	47.24
RKOM-07177/07015	70.00 - ROD BEARING	16.06	RKOM-07177/01035	100.00 - ROD BEARING	41.02
RKOM-07177/07030	70.00 - ROD BEARING	19.45	RKOM-07177/01040	100.00 - ROD BEARING	41.35
RKOM-707/52/10700	70.00 - ROD BEARING	16.53	RKOM-707/52/90750	100.00 - ROD BEARING	47.24
RKOM-707/52/90450	70.00 - ROD BEARING	19.45	RKOM-707/52/11110	110.00 - ROD BEARING	69.79
RKOM-707/52/90460	70.00 - ROD BEARING	21.62	RKOM-07177/01135	110.00 - ROD BEARING	36.39
RKOM-07177/07530	75.00 - ROD BEARING	21.52	RKOM-07177/01140	110.00 - ROD BEARING	41.81

All manufacturer's names, part numbers and descriptions are used for reference purposes only. We do not imply that any part shown is the product of these manufacturers.

Remsa [KITS]

ROD BEARING

KOMATSU

Ref.Number	Description	\$	Ref.Number	Description	\$
RKOM-707/52/90860	110.00 - ROD BEARING	69.79	RKOM-707/52/11320	130.00 - ROD BEARING	51.85
RKOM-707/76/11130	110.00 - ROD BEARING	38.99	RKOM-707/52/11410	140.00 - ROD BEARING	93.62
RKOM-707/52/11210	120.00 - ROD BEARING	65.76	RKOM-707/52/91350	160.00 - ROD BEARING	106.18
RKOM-07177/01240	120.00 - ROD BEARING	51.59	RKOM-581/63/22291	200.00 - ROD BEARING	110.26
RKOM-707/52/90950	120.00 - ROD BEARING	65.76			
RKOM-707/52/90950	120.00 - ROD BEARING	50.33			

ROD BUFFER

KOMATSU

RKOM-707/51/80630	80.00 - BUFFER RING	33.18	RKOM-707/51/10630	100.00 - BUFFER RING	46.67
RKOM-707/51/85630	85.00 - BUFFER RING	35.60	RKOM-707/51/10640	100.00 - BUFFER RING	46.67
RKOM-707/51/90630	90.00 - BUFFER RING	42.97	RKOM-707/51/13650	130.00 - BUFFER RING	84.86
RKOM-707/51/95630	95.00 - BUFFER RING	45.37			

ROD SEAL

KOMATSU

RKOM-707/51/20030	20.00 - ROD SEAL	31.39	RKOM-707/51/75030	75.00 - ROD SEAL	29.60
RKOM-707/51/30210	30.00 - ROD SEAL	7.88	RKOM-707/51/75110	75.00 - ROD SEAL	21.91
RKOM-707/51/35210	35.00 - ROD SEAL	6.54	RKOM-707/51/75211	78.00 - ROD SEAL	29.96
RKOM-707/51/40030	40.00 - ROD SEAL	16.86	RKOM-707/51/80030	80.00 - ROD SEAL	30.57
RKOM-707/51/40210	40.00 - ROD SEAL	10.70	RKOM-707/51/80110	80.00 - ROD SEAL	24.10
RKOM-707/51/45030	45.00 - ROD SEAL	31.92	RKOM-707/51/80211	80.00 - ROD SEAL	30.94
RKOM-707/51/45210	45.00 - ROD SEAL	10.54	RKOM-707/51/85030	85.00 - ROD SEAL	32.99
RKOM-707/51/50030	50.00 - ROD SEAL	26.81	RKOM-707/51/85211	85.00 - ROD SEAL	33.39
RKOM-707/51/50110	50.00 - ROD SEAL	17.44	RKOM-154/63/52171	90.00 - ROD SEAL	17.31
RKOM-707/51/50210	50.00 - ROD SEAL	14.50	RKOM-154/63/52173	90.00 - ROD SEAL	17.31
RKOM-707/51/50211	50.00 - ROD SEAL	24.13	RKOM-707/51/90030	90.00 - ROD SEAL	35.10
RKOM-130/63/12173	55.00 - ROD SEAL	16.67	RKOM-707/51/90110	90.00 - ROD SEAL	17.31
RKOM-707/51/55030	55.00 - ROD SEAL	30.38	RKOM-707/51/90211	90.00 - ROD SEAL	35.52
RKOM-707/51/55110	55.00 - ROD SEAL	16.67	RKOM-707/51/95030	95.00 - ROD SEAL	36.66
RKOM-707/51/55211	55.00 - ROD SEAL	28.05	RKOM-707/51/95211	95.00 - ROD SEAL	37.11
RKOM-707/51/60030	60.00 - ROD SEAL	25.64	RKOM-707/51/10030	100.00 - ROD SEAL	37.05
RKOM-707/51/60060	60.00 - ROD SEAL	26.00	RKOM-707/51/10110	100.00 - ROD SEAL	29.36
RKOM-707/51/60211	60.00 - ROD SEAL	26.00	RKOM-707/51/10130	100.00 - ROD SEAL	37.50
RKOM-707/51/65030	65.00 - ROD SEAL	26.14	RKOM-707/51/10211	100.00 - ROD SEAL	37.50
RKOM-707/51/65110	65.00 - ROD SEAL	15.79	RKOM-707/51/11030	110.00 - ROD SEAL	47.84
RKOM-707/51/65211	65.00 - ROD SEAL	26.46	RKOM-707/51/11110	110.00 - ROD SEAL	39.18
RKOM-154/63/42370	70.00 - ROD SEAL	21.74	RKOM-707/51/12030	120.00 - ROD SEAL	49.19
RKOM-154/63/42373	70.00 - ROD SEAL	21.74	RKOM-707/51/12110	120.00 - ROD SEAL	45.48
RKOM-707/51/70030	70.00 - ROD SEAL	27.40	RKOM-707/51/13030	130.00 - ROD SEAL	72.69
RKOM-707/51/70110	70.00 - ROD SEAL	21.74	RKOM-707/51/13130	130.00 - ROD SEAL	55.17
RKOM-707/51/70211	70.00 - ROD SEAL	27.73	RKOM-707/51/14080	140.00 - ROD SEAL	73.62

All manufacturer's names, part numbers and descriptions are used for reference purposes only. We do not imply that any part shown is the product of these manufacturers.

INDUSTRIAL SEAL KITS

MOBILE SEAL KITS

KOMATSU

KOMATSU

ROD SEAL

Ref.Number	Description	\$	Ref.Number	Description	\$
RKOM-707/51/14110	140.00 - ROD SEAL	48.89	RKOM-707/51/17130	170.00 - ROD SEAL	67.30
RKOM-707/51/14130	140.00 - ROD SEAL	78.42	RKOM-707/51/20250	200.00 - ROD SEAL	171.73

KOMATSU

ROD WIPER

RKOM-707/56/20590	20.00 - ROD WIPER	3.38	RKOM-07016/20958	95.00 - ROD WIPER	47.88
RKOM-175/63/75190	35.00 - ROD WIPER	15.26	RKOM-707/56/95510	95.00 - ROD WIPER	24.34
RKOM-07016/20407	40.00 - ROD WIPER	18.64	RKOM-07016/01008	100.00 - ROD WIPER	49.15
RKOM-707/56/45510	40.00 - ROD WIPER	18.64	RKOM-07016/21008	100.00 - ROD WIPER	49.15
RKOM-198/63/75190	40.00 - ROD WIPER	18.64	RKOM-176/63/56170	100.00 - ROD WIPER	49.15
RKOM-07016/20457	45.00 - ROD WIPER	20.33	RKOM-208/70/12231	100.00 - ROD WIPER	31.46
RKOM-707/56/45740	45.00 - ROD WIPER	20.23	RKOM-07016/21109	110.00 - ROD WIPER	50.35
RKOM-07016/20507	50.00 - ROD WIPER	21.35	RKOM-198/63/94170	110.00 - ROD WIPER	50.35
RKOM-113/30/24240	50.00 - ROD WIPER	21.35	RKOM-07016/21209	120.00 - ROD WIPER	55.10
RKOM-130/09/12931	50.00 - ROD WIPER	21.32	RKOM-195/63/93170	120.00 - ROD WIPER	55.10
RKOM-07016/00558	55.00 - ROD WIPER	24.40	RKOM-707/56/13520	130.00 - ROD WIPER	60.29
RKOM-707/56/55510	55.00 - ROD WIPER	24.40	RKOM-07016/21400	140.00 - ROD WIPER	61.78
RKOM-07016/20608	60.00 - ROD WIPER	26.44	RKOM-198/50/11171	140.00 - ROD WIPER	13.92
RKOM-141/63/93270	60.00 - ROD WIPER	26.44	RKOM-566/63/22241	160.00 - ROD WIPER	79.88
RKOM-07016/00658	65.00 - ROD WIPER	28.04	RKOM-707/56/17580	170.00 - ROD WIPER	89.09
RKOM-07016/20658	65.00 - ROD WIPER	28.04			
RKOM-144/63/92170	65.00 - ROD WIPER	28.04			
RKOM-07016/00708	70.00 - ROD WIPER	30.09			
RKOM-07016/20708	70.00 - ROD WIPER	30.09			
RKOM-144/63/95170	70.00 - ROD WIPER	30.09			
RKOM-07016/20758	75.00 - ROD WIPER	32.35			
RKOM-144/63/94170	75.00 - ROD WIPER	32.35			
RKOM-195/63/94170	75.00 - ROD WIPER	46.81			
RKOM-07016/20808	80.00 - ROD WIPER	38.15			
RKOM-195/63/92190	80.00 - ROD WIPER	38.15			
RKOM-07016/20858	85.00 - ROD WIPER	43.30			
RKOM-707/56/85510	85.00 - ROD WIPER	43.30			
RKOM-07016/00908	90.00 - ROD WIPER	46.81			
RKOM-195/63/74170	90.00 - ROD WIPER	46.81			

All manufacturer's names, part numbers and descriptions are used for reference purposes only. We do not imply that any part shown is the product of these manufacturers.

INDUSTRIAL
SEAL KITS

MOBILE
SEAL KITS

KOMATSU

OFF-HIGHWAY TRUCK

KOMATSU (WABCO)

Model	Application	Serial Number	Cylinder Group	Bore	Rod	I	Ref. Number RKOM-	\$
						M		
630	FRONT SUSP			N/A	12.000	I	AK0531	627.30
	HOIST			8.25/10.50/13.00	6.75/9.75/12.00	M	AK0719	607.06
	HOIST	AFE42-T	TZ6901/ED5205	7.37/9.50/11.75	5.00/8.50/10.50	M	AK0927	1353.36
	HOIST	AFE46-U	TZ6908/ED5204	7.37/9.50/11.75	5.00/8.50/10.50		AK0928	1220.63
	REAR SUSP	AFE46-R	TZ7661	N/A	N/A	I	AK0532	559.30
	STEERING	AFE43-AQ	TY9950		5.000	2.500	I	AK0076
685	FRONT SUSP			N/A	13.000	I	AK4439	834.13
	HOIST		TZ6901	7.37/9.50/11.75	5.00/8.50/10.50	M	AK0927	1115.04
730	FRONT SUSP		EF8365	N/A	13.000	I	AK3869	834.13
	FRONT SUSP			N/A	13.000	I	AK4439	834.13
	HOIST			8.37/10.50/13.00	6.00/9.50/11.75	M	AK3730	1664.00
	REAR SUSP		EF5423	N/A	10.000	I	AK4235	542.36
	REAR SUSP			N/A	10.000	I	AK4612	542.36
	REAR SUSP			N/A	10.000	I	AK4633	542.36
	REAR SUSP			N/A	10.000	I	AK4657	1094.51
	REAR SUSP			N/A	13.250	I	AK4942	1888.94
	REAR SUSP		EJ8860/EJ6043	340.00	280.00	M	AK4941	1694.98
	STEERING			5.500	2.500	I	AK3729	157.80
	STEERING			5.500	2.500	I	AK4438	157.80
	STEERING			5.500	2.500	I	AK4763	210.43
830	FRONT SUSP			N/A	14.000	I	AK7160	896.68
	FRONT SUSP			N/A	14.000	I	AK3870	896.68
	FRONT SUSP	AF050-BU	EJ6895	N/A	14.000	I	AK4441	990.44
	FRONT SUSP		EG5019	N/A	N/A		NO KIT	
	FRONT SUSP		EH6547	N/A	N/A		NO KIT	
	HOIST	AFE32-Y	TY5936	9.50/11.50/14.00	7.00/10.50/13.00	M	AK0720	1844.13
	HOIST		EJ6895	9.50/11.50/14.00	7.00/10.50/13.00	M	AK4892	1844.13
	HOIST			9.50/11.50/14.00	7.00/10.50/13.00	M	AK4757	2037.79
	REAR		EC5993	N/A	12.000	I	AK7161	638.99
	REAR		EH9423	N/A	12.000	I	AK3856	638.99
	STEERING	AFE32-EJ	TY9935	6.000	3.000	I	AK7283	125.80
	STEERING		EK1677	6.000	3.000	I	AK4370	311.38
	STEERING	AFE32-EJ	EC4587				AK3533	183.24
STEERING	AFE32-EJ	EC4587				AK4440	183.24	
STEERING		EK1677						
	STEERING			6.000	3.000	I	AK5654	430.20

All manufacturer's names, part numbers and descriptions are used for reference purposes only. We do not imply that any part shown is the product of these manufacturers.

INDUSTRIAL SEAL KITS

MOBILE SEAL KITS

KOMATSU (WABCO)

KOMATSU (WABCO)

OFF-HIGHWAY TRUCK

Model	Application	Serial Number	Cylinder Group	Bore	Rod	I	Ref. Number RKOM-	\$
						M		
930	FRONT						AK3857	
	HOIST			9.50/11.75/14.00	7.00/10.50/13.00	M	AK4325	2737.36
	HOIST			9.50/11.75/14.00	7.00/10.50/13.00	M	AK4569	2737.36
	HOIST		EJ5958/EH7927	9.50/11.75/14.00	7.00/10.50/13.00	M	AK4773	2737.36
	HOIST			9.50/11.75/14.00	7.00/10.50/13.00	M	AK3854	2443.09
	HOIST			9.50/11.75/14.00	7.00/10.50/13.00	M	AK4883	2443.09
	HOIST						AK4884	
	REAR				12.000	I	AK4324	763.00
	REAR	AFE50-AN	EH9424	N/A	12.000	I	AK4446	763.00
	REAR	AFE48-AC	EF8364	N/A	12.000	I	AK3856	638.99
	STEERING		EK1683/EH4426	6.500	3.250	I	AK4307	215.77
	STEERING		ED4611	6.500	3.000	I	AK4443	258.36
	STEERING		AH7931/EH4438	6.500	3.000	I	AK4444	284.62
930-1	FRONT		EG3807/EH6545	N/A	15.500	I	AK4442	1749.90
930-2	FRONT		EJ9945	N/A	15.750	I	AK4308	1742.67

INDUSTRIAL SEAL KITS

MOBILE SEAL KITS

KOMATSU (WABCO)

All manufacturer's names, part numbers and descriptions are used for reference purposes only. We do not imply that any part shown is the product of these manufacturers.

Remsa [KITS]

BACK UPS

KOMATSU (WABCO)

Ref.Number	Description	\$	Ref.Number	Description	\$
RKOM-PB1956	REPLACEMENT BACK UPS	7.74	RKOM-WA1279	REPLACEMENT BACK UPS	10.49
RKOM-WA1222	REPLACEMENT BACK UPS	2.48	RKOM-WA1282	REPLACEMENT BACK UPS	11.04
RKOM-WA1232	REPLACEMENT BACK UPS	0.70	RKOM-WA1346	REPLACEMENT BACK UPS	0.90
RKOM-WA1236	REPLACEMENT BACK UPS	0.86	RKOM-WA1429	REPLACEMENT BACK UPS	2.90
RKOM-WA1256	REPLACEMENT BACK UPS	1.56	RKOM-WA1433	REPLACEMENT BACK UPS	1.39
RKOM-WA1262	REPLACEMENT BACK UPS	1.41	RKOM-WA1436	REPLACEMENT BACK UPS	1.59
RKOM-WA1263	REPLACEMENT BACK UPS	12.77	RKOM-WA1443	REPLACEMENT BACK UPS	20.89
RKOM-WA1265	REPLACEMENT BACK UPS	4.56	RKOM-WA1454	REPLACEMENT BACK UPS	8.46
RKOM-WA1267	REPLACEMENT BACK UPS	2.43	RKOM-WA1456	REPLACEMENT BACK UPS	14.45
RKOM-WA1268	REPLACEMENT BACK UPS	1.67			

CAST IRON SEAL

KOMATSU (WABCO)

RKOM-VA3202	6.000 - CAST IRON RING	51.47	RKOM-WA4550	8.250 - CAST IRON RING	30.17
RKOM-VA3203	7.375 - CAST IRON RING	44.49	RKOM-VA5816	8.750 - CAST IRON RING	62.67

FLANGE COVERS

KOMATSU (WABCO)

RKOM-WA2701	REPLACEMENT FLANGE COVERS	O/R	RKOM-WA2704	REPLACEMENT FLANGE COVERS	O/R
RKOM-WA2702	REPLACEMENT FLANGE COVERS	O/R	RKOM-WA2705	REPLACEMENT FLANGE COVERS	O/R
RKOM-WA2703	REPLACEMENT FLANGE COVERS	O/R			

GUIDING ELEMENT

KOMATSU (WABCO)

RKOM-PB9678	2.750 - GUIDING ELEMENT	20.51	RKOM-PB7325	7.500 - GUIDING ELEMENT	10.79
RKOM-PB9518	3.250 - GUIDING ELEMENT	42.28	RKOM-PB6708	8.000 - GUIDING ELEMENT	51.30
RKOM-VZ3691	3.500 - GUIDING ELEMENT	8.66	RKOM-VA5803	8.375 - GUIDING ELEMENT	8.93
RKOM-VA3211	4.000 - GUIDING ELEMENT	13.37	RKOM-PB6551	8.750 - GUIDING ELEMENT	12.69
RKOM-PB6545	5.250 - GUIDING ELEMENT	6.00	RKOM-VA5804	8.750 - GUIDING ELEMENT	5.57
RKOM-VN5604	5.500 - GUIDING ELEMENT	100.50	RKOM-TN4597	9.000 - GUIDING ELEMENT	907.15
RKOM-VA3205	6.000 - GUIDING ELEMENT	9.36	RKOM-PB6555	9.500 - GUIDING ELEMENT	14.44
RKOM-VL7699	6.000 - GUIDING ELEMENT	23.87	RKOM-PB6557	10.750 - GUIDING ELEMENT	14.20
RKOM-PB7324	6.750 - GUIDING ELEMENT	7.45	RKOM-PB9806	10.750 - GUIDING ELEMENT	130.60
RKOM-VZ1988	6.500 - GUIDING ELEMENT	63.35	RKOM-VA3793	10.500 - GUIDING ELEMENT	24.14
RKOM-VA3213	7.000 - GUIDING ELEMENT	11.40	RKOM-PB6561	11.500 - GUIDING ELEMENT	28.63
RKOM-PB9802	7.250 - GUIDING ELEMENT	61.85	RKOM-PB9810	13.250 - GUIDING ELEMENT	113.93
RKOM-PB6549	7.375 - GUIDING ELEMENT	9.51	RKOM-PB6792	14.000 - GUIDING ELEMENT	24.47
RKOM-VA3206	7.375 - GUIDING ELEMENT	10.32			

All manufacturer's names, part numbers and descriptions are used for reference purposes only. We do not imply that any part shown is the product of these manufacturers.

INDUSTRIAL SEAL KITS

MOBILE SEAL KITS

KOMATSU (WABCO)

KOMATSU (WABCO)

REPLACEMENT PARTS

Ref.Number	Description	\$	Ref.Number	Description	\$
RKOM-BF1660	REPLACEMENT WABCO PARTS	273.45	RKOM-TY9141	REPLACEMENT WABCO PARTS	71.13
RKOM-C1602	REPLACEMENT WABCO PARTS	0.20	RKOM-VA3220	REPLACEMENT WABCO PARTS	1.05
RKOM-C1611	REPLACEMENT WABCO PARTS	0.44	RKOM-VA3796	REPLACEMENT WABCO PARTS	84.14
RKOM-EK7088	REPLACEMENT WABCO PARTS	44.72	RKOM-VD5076	REPLACEMENT WABCO PARTS	0.67
RKOM-EK7089	REPLACEMENT WABCO PARTS	41.55	RKOM-VF4319	REPLACEMENT WABCO PARTS	4.52
RKOM-H2981	REPLACEMENT WABCO PARTS	4.01	RKOM-VL7694	REPLACEMENT WABCO PARTS	13.73
RKOM-H8524	REPLACEMENT WABCO PARTS	0.11	RKOM-VM0313	REPLACEMENT WABCO PARTS	2.12
RKOM-PB2194	REPLACEMENT WABCO PARTS	69.52	RKOM-VM0314	REPLACEMENT WABCO PARTS	2.51
RKOM-PB3446	REPLACEMENT WABCO PARTS	27.92	RKOM-VM2202	REPLACEMENT WABCO PARTS	4.07
RKOM-PB6628	REPLACEMENT WABCO PARTS	78.85	RKOM-VM9839	REPLACEMENT WABCO PARTS	5.99
RKOM-PB6707	REPLACEMENT WABCO PARTS	61.36	RKOM-VN6410	REPLACEMENT WABCO PARTS	7.80
RKOM-PC1050	REPLACEMENT WABCO PARTS	60.14	RKOM-VN9088	REPLACEMENT WABCO PARTS	2.52
RKOM-PC1051	REPLACEMENT WABCO PARTS	78.26	RKOM-WA0362	REPLACEMENT WABCO PARTS	0.76
RKOM-PC1060	REPLACEMENT WABCO PARTS	85.25	RKOM-WA0363	REPLACEMENT WABCO PARTS	1.11
RKOM-TW3938	REPLACEMENT WABCO PARTS	102.03	RKOM-WA0720	REPLACEMENT WABCO PARTS	0.18
RKOM-TY1503	REPLACEMENT WABCO PARTS	33.40	RKOM-WA0879	REPLACEMENT WABCO PARTS	14.45
RKOM-TY8879	REPLACEMENT WABCO PARTS	38.97			

KOMATSU (WABCO)

ORING

RKOM-WA5668	REPLACEMENT ORING	6.83	RKOM-TL3995	REPLACEMENT ORING	0.11
RKOM-WO1454	REPLACEMENT ORING	8.46	RKOM-TL4357	REPLACEMENT ORING	2.43
RKOM-22418R1	REPLACEMENT ORING	14.58	RKOM-VL3208	REPLACEMENT ORING	5.65
RKOM-3042934R1	REPLACEMENT ORING	10.41	RKOM-WA0012	REPLACEMENT ORING	0.10
RKOM-EH7190	REPLACEMENT ORING	8.05	RKOM-WA0109	REPLACEMENT ORING	1.76
RKOM-EH7197	REPLACEMENT ORING	98.40	RKOM-WA0265	REPLACEMENT ORING	2.67
RKOM-SL8048	REPLACEMENT ORING	1.63	RKOM-WA0436	REPLACEMENT ORING	1.11
RKOM-SV2581	REPLACEMENT ORING	1.51	RKOM-WA0456	REPLACEMENT ORING	6.32
RKOM-SV4313	REPLACEMENT ORING	19.42	RKOM-WA1733	REPLACEMENT ORING	0.47
RKOM-TD4033	REPLACEMENT ORING	10.15	RKOM-WA3206	REPLACEMENT ORING	1.98
RKOM-TD8594	REPLACEMENT ORING	3.67			
RKOM-TF4098	REPLACEMENT ORING	0.74			
RKOM-TG1045	REPLACEMENT ORING	14.15			
RKOM-TH5604	REPLACEMENT ORING	0.08			

All manufacturer's names, part numbers and descriptions are used for reference purposes only. We do not imply that any part shown is the product of these manufacturers.

Remsa [KITS]

PISTON SEAL

KOMATSU (WABCO)

Ref.Number	Description	\$	Ref.Number	Description	\$
RKOM-WA2676	3.500 - PISTON SEAL	9.59	RKOM-PB8615	9.500 - PISTON SEAL	41.74
RKOM-PB8611	5.500 - PISTON SEAL	82.68	RKOM-PB8616	10.500 - PISTON SEAL	109.29
RKOM-PC0586	5.500 - PISTON SEAL	145.71	RKOM-PB8617	11.500 - PISTON SEAL	113.05
RKOM-PC0585	6.000 - PISTON SEAL	77.98	RKOM-PB7445	11.750 - PISTON SEAL	173.31
RKOM-VL7685	6.000 - PISTON SEAL	30.70	RKOM-PB8619	13.000 - PISTON SEAL	59.86
RKOM-PC0584	6.500 - PISTON SEAL	65.13	RKOM-PB8908	14.000 - PISTON SEAL	236.03
RKOM-VZ1987	6.500 - PISTON SEAL	11.52	RKOM-PB9661	17.750 - PISTON SEAL	795.09
RKOM-PB6550	7.375 - PISTON SEAL	99.44	RKOM-PB9662	18.500 - PISTON SEAL	534.85
RKOM-PB6709	8.000 - PISTON SEAL	68.38	RKOM-PB7425	22.250 - PISTON SEAL	423.11
RKOM-TJ1304	8.000 - PISTON SEAL	55.86	RKOM-PB7603	23.000 - PISTON SEAL	524.88
RKOM-VH7997	8.000 - PISTON SEAL	11.03	RKOM-PC1143	40.500 - PISTON SEAL	1511.41
RKOM-PB8614	8.375 - PISTON SEAL	98.08	RKOM-PC1144	41.250 - PISTON SEAL	1571.50
RKOM-PB6556	9.500 - PISTON SEAL	106.65			

ROD BUFFER

KOMATSU (WABCO)

RKOM-PB6436	3.750 - ROD BUFFER	31.29	RKOM-PB7976	12.000 - ROD BUFFER	85.63
RKOM-PB6546	5.000 - ROD BUFFER	13.03	RKOM-PB6795	13.000 - ROD BUFFER	77.29
RKOM-PB7321	6.500 - ROD BUFFER	26.98	RKOM-PB7977	13.000 - ROD BUFFER	210.04
RKOM-PB6799	7.000 - ROD BUFFER	44.26	RKOM-PB9912	13.000 - ROD BUFFER	124.04
RKOM-PB9910	7.000 - ROD BUFFER	98.24	RKOM-PC0629	13.000 - ROD BUFFER	257.78
RKOM-PB6552	8.500 - ROD BUFFER	21.00	RKOM-PB7978	14.000 - ROD BUFFER	264.10
RKOM-PC0768	10.000 - ROD BUFFER	204.23	RKOM-PB9958	15.500 - ROD BUFFER	507.51
RKOM-PB6558	10.500 - ROD BUFFER	23.88			
RKOM-PB9911	10.500 - ROD BUFFER	176.76			

All manufacturer's names, part numbers and descriptions are used for reference purposes only. We do not imply that any part shown is the product of these manufacturers.

INDUSTRIAL SEAL KITS

MOBILE SEAL KITS

KOMATSU (WABCO)

KOMATSU (WABCO)

ROD SEAL

Ref.Number	Description	\$	Ref.Number	Description	\$
RKOM-VZ3178	2.000 - ROD SEAL	12.98	RKOM-WA3381	6.750 - ROD SEAL	66.81
RKOM-PC0587	2.500 - ROD SEAL	20.68	RKOM-PB6800	7.000 - ROD SEAL	200.10
RKOM-VZ4432	2.500 - ROD SEAL	16.14	RKOM-PB6262	8.125 - ROD SEAL	47.13
RKOM-PB8239	3.000 - ROD SEAL	27.80	RKOM-VA3899	8.125 - ROD SEAL	47.13
RKOM-PB9517	3.000 - ROD SEAL	20.68	RKOM-WA3382	8.125 - ROD SEAL	47.13
RKOM-PC0557	3.000 - ROD SEAL	24.59	RKOM-PB6553	8.500 - ROD SEAL	203.97
RKOM-VZ4769	3.500 - ROD SEAL	33.91	RKOM-PC0767	10.000 - ROD SEAL	328.64
RKOM-PB6437	3.750 - ROD SEAL	45.32	RKOM-PB6559	10.500 - ROD SEAL	312.36
RKOM-PB6808	3.750 - ROD SEAL	13.73	RKOM-PB6796	13.000 - ROD SEAL	406.19
RKOM-VA3217	3.750 - ROD SEAL	13.73	RKOM-PB8565	13.000 - ROD SEAL	507.68
RKOM-WA3380	3.750 - ROD SEAL	13.73	RKOM-PB9790	13.000 - ROD SEAL	507.68
RKOM-PB6547	5.000 - ROD SEAL	74.59	RKOM-PC0628	13.000 - ROD SEAL	522.15
RKOM-PB6809	5.250 - ROD SEAL	21.48	RKOM-PB9581	14.000 - ROD SEAL	801.99
RKOM-PB7973	6.000 - ROD SEAL	32.02	RKOM-PB9788	15.500 - ROD SEAL	1054.15
RKOM-PB7323	6.500 - ROD SEAL	92.62			
RKOM-VZ4974	6.500 - ROD SEAL	50.09			
RKOM-PB6810	6.750 - ROD SEAL	66.81			

KOMATSU (WABCO)

ROD WIPER

RKOM-VZ3177	2.000 - ROD WIPER	7.01	RKOM-WA4671	8.125 - ROD WIPER	20.55
RKOM-PB1169	2.250 - ROD WIPER	63.93	RKOM-PB6554	8.500 - ROD WIPER	65.15
RKOM-PB9691	2.500 - ROD WIPER	14.01	RKOM-PC0766	10.000 - ROD WIPER	275.87
RKOM-VZ4044	2.500 - ROD WIPER	6.52	RKOM-PB6560	10.500 - ROD WIPER	103.52
RKOM-1101748C1	3.000 - ROD WIPER	18.43	RKOM-PB9803	10.500 - ROD WIPER	54.86
RKOM-PB8937	3.000 - ROD WIPER	69.68	RKOM-PC0654	12.000 - ROD WIPER	404.42
RKOM-VZ4108	3.500 - ROD WIPER	16.53	RKOM-PB9789	13.000 - ROD WIPER	533.15
RKOM-PB4763	3.750 - ROD WIPER	21.40	RKOM-PB9807	13.000 - ROD WIPER	266.22
RKOM-PB6438	3.750 - ROD WIPER	21.76	RKOM-PC0630	13.000 - ROD WIPER	533.15
RKOM-WA4799	3.750 - ROD WIPER	5.54	RKOM-PB9580	14.000 - ROD WIPER	402.98
RKOM-PB6548	5.000 - ROD WIPER	58.16	RKOM-PB9959	15.500 - ROD WIPER	639.86
RKOM-PB4764	5.250 - ROD WIPER	26.50			
RKOM-WA4800	5.250 - ROD WIPER	42.08			
RKOM-PB7320	6.500 - ROD WIPER	47.70			
RKOM-PB4765	6.750 - ROD WIPER	49.49			
RKOM-WA4801	6.750 - ROD WIPER	49.49			
RKOM-PB9799	7.000 - ROD WIPER	34.33			

All manufacturer's names, part numbers and descriptions are used for reference purposes only. We do not imply that any part shown is the product of these manufacturers.

Remsa [KITS]

KIT LISTING

KOMATSU

Ref. Number	Desc.	Bore	Rod	\$	Ref. Number	Desc.	Bore	Rod	\$
RKOM-101/63/02010K	SEAL KIT	70.00	35.00	30.15	RKOM-205/63/K1370K	SEAL KIT	160.00	110.00	273.23
RKOM-101/63/02030K	SEAL KIT	70.00	35.00	30.15	RKOM-206/63/K1240K	SEAL KIT	135.00	95.00	159.86
RKOM-101/63/02040K	SEAL KIT	80.00	40.00	33.67	RKOM-206/63/K1250K	SEAL KIT	135.00	95.00	159.86
RKOM-101/63/02130K	SEAL KIT	70.00	35.00	35.25	RKOM-206/63/K1610K	SEAL KIT	150.00	110.00	191.70
RKOM-101/63/02140K	SEAL KIT	70.00	35.00	35.25	RKOM-206/63/K1721K	SEAL KIT	140.00	100.00	152.10
RKOM-109508	SEAL KIT	110.00	65.00	318.55	RKOM-206/63/K1911K	SEAL KIT	140.00	100.00	233.91
RKOM-10G/63/02010K	SEAL KIT	50.00	35.00	57.78	RKOM-206/63/K1980K	SEAL KIT	140.00	100.00	151.43
RKOM-10G/63/02020K	SEAL KIT	50.00	35.00	57.78	RKOM-206/63/K2120K	SEAL KIT	135.00	95.00	157.21
RKOM-111506	SEAL KIT	160.00	90.00	363.64	RKOM-206/63/K2150K	SEAL KIT	185.00	120.00	334.45
RKOM-111507	SEAL KIT	160.00	90.00	424.14	RKOM-207/63/K1230K	SEAL KIT	140.00	100.00	146.26
RKOM-111519	SEAL KIT	225.00	90.00	535.58	RKOM-209/63/07010K	SEAL KIT	130.00	85.00	79.87
RKOM-111521	SEAL KIT	250.00	90.00	548.72	RKOM-20E/63/03240K	SEAL KIT	105.00	70.00	113.12
RKOM-111522	SEAL KIT	250.00	90.00	508.19	RKOM-20E/63/K2500K	SEAL KIT	140.00	70.00	90.29
RKOM-114/63/05030	SEAL KIT	90.00	40.00	83.08	RKOM-20G/63/03240K	SEAL KIT	120.00	85.00	116.26
RKOM-115516	SEAL KIT	140.00	75.00	312.78	RKOM-20G/63/K1110K	SEAL KIT	160.00	100.00	274.93
RKOM-115517	SEAL KIT	140.00	75.00	332.21	RKOM-20G/63/K1410K	SEAL KIT	120.00	85.00	110.92
RKOM-12F/63/05020	SEAL KIT	70.00	45.00	77.28	RKOM-20U/63/02050K	SEAL KIT	100.00	60.00	52.51
RKOM-12F/63/05060	SEAL KIT	100.00	45.00	128.67	RKOM-20U/63/02051K	SEAL KIT	100.00	60.00	52.51
RKOM-130/63/05020	SEAL KIT	90.00	55.00	107.27	RKOM-21D/61/13160	SEAL KIT	90.00	60.00	155.01
RKOM-131/63/05020	SEAL KIT	130.00	65.00	178.99	RKOM-21D/61/14140	SEAL KIT	100.00	60.00	204.64
RKOM-131/63/05040	SEAL KIT	140.00	65.00	174.54	RKOM-21P/63/03120K	SEAL KIT	120.00	85.00	116.90
RKOM-135/63/05020	SEAL KIT	140.00	65.00	231.98	RKOM-21P/63/03130K	SEAL KIT	105.00	70.00	112.33
RKOM-135/63/05030	SEAL KIT	140.00	65.00	197.44	RKOM-21P/63/03200K	SEAL KIT	110.00	75.00	76.17
RKOM-135/63/05050	SEAL KIT	150.00	70.00	217.22	RKOM-21P/63/K1611K	SEAL KIT	110.00	75.00	73.00
RKOM-135/63/05060	SEAL KIT	150	70.00	324.63	RKOM-21P/63/K1711K	SEAL KIT	120.00	85.00	160.71
RKOM-141/63/05010	SEAL KIT	140.00	60.00	168.46	RKOM-21P/63/K1821K	SEAL KIT	110.00	75.00	101.32
RKOM-141/63/05050	SEAL KIT	160.00	75.00	191.14	RKOM-21P/63/K3600K	SEAL KIT	105.00	70.00	136.79
RKOM-144/60/00050K	SEAL KIT	110.00	65.00	135.47	RKOM-21S/63/02050K	SEAL KIT	50.00	25.00	60.64
RKOM-144/63/05020	SEAL KIT	110.00	65.00	124.06	RKOM-21W/63/02220K	SEAL KIT	100.00	60.00	54.36
RKOM-144/63/05050	SEAL KIT	110.00	65.00	159.46	RKOM-21W/63/02221K	SEAL KIT	100.00	60.00	54.36
RKOM-144/63/05080	SEAL KIT	160.00	70.00	146.65	RKOM-2938/6C/1290	SEAL KIT	90.00	50.00	76.20
RKOM-144/63/12200K	SEAL KIT	110.00	65.00	196.54	RKOM-2938/6C/1480	SEAL KIT	70.00	45.00	62.88
RKOM-144/63/52100K	SEAL KIT	160.00	70.00	275.96	RKOM-418/62/05000	SEAL KIT	130.00	70.00	65.85
RKOM-175/63/05140	SEAL KIT	225.00	90.00	291.15	RKOM-418/63/05000	SEAL KIT	150.00	75.00	116.18
RKOM-1909018	SEAL KIT	60 mm	N/A	39.70	RKOM-419/63/H0P12	SEAL KIT	70.00	40.00	118.13
RKOM-1909019	SEAL KIT	70 mm	N/A	20.65	RKOM-421/63/H0P05	SEAL KIT	200.00	100.00	412.42
RKOM-1909020	SEAL KIT	70 mm	N/A	23.67	RKOM-423/63/H2P07	SEAL KIT	160.00	90.00	97.10
RKOM-1909021	SEAL KIT	70 mm	N/A	21.73	RKOM-423/63/H3P07	SEAL KIT	180.00	90.00	130.35
RKOM-1909022	SEAL KIT	90 mm	N/A	28.25	RKOM-42N/6C/13330	SEAL KIT	70.00	40.00	43.07
RKOM-1909023	SEAL KIT	100 mm	N/A	22.95	RKOM-42N/6C/13340	SEAL KIT	70.00	40.00	58.77
RKOM-1909025	SEAL KIT	100 mm	N/A	28.37	RKOM-42N/879/1980	SEAL KIT	30.00	18.00	35.57
RKOM-1909041	SEAL KIT	N/A	40.00	5.67	RKOM-42T/63/H0P01	SEAL KIT	80.00	45.00	138.01
RKOM-1909043	SEAL KIT	40 mm	N/A	38.46	RKOM-42T/63/H0P18	SEAL KIT	95.00	50.00	102.49
RKOM-195/63/05120	SEAL KIT	160.00	90.00	227.83	RKOM-42T/63/H0P52	SEAL KIT	70.00	35.00	86.98
RKOM-195/63/05130	SEAL KIT	160.00	90.00	193.12	RKOM-42T/63/H0P61	SEAL KIT	95.00	50.00	111.68
RKOM-205/63/02140K	SEAL KIT	125.00	85.00	154.86	RKOM-42T/63/H0P70	SEAL KIT	85.00	50.00	97.24
RKOM-205/63/K1360K	SEAL KIT	120.00	85.00	170.70	RKOM-42U/63/H0P12	SEAL KIT	70.00	35.00	48.05
RKOM-205/63/K1361K	SEAL KIT	120.00	85.00	170.70	RKOM-42U/63/H0P43	SEAL KIT	85.00	50.00	149.82

All manufacturer's names, part numbers and descriptions are used for reference purposes only. We do not imply that any part shown is the product of these manufacturers.

INDUSTRIAL SEAL KITS

MOBILE SEAL KITS

KOMATSU

KOMATSU

KIT LISTING

INDUSTRIAL
SEAL KITS

MOBILE
SEAL KITS

KOMATSU

Ref. Number	Desc.	Bore	Rod	\$	Ref. Number	Desc.	Bore	Rod	\$
RKOM-42U/63/H0P56	SEAL KIT	95.00	50.00	76.85	RKOM-707/98/12550	SEAL KIT	70.00	35.00	66.44
RKOM-42U/63/H0P67	SEAL KIT	70.00	35.00	43.71	RKOM-707/98/12600	SEAL KIT	70.00	35.00	66.53
RKOM-586293	SEAL KIT	4.250	2.500	470.65	RKOM-707/98/12660	SEAL KIT	70.00	35.00	54.10
RKOM-587294	SEAL KIT	7.00/8.75/10.50	6.25/8.12/9.75	53.13	RKOM-707/98/12670	SEAL KIT	70.00	35.00	53.86
RKOM-589306A	SEAL KIT	6, 7-3/8, 8-3/4	3-3/4, 6-3/4, 8-1/8	68.00	RKOM-707/98/12700	SEAL KIT	70.00	35.00	81.26
RKOM-589306B	SEAL KIT	6, 7-3/8, 8-3/4	3-3/4, 6-3/4, 8-1/8	95.98	RKOM-707/98/12740	SEAL KIT	70.00	35.00	35.93
RKOM-595307A	SEAL KIT	N/A	9.000	126.16	RKOM-707/98/12750	SEAL KIT	70.00	35.00	30.14
RKOM-596308	SEAL KIT	N/A	7.000	721.40	RKOM-707/98/12760	SEAL KIT	70.00	35.00	35.11
RKOM-597308	SEAL KIT	N/A	7.000	643.20	RKOM-707/98/13220	SEAL KIT	60.00	35.00	39.40
RKOM-598308	SEAL KIT	N/A	6.500	385.18	RKOM-707/98/13420	SEAL KIT	70.00	35.00	29.38
RKOM-599307	SEAL KIT	N/A	9.000	387.57	RKOM-707/98/13990	SEAL KIT	55.00	35.00	74.11
RKOM-707/00/02460K	SEAL KIT	35.00	20.00	40.13	RKOM-707/98/14030	SEAL KIT	60.00	40.00	79.59
RKOM-707/01/02670K	SEAL KIT	200.00	130.00	253.80	RKOM-707/98/14040	SEAL KIT	60.00	40.00	93.39
RKOM-707/98/03530	SEAL KIT	50.00	25.00	70.22	RKOM-707/98/14200	SEAL KIT	60.00	40.00	125.41
RKOM-707/98/04500	SEAL KIT	50.00	30.00	79.96	RKOM-707/98/14240	SEAL KIT	60.00	40.00	79.59
RKOM-707/98/04600	SEAL KIT	50.00	30.00	66.17	RKOM-707/98/14410	SEAL KIT	70.00	40.00	99.98
RKOM-707/98/04640	SEAL KIT	50.00	30.00	67.83	RKOM-707/98/14430	SEAL KIT	70.00	40.00	77.81
RKOM-707/98/05410	SEAL KIT	50.00	35.00	73.59	RKOM-707/98/14600	SEAL KIT	70.00	40.00	77.75
RKOM-707/98/05420	SEAL KIT	50.00	35.00	66.04	RKOM-707/98/14610	SEAL KIT	70.00	40.00	53.86
RKOM-707/98/05460	SEAL KIT	50.00	35.00	57.06	RKOM-707/98/14700	SEAL KIT	70.00	40.00	77.75
RKOM-707/98/06010	SEAL KIT	N/A	40.00	34.93	RKOM-707/98/14710	SEAL KIT	70.00	40.00	91.76
RKOM-707/98/11020	SEAL KIT	60.00	30.00	49.33	RKOM-707/98/14770	SEAL KIT	70.00	40.00	36.91
RKOM-707/98/11070	SEAL KIT	60.00	30.00	70.76	RKOM-707/98/14830	SEAL KIT	65.00	40.00	38.40
RKOM-707/98/11090	SEAL KIT	60.00	30.00	86.80	RKOM-707/98/14910	SEAL KIT	65.00	40.00	38.43
RKOM-707/98/11310	SEAL KIT	60.00	30.00	37.50	RKOM-707/98/14930	SEAL KIT	65.00	40.00	79.79
RKOM-707/98/11350	SEAL KIT	60.00	30.00	49.95	RKOM-707/98/15410	SEAL KIT	70.00	45.00	76.65
RKOM-707/98/11380	SEAL KIT	60.00	25.00	95.81	RKOM-707/98/15610	SEAL KIT	70.00	45.00	71.82
RKOM-707/98/12020	SEAL KIT	60.00	35.00	86.90	RKOM-707/98/15650	SEAL KIT	70.00	45.00	77.43
RKOM-707/98/12080	SEAL KIT	60.00	35.00	81.24	RKOM-707/98/15690	SEAL KIT	70.00	45.00	39.60
RKOM-707/98/12100	SEAL KIT	60.00	35.00	68.20	RKOM-707/98/15700	SEAL KIT	70.00	45.00	81.34
RKOM-707/98/12110	SEAL KIT	60.00	35.00	69.62	RKOM-707/98/15720	SEAL KIT	70.00	45.00	114.05
RKOM-707/98/12120	SEAL KIT	60.00	35.00	70.21	RKOM-707/98/15740	SEAL KIT	70.00	45.00	39.71
RKOM-707/98/12130	SEAL KIT	60.00	35.00	80.06	RKOM-707/98/15760	SEAL KIT	70.00	45.00	43.24
RKOM-707/98/12150	SEAL KIT	60.00	35.00	81.01	RKOM-707/98/15770	SEAL KIT	70.00	45.00	43.24
RKOM-707/98/12160	SEAL KIT	60.00	35.00	85.40	RKOM-707/98/22010	SEAL KIT	80.00	40.00	176.61
RKOM-707/98/12200	SEAL KIT	60.00	35.00	68.20	RKOM-707/98/22030	SEAL KIT	80.00	40.00	108.46
RKOM-707/98/12211	SEAL KIT	65.00	35.00	115.38	RKOM-707/98/22040	SEAL KIT	80.00	40.00	99.97
RKOM-707/98/12310	SEAL KIT	63.00	35.00	52.70	RKOM-707/98/22060	SEAL KIT	80.00	40.00	83.11
RKOM-707/98/12320	SEAL KIT	60.00	35.00	36.22	RKOM-707/98/22080	SEAL KIT	80.00	40.00	102.96
RKOM-707/98/12330	SEAL KIT	60.00	35.00	52.70	RKOM-707/98/22100	SEAL KIT	80.00	40.00	101.82
RKOM-707/98/12410	SEAL KIT	70.00	35.00	53.86	RKOM-707/98/22110	SEAL KIT	80.00	40.00	95.04
RKOM-707/98/12440	SEAL KIT	70.00	35.00	66.29	RKOM-707/98/22120	SEAL KIT	80.00	40.00	99.97
RKOM-707/98/12450	SEAL KIT	70.00	35.00	86.47	RKOM-707/98/22140	SEAL KIT	80.00	40.00	40.19
RKOM-707/98/12470	SEAL KIT	70.00	35.00	70.99	RKOM-707/98/22180	SEAL KIT	80.00	40.00	49.55
RKOM-707/98/12490	SEAL KIT	70.00	35.00	88.64	RKOM-707/98/22200	SEAL KIT	75.00	40.00	113.46
RKOM-707/98/12510	SEAL KIT	70.00	35.00	97.10	RKOM-707/98/22290	SEAL KIT	80.00	40.00	39.25
RKOM-707/98/12520	SEAL KIT	70.00	35.00	86.00	RKOM-707/98/22410	SEAL KIT	90.00	40.00	87.07
RKOM-707/98/12530	SEAL KIT	70.00	35.00	85.40	RKOM-707/98/22420	SEAL KIT	90.00	40.00	87.07

All manufacturer's names, part numbers and descriptions are used for reference purposes only. We do not imply that any part shown is the product of these manufacturers.

Remsa [KITS]

KIT LISTING

KOMATSU

Ref. Number	Desc.	Bore	Rod	\$	Ref. Number	Desc.	Bore	Rod	\$
RKOM-707/98/22430	SEAL KIT	90.00	40.00	89.52	RKOM-707/98/25430	SEAL KIT	90.00	50.00	119.92
RKOM-707/98/22500	SEAL KIT	90.00	40.00	88.97	RKOM-707/98/25500	SEAL KIT	90.00	50.00	129.73
RKOM-707/98/22850	SEAL KIT	75.00	40.00	35.54	RKOM-707/98/25510	SEAL KIT	90.00	50.00	143.87
RKOM-707/98/22890	SEAL KIT	75.00	40.00	49.95	RKOM-707/98/25520	SEAL KIT	90.00	50.00	173.84
RKOM-707/98/22910	SEAL KIT	85.00	40.00	61.89	RKOM-707/98/25560	SEAL KIT	90.00	50.00	65.97
RKOM-707/98/23030	SEAL KIT	80.00	40.00	60.71	RKOM-707/98/25570	SEAL KIT	90.00	50.00	204.19
RKOM-707/98/23070	SEAL KIT	80.00	40.00	39.25	RKOM-707/98/25600	SEAL KIT	90.00	50.00	108.34
RKOM-707/98/23130	SEAL KIT	80.00	40.00	81.44	RKOM-707/98/25610	SEAL KIT	95.00	50.00	108.00
RKOM-707/98/23810	SEAL KIT	75.00	45.00	44.73	RKOM-707/98/25620	SEAL KIT	90.00	50.00	68.84
RKOM-707/98/23860	SEAL KIT	75.00	45.00	42.91	RKOM-707/98/25700	SEAL KIT	90.00	50.00	66.04
RKOM-707/98/23870	SEAL KIT	75.00	45.00	44.78	RKOM-707/98/25710	SEAL KIT	90.00	50.00	62.41
RKOM-707/98/23890	SEAL KIT	75.00	45.00	50.39	RKOM-707/98/25750	SEAL KIT	90.00	50.00	66.05
RKOM-707/98/24040	SEAL KIT	80.00	45.00	101.46	RKOM-707/98/25760	SEAL KIT	90.00	50.00	71.94
RKOM-707/98/24050	SEAL KIT	80.00	45.00	95.97	RKOM-707/98/25820	SEAL KIT	85.00	50.00	84.32
RKOM-707/98/24060	SEAL KIT	80.00	45.00	96.97	RKOM-707/98/25830	SEAL KIT	85.00	50.00	84.23
RKOM-707/98/24150	SEAL KIT	80.00	45.00	97.40	RKOM-707/98/25870	SEAL KIT	85.00	50.00	135.20
RKOM-707/98/24210	SEAL KIT	75.00	45.00	160.33	RKOM-707/98/25910	SEAL KIT	75.00	50.00	64.73
RKOM-707/98/24281	SEAL KIT	80.00	45.00	54.43	RKOM-707/98/25970	SEAL KIT	75.00	50.00	64.84
RKOM-707/98/24330	SEAL KIT	80.00	45.00	58.03	RKOM-707/98/25980	SEAL KIT	75.00	50.00	68.37
RKOM-707/98/24430	SEAL KIT	90.00	45.00	123.19	RKOM-707/98/26100	SEAL KIT	80.00	55.00	80.20
RKOM-707/98/24500	SEAL KIT	90.00	45.00	91.59	RKOM-707/98/26110	SEAL KIT	80.00	55.00	87.23
RKOM-707/98/24510	SEAL KIT	85.00	45.00	102.43	RKOM-707/98/26120	SEAL KIT	80.00	55.00	88.41
RKOM-707/98/24520	SEAL KIT	90.00	45.00	91.73	RKOM-707/98/26300	SEAL KIT	80.00	55.00	72.04
RKOM-707/98/24530	SEAL KIT	90.00	45.00	133.46	RKOM-707/98/26441	SEAL KIT	90.00	55.00	97.44
RKOM-707/98/24550	SEAL KIT	90.00	45.00	59.01	RKOM-707/98/26450	SEAL KIT	90.00	55.00	157.21
RKOM-707/98/24600	SEAL KIT	90.00	45.00	135.83	RKOM-707/98/26520	SEAL KIT	90.00	55.00	80.83
RKOM-707/98/24610	SEAL KIT	95.00	45.00	47.53	RKOM-707/98/26540	SEAL KIT	90.00	55.00	77.14
RKOM-707/98/24700	SEAL KIT	90.00	45.00	41.07	RKOM-707/98/26550	SEAL KIT	90.00	55.00	77.66
RKOM-707/98/24710	SEAL KIT	90.00	45.00	33.38	RKOM-707/98/26560	SEAL KIT	90.00	50.00	134.82
RKOM-707/98/24720	SEAL KIT	90.00	45.00	34.73	RKOM-707/98/26570	SEAL KIT	90.00	55.00	76.85
RKOM-707/98/24770	SEAL KIT	95.00	45.00	47.58	RKOM-707/98/26580	SEAL KIT	90.00	55.00	139.74
RKOM-707/98/24820	SEAL KIT	75.00	45.00	43.38	RKOM-707/98/26600	SEAL KIT	90.00	50.00	120.89
RKOM-707/98/24830	SEAL KIT	75.00	45.00	39.47	RKOM-707/98/26620	SEAL KIT	90.00	55.00	68.28
RKOM-707/98/24890	SEAL KIT	75.00	45.00	141.62	RKOM-707/98/26720	SEAL KIT	90.00	55.00	69.06
RKOM-707/98/24910	SEAL KIT	85.00	45.00	56.06	RKOM-707/98/26900	SEAL KIT	85.00	55.00	214.76
RKOM-707/98/24920	SEAL KIT	85.00	45.00	103.68	RKOM-707/98/27100	SEAL KIT	80.00	60.00	112.36
RKOM-707/98/24930	SEAL KIT	85.00	45.00	62.91	RKOM-707/98/27500	SEAL KIT	90.00	60.00	139.66
RKOM-707/98/25030	SEAL KIT	80.00	50.00	106.24	RKOM-707/98/27600	SEAL KIT	90.00	60.00	193.87
RKOM-707/98/25040	SEAL KIT	80.00	50.00	142.96	RKOM-707/98/27620	SEAL KIT	90.00	60.00	133.01
RKOM-707/98/25050	SEAL KIT	80.00	50.00	100.53	RKOM-707/98/28600	SEAL KIT	95.00	65.00	166.91
RKOM-707/98/25060	SEAL KIT	80.00	50.00	141.25	RKOM-707/98/28640	SEAL KIT	95.00	65.00	101.21
RKOM-707/98/25070	SEAL KIT	80.00	50.00	108.23	RKOM-707/98/29500	SEAL KIT	90.00	50.00	102.36
RKOM-707/98/25090	SEAL KIT	80.00	50.00	65.17	RKOM-707/98/29510	SEAL KIT	90.00	50.00	71.94
RKOM-707/98/25110	SEAL KIT	80.00	50.00	143.21	RKOM-707/98/29620	SEAL KIT	95.00	50.00	68.97
RKOM-707/98/25170	SEAL KIT	80.00	50.00	145.64	RKOM-707/98/29630	SEAL KIT	95.00	50.00	78.48
RKOM-707/98/25250	SEAL KIT	80.00	50.00	72.03	RKOM-707/98/29640	SEAL KIT	95.00	50.00	78.48
RKOM-707/98/25300	SEAL KIT	80.00	50.00	218.63	RKOM-707/98/29650	SEAL KIT	95.00	50.00	86.25
RKOM-707/98/25350	SEAL KIT	80.00	50.00	72.11	RKOM-707/98/29661	SEAL KIT	95.00	50.00	68.89

All manufacturer's names, part numbers and descriptions are used for reference purposes only. We do not imply that any part shown is the product of these manufacturers.

INDUSTRIAL SEAL KITS

MOBILE SEAL KITS

KOMATSU

KOMATSU

KIT LISTING

INDUSTRIAL
SEAL KITS

MOBILE
SEAL KITS

KOMATSU

Ref. Number	Desc.	Bore	Rod	\$	Ref. Number	Desc.	Bore	Rod	\$
RKOM-707/98/32050	SEAL KIT	100.00	50.00	116.83	RKOM-707/98/36630	SEAL KIT	110.00	65.00	59.56
RKOM-707/98/32120	SEAL KIT	100.00	50.00	141.30	RKOM-707/98/36700	SEAL KIT	115.00	65.00	74.30
RKOM-707/98/32300	SEAL KIT	100.00	50.00	258.39	RKOM-707/98/37110	SEAL KIT	100.00	70.00	172.52
RKOM-707/98/32550	SEAL KIT	110.00	50.00	70.69	RKOM-707/98/37130	SEAL KIT	100.00	70.00	141.40
RKOM-707/98/32570	SEAL KIT	110.00	50.00	70.69	RKOM-707/98/37500	SEAL KIT	110.00	70.00	147.70
RKOM-707/98/32810	SEAL KIT	105.00	50.00	214.42	RKOM-707/98/37510	SEAL KIT	110.00	70.00	89.05
RKOM-707/98/32820	SEAL KIT	105.00	50.00	210.23	RKOM-707/98/37570	SEAL KIT	110.00	70.00	137.91
RKOM-707/98/32900	SEAL KIT	105.00	50.00	76.56	RKOM-707/98/37580	SEAL KIT	110.00	70.00	55.48
RKOM-707/98/33010	SEAL KIT	100.00	50.00	45.73	RKOM-707/98/37600	SEAL KIT	110.00	70.00	66.61
RKOM-707/98/33500	SEAL KIT	115.00	50.00	70.02	RKOM-707/98/37610	SEAL KIT	110.00	70.00	108.62
RKOM-707/98/34120	SEAL KIT	100.00	55.00	93.66	RKOM-707/98/37620	SEAL KIT	105.00	70.00	145.67
RKOM-707/98/34140	SEAL KIT	95.00	55.00	73.86	RKOM-707/98/37670	SEAL KIT	105.00	70.00	112.27
RKOM-707/98/34160	SEAL KIT	100.00	55.00	66.32	RKOM-707/98/38500	SEAL KIT	110.00	75.00	143.25
RKOM-707/98/34180	SEAL KIT	110.00	55.00	64.97	RKOM-707/98/38510	SEAL KIT	110.00	75.00	150.88
RKOM-707/98/34410	SEAL KIT	110.00	55.00	133.50	RKOM-707/98/38520	SEAL KIT	110.00	75.00	268.11
RKOM-707/98/34460	SEAL KIT	110.00	55.00	64.41	RKOM-707/98/38551	SEAL KIT	110.00	75.00	240.44
RKOM-707/98/34520	SEAL KIT	110.00	55.00	72.70	RKOM-707/98/38600	SEAL KIT	110.00	75.00	159.71
RKOM-707/98/34560	SEAL KIT	110.00	55.00	70.78	RKOM-707/98/39610	SEAL KIT	115.00	80.00	156.07
RKOM-707/98/34580	SEAL KIT	110.00	55.00	129.00	RKOM-707/98/40020	SEAL KIT	120.00	55.00	192.77
RKOM-707/98/34590	SEAL KIT	110.00	55.00	230.29	RKOM-707/98/41020	SEAL KIT	120.00	60.00	76.61
RKOM-707/98/34640	SEAL KIT	110.00	55.00	77.97	RKOM-707/98/41030	SEAL KIT	120.00	60.00	176.59
RKOM-707/98/34670	SEAL KIT	115.00	55.00	78.93	RKOM-707/98/41110	SEAL KIT	120.00	65.00	188.26
RKOM-707/98/35100	SEAL KIT	100.00	60.00	91.40	RKOM-707/98/41120	SEAL KIT	120.00	65.00	154.23
RKOM-707/98/35110	SEAL KIT	100.00	60.00	113.64	RKOM-707/98/41130	SEAL KIT	120.00	65.00	191.77
RKOM-707/98/35130	SEAL KIT	100.00	60.00	158.38	RKOM-707/98/41140	SEAL KIT	120.00	60.00	191.94
RKOM-707/98/35181	SEAL KIT	100.00	60.00	191.78	RKOM-707/98/41170	SEAL KIT	120.00	60.00	69.04
RKOM-707/98/35280	SEAL KIT	100.00	60.00	549.26	RKOM-707/98/41330	SEAL KIT	120.00	60.00	69.11
RKOM-707/98/35310	SEAL KIT	100.00	60.00	57.01	RKOM-707/98/42100	SEAL KIT	120.00	65.00	143.79
RKOM-707/98/35510	SEAL KIT	110.00	60.00	153.51	RKOM-707/98/42150	SEAL KIT	120.00	65.00	61.01
RKOM-707/98/35520	SEAL KIT	110.00	60.00	55.69	RKOM-707/98/42410	SEAL KIT	130.00	65.00	215.82
RKOM-707/98/36100	SEAL KIT	100.00	65.00	135.59	RKOM-707/98/42420	SEAL KIT	130.00	65.00	83.25
RKOM-707/98/36110	SEAL KIT	100.00	65.00	101.46	RKOM-707/98/42540	SEAL KIT	130.00	65.00	84.59
RKOM-707/98/36140	SEAL KIT	100.00	65.00	84.15	RKOM-707/98/42700	SEAL KIT	130.00	65.00	75.74
RKOM-707/98/36180	SEAL KIT	100.00	65.00	131.86	RKOM-707/98/43100	SEAL KIT	120.00	70.00	200.38
RKOM-707/98/36200	SEAL KIT	95.00	65.00	240.96	RKOM-707/98/43130	SEAL KIT	120.00	70.00	132.23
RKOM-707/98/36210	SEAL KIT	95.00	65.00	206.35	RKOM-707/98/43200	SEAL KIT	120.00	70.00	77.52
RKOM-707/98/36230	SEAL KIT	100.00	65.00	110.77	RKOM-707/98/43210	SEAL KIT	120.00	70.00	69.20
RKOM-707/98/36240	SEAL KIT	95.00	65.00	132.62	RKOM-707/98/43510	SEAL KIT	130.00	70.00	228.37
RKOM-707/98/36270	SEAL KIT	120.00	85.00	152.60	RKOM-707/98/43530	SEAL KIT	130.00	70.00	187.59
RKOM-707/98/36280	SEAL KIT	100.00	65.00	57.32	RKOM-707/98/43620	SEAL KIT	130.00	70.00	176.95
RKOM-707/98/36411	SEAL KIT	110.00	65.00	111.49	RKOM-707/98/44120	SEAL KIT	120.00	75.00	203.00
RKOM-707/98/36450	SEAL KIT	110.00	65.00	152.60	RKOM-707/98/44200	SEAL KIT	120.00	75.00	313.01
RKOM-707/98/36500	SEAL KIT	110.00	65.00	126.61	RKOM-707/98/44310	SEAL KIT	115.00	75.00	98.17
RKOM-707/98/36510	SEAL KIT	110.00	65.00	145.64	RKOM-707/98/45100	SEAL KIT	120.00	80.00	68.15
RKOM-707/98/36520	SEAL KIT	110.00	65.00	107.83	RKOM-707/98/45200	SEAL KIT	120.00	80.00	209.68
RKOM-707/98/36560	SEAL KIT	110.00	65.00	126.54	RKOM-707/98/45220	SEAL KIT	115.00	80.00	268.43
RKOM-707/98/36590	SEAL KIT	115.00	65.00	73.65	RKOM-707/98/45240	SEAL KIT	115.00	80.00	117.86
RKOM-707/98/36600	SEAL KIT	110.00	65.00	65.33	RKOM-707/98/45250	SEAL KIT	100.00	80.00	205.99

All manufacturer's names, part numbers and descriptions are used for reference purposes only. We do not imply that any part shown is the product of these manufacturers.

Remsa [KITS]

KIT LISTING

KOMATSU

INDUSTRIAL SEAL KITS

MOBILE SEAL KITS

KOMATSU

Ref. Number	Desc.	Bore	Rod	\$	Ref. Number	Desc.	Bore	Rod	\$
RKOM-707/98/45610	SEAL KIT	130.00	80.00	201.17	RKOM-707/98/58240	SEAL KIT	140.00	100.00	162.88
RKOM-707/98/45620	SEAL KIT	130.00	80.00	233.00	RKOM-707/98/60100	SEAL KIT	160.00	70.00	284.94
RKOM-707/98/45700	SEAL KIT	130.00	80.00	238.49	RKOM-707/98/60110	SEAL KIT	160.00	70.00	146.50
RKOM-707/98/46100	SEAL KIT	120.00	85.00	177.21	RKOM-707/98/60120	SEAL KIT	160.00	70.00	148.01
RKOM-707/98/46200	SEAL KIT	120.00	85.00	218.75	RKOM-707/98/60121	SEAL KIT	160.00	70.00	146.59
RKOM-707/98/46220	SEAL KIT	120.00	85.00	90.84	RKOM-707/98/61100	SEAL KIT	160.00	75.00	188.52
RKOM-707/98/46270	SEAL KIT	120.00	85.00	324.44	RKOM-707/98/61110	SEAL KIT	160.00	75.00	227.26
RKOM-707/98/46280	SEAL KIT	120.00	85.00	134.92	RKOM-707/98/62100	SEAL KIT	160.00	80.00	140.99
RKOM-707/98/46300	SEAL KIT	120.00	85.00	106.96	RKOM-707/98/62120	SEAL KIT	160.00	80.00	169.34
RKOM-707/98/46600	SEAL KIT	130.00	85.00	206.89	RKOM-707/98/62131	SEAL KIT	160.00	80.00	396.75
RKOM-707/98/47500	SEAL KIT	130.00	90.00	208.66	RKOM-707/98/64400	SEAL KIT	180.00	90.00	96.47
RKOM-707/98/47510	SEAL KIT	130.00	90.00	241.27	RKOM-707/98/64410	SEAL KIT	180.00	90.00	171.34
RKOM-707/98/47600	SEAL KIT	130.00	90.00	250.11	RKOM-707/98/64420	SEAL KIT	180.00	90.00	173.30
RKOM-707/98/47620	SEAL KIT	130.00	90.00	296.03	RKOM-707/98/64450	SEAL KIT	180.00	90.00	165.28
RKOM-707/98/47670	SEAL KIT	130.00	90.00	270.86	RKOM-707/98/66410	SEAL KIT	180.00	100.00	330.09
RKOM-707/98/47680	SEAL KIT	130.00	90.00	170.46	RKOM-707/98/67100	SEAL KIT	160.00	110.00	196.76
RKOM-707/98/47720	SEAL KIT	130.00	90.00	251.84	RKOM-707/98/67110	SEAL KIT	160.00	110.00	240.80
RKOM-707/98/47730	SEAL KIT	130.00	90.00	173.75	RKOM-707/98/67120	SEAL KIT	160.00	110.00	528.76
RKOM-707/98/47740	SEAL KIT	130.00	90.00	140.51	RKOM-707/98/67510	SEAL KIT	180.00	110.00	454.34
RKOM-707/98/48500	SEAL KIT	130.00	95.00	244.14	RKOM-707/98/68400	SEAL KIT	180.00	120.00	247.09
RKOM-707/98/48510	SEAL KIT	130.00	95.00	257.67	RKOM-707/98/68500	SEAL KIT	180.00	120.00	234.85
RKOM-707/98/48600	SEAL KIT	130.00	95.00	253.94	RKOM-707/98/68510	SEAL KIT	180.00	120.00	273.92
RKOM-707/98/48610	SEAL KIT	130.00	95.00	206.31	RKOM-707/98/71020	SEAL KIT	200.00	90.00	290.45
RKOM-707/98/50100	SEAL KIT	140.00	60.00	168.46	RKOM-707/98/71100	SEAL KIT	200.00	90.00	212.95
RKOM-707/98/51100	SEAL KIT	140.00	65.00	189.16	RKOM-707/98/73010	SEAL KIT	200.00	100.00	251.81
RKOM-707/98/51110	SEAL KIT	140.00	65.00	182.32	RKOM-707/98/73020	SEAL KIT	200.00	100.00	230.58
RKOM-707/98/52100	SEAL KIT	140.00	70.00	230.06	RKOM-707/98/73400	SEAL KIT	225.00	100.00	255.88
RKOM-707/98/52110	SEAL KIT	140.00	70.00	220.12	RKOM-707/98/74100	SEAL KIT	200.00	110.00	340.20
RKOM-707/98/52130	SEAL KIT	140.00	70.00	195.52	RKOM-707/98/74400	SEAL KIT	225.00	110.00	469.49
RKOM-707/98/52140	SEAL KIT	140.00	70.00	162.06	RKOM-707/98/74410	SEAL KIT	225.00	110.00	331.73
RKOM-707/98/52210	SEAL KIT	140.00	70.00	73.68	RKOM-707/98/74420	SEAL KIT	225.00	110.00	279.88
RKOM-707/98/52220	SEAL KIT	140.00	70.00	79.25	RKOM-707/98/75020	SEAL KIT	200.00	120.00	253.46
RKOM-707/98/52410	SEAL KIT	150.00	70.00	185.17	RKOM-707/98/77020	SEAL KIT	200.00	140.00	284.03
RKOM-707/98/52420	SEAL KIT	150.00	70.00	213.76	RKOM-707/98/77030	SEAL KIT	200.00	140.00	574.51
RKOM-707/98/52430	SEAL KIT	150.00	70.00	167.59	RKOM-707/98/77400	SEAL KIT	225.00	140.00	698.99
RKOM-707/98/53100	SEAL KIT	140.00	75.00	221.73	RKOM-707/98/78400	SEAL KIT	225.00	160.00	706.26
RKOM-707/98/53410	SEAL KIT	150.00	75.00	192.47	RKOM-707/98/81010	SEAL KIT	250.00	110.00	347.32
RKOM-707/98/54500	SEAL KIT	150.00	80.00	290.47	RKOM-707/98/84011	SEAL KIT	250.00	140.00	472.97
RKOM-707/98/54510	SEAL KIT	150.00	80.00	183.04	RKOM-707/99/03500	SEAL KIT	50.00	25.00	73.36
RKOM-707/98/56210	SEAL KIT	140.00	90.00	560.05	RKOM-707/99/04410	SEAL KIT	50.00	30.00	84.10
RKOM-707/98/56600	SEAL KIT	150.00	90.00	167.34	RKOM-707/99/11030	SEAL KIT	60.00	30.00	67.63
RKOM-707/98/56610	SEAL KIT	150.00	90.00	179.30	RKOM-707/99/11040	SEAL KIT	60.00	30.00	67.63
RKOM-707/98/57200	SEAL KIT	160.00	110.00	396.72	RKOM-707/99/12420	SEAL KIT	70.00	35.00	95.60
RKOM-707/98/57201	SEAL KIT	140.00	95.00	128.84	RKOM-707/99/13410	SEAL KIT	70.00	35.00	104.41
RKOM-707/98/57251	SEAL KIT	140.00	95.00	140.82	RKOM-707/99/14200	SEAL KIT	60.00	40.00	78.07
RKOM-707/98/58200	SEAL KIT	140.00	100.00	251.30	RKOM-707/99/14410	SEAL KIT	70.00	40.00	92.58
RKOM-707/98/58210	SEAL KIT	140.00	100.00	205.00	RKOM-707/99/14600	SEAL KIT	70.00	40.00	113.24
RKOM-707/98/58230	SEAL KIT	140.00	100.00	140.77	RKOM-707/99/14610	SEAL KIT	70.00	40.00	65.57

All manufacturer's names, part numbers and descriptions are used for reference purposes only. We do not imply that any part shown is the product of these manufacturers.

KOMATSU

KIT LISTING

INDUSTRIAL
SEAL KITS

MOBILE
SEAL KITS

KOMATSU

Ref. Number	Desc.	Bore	Rod	\$	Ref. Number	Desc.	Bore	Rod	\$
RKOM-707/99/14750	SEAL KIT	70.00	40.00	79.76	RKOM-707/99/34600	SEAL KIT	110.00	55.00	79.28
RKOM-707/99/14760	SEAL KIT	70.00	40.00	118.13	RKOM-707/99/34620	SEAL KIT	110.00	55.00	86.90
RKOM-707/99/14770	SEAL KIT	70.00	40.00	122.06	RKOM-707/99/34630	SEAL KIT	110.00	55.00	81.31
RKOM-707/99/14930	SEAL KIT	75.00	40.00	82.82	RKOM-707/99/35160	SEAL KIT	100.00	60.00	136.67
RKOM-707/99/15600	SEAL KIT	70.00	45.00	113.71	RKOM-707/99/35170	SEAL KIT	100.00	60.00	46.52
RKOM-707/99/15810	SEAL KIT	75.00	45.00	147.14	RKOM-707/99/35230	SEAL KIT	100.00	60.00	291.74
RKOM-707/99/22010	SEAL KIT	80.00	40.00	93.66	RKOM-707/99/35300	SEAL KIT	100.00	60.00	288.63
RKOM-707/99/22100	SEAL KIT	80.00	40.00	134.81	RKOM-707/99/35310	SEAL KIT	100.00	60.00	306.45
RKOM-707/99/23010	SEAL KIT	80.00	40.00	55.19	RKOM-707/99/35320	SEAL KIT	100.00	60.00	257.94
RKOM-707/99/23910	SEAL KIT	85.00	40.00	109.18	RKOM-707/99/35590	SEAL KIT	115.00	60.00	68.72
RKOM-707/99/24100	SEAL KIT	80.00	45.00	111.36	RKOM-707/99/36110	SEAL KIT	100.00	65.00	120.58
RKOM-707/99/24110	SEAL KIT	80.00	45.00	95.75	RKOM-707/99/36200	SEAL KIT	100.00	65.00	196.16
RKOM-707/99/24120	SEAL KIT	80.00	45.00	92.71	RKOM-707/99/36210	SEAL KIT	100.00	65.00	161.94
RKOM-707/99/24200	SEAL KIT	80.00	45.00	99.00	RKOM-707/99/36220	SEAL KIT	100.00	65.00	220.82
RKOM-707/99/24500	SEAL KIT	90.00	45.00	103.00	RKOM-707/99/36260	SEAL KIT	100.00	65.00	161.63
RKOM-707/99/24510	SEAL KIT	90.00	45.00	59.43	RKOM-707/99/36270	SEAL KIT	100.00	65.00	161.46
RKOM-707/99/24630	SEAL KIT	90.00	45.00	155.40	RKOM-707/99/36300	SEAL KIT	100.00	65.00	126.73
RKOM-707/99/24640	SEAL KIT	90.00	45.00	107.20	RKOM-707/99/36330	SEAL KIT	100.00	65.00	114.60
RKOM-707/99/24650	SEAL KIT	90.00	45.00	99.40	RKOM-707/99/36410	SEAL KIT	110.00	60.00	134.33
RKOM-707/99/24660	SEAL KIT	90.00	45.00	100.81	RKOM-707/99/36420	SEAL KIT	110.00	65.00	150.72
RKOM-707/99/24670	SEAL KIT	90.00	45.00	99.46	RKOM-707/99/36550	SEAL KIT	110.00	65.00	62.13
RKOM-707/99/24930	SEAL KIT	85.00	45.00	122.19	RKOM-707/99/36620	SEAL KIT	105.00	65.00	265.72
RKOM-707/99/25520	SEAL KIT	90.00	50.00	130.10	RKOM-707/99/36630	SEAL KIT	115.00	65.00	494.37
RKOM-707/99/25700	SEAL KIT	90.00	50.00	242.74	RKOM-707/99/37150	SEAL KIT	105.00	70.00	130.99
RKOM-707/99/25710	SEAL KIT	90.00	50.00	163.36	RKOM-707/99/37230	SEAL KIT	105.00	70.00	118.07
RKOM-707/99/25720	SEAL KIT	90.00	50.00	65.83	RKOM-707/99/37290	SEAL KIT	105.00	70.00	265.06
RKOM-707/99/25730	SEAL KIT	90.00	50.00	123.68	RKOM-707/99/37300	SEAL KIT	105.00	70.00	89.51
RKOM-707/99/25870	SEAL KIT	95.00	65.00	132.24	RKOM-707/99/37310	SEAL KIT	105.00	70.00	95.33
RKOM-707/99/25880	SEAL KIT	95.00	65.00	111.70	RKOM-707/99/37340	SEAL KIT	105.00	70.00	95.74
RKOM-707/99/26410	SEAL KIT	90.00	55.00	107.27	RKOM-707/99/37500	SEAL KIT	110.00	70.00	100.12
RKOM-707/99/26530	SEAL KIT	90.00	55.00	85.50	RKOM-707/99/37510	SEAL KIT	110.00	70.00	132.60
RKOM-707/99/26600	SEAL KIT	90.00	55.00	151.12	RKOM-707/99/37600	SEAL KIT	110.00	70.00	176.59
RKOM-707/99/26620	SEAL KIT	90.00	55.00	202.49	RKOM-707/99/37610	SEAL KIT	110.00	70.00	282.17
RKOM-707/99/26640	SEAL KIT	90.00	55.00	317.08	RKOM-707/99/38720	SEAL KIT	110.00	75.00	271.65
RKOM-707/99/27600	SEAL KIT	90.00	60.00	186.41	RKOM-707/99/38740	SEAL KIT	110.00	75.00	60.70
RKOM-707/99/27650	SEAL KIT	90.00	60.00	214.26	RKOM-707/99/38760	SEAL KIT	110.00	75.00	100.00
RKOM-707/99/32010	SEAL KIT	100.00	50.00	124.54	RKOM-707/99/40040	SEAL KIT	120.00	55.00	171.65
RKOM-707/99/32070	SEAL KIT	100.00	50.00	109.85	RKOM-707/99/40100	SEAL KIT	120.00	50.00	165.99
RKOM-707/99/32100	SEAL KIT	100.00	50.00	106.28	RKOM-707/99/40120	SEAL KIT	120.00	55.00	92.58
RKOM-707/99/32110	SEAL KIT	100.00	50.00	88.90	RKOM-707/99/41100	SEAL KIT	120.00	60.00	133.29
RKOM-707/99/32190	SEAL KIT	100.00	50.00	76.84	RKOM-707/99/41130	SEAL KIT	120.00	60.00	50.69
RKOM-707/99/32250	SEAL KIT	100.00	50.00	185.56	RKOM-707/99/41140	SEAL KIT	120.00	60.00	186.93
RKOM-707/99/33010	SEAL KIT	100.00	50.00	109.58	RKOM-707/99/41270	SEAL KIT	120.00	60.00	94.96
RKOM-707/99/34030	SEAL KIT	100.00	55.00	109.49	RKOM-707/99/41300	SEAL KIT	120.00	60.00	262.99
RKOM-707/99/34100	SEAL KIT	100.00	55.00	91.68	RKOM-707/99/42020	SEAL KIT	120.00	65.00	167.89
RKOM-707/99/34500	SEAL KIT	110.00	55.00	90.81	RKOM-707/99/43010	SEAL KIT	120.00	70.00	153.27
RKOM-707/99/34510	SEAL KIT	110.00	55.00	135.39	RKOM-707/99/43020	SEAL KIT	120.00	70.00	164.56
RKOM-707/99/34550	SEAL KIT	110.00	55.00	140.03	RKOM-707/99/43100	SEAL KIT	120.00	70.00	161.23

All manufacturer's names, part numbers and descriptions are used for reference purposes only. We do not imply that any part shown is the product of these manufacturers.

Remsa [KITS]

KIT LISTING

KOMATSU

Ref. Number	Desc.	Bore	Rod	\$	Ref. Number	Desc.	Bore	Rod	\$
RKOM-707/99/43110	SEAL KIT	120.00	70.00	191.77	RKOM-707/99/50620	SEAL KIT	135.00	95.00	253.80
RKOM-707/99/43300	SEAL KIT	120.00	70.00	343.92	RKOM-707/99/50650	SEAL KIT	135.00	95.00	163.05
RKOM-707/99/43500	SEAL KIT	130.00	70.00	164.74	RKOM-707/99/50740	SEAL KIT	135.00	95.00	163.46
RKOM-707/99/43520	SEAL KIT	130.00	70.00	246.24	RKOM-707/99/52100	SEAL KIT	140.00	70.00	186.61
RKOM-707/99/43540	SEAL KIT	130.00	70.00	216.61	RKOM-707/99/52160	SEAL KIT	140.00	70.00	74.74
RKOM-707/99/43570	SEAL KIT	130.00	70.00	221.63	RKOM-707/99/52170	SEAL KIT	140.00	70.00	80.28
RKOM-707/99/43590	SEAL KIT	130.00	70.00	238.13	RKOM-707/99/52600	SEAL KIT	150.00	70.00	168.40
RKOM-707/99/43680	SEAL KIT	130.00	70.00	65.34	RKOM-707/99/53100	SEAL KIT	140.00	75.00	142.51
RKOM-707/99/43690	SEAL KIT	130.00	70.00	67.03	RKOM-707/99/53160	SEAL KIT	140.00	75.00	104.74
RKOM-707/99/44060	SEAL KIT	115.00	75.00	203.78	RKOM-707/99/53170	SEAL KIT	140.00	75.00	200.08
RKOM-707/99/44120	SEAL KIT	200.00	110.00	244.34	RKOM-707/99/53500	SEAL KIT	150.00	75.00	184.99
RKOM-707/99/44180	SEAL KIT	120.00	75.00	394.43	RKOM-707/99/54100	SEAL KIT	140.00	80.00	144.66
RKOM-707/99/44200	SEAL KIT	115.00	75.00	132.80	RKOM-707/99/55500	SEAL KIT	150.00	85.00	154.24
RKOM-707/99/44220	SEAL KIT	115.00	75.00	99.54	RKOM-707/99/56220	SEAL KIT	140.00	90.00	125.84
RKOM-707/99/44230	SEAL KIT	115.00	75.00	99.54	RKOM-707/99/56310	SEAL KIT	140.00	90.00	330.11
RKOM-707/99/44270	SEAL KIT	115.00	75.00	91.26	RKOM-707/99/56500	SEAL KIT	150.00	90.00	194.57
RKOM-707/99/44280	SEAL KIT	115.00	75.00	94.17	RKOM-707/99/56510	SEAL KIT	150.00	90.00	494.67
RKOM-707/99/44290	SEAL KIT	115.00	75.00	87.06	RKOM-707/99/56620	SEAL KIT	150.00	90.00	241.38
RKOM-707/99/44310	SEAL KIT	115.00	75.00	482.39	RKOM-707/99/57160	SEAL KIT	135.00	95.00	287.66
RKOM-707/99/44340	SEAL KIT	115.00	75.00	101.72	RKOM-707/99/57180	SEAL KIT	135.00	95.00	154.01
RKOM-707/99/44380	SEAL KIT	115.00	75.00	95.36	RKOM-707/99/57200	SEAL KIT	135.00	95.00	237.59
RKOM-707/99/45220	SEAL KIT	115.00	80.00	133.11	RKOM-707/99/57250	SEAL KIT	135.00	95.00	237.59
RKOM-707/99/45230	SEAL KIT	115.00	80.00	156.07	RKOM-707/99/57270	SEAL KIT	135.00	95.00	297.11
RKOM-707/99/45310	SEAL KIT	120.00	80.00	95.39	RKOM-707/99/57310	SEAL KIT	140.00	95.00	283.42
RKOM-707/99/46030	SEAL KIT	120.00	85.00	114.45	RKOM-707/99/58030	SEAL KIT	140.00	100.00	174.11
RKOM-707/99/46120	SEAL KIT	125.00	85.00	166.68	RKOM-707/99/58050	SEAL KIT	140.00	100.00	190.65
RKOM-707/99/46130	SEAL KIT	120.00	85.00	296.36	RKOM-707/99/58060	SEAL KIT	140.00	100.00	327.35
RKOM-707/99/46200	SEAL KIT	120.00	85.00	288.62	RKOM-707/99/58070	SEAL KIT	140.00	100.00	163.70
RKOM-707/99/46210	SEAL KIT	120.00	85.00	290.15	RKOM-707/99/58080	SEAL KIT	140.00	100.00	222.59
RKOM-707/99/46270	SEAL KIT	120.00	85.00	185.61	RKOM-707/99/58090	SEAL KIT	140.00	100.00	299.92
RKOM-707/99/46290	SEAL KIT	125.00	85.00	295.77	RKOM-707/99/58110	SEAL KIT	140.00	100.00	277.39
RKOM-707/99/46320	SEAL KIT	120.00	85.00	318.87	RKOM-707/99/58200	SEAL KIT	140.00	100.00	296.55
RKOM-707/99/46420	SEAL KIT	120.00	85.00	117.45	RKOM-707/99/58210	SEAL KIT	140.00	100.00	302.25
RKOM-707/99/46600	SEAL KIT	120.00	85.00	179.15	RKOM-707/99/58240	SEAL KIT	140.00	100.00	378.92
RKOM-707/99/46620	SEAL KIT	130.00	85.00	247.52	RKOM-707/99/58260	SEAL KIT	140.00	100.00	488.89
RKOM-707/99/47570	SEAL KIT	130.00	90.00	251.78	RKOM-707/99/58300	SEAL KIT	140.00	100.00	143.63
RKOM-707/99/47600	SEAL KIT	130.00	90.00	195.02	RKOM-707/99/58310	SEAL KIT	140.00	100.00	114.62
RKOM-707/99/47610	SEAL KIT	130.00	90.00	296.44	RKOM-707/99/58320	SEAL KIT	140.00	100.00	190.76
RKOM-707/99/47660	SEAL KIT	130.00	90.00	203.83	RKOM-707/99/58350	SEAL KIT	140.00	100.00	223.72
RKOM-707/99/47670	SEAL KIT	130.00	90.00	296.50	RKOM-707/99/58360	SEAL KIT	140.00	100.00	242.97
RKOM-707/99/47730	SEAL KIT	130.00	90.00	186.88	RKOM-707/99/58370	SEAL KIT	140.00	100.00	317.36
RKOM-707/99/47740	SEAL KIT	130.00	90.00	194.00	RKOM-707/99/58390	SEAL KIT	140.00	100.00	114.47
RKOM-707/99/47780	SEAL KIT	130.00	90.00	180.51	RKOM-707/99/59020	SEAL KIT	140.00	100.00	309.23
RKOM-707/99/47790	SEAL KIT	130.00	90.00	173.65	RKOM-707/99/59320	SEAL KIT	140.00	100.00	244.72
RKOM-707/99/47800	SEAL KIT	130.00	90.00	142.06	RKOM-707/99/59330	SEAL KIT	140.00	100.00	143.94
RKOM-707/99/47830	SEAL KIT	130.00	90.00	286.80	RKOM-707/99/59600	SEAL KIT	150.00	100.00	180.87
RKOM-707/99/47860	SEAL KIT	130.00	90.00	148.52	RKOM-707/99/59610	SEAL KIT	150.00	110.00	307.01
RKOM-707/99/48610	SEAL KIT	130.00	95.00	255.42	RKOM-707/99/59620	SEAL KIT	150.00	110.00	409.38

All manufacturer's names, part numbers and descriptions are used for reference purposes only. We do not imply that any part shown is the product of these manufacturers.

INDUSTRIAL
SEAL KITS

MOBILE
SEAL KITS

KOMATSU

Remsa [KITS]

KOMATSU

KIT LISTING

Ref. Number	Desc.	Bore	Rod	\$	Ref. Number	Desc.	Bore	Rod	\$
RKOM-707/99/59740	SEAL KIT	150.00	110.00	405.90	RKOM-707/99/68600	SEAL KIT	200.00	140.00	813.05
RKOM-707/99/62010	SEAL KIT	160.00	80.00	169.34	RKOM-707/99/68660	SEAL KIT	185.00	120.00	314.59
RKOM-707/99/62020	SEAL KIT	160.00	80.00	161.15	RKOM-707/99/68730	SEAL KIT	185.00	120.00	312.11
RKOM-707/99/62120	SEAL KIT	160.00	80.00	271.69	RKOM-707/99/68780	SEAL KIT	185.00	120.00	329.10
RKOM-707/99/64010	SEAL KIT	160.00	90.00	165.36	RKOM-707/99/68910	SEAL KIT	170.00	120.00	286.92
RKOM-707/99/64030	SEAL KIT	160.00	90.00	232.25	RKOM-707/99/69500	SEAL KIT	160.00	110.00	366.45
RKOM-707/99/64040	SEAL KIT	160.00	90.00	238.64	RKOM-707/99/69600	SEAL KIT	180.00	130.00	381.29
RKOM-707/99/64050	SEAL KIT	160.00	90.00	116.44	RKOM-707/99/69620	SEAL KIT	180.00	130.00	403.21
RKOM-707/99/64080	SEAL KIT	160.00	90.00	208.91	RKOM-707/99/69700	SEAL KIT	185.00	130.00	350.38
RKOM-707/99/64200	SEAL KIT	160.00	90.00	129.17	RKOM-707/99/69710	SEAL KIT	185.00	130.00	363.52
RKOM-707/99/64230	SEAL KIT	160.00	90.00	120.80	RKOM-707/99/69740	SEAL KIT	185.00	130.00	362.82
RKOM-707/99/64250	SEAL KIT	160.00	90.00	120.80	RKOM-707/99/69790	SEAL KIT	185.00	130.00	354.66
RKOM-707/99/64400	SEAL KIT	180.00	90.00	249.70	RKOM-707/99/71100	SEAL KIT	200.00	90.00	204.66
RKOM-707/99/64410	SEAL KIT	180.00	90.00	171.75	RKOM-707/99/71420	SEAL KIT	225.00	90.00	244.79
RKOM-707/99/64450	SEAL KIT	180.00	90.00	205.30	RKOM-707/99/72240	SEAL KIT	160.00	110.00	298.54
RKOM-707/99/64500	SEAL KIT	110.00	55.00	121.96	RKOM-707/99/72300	SEAL KIT	160.00	110.00	195.58
RKOM-707/99/64520	SEAL KIT	180.00	90.00	137.00	RKOM-707/99/72390	SEAL KIT	160.00	115.00	898.17
RKOM-707/99/64540	SEAL KIT	180.00	90.00	239.66	RKOM-707/99/73010	SEAL KIT	200.00	100.00	158.60
RKOM-707/99/65400	SEAL KIT	180.00	95.00	177.62	RKOM-707/99/73020	SEAL KIT	200.00	100.00	145.76
RKOM-707/99/65420	SEAL KIT	180.00	95.00	189.09	RKOM-707/99/73150	SEAL KIT	200.00	100.00	321.59
RKOM-707/99/66010	SEAL KIT	160.00	100.00	116.81	RKOM-707/99/73160	SEAL KIT	200.00	100.00	416.55
RKOM-707/99/66210	SEAL KIT	160.00	100.00	244.46	RKOM-707/99/73800	SEAL KIT	150.00	100.00	921.36
RKOM-707/99/66240	SEAL KIT	160.00	100.00	239.45	RKOM-707/99/74010	SEAL KIT	200.00	110.00	182.77
RKOM-707/99/66360	SEAL KIT	160.00	100.00	418.87	RKOM-707/99/74020	SEAL KIT	200.00	110.00	766.45
RKOM-707/99/66380	SEAL KIT	160.00	100.00	199.66	RKOM-707/99/74120	SEAL KIT	200.00	110.00	189.58
RKOM-707/99/66400	SEAL KIT	180.00	100.00	230.64	RKOM-707/99/74130	SEAL KIT	200.00	110.00	793.70
RKOM-707/99/66600	SEAL KIT	180.00	100.00	132.41	RKOM-707/99/74140	SEAL KIT	200.00	110.00	258.10
RKOM-707/99/66610	SEAL KIT	180.00	100.00	117.65	RKOM-707/99/74200	SEAL KIT	200.00	110.00	200.63
RKOM-707/99/66660	SEAL KIT	180.00	100.00	120.07	RKOM-707/99/74440	SEAL KIT	225.00	110.00	876.67
RKOM-707/99/67010	SEAL KIT	160.00	110.00	324.12	RKOM-707/99/74450	SEAL KIT	225.00	110.00	792.50
RKOM-707/99/67070	SEAL KIT	160.00	110.00	196.48	RKOM-707/99/75400	SEAL KIT	225.00	120.00	204.89
RKOM-707/99/67090	SEAL KIT	160.00	110.00	317.78	RKOM-707/99/75410	SEAL KIT	225.00	120.00	202.52
RKOM-707/99/67110	SEAL KIT	160.00	110.00	265.60	RKOM-707/99/75420	SEAL KIT	225.00	120.00	217.09
RKOM-707/99/67120	SEAL KIT	160.00	110.00	280.49	RKOM-707/99/75440	SEAL KIT	225.00	120.00	260.62
RKOM-707/99/67121	SEAL KIT	160.00	110.00	190.16	RKOM-707/99/75450	SEAL KIT	225.00	120.00	423.40
RKOM-707/99/67280	SEAL KIT	160.00	110.00	253.48	RKOM-707/99/75470	SEAL KIT	225.00	120.00	197.54
RKOM-707/99/67290	SEAL KIT	160.00	110.00	209.26	RKOM-707/99/75490	SEAL KIT	225.00	120.00	563.18
RKOM-707/99/67300	SEAL KIT	160.00	110.00	343.26	RKOM-707/99/77090	SEAL KIT	200.00	140.00	446.16
RKOM-707/99/67310	SEAL KIT	160.00	110.00	374.04	RKOM-707/99/77120	SEAL KIT	200.00	140.00	528.62
RKOM-707/99/67610	SEAL KIT	160.00	110.00	269.74	RKOM-707/99/77140	SEAL KIT	200.00	140.00	285.51
RKOM-707/99/67830	SEAL KIT	160.00	110.00	173.30	RKOM-707/99/77160	SEAL KIT	200.00	140.00	269.62
RKOM-707/99/67840	SEAL KIT	160.00	110.00	208.85	RKOM-707/99/77220	SEAL KIT	200.00	140.00	559.58
RKOM-707/99/67870	SEAL KIT	160.00	110.00	219.26	RKOM-707/99/77240	SEAL KIT	200.00	140.00	657.70
RKOM-707/99/68420	SEAL KIT	160.00	120.00	421.30	RKOM-707/99/77250	SEAL KIT	200.00	140.00	596.60
RKOM-707/99/68430	SEAL KIT	185.00	120.00	585.63	RKOM-707/99/77300	SEAL KIT	200.00	140.00	212.08
RKOM-707/99/68510	SEAL KIT	185.00	120.00	306.93	RKOM-707/99/77380	SEAL KIT	200.00	140.00	220.26
RKOM-707/99/68560	SEAL KIT	185.00	120.00	535.23	RKOM-707/99/77600	SEAL KIT	225.00	140.00	413.12
RKOM-707/99/68580	SEAL KIT	185.00	120.00	319.64	RKOM-707/99/77611	SEAL KIT	225.00	140.00	1804.47

All manufacturer's names, part numbers and descriptions are used for reference purposes only. We do not imply that any part shown is the product of these manufacturers.

INDUSTRIAL
SEAL KITS

MOBILE
SEAL KITS

KOMATSU

KIT LISTING

KOMATSU

Ref. Number	Desc.	Bore	Rod	\$	Ref. Number	Desc.	Bore	Rod	\$
RKOM-707/99/77630	SEAL KIT	225.00	140.00	465.65	RKOM-909011	SEAL KIT	185.00	100.00	239.93
RKOM-707/99/78620	SEAL KIT	225.00	160.00	1011.19	RKOM-909013	SEAL KIT	95.00	70.00	31.43
RKOM-707/99/78630	SEAL KIT	225.00	160.00	1010.88	RKOM-909014	SEAL KIT	130.00	100.00	100.94
RKOM-707/99/78700	SEAL KIT	225.00	160.00	1117.43	RKOM-909015	SEAL KIT	N/A	70.00	30.17
RKOM-707/99/78740	SEAL KIT	225.00	160.00	1179.92	RKOM-909016	SEAL KIT	90.00	70.00	206.04
RKOM-707/99/79400	SEAL KIT	215.00	130.00	588.17	RKOM-909018	SEAL KIT	N/A	60.00	61.45
RKOM-707/99/79400	SEAL KIT	215.00	130.00	939.83	RKOM-909019	SEAL KIT	N/A	70.00	32.63
RKOM-707/99/81010	SEAL KIT	250.00	110.00	1011.10	RKOM-909020	SEAL KIT	N/A	70.00	62.17
RKOM-707/99/84010	SEAL KIT	250.00	140.00	375.35	RKOM-909021	SEAL KIT	N/A	70.00	44.99
RKOM-707/99/84400	SEAL KIT	280.00	140.00	321.78	RKOM-909022	SEAL KIT	N/A	90.00	54.29
RKOM-707/99/84450	SEAL KIT	280.00	140.00	403.22	RKOM-909023	SEAL KIT	N/A	100.00	38.42
RKOM-707/99/85900	SEAL KIT	260.00	160.00	797.31	RKOM-909024	SEAL KIT	N/A	100.00	101.80
RKOM-707/99/86600	SEAL KIT	280.00	170.00	611.95	RKOM-909025	SEAL KIT	N/A	100.00	63.05
RKOM-707/99/89200	SEAL KIT	250.00	170.00	609.98	RKOM-909026	SEAL KIT	90.00	80.00	356.26
RKOM-707/99/89220	SEAL KIT	250.00	170.00	1359.48	RKOM-909027	SEAL KIT	90.00	80.00	298.42
RKOM-707/99/89240	SEAL KIT	250.00	170.00	1359.48	RKOM-909028	SEAL KIT	100.00	80.00	116.13
RKOM-707/99/89250	SEAL KIT	250.00	170.00	1803.89	RKOM-909029	SEAL KIT		110.00	79.49
RKOM-707/99/96200	SEAL KIT	300.00	180.00	1282.43	RKOM-AK0030	SEAL KIT	6.25/7.25/8.42	3.75/6.75/7.90	390.96
RKOM-707/99/96222	SEAL KIT	300.00	180.00	3431.51	RKOM-AK0061	SEAL KIT	6-3/4, 7-3/8, 8-3/4	3-3/4, 6-3/4, 8-1/8	411.15
RKOM-827020113	SEAL KIT	80.00	40.00	23.53	RKOM-AK0071	SEAL KIT	3.500	2.000	384.23
RKOM-855660112	SEAL KIT	85.00	45.00	71.39	RKOM-AK0074	SEAL KIT	4.500	2.000	642.94
RKOM-878000365	SEAL KIT	120.00	60.00	212.75	RKOM-AK0075	SEAL KIT	4.500	2.500	600.75
RKOM-878000388	SEAL KIT	70.00	40.00	53.34	RKOM-AK0076	SEAL KIT	5.000	2.500	698.12
RKOM-878000425	SEAL KIT	100.00	60.00	167.81	RKOM-AK0531	SEAL KIT	N/A	12.000	2120.75
RKOM-878000486	SEAL KIT	85.00	50.00	65.92	RKOM-AK0532	SEAL KIT	N/A	12.000	1556.36
RKOM-878000487	SEAL KIT	80.00	50.00	59.47	RKOM-AK0700A	SEAL KIT	4-1/2, 6, 7-3/8	3-3/4, 5-1/4, 6-3/4	1403.72
RKOM-878000489	SEAL KIT	120.00	60.00	85.03	RKOM-AK0700B	SEAL KIT	4-1/2, 6, 7-3/8	3-3/4, 5-1/4, 6-3/4	210.73
RKOM-878000490	SEAL KIT	110.00	60.00	85.95	RKOM-AK0708	SEAL KIT	6.00/7.37/8.75	3.75/6.75/8.12	181.47
RKOM-878000491	SEAL KIT	115.00	60.00	90.00	RKOM-AK0711A	SEAL KIT	7, 8-3/4, 10-1/2	6-1/4, 8-1/8, 9-3/4	1913.60
RKOM-878000492	SEAL KIT	95.00	60.00	78.26	RKOM-AK0715	SEAL KIT	7, 8-3/4, 10-1/2	6-1/4, 8-1/8, 9-3/4	297.11
RKOM-878000494	SEAL KIT	110.00	55.00	56.66	RKOM-AK0717A	SEAL KIT	7, 8-3/4, 10-1/2	6-1/4, 8-1/8, 9-3/4	2809.55
RKOM-878000541	SEAL KIT	125.00	60.00	112.92	RKOM-AK0717B	SEAL KIT	7, 8-3/4, 10-1/2	6-1/4, 8-1/8, 9-3/4	734.84
RKOM-878000542	SEAL KIT	115.00	50.00	66.21	RKOM-AK0719	SEAL KIT	8.25 / 10.50 / 13.00	6.75 / 9.75 / 12.00	959.25
RKOM-878000607	SEAL KIT	120.00	70.00	214.58	RKOM-AK0720	SEAL KIT	9-1/2, 11-1/2, 14	7, 10-1/2, 13	1031.18
RKOM-878000608	SEAL KIT	90.00	50.00	123.74	RKOM-AK0927	SEAL KIT	7.37 / 9.50 / 11.75	5.00 / 8.50 / 10.50	1255.00
RKOM-878000617	SEAL KIT	30.00	18.00	35.57	RKOM-AK0928	SEAL KIT	7.37 / 9.50 / 11.75	5.00 / 8.50 / 10.50	623.71
RKOM-878010240	SEAL KIT	60.00	30.00	54.63	RKOM-AK3533	SEAL KIT	6.000	3.000	544.47
RKOM-878010241	SEAL KIT	55.00	35.00	47.59	RKOM-AK3729	SEAL KIT	5.500	2.500	248.14
RKOM-878010284	SEAL KIT	65.00	35.00	49.12	RKOM-AK3730	SEAL KIT	8-3/8, 10-1/2, 13	6, 9-1/2, 11-3/4	2004.07
RKOM-878010285	SEAL KIT	65.00	40.00	49.57	RKOM-AK3853	SEAL KIT	6.500	3.000	877.45
RKOM-909001	SEAL KIT	N/A	N/A	107.80	RKOM-AK3854	SEAL KIT	9-1/2, 11-3/4, 14	7, 10-1/2, 13	3147.96
RKOM-909004	SEAL KIT	95.00	70.00	105.12	RKOM-AK3856	SEAL KIT	N/A	12.000	292.41
RKOM-909005	SEAL KIT	95.00	70.00	95.19	RKOM-AK3869	SEAL KIT	N/A	13.000	358.09
RKOM-909006	SEAL KIT	100.00	80.00	43.41	RKOM-AK3870	SEAL KIT	N/A	14.000	181.47
RKOM-909007	SEAL KIT	100.00	80.00	117.29	RKOM-AK3888	SEAL KIT	7.37/9.50/11.75	5.00/8.50/10.50	1255.00
RKOM-909008	SEAL KIT	130.00	100.00	187.06	RKOM-AK4235	SEAL KIT	N/A	10.000	959.25
RKOM-909009	SEAL KIT	140.00	110.00	175.45	RKOM-AK4259	SEAL KIT	8.000	N/A	210.73
RKOM-909010	SEAL KIT	N/A	100.00	139.87	RKOM-AK4307	SEAL KIT	6.500	3.250	1507.52

All manufacturer's names, part numbers and descriptions are used for reference purposes only. We do not imply that any part shown is the product of these manufacturers.

KOMATSU

KIT LISTING

INDUSTRIAL
SEAL KITS

MOBILE
SEAL KITS

KOMATSU

Ref. Number	Desc.	Bore	Rod	\$	Ref. Number	Desc.	Bore	Rod	\$
RKOM-AK4308	SEAL KIT	N/A	15.750	1139.01	RKOM-RK1355	SEAL KIT 7, 8-3/4, 10-1/2	6-1/4, 8-1/8, 9-3/4		626.04
RKOM-AK4324	SEAL KIT	N/A	12.000	2012.39	RKOM-RK1611	SEAL KIT	4.000	2.500	50.06
RKOM-AK4325	SEAL KIT	9-1/2, 11-3/4, 14	7, 10-1/2, 13	297.11	RKOM-RK1612	SEAL KIT	4.500	2.000	50.06
RKOM-AK4370	SEAL KIT	6.000	3.000	292.41	RKOM-RK1639A	SEAL KIT	N/A	12.000	434.12
RKOM-AK4370	SEAL KIT	6.000	3.000	327.31	RKOM-RK1639B	SEAL KIT	N/A	12.000	397.21
RKOM-AK4438	SEAL KIT	5.500	2.500	864.17	RKOM-RK1646	SEAL KIT	4.500	2.500	95.98
RKOM-AK4439	SEAL KIT	N/A	13.000	877.45	RKOM-RK1652	SEAL KIT 7, 8-3/4, 10-1/2	6-1/4, 8-1/8, 9-3/4		676.15
RKOM-AK4440	SEAL KIT	6.000	3.000	3147.96	RKOM-RK1655A	SEAL KIT	4-1/2, 6, 7-3/8	3-3/4, 5-1/4, 6-3/4	468.15
RKOM-AK4441	SEAL KIT	N/A	14.000	1507.52	RKOM-RK1656A	SEAL KIT	6, 7-3/4, 8-3/4	3-3/4, 6-3/4, 7-3/8	738.52
RKOM-AK4441	SEAL KIT	N/A	14.000	623.71	RKOM-RK1827A	SEAL KIT	7, 8-3/4, 10-1/2	6-1/4, 8-1/8, 9-3/4	419.93
RKOM-AK4442	SEAL KIT	N/A	15.500	623.71	RKOM-RK1827B	SEAL KIT	7, 8-3/4, 10-1/2	6-1/4, 8-1/8, 9-3/4	419.93
RKOM-AK4443	SEAL KIT	6.500	3.000	1258.69	RKOM-RK1848	SEAL KIT	7, 8-3/4, 10-1/2	6-1/4, 8-1/8, 9-3/4	762.90
RKOM-AK4444	SEAL KIT	6.500	3.000	2037.98	RKOM-RK1887	SEAL KIT	N/A	N/A	110.26
RKOM-AK4446	SEAL KIT	N/A	12.000	864.17	RKOM-RK1887	SEAL KIT	N/A	N/A	118.66
RKOM-AK4446	SEAL KIT	N/A	12.000	2343.46	RKOM-RK2106	SEAL KIT	N/A	N/A	187.29
RKOM-AK4569	SEAL KIT	9-1/2, 11-3/4, 14	7, 10-1/2, 13	241.99	RKOM-TZ1083	SEAL KIT	7.375	5.000	260.90
RKOM-AK4612	SEAL KIT	N/A	10.000	3147.96	RKOM-TZ1103	SEAL KIT	9.500	8.500	421.27
RKOM-AK4633	SEAL KIT	N/A	10.000	2809.55	RKOM-TZ1118	SEAL KIT	11.750	10.500	481.34
RKOM-AK4657	SEAL KIT	N/A	10.000	2194.90	RKOM-VE3429	SEAL KIT	N/A	N/A	17.37
RKOM-AK4743	SEAL KIT	8-3/8, 10-1/2, 13	6, 9-1/2, 11-3/4	2120.75	RKOM-VE4126	SEAL KIT	N/A	N/A	49.69
RKOM-AK4757	SEAL KIT	9-1/2, 11-1/2, 14	7, 10-1/2, 13	1949.23	RKOM-WA600/TILT	SEAL KIT	300.00	180.00	1253.87
RKOM-AK4763	SEAL KIT	2.500	5.500	2172.28					
RKOM-AK4773	SEAL KIT	9-1/2, 11-3/4, 14	7, 10-1/2, 13	1255.00					
RKOM-AK4883	SEAL KIT	9-1/2, 11-3/4, 14	7, 10-1/2, 13	2668.00					
RKOM-AK4892	SEAL KIT	9.50/11.50/14.00	7.00/10.50/13.00	2194.90					
RKOM-AK4892	SEAL KIT	9-1/2, 11-1/2, 14	7, 10-1/2, 13	3246.32					
RKOM-AK4941	SEAL KIT	340.00	280.00	2538.45					
RKOM-AK4942	SEAL KIT	N/A	13.250	494.96					
RKOM-AK4955	SEAL KIT	7.37/9.50/11.75	5.00/8.50/10.50	1255.00					
RKOM-AK5515	SEAL KIT	9-1/2, 11-1/2, 14	7, 10-1/2, 13	2926.38					
RKOM-AK5516	SEAL KIT	9-1/2, 11-3/4, 14	7, 10-1/2, 13	3246.32					
RKOM-AK5576	SEAL KIT	9-1/2, 11-3/4, 14	7, 10-1/2, 13	345.53					
RKOM-AK5654	SEAL KIT	6.000	3.000	1031.18					
RKOM-AK5697	SEAL KIT	9-1/2, 11-3/4, 14	7, 10-1/2, 13	734.84					
RKOM-AK5750	SEAL KIT	N/A	10.000	1195.21					
RKOM-AK7155	SEAL KIT	N/A	7.000	544.47					
RKOM-AK7160	SEAL KIT	N/A	14.000	2340.41					
RKOM-AK7161	SEAL KIT	N/A	12.000	62.19					
RKOM-AK7283	SEAL KIT	6.000	3.000	11.78					
RKOM-AK7793	SEAL KIT	8.000	N/A	544.47					
RKOM-BF0286	SEAL KIT	N/A	N/A	2340.41					
RKOM-BF1861	SEAL KIT	24.00	0.750	138.68					
RKOM-BF2854	SEAL KIT	N/A	N/A	16.87					
RKOM-BF2856	SEAL KIT	N/A	N/A	16.32					
RKOM-BF4335	SEAL KIT	N/A	N/A	258.50					
RKOM-NA74Y49991-10	SEAL KIT	N/A	31.50	138.68					
RKOM-RK0223	SEAL KIT	N/A	N/A	16.87					
RKOM-RK1262	SEAL KIT	8.250	7.000	499.09					

All manufacturer's names, part numbers and descriptions are used for reference purposes only. We do not imply that any part shown is the product of these manufacturers.

Remsa [KITS]

INDUSTRIAL
SEAL KITS

MOBILE
SEAL KITS

KITS

Ref. Number	Desc.	Bore	Rod	\$
RKRE-017754	ACCUMULATOR	10.000	N/A	255.33
RKRE-200481	V-RING			2129.46
RKRE-202975	PISTON SEAL	6.500	N/A	81.82
RKRE-203781	PISTON SEAL	10.000	N/A	169.05
RKRE-203784	ROD SEAL	N/A	3.000	71.54

KRESS

Ref. Number	Desc.	Bore	Rod	\$
RKRE-203847	FRONT SUSPENSION			2266.88
RKRE-204461	ROD WIPER	N/A	9.000	375.94
RKRE-205867	PISTON SEAL	7.250	N/A	97.22

KITS

Ref. Number	Desc.	Bore	Rod	\$
RLEA-10035	SEAL KIT	6.000	4.000	43.78
RLEA-101102	300600	4.000	2.250	26.24
RLEA-101103	401054	5.000	3.500	36.54
RLEA-101238	SEAL KIT	6.000	1.750	44.70
RLEA-102168	401207	4.000	2.000	23.90
RLEA-102169	SEAL KIT	5.000	3.500	56.61
RLEA-102559	SEAL KIT	5.000	2.000	34.01
RLEA-102565	2RII T.G. LIFT	4.000	2.250	24.38
RLEA-102566	402161, 402162	4.000	2.250	21.58
RLEA-102567	402314, 402315	4.000	2.250	29.55
RLEA-103945	2-3/8, 2-7/8, 3-3/8, 3-7/8" STAGES			42.87
RLEA-15452	15026	6.000	2.250	51.48
RLEA-15452U	15026	6.000	2.250	63.01
RLEA-15453	15074	4.000	2.250	29.21
RLEA-15454	15049	5.000	2.000	38.07
RLEA-15454U	15049	5.000	2.000	49.04
RLEA-15468	15373	4.000	2.250	34.19
RLEA-15468U	15373	4.000	2.250	52.00
RLEA-2R1054	2R1054	6.000	4.000	36.14
RLEA-2R2008K	2R1008	6.000	4.500	50.95
RLEA-2R2114	2R1006	6.000	4.500	75.22
RLEA-2R2114A	2R1006A,	6.000	4.500	59.23
RLEA-2R2114AU	2R1006A,	6.000	4.500	41.90
RLEA-30653	18974, 18975,	4.000	2.000	25.52

LEACH

Ref. Number	Desc.	Bore	Rod	\$
RLEA-30654	17001	5.000	2.000	61.01
RLEA-33557	SEAL KIT	5.000	2.250	43.82
RLEA-33558	31778	4.000	2.250	41.48
RLEA-36363	SEAL KIT	3.500	2.250	25.55
RLEA-950051	4, 5, 6" STAGES -			167.71
RLEA-P16-541	P16-273	4.000	2.250	46.24
RLEA-P16-569	P16-204	3.000	2.250	23.31
RLEA-P16-570	P16-7	4.000		19.35
RLEA-P16-934K	P16-934	4.000	2.250	37.43
RLEA-P16-934KU	SEAL KIT	4.000	2.500	55.66
RLEA-P25-29K	P25-29	6.000	3.000	38.41
RLEA-PO1148	PO-1166	6.000	4.500	126.56
RLEA-PO-1567	PO-265	4.000	2.250	28.46
RLEA-SR7158	SR6002	5.000	2.000	47.75
RLEA-SR7162	SEAL KIT	6.000	2.250	67.04
RLEA-SR9002	SR6021	6.000	2.250	51.48
RLEA-U1291D	U1158, 15527	6.000	2.250	57.70
RLEA-U1291DU	SEAL KIT	6.000	2.250	67.81

All manufacturer's names, part numbers and descriptions are used for reference purposes only. We do not imply that any part shown is the product of these manufacturers.

KRESS / LEACH

LETOURNEAU

FRONT END WHEEL LOADERS

Model	Application	Serial Number	Cylinder Number	Bore	Rod	I	Ref. Number RLET-	\$	
						M			
L-1100	BUCKET			12.500	7.000	I	421/3977	880.14	
				12.510	7.000	I	425/7022	1100.17	
				12.520	7.000	I	425/7023	1100.17	
				12.530	7.000	I	425/7024	1100.17	
	HOIST				12.500	7.000	I	421/3592	880.14
					12.510	7.000	I	425/7013	1100.17
					12.520	7.000	I	425/7014	1100.17
	STEERING				12.530	7.000	I	425/7015	1100.17
					7.500	3.500	I	416/2126	480.08
					7.510	3.500	I	425/7025	600.10
					7.520	3.500	I	425/7026	600.10
					7.530	3.500	I	425/7027	600.10
	STEERING				7.500	4.000	I	421/9228	553.71
				7.510	4.000	I	425/7016	692.14	
				7.520	4.000	I	425/7017	692.14	
				7.530	4.000	I	425/7018	692.14	
L-1350	BUCKET			N/A	N/A	I	424/1242	0/R	
				N/A	N/A	I	425/7031	0/R	
				N/A	N/A	I	425/7032	0/R	
	HOIST				N/A	N/A	I	425/7033	0/R
					13.500	7.000	I	424/1231	1608.07
					N/A	N/A	I	425/7028	0/R
					N/A	N/A	I	425/7029	0/R
STEERING				N/A	N/A	I	425/7030	0/R	
				7.500	4.000	I	421/9228	553.71	
				7.510	4.000	I	425/7016	692.14	
				7.520	4.000	I	425/7017	692.14	
				7.530	4.000	I	425/7018	692.14	
L-1400	BUCKET			12.500	7.000	I	421/3592	880.14	
				12.510	7.000	I	425/7013	1100.17	
				12.520	7.000	I	425/7014	1100.17	
				12.530	7.000	I	425/7015	1100.17	
	HOIST				14.500	7.000	I	417/7149	2096.96
					14.510	7.000	I	425/7019	2329.72
					14.520	7.000	I	425/7020	2329.72
	STEERING				14.530	7.000	I	425/7021	2329.72
					7.500	4.000	I	421/9228	553.71
					7.510	4.000	I	425/7016	692.14
				7.520	4.000	I	425/7017	692.14	
			7.530	4.000	I	425/7018	692.14		

All manufacturer's names, part numbers and descriptions are used for reference purposes only. We do not imply that any part shown is the product of these manufacturers.

INDUSTRIAL
SEAL KITS

MOBILE
SEAL KITS

LETOURNEAU

Remsa [KITS]

FRONT END WHEEL LOADERS

LETOURNEAU

Model	Application	Serial Number	Cylinder Number	Bore	Rod	I	Ref. Number RLET-	\$					
						M							
L-1800	BUCKET			12.500	7.000	I	421/3592	880.14					
				12.510	7.000	I	425/7013	1100.17					
				12.520	7.000	I	425/7014	1100.17					
				12.530	7.000	I	425/7015	1100.17					
	HOIST				15.000	7.000	I	421/1399	3013.86				
					15.010	7.000	I	425/7010	3348.40				
					15.020	7.000	I	425/7011	3348.40				
					15.030	7.000	I	425/7012	3348.40				
					STEERING				7.500	4.000	I	421/9228	553.71
									7.510	4.000	I	425/7016	692.14
7.520									4.000	I	425/7017	692.14	
L-1850	BUCKET			7.530	4.000	I	425/7018	692.14					
				12.500	7.000	I	424/6388	957.47					
	HOIST				12.510	7.000	I	425/2714	1049.06				
					15.000	7.000	I	424/3965	3091.19				
	STEERING				7.500	4.500	I	425/6365	576.48				
					L-2350	HOIST		423/9416	16.000	8.000	I	424/6394	3171.61



All manufacturer's names, part numbers and descriptions are used for reference purposes only. We do not imply that any part shown is the product of these manufacturers.

INDUSTRIAL SEAL KITS

MOBILE SEAL KITS

LETOURNEAU

LETOURNEAU

FRONT END WHEEL LOADERS

Ref. Number	Desc.	Bore	Rod	\$	Ref. Number	Desc.	Bore	Rod	\$
RLET-409/4000S	SEAL KIT	6.500	3.000	174.44	RLET-424/3965-NS	SEAL KIT	15.000	7.000	3091.19
RLET-409/4004S	SEAL KIT	11.000	5.000	407.88	RLET-424/6388	SEAL KIT	12.500	7.000	957.47
RLET-409/4005S	SEAL KIT	12.000	5.000	328.21	RLET-424/6388-NS	SEAL KIT	12.500	7.000	970.21
RLET-411/1879S	SEAL KIT	11.000	7.000	344.38	RLET-424/6394	SEAL KIT	16.000	8.000	3171.61
RLET-411/6451S	SEAL KIT	11.000	7.000	340.49	RLET-425/2714	SEAL KIT	12.510	7.000	1049.06
RLET-411/6511	SEAL KIT	N/A	N/A	20.64	RLET-425/6365	SEAL KIT	7.500	4.500	576.48
RLET-411/9422S	SEAL KIT	6.500	3.500	194.25	RLET-425/7010	SEAL KIT	15.010	7.000	3348.40
RLET-416/2123	SEAL KIT	12.500	7.000	1074.57	RLET-425/7011	SEAL KIT	15.020	7.000	3348.40
RLET-416/2124	SEAL KIT	11.000	7.000	1084.27	RLET-425/7012	SEAL KIT	15.030	7.000	3348.40
RLET-416/2125	SEAL KIT	6.500	3.500	372.79	RLET-425/7013	SEAL KIT	12.510	7.000	1100.17
RLET-416/2126	SEAL KIT	7.500	3.500	480.08	RLET-425/7014	SEAL KIT	12.520	7.000	1100.17
RLET-416/2127	SEAL KIT	11.000	7.000	1084.21	RLET-425/7015	SEAL KIT	12.530	7.000	1100.17
RLET-416/2128	SEAL KIT	12.500	7.000	1289.49	RLET-425/7016	SEAL KIT	7.510	4.000	692.14
RLET-416/2128HT	SEAL KIT	12.500	7.000	1289.49	RLET-425/7017	SEAL KIT	7.520	4.000	692.14
RLET-417/7144	SEAL KIT	8.000	4.000	591.92	RLET-425/7018	SEAL KIT	7.530	4.000	692.14
RLET-417/7149	SEAL KIT	14.500	7.000	2096.96	RLET-425/7019	SEAL KIT	14.510	7.000	2329.72
RLET-421/1398	SEAL KIT	7.000	4.000	459.38	RLET-425/7020	SEAL KIT	14.520	7.000	2329.72
RLET-421/1399	SEAL KIT	15.000	7.000	3013.86	RLET-425/7021	SEAL KIT	14.530	7.000	2329.72
RLET-421/3592	SEAL KIT	12.500	7.000	880.14	RLET-425/7022	SEAL KIT	12.510	7.000	1100.17
RLET-421/3977	SEAL KIT	12.500	7.000	880.14	RLET-425/7023	SEAL KIT	12.520	7.000	1100.17
RLET-421/3977HT	SEAL KIT	12.500	7.000	880.14	RLET-425/7024	SEAL KIT	12.530	7.000	1100.17
RLET-421/9228	SEAL KIT	7.500	4.000	553.71	RLET-425/7025	SEAL KIT	7.510	3.500	600.10
RLET-424/1231	SEAL KIT	13.500	7.000	1608.07	RLET-425/7026	SEAL KIT	7.520	3.500	600.10
RLET-424/1244	SEAL KIT	7.000	4.000	697.68	RLET-425/7027	SEAL KIT	7.530	3.500	600.10
RLET-424/3965	SEAL KIT	15.000	7.000	3091.19	RLET-P16/2860	SEAL KIT	N/A	N/A	23.21

INDUSTRIAL
SEAL KITS

MOBILE
SEAL KITS

LIEBHERR

KITS

Ref. Number	Desc.	Bore	Rod	\$	Ref. Number	Desc.	Bore	Rod	\$
RLIE-13017/J/1	SEAL KIT	8, 10.500	6, 9.000	1945.29	RLIE-9061404	SEAL KIT		60.00	98.07
RLIE-13017/K/1	SEAL KIT	10, 13.000	7.5, 11.000	875.15	RLIE-9061471	SEAL KIT		140.00	306.34
RLIE-13017/L/1	SEAL KIT	9.000/13.000	6.750/10.500	2182.27	RLIE-9062172	SEAL KIT	80.00		80.84
RLIE-13029/C/1	SEAL KIT	5.500	2.750	62.68	RLIE-9062256	SEAL KIT		70.00	87.63
RLIE-51784/M/1	SEAL KIT	N/A	12.000	792.96	RLIE-9062534	SEAL KIT		95.00	254.27
RLIE-51784/N/1	SEAL KIT	N/A	12.000	792.96	RLIE-9062632	SEAL KIT	180.00	N/A	178.05
RLIE-5708/876/08	SEAL KIT	160.00	N/A	178.88	RLIE-9062821	SEAL KIT	170.00	N/A	250.62
RLIE-9060195	SEAL KIT		85.00	119.82	RLIE-9062932	SEAL KIT		50.00	46.28
RLIE-9060196	SEAL KIT	N/A	90.00	176.70	RLIE-9062984	SEAL KIT		140.00	268.21
RLIE-9060197	SEAL KIT		95.00	150.10	RLIE-9062985	SEAL KIT		125.00	189.47
RLIE-9060977	SEAL KIT	125.00	N/A	137.48	RLIE-9063136	SEAL KIT		95.00	258.89
RLIE-9061003	SEAL KIT		105.00	170.72	RLIE-9063162	SEAL KIT		50.00	85.91
RLIE-9061030	SEAL KIT		50.00	83.11	RLIE-9063172	SEAL KIT		70.00	127.25
RLIE-9061380	SEAL KIT	90.00		79.44	RLIE-9063173	SEAL KIT		80.00	241.45
RLIE-9061381	SEAL KIT		40.00	51.78	RLIE-9063270	SEAL KIT		36.00	52.21
RLIE-9061383	SEAL KIT	80.00		41.22	RLIE-9063423	SEAL KIT		30.00	26.05

All manufacturer's names, part numbers and descriptions are used for reference purposes only. We do not imply that any part shown is the product of these manufacturers.

LETOURNEAU - LIEBHERR

KITS

LIEBHERR

Ref. Number	Desc.	Bore	Rod	\$	Ref. Number	Desc.	Bore	Rod	\$
RLIE-9063449	SEAL KIT		60.00	73.20	RLIE-9165440	SEAL KIT	150.00	N/A	316.84
RLIE-9063452	SEAL KIT	110.00		60.71	RLIE-9165441	SEAL KIT	100.00	N/A	184.46
RLIE-9063464	SEAL KIT	70.00	N/A	43.21	RLIE-9169653	SEAL KIT	170.00	N/A	367.34
RLIE-9063465	SEAL KIT		40.00	41.22	RLIE-9169654	SEAL KIT	180.00	N/A	415.02
RLIE-9063554	SEAL KIT		50.00	85.91	RLIE-9169656	SEAL KIT		110.00	265.70
RLIE-9063688	SEAL KIT		110.00	199.05	RLIE-9170257	SEAL KIT	200.00	N/A	431.73
RLIE-9063709	SEAL KIT		85.00	123.81	RLIE-9170258	SEAL KIT		110.00	386.76
RLIE-9063712	SEAL KIT	90.00		41.34	RLIE-9170276	SEAL KIT		140.00	330.39
RLIE-9063757	SEAL KIT		80.00	124.76	RLIE-9171670	SEAL KIT		80.00	214.20
RLIE-9063832	SEAL KIT	N/A	95.00	172.42	RLIE-9171671	SEAL KIT	130.00		137.15
RLIE-9064091	SEAL KIT		125.00	210.89	RLIE-9172117	SEAL KIT		70.00	133.39
RLIE-9064496	SEAL KIT		75.00	123.90	RLIE-9172118	SEAL KIT		80.00	232.64
RLIE-9064577	SEAL KIT		75.00	122.61	RLIE-9172119	SEAL KIT		90.00	149.19
RLIE-9064914	SEAL KIT	70.00		28.73	RLIE-9172122	SEAL KIT		70.00	68.01
RLIE-9111341	SEAL KIT	130.00		151.28	RLIE-9172123	SEAL KIT		110.00	265.02
RLIE-9111605	SEAL KIT	120.00		154.79	RLIE-9172577	SEAL KIT	120.00		137.54
RLIE-9113131	SEAL KIT	150.00		160.40	RLIE-9174142	SEAL KIT	100.00		94.85
RLIE-9113343	SEAL KIT	115.00		113.89	RLIE-9174143	SEAL KIT		60.00	70.18
RLIE-9113351	SEAL KIT	85.00		81.06	RLIE-9174200	SEAL KIT	100.00		118.06
RLIE-9114673	SEAL KIT		60.00	74.82	RLIE-9174519	SEAL KIT		70.00	93.66
RLIE-9116590	SEAL KIT		70.00	57.16	RLIE-9174575	SEAL KIT		80.00	125.12
RLIE-9124375	SEAL KIT	85.00		74.29	RLIE-9177617	SEAL KIT		60.00	79.98
RLIE-9124376	SEAL KIT		50.00	68.57	RLIE-9179503	SEAL KIT	150.00		150.17
RLIE-9144401	SEAL KIT		95.00	988.31	RLIE-9193515	SEAL KIT		70.00	119.49
RLIE-9154141	SEAL KIT	160.00		189.09	RLIE-9196096	SEAL KIT		80.00	180.85
RLIE-9154605	SEAL KIT	85.00		86.35	RLIE-9265064	SEAL KIT		130.00	987.58
RLIE-9154606	SEAL KIT		36.00	39.18	RLIE-9265132	SEAL KIT		95.00	2400.88
RLIE-9155154	SEAL KIT	N/A	50.00	95.86	RLIE-9285577	SEAL KIT	135.00		161.26
RLIE-9155949	SEAL KIT	70.00		43.60	RLIE-9285625	SEAL KIT		85.00	161.80
RLIE-9156042	SEAL KIT	100.00		54.80	RLIE-9374710	SEAL KIT	160.00	140.00	252.52
RLIE-9156782	SEAL KIT	150.00	N/A	146.17	RLIE-9581868	SEAL KIT		100.00	149.53
RLIE-9156961	SEAL KIT	230.00		794.27	RLIE-9583532	SEAL KIT		70.00	80.63
RLIE-9156962	SEAL KIT		170.00	945.86	RLIE-9592551	SEAL KIT		80.00	53.72
RLIE-9158084	SEAL KIT		50.00	86.87	RLIE-9596597	SEAL KIT		100.00	210.99
RLIE-9158144	SEAL KIT	N/A	110.00	356.14	RLIE-9951829	SEAL KIT		70.00	102.80
RLIE-9158145	SEAL KIT		125.00	172.82	RLIE-9951831	SEAL KIT	105.00		114.43
RLIE-9158175	SEAL KIT	N/A	85.00	121.39	RLIE-9967796	SEAL KIT		90.00	156.30
RLIE-9158310	SEAL KIT		85.00	60.39	RLIE-S1337/13493	STEERING PUMP S. KIT/N/A		N/A	143.15
RLIE-9158311	SEAL KIT		105.00	186.34					
RLIE-9158397	SEAL KIT		90.00	178.16					
RLIE-9158674	SEAL KIT		100.00	243.76					
RLIE-9159131	SEAL KIT	100.00		110.47					
RLIE-9159132	SEAL KIT		70.00	121.88					
RLIE-9159680	SEAL KIT		60.00	116.69					
RLIE-9159705	SEAL KIT	210.00		261.29					
RLIE-9159738	SEAL KIT		50.00	87.95					
RLIE-9159739	SEAL KIT		150.00	1045.61					
RLIE-9165363	SEAL KIT	140.00	N/A	295.25					

All manufacturer's names, part numbers and descriptions are used for reference purposes only. We do not imply that any part shown is the product of these manufacturers.

INDUSTRIAL
SEAL KITS

MOBILE
SEAL KITS

LIEBHERR

Remsa [KITS]

LINK BELT

KITS

Ref. Number	Desc.	Bore	Rod	\$	Ref. Number	Desc.	Bore	Rod	\$
RLB-3J12501	SEAL KIT	3.500	1.500	134.53	RLB-LQU/0012	SEAL KIT	125.00	85.00	275.97
RLB-3J13528	SEAL KIT	8.000	5.500	293.03	RLB-LQU/0015	SEAL KIT	110.00	70.00	214.48
RLB-3X/0082	SEAL KIT	2.500	1.500	18.92	RLB-LQU/0017	SEAL KIT	160.00	110.00	357.53
RLB-3X/0106	SEAL KIT	4.500	3.500	16.49	RLB-LQU/0020	SEAL KIT	125.00	85.00	265.50
RLB-3X/0256	SEAL KIT	8.000	5.500	192.14	RLB-LQU/0021	SEAL KIT	140.00	100.00	333.26
RLB-3X/0264	SEAL KIT	3.000	1.125	17.96	RLB-LQU/0022	SEAL KIT	120.00	80.00	276.38
RLB-3X/0415	SEAL KIT	130.00	90.00	194.81	RLB-LQU/0028	SEAL KIT	140.00	90.00	310.84
RLB-587V305	SEAL KIT	7.500	4.500	244.89	RLB-LQU/0029	SEAL KIT	150.00	105.00	356.80
RLB-LQU/0008	SEAL KIT	150.00	100.00	352.68	RLB-LQU/0030	SEAL KIT	130.00	90.00	276.38
RLB-LQU/0009	SEAL KIT	160.00	110.00	373.94	RLB-LQU/0037	SEAL KIT	130.00	85.00	259.48
RLB-LQU/0010	SEAL KIT	140.00	95.00	241.28	RLB-LZ/00437	SEAL KIT	115.00	80.00	259.12
RLB-LQU/0011	SEAL KIT	110.00	70.00	236.56					

LOGMAX

KITS

Ref. Number	Desc.	Bore	Rod	\$	Ref. Number	Desc.	Bore	Rod	\$
RLOG-620003	SEAL KIT	25.00	16.00	48.61	RLOG-620084	SEAL KIT	63.00	32.00	100.37
RLOG-620070	SEAL KIT	40.00	20.00	47.83	RLOG-620085	SEAL KIT	63.00	40.00	111.04
					RLOG-620090	SEAL KIT	80.00	50.00	131.17

INDUSTRIAL
SEAL KITS

MOBILE
SEAL KITS

L.BELT - LOGMAX

All manufacturer's names, part numbers and descriptions are used for reference purposes only. We do not imply that any part shown is the product of these manufacturers.

Remsa [KITS]

INDUSTRIAL
SEAL KITS

MOBILE
SEAL KITS



All manufacturer's names, part numbers and descriptions are used for reference purposes only. We do not imply that any part shown is the product of these manufacturers.

MITSUBISHI

EXCAVATOR

Model	Application	Cylinder Number	Bore	Rod	I	Ref. Number RMIT-	\$
					M		
MS110-5, MS110D-5, MS110L-5, MS110S-5	ARM	C25320004, C25320005	120.00	80.00	M	C75300020	240.30
	BOOM	C25300104	110.00	70.00	M	C75300010	221.95
	BUCKET	C25340004, C25340005	110.00	65.00	M	C75300030	219.35
MS-120-2, MS120S-2, MS120SS-2	ARM	C65320002, C65320003, C65320004	120.00	80.00	M	C65300022	281.57
	BOOM	C65300102, C65300103, C65300104	110.00	75.00	M	C65300012	308.71
	BUCKET	C65340003, C65340004, C6530005	110.00	70.00	M	C65300032	295.23
MS-180-3, MS-180LC-3, MS-180S-3	ARM	E35300201	130.00	90.00	M	E15300023	273.86
	BOOM	E35300101	125.00	85.00	M	E15300013	260.93
	BUCKET	E35300301	120.00	75.00	M	E15300033	231.21
MS-180-8	ARM	E75300301	140.00	100.00	M	E75300010	346.56
	BOOM	E75300101, E75300201	125.00	85.00	M	E35300040	290.36
	BUCKET	E75300401	125.00	85.00	M	E35300040	290.36

MITSUBISHI

KIT LISTING

Ref. Number	Desc.	Bore	Rod	\$	Ref. Number	Desc.	Bore	Rod	\$
RMIT-91254-10330	SEAL KIT	45.00	22.00	41.69	RMIT-94304-10140	SEAL KIT	80.00	35.00	32.44
RMIT-91254-30330	SEAL KIT	45.00	22.00	36.73	RMIT-94314-00110	SEAL KIT	80.00	65.00	68.90
RMIT-91255-11120	SEAL KIT	45.00	22.40	37.08	RMIT-94319-00018	SEAL KIT		60.00	22.34
RMIT-91854-15310	SEAL KIT	55.00	25.00	33.42	RMIT-94319-00038	SEAL KIT		85.00	36.23
RMIT-91854-40230	SEAL KIT	55.00	25.00	43.17	RMIT-94319-00068	SEAL KIT		40.00	15.71
RMIT-93051-10068	SEAL KIT	50.00	40.00	45.32	RMIT-94319-00088	SEAL KIT		40.00	50.06
RMIT-94004-00120	SEAL KIT		30.00	34.13	RMIT-94351-00018	SEAL KIT		80.00	29.74
RMIT-94004-00130	SEAL KIT	63.00		52.73	RMIT-94351-00028	SEAL KIT	55.00	45.00	91.82
RMIT-94104-00110	SEAL KIT	70.00		66.05	RMIT-94351-00038	SEAL KIT		85.00	59.80
RMIT-94104-00170	SEAL KIT	63.00	30.00	47.87	RMIT-94351-00068	SEAL KIT		85.00	56.51
RMIT-94114-00110	SEAL KIT	70.00	50.00	76.85	RMIT-94362-00018	SEAL KIT	55.00	45.00	91.82
RMIT-94114-00210	SEAL KIT	70.00	60.00	90.67	RMIT-94404-00120	SEAL KIT	90.00	45.00	53.52
RMIT-94119-00018	SEAL KIT		70.00	40.86	RMIT-94404-10140	SEAL KIT	80.00	40.00	82.84
RMIT-94119-00048	SEAL KIT		50.00	19.31	RMIT-94404-10160	SEAL KIT	90.00	40.00	66.58
RMIT-94119-00068	SEAL KIT		32.00	35.33	RMIT-94504-02090	SEAL KIT	100.00	40.00	44.39
RMIT-94133-00018	SEAL KIT	50.00	40.00	60.66	RMIT-C65300012	SEAL KIT	110.00	75.00	308.71
RMIT-94151-00018	SEAL KIT		70.00	43.39	RMIT-C65300022	SEAL KIT	120.00	80.00	281.57
RMIT-94151-00028	SEAL KIT		70.00	46.71	RMIT-C65300032	SEAL KIT	110.00	70.00	295.23
RMIT-94162-00018	SEAL KIT	45.00	35.00	40.07	RMIT-C75300010	SEAL KIT	110.00	70.00	221.95
RMIT-94204-10120	SEAL KIT	70.00	35.00	22.51	RMIT-C75300020	SEAL KIT	120.00	80.00	240.30
RMIT-94219-00018	SEAL KIT		35.00	14.69	RMIT-C75300030	SEAL KIT	110.00	65.00	219.35
RMIT-94219-00028	SEAL KIT		35.00	23.77	RMIT-E15300013	SEAL KIT	125.00	85.00	260.93
RMIT-94251-00018	SEAL KIT		75.00	42.58	RMIT-E15300023	SEAL KIT	130.00	90.00	273.86
RMIT-94251-00038	SEAL KIT		75.00	56.62	RMIT-E15300033	SEAL KIT	120.00	75.00	231.21
RMIT-94251-00058	SEAL KIT		75.00	44.13	RMIT-E25300061	SEAL KIT	140.00	90.00	381.59
RMIT-94262-00028	SEAL KIT	50.00	40.00	78.97	RMIT-E35300040	SEAL KIT	125.00	85.00	290.36
RMIT-94304-00110	SEAL KIT	80.00		73.34	RMIT-E75300010	SEAL KIT	140.00	100.00	346.56

All manufacturer's names, part numbers and descriptions are used for reference purposes only. We do not imply that any part shown is the product of these manufacturers.

ROD WIPER

MITSUBISHI

Ref.Number	Description	\$	Ref.Number	Description	\$
RMIT-05566-13030	30.00 - ROD WIPER	14.46	RMIT-A04501420	80.00 - ROD WIPER	38.15
RMIT-05566-13530	35.00 - ROD WIPER	15.26	RMIT-E15300392	85.00 - ROD WIPER	43.30
RMIT-64374-79200	40.00 - ROD WIPER	18.64	RMIT-E35300127	85.00 - ROD WIPER	43.30
RMIT-A04500812	50.00 - ROD WIPER	20.49	RMIT-1853094	90.00 - ROD WIPER	46.81
RMIT-A04501417	65.00 - ROD WIPER	28.04	RMIT-A04501422	90.00 - ROD WIPER	46.81
RMIT-A04500815	70.00 - ROD WIPER	30.09	RMIT-F25340118	90.00 - ROD WIPER	46.81
RMIT-A04500822	70.00 - ROD WIPER	30.09	RMIT-E85300320	95.00 - ROD WIPER	47.88
RMIT-A04501418	70.00 - ROD WIPER	30.09	RMIT-1853143	100.00 - ROD WIPER	49.15
RMIT-C45300148	75.00 - ROD WIPER	32.35	RMIT-A04501423	100.00 - ROD WIPER	49.15
RMIT-E35300325	75.00 - ROD WIPER	32.35	RMIT-F15302319	100.00 - ROD WIPER	15.78
RMIT-1853252	80.00 - ROD WIPER	7.62	RMIT-F25340058	100.00 - ROD WIPER	49.15
RMIT-A04500817	80.00 - ROD WIPER	38.15	RMIT-A04903618	110.00 - ROD WIPER	50.35

BUFFER RING

MITSUBISHI

RMIT-05566-03520	35.00 - BUFFER RING	3.57	RMIT-A04600813	80.00 - BUFFER RING	12.08
RMIT-A04600815	50.00 - BUFFER RING	8.22	RMIT-A04601017	80.00 - BUFFER RING	33.18
RMIT-A04600811	65.00 - BUFFER RING	9.62	RMIT-E15300372	85.00 - BUFFER RING	31.53
RMIT-A04601014	65.00 - BUFFER RING	27.00	RMIT-E85300140	85.00 - BUFFER RING	29.31
RMIT-A04600812	70.00 - BUFFER RING	10.86	RMIT-A04601024	90.00 - BUFFER RING	34.68
RMIT-A04601015	70.00 - BUFFER RING	29.46	RMIT-E85300344	95.00 - BUFFER RING	32.44
RMIT-A04601016	75.00 - BUFFER RING	31.33	RMIT-A04601025	100.00 - BUFFER RING	36.36
RMIT-E15302312	75.00 - BUFFER RING	29.63	RMIT-F15302316	100.00 - BUFFER RING	36.36
RMIT-E85300437	75.00 - BUFFER RING	26.25	RMIT-A04601018	110.00 - BUFFER RING	50.36

ROD SEAL

MITSUBISHI

RMIT-A04600911	45.00 - ROD SEAL	10.66	RMIT-E15301215	85.00 - ROD SEAL	9.94
RMIT-A04600912	50.00 - ROD SEAL	14.50	RMIT-E35301915	85.00 - ROD SEAL	24.10
RMIT-A04600914	65.00 - ROD SEAL	16.96	RMIT-E35301916	85.00 - ROD SEAL	9.94
RMIT-A04600915	70.00 - ROD SEAL	16.67	RMIT-1853057	90.00 - ROD SEAL	17.31
RMIT-A04700415	70.00 - ROD SEAL	8.24	RMIT-1853239	90.00 - ROD SEAL	17.31
RMIT-7953042	75.00 - ROD SEAL	21.91	RMIT-A04600925	90.00 - ROD SEAL	25.65
RMIT-A04600918	75.00 - ROD SEAL	20.29	RMIT-A04700423	90.00 - ROD SEAL	9.94
RMIT-C45300134	75.00 - ROD SEAL	8.24	RMIT-E15301116	90.00 - ROD SEAL	9.94
RMIT-E35302115	75.00 - ROD SEAL	19.93	RMIT-E85300317	95.00 - ROD SEAL	27.08
RMIT-E35302116	75.00 - ROD SEAL	8.24	RMIT-E85300318	95.00 - ROD SEAL	9.94
RMIT-1853083	80.00 - ROD SEAL	24.10	RMIT-1853136	100.00 - ROD SEAL	29.36
RMIT-A04600917	80.00 - ROD SEAL	22.19	RMIT-A04600926	100.00 - ROD SEAL	20.51
RMIT-A04700417	80.00 - ROD SEAL	9.94	RMIT-A04700424	100.00 - ROD SEAL	11.56
RMIT-48-7953142	85.00 - ROD SEAL	24.94	RMIT-94319-02400	112.00 - ROD SEAL	30.30
RMIT-7953142	85.00 - ROD SEAL	24.94			

All manufacturer's names, part numbers and descriptions are used for reference purposes only. We do not imply that any part shown is the product of these manufacturers.

INDUSTRIAL SEAL KITS

MOBILE SEAL KITS

MITSUBISHI

MITSUBISHI

GUIDE ELEMENT

Ref.Number	Description	\$	Ref.Number	Description	\$
RMIT-E85300345	100.00 - GUIDE ELEMENT	14.79	RMIT-E35301921	125.00 - GUIDE ELEMENT	24.56
RMIT-A04903612	110.00 - GUIDE ELEMENT	12.92	RMIT-E85300326	130.00 - GUIDE ELEMENT	11.51
RMIT-E85300420	115.00 - GUIDE ELEMENT	12.92	RMIT-E85300438	130.00 - GUIDE ELEMENT	24.56
RMIT-E85300440	115.00 - GUIDE ELEMENT	9.60	RMIT-A04901915	140.00 - GUIDE ELEMENT	37.11
RMIT-A04901912	120.00 - GUIDE ELEMENT	21.80	RMIT-A04903616	140.00 - GUIDE ELEMENT	24.56
RMIT-A04903613	120.00 - GUIDE ELEMENT	12.92	RMIT-E75300323	140.00 - GUIDE ELEMENT	24.56
RMIT-E85300120	120.00 - GUIDE ELEMENT	24.56	RMIT-A04901916	150.00 - GUIDE ELEMENT	36.07
RMIT-E85300136	120.00 - GUIDE ELEMENT	10.34	RMIT-A04903617	150.00 - GUIDE ELEMENT	24.56

MITSUBISHI

PISTON SEAL

RMIT-05565-07010	70.00 - PISTON SEAL	20.22	RMIT-E15300386	125.00 - PISTON SEAL	48.05
RMIT-A04601211	70.00 - PISTON SEAL	75.47	RMIT-E35301920	125.00 - PISTON SEAL	39.86
RMIT-05565-08010	80.00 - PISTON SEAL	22.90	RMIT-2153243	130.00 - PISTON SEAL	48.05
RMIT-A04601213	90.00 - PISTON SEAL	88.05	RMIT-E85300347	130.00 - PISTON SEAL	41.24
RMIT-A04601215	110.00 - PISTON SEAL	113.19	RMIT-4653414	140.00 - PISTON SEAL	55.40
RMIT-A04601311	110.00 - PISTON SEAL	51.13	RMIT-A04601314	140.00 - PISTON SEAL	72.49
RMIT-E85300439	115.00 - PISTON SEAL	39.86	RMIT-E75300322	140.00 - PISTON SEAL	47.09
RMIT-A04601216	120.00 - PISTON SEAL	113.19	RMIT-1853063	150.00 - PISTON SEAL	61.76
RMIT-A04601312	120.00 - PISTON SEAL	53.27	RMIT-A04601315	150.00 - PISTON SEAL	78.85
RMIT-C45300229	120.00 - PISTON SEAL	44.28	RMIT-4653514	160.00 - PISTON SEAL	66.57
RMIT-E85300137	120.00 - PISTON SEAL	39.86	RMIT-A04601719	160.00 - PISTON SEAL	89.56

MITSUBISHI

BACKUP RING

RMIT-05568-90700	REPLACEMENT BACKUP RING	6.35	RMIT-E15302093	REPLACEMENT BACKUP RING	6.13
RMIT-05568-90800	REPLACEMENT BACKUP RING	3.59	RMIT-E25310020	REPLACEMENT BACKUP RING	7.45
RMIT-4653425	REPLACEMENT BACKUP RING	7.06	RMIT-E35300217	REPLACEMENT BACKUP RING	6.11
RMIT-4653623	REPLACEMENT BACKUP RING	6.11	RMIT-E35300315	REPLACEMENT BACKUP RING	5.60
RMIT-4753177	REPLACEMENT BACKUP RING	17.65	RMIT-E35301917	REPLACEMENT BACKUP RING	6.25
RMIT-94153-07300	REPLACEMENT BACKUP RING	6.69	RMIT-E35302130	REPLACEMENT BACKUP RING	6.25
RMIT-A04700312	REPLACEMENT BACKUP RING	5.05	RMIT-E75300317	REPLACEMENT BACKUP RING	17.96
RMIT-A04700313	REPLACEMENT BACKUP RING	5.60	RMIT-E75300318	REPLACEMENT BACKUP RING	6.50
RMIT-A04700314	REPLACEMENT BACKUP RING	3.17	RMIT-E85300321	REPLACEMENT BACKUP RING	6.33
RMIT-A04700315	REPLACEMENT BACKUP RING	4.13	RMIT-E85300416	REPLACEMENT BACKUP RING	6.13
RMIT-A04700324	REPLACEMENT BACKUP RING	7.06	RMIT-F15300921	REPLACEMENT BACKUP RING	7.06
RMIT-A04700325	REPLACEMENT BACKUP RING	5.45	RMIT-F15301418	REPLACEMENT BACKUP RING	7.06
RMIT-E15301130	REPLACEMENT BACKUP RING	5.84			

All manufacturer's names, part numbers and descriptions are used for reference purposes only. We do not imply that any part shown is the product of these manufacturers.

Remsa [KITS]

ORING

mitsubishi

Ref.Number	Description	\$	Ref.Number	Description	\$
RMIT-2153222	REPLACEMENT ORING	5.71	RMIT-Z440201200	REPLACEMENT ORING	5.43
RMIT-4753176	REPLACEMENT ORING	4.37	RMIT-Z440201250	REPLACEMENT ORING	5.52
RMIT-7953122	REPLACEMENT ORING	5.71	RMIT-Z440201300	REPLACEMENT ORING	5.55
RMIT-91254-06300	REPLACEMENT ORING	0.21	RMIT-Z440201400	REPLACEMENT ORING	5.71
RMIT-94004-00900	REPLACEMENT ORING	1.86	RMIT-Z440201500	REPLACEMENT ORING	6.92
RMIT-F315004900	REPLACEMENT ORING	0.69	RMIT-Z440201550	REPLACEMENT ORING	9.99
RMIT-F315006000	REPLACEMENT ORING	2.58	RMIT-Z441001150	REPLACEMENT ORING	2.15
RMIT-F315007000	REPLACEMENT ORING	3.30	RMIT-Z441101000	REPLACEMENT ORING	1.57
RMIT-F315304000	REPLACEMENT ORING	0.52	RMIT-Z441101050	REPLACEMENT ORING	2.09
RMIT-F315305000	REPLACEMENT ORING	2.44	RMIT-Z441101100	REPLACEMENT ORING	6.82
RMIT-Z440101000	REPLACEMENT ORING	4.03	RMIT-Z441101150	REPLACEMENT ORING	2.07
RMIT-Z440101100	REPLACEMENT ORING	5.24	RMIT-Z441101200	REPLACEMENT ORING	2.15
RMIT-Z440200600	REPLACEMENT ORING	2.58	RMIT-Z441101250	REPLACEMENT ORING	7.38
RMIT-Z440200800	REPLACEMENT ORING	3.77	RMIT-Z441101300	REPLACEMENT ORING	2.21
RMIT-Z440201100	REPLACEMENT ORING	5.24	RMIT-Z441101450	REPLACEMENT ORING	2.66
RMIT-Z440201150	REPLACEMENT ORING	5.32	RMIT-Z441101600	REPLACEMENT ORING	18.91



All manufacturer's names, part numbers and descriptions are used for reference purposes only. We do not imply that any part shown is the product of these manufacturers.

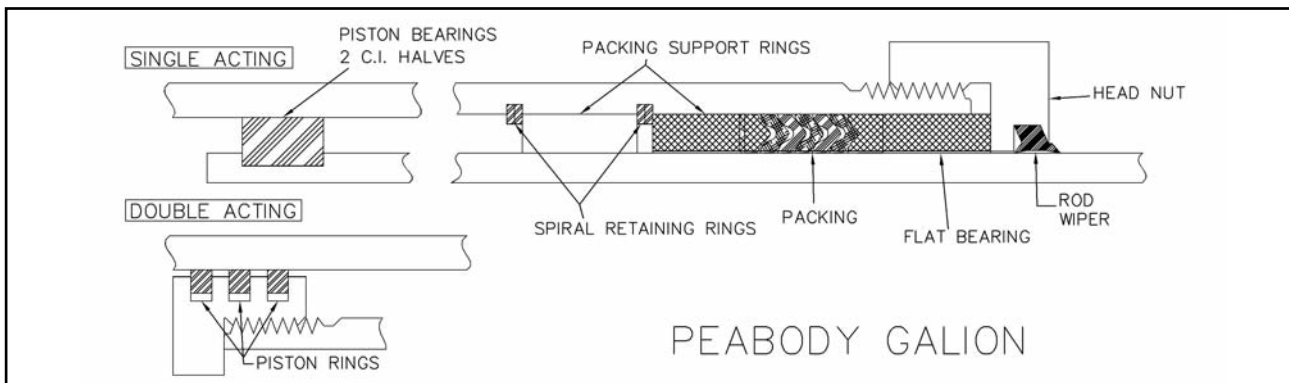
INDUSTRIAL
SEAL KITS

MOBILE
SEAL KITS

MITSUBISHI

PEABODY GALION

TELESCOPIC CYLINDERS



STAGE O.D.'S:	1.970, 2.970, 3.970, 4.970, 5.970, 6.970, 7.970, 9.125"
IDENTIFICATION:	CYLINDER MODEL NUMBER STAMPED INTO "STEADREST" AREA NEAR GLAND COLLAR ON BODY.
ROD WIPERS:	POLYURETHANE - TRAPPED BETWEEN HEADNUT AND TOP BEARING (1)
BEARINGS:	NYLON - FLAT (2)
PACKING:	VEE PACKING - ALL 0.265"
PISTON:	SINGLE ACTING- 2 HALF - MOON SHAPED CAST IRON BEARING DOUBLE ACTING - CAST IRON PISTON RINGS (3)
SPECIAL INFORMATION:	SECTION DIAMETERS ALL 0.030" UNDER NOMINAL INCH EXCEPT 9.125". ALL SECTIONS BORES 0.020" OVER NOMINAL HALF-INCH.

V.set & Wiper

Ref. Number	Desc.	\$
RPG-01970VW	01.970" STAGE - V.SET & WIPER	14.10
RPG-02970VW	02.970" STAGE - V.SET & WIPER	18.41
RPG-03970VW	03.970" STAGE - V.SET & WIPER	23.39
RPG-04970VW	04.970" STAGE - V.SET & WIPER	30.41
RPG-05970VW	05.970" STAGE - V.SET & WIPER	37.25
RPG-06970VW	06.970" STAGE - V.SET & WIPER	33.80
RPG-07970VW	07.970" STAGE - V.SET & WIPER	52.18
RPG-09125VW	09.125" STAGE - V.SET & WIPER	64.59

V.Sets, Wipers & Bearings

Ref. Number	Desc.	\$
RPG-02970VWB	02.970" STAGE - V.SET,WIPER & BRG.	33.38
RPG-03970VWB	03.970" STAGE - V.SET,WIPER & BRG.	38.36
RPG-04970VWB	04.970" STAGE - V.SET,WIPER & BRG.	48.38
RPG-05970VWB	05.970" STAGE - V.SET,WIPER & BRG.	61.44
RPG-06970VWB	06.970" STAGE - V.SET,WIPER & BRG.	73.83
RPG-07970VWB	07.970" STAGE - V.SET,WIPER & BRG.	97.69
RPG-09125VWB	09.125" STAGE - V.SET,WIPER & BRG.	141.90

Spiral Retainer Rings

Ref. Number	Desc.	\$
RPG-10/5304	01.970" STAGE - SPIRAL R.RING	4.49
RPG-10/25689	02.970" STAGE - SPIRAL R.RING	10.12
RPG-10/25688	03.970" STAGE - SPIRAL R.RING	9.24
RPG-10/25687	04.970" STAGE - SPIRAL R.RING	9.46
RPG-10/25686	05.970" STAGE - SPIRAL R.RING	7.32
RPG-10/25718	06.970" STAGE - SPIRAL R.RING	9.70
RPG-10/25729	07.970" STAGE - SPIRAL R.RING	20.14
RPG-10/26982	09.125" STAGE - SPIRAL R.RING	35.29

Piston Ring - Cast Iron

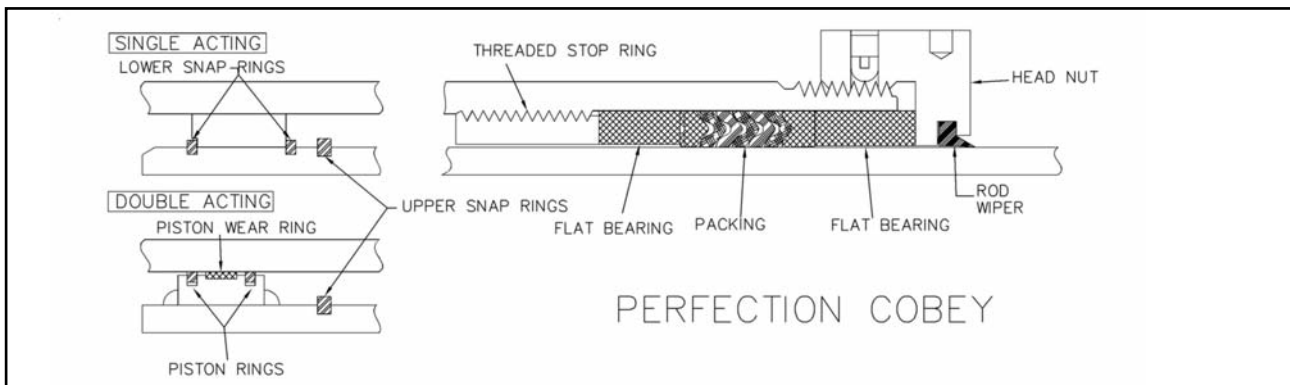
(Double acting cylinders only)

Ref. Number	Desc.	\$
RPG-10/25892	02.970" STAGE - PISTON RING	10.61
RPG-10/25880	03.970" STAGE - PISTON RING	10.81
RPG-10/25868	04.970" STAGE - PISTON RING	15.25
RPG-10/25867	05.970" STAGE - PISTON RING	35.30
RPG-10/25866	06.970" STAGE - PISTON RING	42.05
RPG-10/25891	07.970" STAGE - PISTON RING	49.29

All manufacturer's names, part numbers and descriptions are used for reference purposes only. We do not imply that any part shown is the product of these manufacturers.

TELESCOPIC CYLINDERS

PERFECTION COBEY



STAGE O.D.'S: 2.580, 3.580, 4.580, 5.445, 6.445, 7.445, 8.445"
 IDENTIFICATION: CYLINDER MODEL NUMBER AND SERIAL NUMBER STAMPED ON CULINDER BODY NEAR BASE
 ROD WIPERS: POLYURETHANE - SNAP IN TYPE (1)
 BEARINGS: BRONZE (AFTER MARKET NYLON) - FLAT (2)
 NOTE: 3.000" THROUGH 6.000" SECTIONS - ABOVE AND BELOW PACKING
 7.000 AND 8.000" SECTIONS - ABOVE ONLY
 PACKING: VEE PACKING UP TO 5.000" - 0.265" C/S
 OVER 5.000" - 0.250" C/S
 PISTON: SINGLE ACTING - BRONZE BEARING HELD IN PLACE BY 2 SNAP RINGS
 DOUBLE ACTING - C.I. PISTON RINGS (2)
 SPECIAL INFORMATION: THREADED INTERNAL STOP RING WITH TWO FLATS FOR SPANNER WRENCH

Packing & Wiper

Bearing - Nylon

Ref. Number	Desc.	\$	Ref. Number	Desc.	\$
RPC-02580VW	02.580" STAGE - V.SET & WIPER	16.19	RPC-03580BRF	03.580" STAGE - BEARING	21.35
RPC-03580VW	03.580" STAGE - V.SET & WIPER	32.95	RPC-04580BRF	04.580" STAGE - BEARING	26.00
RPC-04580VW	04.580" STAGE - V.SET & WIPER	39.22	RPC-05445BRF	05.445" STAGE - BEARING	28.18
RPC-05445VW	05.445" STAGE - V.SET & WIPER	39.84	RPC-06445BRF	06.445" STAGE - BEARING	31.09
RPC-06445VW	06.445" STAGE - V.SET & WIPER	53.58	RPC-07445BRF	07.445" STAGE - BEARING	33.12
RPC-07445VW	07.445" STAGE - V.SET & WIPER	60.30			
RPC-08445VW	08.445" STAGE - V.SET & WIPER	164.79			

Packing & Wipers - Multiple Stages

Ref. Number	Desc.	\$
RPC-35VW	2.580 - 4.580" - V.SET & WIPER	88.76
RPC-46VW	3.580 - 5.445" - V.SET & WIPER	112.92
RPC-47VW	3.580 - 6.445" - V.SET & WIPER	167.16
RPC-48VW	3.580 - 7.445" - V.SET & WIPER	228.29
RPC-49VW	3.580 - 8.445" - V.SET & WIPER	401.14
RPC-57VW	4.580 - 6.445" - V.SET & WIPER	133.79
RPC-58VW	4.580 - 7.445" - V.SET & WIPER	194.91
RPC-59VW	4.580 - 8.445" - V.SET & WIPER	350.29

All manufacturer's names, part numbers and descriptions are used for reference purposes only. We do not imply that any part shown is the product of these manufacturers.

PIERCE PACIFIC

KITS

Ref. Number	Desc.	Bore	Rod	\$	Ref. Number	Desc.	Bore	Rod	\$
RPIE-006/0462	SEAL KIT	6.500	4.250	349.73	RPIE-009/1543	SEAL KIT	6.000	3.750	316.72
RPIE-009/0011	SEAL KIT	N/A	2.500	21.32	RPIE-009/1544	SEAL KIT	6.500	4.250	445.12
RPIE-009/0212	SEAL KIT	6.000	3.750	272.98	RPIE-009/1549	SEAL KIT	5.500	4.000	313.06
RPIE-009/0213	SEAL KIT	7.000	4.750	353.51	RPIE-009/1571	SEAL KIT	7.750	5.000	430.95
RPIE-009/0247	SEAL KIT	5.500	3.250	235.59	RPIE-009/1574	SEAL KIT	7.000	5.000	431.76
RPIE-009/0249	SEAL KIT	6.000	4.500	345.05	RPIE-009/1579	SEAL KIT	6.500	4.250	282.05
RPIE-009/0269	SEAL KIT	8.000	4.500	121.85	RPIE-009/1695	SEAL KIT	7.000	5.000	327.51
RPIE-009/1004	SEAL KIT	7.000	5.000	276.92	RPIE-009/1697	SEAL KIT	6.000	3.750	428.95
RPIE-009/1098	SEAL KIT	4.500	2.500	89.04	RPIE-009/1812	SEAL KIT	4.000	2.500	112.11
RPIE-009/1117	SEAL KIT	4.000	2.250	111.20	RPIE-009/1813	SEAL KIT	7.000	5.000	317.95
RPIE-009/1145	SEAL KIT	7.750	5.000	275.91	RPIE-009/1821	SEAL KIT	3.500	1.750	141.35
RPIE-009/1181	SEAL KIT	6.500	4.250	365.37	RPIE-009/1934	SEAL KIT	9.000	6.000	605.74
RPIE-009/1187	SWIVEL KIT	4.000	N/A	71.77	RPIE-009/1935	SEAL KIT	11.000	7.500	1054.14
RPIE-009/1257	SEAL KIT	7.000	5.000	337.79	RPIE-009/2056	SEAL KIT	8.000	5.500	484.02
RPIE-009/1319	SWIVEL KIT	6.000	N/A	97.20	RPIE-009/2225	SEAL KIT	5.500	4.000	322.44
RPIE-009/1414	SWIVEL KIT	3.000	N/A	162.57	RPIE-009/2227	SEAL KIT	4.500	3.000	255.12
RPIE-009/1417	SEAL KIT	160.00	110.00	260.93	RPIE-009/2228	SEAL KIT	6.000	3.750	233.08
RPIE-009/1529	SEAL KIT	4.000	2.000	105.60	RPIE-009/2230	SEAL KIT	7.000	5.000	589.00
RPIE-009/1532	SEAL KIT	2.000	1.000	19.55	RPIE-009/2231	SEAL KIT	6.000	4.250	296.84
RPIE-009/1538	SEAL KIT	7.750	5.000	576.88	RPIE-009/2912	SEAL KIT	9.500	6.000	530.78
RPIE-009/1539	SEAL KIT	7.000	5.000	408.99	RPIE-009/2972	SEAL KIT	3.500	2.500	222.58
RPIE-009/1542	SEAL KIT	6.000	3.750	361.46	RPIE-046/0463	SEAL KIT	6.000	3.750	272.97

INDUSTRIAL
SEAL KITS

MOBILE
SEAL KITS

P & H

KITS

Ref. Number	Desc.	Bore	Rod	\$	Ref. Number	Desc.	Bore	Rod	\$
RP&H-1038/P13F1	SEAL KIT	8.000	N/A	804.15	RP&H-1100P359F1	SEAL KIT	4.750	4.000	70.95
RP&H-1038/P17F1	SEAL KIT	10.000	N/A	810.46	RP&H-1100P361F1	SEAL KIT	5.000	4.250	64.00
RP&H-1038/P1F1	SEAL KIT	10.000	N/A	983.84	RP&H-1100P362F2	SEAL KIT	5.250	4.250	71.00
RP&H-1038/P26F1	SEAL KIT	N/A	6.000	410.70	RP&H-1100P366-2	SEAL KIT	6.000	4.000	85.12
RP&H-R13366C1	120.00MM. - SPH.BALL BUSH. N/A	N/A	N/A	850.21	RP&H-1100P366F1	SEAL KIT	6.000	4.000	46.05
RP&H-R13366D2	160.00MM. - SPH.BALL BUSH. N/A	N/A	N/A	1739.55	RP&H-1100P369-1	SEAL KIT	6.500	4.250	135.41
RP&H-R25939F1/STD	SEAL KIT	10.000	N/A	557.35	RP&H-1100P370-1	SEAL KIT	6.500	4.750	171.78
RP&H-R26910F1	SEAL KIT	N/A	6.750	939.90	RP&H-1100P372F1	SEAL KIT	7.000	4.250	98.92
RP&H-R28065F1/STD	SEAL KIT	8.000	N/A	386.55	RP&H-1100P380F1	SEAL KIT	9.000	4.250	274.04
RP&H-R28067F1	SEAL KIT	N/A	5.250	890.77	RP&H-1100P381F1	SEAL KIT	9.000	6.500	224.45
RP&H-1045Z1795	SEAL KIT	6.000	5.000	138.71	RP&H-1100P386F6	SEAL KIT	10.500	7.000	425.09
RP&H-1045Z1925	SEAL KIT	3.500	1.500	32.83	RP&H-1100P419F2	SEAL KIT		7.750	253.03
RP&H-1100P351F7	SEAL KIT	3.500	1.500	15.34					
RP&H-1100P354F3	SEAL KIT	4.000	2.000	16.58					
RP&H-1100P357F2	SEAL KIT	4.500	2.000	30.42					

PIERCE PACIFIC - P&H

All manufacturer's names, part numbers and descriptions are used for reference purposes only. We do not imply that any part shown is the product of these manufacturers.

Remsa [KITS]

LOADER

PRENTICE

Model	Application	Series	Serial Number	Cylinder Number	Bore	Rod	Ref. Number RPRE-	\$	
110 BC & SR	FORK GRAPPLE			110083	4.000	1.750	147842	49.65	
				110087	3.500	1.500	147819	38.61	
	BOOM			110266	3.500	1.500	147753	33.07	
				110260	6.000	4.000	147858	72.22	
				110295	6.000	4.000	147858	72.22	
				110274	6.000	4.000	147858	72.22	
				110312	6.000	4.000	147734	76.54	
				110255	5.000	2.000	147849	81.40	
	STICK STABILIZER			110253	5.000	2.000	147747	64.82	
				110102	4.000	2.500	147830	49.65	
			110262	4.000	2.500	147751	41.69		
			110294	4.000	2.500	147857	53.04		
120		TELESCOPIC STABILIZER			110297	4.000	2.500	147751	41.69
		GRAPPLE (442)			110415	3.500	2.000	147770	56.75
	GRAPPLE (656)			110435	3.500	2.000	147770	56.75	
	BOOM			110407	5.000	2.500	147780	55.09	
	STICK			110367	5.000	2.500	147780	55.09	
	STABILIZER			110448	3.500	2.000	147770	56.75	
	TELESCOPIC STICK			110357	3.500	2.000	147770	56.75	
150	GRAPPLE			110376	3.500	2.000	147770	56.75	
				110360	3.500	1.500	147788	44.86	
	BOOM			110359	6.000	4.000	147781	69.83	
180	STICK			110359	6.000	4.000	147781	69.83	
	STABILIZER			110375	5.000	2.500	147780	55.09	
	BOOM			110344	7.000	4.000	147769	100.95	
180-B	STICK			110322	6.000	3.000	147786	83.73	
	STABILIZER			110375	5.000	2.500	147780	55.09	
	GRAPPLE			110415	3.500	2.000	147770	56.75	
	BOOM			110344	7.000	4.000	147769	100.95	
210	STICK			110322	6.000	3.000	147786	83.73	
	STABILIZER			110375	5.000	2.500	147780	55.09	
	BOOM			102272	6.000	4.000	147734	76.54	
	STICK			110251	6.000	4.000	147734	76.54	
	STABILIZER			110252	5.000	2.500	147746	67.21	
	TELESCOPIC STICK			110273	5.000	2.500	147731	54.17	
210-B				110304	3.500	1.750	147754	32.10	
				110311	3.500	1.750	147754	32.10	
	BOOM			110351	6.000	4.000	147781	69.83	
210-C	STICK			110351	6.000	4.000	147781	69.83	
	STABILIZER			110350	6.000	3.000	147786	83.73	
210-C	BOOM			110464	6.000	4.000	147781	69.83	
	HEEL CYLINDER			110524	6.000	4.000	147111	69.83	

All manufacturer's names, part numbers and descriptions are used for reference purposes only. We do not imply that any part shown is the product of these manufacturers.

INDUSTRIAL SEAL KITS

MOBILE SEAL KITS

PRENTICE

PRENTICE

LOADER

INDUSTRIAL
SEAL KITS

MOBILE
SEAL KITS

PRENTICE

Model	Application	Series	Serial Number	Cylinder Number	Bore	Rod	Ref. Number RPRE-	\$
210-D	STICK			110489	6.000	4.000	147781	69.83
	STABILIZER			110350	6.000	3.000	147786	83.73
	JIB BOOM			110524	6.000	4.000	147111	69.83
	BOOM			110524	6.000	4.000	147111	69.83
	STICK			110524	6.000	4.000	147111	69.83
410	STABILIZER			110551	6.000	3.000	147786	83.73
	BYPASS GRAPPLE			110276	3.500	1.750	147736	38.88
				110267	3.500	1.750	147754	32.10
	JIB BOOM			110251	6.000	4.000	147734	76.54
				110272	6.000	4.000	147734	76.54
	TELESCOPIC STICK			110179	3.500	1.750	147736	38.88
	STICK			110304	3.500	1.750	147754	32.10
	STABILIZER			110290	6.000	4.000	147732	80.63
				110257	6.000	4.000	147734	76.54
	GRAPPLE			110239	5.000	2.000	147735	68.31
				110261	5.000	2.000	147747	64.82
				110285	5.000	2.000	147735	68.31
				110302	4.000	2.500	147751	41.69
				110303	5.000	2.500	147746	67.21
				110310	5.000	2.500	147746	67.21
				110313	5.000	2.500	147763	86.76
				110321	4.000	2.500	147766	33.28
	BOOM			110258	6.000	4.000	147734	76.54
				110291	6.000	4.000	147734	76.54
	STICK			110241	7.000	4.000	147748	98.53
				110271	7.000	4.000	147729	97.55
410-B				110314	7.000	4.000	147765	115.99
				110329	7.000	4.000	147782	115.99
	BRAKE ACTIVATING			110345	5.000	2.500	147780	55.09
	JIB BOOM			110326	6.000	4.000	147781	69.83
	BOOM			110348	6.000	4.000	147781	69.83
410-C	STEERING			110340	3.500	2.000	147770	56.75
	STICK			110323	7.000	4.000	147769	100.95
	STABILIZER			110349	6.000	4.000	147781	69.83
410D (S/N 27337 AND UP)	TELESCOPIC BOOM			110366	3.500	2.000	147770	56.75
	JIB BOOM			110525	6.000	4.000	147111	69.83
	BOOM			110510	6.000	4.000	147111	69.83
	STABILIZER			110517	6.000	4.000	147111	69.83
	STICK			110513	7.000	4.000	147794	100.95
	TELESCOPIC BOOM			110366	3.500	2.000	147770	56.75
	CAB TILT		27337-UP	513714	2.000	1.000	147618	9.15
	JIB BOOM		27337-UP	110524	6.000	4.000	147111	69.83
	BOOM		27337-UP	110521	6.000	4.000	147111	69.83
	STABILIZER		27337-UP	110552	6.000	4.000	147111	69.83

All manufacturer's names, part numbers and descriptions are used for reference purposes only. We do not imply that any part shown is the product of these manufacturers.

Remsa [KITS]

LOADER

PRENTICE

Model	Application	Series	Serial Number	Cylinder Number	Bore	Rod	Ref. Number RPRE-	\$	
410-DX	STEERING		27337-UP	110340	3.500	2.000	147770	56.75	
	STICK		27337-UP	110513	7.000	4.000	147794	100.95	
	TELESCOPIC BOOM		27337-UP	110366	3.500	2.000	147770	56.75	
	CAB TILT			513714	2.000	1.000	147618	9.15	
	STABILIZER			110552	6.000	4.000	147111	69.83	
610	STEERING			110340	6.000	4.000	147111	69.83	
	STICK			10001524	6.000	4.000	147111	69.83	
	JIB BOOM			110259	6.000	4.000	147734	76.54	
RT-610	GRAPPLE			110372	6.000	4.000	147781	69.83	
				110239	5.000	2.000	147735	68.31	
				110261	5.000	2.000	147747	64.82	
	BOOM				110267	3.500	1.750	147754	32.10
					110276	3.500	1.750	147736	38.88
					110285	5.000	2.000	147735	68.31
					110303	5.000	2.500	147746	67.21
					110254	7.000	4.000	147748	98.53
					110316	7.000	4.000	147765	115.99
	STICK				110331	7.000	4.000	147769	100.95
					110370	7.000	4.000	147769	100.95
					110258	6.000	4.000	147734	76.54
					110348	6.000	4.000	147781	69.83
					110242	7.000	4.000	147748	98.53
					110369	7.000	4.000	147769	100.95
STABILIZER	STEERING			110250	4.000	1.750	147740	49.65	
				110265	4.000	1.750	147752	41.13	
				110365	4.000	2.500	147771	64.16	
				110239	5.000	2.000	147735	68.31	
	JIB BOOM				110261	5.000	2.000	147747	64.82
					110267	3.500	1.750	147754	32.10
					110276	3.500	1.750	147736	38.88
					110285	5.000	2.000	147735	68.31
					110303	5.000	2.500	147746	67.21
					110259	6.000	4.000	147734	76.54
					110372	6.000	4.000	147781	69.83
					110254	7.000	4.000	147748	98.53
STICK				110316	7.000	4.000	147765	115.99	
				110331	7.000	4.000	147769	100.95	
				110370	7.000	4.000	147769	100.95	
				110258	6.000	4.000	147734	76.54	
				110348	6.000	4.000	147781	69.83	
				110242	7.000	4.000	147748	98.53	
STABILIZER	STEERING			110369	7.000	4.000	147769	100.95	
				110250	4.000	1.750	147740	49.65	
				110265	4.000	1.750	147752	41.13	
				110365	4.000	2.500	147771	64.16	

All manufacturer's names, part numbers and descriptions are used for reference purposes only. We do not imply that any part shown is the product of these manufacturers.

INDUSTRIAL SEAL KITS

MOBILE SEAL KITS

PRENTICE

PRENTICE

LOADER & CRANE

Model	Application	Series	Serial Number	Cylinder Number	Bore	Rod	Ref. Number RPRE-	\$
G, GBL, H, HBL, 3B3, 4B4, 4BL, 4L4	HOIST	3B3	363 & PRIOR	110045	5.000	4.000	147604	91.94
			364 & UP	110045	5.000	4.000	147809	70.54
			ALL	110045		4.000	147504	21.51
		4L4 & 4BL	363 & PRIOR	110044	5.000	4.000	147604	91.94
			364 & UP	110044	5.000	4.000	147809	70.54
			ALL	110044		4.000	147504	21.51
	BOOM	G & GBL	363 & PRIOR	110036	6.000	4.000	147605	67.45
			364 & UP	110036	6.000	4.000	147800	66.83
			ALL	110036		4.000	147505	20.44
H		372 & PRIOR	110037	7.000	4.000	147606	129.23	
		373 & UP	110037	7.000	4.000	147802	90.55	
STICK	G & GBL	363 & PRIOR	110212	5.000	2.500	147613	55.08	
		4B4	364 & UP	110212	5.000	2.500	147803	68.51
			ALL	110212		2.500	147513	19.09
			363 & PRIOR	110214	5.000	2.000	147608	55.86
		H	364 & UP	110214	5.000	2.000	147811	63.18
			ALL	110214		2.000	147508	19.48
			ALL	110218	6.000	2.500	147801	70.47
	STABILIZER - TYPE 1 Bolt On Head	4B4 & 4L4	CYLS PRIOR - 11/68	110102	4.000	1.750	147627	48.49
			CYLS 11/68 - UP	110102	4.000	1.750	147830	49.65
STABILIZER - TYPE 1 Snap Ring Head	GBL & HBL	CYLS PRIOR - 11/68	110013	4.000	1.750	147602	35.42	
		CYLS 11/68 - UP	110013	4.000	1.750	147807	35.08	
STABILIZER - TYPE 1	H		110158	4.000	2.500	147814	49.65	
GBL & HBL	Bolt On Head STABILIZER - TYPE 1 Screw On Head	H	CYLS PRIOR - 11/68	110067	4.000	2.500	147612	#N/A
			CYLS 11/68 - UP	110067	4.000	2.500	147814	49.65
	KNUCKLE TYPE Snap Ring Head	GBL & HBL	CYLS PRIOR - 11/68	110012	4.000	1.750	147602	35.42
			CYLS 11/68 - UP	110012	4.000	1.750	147807	35.08
	KNUCKLE TYPE Bolt On Head	GBL & HBL	CYLS PRIOR - 11/68	110102	4.000	1.750	147627	48.49
			CYLS 11/68 - UP	110102	4.000	1.750	147830	49.65
	STABILIZER - TYPE 2 Bolt On Head	GBL & HBL	CYLS PRIOR - 11/68	110121	4.000	2.500	147821	63.37
			CYLS 11/68 - UP	110121	4.000	2.500	147621	52.76
	STABILIZER - TYPE 4 Bolt On Head	GBL & HBL	CYLS PRIOR-8/23/68	110042	5.000	2.000	147608	55.86
			CYLS 8/23/68 - UP	110042	5.000	2.000	147811	63.18
	SWING CYLINDER Assembly #204507 400 Deg. Swing	GBL & HBL	PRIOR - 370	204507	5.000		147629	79.61
371 TO 495			204507	5.000		147817	73.33	
496 - UP			204507	5.000		147629	79.61	

All manufacturer's names, part numbers and descriptions are used for reference purposes only. We do not imply that any part shown is the product of these manufacturers.

INDUSTRIAL
SEAL KITS

MOBILE
SEAL KITS

PRENTICE

Remsa [KITS]

KNUCKLE BOOM LOADER

PRENTICE

Model	Application	Series	Serial Number	Cylinder Number	Bore	Rod	Ref. Number RPRE-	\$
410-C	6" BOOM	G	ALL	110036	6.000	4.000	147800	66.83
		G	ALL	110036		4.000	147505	20.44
	7" BOOM	H	ALL	110037	7.000	4.000	147802	90.55
		H	ALL	110037		4.000	147506	24.21
	5" STICK	G	ALL	110214	5.000	2.000	147811	63.18
		G	ALL	110214		2.000	147508	19.48
410-C	6" STICK	H	ALL	110216	6.000	2.500	147801	70.47
		H	ALL	110216		2.500	147514	22.59
	5" H.D. STABILIZER	G, H	ALL	110042	5.000	2.000	147811	63.18
		G, H	ALL	110042		2.000	147508	19.48
410-C	GRAPPLE CYLINDER	H, G, F	ALL	110134	4.000	1.750	147812	39.32
	GRAPPLE CYLINDER	H, G, F	ALL	110134		1.750	147509	19.26
		H, G, F	ALL	110087	3.500	1.500	147819	38.61
	3-1/2"	H, G, F	ALL	110087		1.500	147515	25.99
	SWING ASSEMBLY	F & G	PRIOR - 8199	110035	6.000	4.000	147605	67.45
			8200 - 10067	110036	4.000		147816	45.24
			10068 - UP	110060	4.000		147628	62.17
	SWING ASSEMBLY	H	PRIOR - 6/65	111047	5.000		147616	86.66
			8200 - HP7007,	111079	5.000		147817	73.33
			11001 (11/68 - 7/70)	111080	5.000		147817	73.33
				111081	5.000		147817	73.33
		11002 - UP	204511	5.000		147629	79.61	
		11002 - UP	204512	5.000		147629	79.61	

GRAPPLE & ATTACHMENT

PRENTICE

Model	Series	Cylinder Number	Bore	Rod	Ref. Number RPRE-	\$
ALL MODELS	AC442/TC442/CX442 GRAPPLES	110415	3.500	2.000	147770	56.75
	C656S/C762S/CX656S/CX762S GRAPPLES	110435	3.500	2.000	147770	56.75
	C554 GRAPPLES	110501	4.000	2.500	147771	64.16
	734 GRAPPLES	110428	3.500	2.000	147770	56.75
	C752S GRAPPLES	110380	4.000	2.500	147771	64.16
	742 / 742 WEDGE GRAPPLES	110358	3.500	2.000	147770	56.75
	315 GRAPPLES	110376	3.500	2.000	147770	56.75
	310 / 410, 342, 351, CBP GRAPPLES	110266	3.500	1.500	147753	33.07
	1041 - 5/8 YARD CLAM	110137	4.000	1.750	157752	35.52
	BUCKET CYLINDER		4.000	1.750	147830	49.65
		110379	4.000	2.500	147771	64.16
	1053	110083	4.000	1.750	147842	49.65
	FORK CYLINDER	110342	4.000	2.500	147771	64.16
	442 GRAPPLES	110415	3.500	2.000	147770	56.75
	752 SLASHER	110380	4.000	2.500	147771	64.16
	742 WEDGE 270/CR	110267	3.500	1.750	147754	32.10
	GRAPPLE CYLINDER	110358	3.500	2.000	147770	56.75
	1/2 CORD 270/CR & 848 WEDGE 270/CR	110302	4.000	2.500	147751	41.69

All manufacturer's names, part numbers and descriptions are used for reference purposes only. We do not imply that any part shown is the product of these manufacturers.

INDUSTRIAL SEAL KITS

MOBILE SEAL KITS

PRENTICE

PRENTICE

GRAPPLE & ATTACHMENT

Model	Series	Cylinder Number	Bore	Rod	Ref. Number RPRE-	\$
	GRAPPLE CYLINDER	110354	4.000	2.500	147771	64.16
	1/2 CORD SLASHER C/R	110321	4.000	2.500	147766	33.28
	GRAPPLE CYLINDER	110353	4.000	2.500	147771	64.16
	3/4 CORD 270/CR 1 CORD 270/CR,	110303	5.000	2.500	147746	67.21
	GRAPPLE CYLINDER	110386	5.000	2.500	147780	55.09
	955 WEDGE 270/CR, 1060 270/CR 1066	110303	5.000	2.500	147746	67.21
	WEDGE 270/CR, 1372 WEDGE 270/CR	110355	5.000	2.500	147780	55.09
	GRAPPLE CYLINDER					

INDUSTRIAL SEAL KITS

MOBILE SEAL KITS

PRENTICE

KIT LISTING

Ref. Number	Desc.	Bore	Rod	\$	Ref. Number	Desc.	Bore	Rod	\$
RPRE-10028680	SEAL KIT	3.500	2.000	28.27	RPRE-147504	SEAL KIT		4.000	21.51
RPRE-10029790	SWIVEL KIT	5.000		146.90	RPRE-147505	SEAL KIT	6.000	4.000	20.44
RPRE-10032263	SEAL KIT	3.000	1.500	45.62	RPRE-147506	SEAL KIT		4.000	24.21
RPRE-10032264	SEAL KIT	3.500	1.500	39.73	RPRE-147508	SEAL KIT		2.000	19.48
RPRE-10032265	SEAL KIT	3.500	2.000	45.31	RPRE-147509	SEAL KIT		1.750	19.26
RPRE-10032266	SEAL KIT	4.000	2.000	52.60	RPRE-147510	SEAL KIT	4.500	1.750	19.32
RPRE-10032267	SEAL KIT	4.000	2.500	43.84	RPRE-147513	SEAL KIT	5.000	2.500	19.09
RPRE-10032268	SEAL KIT	4.500	2.500	64.87	RPRE-147514	SEAL KIT	6.000	2.500	22.59
RPRE-10032269	SEAL KIT	5.000	2.500	76.59	RPRE-147515	SEAL KIT	3.500	1.500	25.99
RPRE-10032270	SEAL KIT	5.000	3.000	81.08	RPRE-147522	SEAL KIT		2.500	20.25
RPRE-10032274	SEAL KIT	6.000	3.000	84.26	RPRE-147530	SEAL KIT	4.000	1.750	22.74
RPRE-10032275	SEAL KIT	6.000	4.000	91.37	RPRE-147532	SEAL KIT		4.000	30.26
RPRE-10032276	SEAL KIT	7.000	4.000	106.31	RPRE-147600	SEAL KIT	3.500	1.500	31.27
RPRE-10034620	SEAL KIT	4.000	2.500	43.84	RPRE-147602	SEAL KIT	4.000	1.750	35.42
RPRE-10034622	SEAL KIT	5.000	2.500	80.73	RPRE-147603	SEAL KIT	4.500	2.000	43.83
RPRE-10034624	SEAL KIT	6.000	3.000	84.26	RPRE-147604	SEAL KIT	5.000	4.250	91.94
RPRE-10034625	SEAL KIT	5.000	3.500	98.54	RPRE-147605	SEAL KIT	6.000	4.000	67.45
RPRE-10034628	SEAL KIT	6.000	4.000	111.82	RPRE-147606	SEAL KIT	7.000	4.000	129.23
RPRE-10034629	SEAL KIT	6.000	4.000	123.35	RPRE-147608	SEAL KIT	5.000	2.000	55.86
RPRE-10034630	SEAL KIT	7.000	4.000	142.19	RPRE-147609	SEAL KIT	4.000	1.750	44.95
RPRE-10070119	SEAL KIT	3.500	2.000	67.97	RPRE-147612	SEAL KIT	4.000	2.500	48.65
RPRE-147100	SEAL KIT	3.000	1.500	30.26	RPRE-147613	SEAL KIT	5.000	2.500	55.08
RPRE-147101	SEAL KIT	4.500	2.500	44.64	RPRE-147615	SEAL KIT	4.000		45.34
RPRE-147102	SEAL KIT	5.500	2.500	68.90	RPRE-147616	SEAL KIT	5.000		86.66
RPRE-147103	SEAL KIT	2.500	1.250	24.42	RPRE-147617	SEAL KIT	5.000	4.000	98.48
RPRE-147108	SEAL KIT	8.000	4.500	148.99	RPRE-147618	SEAL KIT		1.000	9.15
RPRE-147109	SEAL KIT		0.750	4.19	RPRE-147619	SEAL KIT	3.500	1.500	39.41
RPRE-147110	SEAL KIT	4.000	2.500	44.23	RPRE-147621	SEAL KIT	4.500	2.500	52.76
RPRE-147111	SEAL KIT	6.000	4.000	69.83	RPRE-147627	SEAL KIT	4.000	1.750	48.49
RPRE-147282	SEAL KIT	3.500	2.000	20.65	RPRE-147628	SEAL KIT	4.000		62.17

All manufacturer's names, part numbers and descriptions are used for reference purposes only. We do not imply that any part shown is the product of these manufacturers.

PRENTICE

Remsa [KITS]

KIT LISTING

PRENTICE

Ref. Number	Desc.	Bore	Rod	\$	Ref. Number	Desc.	Bore	Rod	\$
RPRE-147629	SEAL KIT	5.000		79.61	RPRE-147812	SEAL KIT	4.000	1.750	39.32
RPRE-147703	ROTARY ACTUATOR			18.06	RPRE-147813	SEAL KIT	3.500	1.500	26.46
RPRE-147729	SEAL KIT	7.000	4.000	97.55	RPRE-147814	SEAL KIT	4.000	2.500	49.65
RPRE-147731	SEAL KIT	5.000	2.500	54.17	RPRE-147815	SEAL KIT	6.000	2.500	72.63
RPRE-147732	SEAL KIT	6.000	4.000	80.63	RPRE-147816	SEAL KIT	4.000		45.24
RPRE-147733	SEAL KIT	7.000	4.000	70.38	RPRE-147817	SEAL KIT	5.000		73.33
RPRE-147734	SEAL KIT	6.000	4.000	76.54	RPRE-147819	SEAL KIT	3.500	1.500	38.61
RPRE-147735	SEAL KIT	5.000	2.000	68.31	RPRE-147821	SEAL KIT	4.500	2.500	63.37
RPRE-147736	SEAL KIT	3.500	1.750	38.88	RPRE-147826	SEAL KIT	7.000	2.500	25.00
RPRE-147738	ROTARY ACTUATOR			55.18	RPRE-147828	SEAL KIT	3.500	2.000	20.65
RPRE-147740	SEAL KIT	4.000	1.750	49.65	RPRE-147829	SEAL KIT	3.000	1.750	48.47
RPRE-147746	SEAL KIT	5.000	2.500	67.21	RPRE-147830	SEAL KIT	4.000	1.750	49.65
RPRE-147747	SEAL KIT	5.000	2.000	64.82	RPRE-147831	SEAL KIT	6.000	2.500	68.95
RPRE-147748	SEAL KIT	7.000	4.000	98.53	RPRE-147832	SEAL KIT	7.000	4.000	95.44
RPRE-147750	SEAL KIT	4.000	2.500	135.17	RPRE-147833	SEAL KIT	6.000	2.500	71.29
RPRE-147751	SEAL KIT	4.000	2.500	41.69	RPRE-147834	SEAL KIT	6.000	4.000	73.08
RPRE-147752	SEAL KIT	4.000	1.750	41.13	RPRE-147835	SEAL KIT	7.000	4.000	100.91
RPRE-147753	SEAL KIT	3.500	1.500	33.07	RPRE-147836	SEAL KIT	6.000	4.000	67.22
RPRE-147754	SEAL KIT	3.500	1.750	32.10	RPRE-147842	SEAL KIT	4.000	1.750	49.65
RPRE-147763	SEAL KIT	5.000	2.500	86.76	RPRE-147849	SEAL KIT	5.000	2.000	81.40
RPRE-147765	SEAL KIT	7.000	4.000	115.99	RPRE-147857	SEAL KIT	4.000	2.500	53.04
RPRE-147766	SEAL KIT	4.000	2.500	33.28	RPRE-147858	SEAL KIT	6.000	4.000	72.22
RPRE-147769	SEAL KIT	7.000	4.000	100.95	RPRE-147898	SWIVEL KIT	5.000		146.90
RPRE-147770	SEAL KIT	3.500	2.000	56.75	RPRE-30007033	SEAL KIT	5.000	2.500	170.40
RPRE-147771	SEAL KIT	4.000	2.500	64.16	RPRE-30007301	SEAL KIT	5.000	2.500	141.06
RPRE-147780	SEAL KIT	5.000	2.500	55.09	RPRE-30011031	SEAL KIT	4.500	2.500	120.75
RPRE-147781	SEAL KIT	6.000	4.000	69.83	RPRE-30011034	SEAL KIT	4.500	2.500	123.58
RPRE-147782	SEAL KIT	7.000	4.000	115.99	RPRE-30011035	SEAL KIT	3.000	2.000	91.22
RPRE-147783	SEAL KIT	8.000	4.500	155.58	RPRE-563594	SEAL KIT		1.000	34.05
RPRE-147786	SEAL KIT	6.000	3.000	83.73					
RPRE-147788	SEAL KIT	3.500	1.500	44.86					
RPRE-147794	SEAL KIT	7.000	4.000	100.95					
RPRE-147800	SEAL KIT	6.000	4.000	66.83					
RPRE-147801	SEAL KIT	6.000	2.500	70.47					
RPRE-147802	SEAL KIT	7.000	4.000	90.55					
RPRE-147803	SEAL KIT	5.000	2.500	68.51					
RPRE-147804	SEAL KIT	4.500	1.750	51.70					
RPRE-147807	SEAL KIT	4.000	1.750	35.08					
RPRE-147808	SEAL KIT	4.500	2.000	52.83					
RPRE-147809	SEAL KIT	5.000	4.000	70.54					
RPRE-147810	SEAL KIT	3.500	1.750	48.36					
RPRE-147811	SEAL KIT	5.000	2.000	63.18					

All manufacturer's names, part numbers and descriptions are used for reference purposes only. We do not imply that any part shown is the product of these manufacturers.

INDUSTRIAL SEAL KITS

MOBILE SEAL KITS

PRENTICE

RAYGO WAGNER

KITS

INDUSTRIAL
SEAL KITS

MOBILE
SEAL KITS

RAYGO WAGNER

Ref. Number	Desc.	Bore	Rod	\$	Ref. Number	Desc.	Bore	Rod	\$
RRAY-206313	1.500" - ROD WIPER	1.500		5.51	RRAY-518924/DX	SEAL KIT	5.020	2.500	313.93
RRAY-206345	3.000" - ROD WIPER	3.000		8.57	RRAY-518925	SEAL KIT	6.040	3.000	177.67
RRAY-206346	2.000" - ROD WIPER	2.000		6.12	RRAY-518925/DX	SEAL KIT	6.040	3.000	399.77
RRAY-206347	2.500" - ROD WIPER	2.500		7.35	RRAY-520932	SEAL KIT	3.520	1.500	67.36
RRAY-206431	3.500" - ROD WIPER	3.500		11.02	RRAY-520932/DX	SEAL KIT	3.520	1.500	151.58
RRAY-206664	4.000" - ROD WIPER	4.000		12.25	RRAY-521533	SEAL KIT	7.040	3.500	129.33
RRAY-217511	5.000" - ROD WIPER	5.000		9.80	RRAY-521533/DX	SEAL KIT	7.040	3.500	291.00
RRAY-223541	4.437" - ROD WIPER	4.437		7.35	RRAY-521581	SEAL KIT	9.050	4.000	333.49
RRAY-226255	6.000" - ROD PACKING	6.000		83.28	RRAY-521581/DX	SEAL KIT	9.050	4.000	750.35
RRAY-300210/LHD	SEAL KIT	5.020	2.500	434.05	RRAY-527102	SEAL KIT	4.020	1.500	69.57
RRAY-300227/LHD	SEAL KIT	3.000	1.250	213.62	RRAY-527102/DX	SEAL KIT	4.020	1.500	156.53
RRAY-300230/LHD	SEAL KIT	6.024	2.500	222.61	RRAY-533662	5.500" - ROD PACKING			58.30
RRAY-505455	5.020" - PISTON PACKING			29.15	RRAY-533670	SEAL KIT	10.055	5.500	376.08
RRAY-505455/DX	5.020" - PISTON PACKING			48.71	RRAY-533670/DX	SEAL KIT	10.055	5.500	846.19
RRAY-505519	1.500" - ROD PACKING			22.90	RRAY-535995	SEAL KIT	6.040	3.500	173.85
RRAY-505523	3.520" - PISTON PACKING			22.90	RRAY-535995/DX	SEAL KIT	6.040	3.500	391.18
RRAY-505575	4.437" - ROD PACKING			49.97	RRAY-542711	SEAL KIT	10.055	5.500	324.69
RRAY-505575/DX	4.437" - ROD PACKING			69.18	RRAY-542711/DX	SEAL KIT	10.055	5.500	730.56
RRAY-505577	10.055" - PISTON PACKING			90.63	RRAY-542852	SEAL KIT	10.055	4.437	345.34
RRAY-505577/DX	10.055" - PISTON PACKING			179.63	RRAY-542852/DX	SEAL KIT	10.055	4.437	777.03
RRAY-505595	2.500" - ROD PACKING			27.07	RRAY-542869	SEAL KIT	9.050	4.000	278.07
RRAY-505595/DX	2.500" - ROD PACKING			29.90	RRAY-542869/DX	SEAL KIT	9.050	4.000	625.66
RRAY-505610	3.000" - ROD PACKING			29.15	RRAY-543823	SEAL KIT	10.055	4.000	307.90
RRAY-505613	6.040" - PISTON PACKING			45.81	RRAY-543823/DX	SEAL KIT	10.055	4.000	692.78
RRAY-505627	2.000" - ROD PACKING			24.98	RRAY-551904	SEAL KIT	6.040	3.500	189.59
RRAY-505627/DX	2.000" - ROD PACKING			27.60	RRAY-551904/DX	SEAL KIT	6.040	3.500	426.58
RRAY-505631	4.020" - PISTON PACKING			24.98	RRAY-552744	SEAL KIT	9.050	4.437	313.05
RRAY-505631/DX	4.020" - PISTON PACKING			27.60	RRAY-552744/DX	SEAL KIT	9.050	4.437	704.35
RRAY-505648	7.040" - PISTON PACKING			54.13	RRAY-5530040700	SEAL KIT	5.025	2.000	197.18
RRAY-505658	3.500" - ROD PACKING			33.31	RRAY-5533946800	SEAL KIT	8.000	4.500	267.57
RRAY-505723	4.000" - ROD PACKING			41.64	RRAY-5535297200	SEAL KIT	6.000	5.500	171.53
RRAY-505725	9.050" - PISTON PACKING			87.45	RRAY-5537454500	SEAL KIT V20	N/A	N/A	8.43
RRAY-514412	8.040" - PISTON PACKING			83.28	RRAY-5541132600	SEAL KIT	6.025	2.500	276.55
RRAY-518920	SEAL KIT	10.062	4.437	210.66	RRAY-5541334300	SEAL KIT	7.000	3.000	138.49
RRAY-518920/DX	SEAL KIT	10.062	4.437	482.17	RRAY-5541336900	SEAL KIT	5.000	2.000	95.22
RRAY-518921	SEAL KIT	7.000	2.500	198.31	RRAY-5541592600	SEAL KIT	4.000	2.500	96.32
RRAY-518921/DX	SEAL KIT	7.000	2.500	436.28	RRAY-566400	SEAL KIT	10.050	4.437	361.11
RRAY-518922	SEAL KIT	4.020	2.000	155.80	RRAY-566401	SEAL KIT	10.062	5.500	324.69
RRAY-518922/DX	SEAL KIT	4.020	2.000	350.15	RRAY-566403	SEAL KIT	10.050	4.437	345.34
RRAY-518923	SEAL KIT	9.050	4.000	334.03	RRAY-566408	SEAL KIT	4.000	2.000	142.32
RRAY-518923/DX	SEAL KIT	9.050	4.000	751.57	RRAY-566412	SEAL KIT	6.020	3.000	177.67
RRAY-518924	SEAL KIT	5.020	2.500	139.52	RRAY-566422	SEAL KIT	9.040	4.000	278.07

All manufacturer's names, part numbers and descriptions are used for reference purposes only. We do not imply that any part shown is the product of these manufacturers.

Remsa [KITS]

KITS

SAMSUNG

Ref. Number	Desc.	Bore	Rod	\$
RSAM-1030/60030	SEAL KIT	95.00	75.00	36.66
RSAM-8048/00010	SEAL KIT	105.00	85.00	52.11
RSAM-8048/00020	SEAL KIT	110.00	90.00	54.15
RSAM-8048/00070	SEAL KIT	120.00	80.00	313.32
RSAM-8048/00081	SEAL KIT	135.00	95.00	254.25

Ref. Number	Desc.	Bore	Rod	\$
RSAM-8048/00100	SEAL KIT	150.00	105.00	276.92
RSAM-8048/00120	SEAL KIT	100.00	70.00	121.46
RSAM-8048/00130	SEAL KIT	160.00	105.00	332.48
RSAM-8048/00140	SEAL KIT	170.00	115.00	330.18
RSAM-8048/00150	SEAL KIT	150.00	105.00	355.29
RSAM-8048/00250	SEAL KIT	180.00	100.00	298.72
RSAM-8130/00420	SEAL KIT	140.00	95.00	165.52



All manufacturer's names, part numbers and descriptions are used for reference purposes only. We do not imply that any part shown is the product of these manufacturers.

INDUSTRIAL SEAL KITS

MOBILE SEAL KITS

REJC - SAMSUNG

KITS 572

SHEFFER

KITS

Ref. Number	Desc.	Bore	Rod	\$	Ref. Number	Desc.	Bore	Rod	\$
RSHE-720/00150	SEAL KIT	1.500	0.500	13.85	RSHE-726/0167/0400/0137	SEAL KIT	4.000	1.375	19.80
RSHE-720/00200	SEAL KIT	2.000	0.500	14.73	RSHE-726/0167/0400/0175	SEAL KIT	4.000	1.750	21.30
RSHE-720/00250	SEAL KIT	2.500	0.625	15.30	RSHE-726/0167/0500/0100	SEAL KIT	5.000	1.000	31.88
RSHE-720/00300	SEAL KIT	3.000	0.750	15.63	RSHE-726/0167/0500/0137	SEAL KIT	5.000	1.375	22.57
RSHE-720/00350	SEAL KIT	3.500	0.750	16.75	RSHE-726/0167/0500/0175	SEAL KIT	5.000	1.750	23.29
RSHE-720/00400	SEAL KIT	4.000	1.000	17.40	RSHE-726/0167/0600/0137	SEAL KIT	6.000	1.375	34.96
RSHE-720/00500	SEAL KIT	5.000	1.000	19.68	RSHE-726/0167/0600/0175	SEAL KIT	6.000	1.750	37.16
RSHE-720/00600	SEAL KIT	6.000	1.000	24.20	RSHE-726/0167/0700/0137	SEAL KIT	7.000	1.375	37.88
RSHE-720/00700	SEAL KIT	7.000	1.375	33.26	RSHE-726/0167/0800/0137	SEAL KIT	8.000	1.375	43.29
RSHE-720/00800	SEAL KIT	8.000	1.375	50.67	RSHE-726/0167/0800/0175	SEAL KIT	8.000	1.750	50.42
RSHE-720/01/0300	SEAL KIT	3.000	0.750	20.14	RSHE-726/0167/1000/0175	SEAL KIT	10.000	1.750	75.66
RSHE-720/01/0350	SEAL KIT	3.500	0.750	21.02	RSHE-726/0267/1000/0175	SEAL KIT	10.000	1.750	97.01
RSHE-720/01/0400	SEAL KIT	4.000	1.000	27.05	RSHE-729/0200/K019	SEAL KIT	2.000	1.250	26.02
RSHE-720/01/0500	SEAL KIT	5.000	1.000	30.84	RSHE-729/0500/K003	SEAL KIT	5.000	2.000	43.96
RSHE-720/01/0600	SEAL KIT	6.000	1.000	26.87	RSHE-757/01/0325/0137	SEAL KIT	3.250	1.375	34.87
RSHE-720/01/0800	SEAL KIT	8.000	1.375	64.78	RSHE-759/0100/0325/0137	SEAL KIT	3.250	1.375	35.44
RSHE-726/0107/0200/0100	SEAL KIT	2.000	1.000	11.65	RSHE-760/0100/0400/0175	SEAL KIT	4.000	1.750	39.98
RSHE-726/0167/0200/0062	SEAL KIT	2.000	0.625	12.01	RSHE-760/01/0200/0137	SEAL KIT	2.000	1.375	78.07
RSHE-726/0167/0250/0062	SEAL KIT	2.500	0.625	12.80	RSHE-760/01/0250/0175	SEAL KIT	2.500	1.750	28.45
RSHE-726/0167/0250/0100	SEAL KIT	2.500	1.000	18.12	RSHE-760/22/0600/0250	SEAL KIT	6.000	2.500	86.47
RSHE-726/0167/0250/0137	SEAL KIT	2.500	1.375	19.91	RSHE-761/01/0200/0137	SEAL KIT	2.000	1.375	31.56
RSHE-726/0167/0325/0100	SEAL KIT	3.250	1.000	18.05	RSHE-761/01/0250/0175	SEAL KIT	2.500	1.750	33.29
RSHE-726/0167/0325/0137	SEAL KIT	3.250	1.375	21.76	RSHE-761/01/0700/0400	SEAL KIT	7.000	4.000	66.41
RSHE-726/0167/0325/0175	SEAL KIT	3.250	1.750	21.85	RSHE-761/01/0800/0350	SEAL KIT	8.000	3.500	159.93
RSHE-726/0167/0400/0100	SEAL KIT	4.000	1.000	22.58	RSHE-795/S003	SEAL KIT	2.750	1.250	41.53

INDUSTRIAL
SEAL KITS

MOBILE
SEAL KITS

TAMROK

KITS

Ref. Number	Desc.	Bore	Rod	\$	Ref. Number	Desc.	Bore	Rod	\$
RTAM-04001750	SEAL KIT	100.00	50.00	172.59	RTAM-04001786	SEAL KIT	100.00	50	191.04
RTAM-04001752	SEAL KIT	100.00	50.00	162.06	RTAM-17849709	SEAL KIT	125.00	N/A	63.53
RTAM-04001755	SEAL KIT	160.00	90.00	254.05	RTAM-17849710	SEAL KIT	200.00	N/A	249.53
RTAM-04001757	SEAL KIT	125.00	70.00	198.97	RTAM-17849711	SEAL KIT	160.00	N/A	123.48
RTAM-04001767	SEAL KIT	180.00	90.00	311.75	RTAM-42832	ROD - V.SET+BRGSN/A	4.000		120.20
RTAM-04001773	SEAL KIT	250.00	140.00	583.96	RTAM-42848	ROD - V.SET+BRGSN/A	4.500		143.76
RTAM-04001775	SEAL KIT	160.00	90.00	264.36	RTAM-47026117	SEAL KIT	125.00	70.00	198.97
RTAM-04001777	SEAL KIT	200.00	110.00	316.95	RTAM-85069909	SEAL KIT	40.00	25.00	65.53
RTAM-04001780	SEAL KIT	140.00	90.00	196.91	RTAM-85577709	SEAL KIT	125.00	50.00	172.35
RTAM-04001783	SEAL KIT	125.00	70	126.91	RTAM-87285619	SEAL KIT	70.00	50.00	324.01
RTAM-04001784	SEAL KIT	160.00	90	664.25					
RTAM-04001785	SEAL KIT	200.00	110.00	736.63					

All manufacturer's names, part numbers and descriptions are used for reference purposes only. We do not imply that any part shown is the product of these manufacturers.

SHEFFER - TAMROK

Remsa [KITS]

KITS

TAKEUCHI

Ref. Number	Desc.	Bore	Rod	\$	Ref. Number	Desc.	Bore	Rod	\$
RTAK-03315/08699	SEAL KIT	N/A	N/A	9.87	RTAK-19000/89999	SEAL KIT	140.00	90.00	606.75
RTAK-14004/01654	30.00 - OIL SEAL	N/A	N/A	6.39	RTAK-19000/90099	SEAL KIT	115.00	70.00	435.82
RTAK-14004/02340	40.00 - OIL SEAL	N/A	N/A	6.53	RTAK-19000/91895	SEAL KIT	110.00	80.00	511.86
RTAK-14004/02640	45.00 - OIL SEAL	N/A	N/A	7.21	RTAK-19000/92399	SEAL KIT	100.00	55.00	311.20
RTAK-14004/03038	55.00 - OIL SEAL	N/A	N/A	8.02	RTAK-19000/92599	SEAL KIT	120.00	75.00	536.73
RTAK-14004/03203	REPLACEMENT PARTN/A	N/A	N/A	4.76	RTAK-19000/92699	SEAL KIT	95.00	65.00	513.40
RTAK-14200/10300	REPLACEMENT ORINGN/A	N/A	N/A	1.64	RTAK-19000/92799	SEAL KIT	85.00	55.00	326.71
RTAK-14200/10400	REPLACEMENT ORINGN/A	N/A	N/A	1.76	RTAK-19000/92899	SEAL KIT	115.00	65.00	385.05
RTAK-14200/10550	REPLACEMENT ORINGN/A	N/A	N/A	2.04	RTAK-19000/92999	SEAL KIT	115.00	70.00	490.06
RTAK-14210/20400	35.00 - PIN WIPER	N/A	N/A	5.98	RTAK-19000/95199	SEAL KIT	60.00	35.00	97.80
RTAK-14210/20600	REPL. BACK UP RING	N/A	N/A	5.52	RTAK-19000/96899	SEAL KIT	60.00	35.00	185.73
RTAK-14322/00035	35.00 - PIN WIPER	N/A	N/A	3.51	RTAK-19017/30499	SEAL KIT	N/A	N/A	27.62
RTAK-14322/00040	40.00 - PIN WIPER	N/A	N/A	3.51	RTAK-03315-06199	SEAL KIT	N/A	35.00	22.55
RTAK-14322/00045	45.00 - PIN WIPER	N/A	N/A	3.65	RTAK-03515-04299	SEAL KIT	N/A	40.00	14.10
RTAK-14322/00050	50.00 - PIN WIPER	N/A	N/A	4.18	RTAK-03715-01599	SEAL KIT	N/A	45.00	11.59
RTAK-14325/00640	REPLACEMENT PARTN/A	N/A	N/A	36.09	RTAK-03915-04199	SEAL KIT	N/A	50.00	18.70
RTAK-14325/00800	REPLACEMENT PARTN/A	N/A	N/A	46.99	RTAK-19000/00199	SEAL KIT	80.00	45.00	54.93
RTAK-19000/47423	55.00 - PIN WIPER	N/A	55.00	43.59	RTAK-19000/00399	SEAL KIT	60.00	35.00	39.18
RTAK-19000/51999	SEAL KIT	55.00	30.00	70.05	RTAK-19000/00599	SEAL KIT	70.00	40.00	39.04
RTAK-19000/54399	SEAL KIT	75.00	40.00	51.17	RTAK-19000/02699	SEAL KIT	70.00	35.00	48.03
RTAK-19000/54799	SEAL KIT	85.00	45.00	68.59	RTAK-19000/04599	SEAL KIT	80.00	45.00	73.92
RTAK-19000/54999	SEAL KIT	80.00	45.00	47.79	RTAK-19000/04799	SEAL KIT	95.00	55.00	67.28
RTAK-19000/60699	SEAL KIT	60.00	35.00	71.91	RTAK-19000/04899	SEAL KIT	90.00	50.00	75.90
RTAK-19000/63599	SEAL KIT	85.00	55.00	83.63	RTAK-19000/04999	SEAL KIT	80.00	45.00	64.98
RTAK-19000/70499	SEAL KIT	55.00	30.00	43.75	RTAK-19000/05099	SEAL KIT	80.00	45.00	90.67
RTAK-19000/72299	SEAL KIT	50.00	30.00	48.83	RTAK-19000/05199	SEAL KIT	70.00	40.00	68.81
RTAK-19000/72399	SEAL KIT	55.00	30.00	63.11	RTAK-19000/09599	SEAL KIT	85.00	45.00	66.21
RTAK-19000/75699	SEAL KIT	100.00	55.00	112.28	RTAK-19000/09899	SEAL KIT	60.00	35.00	55.29
RTAK-19000/75799	SEAL KIT	90.00	50.00	111.35	RTAK-19000/09999	SEAL KIT	60.00	35.00	60.68
RTAK-19000/75899	SEAL KIT	80.00	45.00	47.80	RTAK-19000/10599	SEAL KIT	90.00	50.00	62.62
RTAK-19000/76399	SEAL KIT	95.00	65.00	86.72	RTAK-19000/11199	SEAL KIT	63.00	40.00	69.87
RTAK-19000/77199	SEAL KIT	110.00	60.00	239.36	RTAK-19000/11299	SEAL KIT	70.00	40.00	69.93
RTAK-19000/77499	SEAL KIT	70.00	40.00	36.61	RTAK-19000/11899	SEAL KIT	65.00	35.00	70.43
RTAK-19000/77699	SEAL KIT	75.00	40.00	65.29	RTAK-19000/12199	SEAL KIT	85.00	50.00	81.56
RTAK-19000/77999	SEAL KIT	75.00	40.00	66.96	RTAK-19000/12299	SEAL KIT	70.00	40.00	48.99
RTAK-19000/78299	SEAL KIT	85.00	45.00	68.59	RTAK-19000/13499	SEAL KIT	75.00	45.00	116.51
RTAK-19000/78999	SEAL KIT	80.00	55.00	98.26	RTAK-19000/16199	SEAL KIT	85.00	55.00	98.80
RTAK-19000/79399	SEAL KIT	120.00	75.00	122.20	RTAK-19000/16399	SEAL KIT	90.00	55.00	101.53
RTAK-19000/79699	SEAL KIT	75.00	45.00	59.04	RTAK-19000/16499	SEAL KIT	100.00	60.00	115.60
RTAK-19000/79799	SEAL KIT	75.00	40.00	150.15	RTAK-19000/19699	SEAL KIT	105.00	65.00	124.70
RTAK-19000/81399	SEAL KIT	65.00	35.00	120.10	RTAK-19000/24599	SEAL KIT	70.00	40.00	75.96
RTAK-19000/81899	SEAL KIT	65.00	40.00	55.13	RTAK-19000/27399	SEAL KIT	100.00	53.00	170.61
RTAK-19000/83299	SEAL KIT	85.00	55.00	103.33	RTAK-19000/30599	SEAL KIT	75.00	45.00	81.66
RTAK-19000/85699	SEAL KIT	70.00	40.00	103.78	RTAK-19000/30699	SEAL KIT	75.00	45.00	99.35
RTAK-19000/87299	SEAL KIT	50.00	25.00	34.29	RTAK-19000/37799	SEAL KIT	60.00	40.00	50.36
RTAK-19000/87499	SEAL KIT	55.00	30.00	60.09	RTAK-19000/39199	SEAL KIT	80.00	45.00	114.19
RTAK-19000/87599	SEAL KIT	50.00	25.00	108.10	RTAK-19000/43899	SEAL KIT	75.00	40.00	86.28
RTAK-19000/89599	SEAL KIT	100.00	70.00	94.57	RTAK-19000/43999	SEAL KIT	70.00	40.00	78.97

All manufacturer's names, part numbers and descriptions are used for reference purposes only. We do not imply that any part shown is the product of these manufacturers.

INDUSTRIAL SEAL KITS

MOBILE SEAL KITS

TAKEUCHI

TAKEUCHI

KITS

Ref. Number	Desc.	Bore	Rod	\$	Ref. Number	Desc.	Bore	Rod	\$
RTAK-19000/44099	SEAL KIT	60.00	35.00	70.51	RTAK-19000/70599	SEAL KIT	60.00	35.00	71.64
RTAK-19000/44299	SEAL KIT	85.00	45.00	93.61	RTAK-19000/72299	SEAL KIT	50.00	30.00	52.91
RTAK-19000/46199	SEAL KIT	75.00	40.00	108.13	RTAK-19000/75699	SEAL KIT	110.00	55.00	122.56
RTAK-19000/47195	SEAL KIT	90.00	50.00	61.28	RTAK-19000/75799	SEAL KIT	90.00	50.00	122.51
RTAK-19000/47295	SEAL KIT	80.00	45.00	58.20	RTAK-19000/76399	SEAL KIT	95.00	65.00	102.28
RTAK-19000/47695	SEAL KIT	100.00	55.00	70.01	RTAK-19000/77499	SEAL KIT	70.00	40.00	43.17
RTAK-19000/51699	SEAL KIT	65.00	35.00	84.97	RTAK-19000/77999	SEAL KIT	70.00	40.00	36.71
RTAK-19000/51899	SEAL KIT	63.00	35.00	71.74	RTAK-19000/78299	SEAL KIT	85.00	45.00	75.46
RTAK-19000/51999	SEAL KIT	55.00	30.00	59.23	RTAK-19000/78999	SEAL KIT	80.00	55.00	99.40
RTAK-19000/52099	SEAL KIT	70.00	40.00	79.29	RTAK-19000/79399	SEAL KIT	120.00	75.00	144.14
RTAK-19000/53399	SEAL KIT	60.00	35.00	65.78	RTAK-19000/79499	SEAL KIT	100.00	60.00	103.78
RTAK-19000/53499	SEAL KIT	55.00	30.00	69.56	RTAK-19000/81599	SEAL KIT	90.00	50.00	74.06
RTAK-19000/54199	SEAL KIT	80.00	45.00	69.56	RTAK-19000/81899	SEAL KIT	65.00	40.00	32.59
RTAK-19000/54399	SEAL KIT	75.00	40.00	67.80	RTAK-19000/83299	SEAL KIT	85.00	55.00	49.96
RTAK-19000/54499	SEAL KIT	65.00	35.00	41.82	RTAK-19000/87299	SEAL KIT	50.00	25.00	20.23
RTAK-19000/54799	SEAL KIT	85.00	45.00	64.67	RTAK-19000/87499	SEAL KIT	55.00	30.00	23.58
RTAK-19000/54999	SEAL KIT	80.00	45.00	60.83	RTAK-19000/87999	SEAL KIT	90.00	50.00	44.80
RTAK-19000/55099	SEAL KIT	70.00	40.00	30.49	RTAK-19000/89599	SEAL KIT	100.00	70.00	79.94
RTAK-19000/55199	SEAL KIT	100.00	55.00	89.29	RTAK-19000/91499	SEAL KIT	80.00	45.00	39.21
RTAK-19000/56999	SEAL KIT	50.00	25.00	59.87	RTAK-19017-30599	O-RING KIT	N/A	N/A	0.90
RTAK-19000/57199	SEAL KIT	50.00	25.00	51.68	RTAK-19029-03199	O-RING KIT	N/A	N/A	2.15
RTAK-19000/58099	SEAL KIT	55.00	30.00	63.81					
RTAK-19000/58199	SEAL KIT	65.00	40.00	68.00					
RTAK-19000/60699	SEAL KIT	60.00	35.00	79.11					
RTAK-19000/61299	SEAL KIT	55.00	30.00	59.13					
RTAK-19000/61599	SEAL KIT	50.00	30.00	56.71					
RTAK-19000/62099	SEAL KIT	65.00	40.00	61.48					
RTAK-19000/62699	SEAL KIT	40.00	25.00	63.55					
RTAK-19000/63499	SEAL KIT	95.00	65.00	136.73					
RTAK-19000/63599	SEAL KIT	85.00	55.00	98.62					
RTAK-19000/63699	SEAL KIT	120.00	75.00	163.46					
RTAK-19000/63799	SEAL KIT	100.00	60.00	115.61					
RTAK-19000/63999	SEAL KIT	110.00	60.00	71.80					
RTAK-19000/65199	SEAL KIT	80.00	55.00	115.44					
RTAK-19000/70499	SEAL KIT	55.00	30.00	48.13					

INDUSTRIAL
SEAL KITS

MOBILE
SEAL KITS

TAKEUCHI

All manufacturer's names, part numbers and descriptions are used for reference purposes only. We do not imply that any part shown is the product of these manufacturers.

Remsa [KITS]

SCRAPER

TEREX

Model	Application	Serial Number	Cylinder Number	Bore	Rod	I	Ref. Number RTER-	\$	
						M			
S23E	STEERING		9066953	5.500	2.500	I	15050390	70.34	
			9066954						
S24	APRON/EJECTOR		9217579	9.125	7.925	I	15050409	254.66	
	BOWL		9217584	9.125	7.925	I	15050409	254.66	
	STEERING		9062928	7.000	3.000	I	15050396	131.01	
S24B	APRON		15014766	6.250	2.500	I	15050394	80.15	
			15016260						
	BOWL		9272694	8.000	3.500	I	15050399	166.26	
	EJECTOR		15015718	7.500	4.500	I	15050415	515.99	
	RIDE		9062425	8.000	7.000	I	15050406	327.97	
S24C	STEERING		15005121	7.000	3.000	I	15050396	131.01	
			15009641						
	APRON		15014766	6.250	2.500	I	15050394	80.15	
			15016260						
	BOWL		9272694	8.000	3.500	I	15050399	166.26	
	EJECTOR		15015718	7.500	4.500	I	15050415	515.99	
TS14	STEERING		15005121	7.000	3.000	I	15050396	131.01	
			15009641						
	APRON/EJECTOR		9217579	9.125	7.925	I	15050409	254.66	
	BOWL		9005146	9.125	7.925	I	15050409	254.66	
TS14B			9217579	9.125	7.925	I	15050409	254.66	
			9005146	9.125	7.925	I	15050409	254.66	
			9066951	5.500	2.500	I	15050390	70.34	
			9066952						
			9382500	5.500	2.500	I	9397201	376.03	
			9382501						
TS14C	APRON/EJECTOR		9217579	9.125	7.925	I	15050409	254.66	
	BOWL		15007421	8.000	3.500	I	15050399	166.26	
	STEERING		9382500	5.500	2.500	I	9397201	376.03	
			9382501						
TS18A	APRON		9217579	9.125	7.925	I	15050409	254.66	
TS24	APRON/EJECTOR		9217579	9.125	7.925	I	15050409	254.66	
			9217584	9.125	7.925	I	15050409	254.66	
			9062928	7.000	3.000	I	15050396	131.01	
			15009641						

All manufacturer's names, part numbers and descriptions are used for reference purposes only. We do not imply that any part shown is the product of these manufacturers.

INDUSTRIAL SEAL KITS

MOBILE SEAL KITS

TEREX

Remsa [KITS]

TEREX

SCRAPER

Model	Application	Serial Number	Cylinder Number	Bore	Rod	I	Ref. Number RTER-	\$
						M		
TS24A	APRON		15014766	6.250	2.500	I	15050394	80.15
			15016260					
			15016261					
	STEERING		9062928	7.000	3.000	I	15050396	131.01
			15005121					
15009641								
TS24B	APRON		15014766	6.250	2.500	I	15050394	80.15
			15016260					
	BOWL		9272694	8.000	3.500	I	15050399	166.26
	EJECTOR		15015718	7.500	4.500	I	15050415	515.99
	RIDE		9062425	8.000	7.000	I	15050406	327.97
TS24C	STEERING		9062928	7.000	3.000	I	15050396	131.01
			15005121					
			15009641					
	APRON		15014766	6.250	2.500	I	15050394	80.15
			15016260					
BOWL	9272694	8.000	3.500	I	15050399	166.26		
EJECTOR	15015718	7.500	4.500	I	15050415	515.99		
STEERING	15005121	7.000	3.000	I	15050396	131.01		
		15009641						

INDUSTRIAL
SEAL KITS

MOBILE
SEAL KITS

TEREX

KIT LISTING

Ref. Number	Desc.	Bore	Rod	\$	Ref. Number	Desc.	Bore	Rod	\$
RTER-04212519	SEAL KIT	11.000	5.500	556.58	RTER-15265987	SEAL KIT	110.00	63.00	111.90
RTER-15050381	SEAL KIT	3.250	1.750	32.71	RTER-15273464	SEAL KIT	120.00	63.00	105.26
RTER-15050388	SEAL KIT	4.500	2.000	66.45	RTER-15500926	SEAL KIT	125.00	80.00	358.92
RTER-15050390	SEAL KIT	5.500	2.500	70.34	RTER-181976999248	SEAL KIT	70.00	50.00	134.70
RTER-15050391	SEAL KIT	5.500	2.500	88.62	RTER-2002088	SEAL KIT	N/A	N/A	286.14
RTER-15050393	SEAL KIT	6.000	2.500	84.69	RTER-2003556	SEAL KIT	4.13	N/A	108.79
RTER-15050394	SEAL KIT	6.250	2.500	80.15	RTER-2766978	SEAL KIT	220.00	160.00	3933.42
RTER-15050396	SEAL KIT	7.000	3.000	131.01	RTER-3307F	SEAL KIT	N/A	7.000	112.29
RTER-15050399	SEAL KIT	8.000	3.500	166.26	RTER-3307R	SEAL KIT	N/A	8.250	115.64
RTER-15050406	SEAL KIT	8.000	7.000	327.97	RTER-3307SC	SEAL KIT	3.250	1.750	37.39
RTER-15050408	SEAL KIT	N/A	7.000	186.40	RTER-3311HC	SEAL KIT	8.250	6.750	226.49
RTER-15050408/UC	SEAL KIT	N/A	7.000	186.40	RTER-4525978K	SEAL KIT	230.00	170.00	2300.63
RTER-15050409	SEAL KIT	N/A	7.925	254.66	RTER-607325	SEAL KIT	3.000	3.000	118.25
RTER-15050410	SEAL KIT	N/A	8.250	201.55	RTER-617337	SEAL KIT	N/A	7.925	285.45
RTER-15050411	SEAL KIT	9.500	8.250	149.89	RTER-618339	SEAL KIT	5.500	2.500	88.15
RTER-15050411/UC	SEAL KIT	9.500	8.250	149.89	RTER-6949305	SEAL KIT	5.250	2.500	41.29
RTER-15050412	SEAL KIT	10.500	9.000	1241.34	RTER-6957988	SEAL KIT	9, 10-1/28-1/4, 9-3/4		536.94
RTER-15050413	SEAL KIT	11.750	10.500	329.74	RTER-86833	SEAL KIT	7-1/2, 95-1/2, 8-2/4		214.98
RTER-15050414	SEAL KIT	11.750	10.500	561.75	RTER-9396484	SEAL KIT	10.500	9.000	1241.34
RTER-15050415	SEAL KIT	5-1/2, 6-3/4, 8-1/24-1/2, 6, 7-1/2		515.99	RTER-9397201	SEAL KIT	2.500	2.500	376.03
RTER-15050416	SEAL KIT	6, 7-1/25-1/2, 6-3/4		179.43	RTER-TS24EJ	SEAL KIT	4, 5-3/4, 7-1/2" STAGES	N/A N/A	292.55

All manufacturer's names, part numbers and descriptions are used for reference purposes only. We do not imply that any part shown is the product of these manufacturers.

TEREX

Remsa [KITS]

LOADER

TIMBERJACK

Model	Application	Serial Number	Cylinder Number	Bore	Rod	I	Ref. Number	\$
						M		
330	JIB BOOM			7.000	3.000	I	842937500	50.03
	MAIN BOOM			6.000	3.000	I	842936800	63.58
	STABILIZER			6.000	3.000	I	842936800	63.58
430	JIB BOOM			7.000	3.500	I	842938200	72.39
	MAIN BOOM			6.000	3.000	I	842936800	63.58
	STABILIZER			6.000	3.000	I	842936800	63.58

SKIDDER

240	DOZER STEERING		8256787	4.000	1.750	I	2313847	39.27
			2313806	4.500	2.000	I	2313832	92.73
			2313816	4.000	1.750	I	2313847	39.27
240A	ARCH - SINGLE		8259164	4.000	1.750	I	2313847	39.27
			8268592	4.000	1.750	I	845167600	72.46
	DOZER GRAPPLE STEERING		8260240	4.000	1.750	I	2313847	39.27
			8424465	4.000	2.500	I	8429306	54.45
			8427905	4.000	2.000	I	843010000	49.07
			2313806	4.500	2.000	I	2313832	92.73
			8268602	4.500	2.000	I	845167700	94.55
240B	ARCH - SINGLE DOZER		8268592	4.000	1.750	I	845167600	72.46
			8268597	4.000	1.750	I	845167600	72.46
			8268597	4.000	1.750	I	845167600	72.46
	GRAPPLE		8419398	4.000	2.500	I	842249600	79.89
			8424465	4.000	2.500	I	8429306	54.45
			8427905	4.000	2.000	I	843010000	49.07
	STEERING		F431737	4.000	2.500	I	F434787	115.38
			F431703	4.000	2.000	I	F434195	104.08
			8268602	4.500	2.000	I	845167700	94.55
360	ARCH		F120710	100.00		M	842884100	62.84
			F120710		50.00	M	F432351	42.16
	CAB TILT DOZER		8119718	2.000	25.00		8431265	29.15
			F120975	90.00		M	F434056	56.64
			F120975		45.00	M	F433400	59.06
	GRAPPLE		F431737	4.000	2.500	I	F434787	115.38
			F431738	4.500	2.500	I	F434785	124.75
			F434169	4.000	2.000	I	F434195	104.08
			F434381	4.000	2.000	I	F434195	104.08
STEERING		F120975	90.00		M	F434056	56.64	
		F120975		45.00	M	F433400	59.06	

All manufacturer's names, part numbers and descriptions are used for reference purposes only. We do not imply that any part shown is the product of these manufacturers.

INDUSTRIAL
SEAL KITS

MOBILE
SEAL KITS

TIMBERJACK

Remsa [KITS]

TIMBERJACK

SKIDDER

Model	Application	Serial Number	Cylinder Number	Bore	Rod	I	Ref. Number RTIM-	\$
						M		
380, 380A, 380B	ARCH		2315925	3.500	1.750	I	845089800	81.24
	ARCH LH		8216620	4.500	1.750	I	8450282	83.27
	ARCH RH		8216621	4.500	1.750	I	8450282	83.27
	ARCH - DUAL		2315925	3.500	1.750	I	845089800	81.24
	ARCH - SINGLE		8256796	4.000	1.750	I	845109500	85.15
	BOOM		2315925	3.500	1.750	I	845089800	81.24
	DOZER		8256792	3.500	1.750	I	2313851	65.79
	GRAPPLE		8424465	4.000	2.500	I	842249600	79.89
			8417513	5.000	2.500	I	8417516	66.89
			8419411	5.000	2.500	I	8417516	66.89
		8419223	6.500	3.500	I	841923200	55.27	
		8414685	5.000	2.500	I	841468700	34.80	
380, 450C	N/A		8245558	5.500	2.500	I	845089900	108.86
	STEERING		2313814	3.500	1.750	I	2313851	65.79
			8256798	3.500	1.750	I	2313851	65.79
	ARCH - DUAL		8268601	4.000	1.750	I	845167400	73.97
	ARCH - SINGLE		8268593	4.000	1.750	I	845167600	72.46
	BOOM		8268601	4.000	1.750	I	845167400	73.97
	DOZER		8268596	4.000	1.750	I	845167600	72.46
			8268600					
	GRAPPLE		8419411	5.000	2.500	I	843009800	74.10
			8424465	4.000	2.500	I	8429306	54.45
		8425715	4.500	2.500	I	843011300	55.95	
		8427905	4.000	2.000	I	843010000	49.07	
		8428962	5.500	2.500	I	843009900	108.86	
		F431703	4.000	2.000	I	F434195	104.08	
		F431723	4.500	2.500	I	F434785	124.75	
		F431737	4.000	2.500	I	843113700	94.55	
		F431738	4.500	2.500	I	F434785	124.75	
450	GRAPPLE T.J. 105"		8247956	5.500	2.500	I	845089900	108.86
	GRAPPLE		8424465	4.000	2.500	I	842249600	79.89
			0650-14999					
	STEERING		8268599	4.000	1.750	I	845167400	73.97
	ARCH		2315925	3.500	1.750	I	845089800	81.24
			8244039	4.000	1.750	I	845109500	85.15
			8256796					
	ARCH - DUAL		2315925	3.500	1.750	I	845089800	81.24
	ARCH - SINGLE		8256796	4.000	1.750	I	845109500	85.15
	BOOM		2315925	3.500	1.750	I	845089800	81.24
		8244039	4.000	1.750	I	845109500	85.15	
		8256796						
DOZER		8256792	3.500	1.750	I	2313851	65.79	
GRAPPLE		8414685	5.000	2.500	I	841468700	34.80	
		8417513	5.000	2.500	I	8417516	66.89	
		8419223	6.500	3.500	I	841923200	55.27	
		8419224						

All manufacturer's names, part numbers and descriptions are used for reference purposes only. We do not imply that any part shown is the product of these manufacturers.

INDUSTRIAL
SEAL KITS

MOBILE
SEAL KITS

TIMBERJACK

Remsa [KITS]

SKIDDER

TIMBERJACK

Model	Application	Serial Number	Cylinder Number	Bore	Rod	I	Ref. Number RTIM-	\$
						M		
	GRAPPLE T.J. 105" N/A STEERING		8419411	5.000	2.500	I	8417516	66.89
			8424465	4.000	2.500	I	842249600	79.89
			8247956	5.500	2.500	I	845089900	108.86
			2313814	3.500	1.750	I	2313851	65.79
			8256798	3.500	1.750	I	2313851	65.79
460	ARCH - DUAL		F120977	90.00		M	F434056	56.64
			F120977		45.00	M	F433400	59.06
	ARCH - SINGLE		F120710	100.00		M	842884100	62.84
			F120710		50.00	M	F432351	42.16
	BOOM		F122026	90.00		M	F434056	56.64
			F122026		50.00	M	F432351	42.16
	CAB TILT		8119718	2.000	25.00		8431265	29.15
			8119718				F033365	
	DOZER		F120709	100.00		M	842884100	62.84
			F120709		50.00	M	F432351	42.16
	GRAPPLE		F431737	4.000	2.500	I	F434787	115.38
			F431738	4.500	2.500	I	F434785	124.75
	N/A		F433137	5.500	2.500	I	F433145	146.22
			F433146	5.500	2.500	I	F433145	146.22
			F434169	4.000	2.000	I	F434195	104.08
			F434381	4.000	2.000	I	F434195	104.08
			F122183	125.00		M	F434140	139.75
			F122183		63.00	M	F433415	49.77
STEERING		F120975	90.00		M	F434056	56.64	
		F120975		45.00	M	F433400	59.06	

All manufacturer's names, part numbers and descriptions are used for reference purposes only. We do not imply that any part shown is the product of these manufacturers.

INDUSTRIAL
SEAL KITS

MOBILE
SEAL KITS

TIMBERJACK

TIMBERJACK

KIT LISTING

Ref. Number	Desc.	Bore	Rod	\$	Ref. Number	Desc.	Bore	Rod	\$
RTIM-2313832	SEAL KIT	4.500	2.000	92.73	RTIM-8450705	SEAL KIT	4.500	2.500	73.24
RTIM-2313847	SEAL KIT	4.000	1.750	39.27	RTIM-8450706	SEAL KIT	3.500	1.000	20.12
RTIM-2313851	SEAL KIT	3.500	1.750	65.79	RTIM-8450709	SEAL KIT	4.000	1.750	51.11
RTIM-8412391	SEAL KIT	6.000	3.000	55.21	RTIM-8450710	SEAL KIT	3.500	1.750	38.87
RTIM-841248800	SEAL KIT	7.000	3.500	88.37	RTIM-845089800	SEAL KIT	3.500	1.750	81.24
RTIM-841467800	SEAL KIT	6.000	3.000	59.97	RTIM-845089900	SEAL KIT	5.500	2.500	108.86
RTIM-841468700	SEAL KIT	5.000	2.500	34.80	RTIM-845109500	SEAL KIT	4.000	1.750	85.15
RTIM-8417516	SEAL KIT	5.000	2.500	66.89	RTIM-845167400	SEAL KIT	4.000	1.750	73.97
RTIM-841923200	SEAL KIT	6.500	3.500	55.27	RTIM-845167600	SEAL KIT	4.000	1.750	72.46
RTIM-842249600	SEAL KIT	4.000	2.500	79.89	RTIM-845167700	SEAL KIT	4.500	2.000	94.55
RTIM-842884100	SEAL KIT	100.00	N/A	62.84	RTIM-F003176	SEAL KIT	80.00	50.00	64.03
RTIM-8429306	SEAL KIT	4.000	2.500	54.45	RTIM-F003177	SEAL KIT	50.00	25.00	20.91
RTIM-842936800	SEAL KIT	6.000	3.000	63.58	RTIM-F005446	SEAL KIT	50.00	32.00	23.15
RTIM-842937500	SEAL KIT	7.000	3.000	50.03	RTIM-F014952	SEAL KIT	100.00	63.00	88.88
RTIM-842938200	SEAL KIT	7.000	3.500	72.39	RTIM-F017540	SEAL KIT	110.00	80.00	54.13
RTIM-842961900	SEAL KIT	7.000	3.500	66.29	RTIM-F019061	SEAL KIT	80.00	40.00	35.28
RTIM-843009800	SEAL KIT	5.000	2.500	74.10	RTIM-F019069	SEAL KIT	50.00	25.00	35.06
RTIM-843009900	SEAL KIT	5.500	2.500	108.86	RTIM-F432351	SEAL KIT	N/A	50.00	42.16
RTIM-843010000	SEAL KIT	4.000	2.000	49.07	RTIM-F433145	SEAL KIT	5.500	2.500	146.22
RTIM-843011300	SEAL KIT	4.500	2.500	55.95	RTIM-F433400	SEAL KIT	N/A	45.00	59.06
RTIM-843032500	SEAL KIT	7.000	3.000	56.22	RTIM-F433415	SEAL KIT	N/A	63.00	49.77
RTIM-843032800	SEAL KIT	6.000	3.000	73.64	RTIM-F434056	SEAL KIT	90.00	N/A	56.64
RTIM-843113700	SEAL KIT	4.000	2.500	94.55	RTIM-F434140	SEAL KIT	125.00	N/A	139.75
RTIM-8431265	SEAL KIT	2.000	25.00	29.15	RTIM-F434195	SEAL KIT	4.000	2.000	104.08
RTIM-8450282	SEAL KIT	4.500	1.750	83.27	RTIM-F434785	SEAL KIT	4.500	2.500	124.75
RTIM-8450446	SEAL KIT	4.500	2.000	63.95	RTIM-F434787	SEAL KIT	4.000	2.500	115.38
RTIM-8450702	SEAL KIT	4.000	1.750	60.51					
RTIM-8450703	SEAL KIT	4.500	1.750	65.17					
RTIM-8450704	SEAL KIT	6.000	2.500	92.39					

TOMPKINS-JOHNSON

KITS

Ref. Number	Desc.	Bore	Rod	\$	Ref. Number	Desc.	Bore	Rod	\$
RTJ-28136862	SEAL KIT	5.000	1.000	30.27	RTJ-6332U/030	SEAL KIT	4.000	1.750	21.75
RTJ-6331U/027	SEAL KIT	4.000	1.250	48.19	RTJ-6332U/035	SEAL KIT	5.000	1.000	20.44
RTJ-6332U/014	SEAL KIT	2.500	1.000	15.20	RTJ-6332U/048	SEAL KIT	6.000	1.750	31.79
RTJ-6332U/026	SEAL KIT	4.000	1.000	19.42	RTJ-6332U/069	SEAL KIT	8.000	1.375	43.28
RTJ-6332U/028	SEAL KIT	4.000	1.375	18.24	RTJ-6332U/070	SEAL KIT	8.000	1.750	47.94
					RTJ-6332U/020	SEAL KIT	3.000	1.000	37.00

All manufacturer's names, part numbers and descriptions are used for reference purposes only. We do not imply that any part shown is the product of these manufacturers.

KITS

TOYOTA

Ref. Number	Desc.	Bore	Rod	\$	Ref. Number	Desc.	Bore	Rod	\$
RTOY-04431/30091/71	SEAL KIT	90.00	60.00	201.07	RTOY-04651/20133/71	SEAL KIT	70.00	60.00	104.11
RTOY-04433/10010/71	SEAL KIT	60.00	40.00	83.48	RTOY-04651/20141/71	SEAL KIT	70.00	50.00	76.60
RTOY-04433/10020/71	SEAL KIT	60.00	40.00	52.30	RTOY-04651/20142/71	SEAL KIT	70.00	50.00	87.20
RTOY-04433/20011/71	SEAL KIT	75.00	50.00	180.04	RTOY-04651/20151/71	SEAL KIT	70.00	30.00	98.26
RTOY-04433/20030/71	SEAL KIT	80.00	50.00	138.92	RTOY-04651/20182/71	SEAL KIT	75.00	60.00	90.50
RTOY-04433/U1010/71	SEAL KIT	2.375	40.00	41.57	RTOY-04651/20184/71	SEAL KIT	90.00	75.00	93.15
RTOY-04433/U2040/71	SEAL KIT	3.000	50.00	37.60	RTOY-04651/20185/71	SEAL KIT	90.00	75.00	93.15
RTOY-04433/U2050/71	SEAL KIT	3.125	50.00	154.79	RTOY-04651/20186/71	SEAL KIT	90.00	75.00	129.51
RTOY-04433/U3010/71	SEAL KIT	3.125	50.00	154.79	RTOY-04651/20260/71	SEAL KIT	70.00	50.00	61.36
RTOY-04451/10070/71	SEAL KIT	40.00	22.00	58.19	RTOY-04651/20262/71	SEAL KIT	70.00	50.00	77.51
RTOY-04451/10090/71	SEAL KIT	40.00	22.00	64.39	RTOY-04651/20262/71	SEAL KIT	70.00	50.00	77.51
RTOY-04451/10120/71	SEAL KIT	45.00	22.00	60.04	RTOY-04651/20390/71	SEAL KIT	70.00	50.00	92.23
RTOY-04451/20100/71	SEAL KIT	50.00	22.00	64.62	RTOY-04651/20400/71	SEAL KIT	70.00	60.00	101.18
RTOY-04451/20101/71	SEAL KIT	50.00	22.00	65.63	RTOY-04651/20421/71	SEAL KIT	70.00	50.00	88.21
RTOY-04451/20170/71	SEAL KIT	50.00	22.00	65.36	RTOY-04651/20441/71	SEAL KIT	70.00	30.00	54.94
RTOY-04451/20171/71	SEAL KIT	50.00	22.00	65.63	RTOY-04651/20442/71	SEAL KIT	70.00	30.00	87.29
RTOY-04456/10020/71	SEAL KIT	50.00	22.00	40.98	RTOY-04651/20841/71	SEAL KIT	90.00	75.00	129.71
RTOY-04456/10031/71	SEAL KIT	55.00	30.00	127.28	RTOY-04651/20970/71	SEAL KIT	90.00	75.00	129.51
RTOY-04456/10050/71	SEAL KIT	45.00	22.00	54.29	RTOY-04651/20971/71	SEAL KIT		75.00	81.55
RTOY-04456/20010/71	SEAL KIT	40.00	22.00	58.60	RTOY-04651/20980/71	SEAL KIT	50.00	40.00	50.73
RTOY-04456/20020/71	SEAL KIT	40.00	22.00	58.31	RTOY-04651/20992/71	SEAL KIT	50.00	35.00	52.83
RTOY-04456/20030/71	SEAL KIT	50.00	22.00	46.53	RTOY-04651/21150/71	SEAL KIT	50.00	40.00	51.11
RTOY-04456/20060/71	SEAL KIT	50.00	22.00	26.71	RTOY-04651/21151/71	SEAL KIT	50.00	40.00	61.99
RTOY-04456/30010/71	SEAL KIT	55.00	25.00	43.07	RTOY-04651/21290/71	SEAL KIT	50.00	40.00	51.11
RTOY-04456/30011/71	SEAL KIT	55.00	25.00	56.27	RTOY-04651/21310/71	SEAL KIT	50.00	35.00	52.46
RTOY-04651/10060/71	SEAL KIT	80.00	50.00	56.13	RTOY-04651/21340/71	SEAL KIT	50.00	35.00	52.83
RTOY-04651/10132/71	SEAL KIT	80.00	30.00	75.06	RTOY-04651/21350/71	SEAL KIT	50.00	40.00	65.82
RTOY-04651/10330/71	SEAL KIT	70.00	30.00	59.14	RTOY-04651/30111/71	SEAL KIT	100.00	60.00	71.20
RTOY-04651/10333/71	SEAL KIT	70.00	30.00	87.29	RTOY-04651/30170/71	SEAL KIT	100.00	40.00	84.55
RTOY-04651/10334/71	SEAL KIT	70.00	30.00	87.29	RTOY-04651/30181/71	SEAL KIT	90.00	30.00	80.45
RTOY-04651/10652/71	SEAL KIT	65.00	50.00	89.59	RTOY-04651/30211/71	SEAL KIT	80.00	60.00	83.63
RTOY-04651/10662/71	SEAL KIT	65.00	50.00	89.59	RTOY-04651/30212/71	SEAL KIT	80.00	60.00	87.29
RTOY-04651/10671/71	SEAL KIT		70.00	75.86	RTOY-04651/30292/71	SEAL KIT	105.00	80.00	76.30
RTOY-04651/10870/71	SEAL KIT	80.00	70.00	86.49	RTOY-04651/30561/71	SEAL KIT	80.00	60.00	95.08
RTOY-04651/10871/71	SEAL KIT		70.00	75.86	RTOY-04651/30841/71	SEAL KIT	105.00	90.00	116.90
RTOY-04651/10882/71	SEAL KIT	70.00	30.00	87.29	RTOY-04651/30842/71	SEAL KIT	105.00	90.00	158.05
RTOY-04651/10892/71	SEAL KIT	70.00	30.00	87.29	RTOY-04651/30911/71	SEAL KIT	80.00	60.00	83.45
RTOY-04651/11032/71	SEAL KIT	50.00	35.00	53.12	RTOY-04651/30920/71	SEAL KIT	80.00	60.00	96.71
RTOY-04651/11061/71	SEAL KIT	50.00	40.00	62.34	RTOY-04651/30980/71	SEAL KIT	80.00	60.00	67.09
RTOY-04651/11250/71	SEAL KIT	90.00	75.00	128.25	RTOY-04651/30991/71	SEAL KIT	100.00	40.00	61.67
RTOY-04651/11261/71	SEAL KIT	50.00	35.00	52.83	RTOY-04651/31170/71	SEAL KIT	65.00	55.00	73.93
RTOY-04651/11270/71	SEAL KIT	90.00	75.00	129.51	RTOY-04651/31180/71	SEAL KIT	65.00	50.00	85.56
RTOY-04651/11271/71	SEAL KIT		75.00	81.37	RTOY-04651/31181/71	SEAL KIT	65.00	50.00	78.07
RTOY-04651/11290/71	SEAL KIT	50.00	40.00	61.99	RTOY-04651/31210/71	SEAL KIT	105.00	90.00	159.32
RTOY-04651/11291/71	SEAL KIT	50.00	40.00	61.61	RTOY-04651/31211/71	SEAL KIT	105.00	85.00	159.69
RTOY-04651/11300/71	SEAL KIT	65.00	50.00	66.54	RTOY-04651/31220/71	SEAL KIT	60.00	40.00	50.83
RTOY-04651/11390/71	SEAL KIT	50.00	40.00	66.72	RTOY-04651/31230/71	SEAL KIT	60.00	40.00	51.19
RTOY-04651/20132/71	SEAL KIT	70.00	60.00	93.79	RTOY-04651/31240/71	SEAL KIT	65.00	55.00	75.13

All manufacturer's names, part numbers and descriptions are used for reference purposes only. We do not imply that any part shown is the product of these manufacturers.

**INDUSTRIAL
SEAL KITS**

**MOBILE
SEAL KITS**

TOYOTA

TOYOTA

KITS

Ref. Number	Desc.	Bore	Rod	\$	Ref. Number	Desc.	Bore	Rod	\$
RTOY-04651/31250/71	SEAL KIT	65.00	55.00	75.49	RTOY-04653/20090/71	SEAL KIT	50.00	35.00	57.51
RTOY-04651/31280/71	SEAL KIT	65.00	50.00	84.26	RTOY-04653/20100/71	SEAL KIT		35.00	49.99
RTOY-04651/31281/71	SEAL KIT	65.00	50.00	76.78	RTOY-04653/20110/71	SEAL KIT	50.00	35.00	38.27
RTOY-04651/31282/71	SEAL KIT	65.00	50.00	64.71	RTOY-04653/20130/71	SEAL KIT	50.00	40.00	51.43
RTOY-04651/31290/71	SEAL KIT	90.00	60.00	94.89	RTOY-04653/30010/71	SEAL KIT	65.00	55.00	74.31
RTOY-04651/31302/71	SEAL KIT		95.00	97.36	RTOY-04653/30020/71	SEAL KIT	65.00	55.00	74.31
RTOY-04651/31311/71	SEAL KIT		105.00	98.45	RTOY-04653/30030/71	SEAL KIT		115.00	139.60
RTOY-04651/31410/71	SEAL KIT	65.00	45.00	64.08	RTOY-04653/30050/71	SEAL KIT	55.00	45.00	64.71
RTOY-04651/31420/71	SEAL KIT	65.00	45.00	65.36	RTOY-04653/30060/71	SEAL KIT	55.00	45.00	66.45
RTOY-04651/31430/71	SEAL KIT	65.00	55.00	75.86	RTOY-04653/30211/71	SEAL KIT	55.00	45.00	64.17
RTOY-04651/31440/71	SEAL KIT	65.00	55.00	73.03	RTOY-04653/30221/71	SEAL KIT	55.00	45.00	70.02
RTOY-04651/31450/71	SEAL KIT	90.00	70.00	119.27	RTOY-04653/30230/71	SEAL KIT	55.00	40.00	64.46
RTOY-04651/31500/71	SEAL KIT	55.00	45.00	65.91	RTOY-04653/30240/71	SEAL KIT	55.00	40.00	58.31
RTOY-04651/31510/71	SEAL KIT	55.00	45.00	65.53	RTOY-04653/30310/71	SEAL KIT	70.00	50.00	34.15
RTOY-04651/31520/71	SEAL KIT	55.00	45.00	66.82	RTOY-04653/U1010/71	SEAL KIT	1.750	32.00	27.39
RTOY-04651/31530/71	SEAL KIT	55.00	45.00	64.46	RTOY-04653/U1011/71	SEAL KIT	3.000	1.750	57.57
RTOY-04651/31800/71	SEAL KIT	80.00	55.00	77.19	RTOY-04653/U2010/71	SEAL KIT	2.000	1.375	46.00
RTOY-04651/31810/71	SEAL KIT	80.00	55.00	72.05	RTOY-04653/U3010/71	SEAL KIT	2.125	40.00	27.39
RTOY-04651/31820/71	SEAL KIT	120.00	70.00	190.17	RTOY-04654/10020/71	SEAL KIT	45.00	35.00	59.69
RTOY-04651/31830/71	SEAL KIT	110.00	70.00	58.01	RTOY-04654/10030/71	SEAL KIT	45.00	35.00	59.22
RTOY-04652/10020/71	SEAL KIT	80.00	70.00	121.75	RTOY-04654/20020/71	SEAL KIT	50.00	40.00	51.43
RTOY-04652/10030/71	SEAL KIT	80.00	70.00	121.75	RTOY-04654/30020/71	SEAL KIT	55.00	45.00	92.93
RTOY-04652/10170/71	SEAL KIT		70.00	59.67	RTOY-04654/30030/71	SEAL KIT	55.00	45.00	91.04
RTOY-04652/10191/71	SEAL KIT	85.00	70.00	44.32	RTOY-04654/U1010/71	SEAL KIT	1.750	1.375	27.63
RTOY-04652/10300/71	SEAL KIT	70.00	50.00	78.85	RTOY-04654/U3010/71	SEAL KIT	55.00	45.00	45.80
RTOY-04652/20031/71	SEAL KIT	90.00	75.00	99.00	RTOY-04655/20030/71	SEAL KIT	70.00	30.00	78.34
RTOY-04652/20040/71	SEAL KIT	90.00	75.00	92.43	RTOY-04655/20080/71	SEAL KIT	70.00	30.00	52.78
RTOY-04652/30010/71	SEAL KIT	105.00	90.00	118.28	RTOY-04655/20090/71	SEAL KIT	70.00	30.00	166.75
RTOY-04652/30011/71	SEAL KIT	105.00	85.00	115.90	RTOY-04655/30040/71	SEAL KIT	90.00	40.00	92.31
RTOY-04652/30020/71	SEAL KIT	60.00	40.00	51.19	RTOY-04655/30041/71	SEAL KIT	90.00	40.00	99.90
RTOY-04652/30030/71	SEAL KIT	60.00	40.00	50.83	RTOY-04655/30042/71	SEAL KIT	90.00	40.00	58.39
RTOY-04652/30040/71	SEAL KIT	70.00	50.00	67.80	RTOY-04655/30300/71	SEAL KIT	100.00	45.00	69.74
RTOY-04652/30050/71	SEAL KIT	70.00	50.00	69.13	RTOY-04655/U1010/71	SEAL KIT	70.00	30.00	134.64
RTOY-04652/30131/71	SEAL KIT	105.00	85.00	115.64	RTOY-04655/U2010/71	SEAL KIT	2.750	1.250	71.79
RTOY-04652/30132/71	SEAL KIT	105.00	85.00	67.06	RTOY-04655/U3010/71	SEAL KIT	3.000	1.250	80.71
RTOY-04652/30150/71	SEAL KIT	105.00	85.00	108.95					
RTOY-04652/U1020/71	SEAL KIT	2.750	2.000	81.51					
RTOY-04652/U2010/71	SEAL KIT	75.00	50.00	97.21					
RTOY-04652/U2020/71	SEAL KIT	75.00	2.000	85.22					
RTOY-04653/10020/71	SEAL KIT	45.00	35.00	59.59					
RTOY-04653/10030/71	SEAL KIT	45.00	35.00	58.94					
RTOY-04653/10040/71	SEAL KIT	45.00	35.00	59.59					
RTOY-04653/10050/71	SEAL KIT	45.00	35.00	59.22					
RTOY-04653/10060/71	SEAL KIT	50.00	35.00	53.94					
RTOY-04653/10500/71	SEAL KIT	45.00	35.00	25.57					
RTOY-04653/10530/71	SEAL KIT	45.00	35.00	22.83					
RTOY-04653/20071/71	SEAL KIT	50.00	40.00	66.72					
RTOY-04653/20081/71	SEAL KIT	50.00	40.00	67.17					

All manufacturer's names, part numbers and descriptions are used for reference purposes only. We do not imply that any part shown is the product of these manufacturers.

Remsa [KITS]

KITS

UNIT RIG

Ref. Number	Desc.	Bore	Rod	\$	Ref. Number	Desc.	Bore	Rod	\$
RUNI-2002964	SEAL KIT	N/A	14.750	522.05	RUNI-915396	SEAL KIT	12.500	10.000	1528.45
RUNI-84109A	SEAL KIT	6.000	3.500	75.03	RUNI-915399	SEAL KIT	12.000	6.000	1005.37
RUNI-84109G	SEAL KIT	7.000	4.000	93.94	RUNI-916120	SEAL KIT	11.500	10.000	1435.07
RUNI-912994	SEAL KIT	N/A	1.875	27.74	RUNI-916186	SEAL KIT	12.750	2.500	1051.30
					RUNI-916244	SEAL KIT	13.250	12.000	640.60
					RUNI-916441	SEAL KIT	14.000	8.500	1626.77

KITS

VICKERS

Ref. Number	Desc.	Bore	Rod	\$	Ref. Number	Desc.	Bore	Rod	\$
RVIC-1097	TETRASEAL			0.71	RVIC-919620	VALVE SEAL KIT			13.94
RVIC-229235	0.781" SHAFT SEAL			9.27	RVIC-920015	SEAL KIT F/ PUMP			42.49
RVIC-229236	0.969" SHAFT SEAL			14.94	RVIC-920021	SEAL KIT F/ PUMP 25VQ			35.11
RVIC-263585	0.625" SHAFT SEAL			12.20	RVIC-920025	SEAL KIT F/ PUMP 45VQ			43.31
RVIC-2647	PUMP MODEL: 20Q			0/R	RVIC-920040	SEAL KIT F/ PUMP 2520VQ			65.88
RVIC-394973	01.437" SHAFT SEAL			11.01	RVIC-920048	SEAL KIT F/ PUMP 3520VQ			58.86
RVIC-394973V	01.437" SHAFT SEAL			12.56	RVIC-920056	SEAL KIT F/ PUMP 3525VQ			64.59
RVIC-394974	01.625" SHAFT SEAL			9.68	RVIC-920060	SEAL KIT F/ PUMP 4520VQ			73.01
RVIC-394974V	01.625" SHAFT SEAL			0/R	RVIC-920068	SEAL KIT F/ PUMP 4525VQ			78.75
RVIC-394976	01.156" SHAFT SEAL			8.48	RVIC-920072	SEAL KIT F/ PUMP 4535VQ			64.08
RVIC-394976V	01.156" SHAFT SEAL			0/R	RVIC-920173	VALVE SEAL KIT			111.70
RVIC-395562	PUMP RETAINER 20V			5.38	RVIC-920365	VALVE SEAL KIT			61.90
RVIC-412013	PUMP RETAINER 35V			5.72	RVIC-922174	SEAL KIT F/ PUMP 2020V			21.36
RVIC-413029	01.156" SHAFT SEAL			11.16	RVIC-922732	SEAL KIT F/ PUMP V210-1			16.15
RVIC-415375	PUMP RETAINER 45V			6.07	RVIC-922733	SEAL KIT F/ PUMP 20V			12.75
RVIC-415731	PUMP RETAINER 25V			5.66	RVIC-922850	SEAL KIT F/ PUMP 25V			16.61
RVIC-419672	3.265" SEAL RING			3.48	RVIC-922851	SEAL KIT F/ PUMP 35V			21.60
RVIC-419673	3.828" SEAL RING			4.85	RVIC-922852	SEAL KIT F/ PUMP 45V			16.61
RVIC-419674	4.520" SEAL RING			6.66	RVIC-922856	SEAL KIT F/ PUMP 2520V			26.33
RVIC-419675	5.270" SEAL RING			6.77	RVIC-922859	SEAL KIT F/ PUMP 3520V			29.26
RVIC-429281	1.437" SHAFT SEAL			22.56	RVIC-922862	SEAL KIT F/ PUMP 3525V			29.26
RVIC-429284	1.437" SHAFT SEAL			22.56	RVIC-922863	SEAL KIT F/ PUMP 4520V			29.26
RVIC-6333U031		4.000	2.000	61.79	RVIC-922865	SEAL KIT F/ PUMP 4525V			30.24
RVIC-6333U051		6.000	2.500	96.63	RVIC-922866	SEAL KIT F/ PUMP 4535V			32.19
RVIC-696894	VITON SEAL KIT			14.17	RVIC-923096	SEAL KIT F/ MOTOR 50M			81.52
RVIC-919231	VALVE SEAL KIT			25.93	RVIC-923106	SEAL KIT F/ MOTOR 45M			45.51
RVIC-919248	VALVE SEAL KIT			19.84	RVIC-923157	SEAL KIT F/ MOTOR 25M			43.58
RVIC-919448	VALVE SEAL KIT			24.83	RVIC-923163	SEAL KIT F/ MOTOR 35M			49.90
RVIC-919615	VALVE SEAL KIT			61.62	RVIC-923174	SEAL KIT			30.79
					RVIC-923548	SEAL KIT F/ MOTOR V10			16.44
					RVIC-923577	SEAL KIT F/ PUMP 2010V			24.51

All manufacturer's names, part numbers and descriptions are used for reference purposes only. We do not imply that any part shown is the product of these manufacturers.






INDUSTRIAL SEAL KITS

MOBILE SEAL KITS

UNIT RING - VICKERS

VOLVO

MICHIGAN-EUCLID INDEX FOR SEAL KITS

	EXCAVATOR						KITS 502	
	EC230B	EC280	EC340	EC360				
	WHEEL LOADER						KITS 502	
	35A	55A	75B	125A-II	175C	675B	L120B	L480
	35AWS	55A-II	LF75B	125-III A	275-III	L30	L140	L480B
	35B	55-III	75C	125B	275-III A	L50	L150	L480T
	35C	55-III A GRR	75C-III A	125C	275B	L50B	L160	
	35R	55B	85A	175A	275C	L70	L180	
	45A	55C	85A-II	175A-II	475-III A	L70B	L190	
	45B	75A-II	85-III	175-III	475B	L90	L270	
	45FB	75-III	85-III A	175-III A	475C	L90B	L270B	
	45C	75-III A	125A	175B	475CT	L120	L320	
	WHEEL DOZER						KITS 515	
	180	280	280-III A	280C	380-III A	W380		
	180-III	280-III	280B	380-III	380B			
	ARTICULATED DUMP TRUCK						KITS 518	
	A20	A25B	A30	A35	5350B			
	A25	A25C	A30C	A35C				
	LOG SKIDDER						KITS 519	
	F65	664B	F665	666C	667C	688B	F668	
	662	664C	666	666D	667D	668C		
	664	664D	666B	F666	668	668D		
VOLVO-MICHIGAN-EUCLID KIT LISTING						KITS 521		

INDUSTRIAL
SEAL KITS

MOBILE
SEAL KITS



VOLVO-MICHIGAN-EUCLID

All manufacturer's names, part numbers and descriptions are used for reference purposes only. We do not imply that any part shown is the product of these manufacturers.

Remsa [KITS]

EXCAVATOR

VOLVO-MICHIGAN-EUCLID

Model	Application	Serial Number	Cylinder Group	Bore	Rod	I	Ref. Number RVME-	\$
						M		
EC230B	BOOM/FRONT SHOVEL	0-4655 4656-UP	1142508811 42654656	160.00	105.00	M	11997089/5	532.97
	BOOM/MATERIAL HANDLE	0-4655 4656-UP	142479005 142654649	160.00	105.00	M	11997089/5	532.97
	BUCKET	0-4655 4656-UP	142508902 142654664	140.00	90.00	M	11997091/1	424.44
	BUCKET/ARTICULATESLOPE		142459759	70.00	50.00	M	11997227	232.09
	BUCKET/QUICK FIT	0-4465 4466-UP	142357003 142616416	70.00	32.00	M	11999887	94.55
EC280	DIPPER ARM KNUCKLE	ALL	140533530 142654680	150.00 160.00	105.00 105.00	M M	11997226 11997089/5	403.65 532.97
	KNUCKLE/FRONT SHOVEL		140533357	125.00	80.00	M	11997225	274.37
	ARM		143446169	160.00	110.00	M	11705818	427.44
	BOOM		143446151	150.00	100.00	M	11703474	366.19
	BUCKET		143446177	140.00	95.00	M	11705814	327.66
EC340	QUICK FIT		143446169 143419398	160.00 70.00	110.00 32.00	M M	11705818 11702311	427.44 73.67
	ARM		143423911	170.00	125.00	M	11702757	506.13
	BOOM		143446185	150.00	105.00	M	11702744	338.33
EC360	BUCKET		143423911	170.00	125.00	M	11702757	506.13
	BUCKET/QUICK FIT		143419398	70.00	32.00	M	11702311	73.67
	BOOM		114607440 114604980	160.00 160.00	105.00 105.00	M M	814816130 814816020	407.09 407.09
	BUCKET		114605000	150.00	105.00	M	814816030	337.66
				150.00	105.00	M	814816150	337.66
	DIPPER ARM		114607450 114604990	170.00 170.00	115.00 115.00	M M	814816140 814816040	476.04 476.04

WHEEL LOADER

35A	BOOM		1504471	6.000	2.750	I	2516065	70.42
	BUCKET		1504470	5.000	2.000	I	2516059	61.81
	CLAMP		2512955	3.500	1.750	I	2516071	46.65
35AWS	BOOM	C5WG9-301--C5WG9-999 7WG101-UP	1504471	6.000	2.750	I	2516065	70.42
	BUCKET	C3WA9-91--C3WA9-999 C5WG9-301--C5WG9-999 7WG101-UP	1504470	5.000	2.000	I	2516059	61.81
	STEERING	C3WA9-91--C3WA9-999 C5WG9-301--C5WG9-999 7WG101-UP	1524562	2.500	1.000	I	2516055	22.28

All manufacturer's names, part numbers and descriptions are used for reference purposes only. We do not imply that any part shown is the product of these manufacturers.

INDUSTRIAL SEAL KITS

MOBILE SEAL KITS

VOLVO-MICHIGAN-EUCLID

VOLVO-MICHIGAN-EUCLID

WHEEL LOADER

Model	Application	Serial Number	Cylinder Group	Bore	Rod	I	Ref. Number RVME-	\$
						M		
	CLAMP	C3WA9-91--C3WA9-999 C5WG9-301--C5WG9-999 7WG101-UP C3WA9-91--C3WA9-999	1524563	3.500	1.750	I	2516071	46.65
		2512955						
35B	STEERING		1524562 1524563	2.500	1.000	I	2516055	22.28
	CLAMP			3.500	1.750	I	2516071	46.65
35C	BOOM	458A101CB-116CB 472A101CB-255CB	2521773	4.000	2.000	I	2530107	42.99
		458A101CB-116CB 472A101CB-255CB 458A117CB-UP 472A256CB-UP 458A101CB-116CB 472A101CB-255CB	2521774 2523265 2523266					
		472C220CB-UP 472C220CB-UP 472D101CB-UP 807B101CB-UP 472D101CB-UP 807B101CB-UP	2538680 2538682 2533144 2533145	4.000	2.000	I	2551403	61.99
		472C9101-UP 807A9101-UP 472C9101-UP 807A9101-UP 472D9101-UP 807B9101-UP	2538692 2538691 2530960 2530961	4.500 4.500	2.000	I	2538178 2551398	44.98 65.09
	BUCKET	472D9101-UP 807B9101-UP 458A101CB-116CB 472A101CB-255CB 458A101CB-116CB 472A101CB-255CB	2521041 2521043	3.500	1.750	I	2538174	34.87
		458A117CB-UP 472A256CB-327CB 458A117CB-UP 472A256CB-327CB 472A328CB-UP 472A328CB-UP	2523230 2523229 2526749 2526750					
		472C220CB-UP 472C220CB-UP 472C9101-UP 807A9101-UP 472D101CB-UP 807B101CB-UP	2538687 2538686 2538697 2538696 2533904	3.500	1.750	I	2542570	66.74

All manufacturer's names, part numbers and descriptions are used for reference purposes only. We do not imply that any part shown is the product of these manufacturers.

INDUSTRIAL
SEAL KITS

MOBILE
SEAL KITS

VOLVO-MICHIGAN-EUCLID

Remsa [KITS]

WHEEL LOADER

VOLVO-MICHIGAN-EUCLID

Model	Application	Serial Number	Cylinder Group	Bore	Rod	I	Ref. Number RVME-	\$
						M		
		472D101CB-UP	2533906					
		807B101CB-UP						
		472D9101CB-UP	2533903					
		807B9101CB-UP						
		472D101CB-UP	2533905					
		807B101CB-UP						
35R	BOOM			6.000	2.750	I	2516065	70.42
	BUCKET			5.000	2.000	I	2516059	61.81
	STEERING			2.500	1.000	I	2516055	22.28
	CLAMP			3.500	3.500	I	2516071	46.65
45A	BOOM		1504472	7.000	2.750	I	2516148	92.39
	BUCKET		1504470	5.000	2.000	I	2516059	61.81
	STEERING		1524562	2.500	1.000	I	2516055	22.28
			1524563					
45B, 45FB	BOOM		3980095	4.500	2.000	I	2516271	48.49
	BUCKET		3980108	3.500	1.750	I	2516270	46.99
			3980125					
	STEERING		3980906	2.500	1.250	I	2516272	23.54
	GRAPPLE		1539308	3.500	1.750	I	2516071	46.65
	CLAMP		1539308	3.500	1.750	I	2516071	46.65
45C	BOOM	459A101CB-140CB	2521767	4.500	2.000	I	2538178	44.98
		473A101CB-322CB						
		459A101CB-140CB	2521768					
		473A101CB-322CB						
		459A141CB-UP	2522734					
		473A323CB-UP						
		459A141CB-UP	2522735	4.500	2.000	I	2538178	44.98
		473A323CB-UP						
		459D123CB-UP	2538692					
		473C	2538691					
	459A141CB-UP	2538691						
	473A323CB-UP							
		459E101CB-UP	2530960	4.500	2.000	I	2551398	65.09
		473D101CB-UP						
		485B101CB-UP						
		459E101CB-UP	2530961					
		473D101CB-UP						
		485B101CB-UP						
		459C9501-UP	2531210	5.000	2.250	I	2542577	84.05
		473C9501-UP						
		485A9501-UP						
		459E9101CB-UP						
		473D9101CB-UP						
		485B9101CB-UP						

All manufacturer's names, part numbers and descriptions are used for reference purposes only. We do not imply that any part shown is the product of these manufacturers.

INDUSTRIAL SEAL KITS

MOBILE SEAL KITS

VOLVO-MICHIGAN-EUCLID

VOLVO-MICHIGAN-EUCLID

WHEEL LOADER

Model	Application	Serial Number	Cylinder Group	Bore	Rod	I	Ref. Number RVME-	\$	
						M			
		459C9501-UP 473C9501-UP 485A9501-UP 459E9101CB-UP 473D9101CB-UP 485B9101CB-UP	2531211						
	BUCKET	459A101CB-140CB 473A101CB-322CB 459A101CB-140CB 473A101CB-322CB 459A141CB-155CB 473A323CB-403CB	2521044 2521042 2522923	3.500	1.750	I	2538174	34.87	
		459A141CB-155CB 473A323CB-403CB 459A156CB-UP 473A404CB-UP 459A156CB-UP 473A404CB-UP	2522924 2526536 2526537						
		459D123CB-UP, 473C 459D123CB-UP, 473C 459E101CB-UP 473D101CB-UP 485B101CB-UP 459E101CB-UP	2538696 2538697 2533903 2533905	3.500	1.750	I	2542570	66.74	
		473D101CB-UP 485B101CB-UP 459C9501CB-UP 473C9501-UP 485A9501-UP 459C9501CB-UP	2531025 2531024	4.000	2.000	I	2551403	61.99	
		473C9501-UP 485A9501-UP		3.500	2.000	I	2538184	64.70	
55A, 55A-11, 55-III, 55-IIIA GRR	BOOM	9BG101-UP	1508377	3.500	1.750	I	2516071	46.65	
		9BA101-UP		3.500	2.000	I	2516073	43.00	
			416A101-416A499 4160A101FSC-4160A499FSC 433A101-UP 416A500-UP 4160A500FSC-UP	1507822 1546056	5.000	2.250	I	2516060	42.06
			4152A102FSC-UP 416A101-416A499 4160A101FSC-4160A499FSC 433A101-UP 416A500-UP 4160A500FSC-UP	1507823 1546057					

All manufacturer's names, part numbers and descriptions are used for reference purposes only. We do not imply that any part shown is the product of these manufacturers.

INDUSTRIAL
SEAL KITS

MOBILE
SEAL KITS

VOLVO-MICHIGAN-EUCLID

Remsa [KITS]

WHEEL LOADER

VOLVO-MICHIGAN-EUCLID

Model	Application	Serial Number	Cylinder Group	Bore	Rod	I	Ref. Number RVME-	\$
						M		
		4152A102FSC-UP 433B700CAC-UP 433B395FSC-UP 416C857CAC-UP 416C205FSC-UP 433B700CAC-UP	2514111 2514122	5.000	2.250	I	2516058	50.09
		433B395FSC-UP 416C857CAC-UP 416C205FSC-UP		5.000 5.000	2.250 2.250	I I	2530108 2542577	51.29 84.05
	BUCKET		1539308	3.500	1.750	I	2516071	46.65
		9BG101-UP 9BA101-UP	1507711	3.500	2.000	I	2516073	43.00
		433A101-433A110 416A101-416A519 4160A500FSC-UP 4152A102FSC-UP	1545412	4.000	2.000	I	2516090	41.02
		433A111-UP 416A520-UP	1549758					
				4.000 4.000	2.000 2.000	I I	2530107 2551403	42.99 61.99
	STEERING	9BG101-UP 9BA101-UP	1503828	2.500	1.000	I	2516055	22.28
		433B101C-UP 433B101ENC-UP 433B101FSC-631FSC 416C101C-UP 416C101FSC-273 4152101ENC-UP 4152C101FSC-UP	1508904	3.500	1.750	I	2516072	34.80
				3.500 3.500	1.750 1.750	I I	2538177 2542570	51.93 66.74
	CLAMP SIDE DUMP		1539308 1545577	3.500 3.500	1.750 2.000	I I	2516071 2516073	46.65 43.00
55B	BOOM			3.500 3.500 5.000 5.000	1.750 2.000 2.250 2.250	I I I I	2516071 2516073 2516060 2516058	46.65 43.00 42.06 50.09
			2514111 2514122	5.000	2.250	I	2530108	51.29
				5.000	2.250	I	2542577	84.05
	BUCKET			3.500 3.500 4.000	1.750 2.000 2.000	I I I	2516071 2516073 2516090	46.65 43.00 41.02
			2532635	4.000 4.000	2.000 2.000	I I	2530107 2551403	42.99 61.99

All manufacturer's names, part numbers and descriptions are used for reference purposes only. We do not imply that any part shown is the product of these manufacturers.

INDUSTRIAL SEAL KITS

MOBILE SEAL KITS

VOLVO-MICHIGAN-EUCLID

KITS 590

VOLVO-MICHIGAN-EUCLID

WHEEL LOADER

Model	Application	Serial Number	Cylinder Group	Bore	Rod	I	Ref. Number RVME-	\$
						M		
	STEERING		2532705	2.500	1.000	I	2516055	22.28
				3.500	1.750	I	2516072	34.80
				3.500	1.750	I	2538177	51.93
				3.500	1.750	I	2542570	66.74
	CLAMP SIDE DUMP		1539306	3.500	1.750	I	2516071	46.65
			1545577	3.500	2.000	I	2516073	43.00
55C	BOOM	480A, 480B101CB-152CB	2523872	5.000	2.250	I	2530108	51.29
		481A, 481B101CB-136CB						
		480B153CB-UP 481B137CB-UP	2538707					
		480A, 480B101CB-152CB	2523873					
		481A, 481B101CB-136CB						
		480B153CB-UP	2538706					
		481B137CB-UP						
	BUCKET		2531210	5.000	2.250	I	2542577	84.05
			2531211					
			2526668	4.000	2.000	I	2530107	42.99
			2538701					
			2526667					
		2538702						
		2531024	4.000	2.000	I	2551403	61.99	
		2531025						
75A-II	BOOM			5.000	2.000	I	2516059	61.81
				4.500	2.250	I	2516070	58.82
	5.000			2.250	I	2516061	59.41	
	5.000			2.000	I	2516059	61.81	
	4.000			2.000	I	2516088	61.74	
	4.500			2.250	I	2516070	58.82	
BUCKET			1503828	2.500	1.000	I	2516055	22.28
				3.500	1.750	I	2516071	46.65
	CLAMP			3.500	1.750	I	2516071	46.65
	SIDE DUMP			3.500	1.750	I	2516071	46.65
75-III	BOOM	10CG101-UP	1503887	4.500	2.250	I	2516070	58.82
	BUCKET	10CG101-UP	1507808	4.000	2.000	I	2516088	61.74
			1503233					
	STEERING	10CG101-UP	1503828	2.500	1.000	I	2516055	22.28
75-III A	BOOM		1535946	5.000	2.000	I	2516059	61.81
				5.000	2.250	I	2516061	59.41
	BUCKET				5.000	2.000	I	2516059
			1536064	4.500	2.250	I	2516070	58.82
			1509802					
75C-III A	STEERING		1504836	3.500	1.750	I	2516071	46.65
	CLAMP		1539308	3.500	1.750	I	2516071	46.65
	SIDE DUMP			3.500	1.750	I	2516071	46.65

INDUSTRIAL SEAL KITS

MOBILE SEAL KITS

VOLVO-MICHIGAN-EUCLID

All manufacturer's names, part numbers and descriptions are used for reference purposes only. We do not imply that any part shown is the product of these manufacturers.

Remsa [KITS]

WHEEL LOADER

VOLVO-MICHIGAN-EUCLID

Model	Application	Serial Number	Cylinder Group	Bore	Rod	I	Ref. Number RVME-	\$	
						M			
75B, LF75B	BOOM		1546056	5.000	2.250	I	2516060	42.06	
			1546057						
			2518076	5.000	2.250	I	2516058	50.09	
			2518075						
			1518977						
		1518978							
		2514111							
		2514122							
		2518076	5.000	2.250	I	2530108	51.29		
		2518075							
	1518977								
	1518978								
			2527513						
			2528565						
			2527549						
			2528566						
			2541827	5.000	2.250	I	2542577	84.05	
			2541828						
	BUCKET		1511554	4.250	2.250	I	2516054	44.02	
			2518071						
			2520412	5.000	2.000	I	2516058	50.09	
			2532204						
				964581	5.000	2.250	I	2530108	51.29
			964581	5.000	2.250	I	2542577	84.05	
	STEERING		1508904	3.500	2.250	I	2516072	34.80	
				3.500	1.750	I	2538177	51.93	
	CLAMP SIDE DUMP		2532706	3.500	1.750	I	2542570	66.74	
			1539308	3.500	1.750	I	2516071	46.65	
			1545577	3.500	2.000	I	2516073	43.00	
75C	BOOM			5.000	2.250	I	2530108	51.29	
			2541827	5.000	2.250	I	2542577	84.05	
		2541828							
	BUCKET			5.000	2.250	I	2516058	50.09	
				5.000	2.250	I	2530108	51.29	
			964581	5.000	2.250	I	2542577	84.05	
	STEERING		2532204						
				5.000	2.750	I	2538187	50.77	
				2541652	5.000	2.750	I	2542569	74.30
				3.500	1.750	I	2538177	51.93	
				2532705	3.500	1.750	I	2542570	66.74
			964667						
85A, 85A-II	STEERING		2541853						
			964792						
			2529205						
			1503828	2.500	1.000	I	2516055	22.28	
			1503875						

All manufacturer's names, part numbers and descriptions are used for reference purposes only. We do not imply that any part shown is the product of these manufacturers.

INDUSTRIAL SEAL KITS

MOBILE SEAL KITS

VOLVO-MICHIGAN-EUCLID

VOLVO-MICHIGAN-EUCLID

WHEEL LOADER

Model	Application	Serial Number	Cylinder Group	Bore	Rod	I	Ref. Number RVME-	\$	
						M			
85-III, 85-IIIA	BOOM		1503887	5.000	2.000	I	2516059	61.81	
			1502853	4.500	2.250	I	2516070	58.82	
			1502854	6.000	2.750	I	2516065	70.42	
			1507808	6.000	2.750	I	2516065	70.42	
	BUCKET		1509813	4.000	2.000	I	2516088	61.74	
			1509813	4.500	2.250	I	2516070	58.82	
	STEERING		1503875	2.500	1.000	I	2516055	22.28	
			1531950	3.500	1.750	I	2516071	46.65	
			1531950	4.500	2.250	I	2516070	58.82	
	CLAMP SIDE DUMP		1531950	5.000	2.000	I	2516059	61.81	
1531950			5.000	2.000	I	2516059	61.81		
125A, 125A-II, 125-IIIA	BOOM	12AFC101-UP	1503235	6.000	2.750	I	2516065	70.42	
		12AFG101-UP	1503236	7.000	2.750	I	2516148	92.39	
	BUCKET	404A101-404A299	1503234	6.000	2.750	I	2516065	70.42	
		403A101-403A299							
		404A300-UP	1543216						
	STEERING		403A300-UP		7.000	2.750	I	2516148	92.39
			12AFC101-UP	1509846	4.500	2.250	I	2516070	58.82
			12AFG101-UP						
			12AFC101-UP		3.500	1.750	I	2516071	46.65
			12AFG101-UP						
125B	BOOM		1519174	6.000	2.750	I	2518493	84.32	
			1519175						
			2517390						
			2517389						
	BUCKET			1519173	6.000	2.750	I	2538182	74.24
				2517395	6.000	2.750	I	2542568	197.44
				1519173	4.500	2.250	I	2516152	53.20
				2517395	4.500	2.250	I	2538179	48.13
				2517395	4.500	2.250	I	2542576	70.08
				2517395	5.000	2.750	I	2538187	50.77
STEERING			2501171	5.000	2.750	I	2542569	74.30	
			2501171	3.500	1.750	I	2516072	34.80	
			2501171	3.500	1.750	I	2538177	51.93	
125C	BOOM		2501171	3.500	1.750	I	2542570	66.74	
			2528568	2501171	6.000	2.750	I	2538182	74.24
			2528570						
			2528982						
			2528983						
496A101CB-130CB	964597	6.000	2.750	I	2542568	197.44			
497A101CB-146CB									
496A101CB-130CB	964598								
497A101CB-146CB									

INDUSTRIAL SEAL KITS

MOBILE SEAL KITS

VOLVO-MICHIGAN-EUCLID

All manufacturer's names, part numbers and descriptions are used for reference purposes only. We do not imply that any part shown is the product of these manufacturers.

Remsa [KITS]

WHEEL LOADER

VOLVO-MICHIGAN-EUCLID

Model	Application	Serial Number	Cylinder Group	Bore	Rod	I	Ref. Number RVME-	\$
						M		
		496A131CB-169CB 497A147CB-170CB 4244101FSC-156FSC 496A131CB-169CB 497A147CB-170CB 4244101FSC-156FSC	964793 964794					
		496A170CB-UP 497A171CB-UP 4244A157FSC-UP 496A170CB-UP 497A171CB-UP 4244A157FSC-UP	2541357 2541356					
	BUCKET	496A101CB-169CB 497A101CB-190CB 4244A101FSC-169FSC	2554419 2561089 2532213 964796	5.000 5.000	2.750 2.750	I I	2538187 2542569	50.77 74.30
		496A170CB-UP 497A191CB-UP 4244A169FSC-UP	2541648					
	STEERING	496A101CB-169CB 497A101CB-190CB 4244A101FSC-159FSC 496A170CB-UP 497A191CB-UP 4244A160FSC-UP	2554081 2561088 2525743	3.500	1.750	I	2538174	34.87
		496A101CB-169CB 497A101CB-190CB 4244A101FSC-159FSC 496A170CB-UP 497A191CB-UP 4244A160FSC-UP	964797 2541852	3.500	1.750	I	2542570	66.74
175A	STEERING		1503987	3.500	1.750	I	2516071	46.65
175A-II	STEERING		1503987	3.500	1.750	I	2516071	46.65
175-III, 175-IIIA	BOOM BUCKET		1503236 1503234 1543216	7.000 6.000	2.750 2.750	I I	2516148 2516065	92.39 70.42
175B	BOOM		1518400 2518119	7.000 7.000	2.750 2.750	I I	2516155 2518494	133.08 125.42
			964596 2528567	7.000 7.000	2.750 2.750	I I	2538183 2551397	78.25 137.47
	BUCKET		1511622 1517851 2518125	6.000 6.000	2.750 2.750	I I	2516065 2518493	70.42 84.32

All manufacturer's names, part numbers and descriptions are used for reference purposes only. We do not imply that any part shown is the product of these manufacturers.

INDUSTRIAL SEAL KITS

MOBILE SEAL KITS

VOLVO-MICHIGAN-EUCLID

VOLVO-MICHIGAN-EUCLID

WHEEL LOADER

Model	Application	Serial Number	Cylinder Group	Bore	Rod	I	Ref. Number RVME-	\$	
						M			
	STEERING		2524276	6.000	2.750	I	2538182	74.24	
			964798	6.000	2.750	I	2542568	197.44	
			1511641	4.500	2.000	I	2516151	40.48	
			2518117						
			2532353	4.500	2.000	I	2538178	44.98	
			964586	4.500	2.000	I	2551398	65.09	
175C	BOOM		2524467	7.000	3.000	I	2541637	94.76	
			964789	7.000	3.000	I	2542571	168.36	
			2541825						
	BUCKET		2524276	6.000	2.750	I	2538182	74.24	
			964796	6.000	2.750	I	2542568	197.44	
275-III	STEERING		2541789						
			2528848	4.500	2.250	I	2538179	48.13	
			964801	4.500	2.250	I	2542576	70.08	
			2541510						
	BUCKET		1503231	7.000	2.750	I	2516148	92.39	
			1543895						
275-III A	BUCKET		1503231	7.000	2.750	I	2516148	92.39	
			1543895						
	STEERING		1503241	5.500	2.250	I	2516094	60.48	
			1515236						
275B	BOOM		1537215	9.000	3.500	I	2516228	118.05	
			1537216						
			1511408	9.000	3.500	I	2516242	134.83	
			1511407						
			1518399						
			2504218						
	BUCKET			9.000	3.500	I	2538180	154.25	
				9.000	3.500	I	2551396	225.64	
			947456	7.000	2.750	I	2516155	133.08	
			1511406						
			1513815	7.000	2.750	I	2518494	125.42	
	STEERING		2516176						
				7.000	2.750	I	2538183	78.25	
				7.000	2.750	I	2551397	137.47	
			1538181	5.250	2.250	I	2516156	47.88	
			1511749	5.250	2.250	I	2516274	49.89	
			2516160						
275C	BOOM	492A101C-238C 240C, 241C, 242C 492A239C		5.250	2.250	I	2538181	60.42	
				5.250	2.250	I	2551399	94.32	
				9.000	4.000	I	2538193	164.25	
			964802	9.000	4.000	I	2542574	305.61	
			2541292						

INDUSTRIAL SEAL KITS

MOBILE SEAL KITS

VOLVO-MICHIGAN-EUCLID

All manufacturer's names, part numbers and descriptions are used for reference purposes only. We do not imply that any part shown is the product of these manufacturers.

Remsa [KITS]

WHEEL LOADER

VOLVO-MICHIGAN-EUCLID

Model	Application	Serial Number	Cylinder Group	Bore	Rod	I	Ref. Number RVME-	\$
						M		
		243C-999C 492A201CAC-UP	2554810					
	BUCKET	492A101C-225C	964803	7.000	2.750	I	2551397	137.47
	STEERING	492A226C-235C	2541297					
		492A101C-238C	964804	4.500	2.250	I	2542576	70.08
		240C, 241C, 242C, 252C 254C, 255C						
		492A239C, 243C-251C 253C, 255C - 999C 492A201CAC-UP	2541515					
475-III A	BUCKET		1513011	9.000	4.500	I	2516230	149.67
	STEERING	3AYC101-UP	1503659	7.000	2.750	I	2516148	92.39
			2514101	7.000	2.750	I	2518494	125.42
475B	BUCKET		1513011	9.000	4.500	I	2516230	149.67
			2514104					
	STEERING		1503659	7.000	2.750	I	2516148	92.39
			2514101	7.000	2.750	I	2518494	125.42
				7.000	2.750	I	2526058	87.82
			7.000	2.750	I	2551397	137.47	
475C, 475CT	STEERING	483A, 487A, 488A	2527900	6.000	2.750	I	2538182	74.24
		483A, 487A, 488A	964807	6.000	2.750	I	2542568	197.44
		487C, 487B, 483B, 483C	2541333					
675B L30	STEERING	436A	1512049	8.000	3.500	I	2516187	103.16
	ATTACHMENT	-70117	4833424		20.00	M	11990060	44.17
		-70117	11005340		25.00	M	11990175	66.51
		70118-	11001980		20.00	M	11990060	44.17
	LIFT	-70117	11005193	100.00	50.00	M	6630513	62.92
		70118-	11001575	100.00	50.00	M	6630564	73.56
	TILT	-70117	11005194	80.00	40.00	M	11990106	67.07
		70118-	11001576	80.00	40.00	M	6630662	52.05
	STEERING	-70117	11005192	63.00	32.00	M	6630661	80.75
		70118-	11001574					
L50	ATTACHMENT	ALL	4833424	45.00	20.00	M	11990060	44.17
		ALL	11005340	45.00	25.00	M	11990175	66.51
	LIFT	-6400, -60300 (USA)	4784618	100.00	50.00	M	6630513	62.92
		-6400, -60300 (USA)	4782418	80.00	40.00	M	6630560	85.02
		6401-, 60301 (USA)-	11005271	90.00	50.00	M	11990244	58.15
	TILT	-6400, -60300 (USA)	4833111	90.00	50.00	M	6630858	51.68
		-6400, -60300 (USA)	4782424	100.00	50.00	M	6630562	59.80
		6401-, 60301 (USA)-	110052630	80.00	45.00	M	11990243	33.35
	STEERING	ALL	4784920	63.00	32.00	M	6630661	80.75

All manufacturer's names, part numbers and descriptions are used for reference purposes only. We do not imply that any part shown is the product of these manufacturers.

INDUSTRIAL SEAL KITS

MOBILE SEAL KITS

VOLVO-MICHIGAN-EUCLID

VOLVO-MICHIGAN-EUCLID

WHEEL LOADER

Model	Application	Serial Number	Cylinder Group	Bore	Rod	I	Ref. Number RVME-	\$
						M		
L50B	TILT	ALL	11088017	125.00	70.00	M	11990437	132.48
	LIFT	ALL	11088016	90.00	60.00	M	11990438	86.84
	STEERING	ALL	11005137	70.00	40.00	M	11990439	63.81
		ALL	11088072					
L70	ATTACHMENT	ALL	4833424		20.00	M	11990060	44.17
		ALL	11005340		25.00	M	11990175	66.51
	LIFT	-7400, -60500 (USA)	4833304	110.00	60.00	M	11990028	64.34
		7401-, 60501 (USA)-	11005288	100.00	60.00	M	11990181	52.79
	TILT	-7400, -60500 (USA)	4833399	100.00	50.00	M	6630513	62.92
		7401-, 60501(USA)-	11005284	100.00	50.00	M	11990180	63.67
	STEERING	ALL	4784940	70.00	36.00	M	6630909	53.14
L70B			11005388					
	STEERING	ALL	11088289	70.00	40.00	M	11990439	63.81
L90	ATTACHMENT	ALL	4741301		20.00	M	6630475	38.12
		ALL	4833424		20.00	M	11990060	44.17
		ALL	11005340		25.00	M	11990175	66.51
	LIFT	ALL	11005000	120.00	60.00	M	11990026	105.53
		ALL	11005178					
	TILT	-11015	4833225	110.00	60.00	M	11990028	64.34
		11016-	11088064					
STEERING	ALL	4784553	80.00	50.00	M	11990050	51.99	
L90B	ATTACHMENT	ALL	11005340	45.00	25.00	M	11990175	66.51
	LIFT	ALL	11088062	120.00	60.00	M	11990026	105.53
	TILT	ALL	11088064	110.00	60.00	M	11990028	64.34
	STEERING	ALL	11088065	80.00	50.00	M	11990050	51.99
L120	ATTACHMENT	ALL	4741301		20.00	M	6630475	38.12
		ALL	4833424		20.00	M	11990060	44.17
		ALL	11005340		25.00	M	11990175	66.51
	LIFT	ALL	4833249	140.00	70.00	M	11990029	150.27
	TILT	ALL	4833231	125.00	70.00	M	11990027	91.63
	STEERING	ALL	4833261	80.00	50.00	M	11990050	51.99
L120B	LIFT	ALL	11088048	140.00	70.00	M	11990404	125.55
	TILT	ALL	11088046	125.00	60.00	M	11990405	79.17
	ATTACHMENT	ALL	11005340		25.00	M	11990175	66.51
	STEERING	ALL	11088049	80.00	50.00	M	11990050	51.99
L120C	LIFT			160.00	80.00	M	11999894	251.85
	TILT			230.00	110.00	M	11999892	383.62
	STEERING			80.00	50.00	M	11999906	61.43
L140	LIFT	831A, 831AC	2561089	6.000	2.750	I	2542568	197.44
	TILT	831A, 831AC	2561088	5.000	2.750	I	2542569	74.30

INDUSTRIAL SEAL KITS

MOBILE SEAL KITS

VOLVO-MICHIGAN-EUCLID

All manufacturer's names, part numbers and descriptions are used for reference purposes only. We do not imply that any part shown is the product of these manufacturers.

Remsa [KITS]

WHEEL LOADER

VOLVO-MICHIGAN-EUCLID

Model	Application	Serial Number	Cylinder Group	Bore	Rod	I	Ref. Number RVME-	\$
						M		
L150	ATTACHMENT STEERING	ALL	11005392	63.00	32.00	M	6630661	80.75
		ALL	11005294	90.00	50.00	M	11990347	59.41
L150C	LIFT			170.00	90.00	M	11990349	384.20
L160	LIFT	-2704, 60117 (USA) -	4833410	170.00	80.00	M	6630510	180.34
		-2704, 60117 (USA) -	11005152					
		-2704	4833411					
		2705-2981	11005153					
		2982-, 60208 (USA)-	11005247	160.00	80.00	M	11990158	161.86
	2982-	11005251						
	TILT	ALL	4833412	140.00	70.00	M	6630938	106.39
L180	ATTACHMENT	ALL	4784247	63.00	28.00	M	6630749	68.05
		ALL	11005392	63.00	32.00	M	6630661	80.75
		ALL	4782993	100.00	50.00	M	6630513	62.92
		ALL	4782979	125.00	60.00	M	11000107	127.84
		ALL	4833321	140.00	70.00	M	6630650	97.31
		ALL	4784151	125.00	60.00	M	11000107	127.84
		ALL	4782803	110.00	50.00	M	6630511	62.36
L180	LIFT, HIGH	ALL	4782993	100.00	50.00	M	6630513	62.92
		ALL	4833321	140.00	70.00	M	6630650	97.31
		ALL	11005392	63.00	32.00	M	6630661	80.75
		ALL	11005404	100.00	50.00	M	11990398	55.19
L180C	TILT			260.00	120.00	M	11990395	606.30
L190	TILT	828A101-828A672	2562742	6.000	2.750	I	2542568	197.44
		828AC673-828AC788						
L270	LIFT	827A101-UP	2561435	9.000	4.000	I	2542574	305.61
	TILT	827A101-UP	2561422	7.500	3.500	I	2562116	194.58
	STEERING	827A101-UP	2559738	5.000	2.750	I	2562115	177.03
		827A101-UP	12579007	5.000	2.750	I	2562115	177.03
L270B	LIFT	827BC00501-UP	2561435	9.000	4.000	I	2542574	305.61
	TILT	827BC00501-UP	2561422	7.500	3.500	I	2562116	194.58
	STEERING	827BC00501-UP	12579007	5.000	2.750	I	2562115	177.03
L320	LIFT	811A101-UP	2558980	9.000	4.500	I	2562117	272.59
	TILT	811A101-UP	2559495	7.500	3.500	I	2562116	194.58
		811AC00651-UP						
L480, L480B, L480T	STEERING	811A101-UP	12579807	5.000	2.750	I	2562115	177.03
		811AC00651-UP						
		830A101-UP	2541333	6.000	2.750	I	2542568	197.44

All manufacturer's names, part numbers and descriptions are used for reference purposes only. We do not imply that any part shown is the product of these manufacturers.

INDUSTRIAL SEAL KITS

MOBILE SEAL KITS

VOLVO-MICHIGAN-EUCLID

VOLVO-MICHIGAN-EUCLID

WHEEL DOZER

Model	Application	Serial Number	Cylinder Group	Bore	Rod	I	Ref. Number RVME-	\$
						M		
180	TILT	1896, 1898-1902 2823-2891, 1823-1895 1897, 1903, 1904	1503598	6.000	2.750	I	2516065	70.42
		2892-2942 2LC52-UP 2LG101-UP	1503986	3.500	1.750	I	2516071	46.65
180-III	PITCH	2892-2942 2LC52-UP 2LG101-UP	1503598	6.000	2.750	I	2516065	70.42
		LIFT	5LC101-UP 6LG101-UP	1503608	5.000	2.000	I	2516059
	PITCH	4035B101FSC-UP 5LC101-UP 6LG101-UP	1503598	6.000	2.750	I	2516065	70.42
		STEERING	4035B101FSC-UP 5LC101-UP 6LG101-UP	1503987	3.500	1.750	I	2516071
280, 280-III	TILT	4035B101FSC-UP 5LC101-UP 6LG101-UP 4035B101FSC-UP	1503986	3.500	1.750	I	2516071	46.65
		LIFT	32123-32999	1503604	6.000	2.750	I	2516065
280-III	PITCH	1MC156-3MC999 1MG1-3MG999 32123-32999 1MC156-3MC999 1MG1-3MG999	1503607	6.000	2.750	I	2516065	70.42
		280-IIIA	LIFT	8AMC192-UP 9AMG425-4047B101FSC 456B101-999 456C101-145C 460D101C-130C 8AMC101-8AMC192	1503604	6.000	2.750	I
	PITCH	9AMG125-9AMG424 456C146C-UP 460D131C-UP	2522607	6.000	2.750	I	2538182	74.24
		TILT	460D131C-UP 8AMC101-9AMC999 9AMG122, 9AMG124-UP	964665 1503606	4.500 5.250	2.000 2.750	I I	2551398 2516094
	STEERING	4047B101FSC-UP 460D101-130C 460D131C- 460D131C-	2522880 964662	5.250 5.250	2.250 2.250	I I	2538181 2551399	60.42 94.32
		8AMC101-8AMC217 9AMG125-9AMG469	1503241	5.250	2.750	I	2516094	60.48

All manufacturer's names, part numbers and descriptions are used for reference purposes only. We do not imply that any part shown is the product of these manufacturers.

Remsa [KITS]

WHEEL DOZER

VOLVO-MICHIGAN-EUCLID

Model	Application	Serial Number	Cylinder Group	Bore	Rod	I	Ref. Number RVME-	\$	
						M			
		3AMC218-UP 9AMG470-UP 4047B101FSC-UP 456B101-999 456C101C-145C 460D101-130C	1515236						
		456B101-999 456C101-145C	1503606						
		456C146C-UP 460D131C-UP	2522932	5.250	1.750	I	2538181	60.42	
		456C146C-UP 456C146C-UP	2522880 964584	5.250	1.750	I	2551399	94.32	
280B	LIFT	498A, 499A	2522607	6.000	2.750	I	2538182	74.24	
		498A, 499A	962698	6.000	2.750	I	2542568	197.44	
	PITCH STEERING	498A, 499A	964665	4.500	2.000	I	2551398	65.09	
		498A, 499A	2528419	5.250	1.750	I	2538181	60.42	
	TILT	498A, 499A	964663	5.250	1.750	I	2551399	94.32	
		498A, 499A	2522880	5.250	2.250	I	2538181	60.42	
280C	LIFT	498A, 499A	964662	5.250	2.250	I	2551399	94.32	
		819A	2522607	6.000	2.750	I	2538182	74.24	
		819A	12565916						
		819A	962698	6.000	2.750	I	2542568	197.44	
380-III	TILT	819A	2522880	5.250	2.250	I	2538181	60.42	
		819A	964662	5.250	2.250	I	2551399	94.32	
	PITCH STEERING	819A	964665	4.500	2.000	I	2551398	65.09	
		819A	2528419	5.250	1.750	I	2538181	60.42	
	380-III	TILT	819A	964663	5.250	1.750	I	2551399	94.32
			5RG101-UP	1503603	6.000	2.750	I	2516065	70.42
380-III A, 380B	LIFT	418A101-418A405, 434A	1531615	6.000	2.750	I	2516065	70.42	
		418A406-UP	1510225						
		418D, 484A, 434A							
380B	PITCH	418A101-999	1505457	5.250	2.250	I	2516094	60.48	
		418D, 484A, 434A							
380B	LIFT	418F101K-114K 484B101K-108K 434C101K-104K	1510225	6.000	2.750	I	2516065	70.42	
		418F115K-UP 484B109K-UP 434C105K-UP 484C101C-136C 808A101C-110C 810A101C-999C	2522115	6.000	2.750	I	2538182	74.24	

All manufacturer's names, part numbers and descriptions are used for reference purposes only. We do not imply that any part shown is the product of these manufacturers.

INDUSTRIAL SEAL KITS

MOBILE SEAL KITS

VOLVO-MICHIGAN-EUCLID

VOLVO-MICHIGAN-EUCLID

WHEEL DOZER

Model	Application	Serial Number	Cylinder Group	Bore	Rod	I	Ref. Number RVME-	\$
						M		
		434D101C-999C 418F, 484B, 434C, 813A 813B, 813BC	2552344					
		484C101C-136C 808A101C-110C 810A101C-999C	962697	6.000	2.750	I	2542568	197.44
		434D101C-999C 484C137C-999C 808A111C-999C 808A101CAC-UP 484C101CAC-UP 810A101CAC-UP	964787					
	TILT	813A, 813B, 813BC 813A, 813B, 813BC 813A, 813B, 813BC	2556914 12568715 12572636					
		418F115K-UP 484B109K-UP 434C105K-UP	2522120	6.000	2.750	I	2538182	74.24
		484C, 808A, 434D, 810A 813A, 813B, 813BC						
		418F115K-UP 484B109K-UP 434C105K-UP	964577	6.000	2.750	I	2542568	197.44
		484C, 808A, 434D, 810A						
	PITCH	813A, 813B, 813BC						
		418F101K-114K 484B101K-108K 434C101K-104K	1505457	5.250	2.250	I	2516094	60.48
		418F115K-UP 484B109K-UP	2522411	5.250	2.250	I	2538181	60.42
		434C105K-UP						
		484C, 808A, 434D, 810A 813A, 813B, 813BC						
		418F115K-UP 484B109K-UP 434C105K-UP	964583	5.250	2.250	I	2551399	94.32
		484C, 808A, 434D, 810A 813A, 813B, 813BC						
		813A, 813B, 813BC	2556971					
	STEERING	418F115K-UP 484B109K-UP 434C105K-UP	2522598	8.000	3.500	I	2538186	166.30
		484C, 808A, 434D, 810A 813A, 813B, 813BC						
W380	TILT		2561629	6.000	2.750	I	2542568	197.44

INDUSTRIAL SEAL KITS

MOBILE SEAL KITS

VOLVO-MICHIGAN-EUCLID

All manufacturer's names, part numbers and descriptions are used for reference purposes only. We do not imply that any part shown is the product of these manufacturers.

Remsa [KITS]

ARTICULATED DUMP TRUCK

VOLVO-MICHIGAN-EUCLID

Model	Application	Serial Number	Cylinder Group	Bore	Rod	I	Ref. Number RVME-	\$
						M		
A20	TILT	-1126	4942058-1	75,90,105,120,140,160		M	6630852	291.17
		1127-1532	11053262-9					
	STEERING	1553-	11053261-1	60,75,90,105,120,140		M	6630839	257.90
			4833274-6	100.00	70.00	M	6630443	56.34
A25	TILT	-5486	11053262-9	75,90,105,120,140,160		M	6630852	291.17
		5487-UP	11061382-5	75,95,105,120,140		M	11993411	305.61
		-4066	4941761-1	70, 105, 120, 140		M	6213407	307.22
		-4091	4941338-8	60,75,90,105,120,140		M	6630839	257.90
		4092-5486	11053261-1					
		4067-5598	11043078-2		75, 120, 140		M	11991589
		5599-UP	11061383-3	75, 120, 140		M	11993103	158.00
	STEERING		4833274-6	100.00	70.00	M	6630443	56.34
A25B	STEERING		4833274-6	100.00	70.00	M	6630443	56.34
A25C	STEERING	-10256/ -60911	4833274-6	100.00	70.00	M	6630443/7	51.60
	TIPPING	-10256/ -60911	11005475-6	125.00	70.00	M	11990351/6	171.51
A30	STEERING	-1183; -1186 (USA)	11005212-3	100.00	60.00	M	6630843	54.49
		1184-UP;1187 (USA)-UP	11088154-7					
	TIPPING	1012-	11088306-3	140.00	80.00	M	11990170/0	171.44
			11005120-8					
A30C	HOIST	-2320/ -2275	11088306-3	140.00	80.00	M	11990170/0	171.44
			11088815-3					
	STEERING	-2320/ -2275	11088154-7	100.00	60.00	M	6630843/8	53.23
A35	TILT	-1194; -1200 (USA)	11043080-8	75, 120, 140		M	11991589	196.11
		1195-UP; 1201 (USA) -UP	11061384-1	75, 120, 140		M	11993103	158.00
	STEERING	-1881; -1885 (USA)	4833125-0	100.00	70.00	M	11990070	71.12
		1882-UP; 1886 (USA) -UP	11088155-4					
A35C	STEERING	-4260	11088751-0	110.00	70.00	M	11701665/9	47.31
	TILT	-4260	11061384-1	75, 120, 140		M	11993103/8	149.75
5350B	TILT		4942058-1	75,90,105,120,140,160		M	6630852	291.17
			4942058-1					
			11053262-9					
			4941761-1	70, 105, 120, 140		M	6213407	307.22
			4941338-8	60,75,90,105,120,140		M	6630839	257.90
	STEERING	-2475	11053261-1					
		2746-UP	4782849-6	100.00	70.00	M	6630443	56.34
			4833274-6					

All manufacturer's names, part numbers and descriptions are used for reference purposes only. We do not imply that any part shown is the product of these manufacturers.

INDUSTRIAL SEAL KITS

MOBILE SEAL KITS

VOLVO-MICHIGAN-EUCLID

VOLVO-MICHIGAN-EUCLID

LOG SKIDDER

Model	Application	Serial Number	Cylinder Group	Bore	Rod	I	Ref. Number	\$
						M		
F65	STEER & BLADE	553C,553GC,554G,554GC	2552115	4.000	2.000	I	2551403	61.99
	ARCH	553C,553GC,554G,554GC	2552115	4.000	2.000	I	2551403	61.99
	GRAPPLE	553C,553GC,554G,554GC	2552121	4.000	2.000	I	2551403	61.99
662	STEER & BLADE	501A,501B,502A,502B	1904666	3.500	1.750	I	1991086	40.94
664	STEER & BLADE	C9014,C9024,C9034,C9044	1904674	3.500	1.750	I	1991086	40.94
		C9014,C9024,C9034,C9044	1906258					
664B	STEER & BLADE	514E,514F,508A,508B,508C	1906258	3.500	1.750	I	1991086	40.94
	ARCH	514E,514F,508A,508B,508C	1906258	3.500	1.750	I	1991086	40.94
664C	GRAPPLE	514E,514F,508A,508B,508C	1916232	6.000	2.750	I	1991089	91.37
	STEER & BLADE	514H,508H,546H	1904666	3.500	1.750	I	1991086	40.94
	ARCH	514H,508H,546H	1904666	3.500	1.750	I	1991086	40.94
	GRAPPLE	514H,508H,546H	1916232	6.000	2.750	I	1991089	91.37
664D	STEER & BLADE	528A-528D,540A	2552115	4.000	2.000	I	2551403	61.99
		529C,551D-551G						
	ARCH	528A-528D,540A	2552115	4.000	2.000	I	2551403	61.99
		529C,551D-551G						
F665	STEER & BLADE	553G,554G	2552115	4.000	2.000	I	2551403	61.99
	ARCH	553G,554G	2552115	4.000	2.000	I	2551403	61.99
	GRAPPLE	553G,554G	2552121	4.000	2.000	I	2551403	61.99
666	STEER & BLADE	C9016,C9026,C9036,C9046	1904674	3.500	1.750	I	1991086	40.94
		C9016,C9026,C9036,C9046	1906258					
666B	STEER & BLADE	513E-513G,515A	1904674	3.500	1.750	I	1991086	40.94
		500D-500G,526A						
		513E-513G,515A	1906258					
		500D-500G,526A						
	ARCH	513E-513G,515A	1906258	3.500	1.750	I	1991086	40.94
		500D-500G,526A						
666C	GRAPPLE	513E-513G,515A	1916232	6.000	2.750	I	1991089	91.37
		500D-500G,526A						
	STEER & BLADE	513H,500H,515H,542H,526H	1904666	3.500	1.750	I	1991086	40.94
		513H,500H,515H,542H,526H	1904666					
	ARCH	513H,500H,515H,542H,526H	1904666	3.500	1.750	I	1991086	40.94
666D	GRAPPLE	513H,500H,515H,542H,526H	2552121	4.000	2.000	I	2551403	61.99
		513H,500H,515H,542H,526H	1916232	6.000	2.750	I	1991089	91.37
	ARCH	548A,549A,552A	2552115	4.000	2.000	I	2551403	61.99
		555A,559A,564B						
	GRAPPLE	548A,549A,552A	2552121	4.000	2.000	I	2551403	61.99

All manufacturer's names, part numbers and descriptions are used for reference purposes only. We do not imply that any part shown is the product of these manufacturers.

INDUSTRIAL
SEAL KITS

MOBILE
SEAL KITS

VOLVO-MICHIGAN-EUCLID

Remsa [KITS]

LOG SKIDDER

VOLVO-MICHIGAN-EUCLID

Model	Application	Serial Number	Cylinder Group	Bore	Rod	I	Ref. Number RVME-	\$
						M		
F666	BOOM	555A,559A,564B	2552115	4.000	2.000	I	2551403	61.99
		548A,549A,552A						
	ARCH GRAPPLE	555A,559A,564B	2552115	4.000	2.000	I	2551403	61.99
		548A,549A,552A						
		555A,559A,564B						
667C	BOOM	559B,555B,564B	2552121	4.000	2.000	I	2551403	61.99
		559B,555B,564B						
	ARCH	559B,555B,564B	2552115	4.000	2.000	I	2551403	61.99
		503B,504B,504C,509B,510B						
		510C,534B,534C,535A,536B						
667D	BOOM	536C,537A	1917220	3.500	1.750	I	1991086	40.94
		503B,504B,504C,509B,510B						
	GRAPPLE	510C,534B,534C,535A,536B	2552115	4.000	2.000	I	2551403	61.99
		536C,537A						
		503B,504B,504C,509B,510B						
STEER & BLADE	510C,534B,534C,535A,536B	1919023	3.500	1.750	I	1991086	40.94	
	536C,537A							
667D	STEER & BLADE	503B,504B,504C,509B,510B	1916232	6.000	2.750	I	1991089	91.37
		510C,534B,534C,535A,536B						
	ARCH	536C,537A	1917220	3.500	1.750	I	1991086	40.94
		503B,504B,504C,509B,510B						
		510C,534B,534C,535A,536B						
668, 688B	STEER & BLADE	536C,537A	2552361	3.500	1.750	I	2542570	66.74
		534D,534E,535D-535G						
	BOOM	536D,536E,537D-537G	2552115	4.000	2.000	I	2551403	61.99
		556G,557G						
		534D,534E,535D-535G						
BOOM	536D,536E,537D-537G	1919023	3.500	1.750	I	1991086	40.94	
	556G,557G							
668C	TILT	534D,534E,535D-535G	2552115	4.000	2.000	I	2551403	61.99
		536D,536E,537D-537G						
	STEER & BLADE	556G,557G	2518802	3.500	1.750	I	2538177	51.93
		505A,507A						
		505C,507C,532A,533A						
STEER & BLADE	538C,539C	2537607	4.000	2.000	I	2530107	42.99	
	507D,507E,532D,532E							
F668	STEER & BLADE	539D,539E	2552141	4.000	2.000	I	2551403	61.99
		565A,566A						

All manufacturer's names, part numbers and descriptions are used for reference purposes only. We do not imply that any part shown is the product of these manufacturers.

INDUSTRIAL SEAL KITS

MOBILE SEAL KITS

VOLVO-MICHIGAN-EUCLID

Remsa [KITS]

VOLVO-MICHIGAN-EUCLID

KIT LISTING

Ref. Number	Desc.	Bore	Rod	\$	Ref. Number	Desc.	Bore	Rod	\$
RVME-055361	SEAL KIT	N/A	60, 75, 90, 105, 120, 140	O/R	RVME-11709111	SEAL KIT	32.00	16.00	49.06
RVME-11000107	SEAL KIT	125.00	60.00	127.84	RVME-11709226	SEAL KIT	170.00	90.00	263.64
RVME-11370055	SEAL KIT	100.00	50.00	128.34	RVME-11709384	SEAL KIT	160.00	90.00	141.38
RVME-11370750	SEAL KIT	125.00	65.00	108.82	RVME-11709817	SEAL KIT	80.00	50.00	63.27
RVME-11370773	SEAL KIT	110.00	50.00	102.55	RVME-11709829	SEAL KIT	120.00	70.00	124.98
RVME-11370826	SEAL KIT	100.00	50.00	127.40	RVME-11709832	SEAL KIT	180.00	90.00	318.29
RVME-11700151	SEAL KIT	120.00	70.00	70.63	RVME-11709872	SEAL KIT	70.00	45.00	67.74
RVME-11700176	SEAL KIT	160.00	90.00	340.81	RVME-11709965	SEAL KIT	160.00	90.00	307.10
RVME-11701531	SEAL KIT	250.00	120.00	564.48	RVME-11709998	SEAL KIT	110.00	70.00	132.63
RVME-11701665/9	SEAL KIT	110.00	70.00	47.31	RVME-11711945	SEAL KIT	150.00	90.00	115.76
RVME-11701665-9	SEAL KIT	110.00	70.00	51.78	RVME-11712156	SEAL KIT	230.00	120.00	490.22
RVME-11702311	SEAL KIT	70.00	32.00	73.67	RVME-11712387	SEAL KIT	100.00	60.00	65.44
RVME-11702744	SEAL KIT	150.00	105.00	338.33	RVME-11712388	SEAL KIT	120.00	70.00	90.77
RVME-11702757	SEAL KIT	170.00	125.00	506.13	RVME-11714561	SEAL KIT	100.00	60.00	89.43
RVME-11703474	SEAL KIT	150.00	100.00	366.19	RVME-11715864	SEAL KIT	120.00	70.00	112.78
RVME-11703689	SEAL KIT	100.00	50.00	65.44	RVME-11715865	SEAL KIT	125.00	70.00	117.29
RVME-11703860	SEAL KIT	260.00	120.00	538.42	RVME-11990026	SEAL KIT	120.00	60.00	105.53
RVME-11704254	SEAL KIT	63.00	32.00	42.26	RVME-11990027	SEAL KIT	125.00	70.00	91.63
RVME-11705087	SEAL KIT	32.00	16.00	101.01	RVME-11990028	SEAL KIT	110.00	60.00	64.34
RVME-11705814	SEAL KIT	140.00	95.00	327.66	RVME-11990029	SEAL KIT	140.00	70.00	150.27
RVME-11705815	SEAL KIT	150.00	105.00	356.55	RVME-11990050	SEAL KIT	80.00	50.00	51.99
RVME-11705818	SEAL KIT	160.00	110.00	427.44	RVME-11990060	SEAL KIT	N/A	20.00	44.17
RVME-11705882	SEAL KIT	190.00	90.00	171.14	RVME-11990070	SEAL KIT	100.00	70.00	71.12
RVME-11707023	SEAL KIT	130.00	70.00	149.62	RVME-11990106	SEAL KIT	80.00	40.00	67.07
RVME-11707024	SEAL KIT	180.00	80.00	201.59	RVME-11990158	SEAL KIT	160.00	80.00	161.86
RVME-11707025	SEAL KIT	170.00	90.00	218.84	RVME-11990170	SEAL KIT	140.00	80.00	215.63
RVME-11707026	SEAL KIT	190.00	90.00	232.35	RVME-11990170/0	SEAL KIT	140.00	80.00	171.44
RVME-11707027	SEAL KIT	260.00	120.00	476.47	RVME-11990170-0	SEAL KIT	140.00	80.00	187.60
RVME-11707028	SEAL KIT	190.00	90.00	336.12	RVME-11990175	SEAL KIT	N/A	25.00	66.51
RVME-11707029	SEAL KIT	230.00	110.00	397.72	RVME-11990180	SEAL KIT	100.00	50.00	63.67
RVME-11707030	SEAL KIT	250.00	120.00	438.88	RVME-11990181	SEAL KIT	100.00	60.00	52.79
RVME-11707031	SEAL KIT	260.00	120.00	495.36	RVME-11990243	SEAL KIT	80.00	45.00	33.35
RVME-11707447	SEAL KIT	170.00	90.00	437.33	RVME-11990244	SEAL KIT	90.00	50.00	58.15
RVME-11707450	SEAL KIT	230.00	120.00	384.36	RVME-11990347	SEAL KIT	90.00	50.00	59.41
RVME-11707451	SEAL KIT	250.00	120.00	434.13	RVME-11990348	SEAL KIT	250.00	120.00	569.07
RVME-11707902	SEAL KIT	125.00	70.00	118.83	RVME-11990349	SEAL KIT	170.00	90.00	384.20
RVME-11707903	SEAL KIT	190.00	90.00	333.54	RVME-11990351/6	SEAL KIT	125.00	70.00	171.51
RVME-11707904	SEAL KIT	230.00	120.00	545.41	RVME-11990351-6	SEAL KIT	135.00	70.00	187.67
RVME-11707905	SEAL KIT	200.00	110.00	652.14	RVME-11990395	SEAL KIT	260.00	120.00	606.30
RVME-11708734	SEAL KIT	150.00	90.00	288.64	RVME-11990396	SEAL KIT	190.00	90.00	317.04
RVME-11708825	SEAL KIT	150.00	80.00	103.64	RVME-11990398	SEAL KIT	100.00	50.00	55.19
RVME-11708833	SEAL KIT	220.00	110.00	193.84	RVME-11990404	SEAL KIT	140.00	70.00	125.55
RVME-11709018	SEAL KIT	160.00	90.00	141.93	RVME-11990405	SEAL KIT	125.00	60.00	79.17
RVME-11709019	SEAL KIT	180.00	90.00	152.57	RVME-11990437	SEAL KIT	125.00	70.00	132.48
RVME-11709025	SEAL KIT	250.00	120.00	349.85	RVME-11990438	SEAL KIT	90.00	60.00	86.84
RVME-11709026	SEAL KIT	230.00	110.00	225.04	RVME-11990439	SEAL KIT	70.00	40.00	63.81
RVME-11709028	SEAL KIT	100.00	50.00	66.08	RVME-11991589	SEAL KIT	N/A	75, 120, 140	196.11
RVME-11709029	SEAL KIT	90.00	50.00	60.33	RVME-11993103	SEAL KIT	N/A	75, 120, 140	158.00

INDUSTRIAL SEAL KITS

MOBILE SEAL KITS

VOLVO-MICHIGAN-EUCLID

All manufacturer's names, part numbers and descriptions are used for reference purposes only. We do not imply that any part shown is the product of these manufacturers.

Remsa [KITS]

KIT LISTING

VOLVO-MICHIGAN-EUCLID

Ref. Number	Desc.	Bore	Rod	\$	Ref. Number	Desc.	Bore	Rod	\$
RVME-11993103/8	SEAL KIT	NA	75, 120, 140	149.75	RVME-14517001	SEAL KIT	130.00	90.00	143.83
RVME-11993103-8	SEAL KIT		75, 120, 140	163.87	RVME-14519359	SEAL KIT	170.00	110.00	246.25
RVME-11993411	SEAL KIT	NA	75, 95, 105, 120, 140	305.61	RVME-14519503	SEAL KIT	115.00	75.00	151.95
RVME-11997089/5	SEAL KIT	160.00	105.00	532.97	RVME-14519504	SEAL KIT	105.00	75.00	183.29
RVME-11997089-5	SEAL KIT	160.00	105.00	583.19	RVME-14519505	SEAL KIT	120.00	80.00	276.52
RVME-11997091/1	SEAL KIT	140.00	90.00	424.44	RVME-14519624	SEAL KIT	140.00	95.00	186.43
RVME-11997091-1	SEAL KIT	140.00	90.00	464.42	RVME-14522992	SEAL KIT	90.00	32.00	75.43
RVME-11997225	SEAL KIT	125.00	80.00	274.37	RVME-14523116	SEAL KIT	50.00	25.00	55.09
RVME-11997226	SEAL KIT	150.00	105.00	403.65	RVME-14523132	SEAL KIT	70.00	32.00	85.69
RVME-11997227	SEAL KIT	70.00	50.00	232.09	RVME-14530716	SEAL KIT	90.00	60.00	150.97
RVME-11998574	SEAL KIT	140.00	70.00	238.31	RVME-14530717	SEAL KIT	130.00	95.00	135.52
RVME-11998575	SEAL KIT	140.00	100.00	273.67	RVME-14530718	SEAL KIT	100.00	55.00	108.90
RVME-11998809	SEAL KIT	150.00	80.00	235.20	RVME-14530719	SEAL KIT	80.00	55.00	154.07
RVME-11998810	SEAL KIT	100.00	70.00	191.23	RVME-14530833	SEAL KIT	105.00	70.00	129.26
RVME-11999362	SEAL KIT	45.00	25.00	60.24	RVME-14541717	SEAL KIT	140.00	95.00	318.50
RVME-11999887	SEAL KIT	70.00	32.00	94.55	RVME-14547310	SEAL KIT	100.00	70.00	172.91
RVME-11999892	SEAL KIT	230.00	110.00	383.62	RVME-14589199	SEAL KIT	140.00	95.00	90.81
RVME-11999893	SEAL KIT	190.00	90.00	416.35	RVME-15012903	SEAL KIT	125.00	70.00	144.81
RVME-11999894	SEAL KIT	160.00	80.00	251.85	RVME-1991086	SEAL KIT	3.500	1.750	40.94
RVME-11999895	SEAL KIT	130.00	70.00	182.71	RVME-1991089	SEAL KIT	6.000	2.750	91.37
RVME-11999906	SEAL KIT	80.00	50.00	61.43	RVME-2516054	SEAL KIT	4.250	2.000	44.02
RVME-11999907	SEAL KIT	70.00	40.00	44.10	RVME-2516055	SEAL KIT	2.500	1.000	22.28
RVME-12724303	SEAL KIT	4.000	2.000	73.28	RVME-2516058	SEAL KIT	5.000	2.250	50.09
RVME-12724304	SEAL KIT	3.000	1.375	72.15	RVME-2516059	SEAL KIT	5.000	2.000	61.81
RVME-12724306	SEAL KIT	3.500	2.000	49.12	RVME-2516060	SEAL KIT	5.000	2.250	42.06
RVME-12743310	SEAL KIT	4.500	2.000	55.37	RVME-2516061	SEAL KIT	5.000	2.250	59.41
RVME-14510588	SEAL KIT	160.00	80.00	166.68	RVME-2516065	SEAL KIT	6.000	2.750	70.42
RVME-14510910	SEAL KIT	50.00	25.00	69.14	RVME-2516070	SEAL KIT	4.500	2.250	58.82
RVME-14510911	SEAL KIT	70.00	32.00	97.39	RVME-2516071	SEAL KIT	3.500	1.750	46.65
RVME-14510912	SEAL KIT	90.00	32.00	81.02	RVME-2516072	SEAL KIT	3.500	1.750	34.80
RVME-14512948	SEAL KIT	160.00	105.00	318.76	RVME-2516073	SEAL KIT	3.500	2.000	43.00
RVME-14512950	SEAL KIT	175.00	115.00	562.97	RVME-2516088	SEAL KIT	4.000	2.000	61.74
RVME-14512955	SEAL KIT	160.00	105.00	232.38	RVME-2516090	SEAL KIT	4.000	2.000	41.02
RVME-14512961	SEAL KIT	145.00	100.00	499.46	RVME-2516094	SEAL KIT	5.250	2.250	60.48
RVME-14513714	SEAL KIT	140.00	95.00	316.64	RVME-2516148	SEAL KIT	7.000	2.750	92.39
RVME-14513715	SEAL KIT	150.00	105.00	324.27	RVME-2516151	SEAL KIT	4.500	2.000	40.48
RVME-14513726	SEAL KIT	165.00	110.00	357.04	RVME-2516152	SEAL KIT	4.500	2.250	53.20
RVME-14513727	SEAL KIT	190.00	130.00	362.94	RVME-2516155	SEAL KIT	7.000	2.750	133.08
RVME-14514454	SEAL KIT	130.00	90.00	220.09	RVME-2516156	SEAL KIT	5.250	2.250	47.88
RVME-14514455	SEAL KIT	135.00	90.00	318.17	RVME-2516187	SEAL KIT	8.000	3.500	103.16
RVME-14514456	SEAL KIT	160.00	105.00	325.18	RVME-2516228	SEAL KIT	9.000	3.500	118.05
RVME-14514457	SEAL KIT	140.00	100.00	302.83	RVME-2516230	SEAL KIT	9.000	4.500	149.67
RVME-14515051	SEAL KIT	125.00	80.00	189.25	RVME-2516242	SEAL KIT	9.000	3.500	134.83
RVME-14515052	SEAL KIT	135.00	95.00	207.96	RVME-2516270	SEAL KIT	3.500	1.750	46.99
RVME-14515053	SEAL KIT	120.00	80.00	192.69	RVME-2516271	SEAL KIT	4.500	2.000	48.49
RVME-14516932	SEAL KIT	105.00	70.00	138.48	RVME-2516272	SEAL KIT	2.500	1.250	23.54
RVME-14516933	SEAL KIT	110.00	70.00	183.60	RVME-2516274	SEAL KIT	5.250	2.250	49.89
RVME-14516934	SEAL KIT	160.00	90.00	186.03	RVME-2518493	SEAL KIT	6.000	2.750	84.32

All manufacturer's names, part numbers and descriptions are used for reference purposes only. We do not imply that any part shown is the product of these manufacturers.

INDUSTRIAL SEAL KITS

MOBILE SEAL KITS

VOLVO-MICHIGAN-EUCLID

VOLVO-MICHIGAN-EUCLID

KIT LISTING

Ref. Number	Desc.	Bore	Rod	\$	Ref. Number	Desc.	Bore	Rod	\$
RVME-2518494	SEAL KIT	7.000	2.750	125.42	RVME-6630510	SEAL KIT	170.00	80.00	180.34
RVME-2525952	SEAL KIT	9.000	4.500	267.55	RVME-6630511	SEAL KIT	110.00	50.00	62.36
RVME-2526058	SEAL KIT	7.000	2.750	87.82	RVME-6630513	SEAL KIT	100.00	50.00	62.92
RVME-2530107	SEAL KIT	4.000	2.000	42.99	RVME-6630560	SEAL KIT	80.00	40.00	85.02
RVME-2530108	SEAL KIT	5.000	2.250	51.29	RVME-6630562	SEAL KIT	100.00	50.00	59.80
RVME-2538174	SEAL KIT	3.500	1.750	34.87	RVME-6630564	SEAL KIT	100.00	50.00	73.56
RVME-2538177	SEAL KIT	3.500	1.750	51.93	RVME-6630574	SEAL KIT	75.00	36.00	45.09
RVME-2538178	SEAL KIT	4.500	2.000	44.98	RVME-6630637-4	SEAL KIT	110.00	60.00	141.09
RVME-2538179	SEAL KIT	4.500	2.250	48.13	RVME-6630650	SEAL KIT	140.00	70.00	97.31
RVME-2538180	SEAL KIT	9.000	3.500	154.25	RVME-6630661	SEAL KIT	63.00	32.00	80.75
RVME-2538181	SEAL KIT	5.250	2.250	60.42	RVME-6630662	SEAL KIT	80.00	40.00	52.05
RVME-2538182	SEAL KIT	6.000	2.750	74.24	RVME-6630749	SEAL KIT	63.00	28.00	68.05
RVME-2538183	SEAL KIT	7.000	2.750	78.25	RVME-6630839	SEAL KIT	60, 75, 90, 105, 120, 140		257.90
RVME-2538184	SEAL KIT	3.500	2.000	64.70	RVME-6630843	SEAL KIT	100.00	60.00	54.49
RVME-2538186	SEAL KIT	8.000	3.500	166.30	RVME-6630843/8	SEAL KIT	100.00	60.00	53.23
RVME-2538187	SEAL KIT	5.000	2.750	50.77	RVME-6630843-8	SEAL KIT	100.00	60.00	58.24
RVME-2538193	SEAL KIT	9.000	4.000	164.25	RVME-6630852	SEAL KIT	75, 90, 105, 120, 140, 160		291.17
RVME-2541637	SEAL KIT	7.000	3.000	94.76	RVME-6630858	SEAL KIT	90.00	50.00	51.68
RVME-2542568	SEAL KIT	6.000	2.750	197.44	RVME-6630909	SEAL KIT	70.00	36.00	53.14
RVME-2542569	SEAL KIT	5.000	2.750	74.30	RVME-6630938	SEAL KIT	140.00	70.00	106.39
RVME-2542570	SEAL KIT	3.500	1.750	66.74	RVME-814810131	SEAL KIT	140.00	100.00	160.50
RVME-2542571	SEAL KIT	7.000	3.000	168.36	RVME-814810151	SEAL KIT	130.00	90.00	191.68
RVME-2542572	SEAL KIT	9.000	4.500	263.42	RVME-814816020	SEAL KIT	160.00	105.00	407.09
RVME-2542573	SEAL KIT	10.500	5.000	508.10	RVME-814816030	SEAL KIT	150.00	105.00	337.66
RVME-2542574	SEAL KIT	9.000	4.000	305.61	RVME-814816040	SEAL KIT	170.00	115.00	476.04
RVME-2542576	SEAL KIT	4.500	2.250	70.08	RVME-814816130	SEAL KIT	160.00	105.00	407.09
RVME-2542577	SEAL KIT	5.000	2.250	84.05	RVME-814816140	SEAL KIT	170.00	115.00	476.04
RVME-2551396	SEAL KIT	9.000	3.500	225.64	RVME-814816150	SEAL KIT	150.00	105.00	337.66
RVME-2551397	SEAL KIT	7.000	2.750	137.47					
RVME-2551398	SEAL KIT	4.500	2.000	65.09					
RVME-2551399	SEAL KIT	5.250	2.250	94.32					
RVME-2551403	SEAL KIT	4.000	2.000	61.99					
RVME-2562115	SEAL KIT	5.000	2.750	177.03					
RVME-2562116	SEAL KIT	7.500	3.500	194.58					
RVME-2562117	SEAL KIT	9.000	4.500	272.59					
RVME-2906622	SEAL KIT	70.00	32.00	68.26					
RVME-2907070	SEAL KIT	85.00	50.00	105.67					
RVME-2907081	SEAL KIT	80.00	45.00	88.72					
RVME-2907091	SEAL KIT	100.00	55.00	130.03					
RVME-2907389	SEAL KIT	125.00	63.00	140.43					
RVME-2907415	SEAL KIT	110.00	50.00	118.13					
RVME-6213407	SEAL KIT	N/A	70, 105, 120, 140	307.22					
RVME-6630100	SEAL KIT	70, 105, 120, 140		256.32					
RVME-6630443	SEAL KIT	100.00	70.00	56.34					
RVME-6630443/7	SEAL KIT	100.00	70.00	51.60					
RVME-6630443-7	SEAL KIT	100.00	70.00	56.46					
RVME-6630475	SEAL KIT	N/A	20.00	38.12					
RVME-6630498-1	SEAL KIT	140.00	70.00	63.84					

INDUSTRIAL
SEAL KITS

MOBILE
SEAL KITS

VOLVO-MICHIGAN-EUCLID

All manufacturer's names, part numbers and descriptions are used for reference purposes only. We do not imply that any part shown is the product of these manufacturers.

Remsa [KITS]

TELESCOPIC CYLINDERS

WARD

V.set & Wiper

Bearings - Bottom - Nylon

Ref. Number	Desc.	\$
RWAR-02950VW	02.950" STAGE - V.SET & WIPER	18.72
RWAR-03950VW	03.950" STAGE - V.SET & WIPER	22.78
RWAR-04950VW	04.950" STAGE - V.SET & WIPER	28.92
RWAR-05950VW	05.950" STAGE - V.SET & WIPER	36.55
RWAR-06950VW	06.950" STAGE - V.SET & WIPER	44.51
RWAR-07950VW	07.950" STAGE - V.SET & WIPER	53.51
RWAR-08950VW	08.950" STAGE - V.SET & WIPER	71.65

Ref. Number	Desc.	\$
RWAR-03950BRS	03.950" STAGE - BTM. BEARING	43.72
RWAR-04950BRS	04.950" STAGE - BTM. BEARING	49.50
RWAR-05950BRS	05.950" STAGE - BTM. BEARING	51.78
RWAR-06950BRS	06.950" STAGE - BTM. BEARING	71.57
RWAR-07950BRS	07.950" STAGE - BTM. BEARING	89.60
RWAR-08950BRS	08.950" STAGE - BTM. BEARING	90.83

Bearings - Top - Nylon

Piston Wear Rings - Nylon

Ref. Number	Desc.	\$
RWAR-03950BRF	03.950" STAGE - TOP BEARING	43.72
RWAR-04950BRF	04.950" STAGE - TOP BEARING	49.50
RWAR-05950BRF	05.950" STAGE - TOP BEARING	51.78
RWAR-06950BRF	06.950" STAGE - TOP BEARING	71.57
RWAR-07950BRF	07.950" STAGE - TOP BEARING	89.60
RWAR-08950BRF	08.950" STAGE - TOP BEARING	90.83

Ref. Number	Desc.	\$
RWAR-310/737/40	03.950" STAGE - PISTON W.RING	3.92
RWAR-310/737/50	04.950" STAGE - PISTON W.RING	3.92
RWAR-310/764/60	05.950" STAGE - PISTON W.RING	5.14
RWAR-310/764/70	06.950" STAGE - PISTON W.RING	6.00
RWAR-310/764/80	07.950" STAGE - PISTON W.RING	8.83
RWAR-310/764/90	08.950" STAGE - PISTON W.RING	10.49

Piston Ring - Cast Iron

(Double acting cylinders only)

Multi-stage kits

(Double acting cylinders only)

Ref. Number	Desc.	\$
RWAR-505/066/17	03.950" STAGE - PISTON RING	10.93
RWAR-505/066/24	04.950" STAGE - PISTON RING	15.24
RWAR-505/066/28	05.950" STAGE - PISTON RING	17.62
RWAR-505/066/35	06.950" STAGE - PISTON RING	37.63
RWAR-505/066/38	07.950" STAGE - PISTON RING	41.95
RWAR-505/066/40	08.950" STAGE - PISTON RING	129.79

Ref. Number	Desc.	\$
RWAR-48	04.000"-08.000" VEE SETS & WIPERS	188.64
RWAR-49	04.000"-09.000" VEE SETS & WIPERS	261.20
RWAR-BNB48	04.000"-08.000" BOTTOM BEARINGS	325.12
RWAR-BNB49	04.000"-09.000" BOTTOM BEARINGS	415.85
RWAR-PR48	04.500"-08.500" PISTON RINGS	204.93
RWAR-PR49	04.500"-09.500" PISTON RINGS	314.28
RWAR-SR48	04.000"-08.000" SNAP RINGS	377.38
RWAR-SR49	04.000"-09.000" SNAP RINGS	475.65
RWAR-TNB48	04.000"-08.000" TOP BEARINGS	305.79
RWAR-RNB49	04.000"-09.000" TOP BEARINGS	396.63
RWAR-WR48	04.500"-08.500" PISTON WEAR RINGS	83.48
RWAR-WR49	04.500"-09.500" PISTON WEAR RINGS	111.77

All manufacturer's names, part numbers and descriptions are used for reference purposes only. We do not imply that any part shown is the product of these manufacturers.

YUTANI

TRACKED EXCAVATOR

Model	Application	Serial Number	Cylinder Number	Bore	Rod	I	Ref. Number RYUT-	\$	
						M			
MD-120LC	ARM		2438U983F1		80.00	M	2438U925R100	112.93	
	BOOM (LH)		2438U923F1		70.00	M	2438U922R100	89.39	
	BOOM (RH)		2438U922F1		70.00	M	2438U922R100	89.39	
	BUCKET			2438U897F1		65.00	M	2438U897R100	75.19
				2438U897F1	100.00		M	2438U897R110	84.41
MD-140BLC	ARM		2438U973F1		80.00	M	2438U973R100	147.18	
			2438U973F1	120.00		M	2438U973R200	195.86	
	BOOM (RH)		2438U971F2		70.00	M	2438U971R100	92.26	
			2438U971F2	105.00		M	2438U971R200	139.41	
	BOOM (LH)		2438U972F2		70.00	M	2438U971R100	92.26	
		2438U972F2	105.00		M	2438U971R200	139.41		
MD-180LC	BUCKET		2438U974F1		65.00	M	2438U974R100	74.00	
			2438U974F1	100.00		M	2438U974R200	142.78	
	ARM		2438U921F1		95.00	M	2438U921R100	93.31	
			2438U921F2						
			2438U921F1	145.00		M	2438U921R110	179.31	
		2438U921F2							
	BOOM		2438U914D1F1		85.00	M	2438U914R100	99.82	
			2438U914D2F1		85.00	M	2438U914R100	99.82	
	BOOM (RH)		2438U980F1		85.00	M	2438U914R100	99.82	
	BOOM (LH)		2438U981F1		85.00	M	2438U914R100	99.82	
BUCKET		2438U915F1		75.00	M	2438U915R100	75.43		
MD-200BLC			2438U915F1	120.00		M	2438U915R110	142.96	
	ARM		2438U941F1		100.00	M	2438U941R100	260.58	
			2438U941F1	145.00		M	2438U941R200	246.28	
	BOOM (LH)		2438U996F1		85.00	M	2438U996R100	114.57	
			2438U996F1	125.00		M	2438U996R200	241.01	
	BOOM (RH)		2438U997F1		85.00	M	2438U996R100	114.57	
			2438U997F1	125.00		M	2438U996R200	241.01	
BUCKET		2438U995F1		80.00	M	2438U995R100	112.81		
		2438U995F1	120.00		M	2438U995R200	208.18		
MD-240BLC	ARM		2438U953F1		105.00	M	2438U953R100	223.54	
			2438U953F1	150.00		M	2438U953R200	205.32	
	BOOM (RH)		2438U999F1		90.00	M	2438U999R100	110.02	
			2438U999F1	140.00		M	2438U999R200	211.90	
	BOOM (LH)		2438U1000F1		90.00	M	2438U999R100	110.02	
			2438U1000F1	140.00		M	2438U999R200	211.90	
	BUCKET		2438U959F1		85.00	M	2438U959R100	118.36	
			2438U959F1	130.00		M	2438U959R200	157.99	

All manufacturer's names, part numbers and descriptions are used for reference purposes only. We do not imply that any part shown is the product of these manufacturers.

TRACKED EXCAVATOR

YUTANI

Model	Application	Serial Number	Cylinder Number	Bore	Rod	I	Ref. Number RYUT-	\$
						M		
MD-300LC	ARM		2438U1323F1	160.00	110.00	M	2438U1323R100	228.72
			2438U1323F1			M	2438U1323R110	281.83
	BOOM		2438U776F1	150.00	95.00	M	2438U776R100	135.87
			2438U776F1			M	2438U776R110	219.84
	BUCKET		2438U1324F1	150.00	100.00	M	2438U1324R100	187.40
			2438U1324F1			M	2438U1324R110	166.62
MD-450BLC	ARM		2438U1029F1	180.00	130.00	M	2438U1029R100	203.78
			2438U1029F1			M	2438U1029R200	224.90
	BOOM		2438U1028D1F1	170.00	110.00	M	2438U1028R100	126.32
			2438U1028D1F1			M	2438U1028R200	313.01
			2438U1028D2F1	170.00	110.00	M	2438U1028R100	126.32
			2438U1028D2F1			M	2438U1028R200	313.01
BUCKET		2438U1030F1	170.00	120.00	M	2438U1030R100	157.50	
		2438U1030F1			M	2438U1030R200	313.01	
		2438U1030F1			M	2438U1030R200	313.01	

KIT LISTING

YUTANI

Ref. Number	Desc.	Bore	Rod	\$	Ref. Number	Desc.	Bore	Rod	\$
RYUT-2438U1028R100	SEAL KIT	N/A	110.00	126.32	RYUT-2438U925R100	SEAL KIT	N/A	80.00	112.93
RYUT-2438U1028R200	SEAL KIT	170.00	N/A	313.01	RYUT-2438U928R100	SEAL KIT	N/A	80.00	130.38
RYUT-2438U1029R100	SEAL KIT	N/A	130.00	203.78	RYUT-2438U941R100	SEAL KIT	N/A	100.00	260.58
RYUT-2438U1029R200	SEAL KIT	180.00	N/A	224.90	RYUT-2438U941R200	SEAL KIT	145.00	N/A	246.28
RYUT-2438U1030R100	SEAL KIT	N/A	120.00	157.50	RYUT-2438U953R100	SEAL KIT	N/A	105.00	223.54
RYUT-2438U1030R200	SEAL KIT	170.00	N/A	313.01	RYUT-2438U953R200	SEAL KIT	150.00	N/A	205.32
RYUT-2438U1323R100	SEAL KIT	N/A	110.00	228.72	RYUT-2438U959R100	SEAL KIT	N/A	85.00	118.36
RYUT-2438U1323R110	SEAL KIT	160.00	N/A	281.83	RYUT-2438U959R200	SEAL KIT	130.00	N/A	157.99
RYUT-2438U1324R100	SEAL KIT	N/A	100.00	187.40	RYUT-2438U971R100	SEAL KIT	N/A	70.00	92.26
RYUT-2438U1324R110	SEAL KIT	150.00	N/A	166.62	RYUT-2438U971R200	SEAL KIT	105.00	N/A	139.41
RYUT-2438U776R100	SEAL KIT	N/A	95.00	135.87	RYUT-2438U973R100	SEAL KIT	N/A	80.00	147.18
RYUT-2438U776R110	SEAL KIT	150.00	N/A	219.84	RYUT-2438U973R200	SEAL KIT	120.00	N/A	195.86
RYUT-2438U897R100	SEAL KIT	N/A	65.00	75.19	RYUT-2438U974R100	SEAL KIT	N/A	65.00	74.00
RYUT-2438U897R110	SEAL KIT	100.00	N/A	84.41	RYUT-2438U974R200	SEAL KIT	100.00	N/A	142.78
RYUT-2438U914R100	SEAL KIT	N/A	85.00	99.82	RYUT-2438U985R200	SEAL KIT	180.00	N/A	245.10
RYUT-2438U915R100	SEAL KIT	N/A	75.00	75.43	RYUT-2438U995R100	SEAL KIT	N/A	80.00	112.81
RYUT-2438U915R110	SEAL KIT	120.00	N/A	142.96	RYUT-2438U995R200	SEAL KIT	120.00	N/A	208.18
RYUT-2438U921R100	SEAL KIT	N/A	95.00	93.31	RYUT-2438U996R100	SEAL KIT	N/A	85.00	114.57
RYUT-2438U921R110	SEAL KIT	145.00	N/A	179.31	RYUT-2438U996R200	SEAL KIT	125.00	N/A	241.01
RYUT-2438U922R100	SEAL KIT	N/A	70.00	89.39	RYUT-2438U999R100	SEAL KIT	N/A	90.00	110.02
					RYUT-2438U999R200	SEAL KIT	140.00	N/A	211.90

All manufacturer's names, part numbers and descriptions are used for reference purposes only. We do not imply that any part shown is the product of these manufacturers.

INDUSTRIAL SEAL KITS

MOBILE SEAL KITS

YUTANI

YOUNG

KITS

Ref. Number	Desc.	Bore	Rod	\$	Ref. Number	Desc.	Bore	Rod	\$
RYOU-13992P	VALVE SEAL KIT	N/A	N/A	5.94	RYOU-587V111U	SEAL KIT	7.500	4.500	267.69
RYOU-17722	SEAL KIT	6.500	4.000	270.45	RYOU-587V131U	SEAL KIT	8.000	4.500	269.18
RYOU-20053	SEAL KIT	5.000	2.500	124.66	RYOU-587V142	SEAL KIT	6.250	4.250	83.11
RYOU-587U112U	SEAL KIT	9.000	5.000	320.77	RYOU-587V176	SEAL KIT	7.000	4.500	398.85
RYOU-587V107	SEAL KIT	6.000	3.500	270.44	RYOU-587V42	SEAL KIT	7.000	4.500	291.94
					RYOU-587V519	SEAL KIT	5.000	3.000	136.76

INDUSTRIAL
SEAL KITS

MOBILE
SEAL KITS



All manufacturer's names, part numbers and descriptions are used for reference purposes only. We do not imply that any part shown is the product of these manufacturers.

YOUNG

Remsa [KITS]

INDUSTRIAL
SEAL KITS

MOBILE
SEAL KITS

